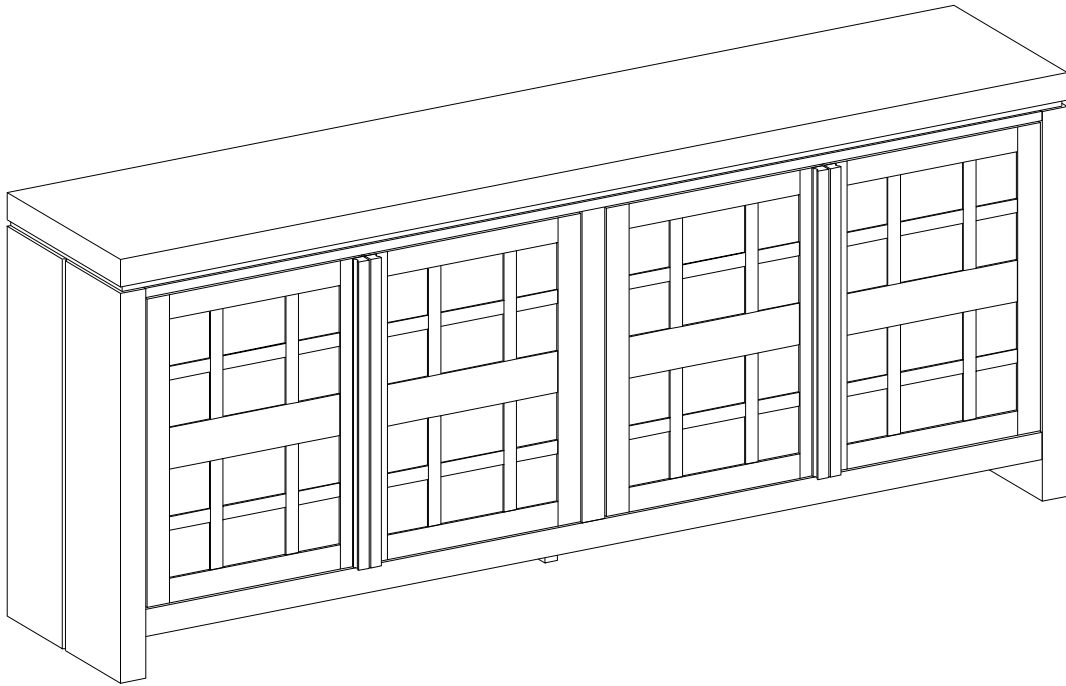


WALKER EDISON
TM

Sideboard

SKU# WEBKR11742



For Residential Use Only

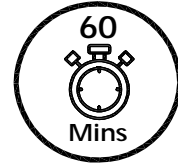
Please visit our website for the most current instructions, assembly tips, report damage, or request parts. www.walkeredison.com



Time to get started

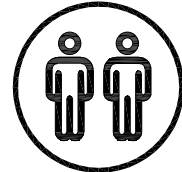
Set up a clean and soft workplace to get started and avoid damage during the assembly. It also helps to double-check that you've got all the pieces and parts before diving in to assembly.

Estimated time for assembly



People recommended for assembly

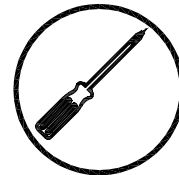
Make it a team effort! Grab a friend for quicker, easier assembly.



2 People Build

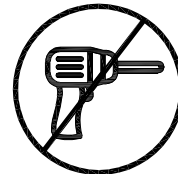
Tools Needed

Grab a Phillips head screwdriver to conquer this assembly



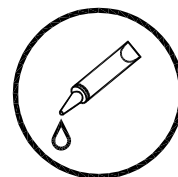
Use power tools with caution

You can cause cracking or damage to the material and easily strip the hardware. If you choose to use a power tool, your product will no longer be covered under Walker Edison's warranty.



Glue is provided to secure wood dowels in place

When inserting dowels, locate the appropriate hole, place a small amount of glue in the hole, and then insert the dowel. Wipe away excess glue immediately.

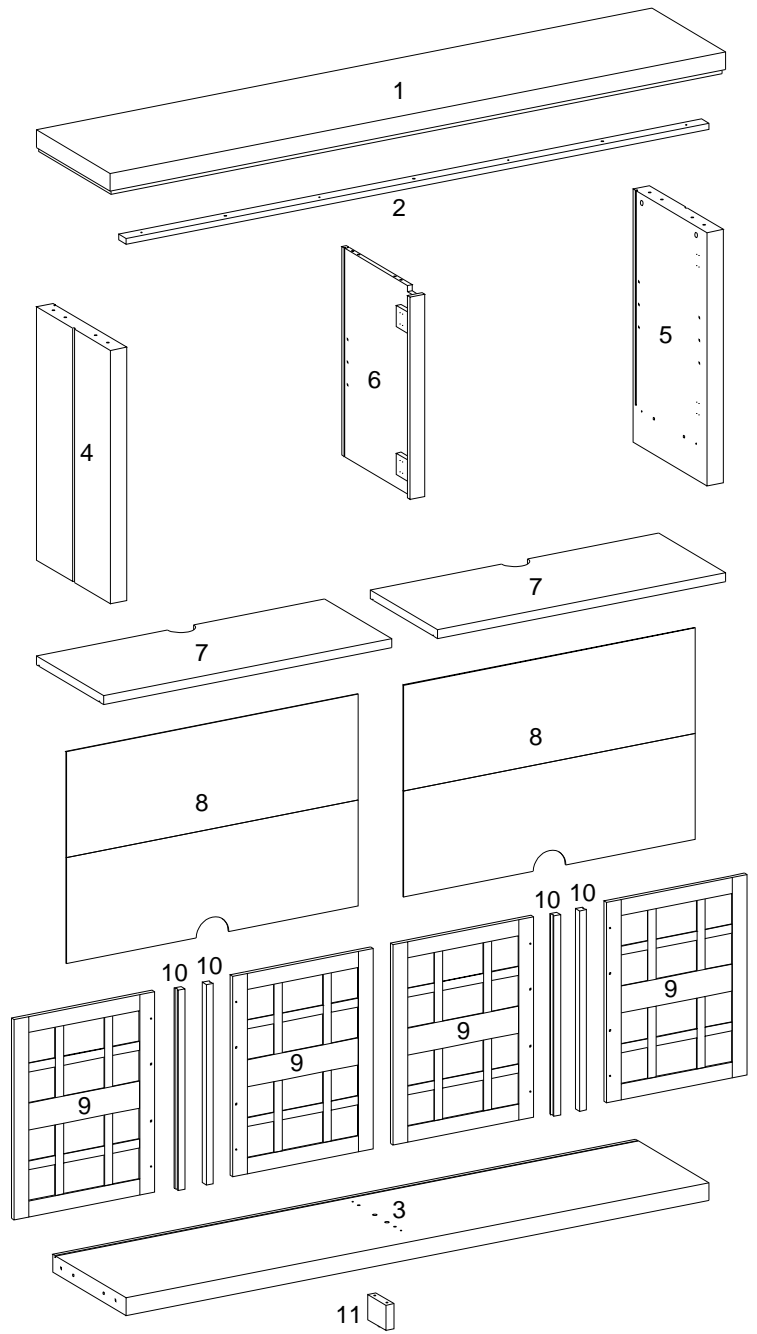


Scan to get assembly tips and help!




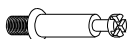








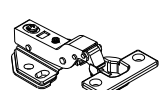
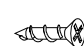

Parts List

Part Number	Description	Quantity
1	Top Panel	1
2	Top Rail	1
3	Bottom Panel	1
4	Left Side Panel	1
5	Right Side Panel	1
6	Divider Panel	1
7	Adjustable Shelf	2
8	Back Panel	2
9	Door Panel	4
10	Handle	4
11	Middle Foot	1



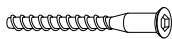
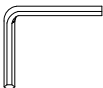
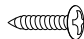






Hardware List

Part	Size	Name	Quantity
A	 8x30mm	Wooden dowel	15
B	 6x35mm	Cam bolt	12
C	 15x11mm	Cam lock	12
D	 30mm	Sticker	15
E	 6x20mm	Wooden dowel	8
F	 4x25mm	Screw	4
G		Plastic wedge	16
H	 3x17mm	Screw	16
J	 8x5x16mm	Shelf support pin	8
K	 12x2mm	Rubber pad	4
L	 26mm	Hinge	8
M	 3.5x15mm	Screw	48
N	 4x20mm	Handle Bolt	8



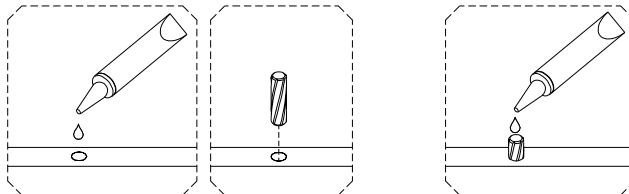
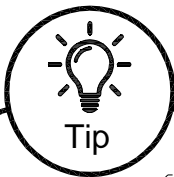
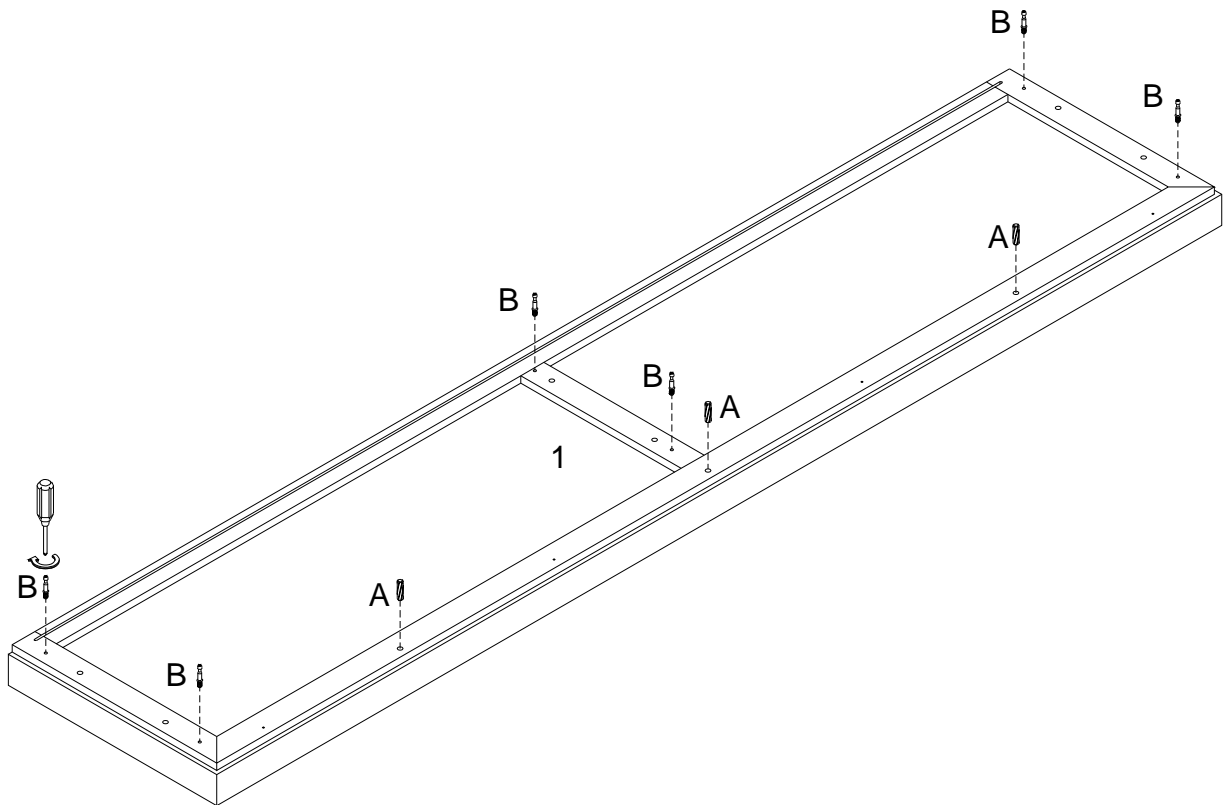
Hardware List

Part		Size	Name	Quantity
P		6x50mm	Screw	2
Q		M 4mm	Hex key	1
R		4x12mm	Screw	2
S		4x25mm	Screw	2
T			Plastic strap	2
U			Wall Anchor	2
V			Glue tube	2

*The hardware quantities listed above are required for proper assembly.
Extra hardware pieces may be included.*

Step 1

Let's get started! Using a Phillips head screwdriver, screw the cam bolts (B) into the Top Panel (1). Then, insert wooden dowels (A).

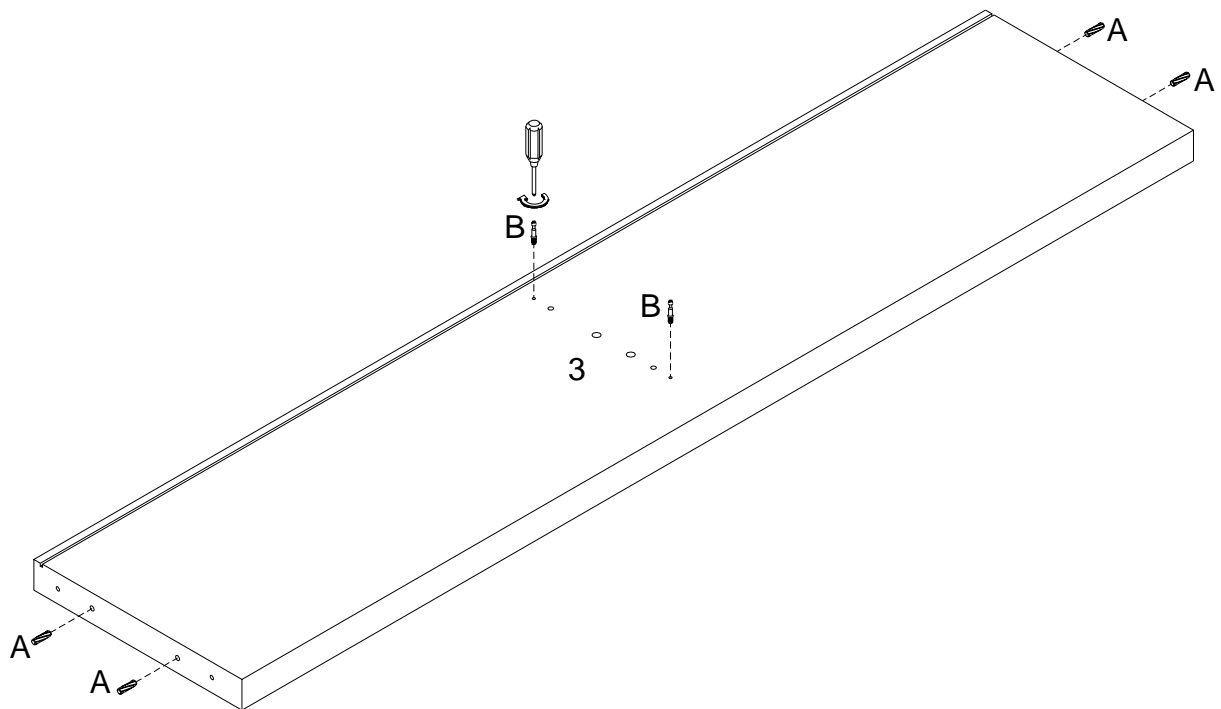


1: The provided glue is to secure wood dowels in place. When first inserting dowels, locate the appropriate hole for the dowel, place a small amount of glue in the hole and insert the dowel. Wipe away excess glue immediately.

2: In future assembly steps when dowels are necessary to attach assembly parts together, place a small amount of glue on the end of the dowel before attaching parts together. Wipe away excess glue immediately.

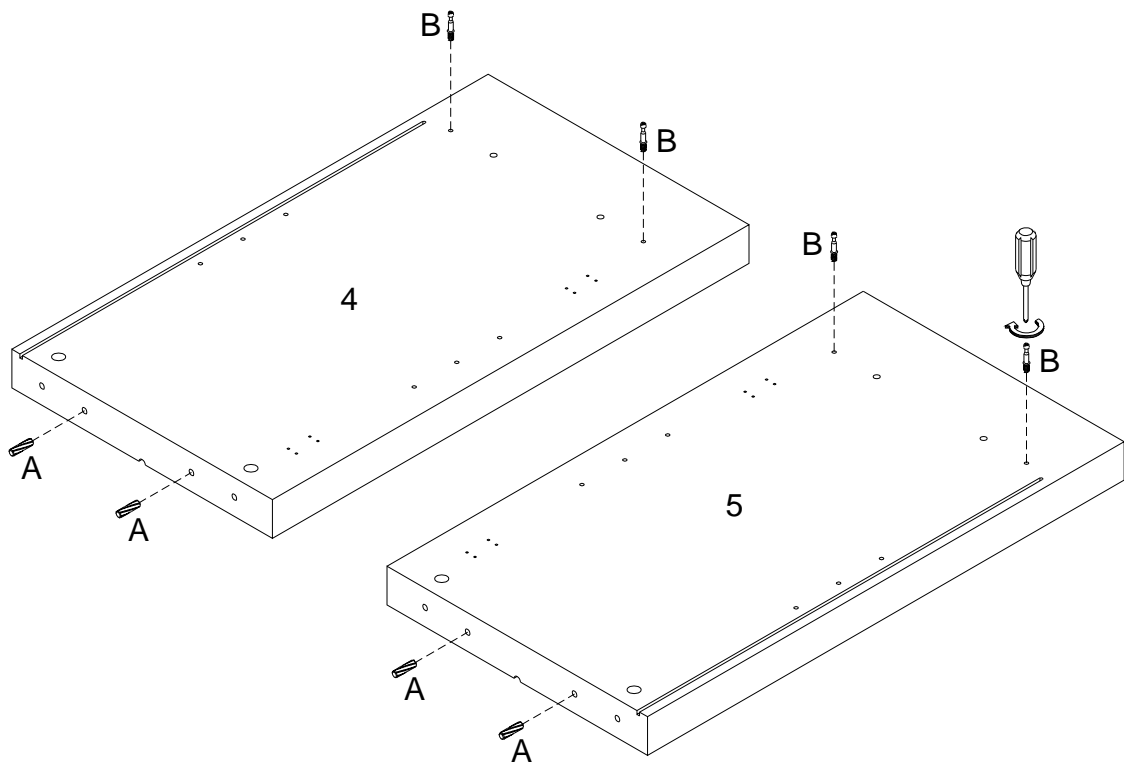
Step 2

Insert wooden dowels (A) and cam bolts (B) into the Bottom Panel (3).



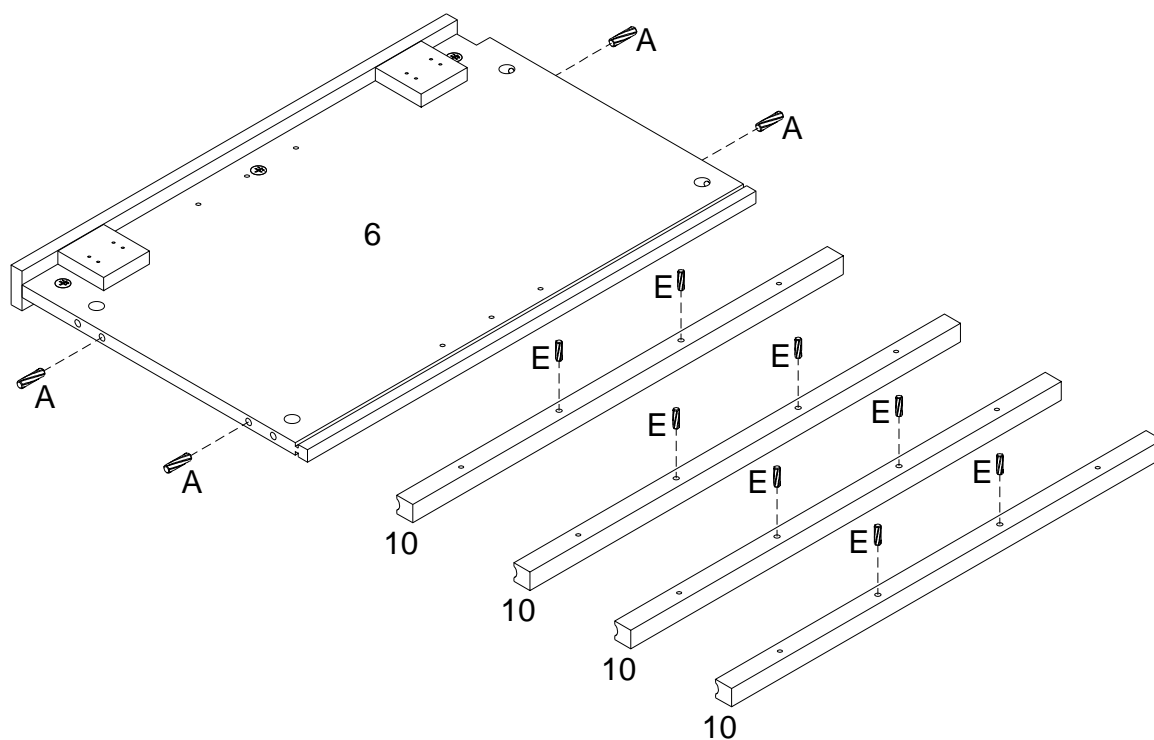
Step 3

Now, screw in cam bolts (B) into both the Left Side Panel (4) and the Right Side Panel (5). Then, insert wooden dowels (A) into both pieces.

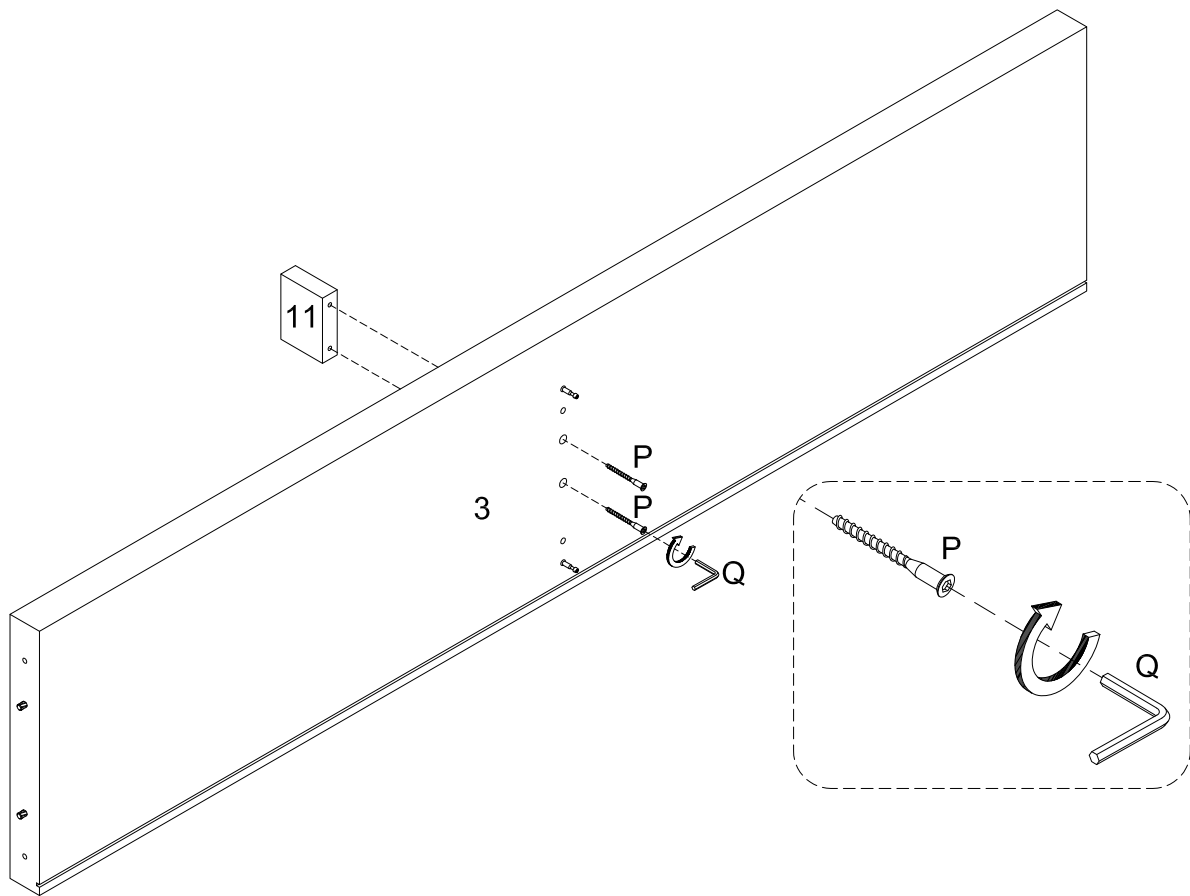


Step 4

Insert the (A) wooden dowels into the Middle Side Panel (6) and the (E) wooden dowels into each Handle (10).

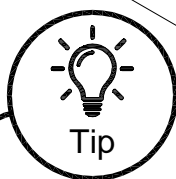
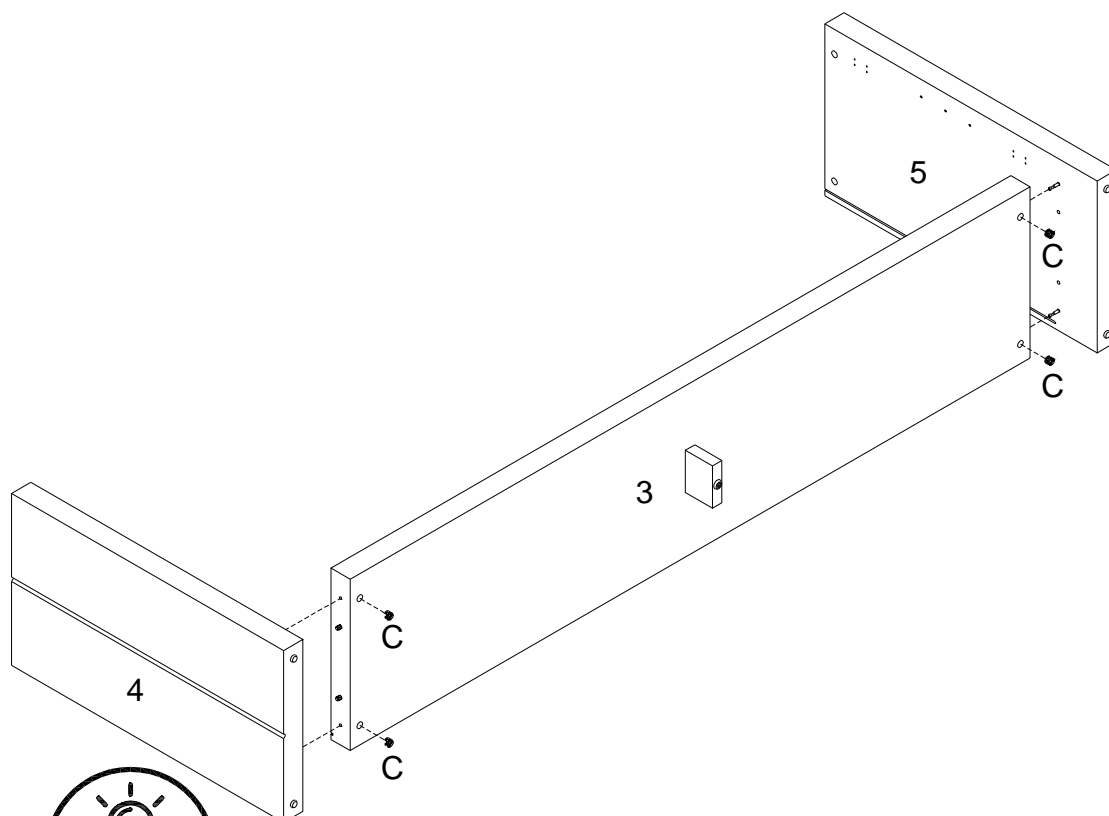


Step 5



Step 6

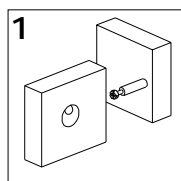
Using the cam bolts (B), attach the Left Side Panel (4) and the Right Side Panel (5) to the Bottom Panel (3). Insert cam locks (C) and tighten with a screwdriver.



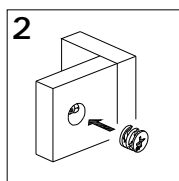
Tip

Cam Locks

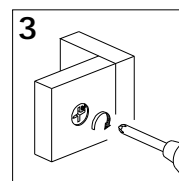
Cam Locks help securely join two pieces together. Follow these easy steps.



1: Insert Cam Bolt into bolt holes on the flat side. Don't over tighten!



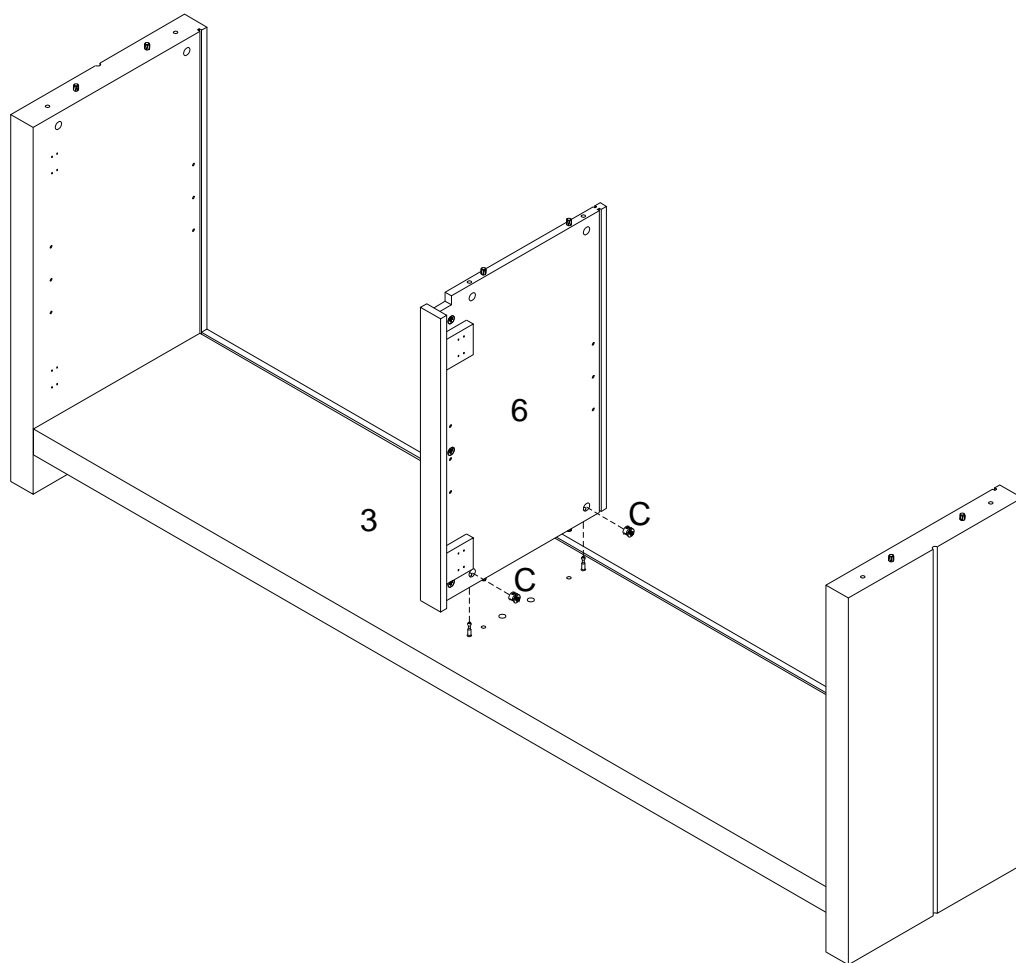
2: Fit the proper holes on the edge of the other part over the Cam Bolts. You should be able to see the cam bolts through the larger hole on the side.



3: On the back of the Cam Lock will be a "C" shape. Insert the Cam Lock so the opening of the "C" fits over the Cam Bolt. Tighten with the screwdriver.

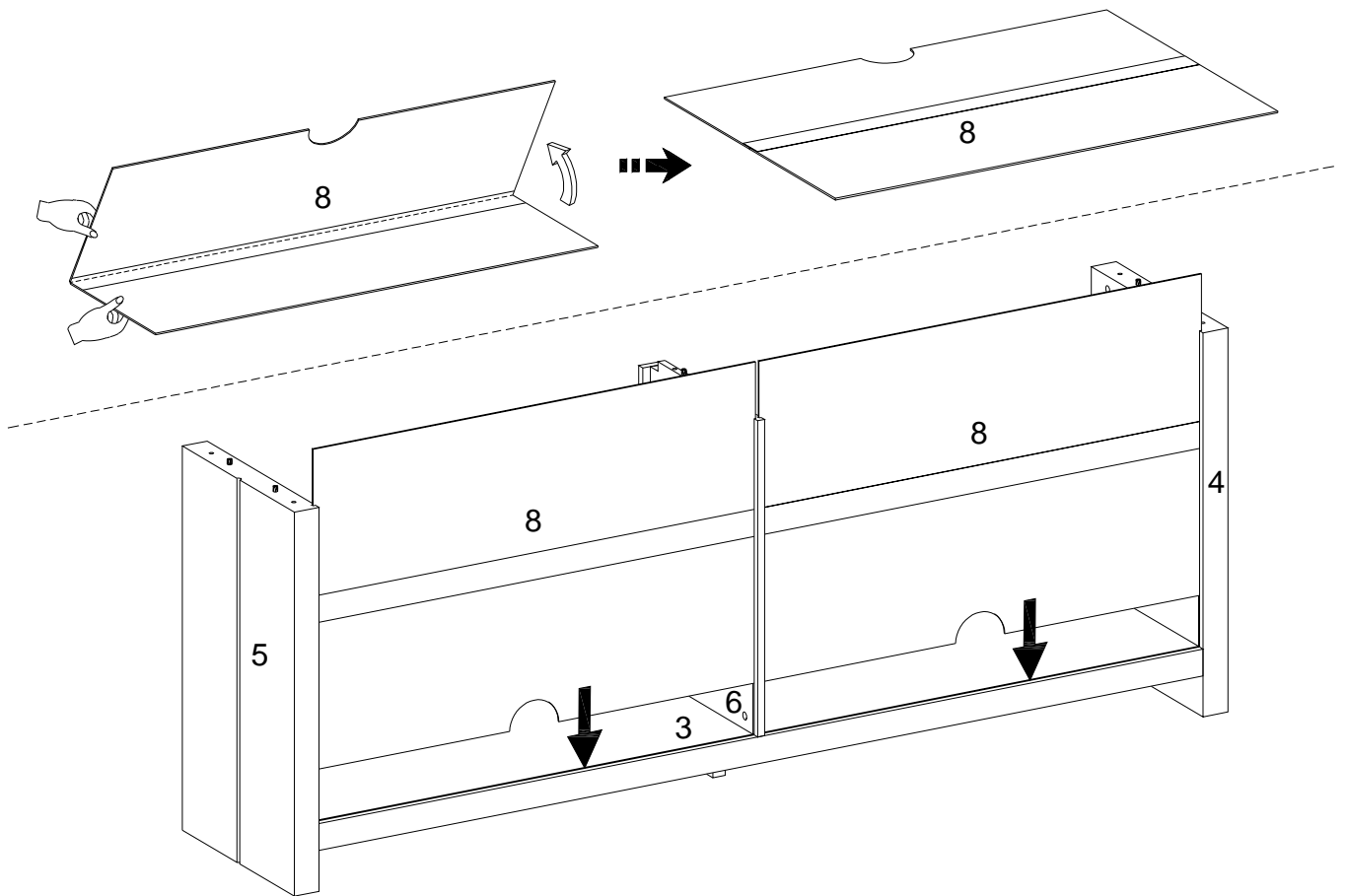
Step 7

Next, attach the Divider Panel (6) to the Bottom Panel (3).
Insert cam locks (C) and tighten with a screwdriver.



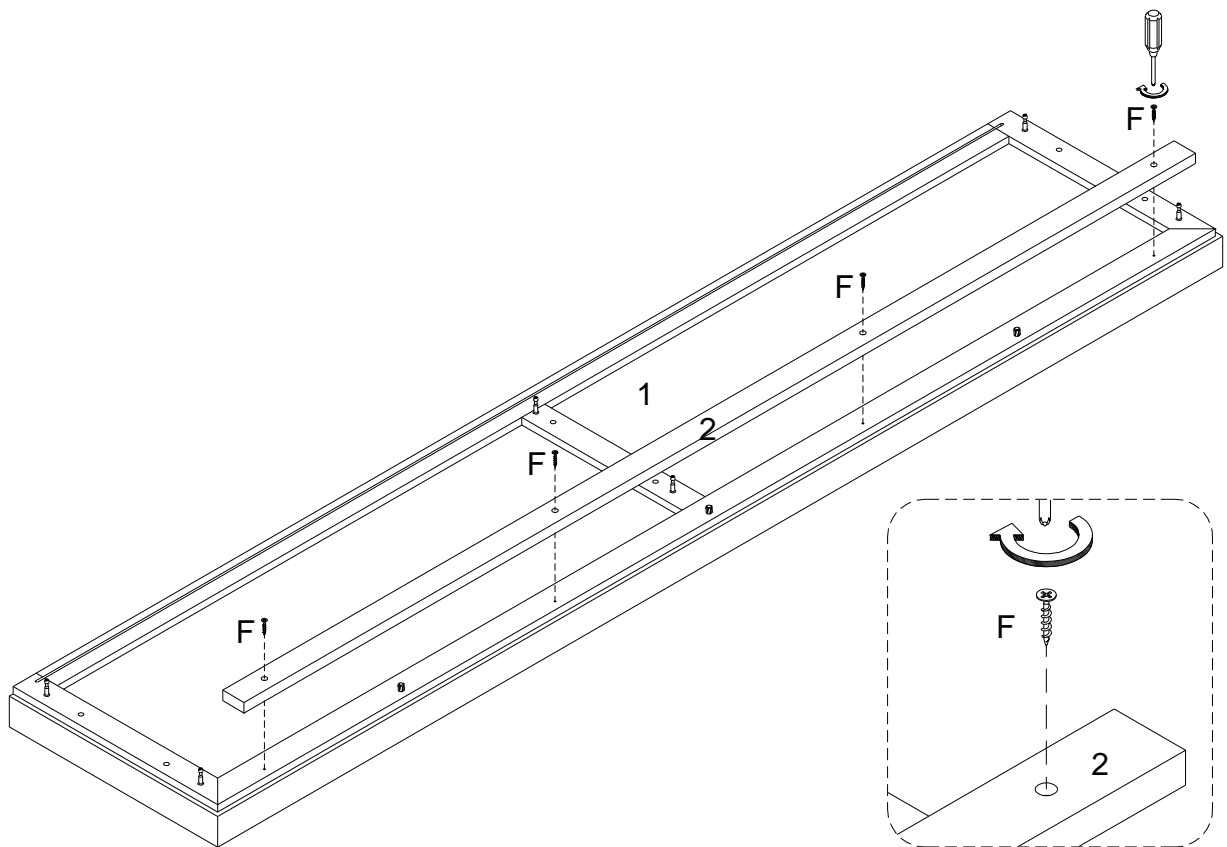
Step 8

Unfold both Back Panels (8) and slide into place using the grooves as your guide.



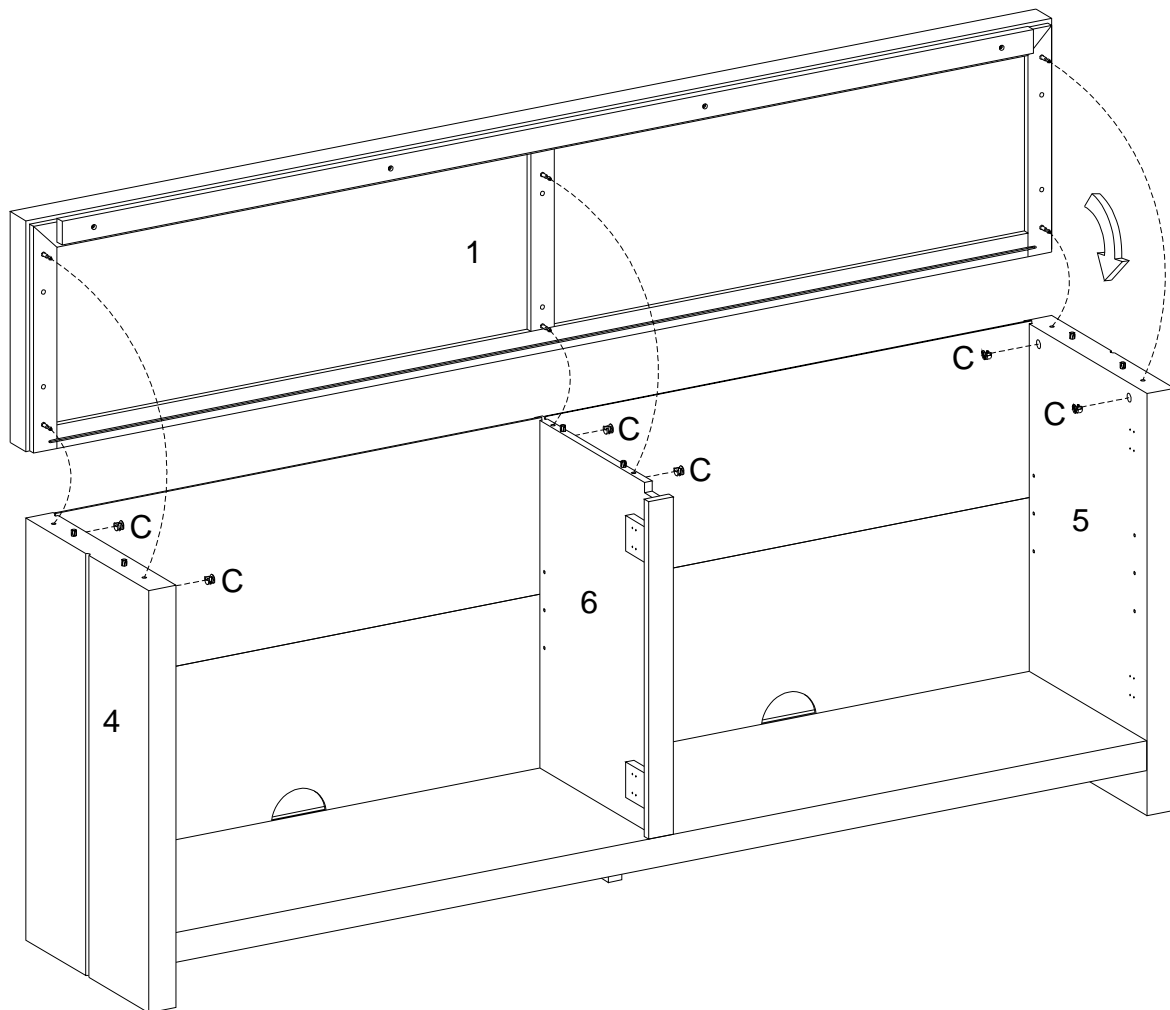
Step 9

Attach the Top Rail (2) to the Top Panel (1) using the (F) screws.



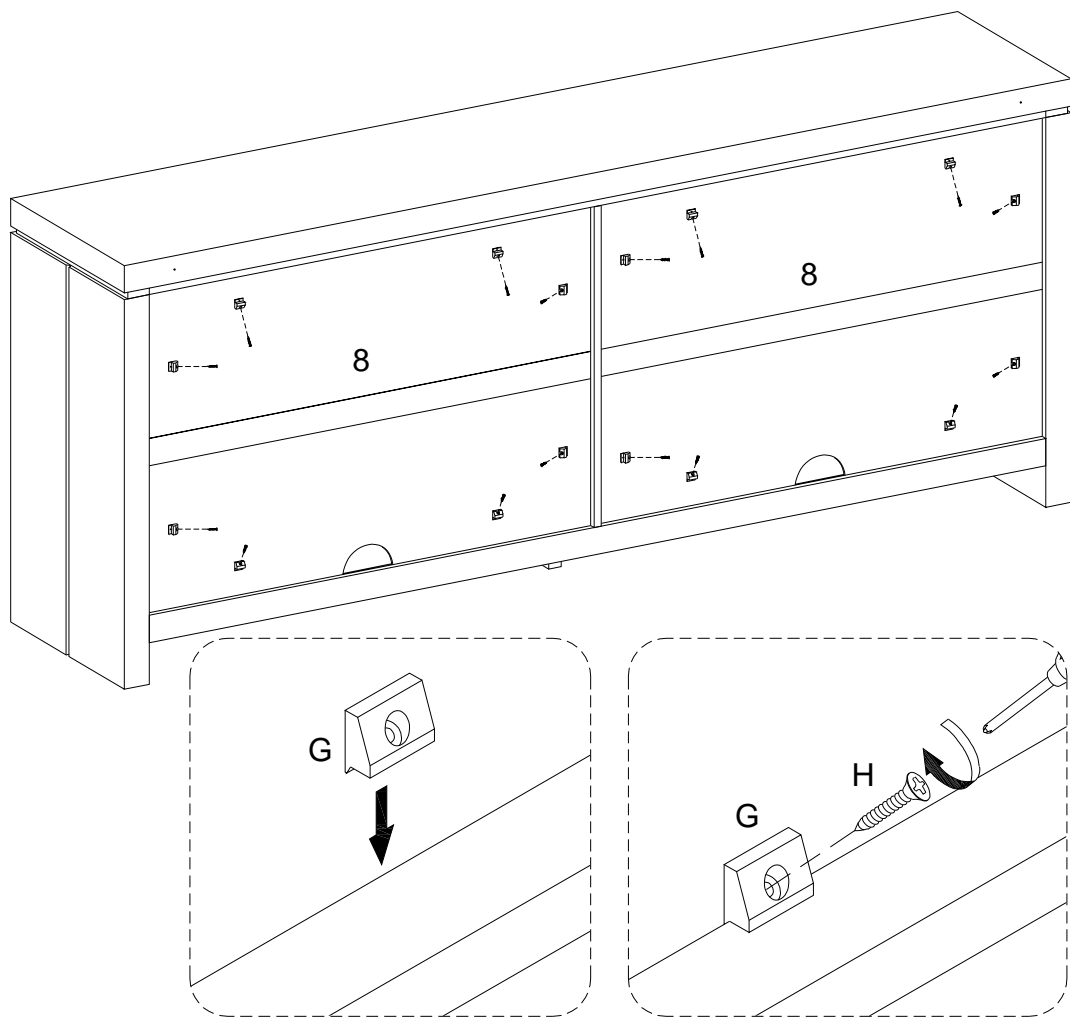
Step 10

Secure the Top Panel (1) to the rest of the unit using the cam bolts (B). Insert cam locks (C) and tighten with a screwdriver.



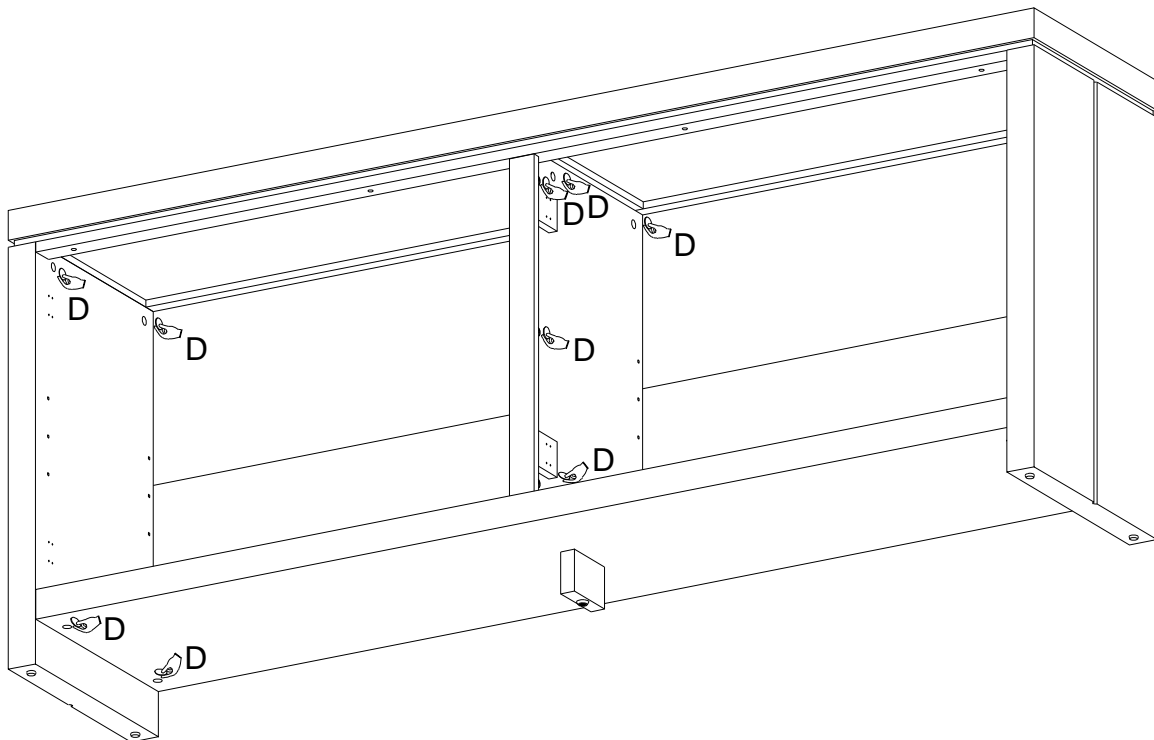
Step 11

Insert plastic wedges (G) in between the Back Panels (8) and the frame of the unit. Secure the wedges in place with the (H) screws.



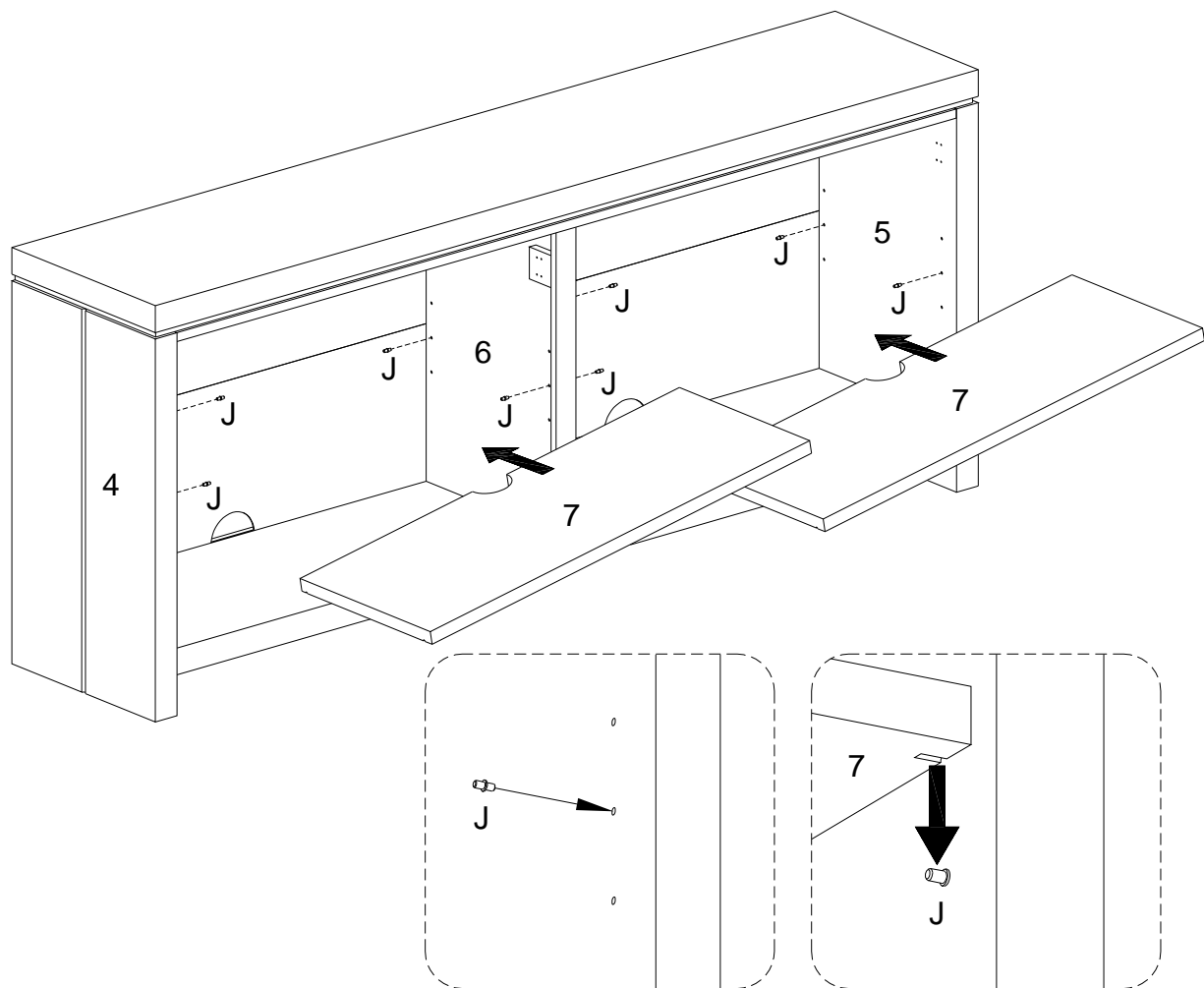
Step 12

Use the provided stickers (D) to cover each cam lock (C), ensuring a clean finish.



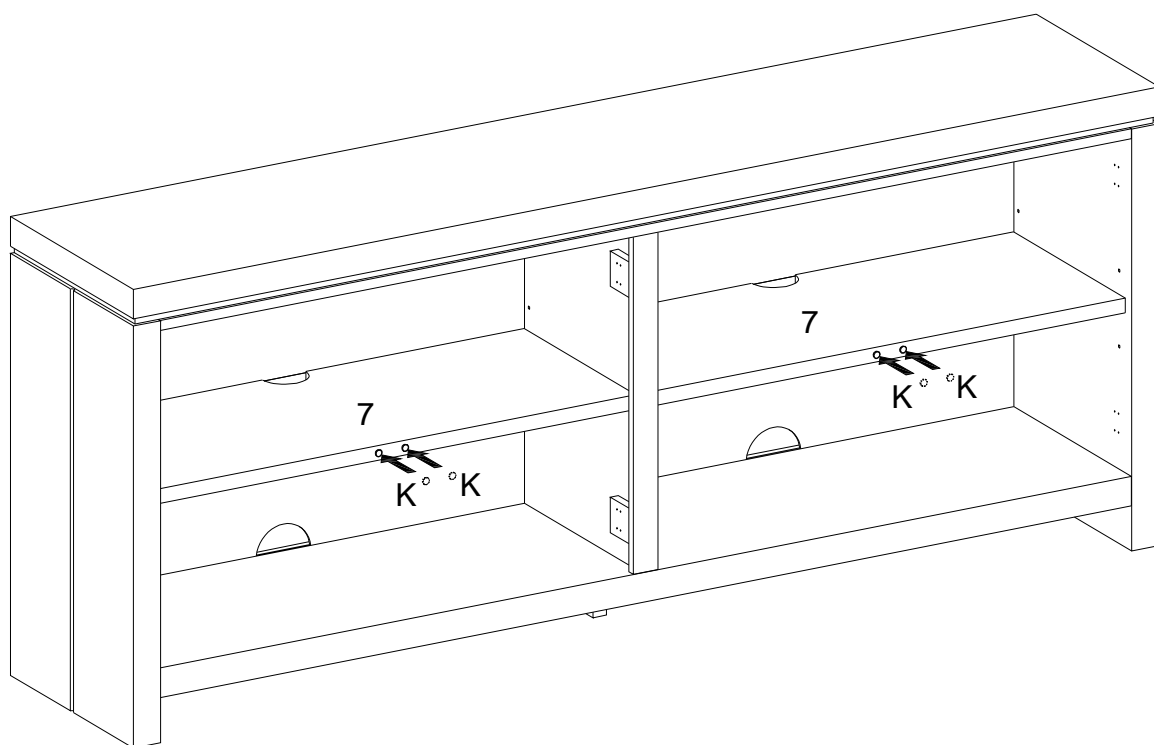
Step 13

Insert shelf support pins (J) and then insert both Adjustable Shelves (7), making sure the notch in the shelves match up with your shelf support pins (J).



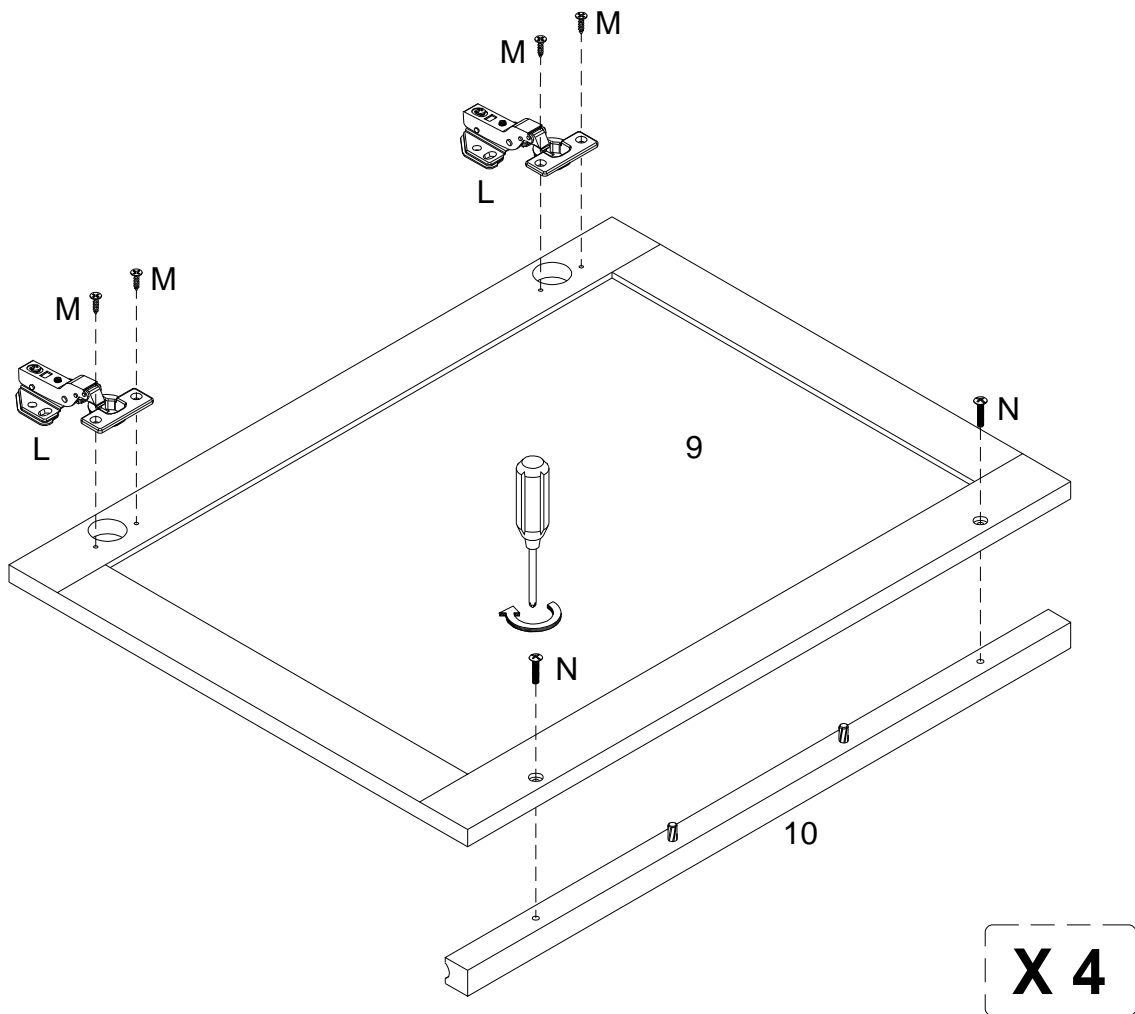
Step 14

Stick the rubber pads (K) to both Adjustable Shelves (7).



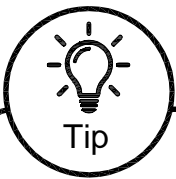
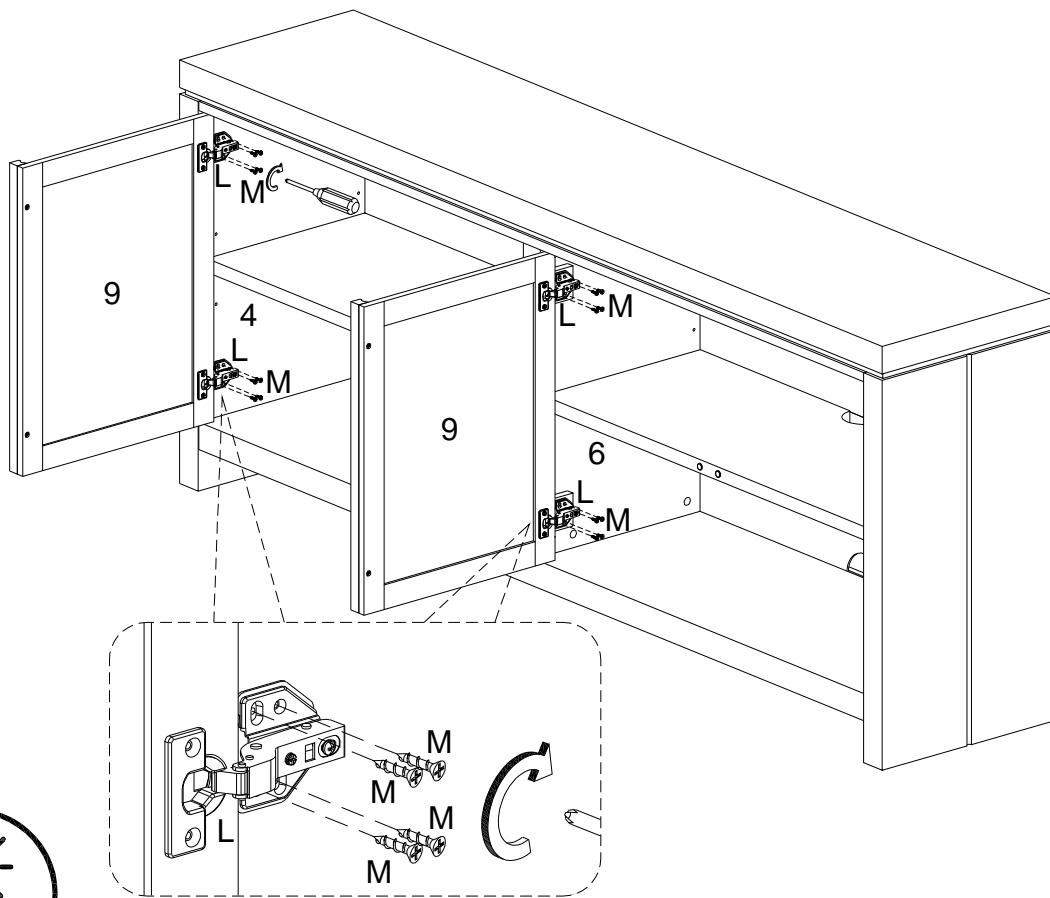
Step 15

Using the (M) screws, attach the hinges (L) to the Door Panel (9). Then, attach a Handle (10) to the door using the (N) handle bolts. Repeat this step four times for all the doors.

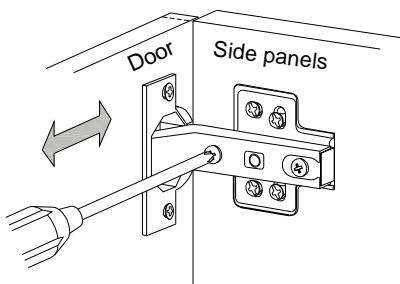


Step 16

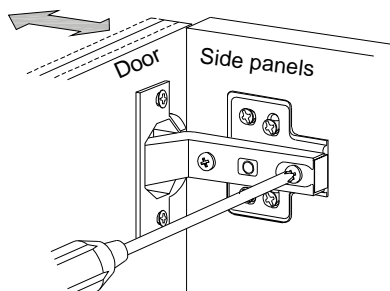
Secure the hinges (L) to the Left Side Panel (4) and the Divider Panel (6) using the (M) screws.



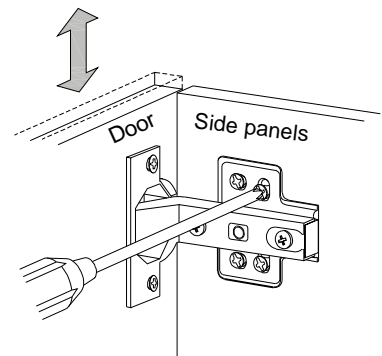
Adjusting The Cabinet Doors



Adjust horizontal width with this screw.



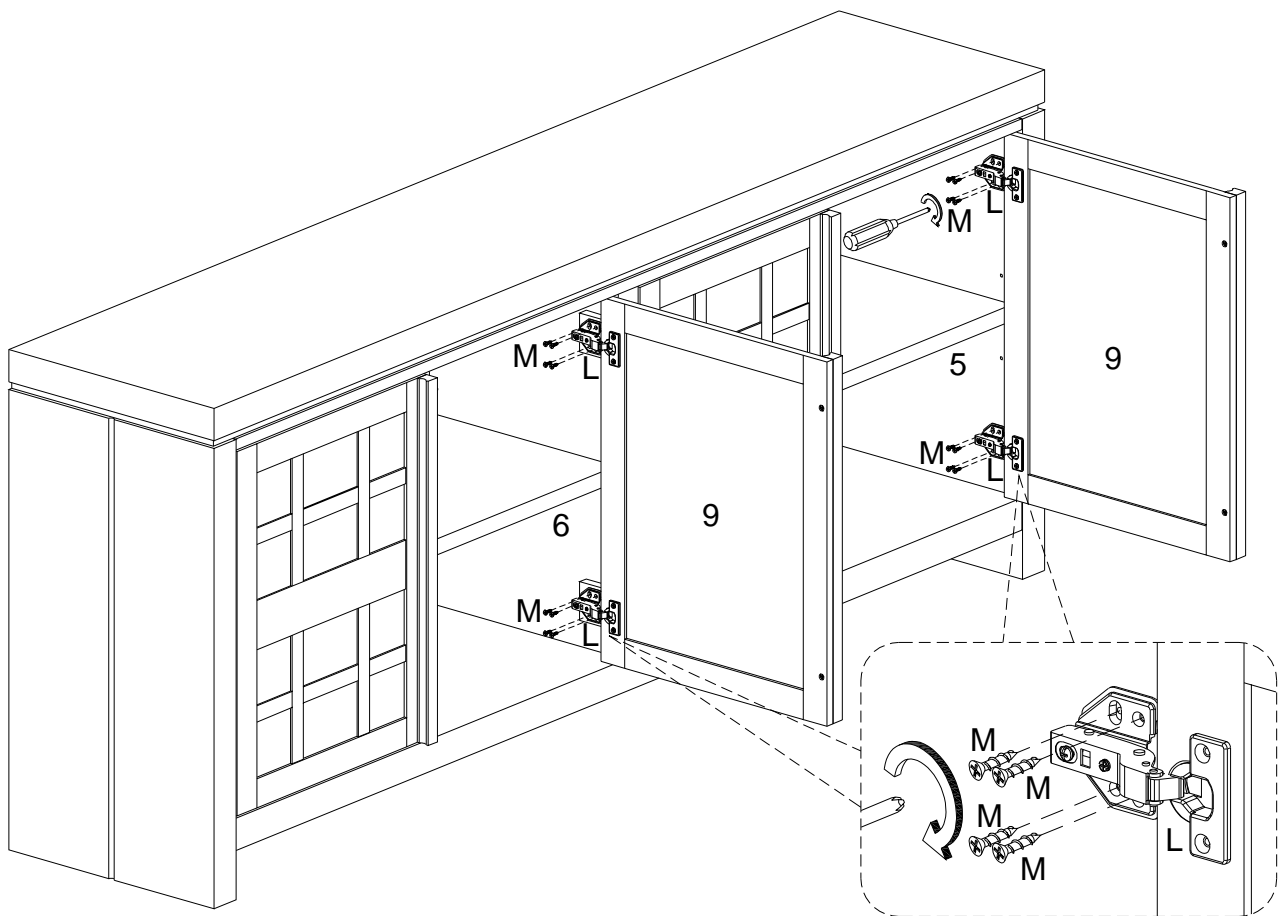
Adjust depth position by loosening the hinge arm mounting screw.



Adjust vertical height via the screws in the mounting plate.

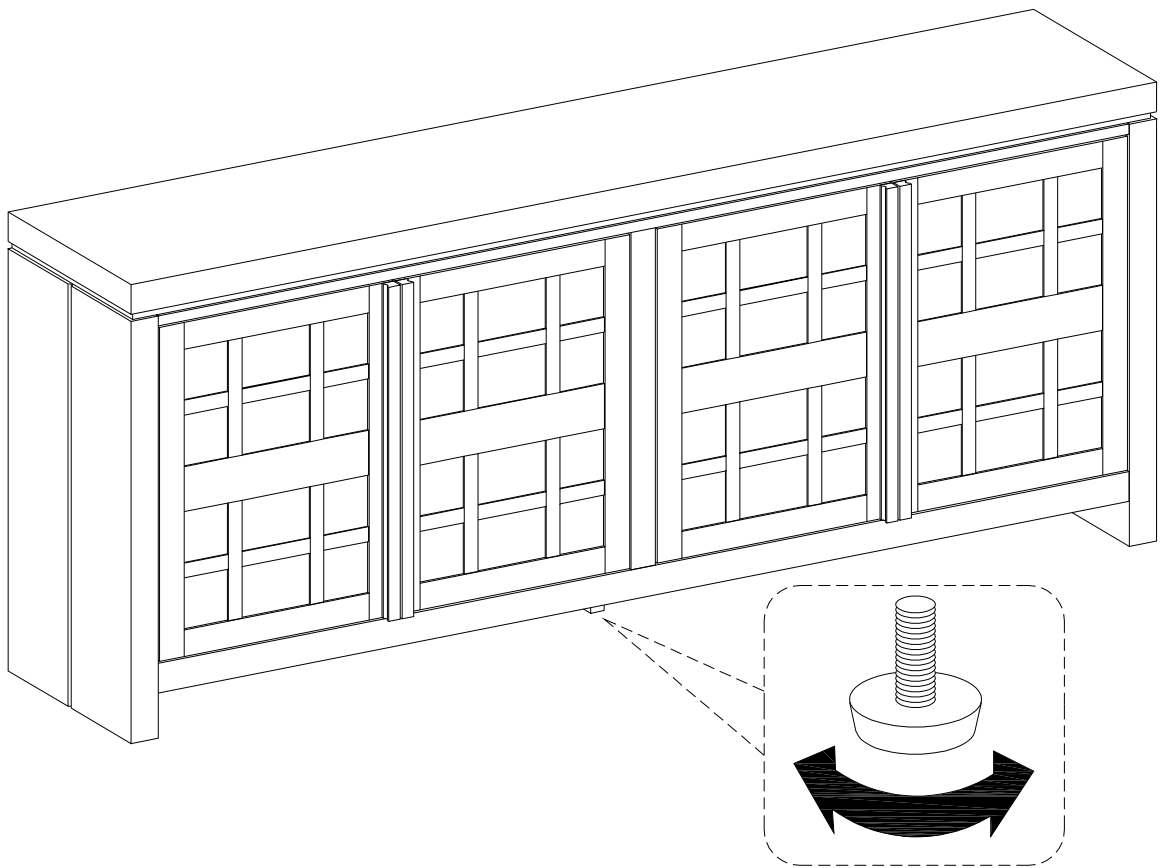
Step 17

Secure the hinges (L) to the Right Side Panel (5) and the Middle Side Panel (6) using the (M) screws.



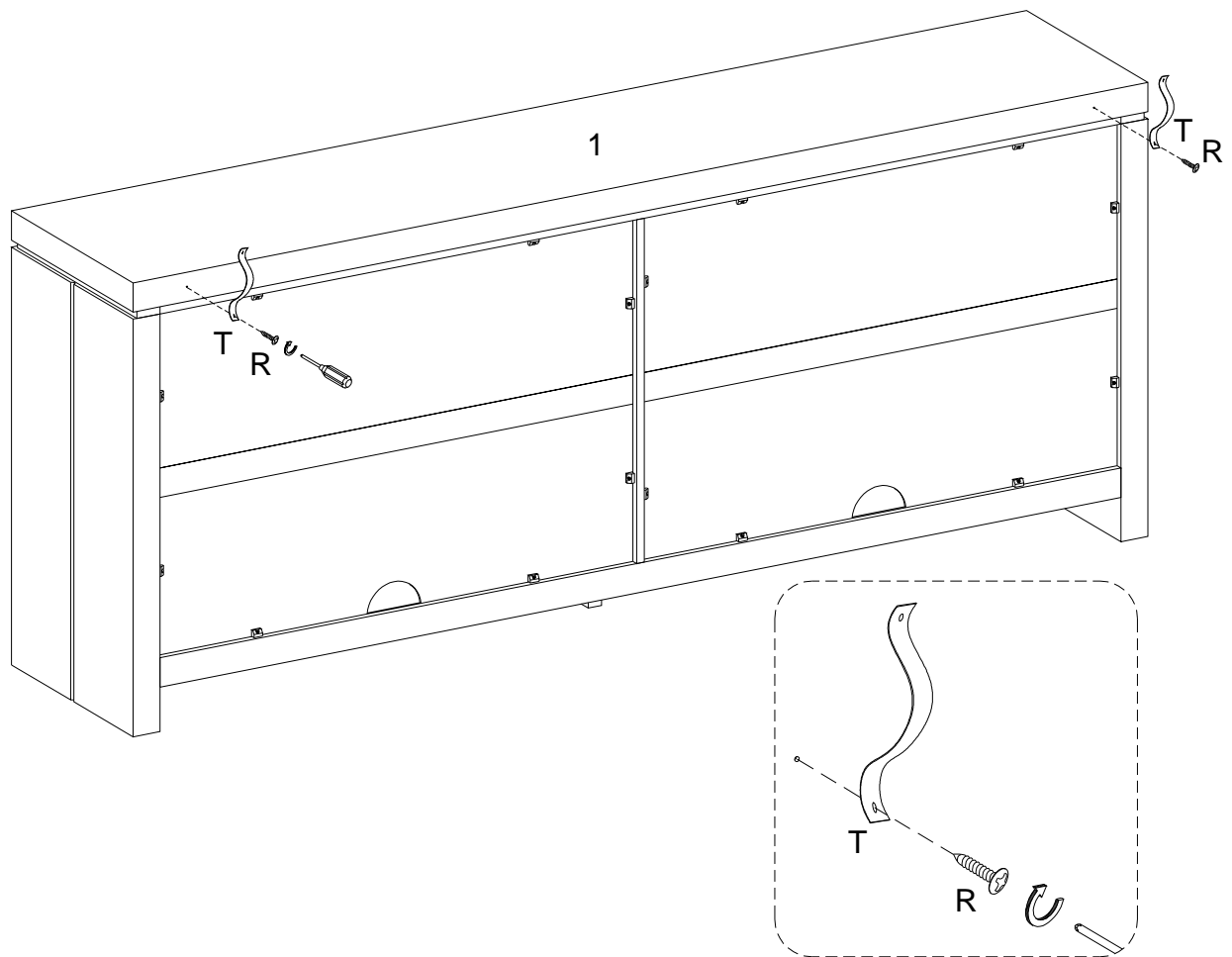
Step 18

Ensure your unit is level by twisting the adjustable foot on the Middle Foot (11).



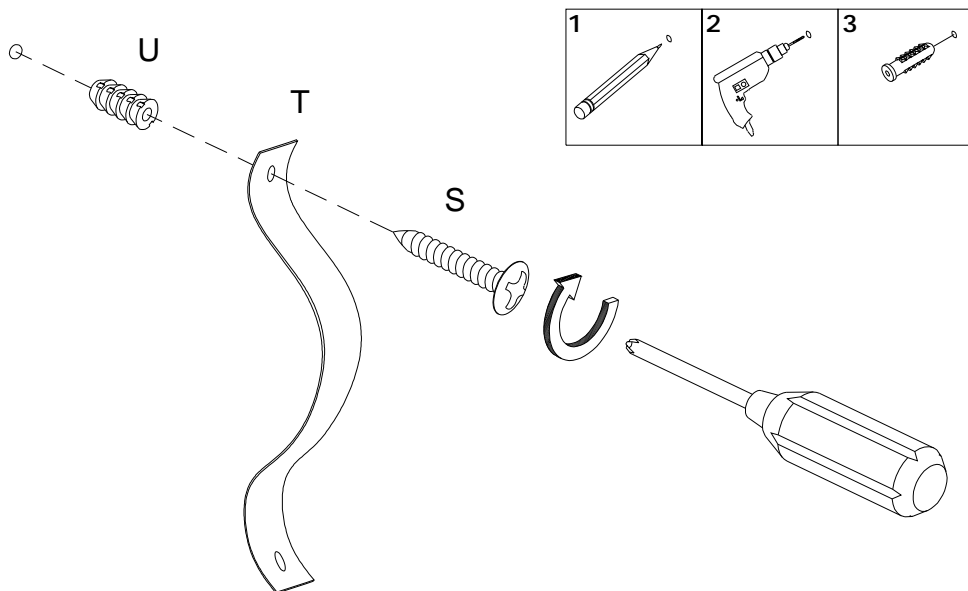
Step 19

Attach the plastic strap (T) to the back of the unit using the (R) screws.



Step 20

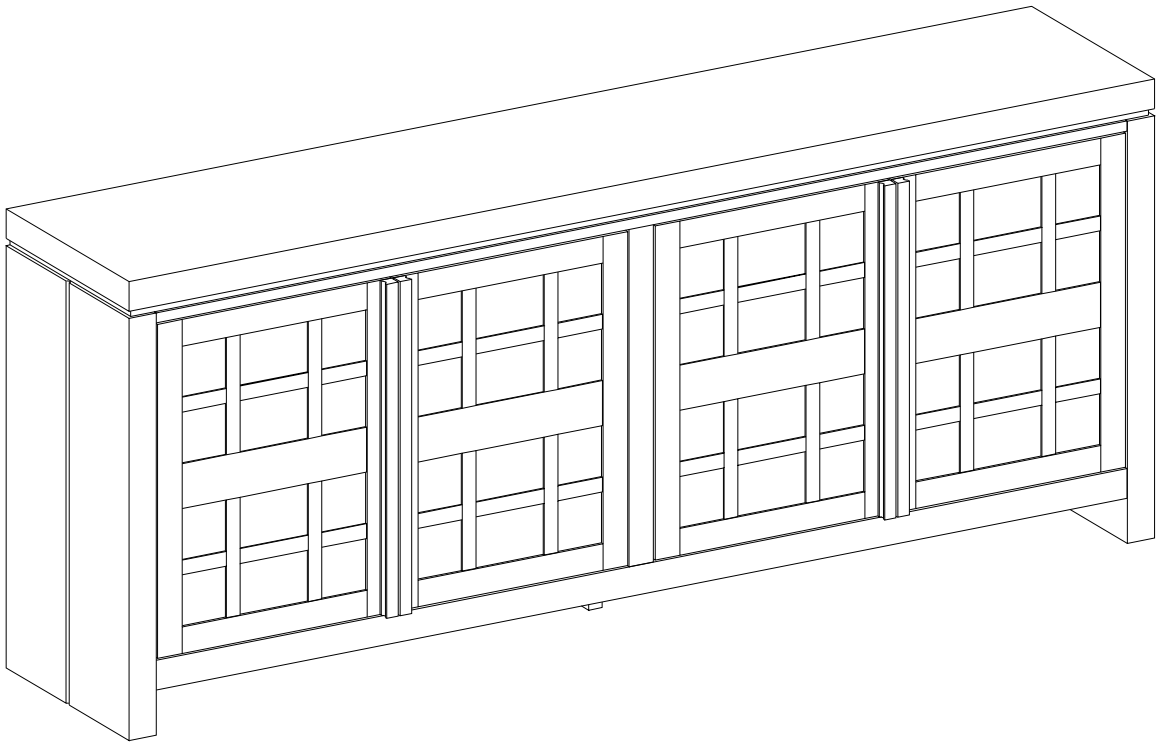
Secure your unit to the wall using the (S) screw, plastic strap (T), and the wall anchor (U).



Warning

Serious or fatal injuries can occur from furniture tipping over. To prevent the furniture from tipping over we recommend that it is permanently fixed to the wall. Wall anchor and hardware are included with this product. Please make sure hardware is suitable for your walls before installing, as different wall materials may require different types of anchors.

Final Assembly



Congratulations on your new piece of furniture!

We would love to hear about it and see it.
Please leave us a review or post a picture with
[#mywalkerredisonhome](#)

Assembling furniture can be tricky sometimes.

Our customer service team, located in Utah, is here for product information, help assembling a product, or for any other customer support issue

Call us at **801-433-3008**

Email us at service@walkeredison.com

Visit our Customer Service website at
walkeredison.com/pages/customer-service

We are available to help Monday -Thursday 8am-5pm, Friday
8am-3pm MST

For details on Assembly Videos, Assembly Instructions,
Replacement Parts, and Customer service,
SCAN HERE

