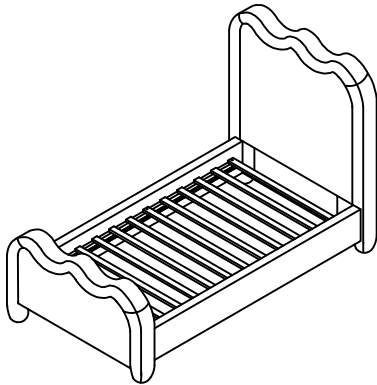


ASSEMBLY INSTRUCTIONS

GAVIN - TWIN

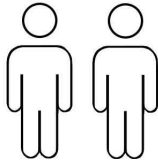
meridian.
furniture



+ Do Not Use Power Tools



+ Suggested Adults



NOTE: For questions about parts or assembly please email support@meridianfurnitureusa.com or call us at 718-758-4455.

- 1 Read instructions cover to cover.
- 2 Save all packaging until assembly is completed.

1 IMPORTANT SAFETY INFORMATION

Do not assemble the product if any of the following parts arrived damage:

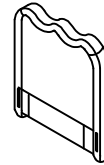
- Part 3 - Side Rails
- Part 4 - Slats

2 IMPORTANT ASSEMBLY INFORMATION

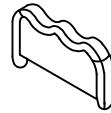
Assembly Step Ensure the side rail bracket is fully hooked onto bolt loosely threaded with both washers on the **OUTSIDE** of the bracket first, then proceed to fully tightening all 4 corners.

+ Parts Included

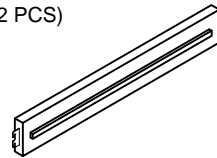
① HEADBOARD
(1 PC)



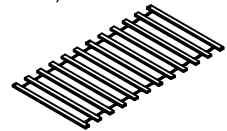
② FOOTBOARD
(1 PC)



③ SIDE RAILS
(2 PCS)



④ SLATS
(1 SET)



+ Hardware Included

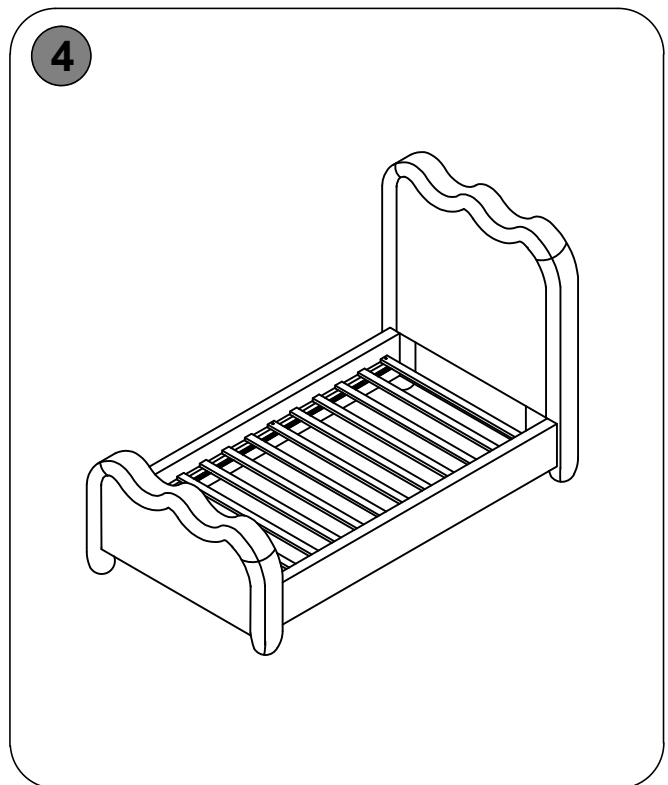
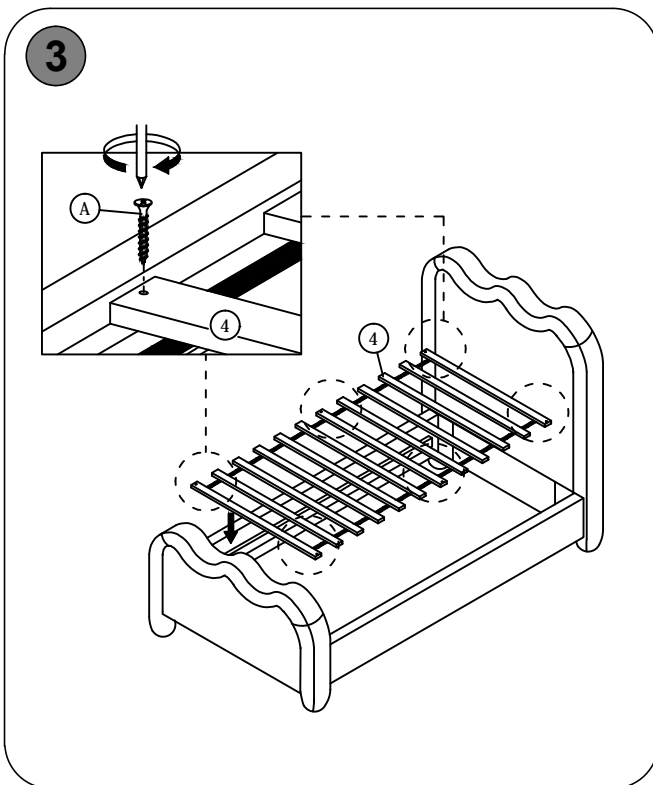
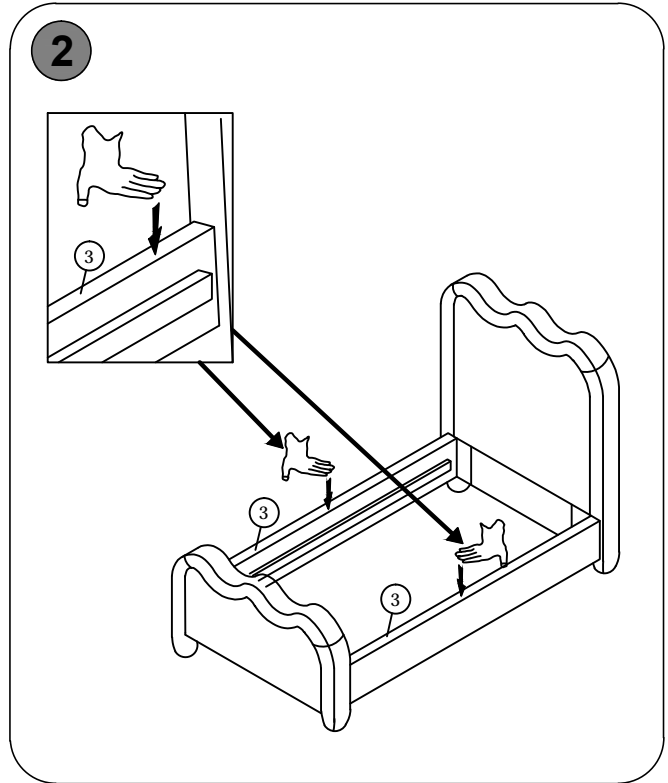
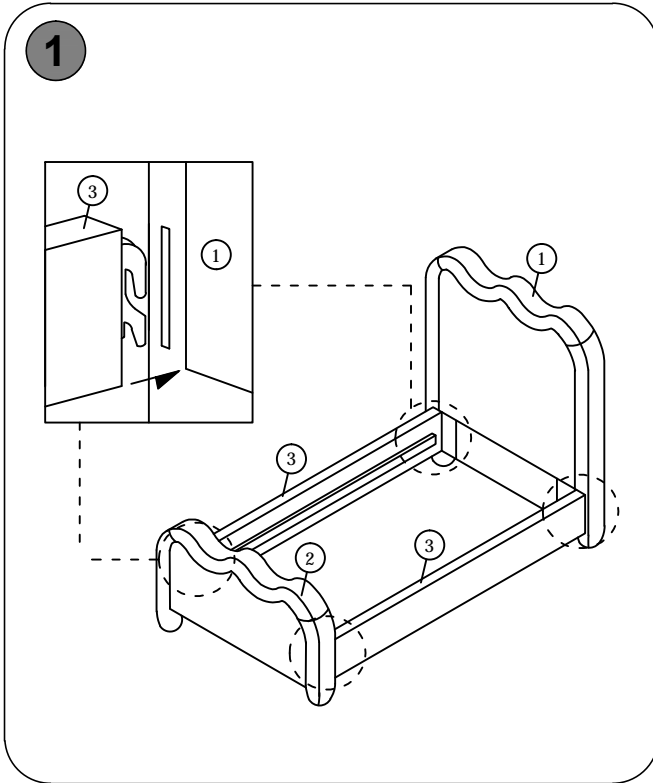
A M4 x 38mm
(6 PCS)



ASSEMBLY INSTRUCTIONS

GAVIN - TWIN

meridian.
furniture



NOTE: For questions about parts or assembly please email support@meridianfurnitureusa.com or call us at 718-758-4455.

www.MeridianFurnitureUSA.com | support@meridianfurnitureusa.com