
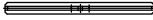
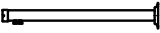







**IMPORTANT!! PLEASE READ ENTIRE
INSTRUCTION SHEET BEFORE ASSEMBLY!!
10FT Offset Solar Umbrella**

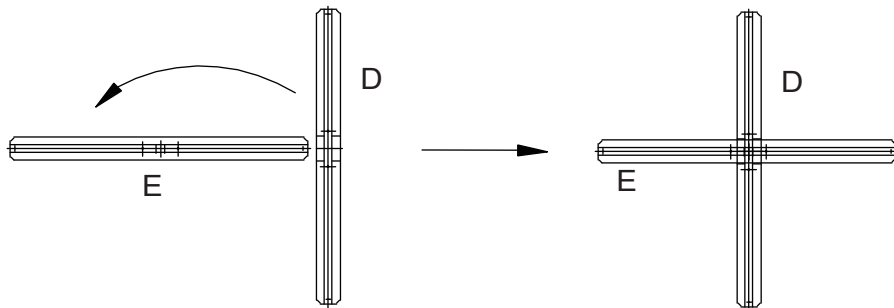
Identify all parts packed in the carton against the parts list. Remove all protective materials. Place parts on a non-abrasive surface. If you are missing any parts or Are unsure how to proceed with assembly, please call customer service center Immediately.

Do not attempt to assemble the product if any parts are missing or damaged .

PART LIST							
A	Umbrella body		1	E	Base bar 2		1
B	Bottom Pole		1	AA	M8 x 15mm Bolt		4
C	Solar Panel		1	BB	Washer		4
D	Base bar 1		1	CC	Hex Wrench		1

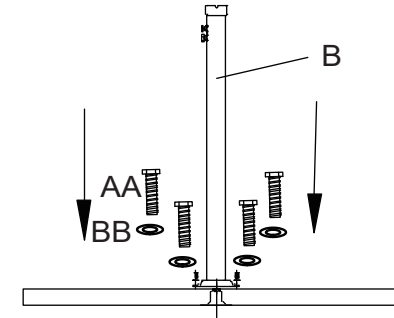
Step 1

Place the base bar 1 & 2 (D&E) on a flat, soft surface. Cross the base bar 1 (D) and the base bar 2 (E). The base bar 1(D) is under the base bar 2(E).



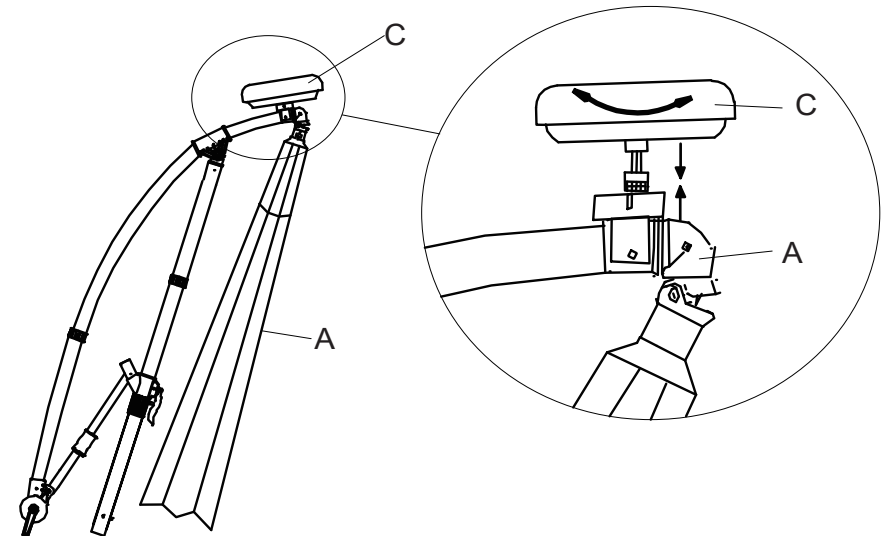
Step 2

Attach the bottom pole (B) to the cross base(D&E) by using bolts (AA) with washers(BB) through the holes of the bottom tube (B) into the cross base. Tighten all the bolts by hex wrench (CC).



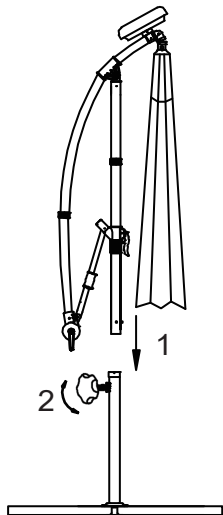
Step 3

Match the electronic connector from the solar panel (C) with the electronic connector located at the top tube of the umbrella body (A). Then insert and twist the solar panel into the top cap to lock.



Step 4

Insert the umbrella body (A) into the bottom pole (B)(see 1). Twist the plastic knob(see 2) on the bottom pole into the umbrella body.

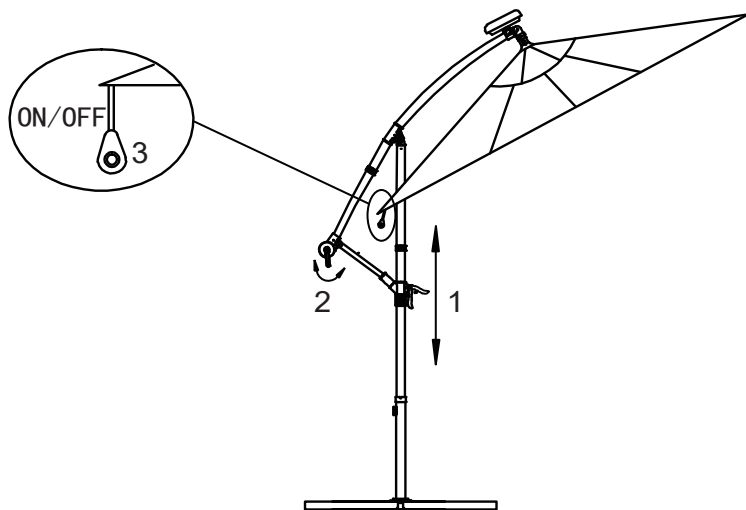


Step 5

Using the handle (1) to raise the umbrella to the desired height. Turn the crank handle (2) clockwise to open the umbrella.

Press the LED lights "On/Off" button (3) on the umbrella bracket to activate the LED lights. The lights will toggle On/Off each time the button is pressed.

Note: This umbrella comes with above the ground cross-frame, onto Which four 15kgs pavers or equivalent umbrella base must be added to make umbrella stable (not included).



Care Instructions

1. Clean any dirt and debris from the solar panels, the panels cannot recharge if the light is obstructed. Use a soft cloth to clean the panels. Do not use abrasives or chemicals that might scratch or damage the UV coating.

2. Recycling

Please dispose of batteries properly. Consult your local telephone listing for a battery recycling center in your area.



Do not dispose of batteries in household waste.



Do not throw batteries into water!



Ambient temperature maximal 40°C (105°F)



Protect batteries against heat and fire risk of explosion



Recycle

3. Always place the product on a flat, steady and stable surface.

4. Before opening umbrella, check for any potential obstacles.

5. Gently pull ribs away from centre pole to ease opening of the umbrella.

6. Do not leave umbrella unattended while open.

7. When not in use, ensure umbrella is closed and stored securely.

8. Umbrella is intended for sunshade and not for protection in rain or wind. Do not use in these conditions.

9. We recommend using an umbrella cover to protect fabric from fading when not in use. (not included)

10. Not designed to be a permanent structure.