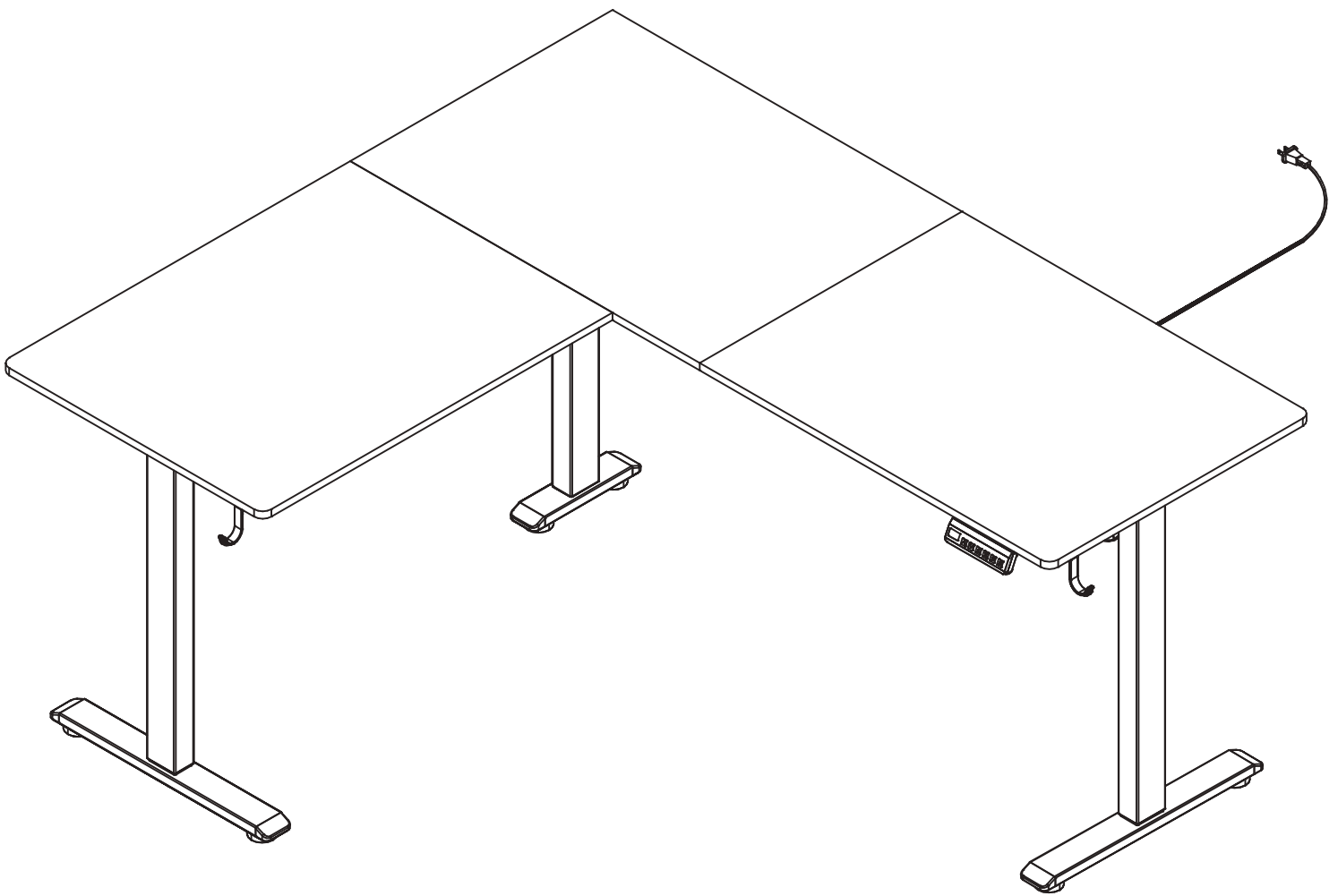
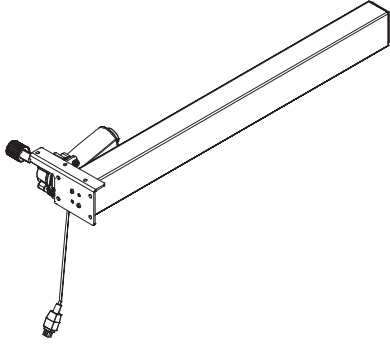


# Installation Instructions

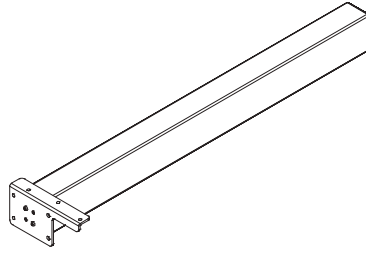
Please read the installation instructions carefully before instructions. The front and back of board are different. Be sure to see it clearly before operation. Please pay attention to the size of the screws.



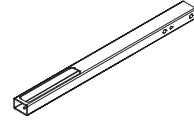
1 × 1



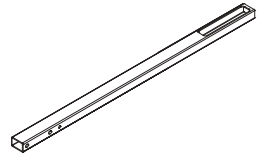
2 × 2



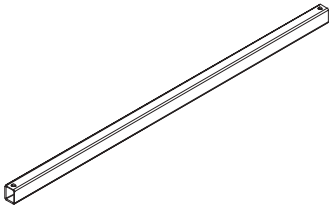
3 × 1



4 × 2



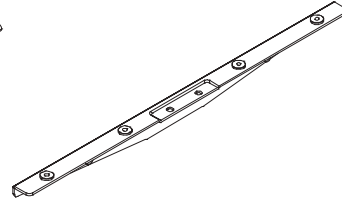
5 × 1



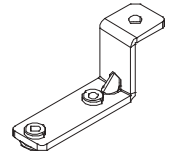
6 × 1



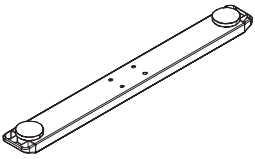
7 × 3



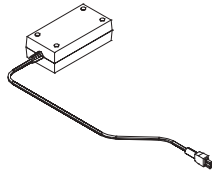
8 × 3



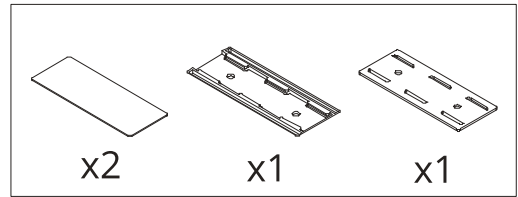
9 × 2



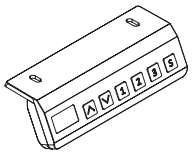
10 × 1



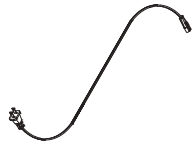
11 × 1



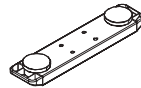
12 × 1



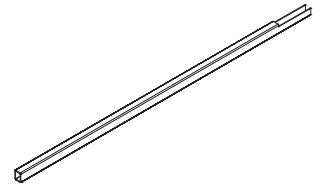
13 × 1



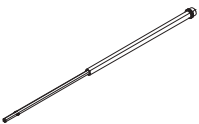
14 × 1



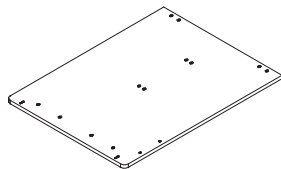
15 × 1



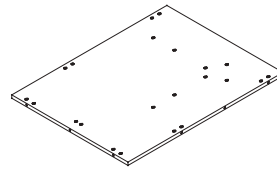
16 × 1



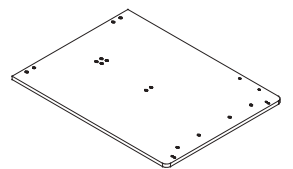
17 × 1



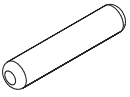
18 × 1



19 × 1



Ⓐ ×6



∅ 8X40

Ⓑ ×9



M6X10

Ⓒ ×6



M4X12

Ⓓ ×9



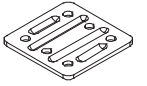
M6X8

Ⓔ ×12

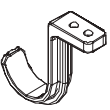


M6X32

Ⓕ ×4



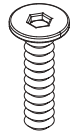
Ⓖ ×2



Ⓕ ×4



Ⓖ ×2

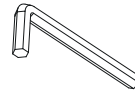


M6X20

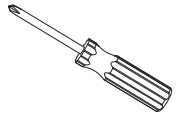
Ⓖ ×4



Ⓖ ×1



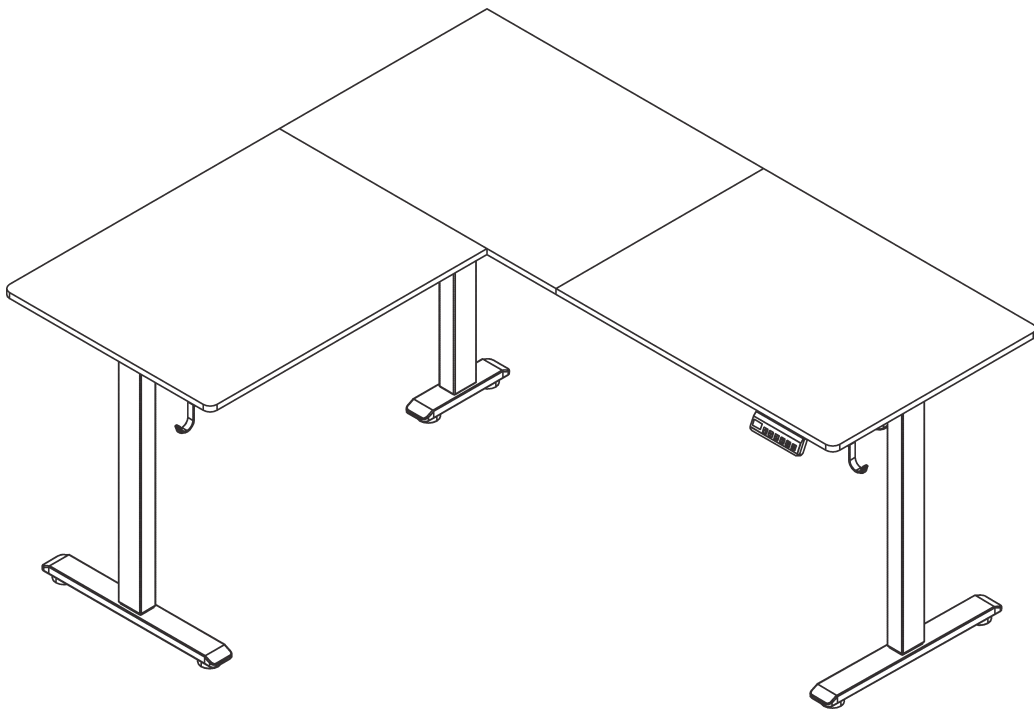
Ⓖ ×1



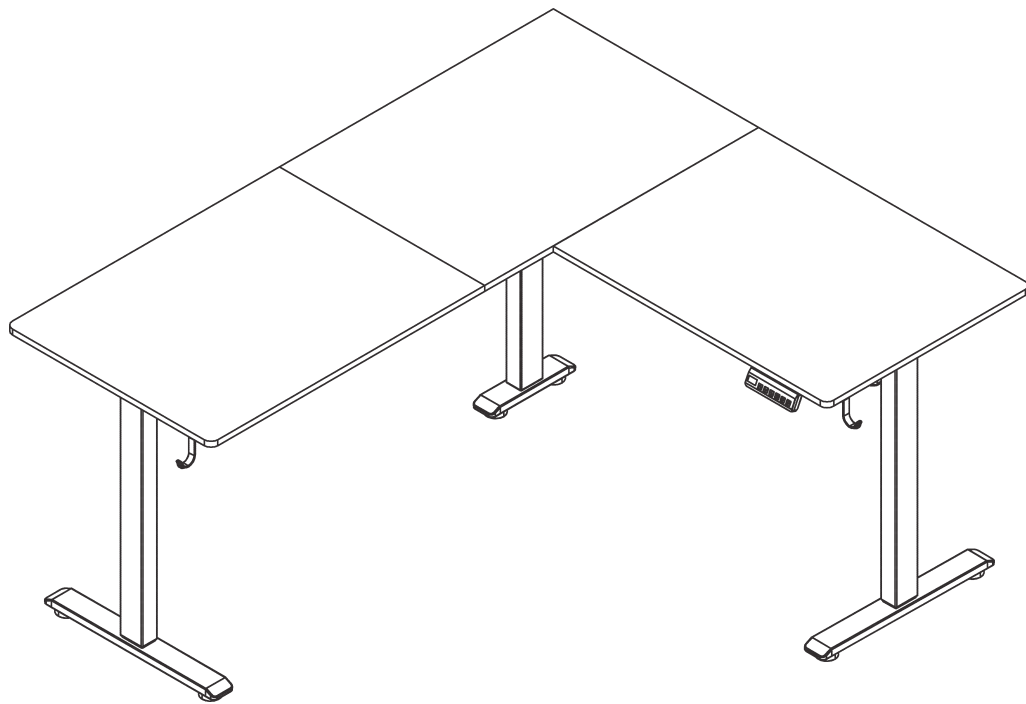
Ⓖ ×34



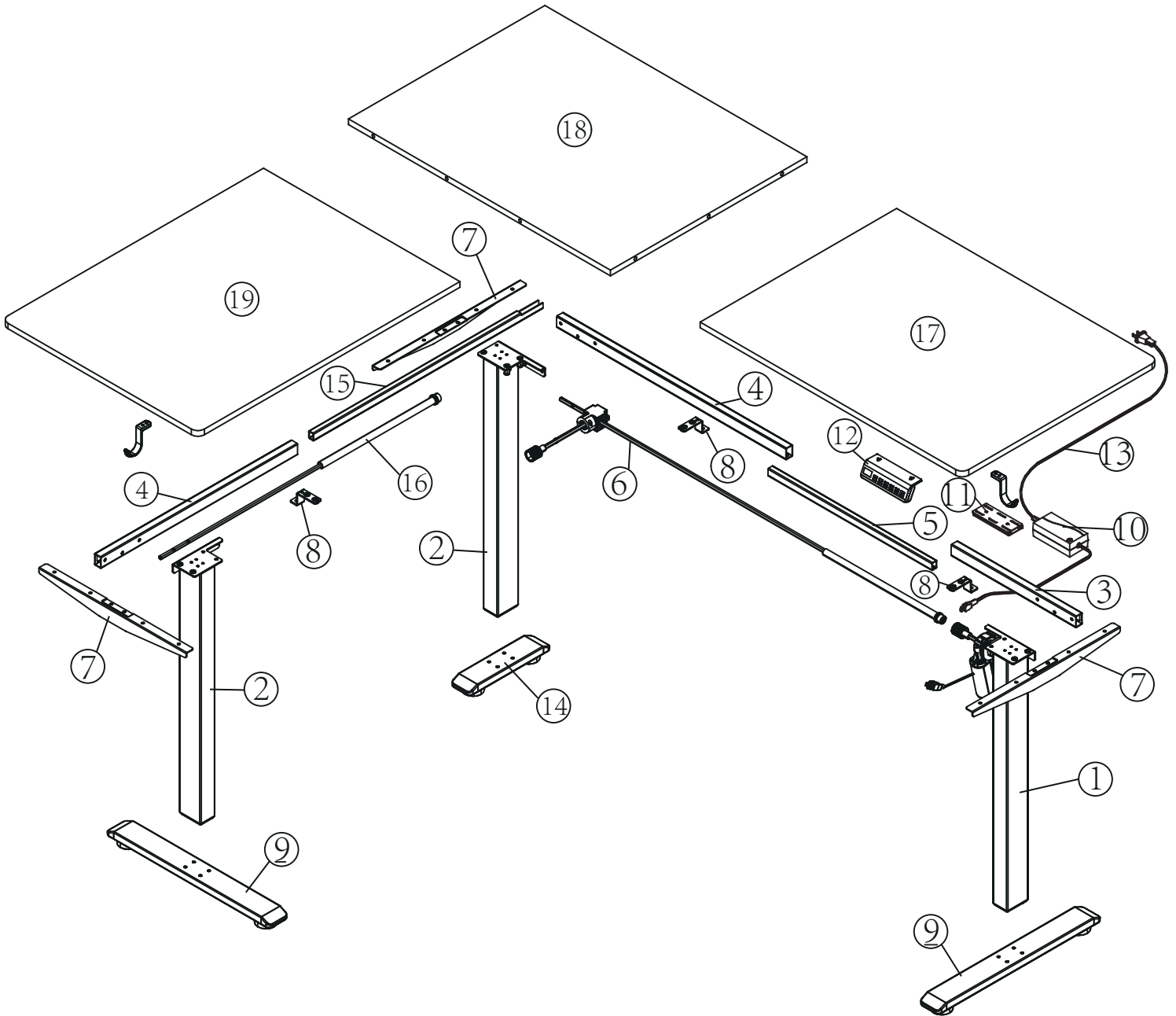
M6X14

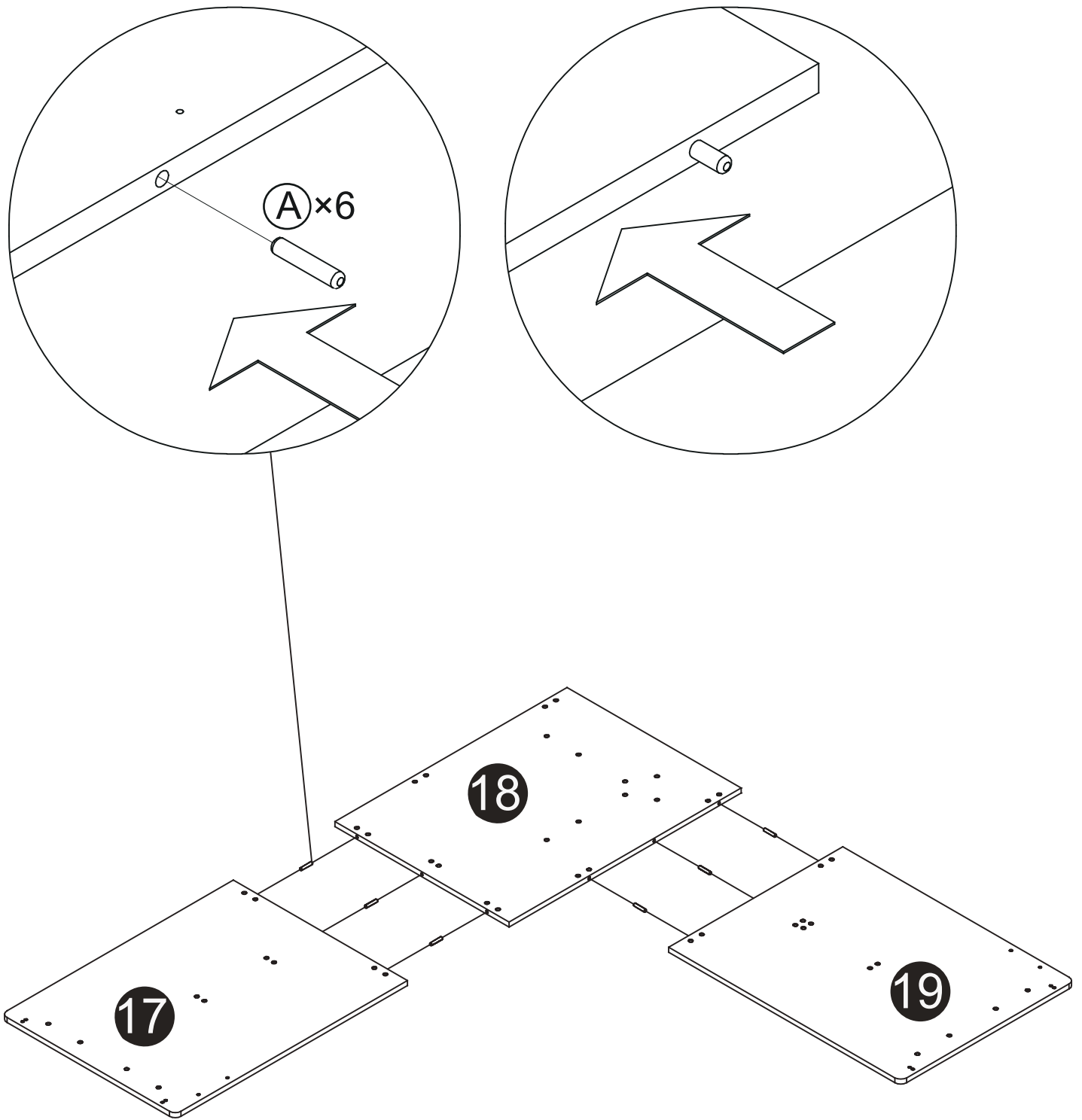


-----4-20



-----21-38

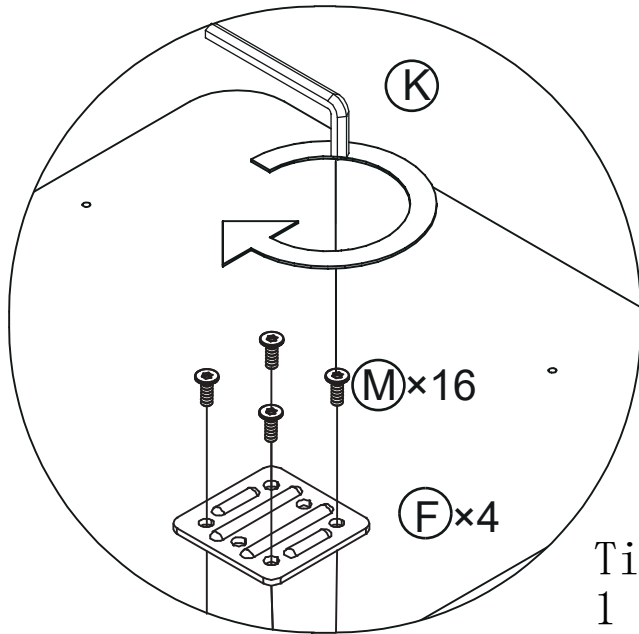




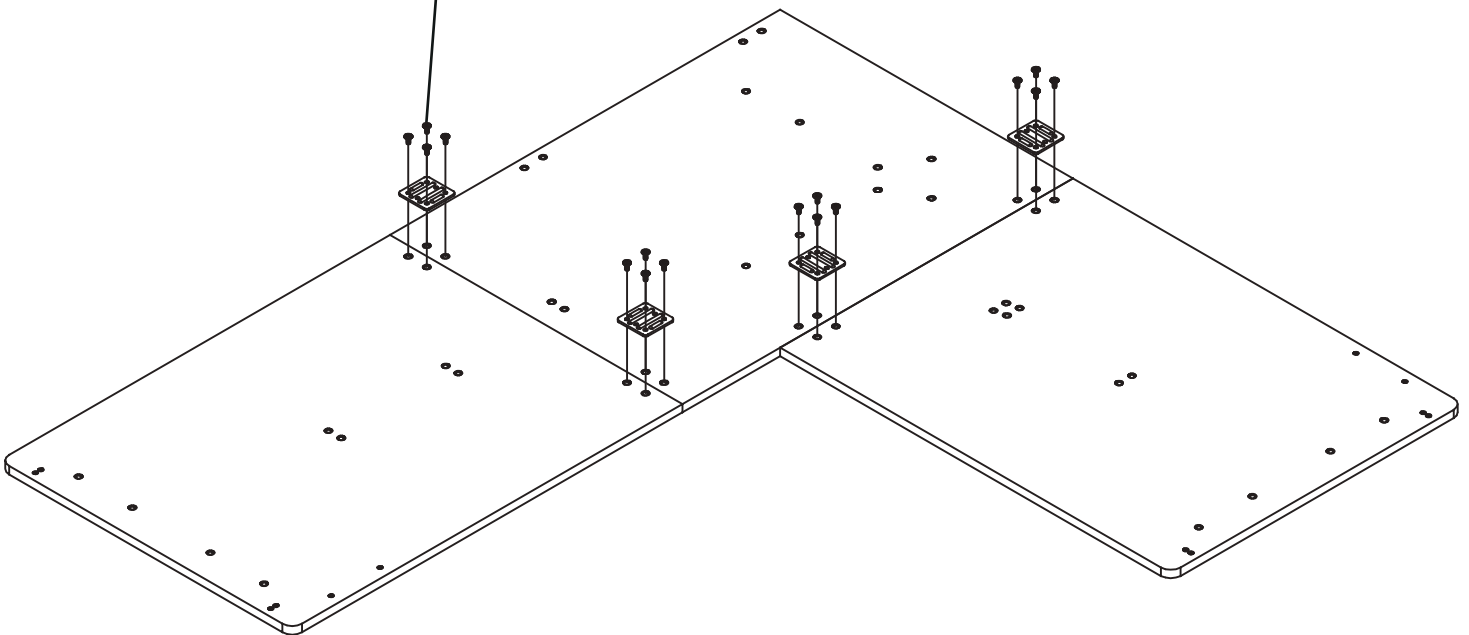
Fasten (17) with (18) and (19)  
together with wooden peg (A).

(A)  x6

2



Tighten the assembly of Step 1 with bolts (M) and (F).

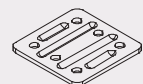


(M)



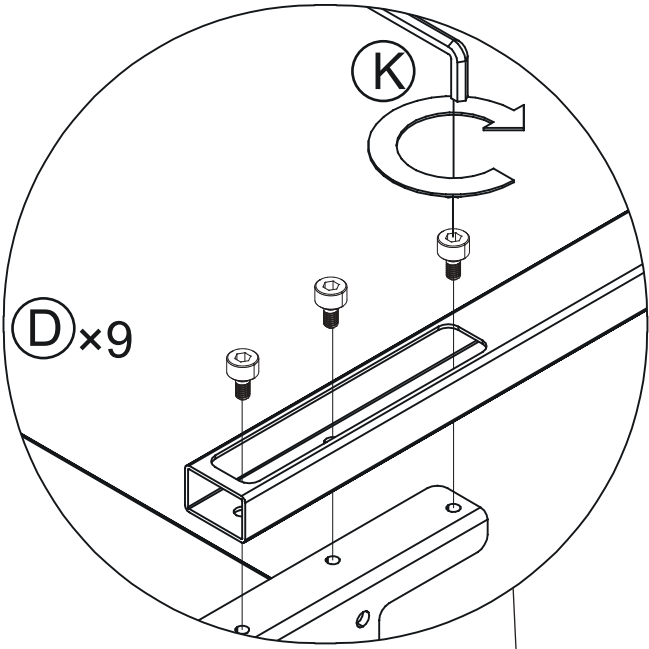
x16

(F)

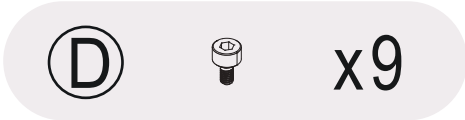
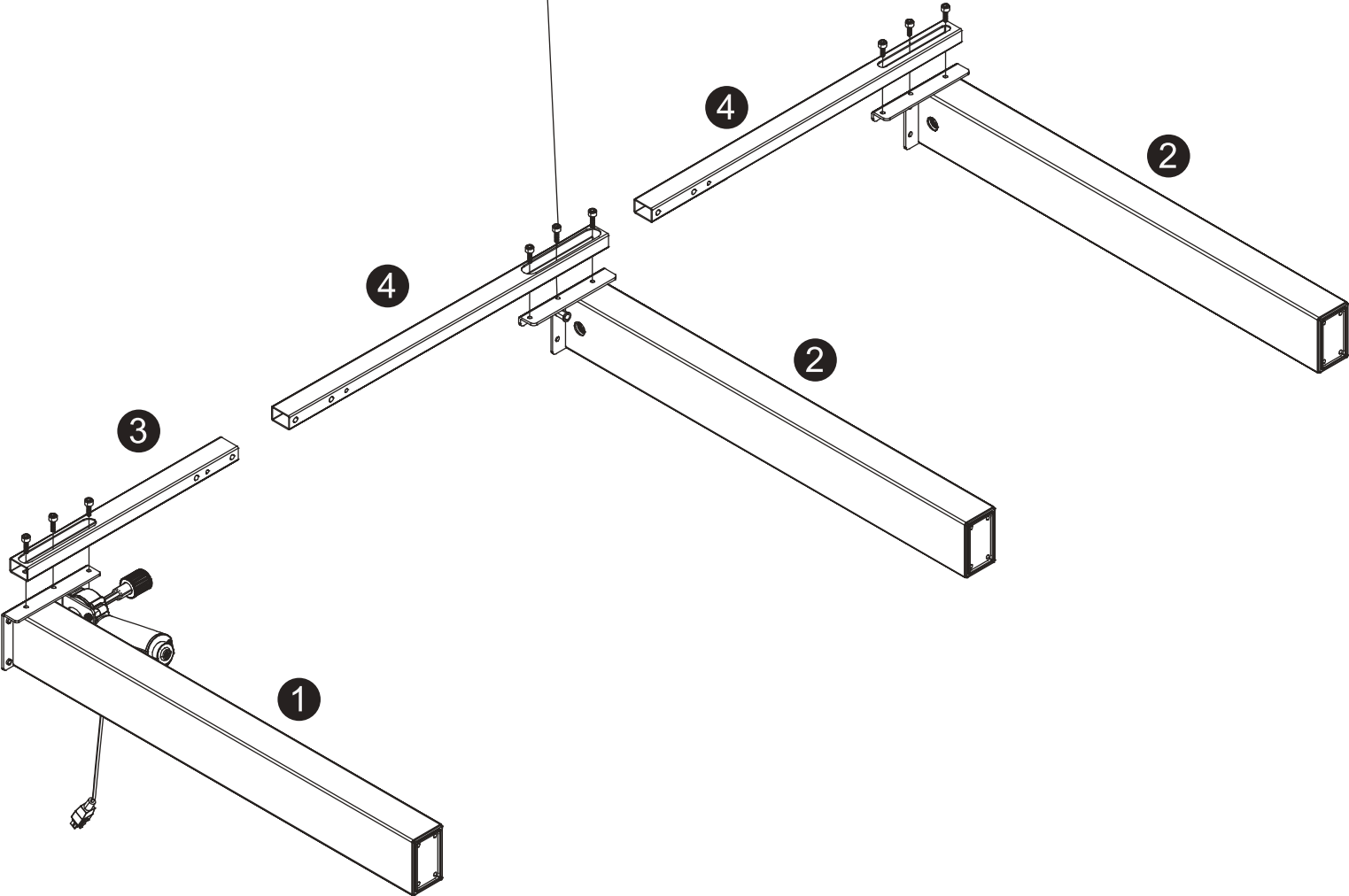


x4

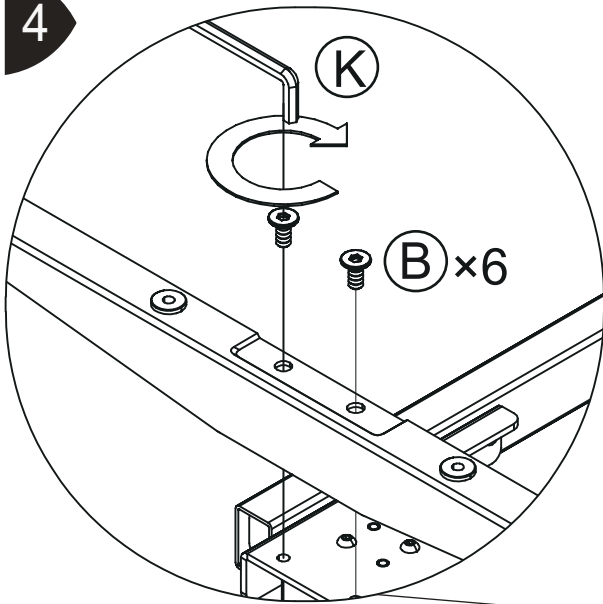
3



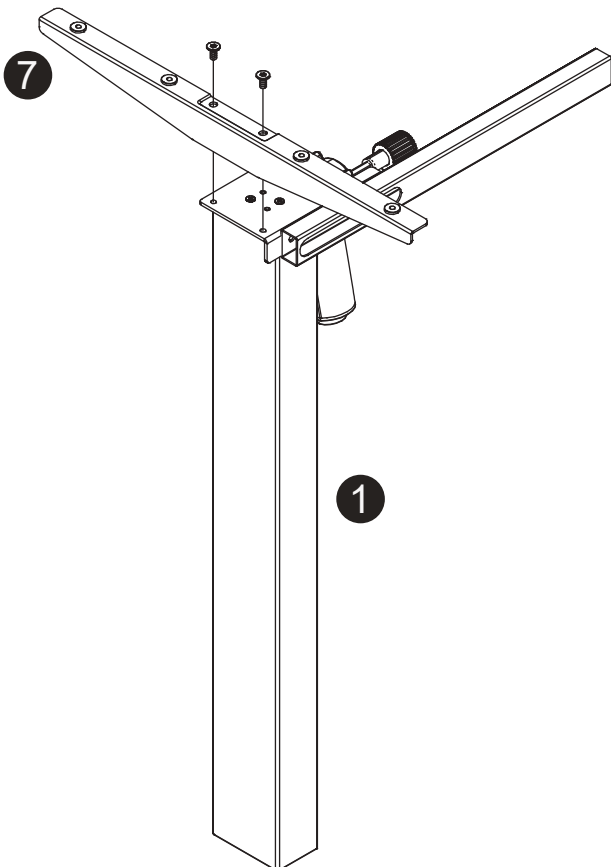
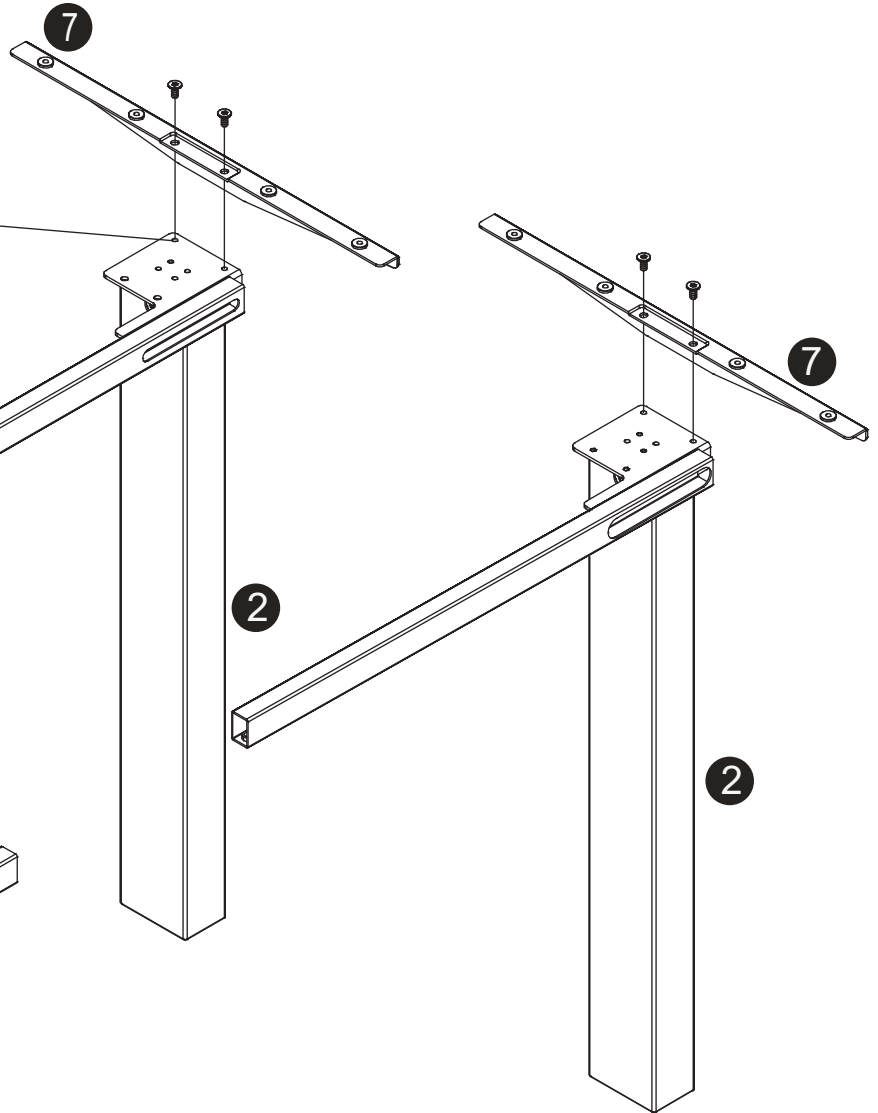
Fasten (4) to (2) with a bolt (D), then fasten (3) to (1).



4



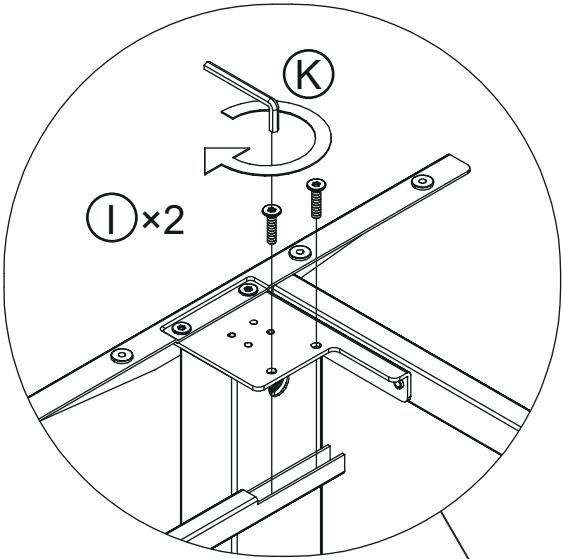
Fasten (7) to (1) and (2) with bolts (B).



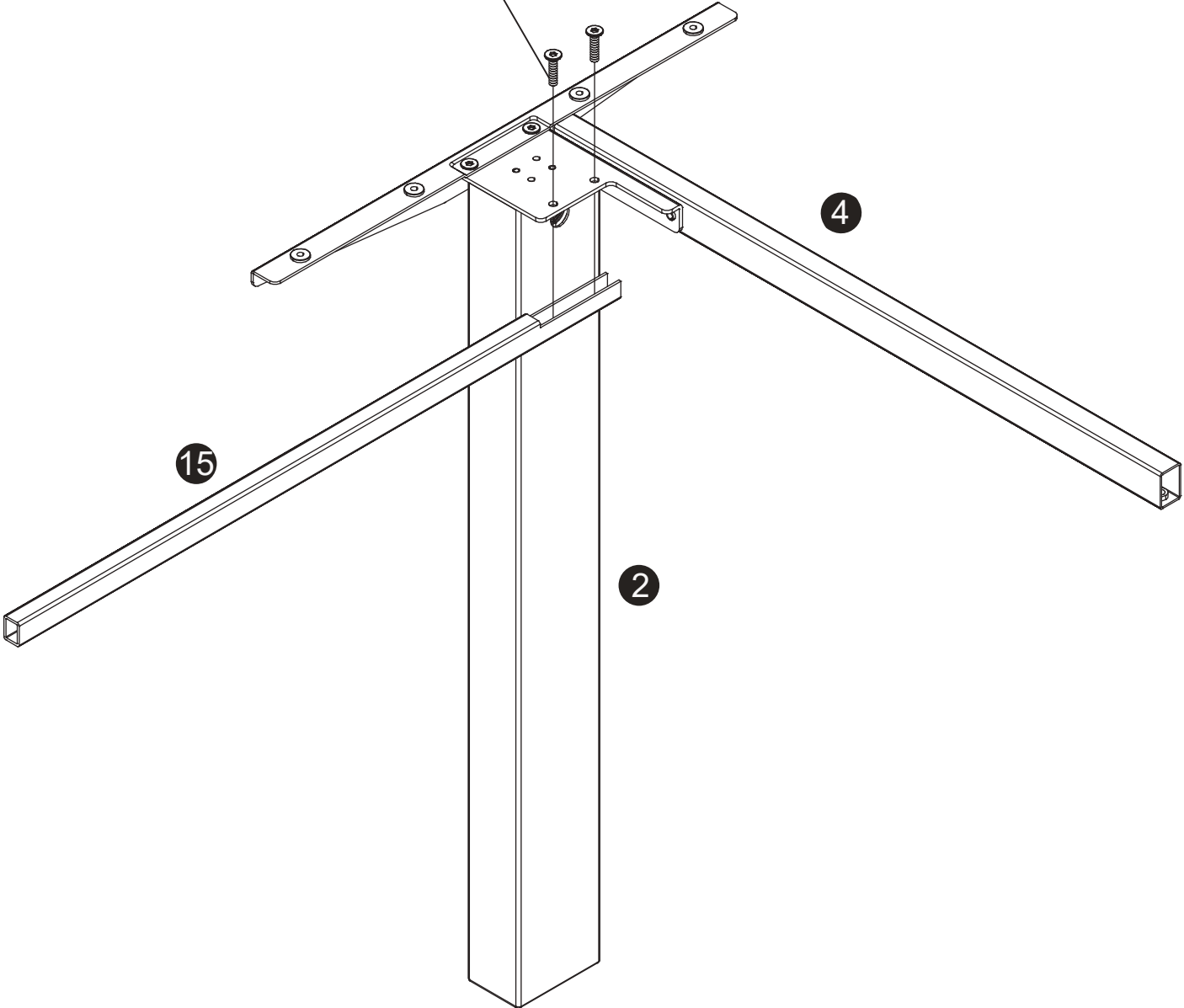
(B)



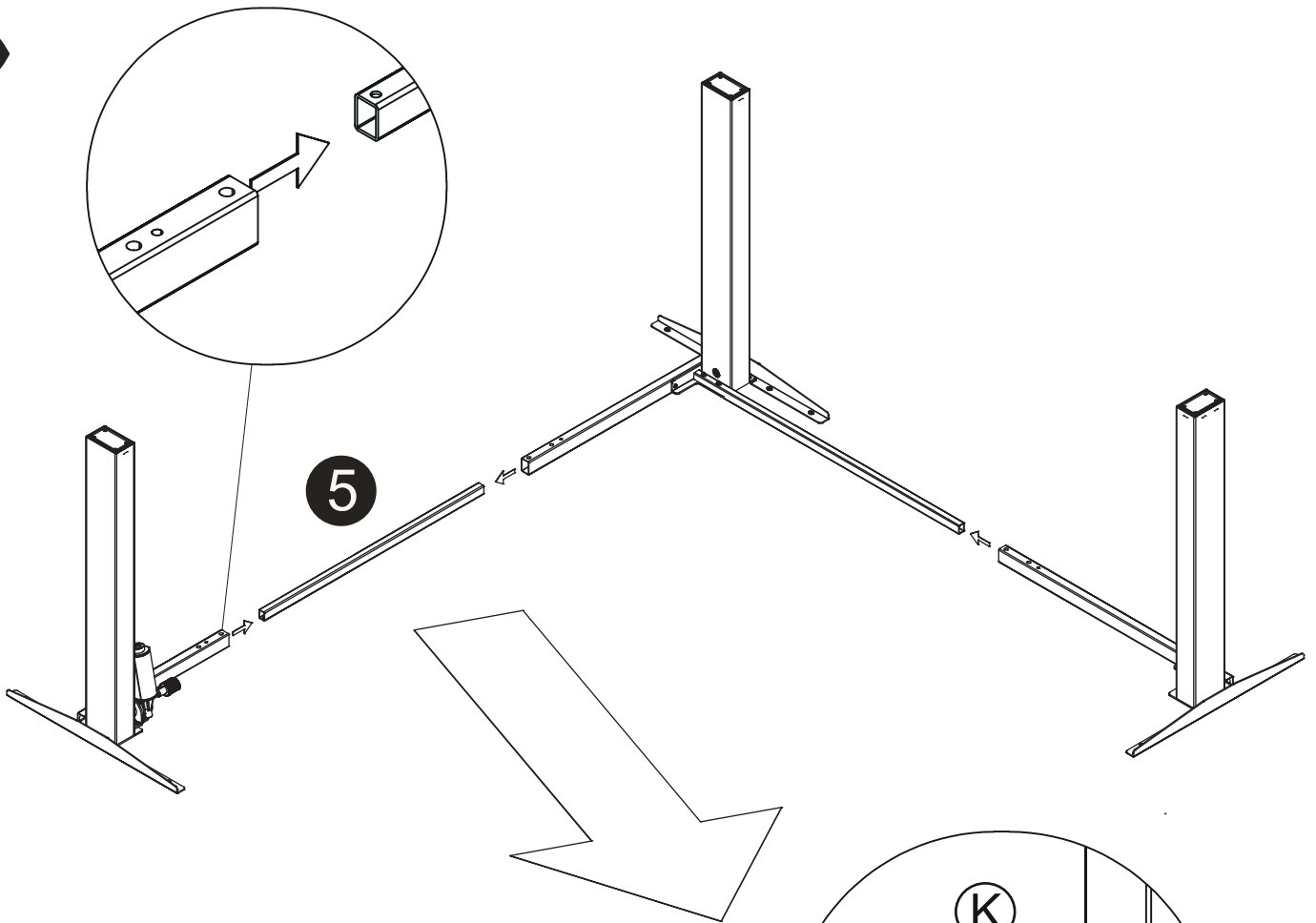
x6



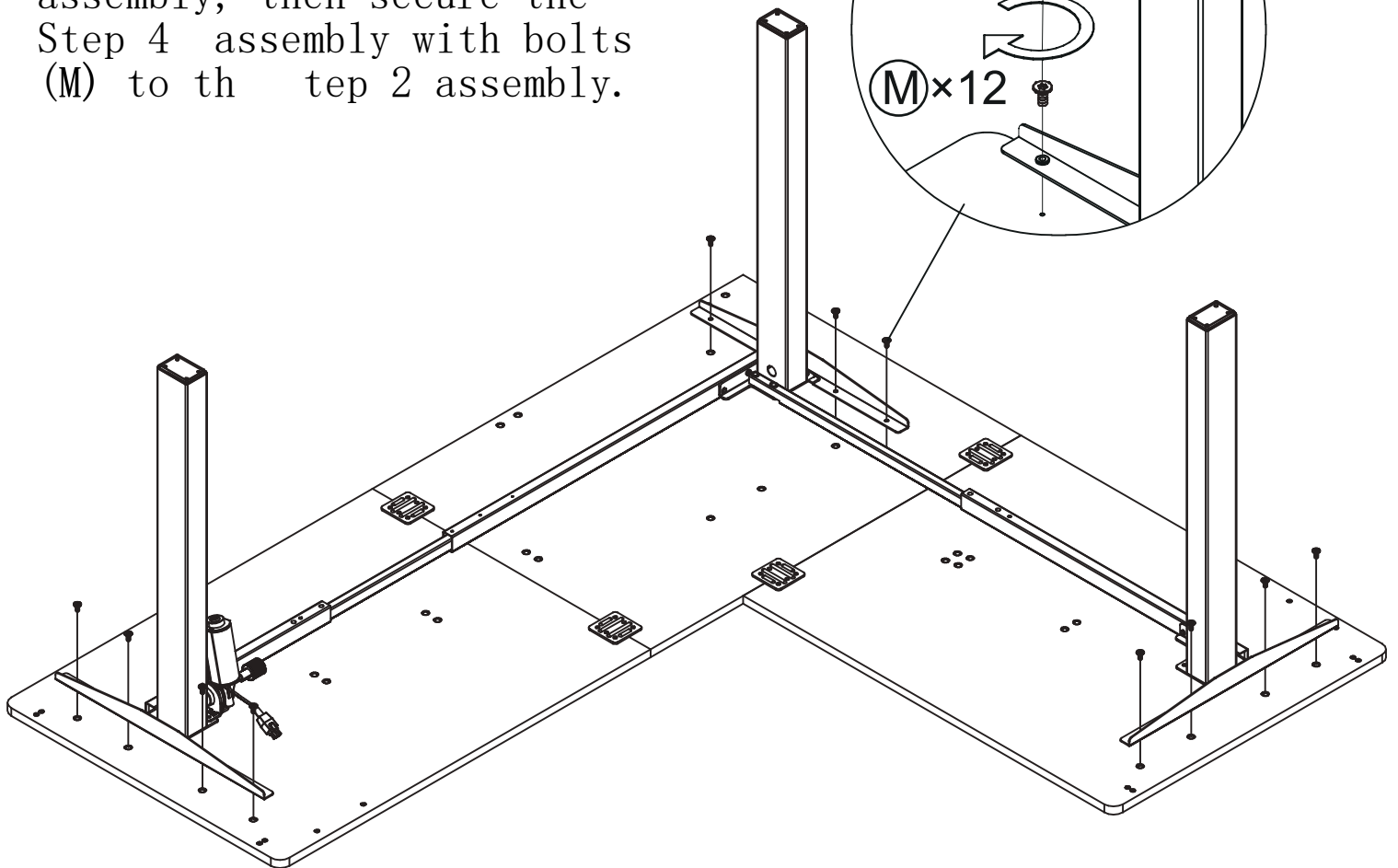
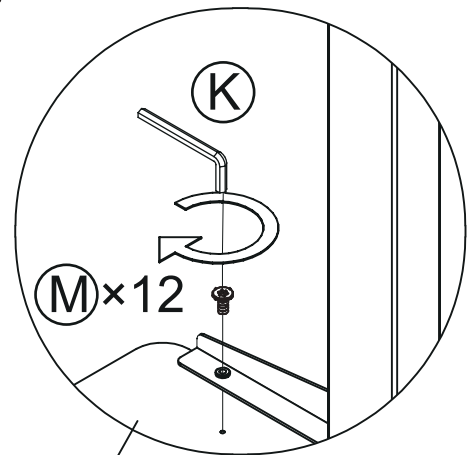
Fasten (15) to (2) with bolts (I).

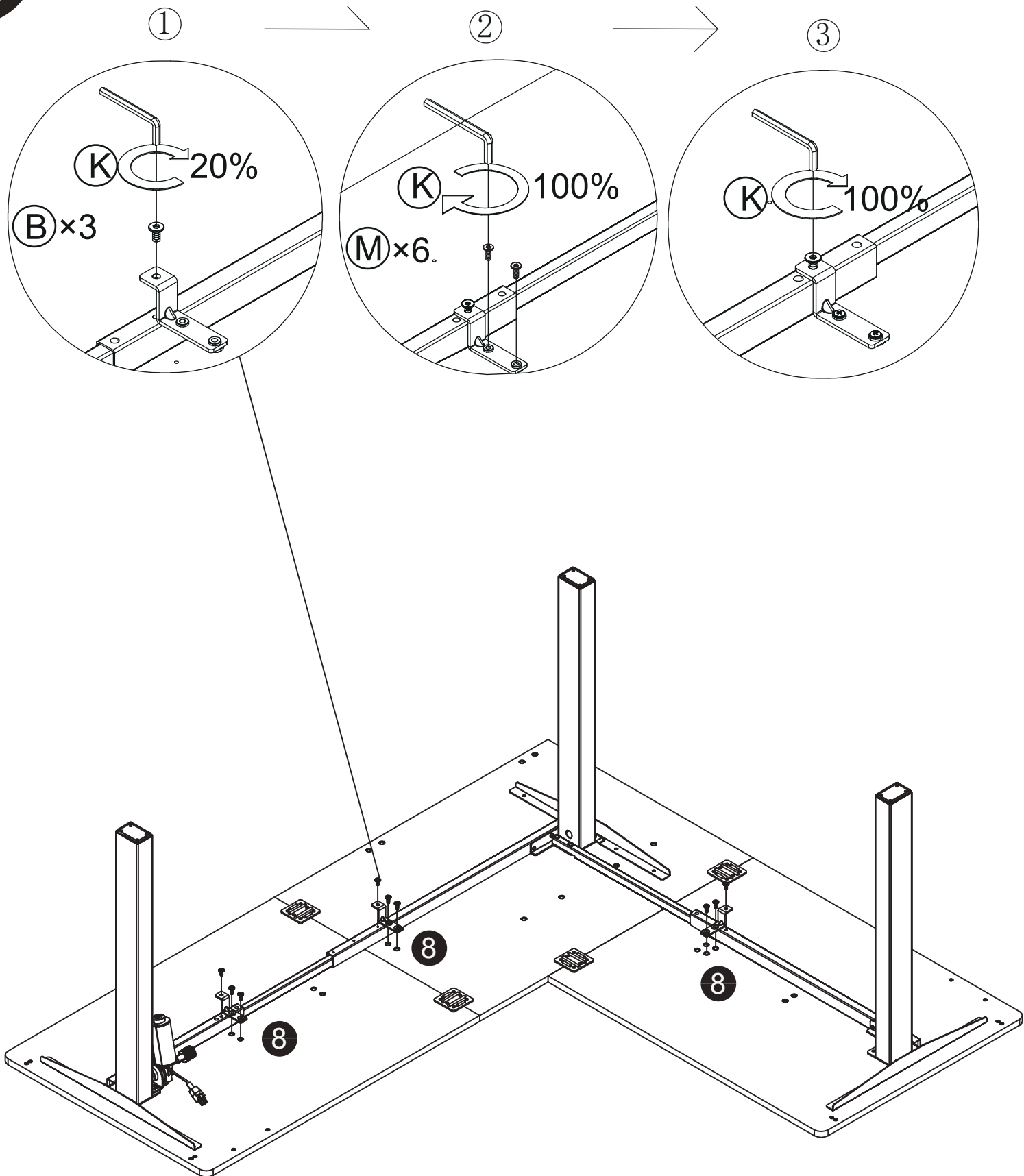


6



Insert (5) into the Step 4 assembly, then secure the Step 4 assembly with bolts (M) to the step 2 assembly.



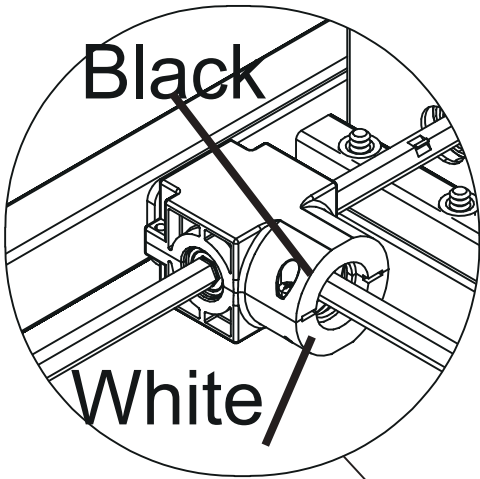


Fasten (8) to the assembly from the previous step with bolts (B) and (M).

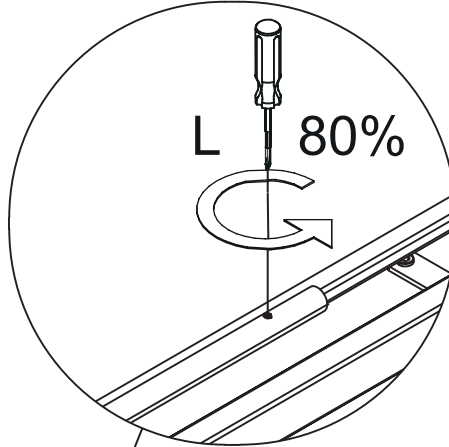
(B)  x3

(M)  x6

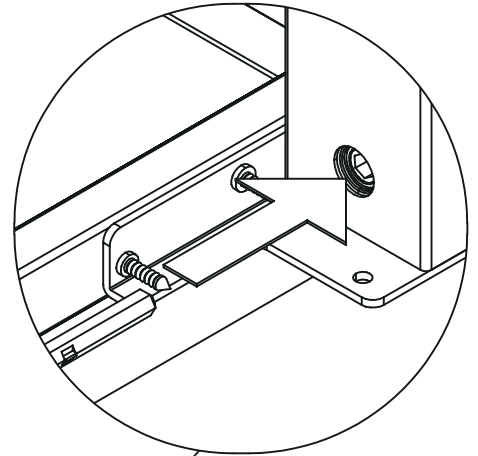
①



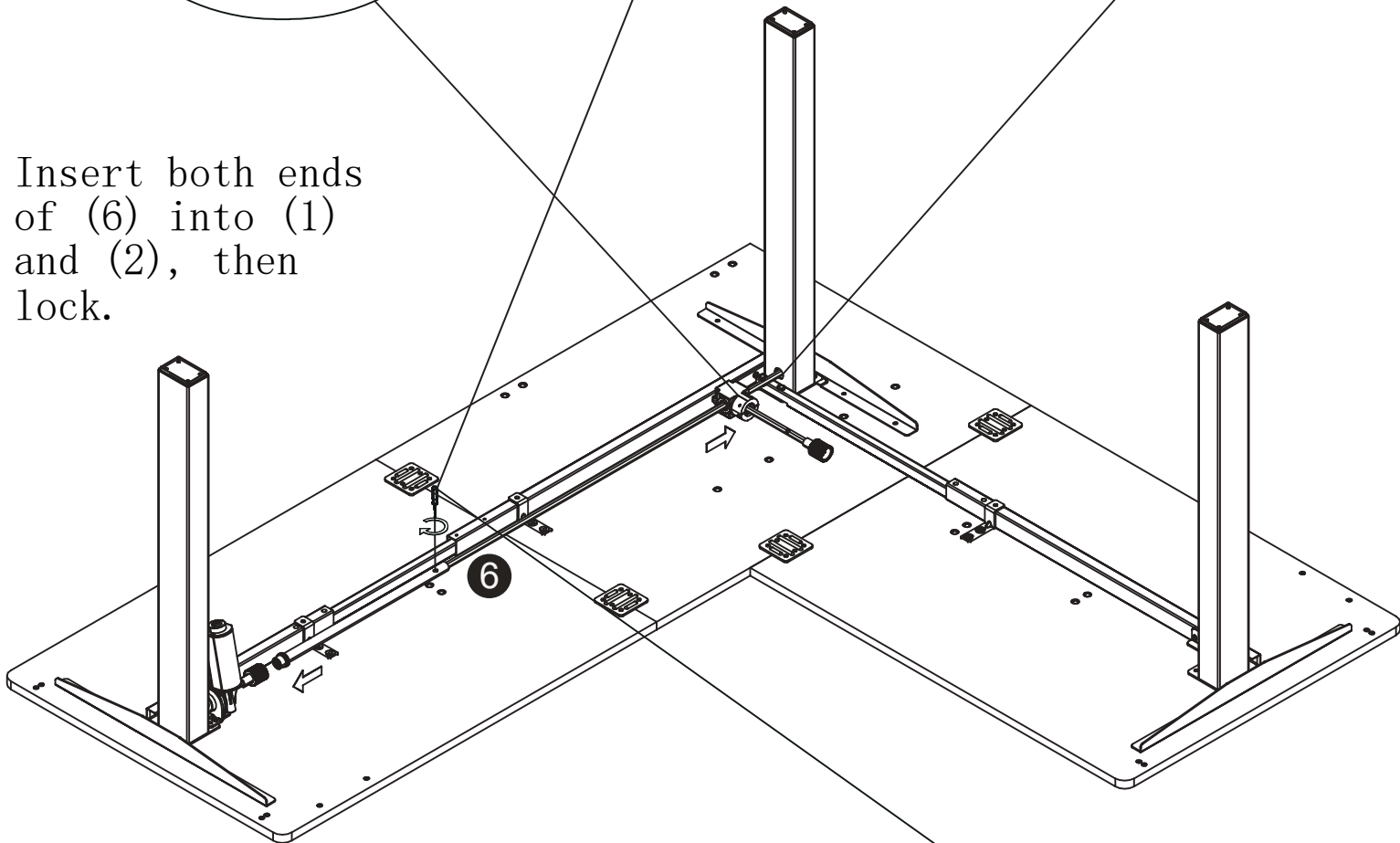
②



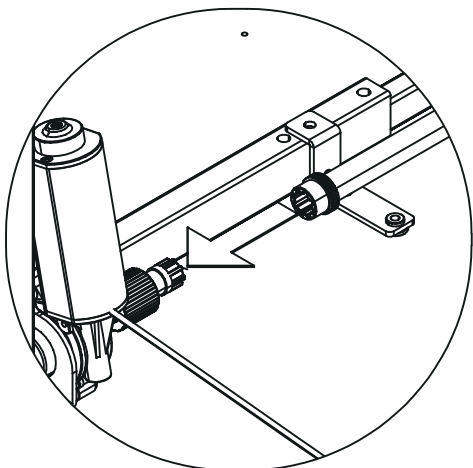
③



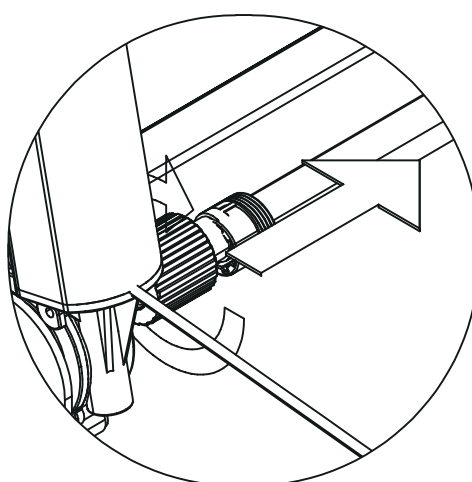
Insert both ends  
of (6) into (1)  
and (2), then  
lock.



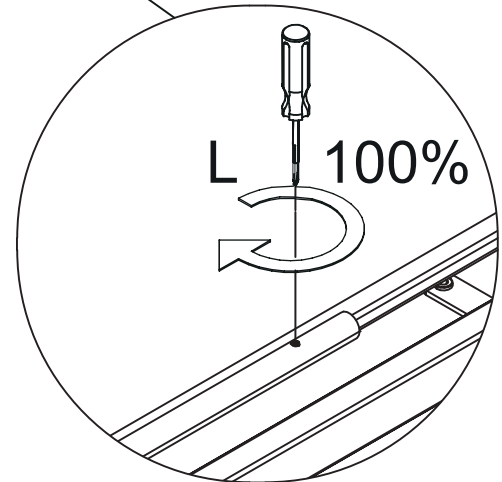
④



⑤



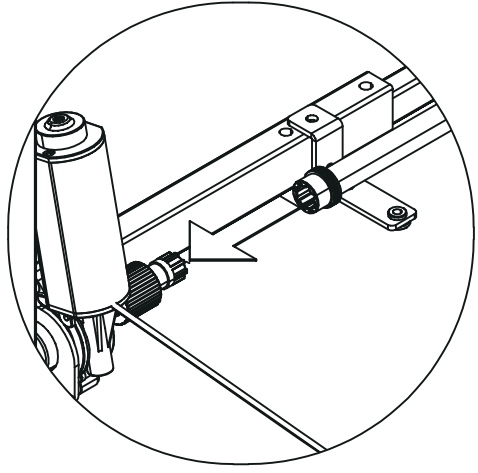
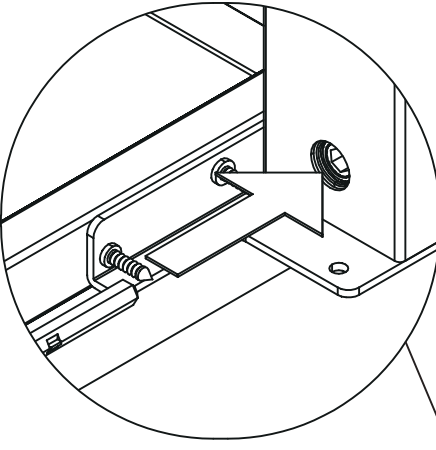
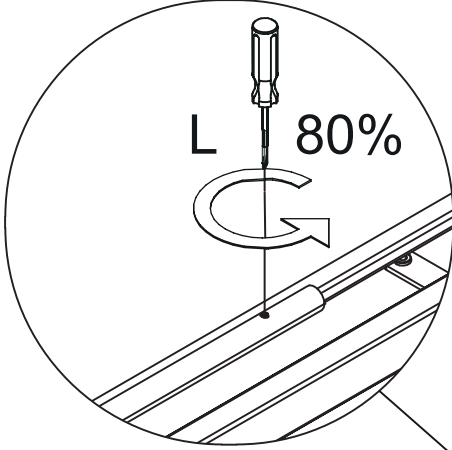
⑥



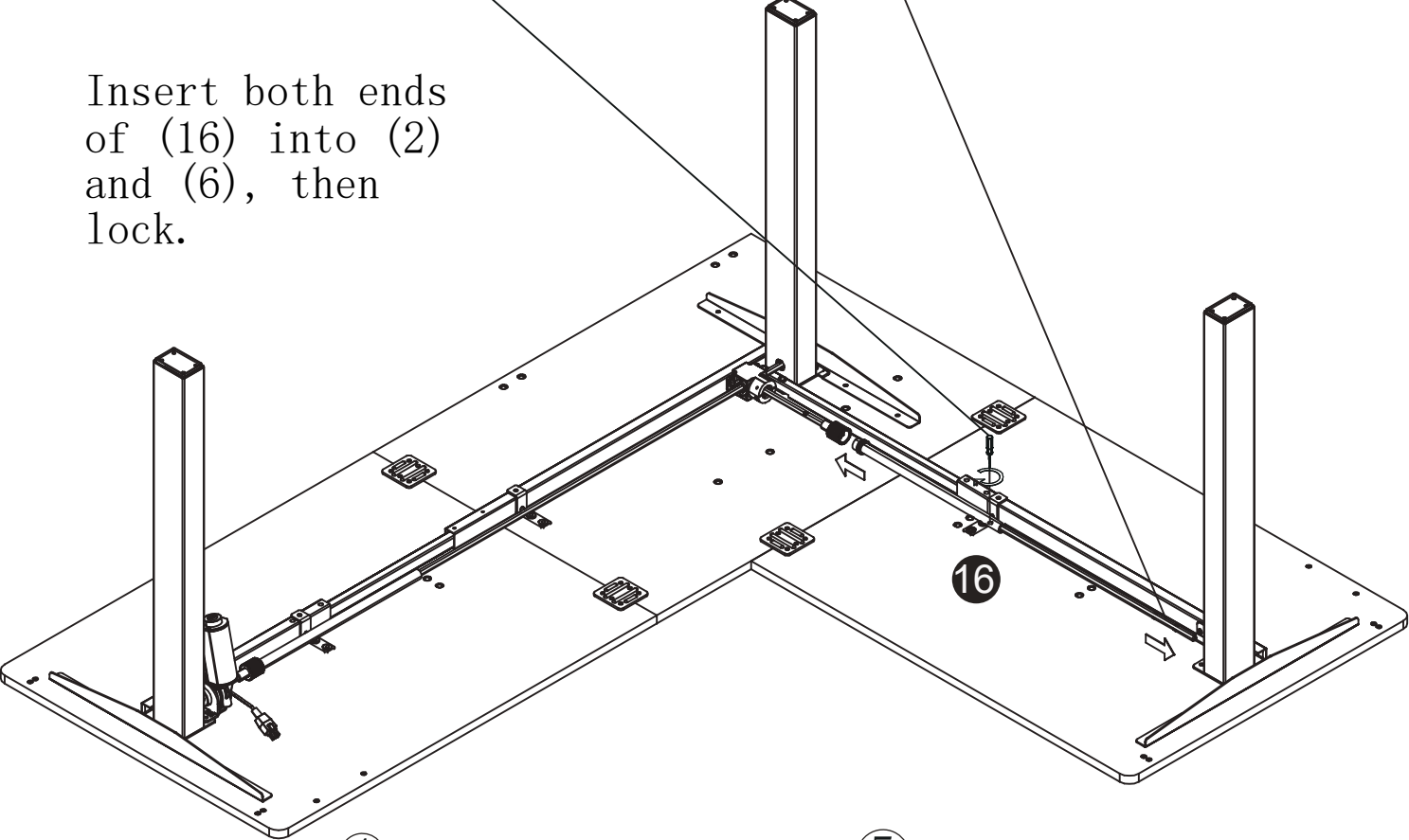
①

②

③

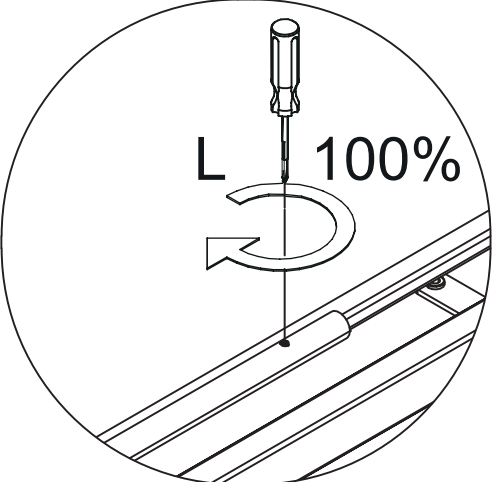
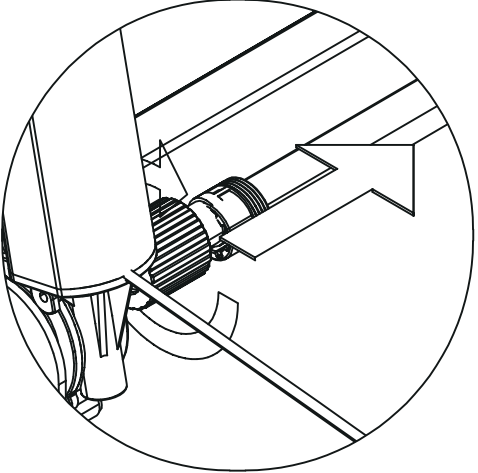


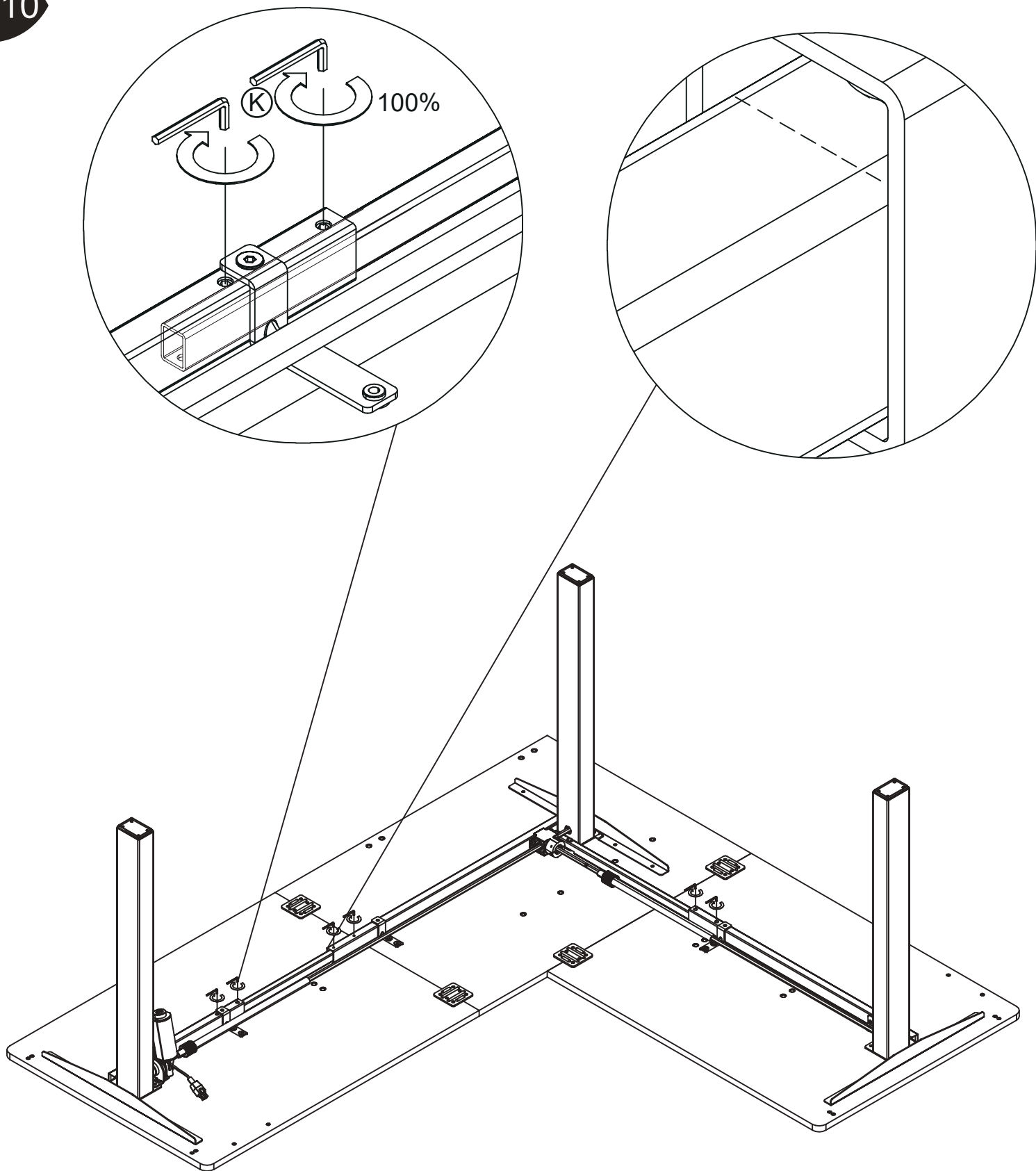
Insert both ends of (16) into (2) and (6), then lock.



④

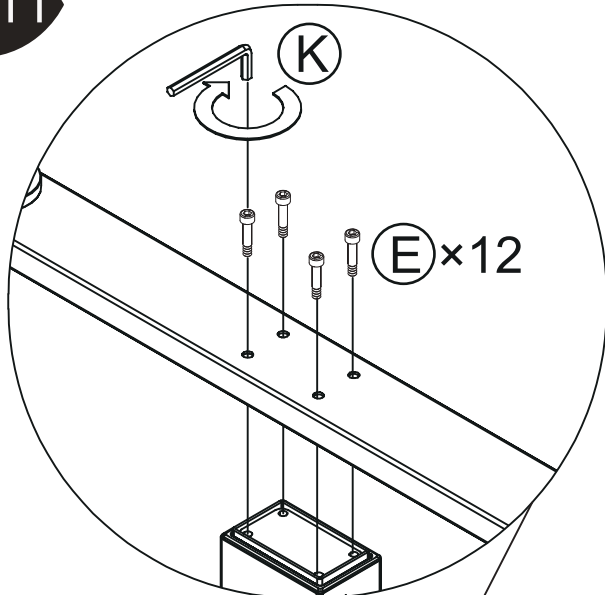
⑤



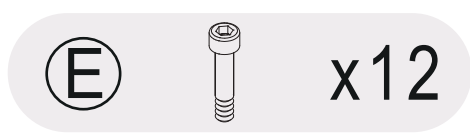
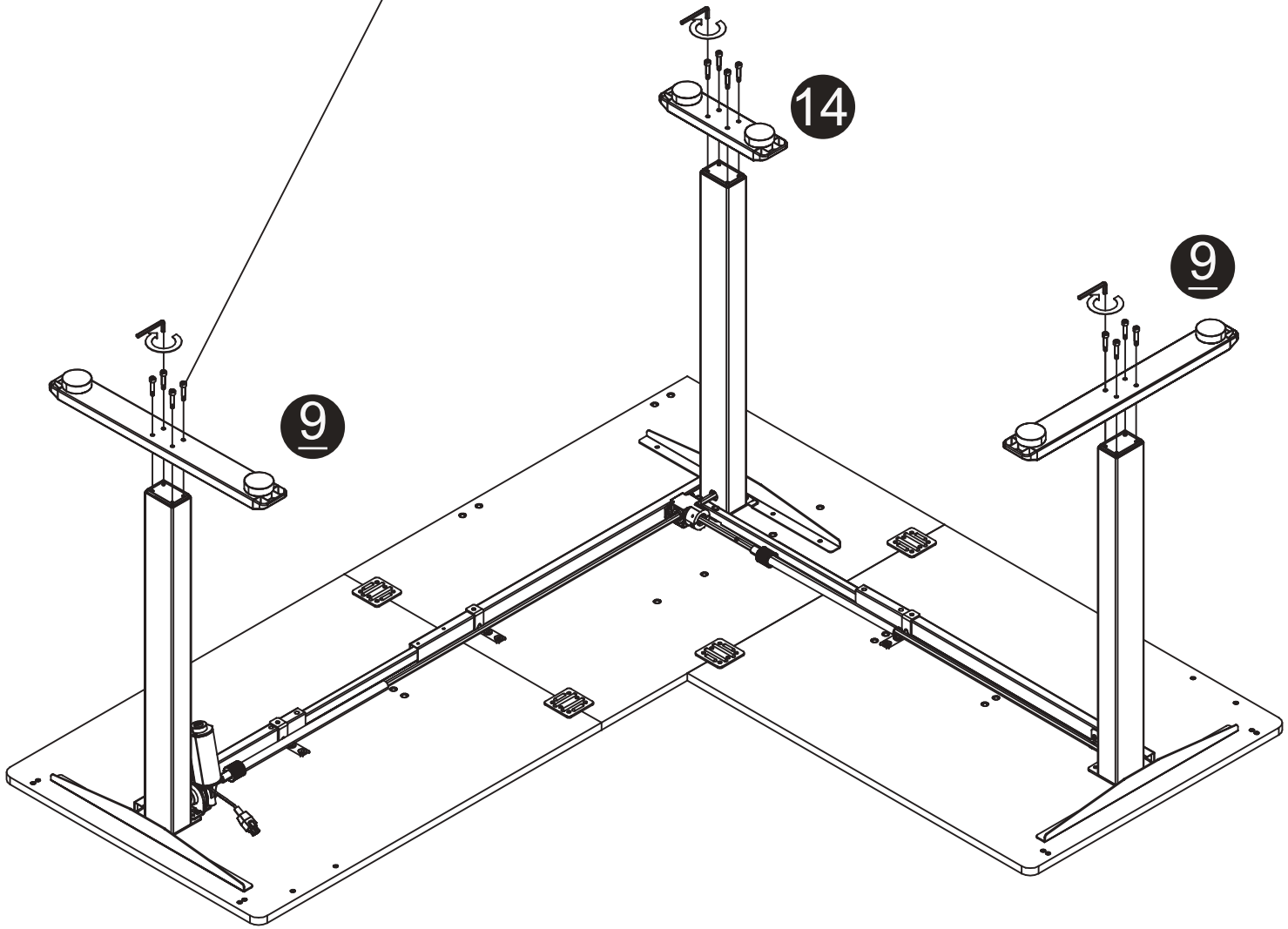


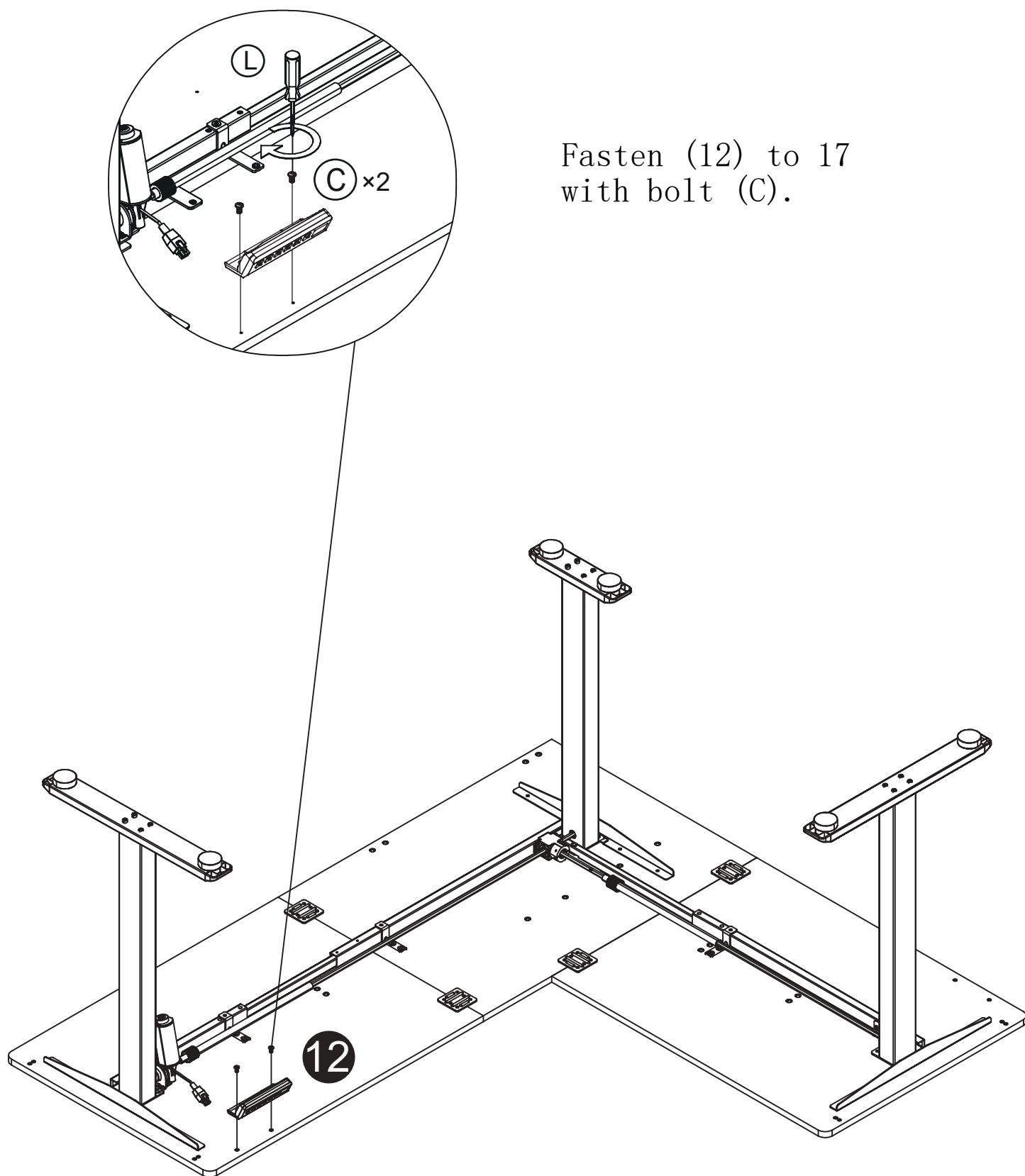
Tighten the assembly from the previous step.

11



Fasten (9) to the assembly of the previous step with a bolt (E).

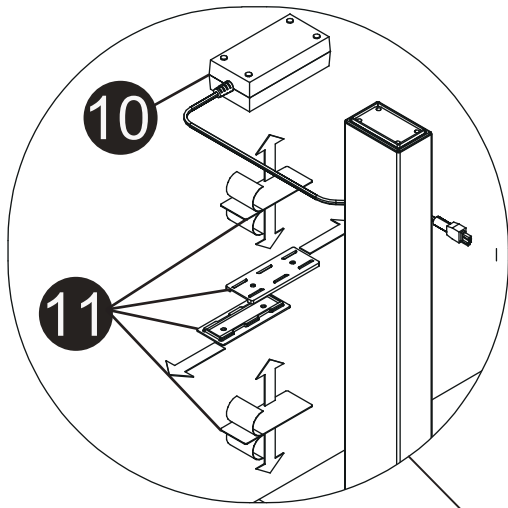




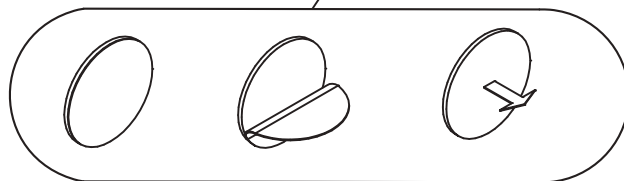
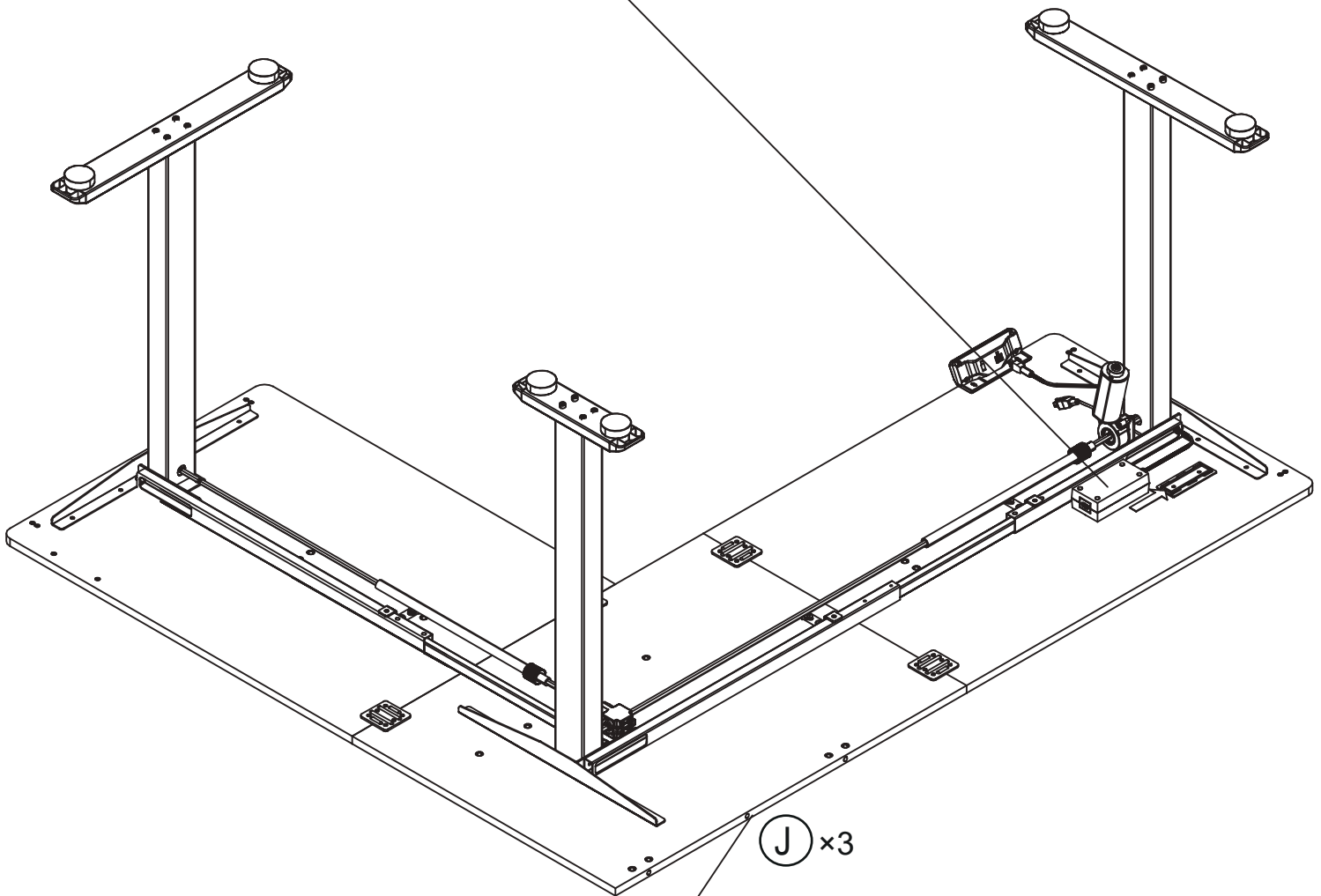
C



x2



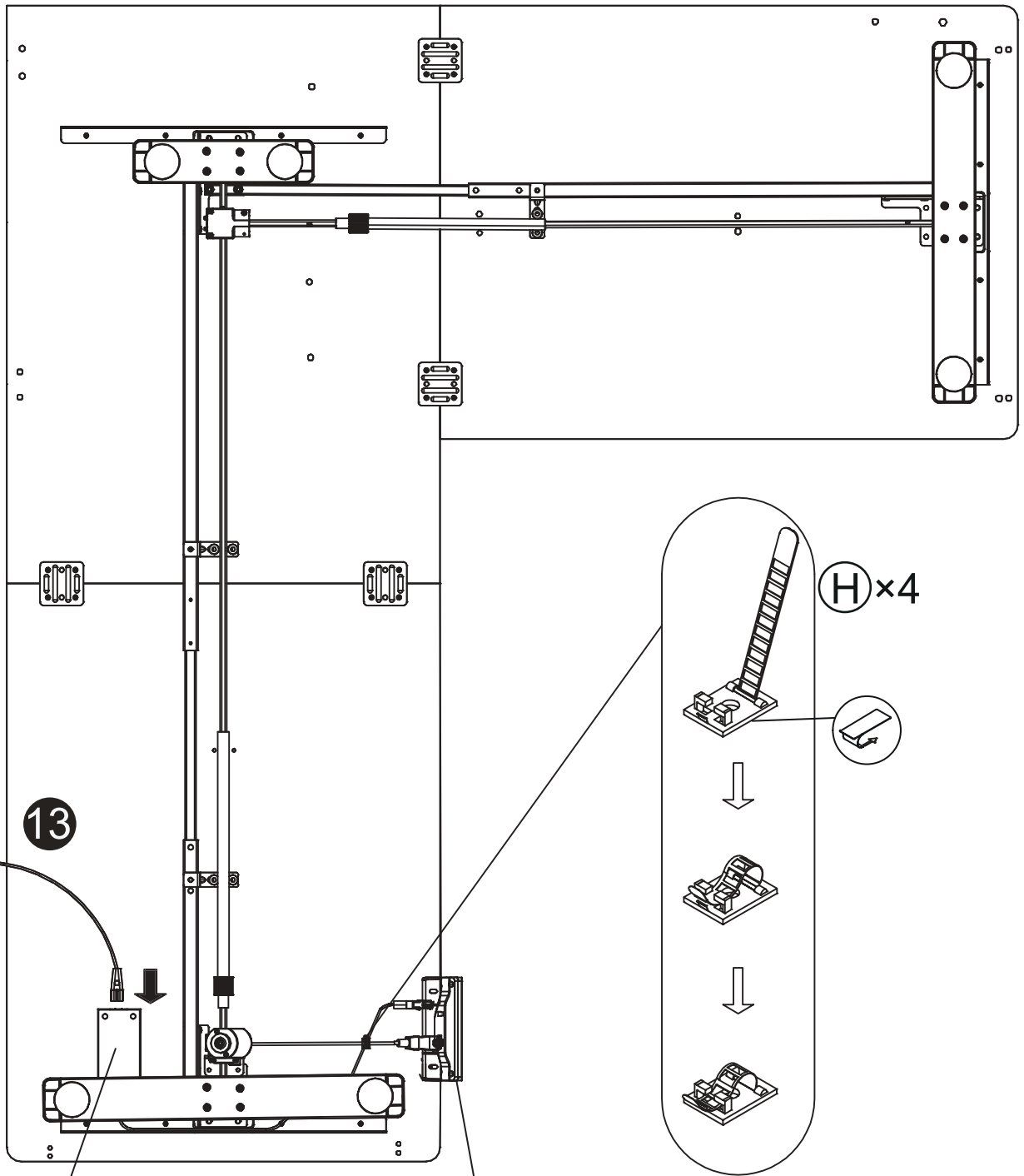
Assemble (10) and (11) onto the assembly from the previous step, then attach (J) to the side of the countertop.



J



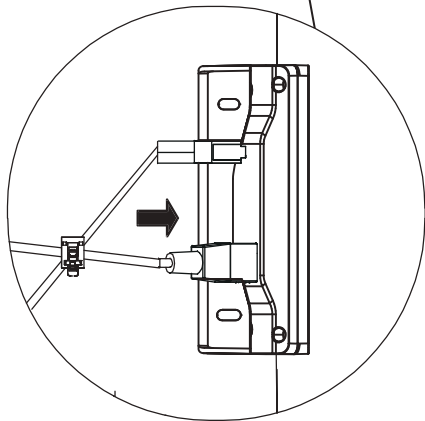
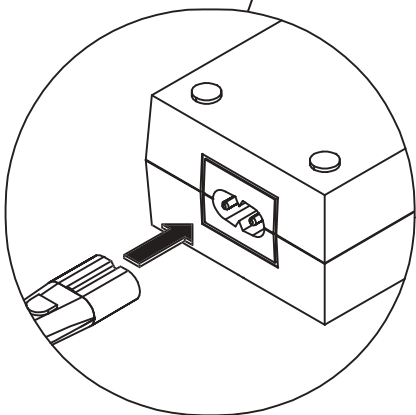
x3



13

H x 4

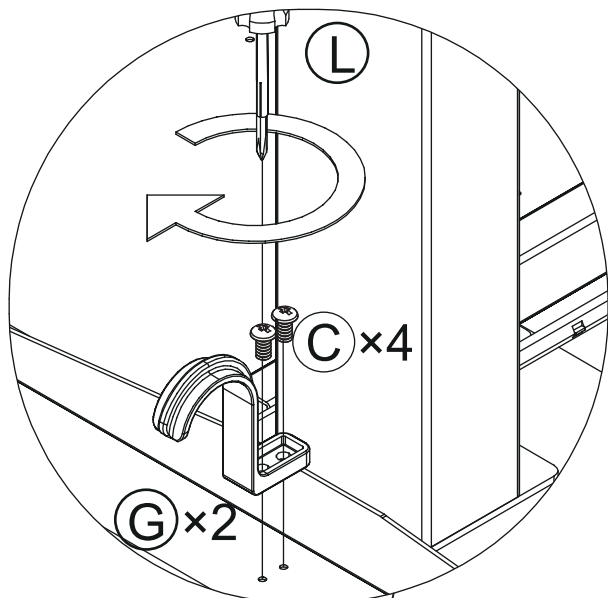
Plug the power cord (13) into (10) and secure it with a cable tie.



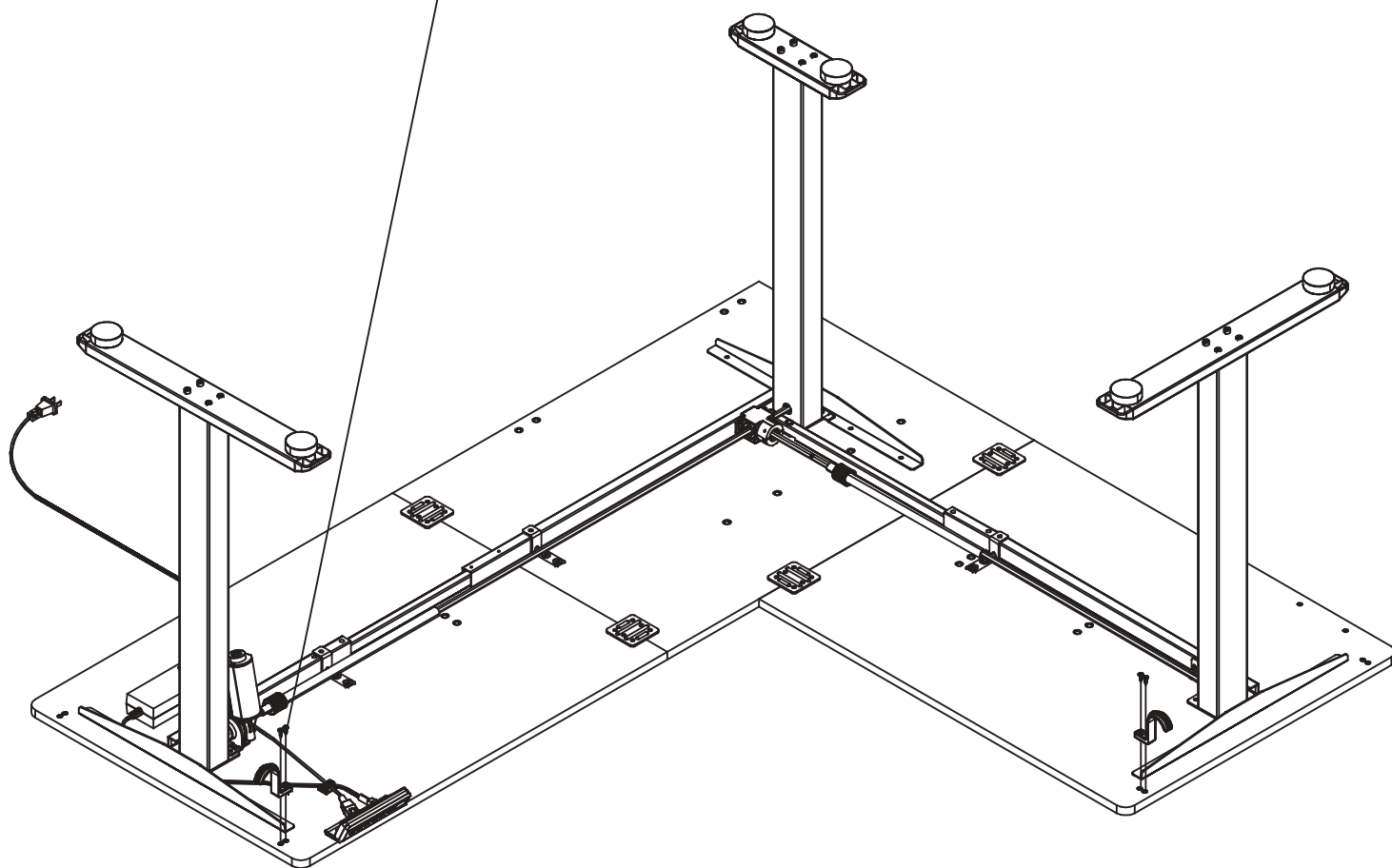
H



x4



Fasten (G) to (17) and (19) with bolts.



(C)



x4

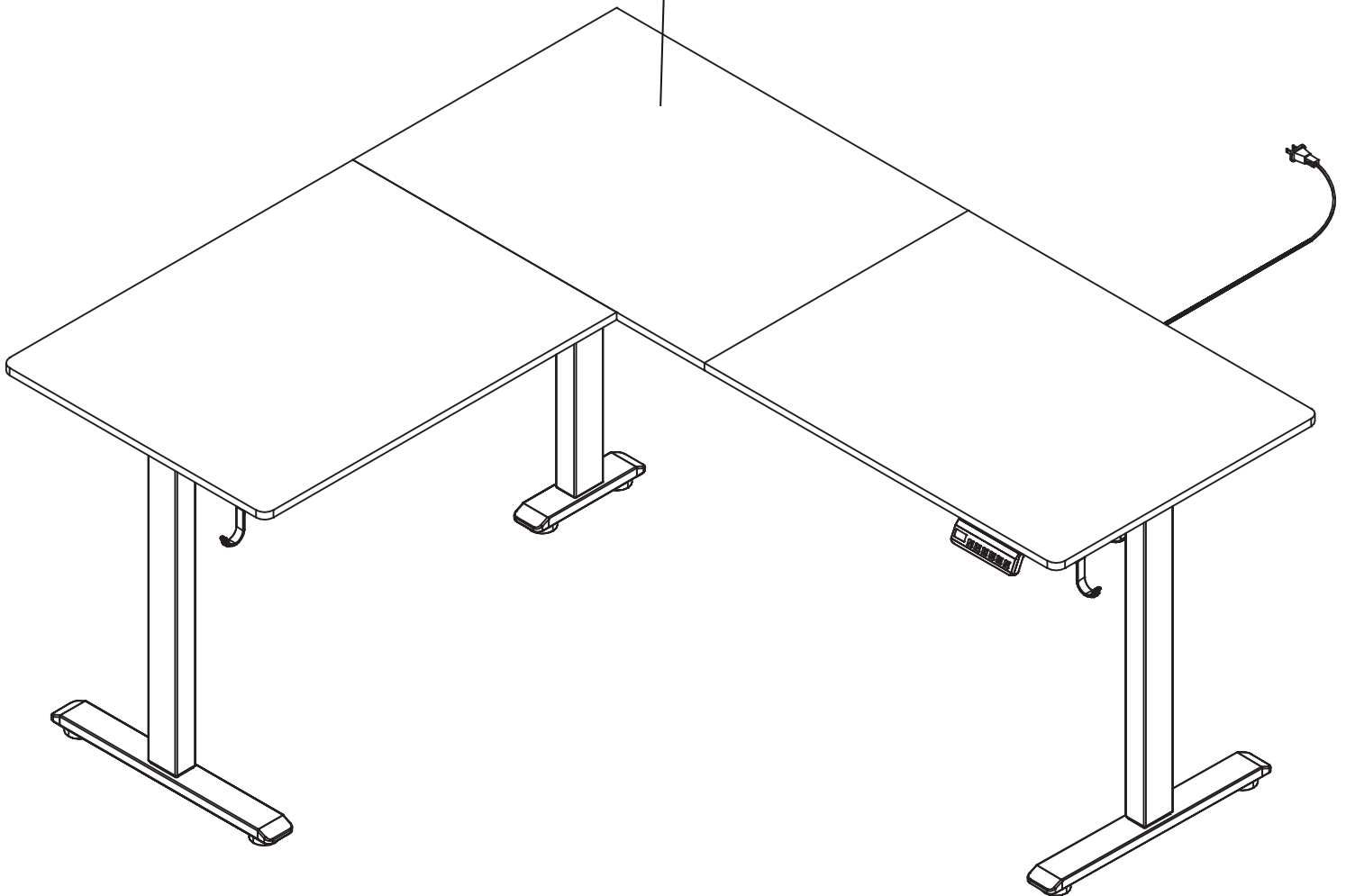
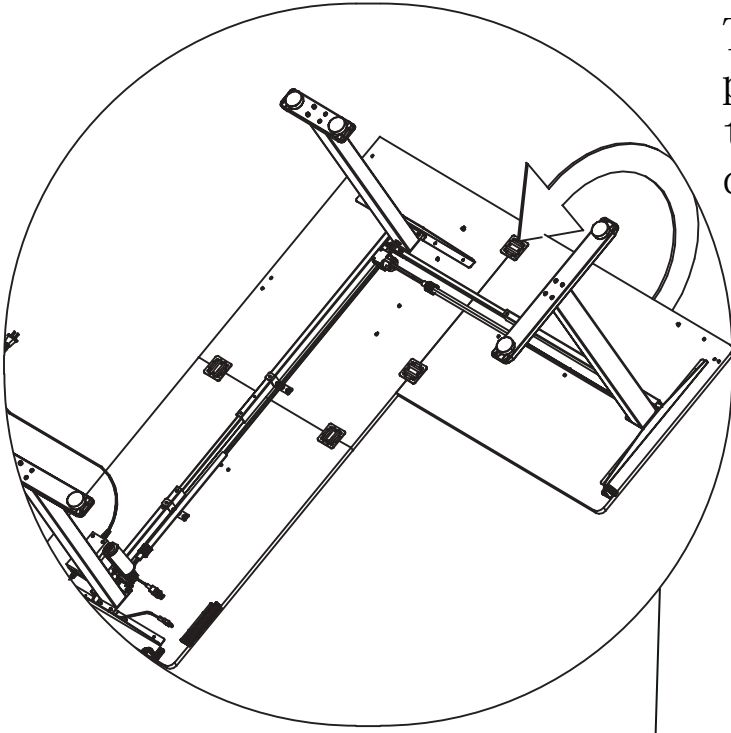
(G)



x2

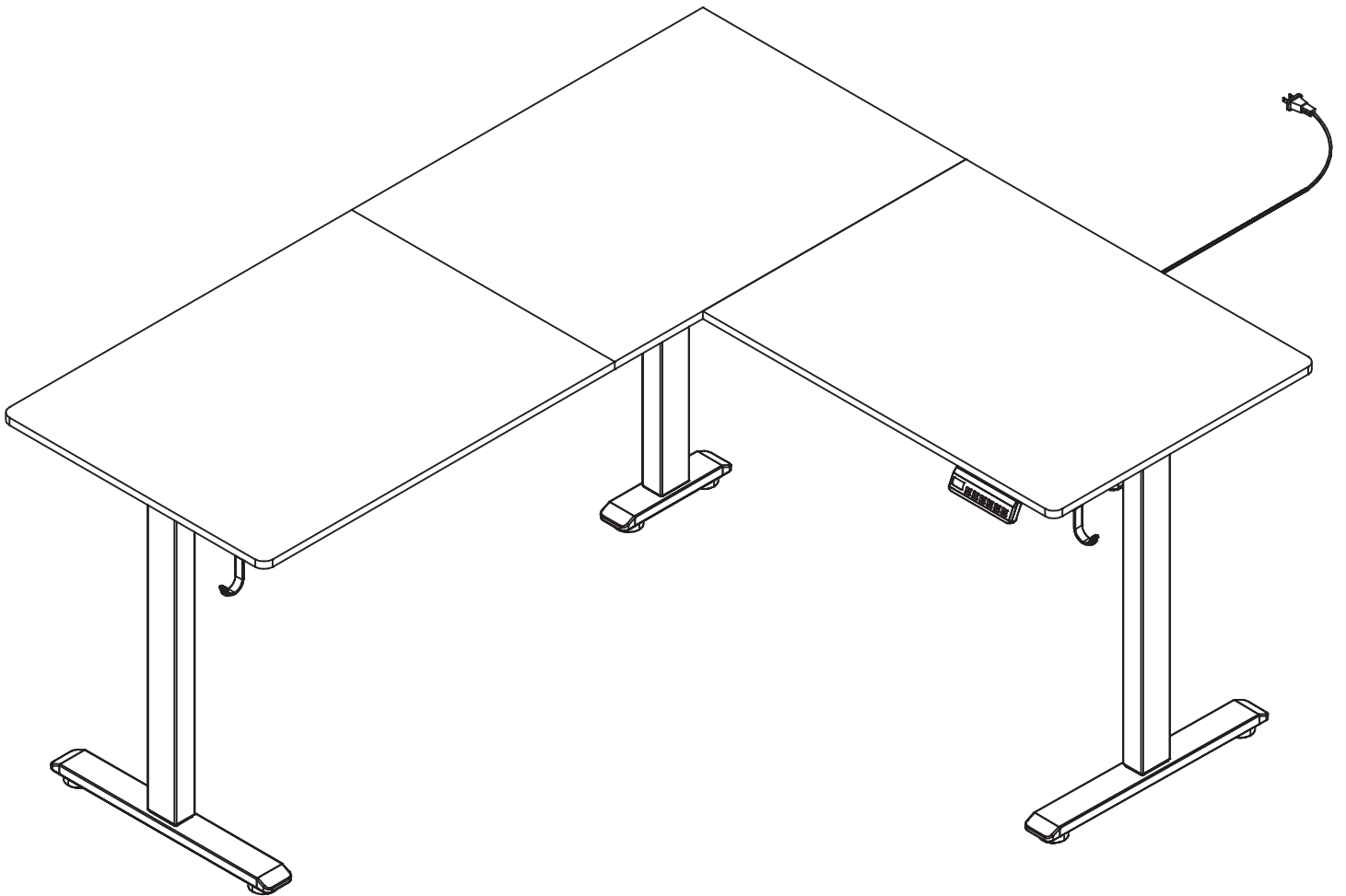
16

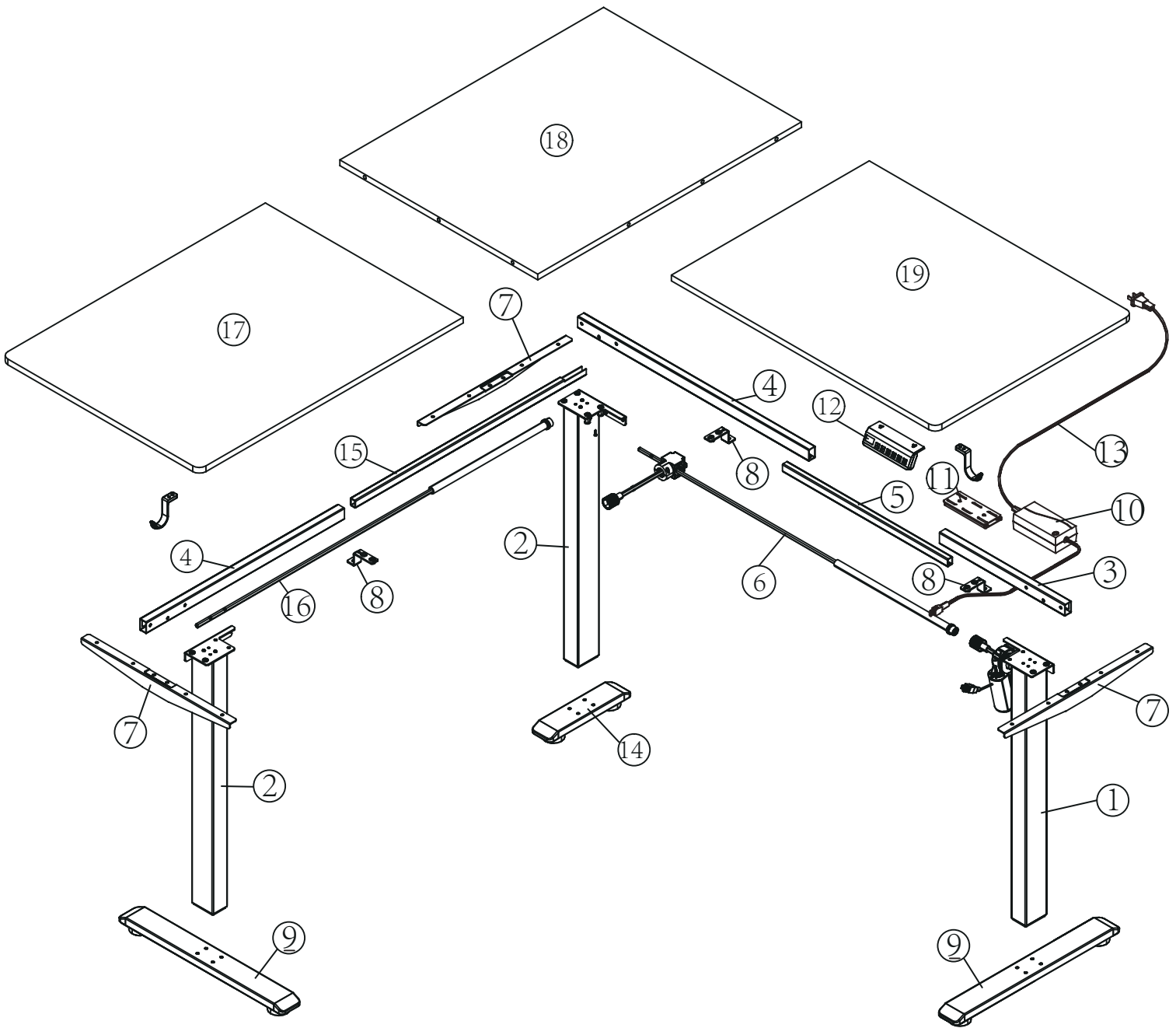
Turn the assembly of the previous step over and the installation is complete.



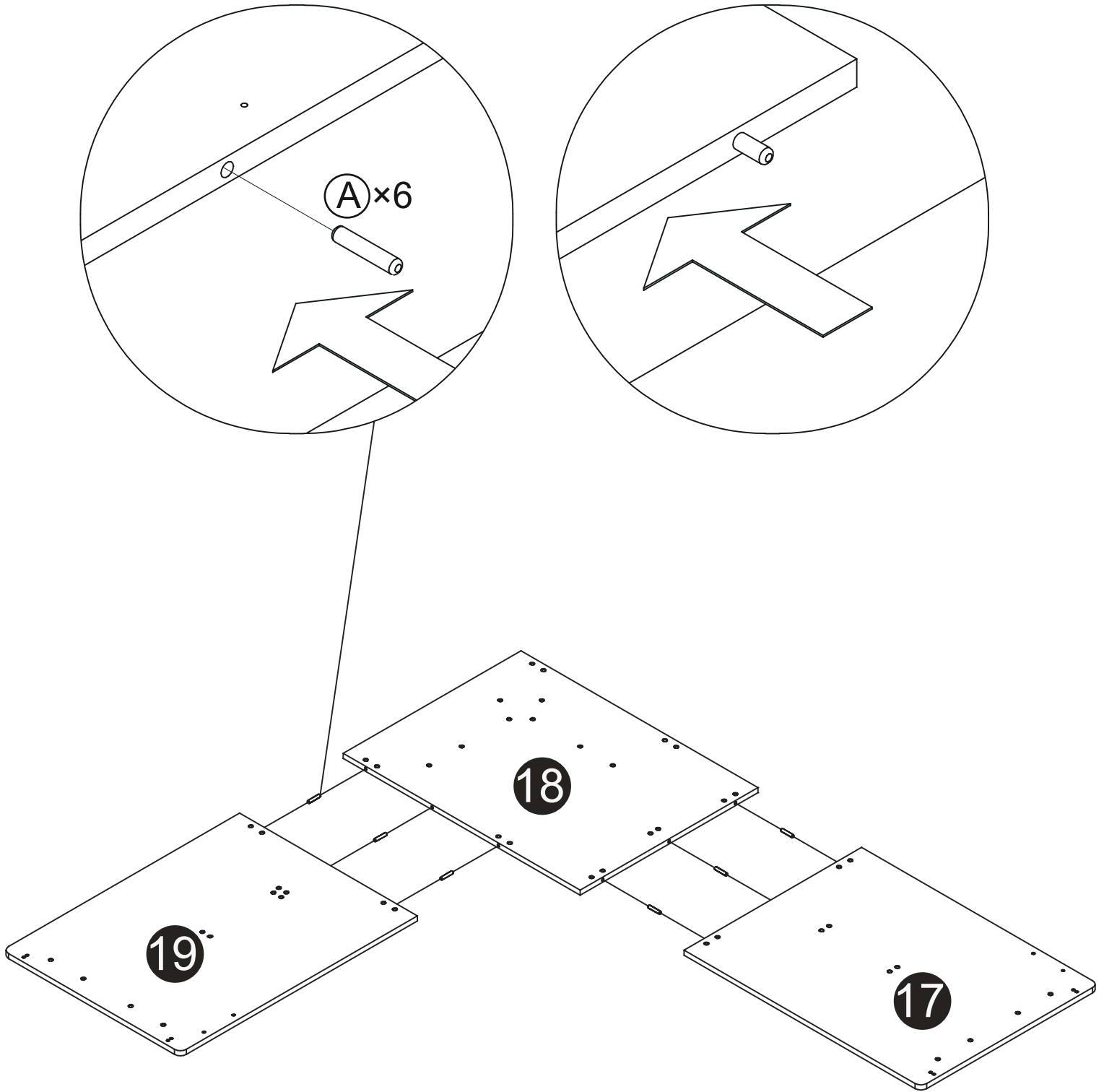
# Installation Instructions

Please read the installation instructions carefully before instructions. The front and back of board are different. Be sure to see it clearly before operation. Please pay attention to the size of the screws.

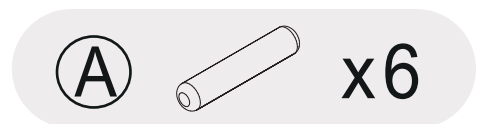




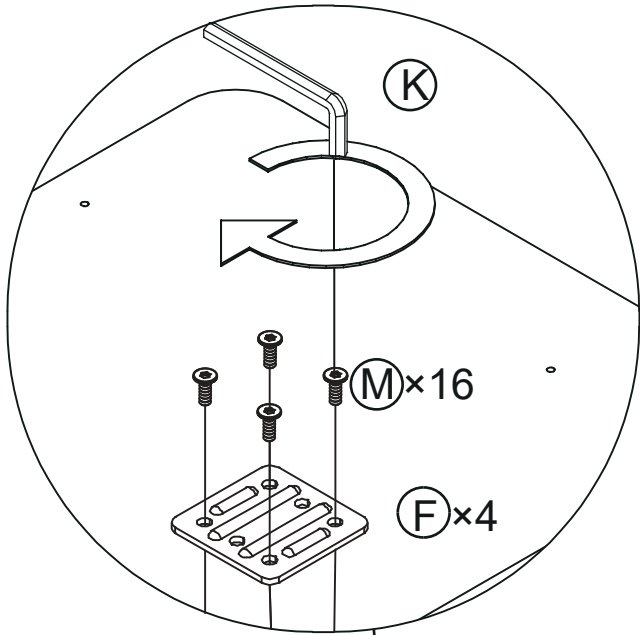
1



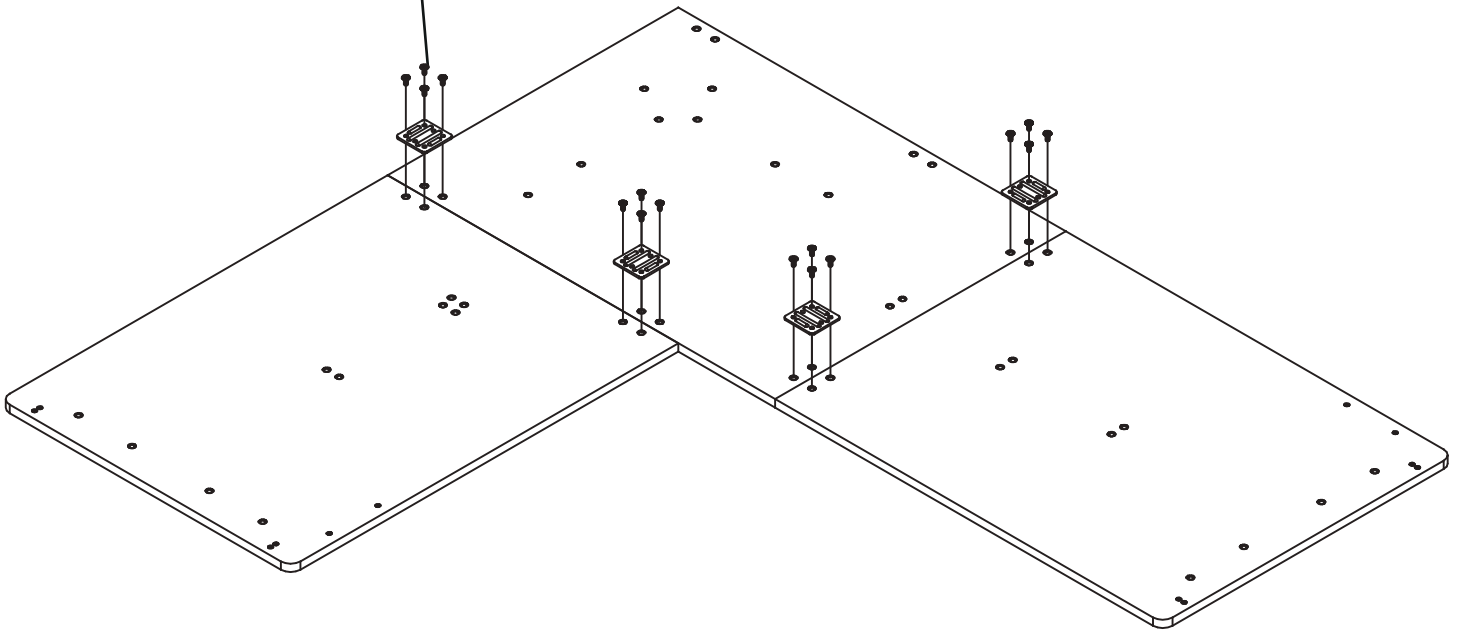
Fasten (17) with (18) and (19)  
together with wooden peg (A).



2



Tighten the assembly of Step 1 with bolts (M) and (F).

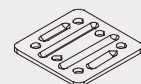


(M)

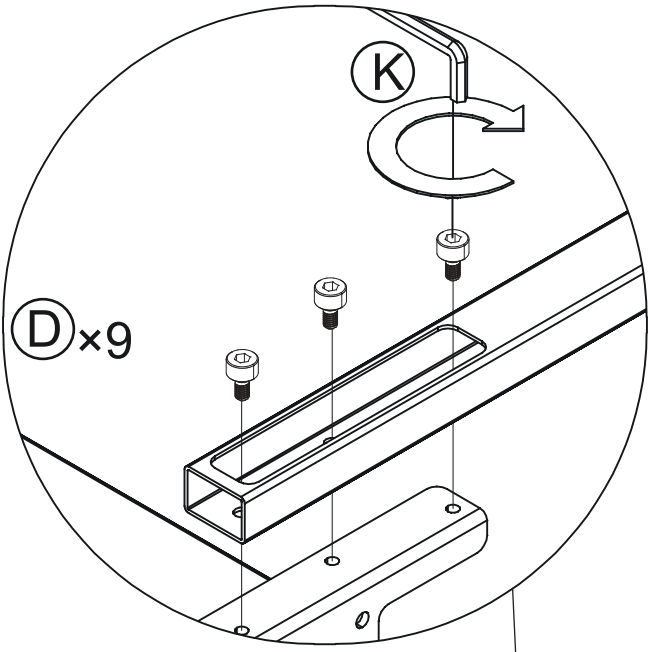


x16

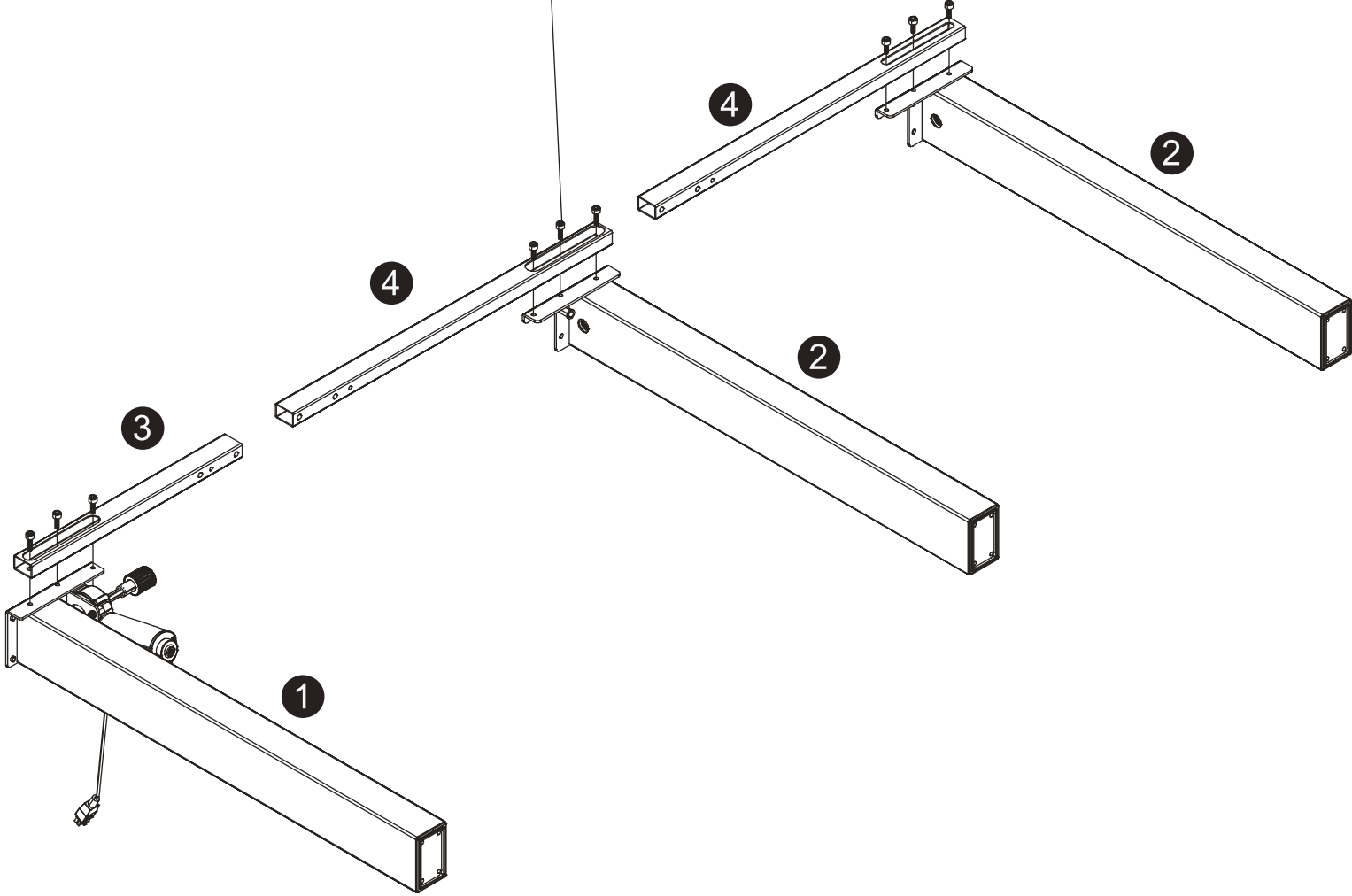
(F)




x4

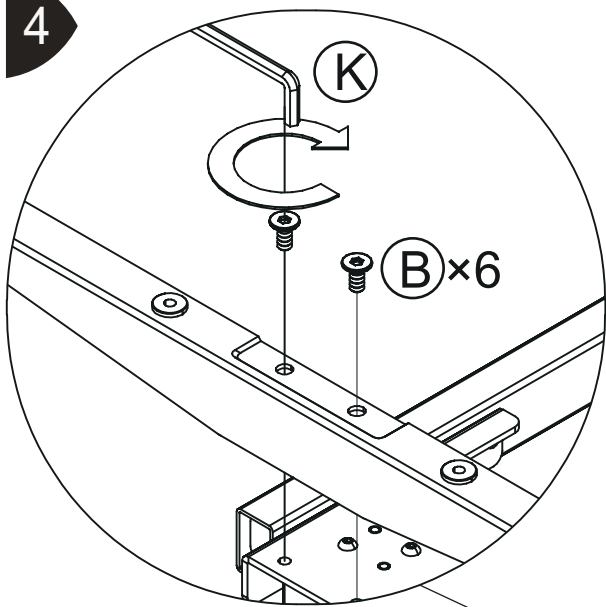


Fasten (4) to (2) with a bolt (D), then fasten (3) to (1).

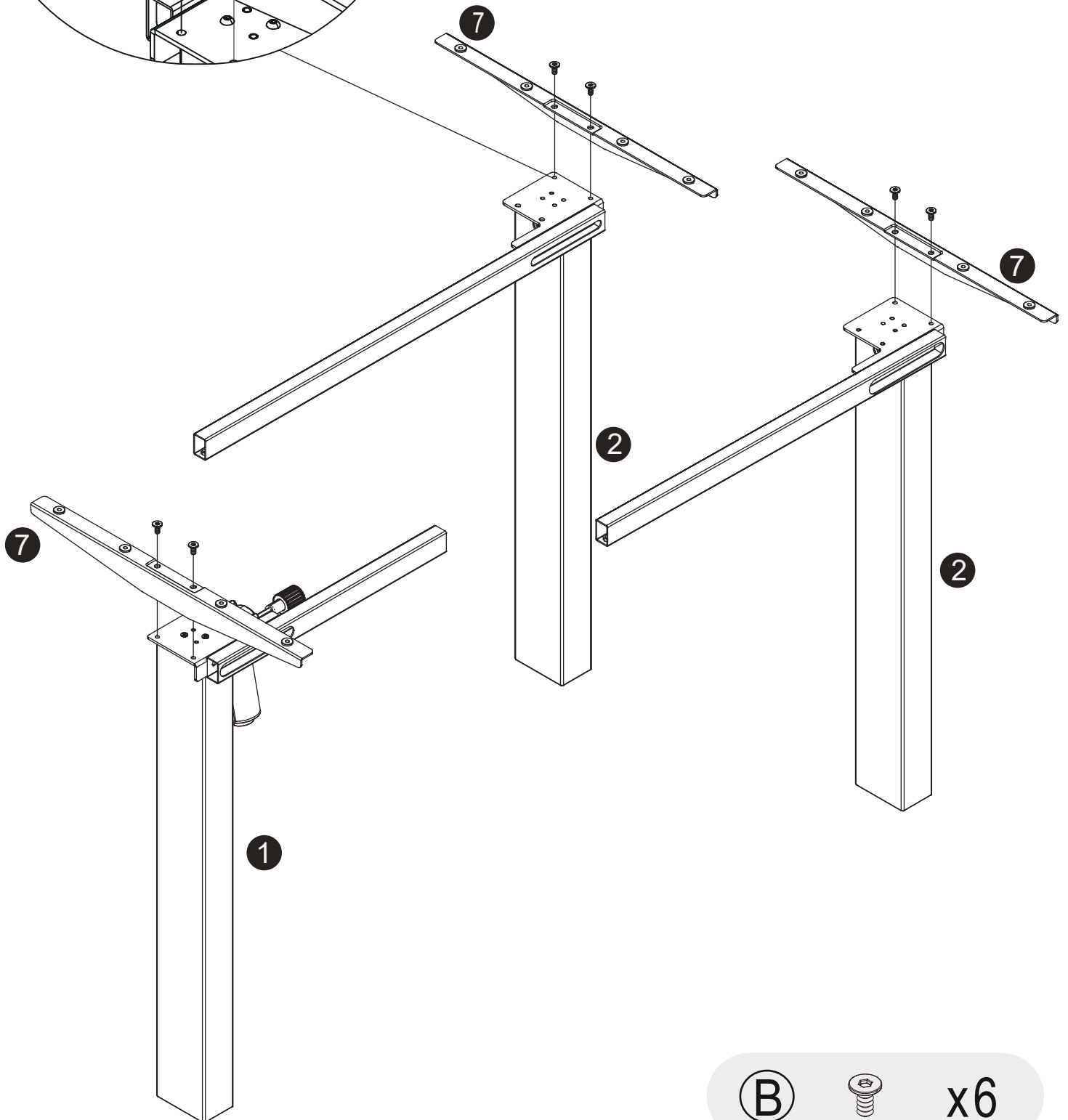


(D)  x9

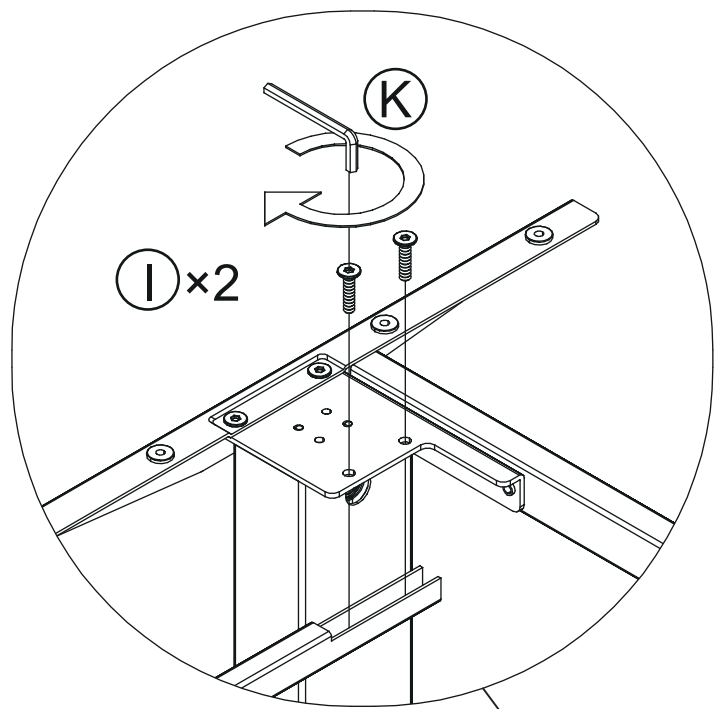
4



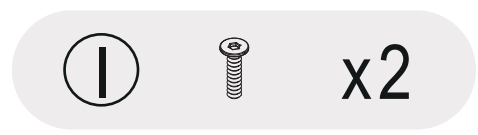
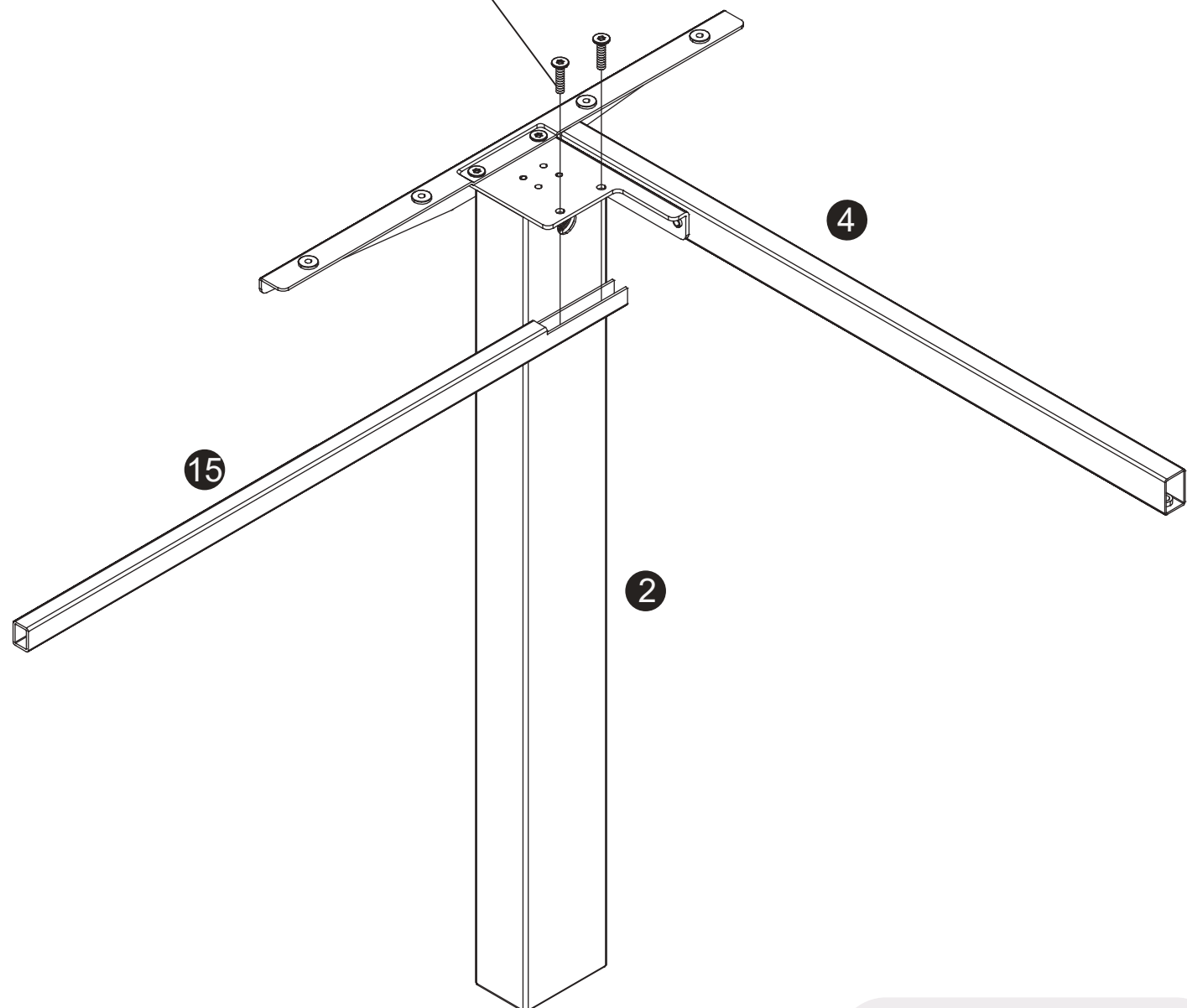
Fasten (7) to (1) and (2) with bolts (B).



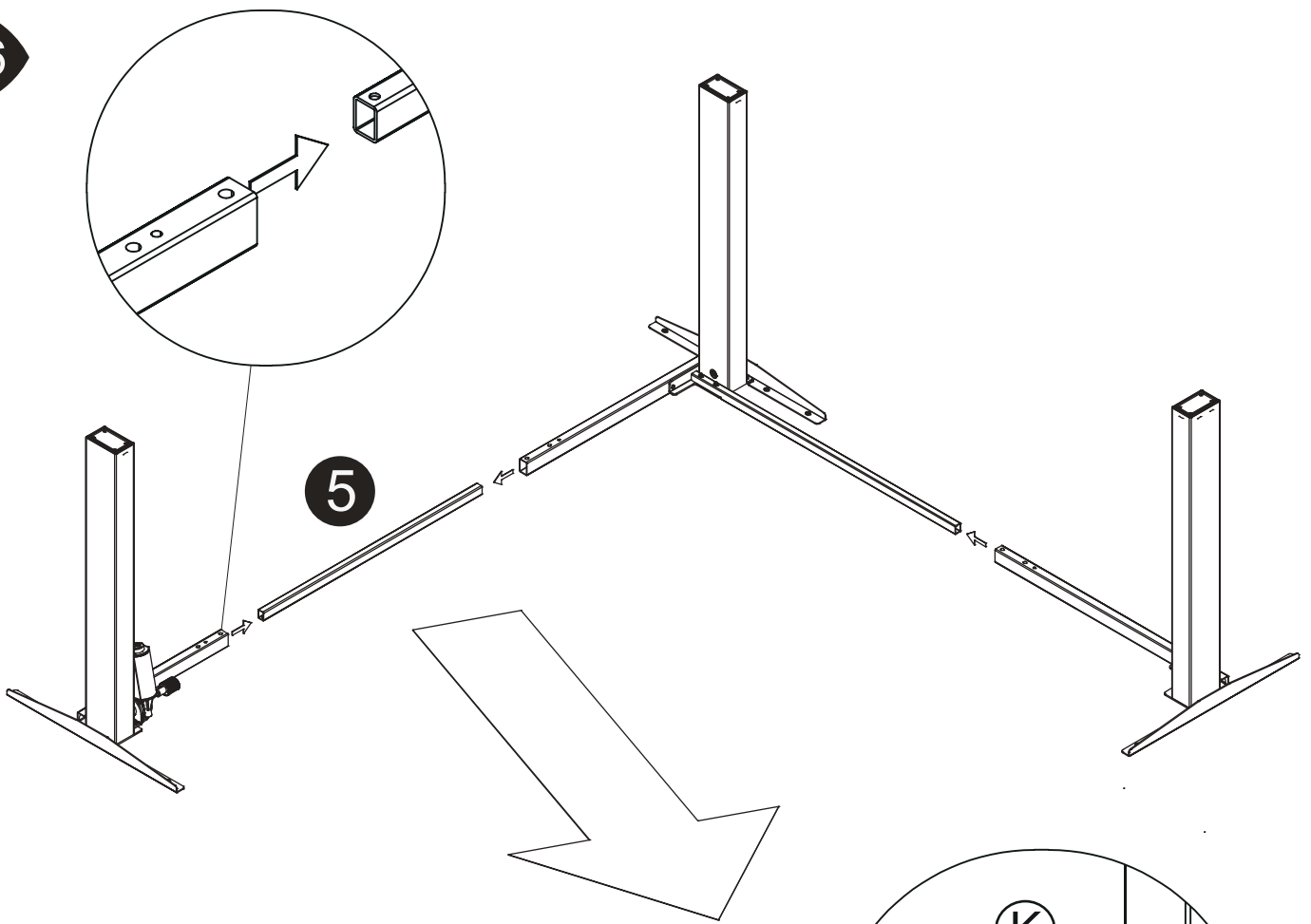
5



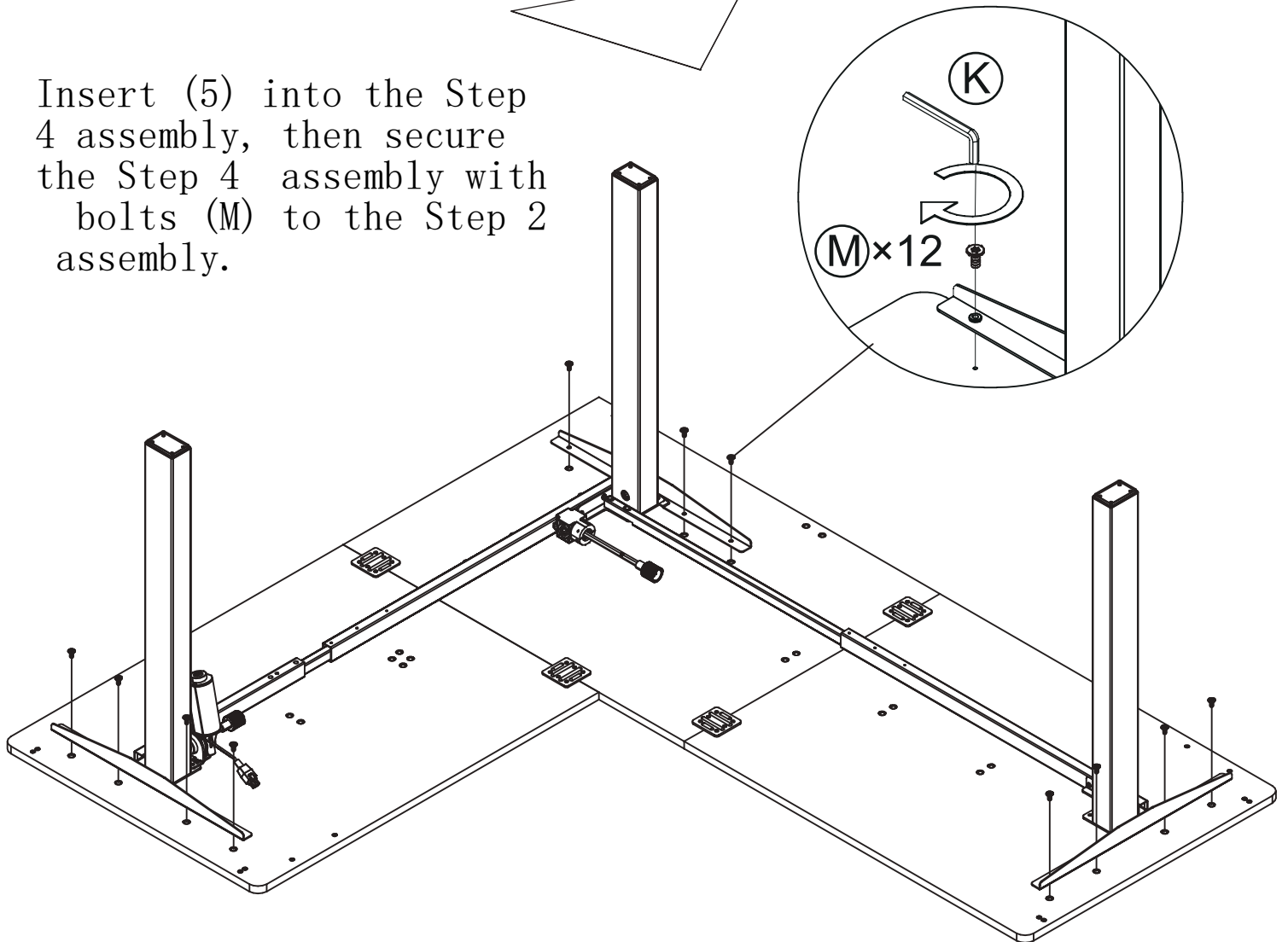
Fasten (15) to (2)  
with bolts (I).

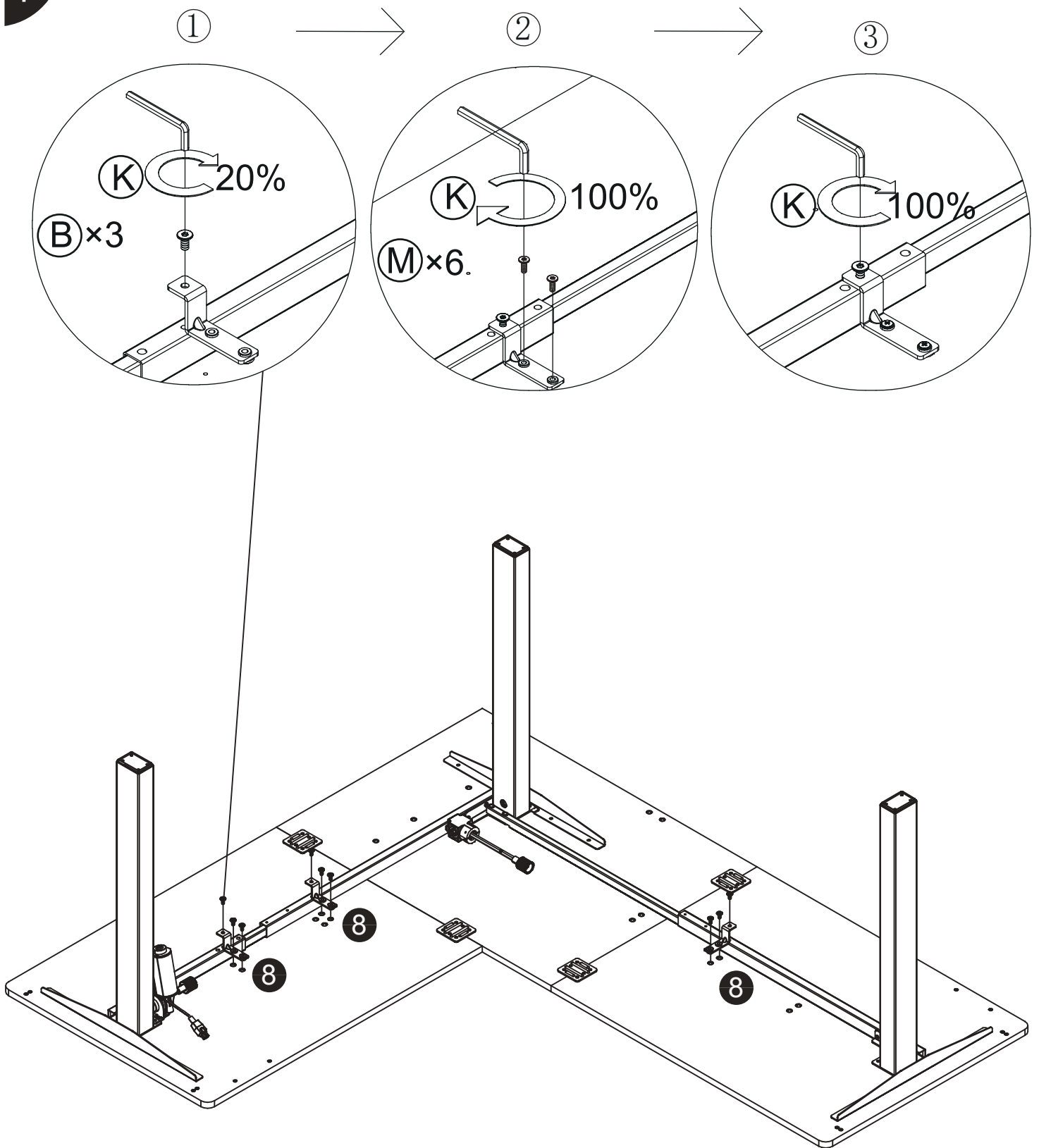


6





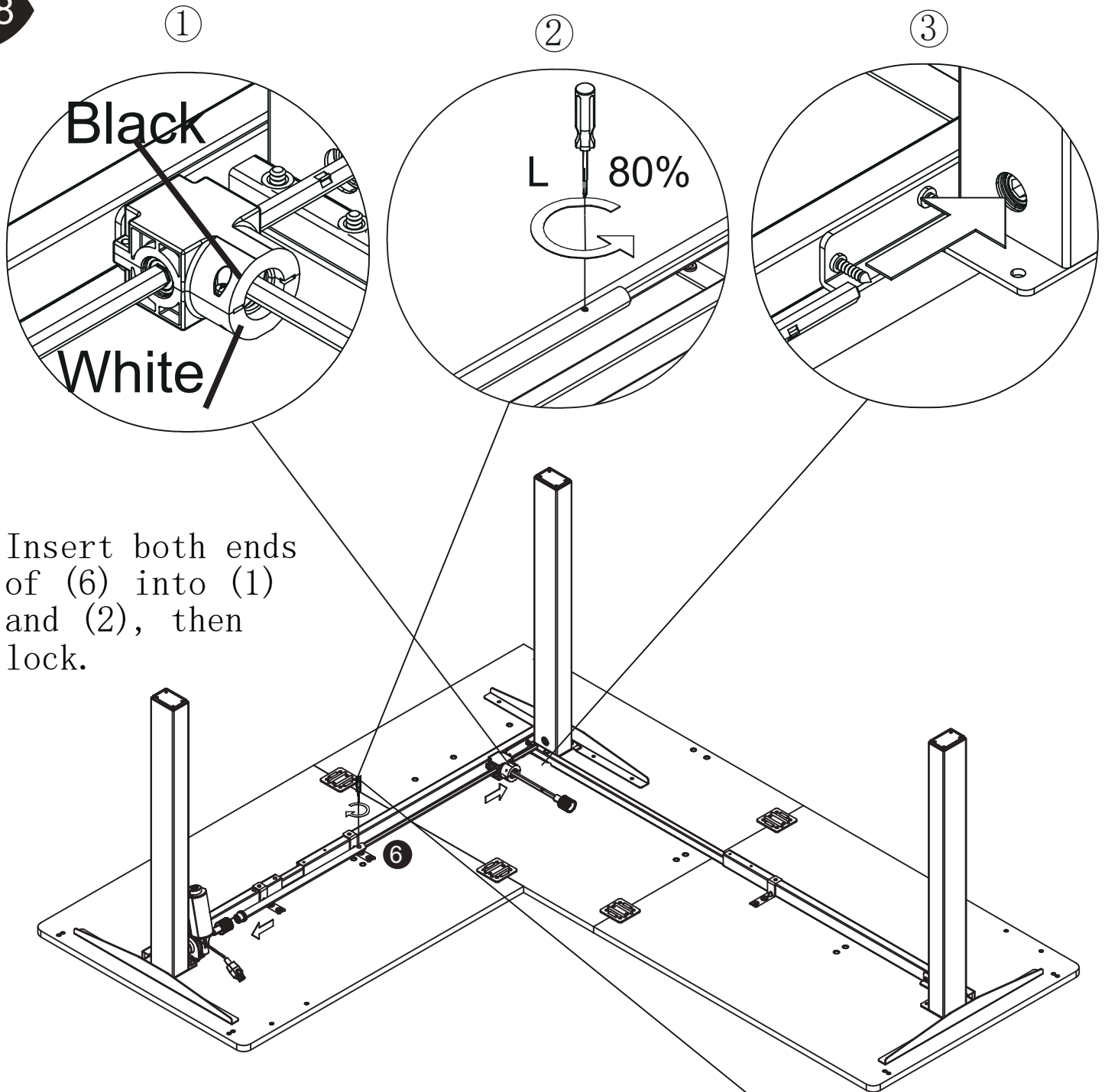
Insert (5) into the Step 4 assembly, then secure the Step 4 assembly with bolts (M) to the Step 2 assembly.



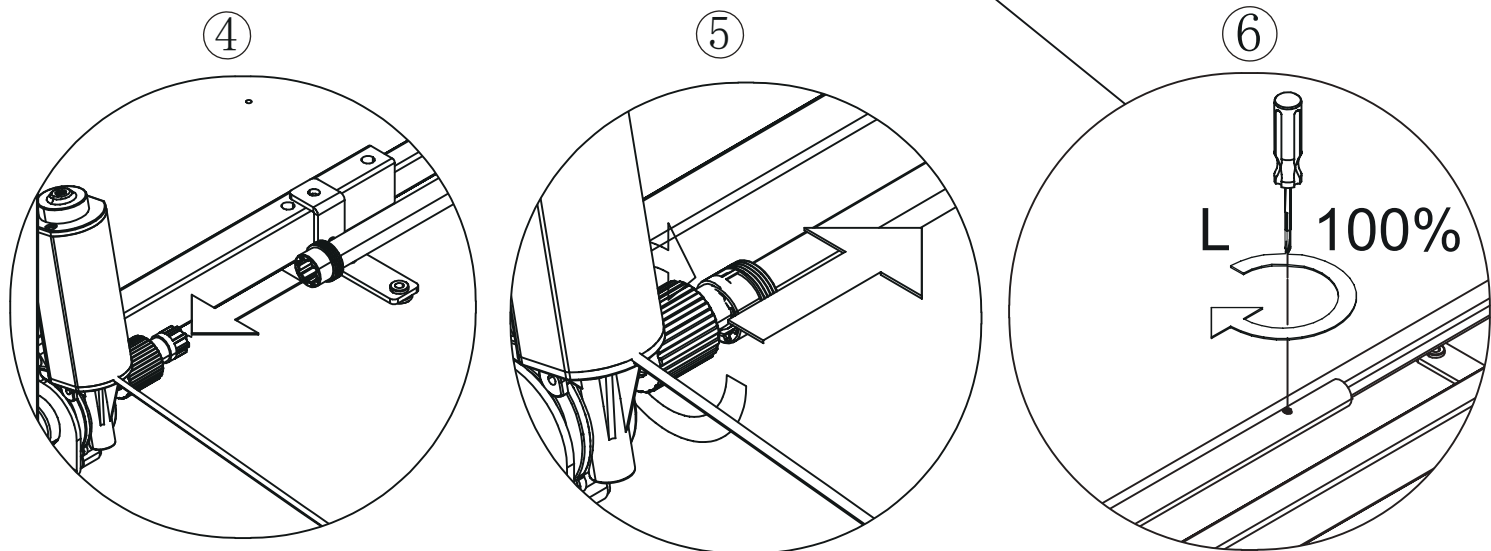


Fasten (8) to the assembly from the previous step with bolts (B) and (M).

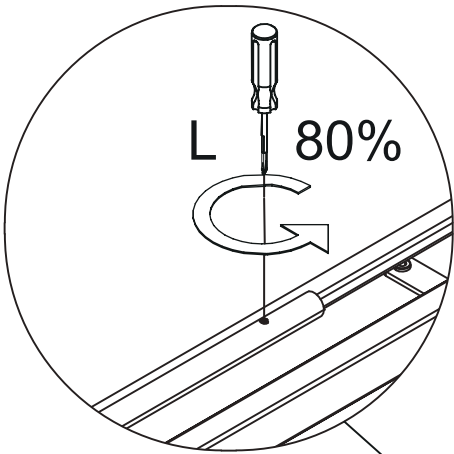
- B

x3
- M

x6



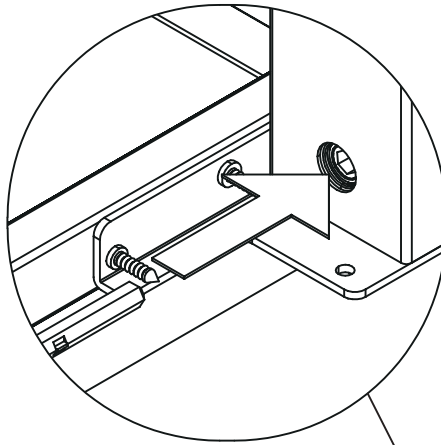
Insert both ends  
of (6) into (1)  
and (2), then  
lock.



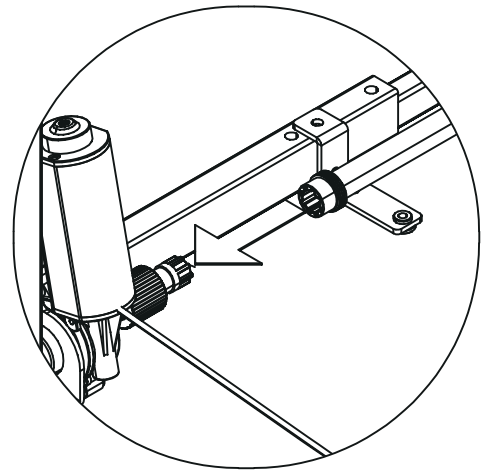
①



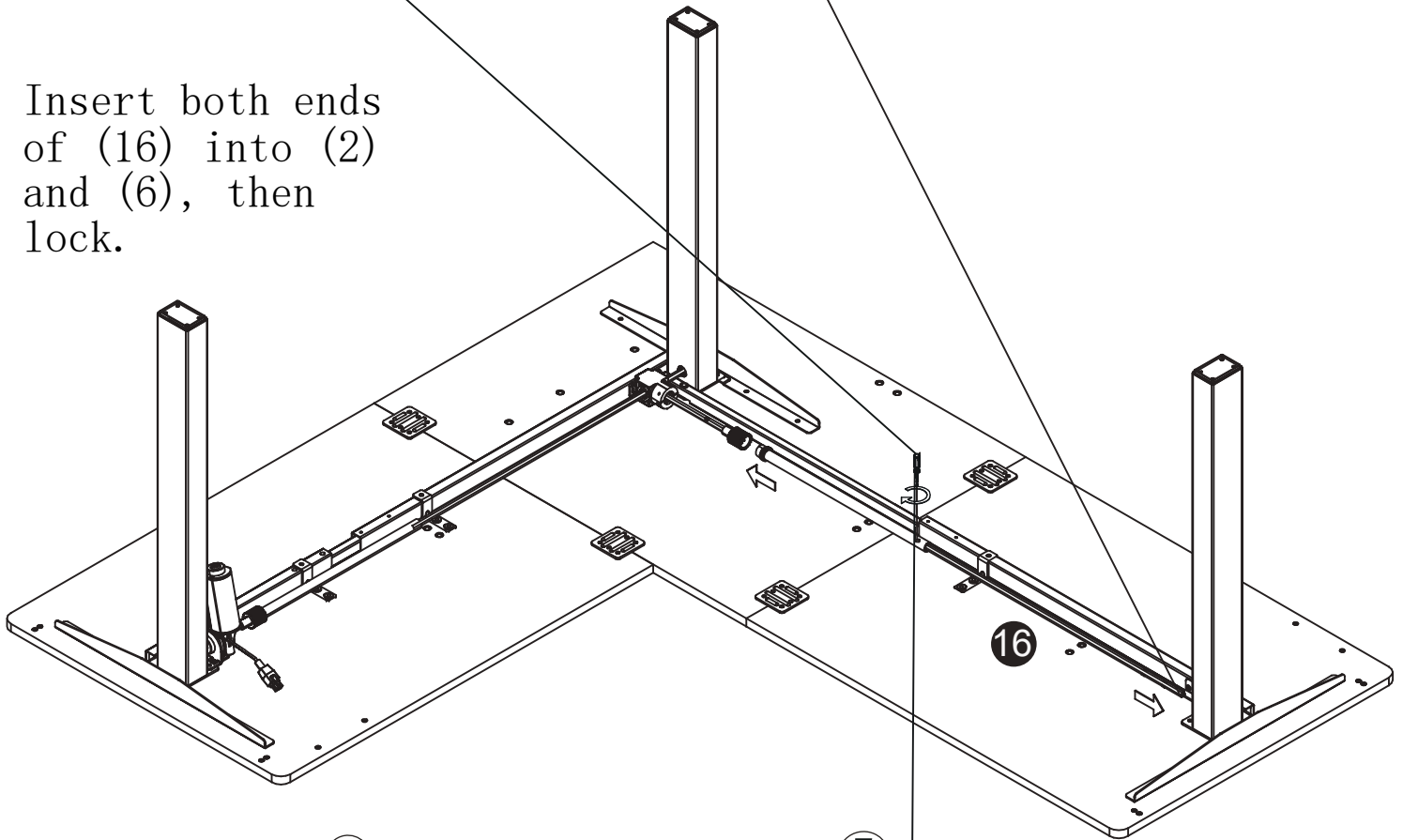
②



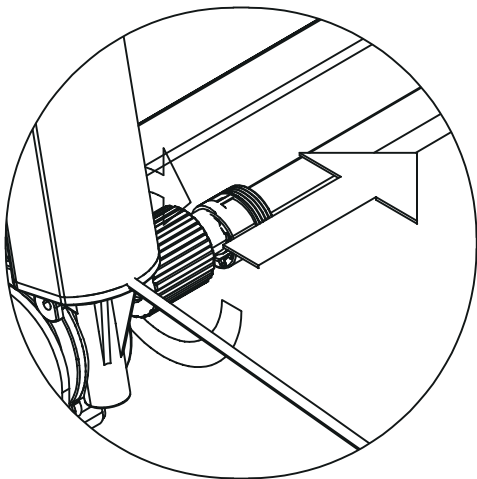
③



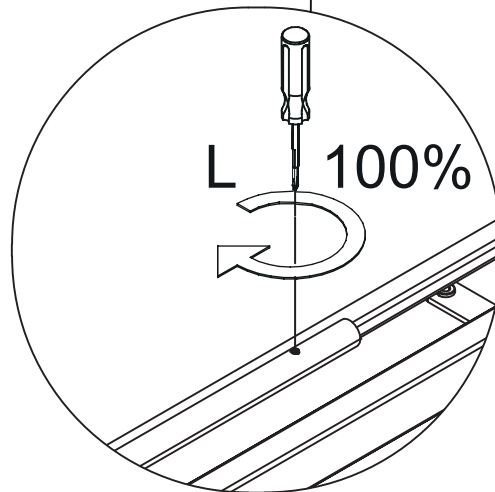
Insert both ends  
of (16) into (2)  
and (6), then  
lock.

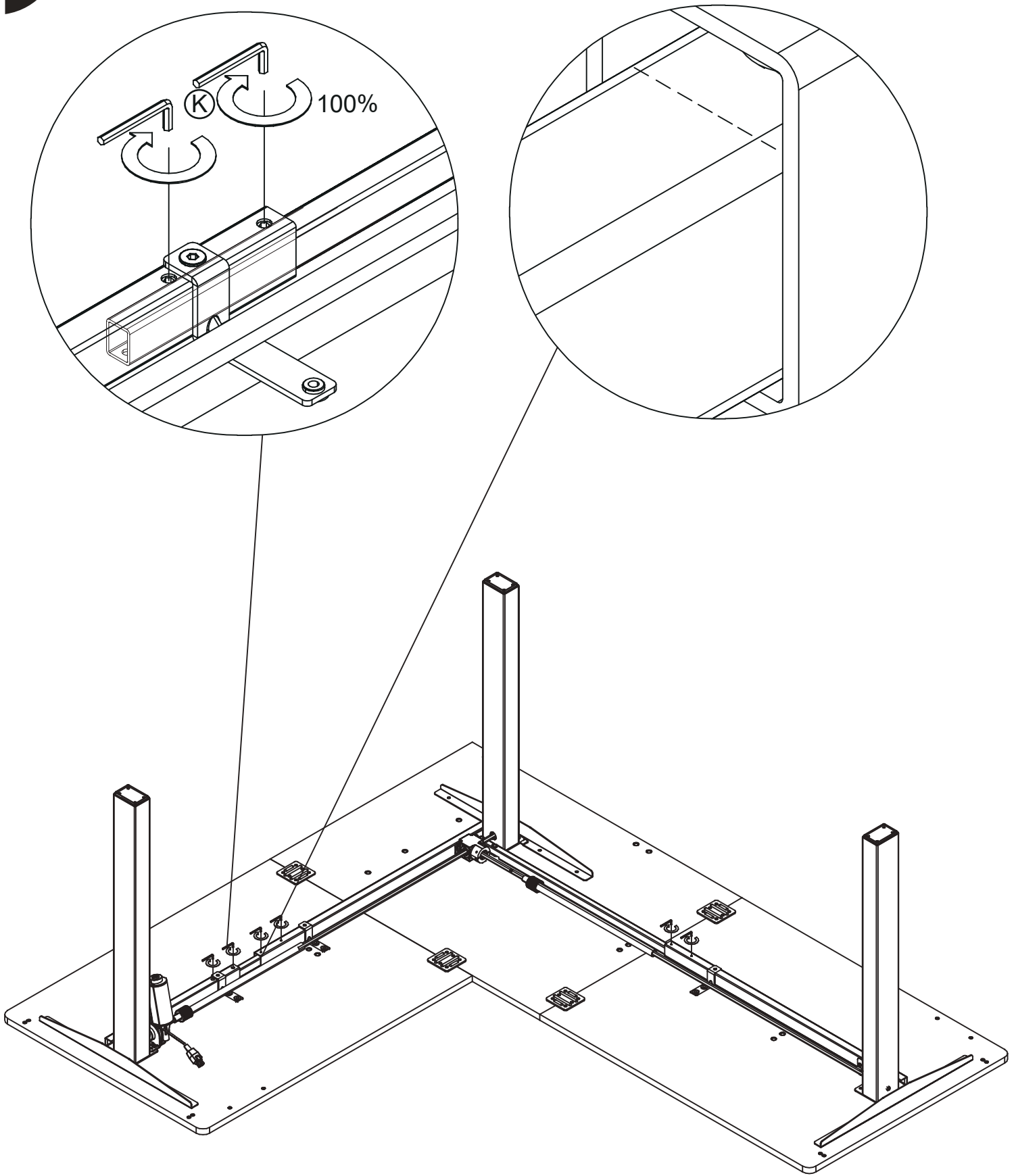


④

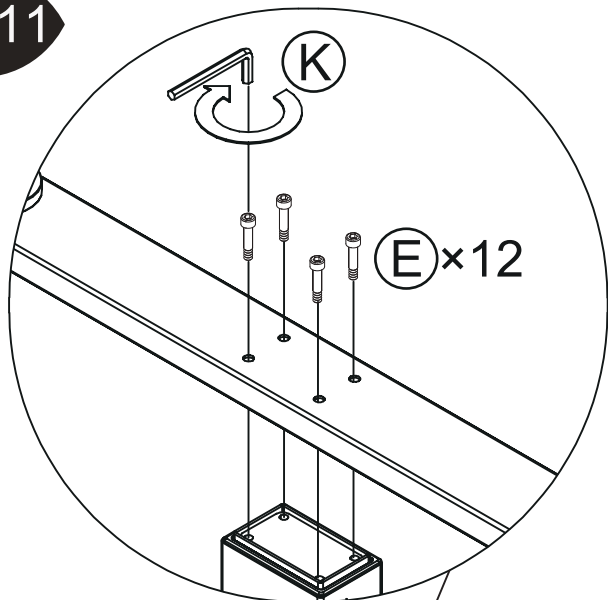


⑤

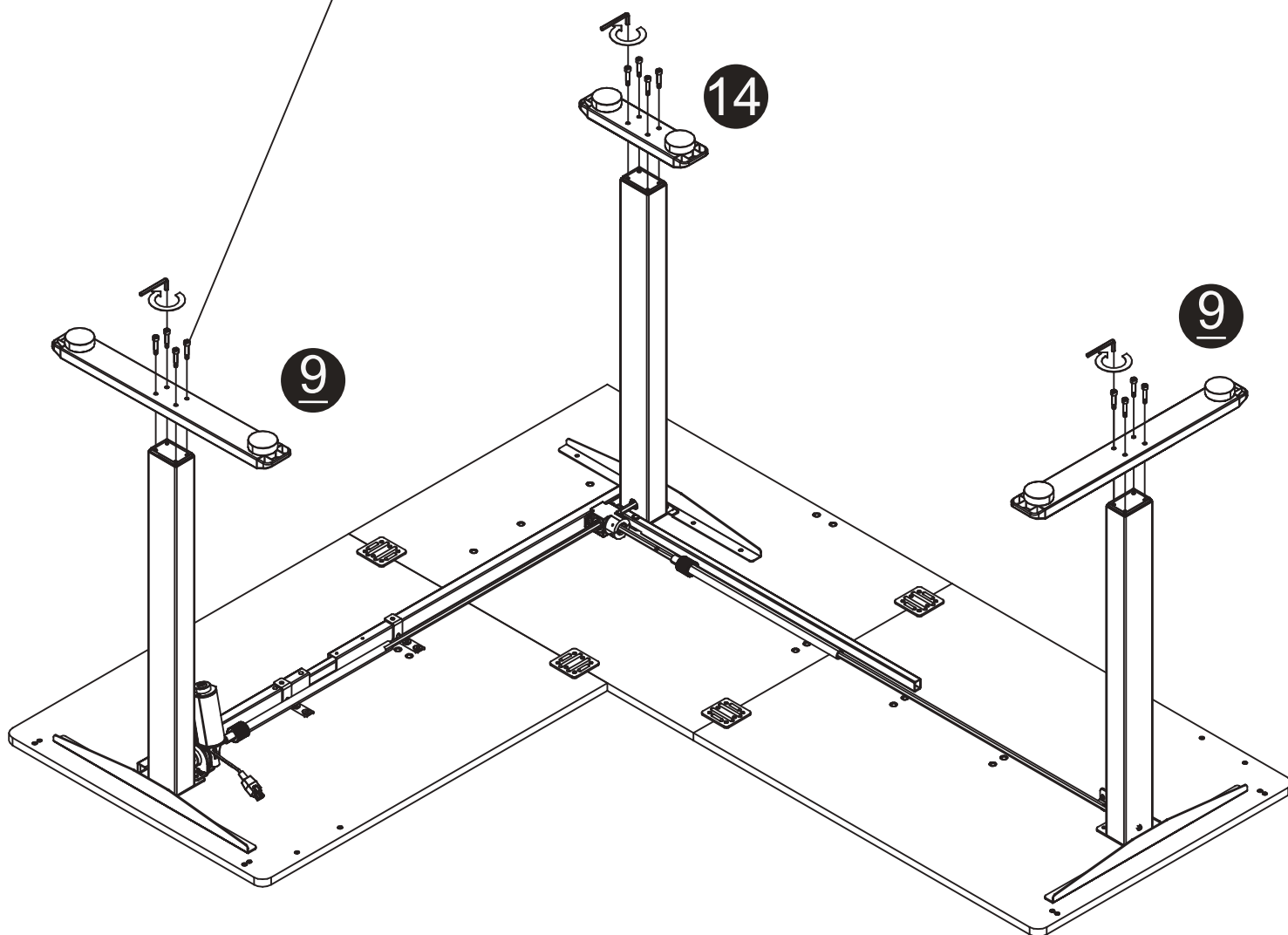




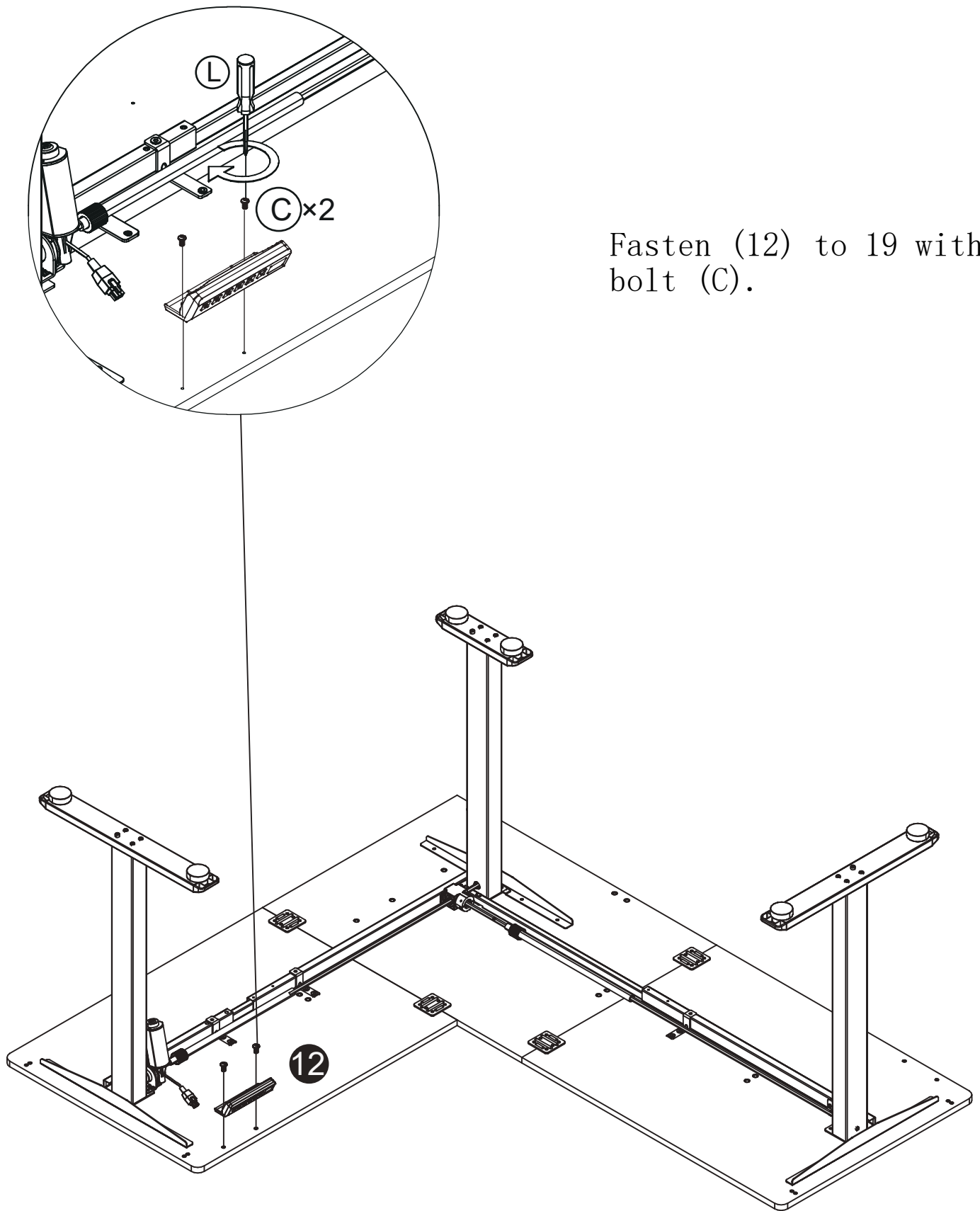
11



Tighten the assembly from the previous step. Fasten (9) to the assembly of the previous step with a bolt (E).



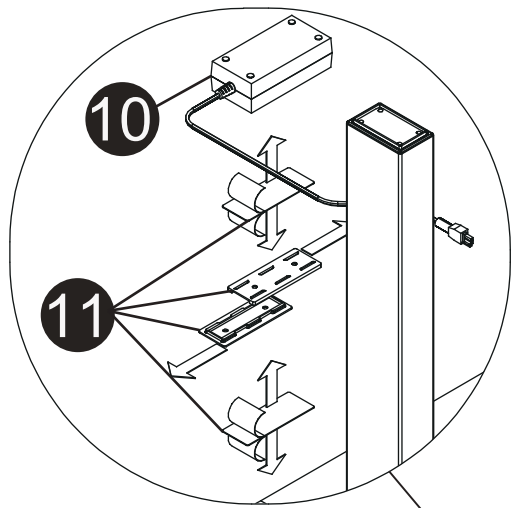

x12



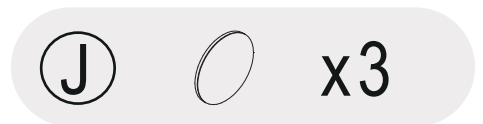
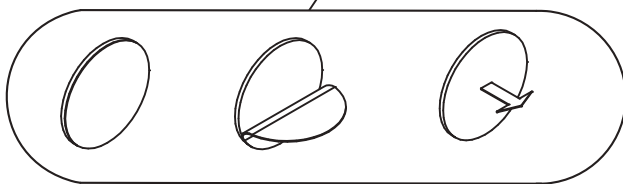
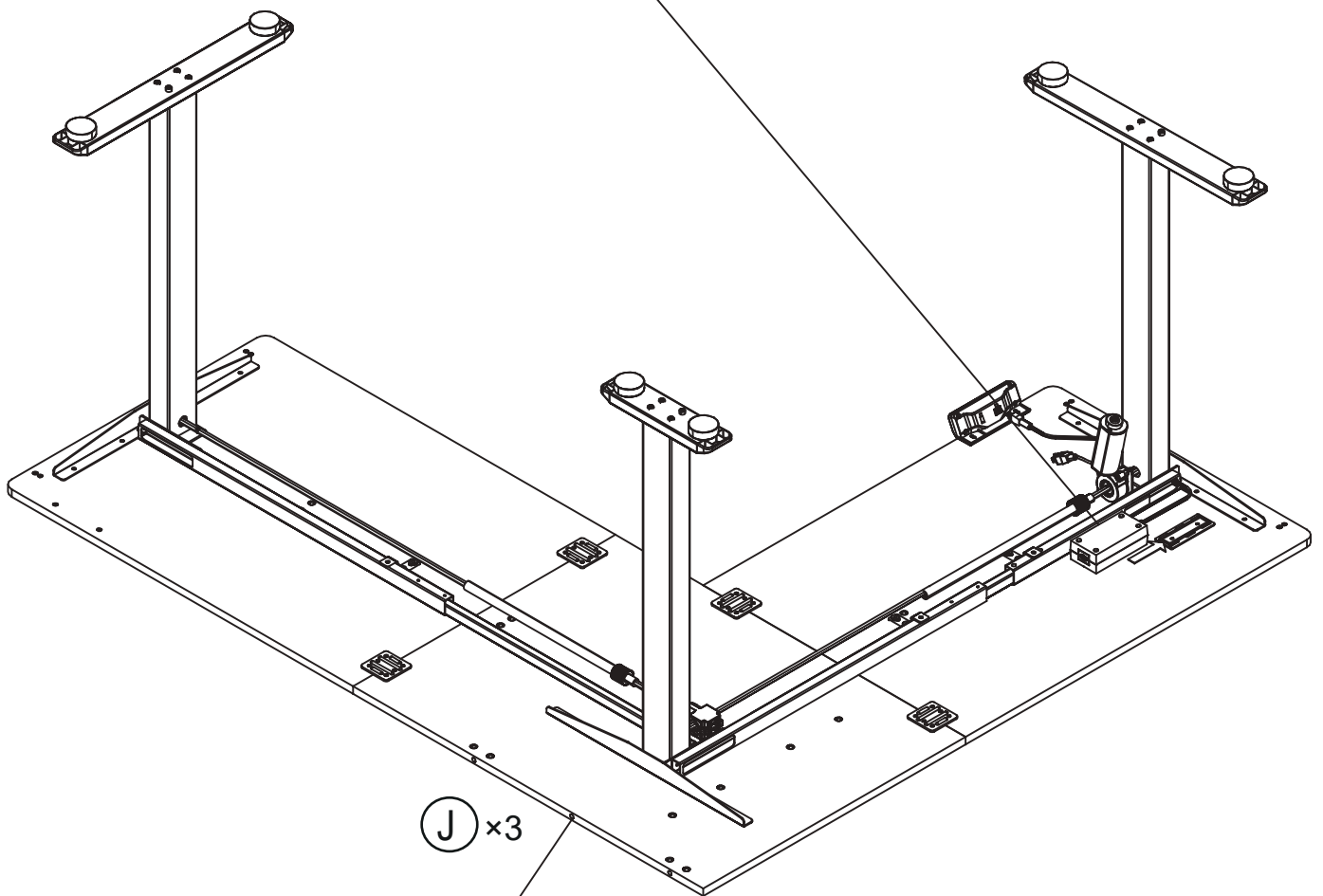
C

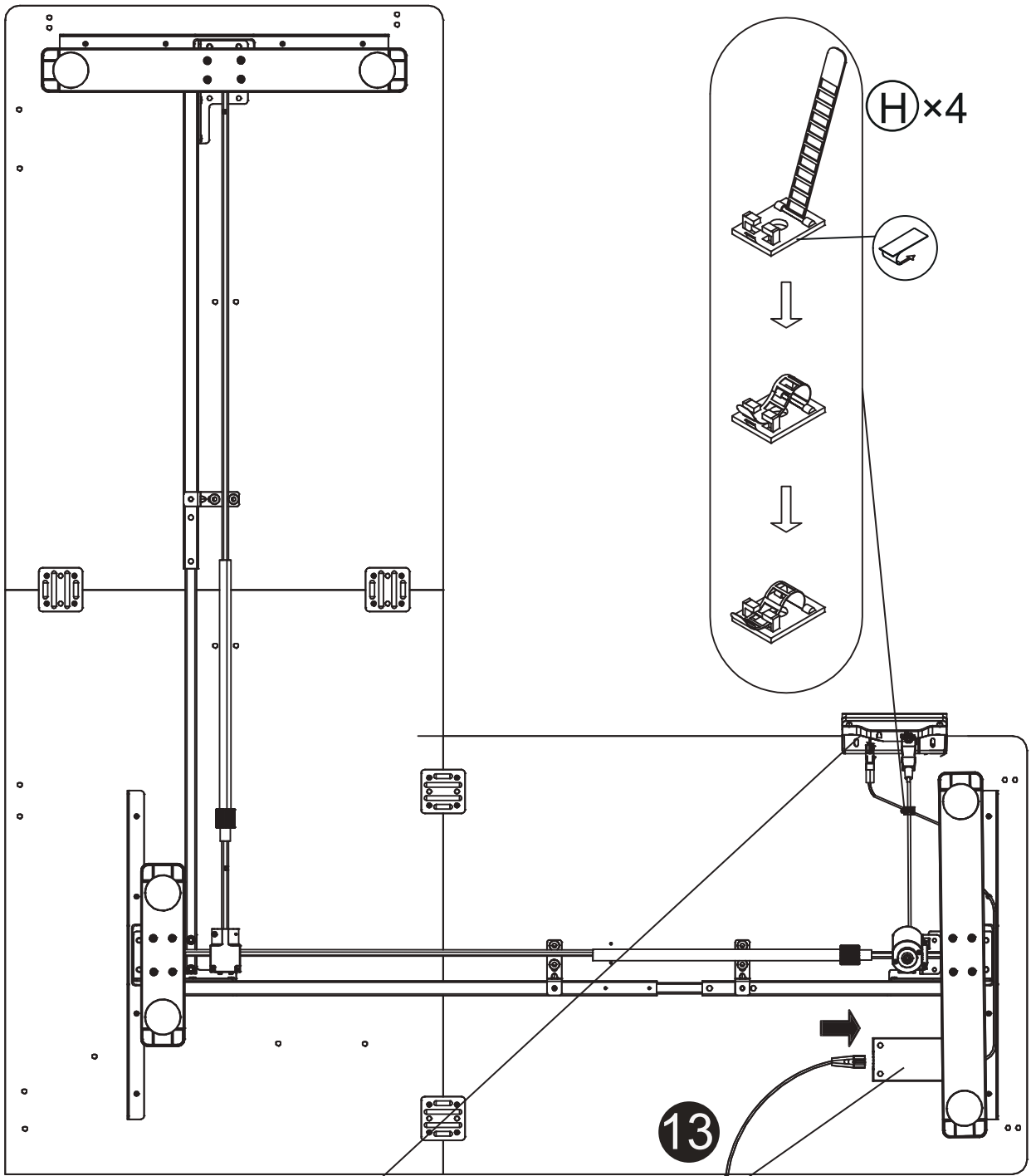


x2



Assemble (10) and (11) onto the assembly from the previous step, then attach (J) to the side of the countertop.

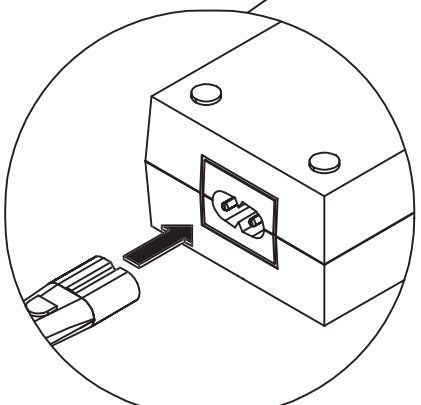
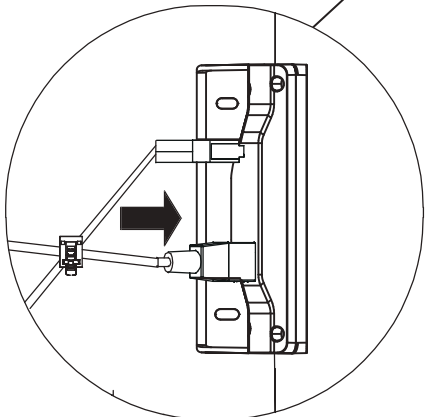




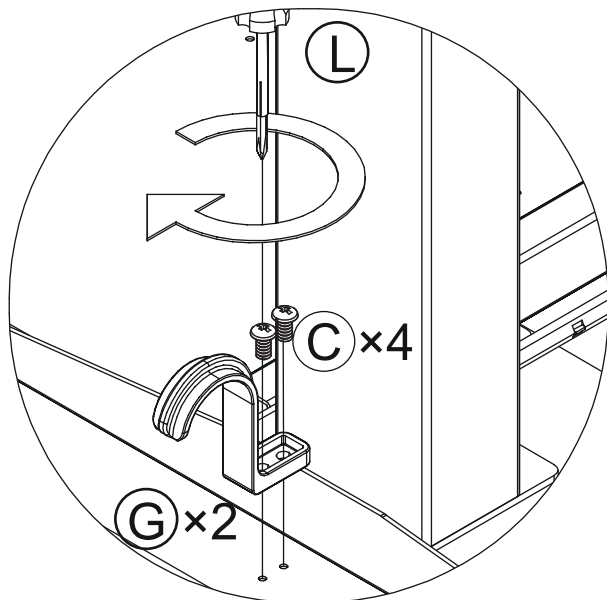
(H) x4

13

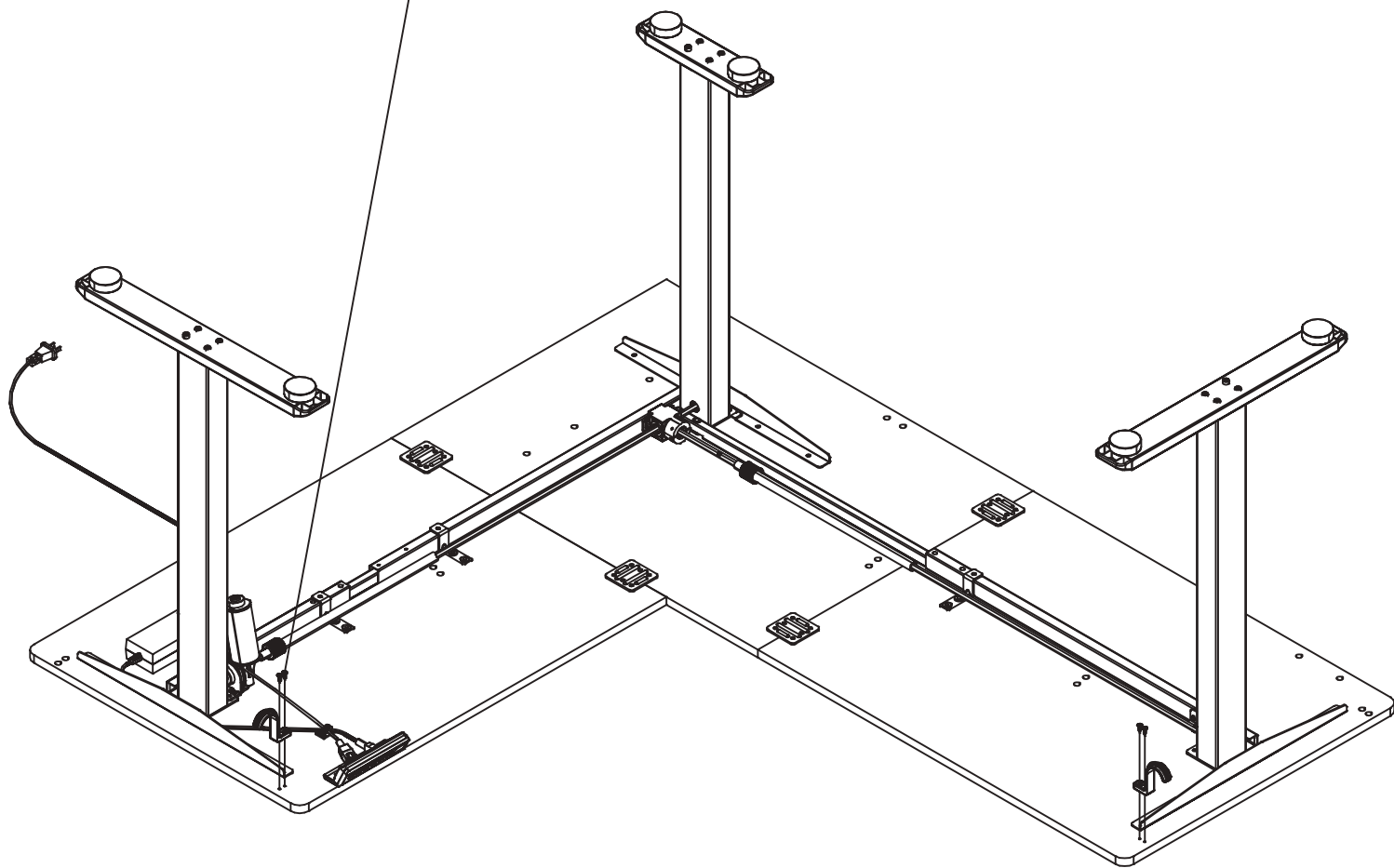
Plug the power cord (13) into (10) secure it with a cable tie.



(H)  x4



Fasten (G) to (17) and (19)  
with bolts (C).



(C)

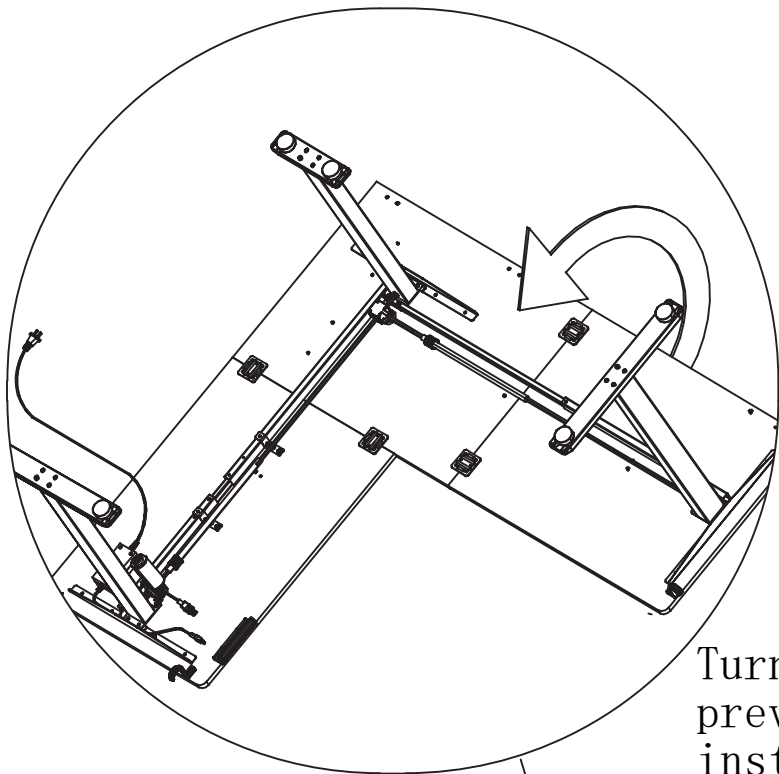


x4

(G)



x2



Turn the assembly of the previous step over and the installation is complete.

