

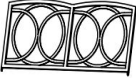













# SAVE THESE INSTRUCTIONS

## CLAREMONT GLIDER WITH CUSHION

**ASSEMBLE ON A FLAT, PROTECTED SURFACE.**

PART LIST	FIGURE	QUANTITY	DESCRIPTION
A		1 PC	RIGHT ARM
B		1 PC	LEFT ARM
C		1 PC	BACK
D		1 PC	SEAT
E		1 PC	BASE
F		2 PCS	GLIDER
G		6 + 1 PCS	SHORT BOLT (M6*18)
H		2 + 1 PCS	MEDIUM BOLT (M6*40)
I		8 + 1 PCS	LONG BOLT (M6*30)
J		8 + 1 PCS	FLAT WASHER
K		16 + 1 PCS	FLAT WASHER
L		1 PC	ALLEN WRENCH
M		1 PC	SEAT CUSHION
N		2 PCS	BACK CUSHION

# CLAREMONT GLIDER WITH CUSHION

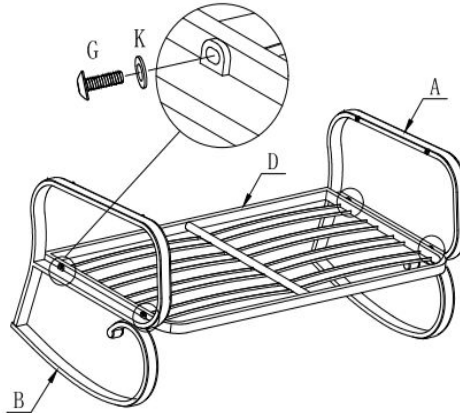
## ASSEMBLY INSTRUCTIONS(CONTINUED)

### STEP 1

A. PLACE RIGHT ARM (A) UPSIDE DOWN ON A FLAT, PROTECTED SURFACE.

B. ATTACH SEAT (D) TO RIGHT ARM (A) WITH FLAT WASHER (K) AND SHORT BOLT (G) USING ALLEN WRENCH (L). DO NOT TIGHTEN COMPLETELY.

C. ATTACH LEFT ARM (B) TO SEAT (D) WITH FLAT WASHER (K) AND SHORT BOLT (G) USING ALLEN WRENCH (L). DO NOT TIGHTEN COMPLETELY.

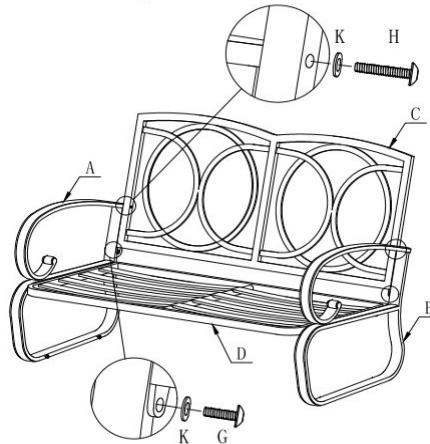


### STEP 2

A. TURN SEAT ASSEMBLY TO UPRIGHT POSITION.

B. CONNECT BACK (C) TO RIGHT ARM (A) AND LEFT ARM (B) WITH FLAT WASHER (K) AND MEDIUM BOLT (H) USING ALLEN WRENCH (L). DO NOT TIGHTEN COMPLETELY.

C. CONNECT BACK (C) TO SEAT (D) WITH FLAT WASHER (K) AND SHORT BOLT (G) USING ALLEN WRENCH (L). DO NOT TIGHTEN COMPLETELY.

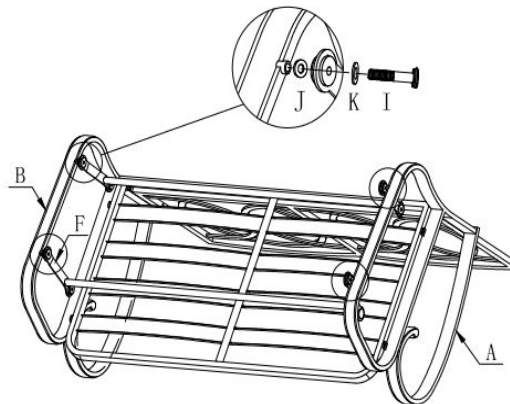


### STEP 3

A. GENTLY TIP CHAIR FORWARD TO FLOOR.

B. ATTACH LONG ARM OF GLIDER SUPPORT GLIDER (F) TO BOTTOM OF RIGHT ARM (A) WITH FLAT WASHER (J), FLAT WASHER (K) AND LONG BOLT (I) USING WRENCH (L). DO NOT TIGHTEN COMPLETELY.

C. REPEAT TO ATTACH GLIDER (F) TO LEFT ARM (B), DO NOT TIGHTEN COMPLETELY.

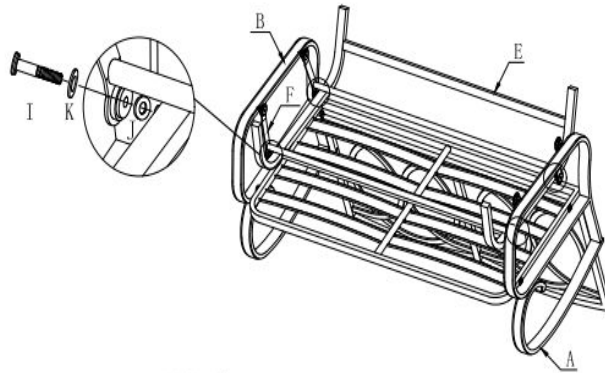


# CLAREMONT GLIDER WITH CUSHION

## ASSEMBLY INSTRUCTIONS (CONTINUED)

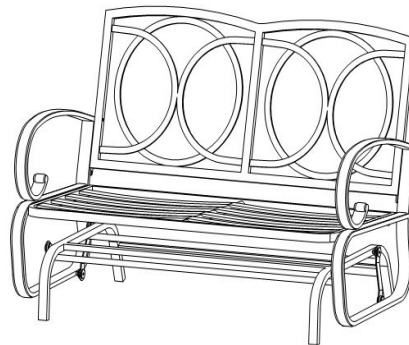
### STEP 4

A. ATTACH BASE (E) TO SHORT ARM OF GLIDER SUPPORT ON GLIDER (F) WITH FLAT WASHER (K), FLAT WASHER (J) AND LONG BOLT (I) USING ALLEN WRENCH (L).



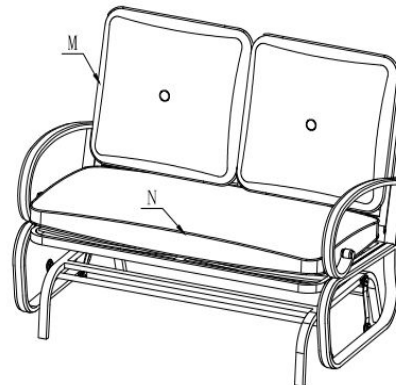
### STEP 5

A. TURN GLIDER TO UPRIGHT POSITION SO THAT IT STANDS SQUARELY ON THE FLOOR.  
B. TIGHTEN ALL BOLTS SECURELY USING ALLEN WRENCH (L).  
C. RETAIN ALLEN WRENCH (L) FOR USE TO TIGHTEN BOLTS PERIODICALLY OR AS NEEDED.



### STEP 6

A. PUT SEAT CUSHION (N) WITH BANDAGE TIES ON THE SEAT, THEN PUT ON THE BACK CUSHIONS.



**WEIGHT LIMIT**  
250 LBS

### CARE AND CLEANING

IN ORDER TO PROLONG THE LIFE OF YOUR GLIDER, PLEASE STORE IN DRY SHELTERED PLACE WHEN NOT IN USE OR DURING INCLEMENT WEATHER.