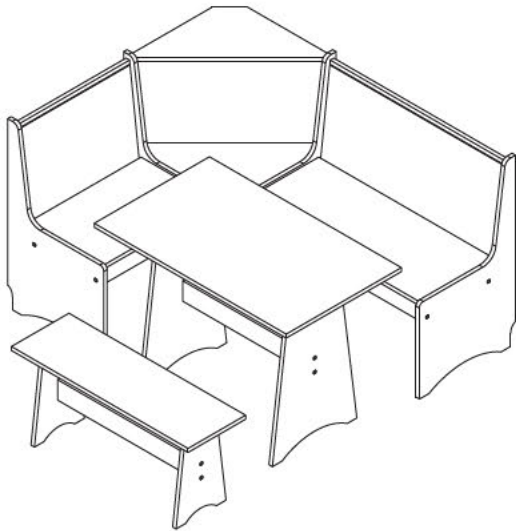


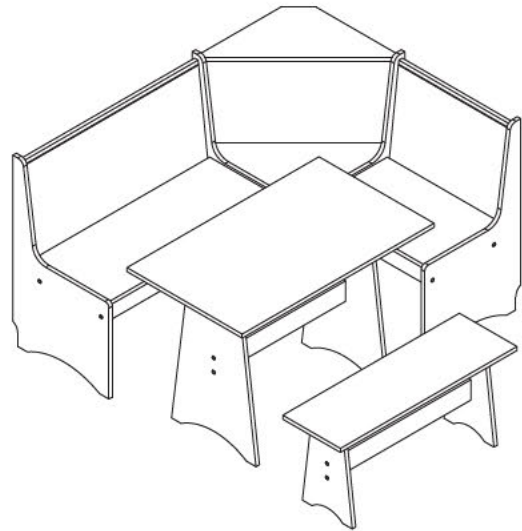
ASSEMBLY INSTRUCTIONS

Corner Dining Set

Avoid using sharp objects such as a knife to cut open packing as you may accidentally damage the item.



RIGHT SIDE INSTALLATION



LEFT SIDE INSTALLATION

SELECT THE LAYOUT OF THE BENCH

THIS ITEM IS REVERSIBLE AND CAN BE INSTALLED EITHER WITH THE LARGE BENCH AT YOUR LEFT HAND SIDE (LEFT SIDE INSTALLATION) OR WITH THE LARGE BENCH AT YOUR RIGHT HAND SIDE (RIGHT SIDE INSTALLATION).

THIS INSTRUCTION IS MADE FOR RIGHT HAND INSTALLATION.

IF YOU SELECT THE LEFT HAND INSTALLATION THEN YOU HAVE TO SWITCH ALL THE PARTS LOCATED AT RIGHT PART (G, H, L AND O) TO LEFT PART AND THE PARTS LOCATED AT LEFT PART (E, I, M AND P) TO RIGHT PART.

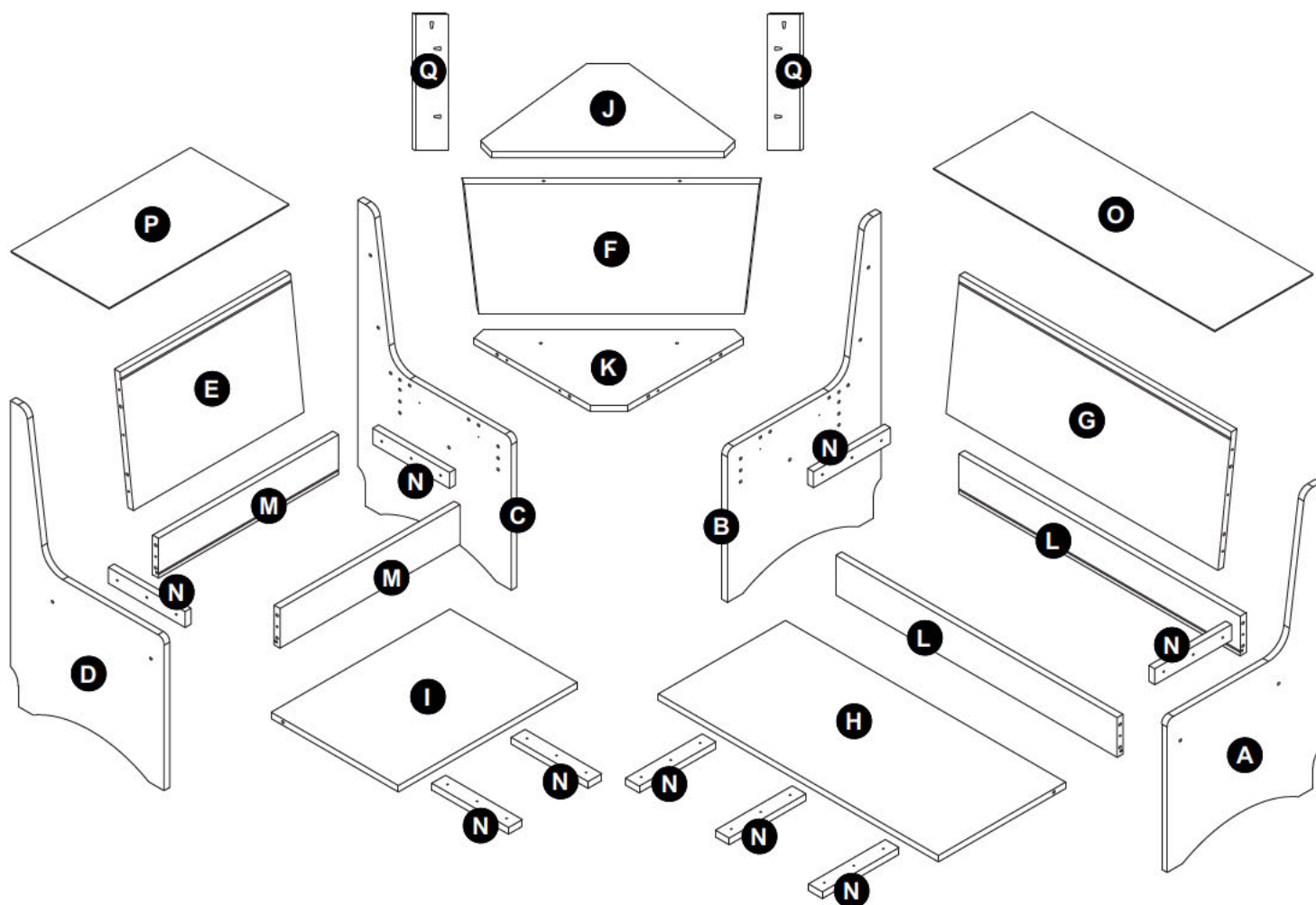
ATTENTION: OUTSIDE LEGS A AND D PLUS CENTRAL PIECES (C, B, F, J, K AND Q) REMAIN UNCHANGED.

NOTE: BEFORE STARTING THE ASSEMBLY PROCESS, ALL PARTS SHOULD BE SEPARATED ACCORDING TO THE ITEM THEY BELONG TO. FOR BETTER IDENTIFICATION OF ALL PARTS, PLEASE USE PART IDENTIFICATION LIST ON PAGE 2-3 FOR THE CORNER BENCH; THE PART IDENTIFICATION LIST ON PAGE 11 FOR THE TABLE; AND ON PAGE 14 FOR THE BENCH.

ASSEMBLY INSTRUCTIONS

Hillsdale Solid Wood Corner Dining Set

Avoid using sharp objects such as a knife to cut open packing as you may accidentally damage the item.














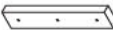














RIGHT SIDE INSTALLATION CORNER BENCH

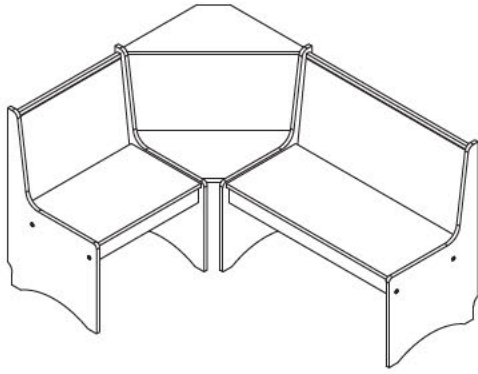
ASSEMBLY INSTRUCTIONS

Hillsdale Solid Wood Corner Dining Set

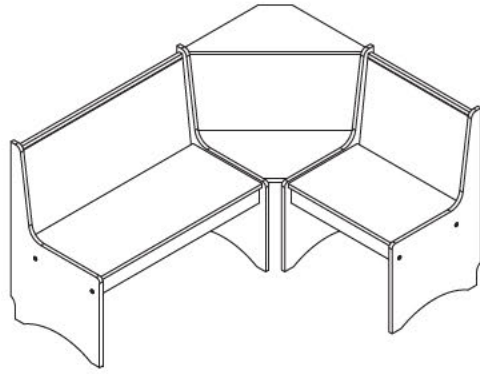
Avoid using sharp objects such as a knife to cut open packing as you may accidentally damage the item.

PARTS LIST			
ITEM	DESCRIPTION	SKETCH	QUANTITY
A	Right side leg		1x
B	Center leg right side		1x
C	Center leg left side		1x
D	Left side leg		1x
E	Narrow back rest panel		1x
F	Corner back rest panel		1x
G	Wide back rest panel		1x
H	Wide seat		1x
I	Narrow seat		1x
J	Corner top		1x
K	Corner seat		1x
L	Wide cross rail		2x
M	Narrow cross rail		2x
N	Cleats support		9x
O	Large storage bottom panel		1x
P	Small storage bottom panel		1x
Q	Back supports		2x

PARTS LIST			
ITEM	DESCRIPTION	SKETCH	QUANTITY
HW1	Dowel : 8x30mm		36x
HW3	Screw : 4,0x25mm		6x
HW4	Screw : 4,0x30mm		36x
HW5	Screw : 4,0x35mm		24x
HW6	Screw : 7,0x50mm		4x
HW7	Screw : 7,0x50mm		8x
HW8	Allen Key		1x
HW9	Cover cap		4x
HW10	Plastic Pin		4x



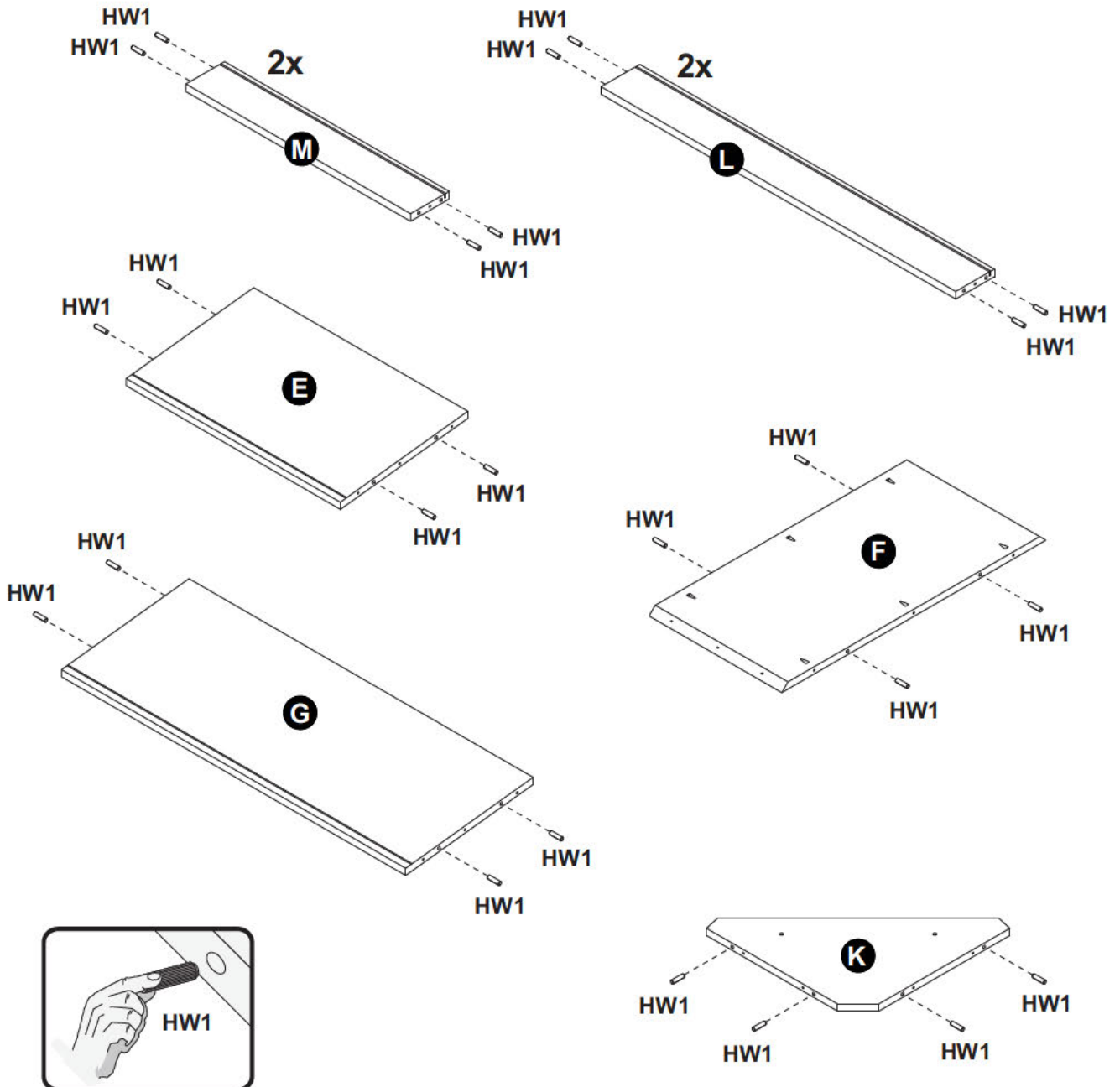
RIGHT SIDE INSTALLATION



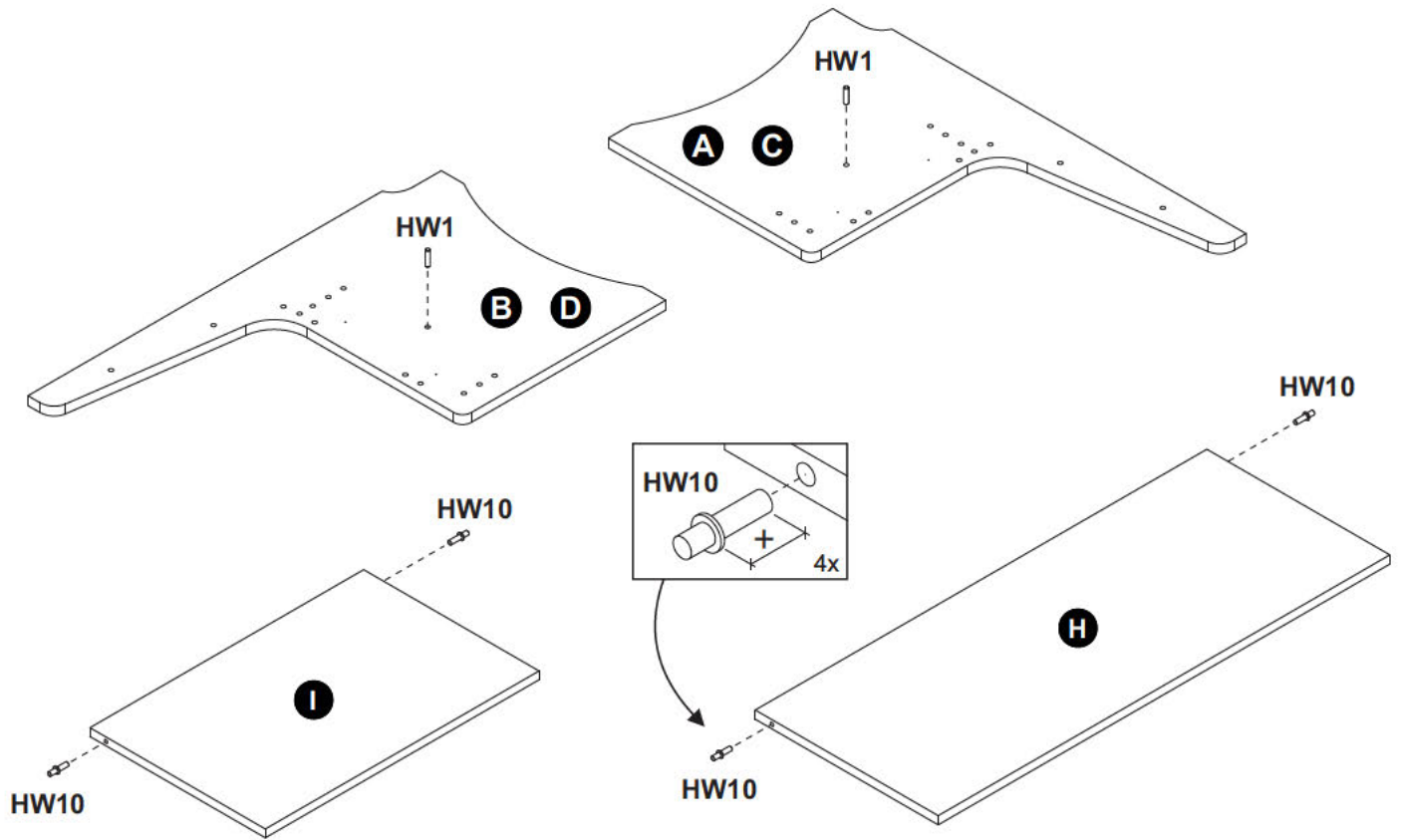
LEFT SIDE INSTALLATION

Do not fully tighten bolts until assembly is complete.

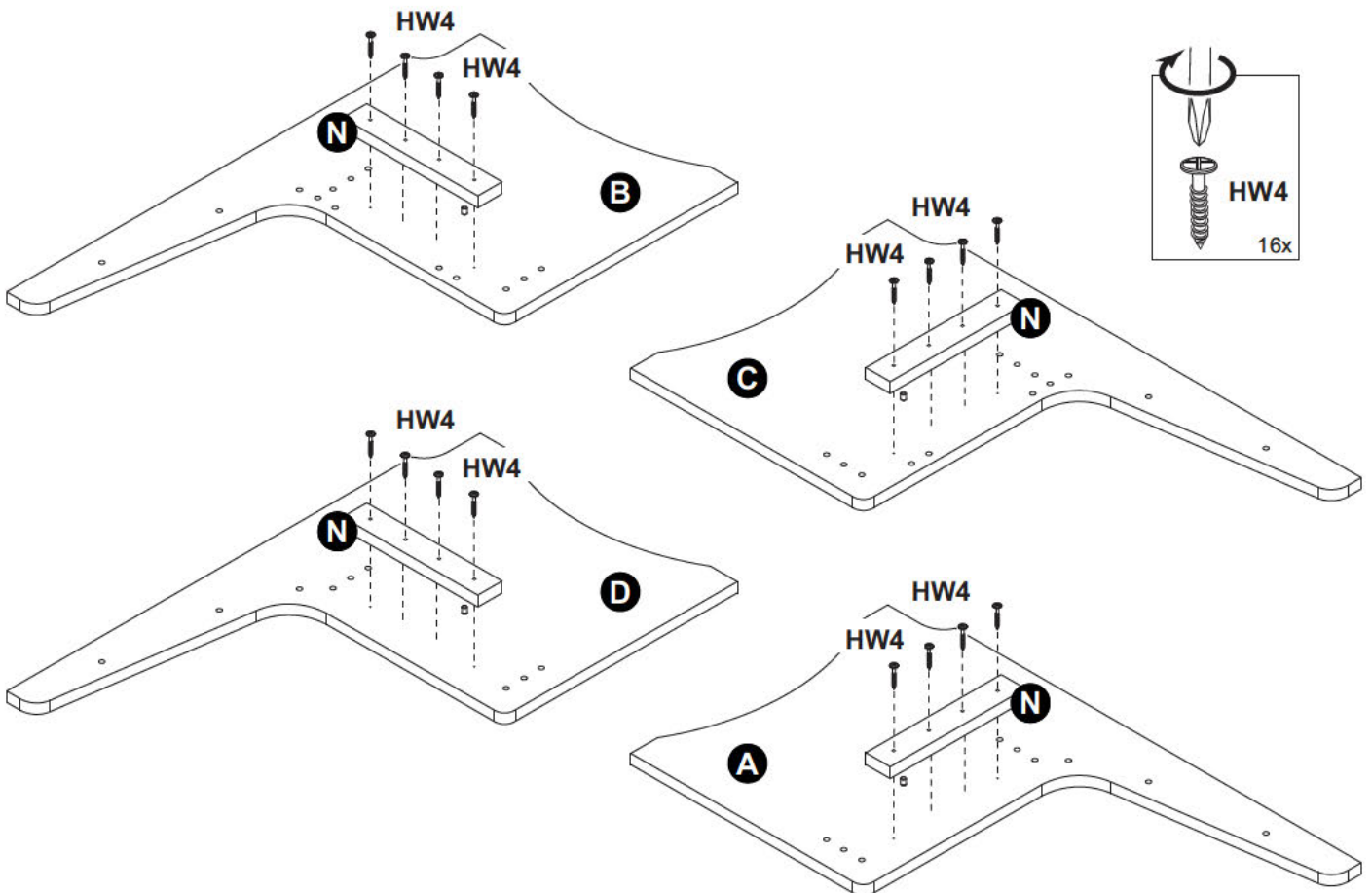
STEP 1: Insert dowels into the indicated parts.



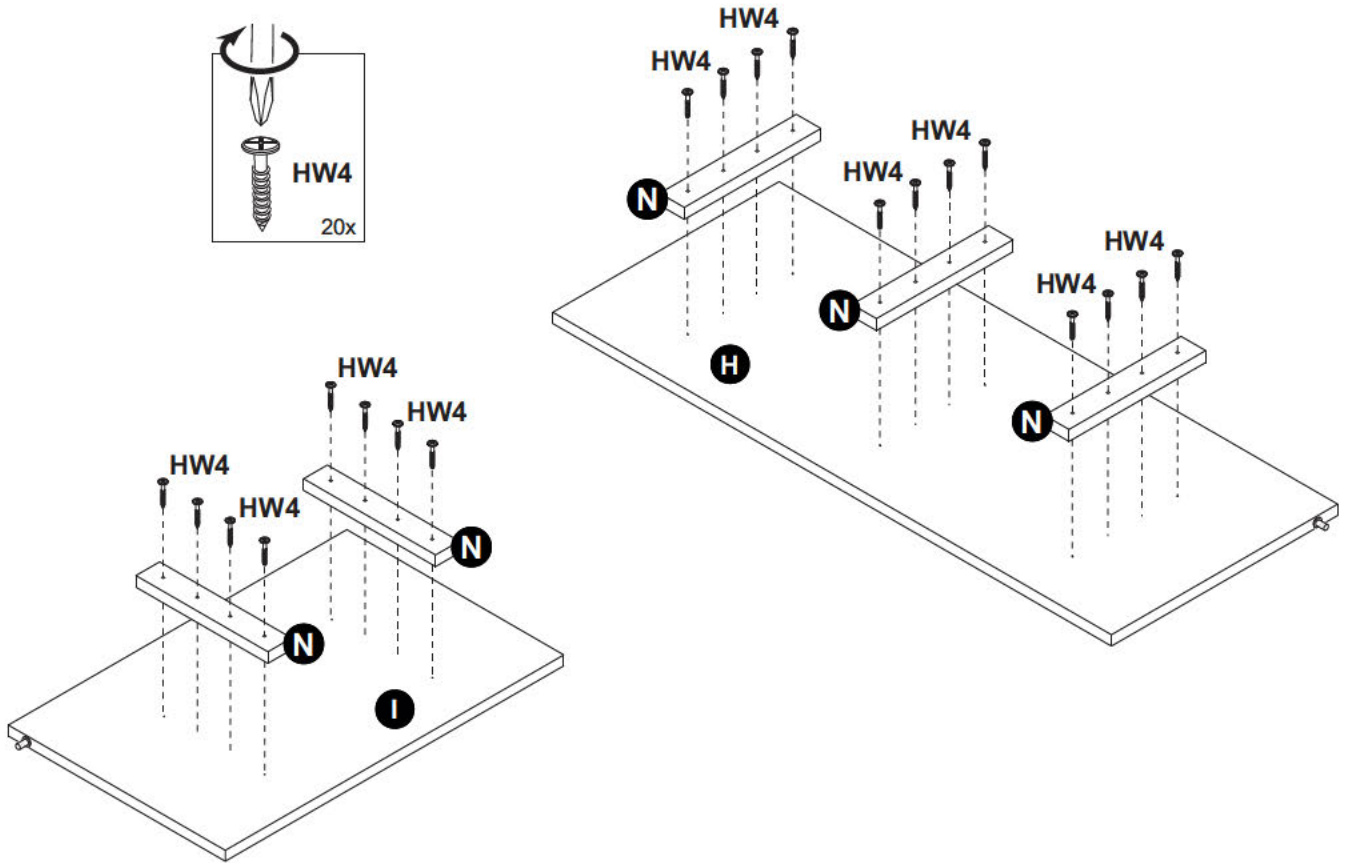
STEP 2: Insert dowels and plastic pin into the indicated parts.



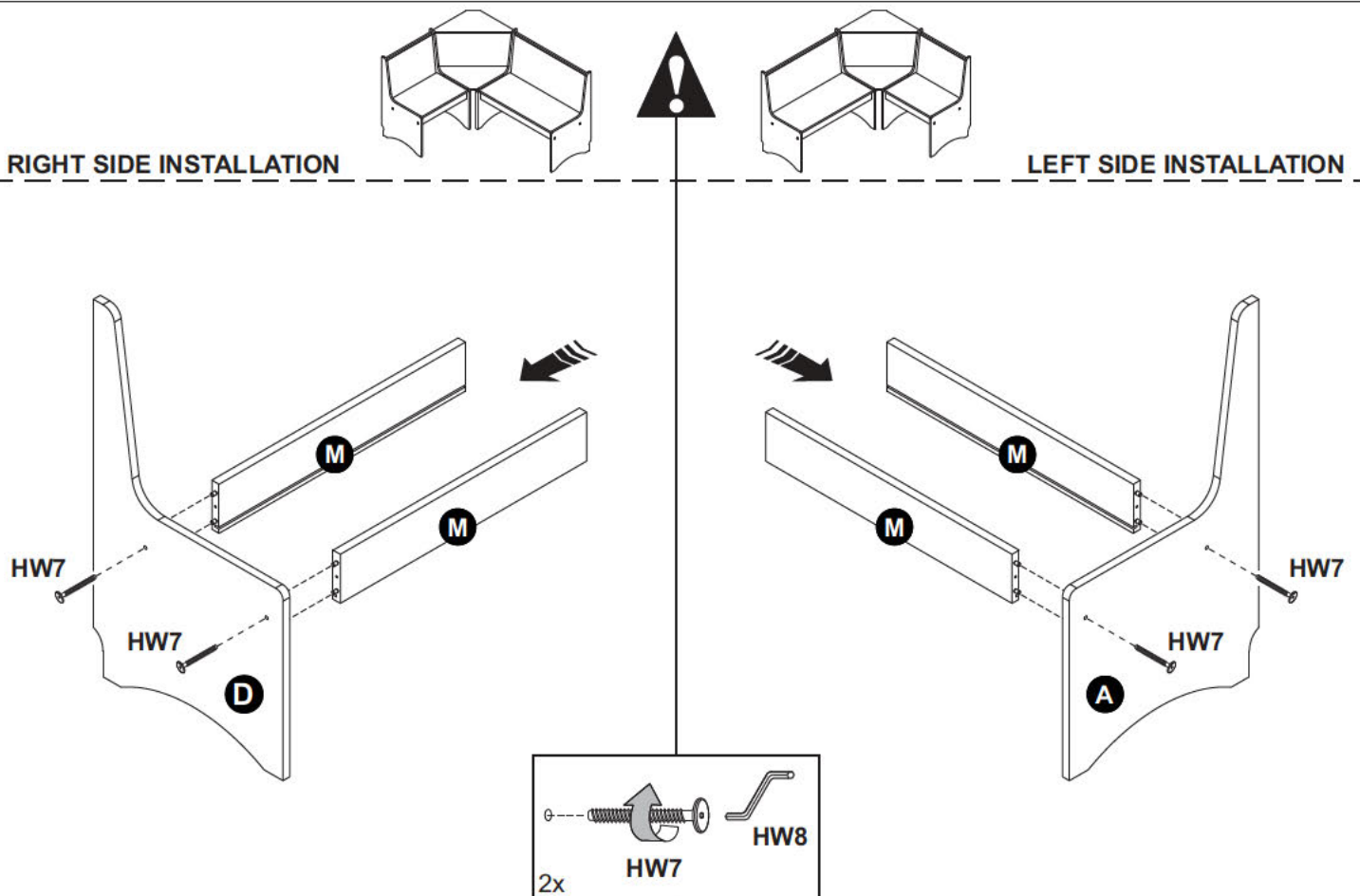
STEP 3: Attach cleats support by inserting screws in the pre-marked positions.



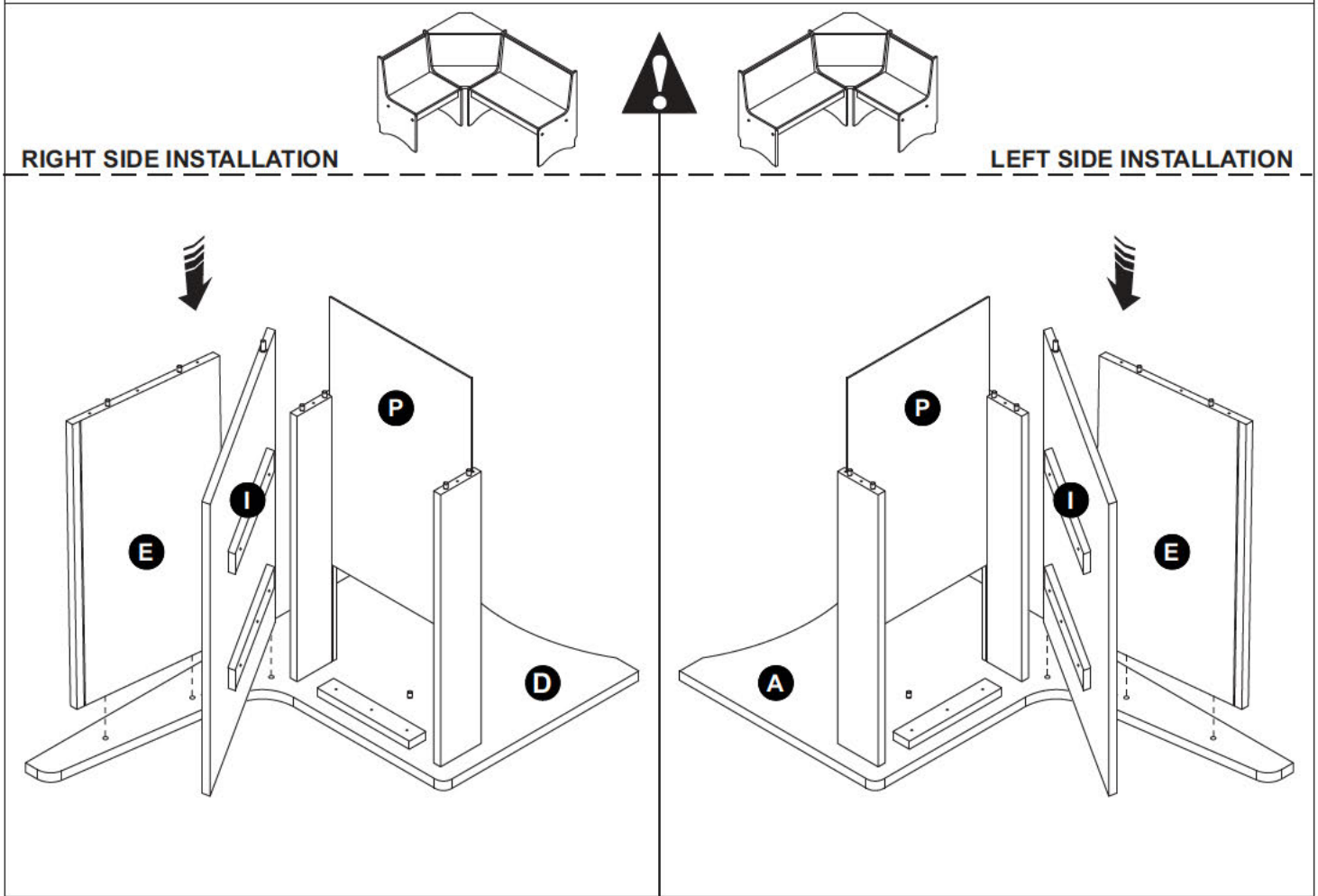
STEP 4: Attach cleats support by inserting screws in the pre-marked positions.



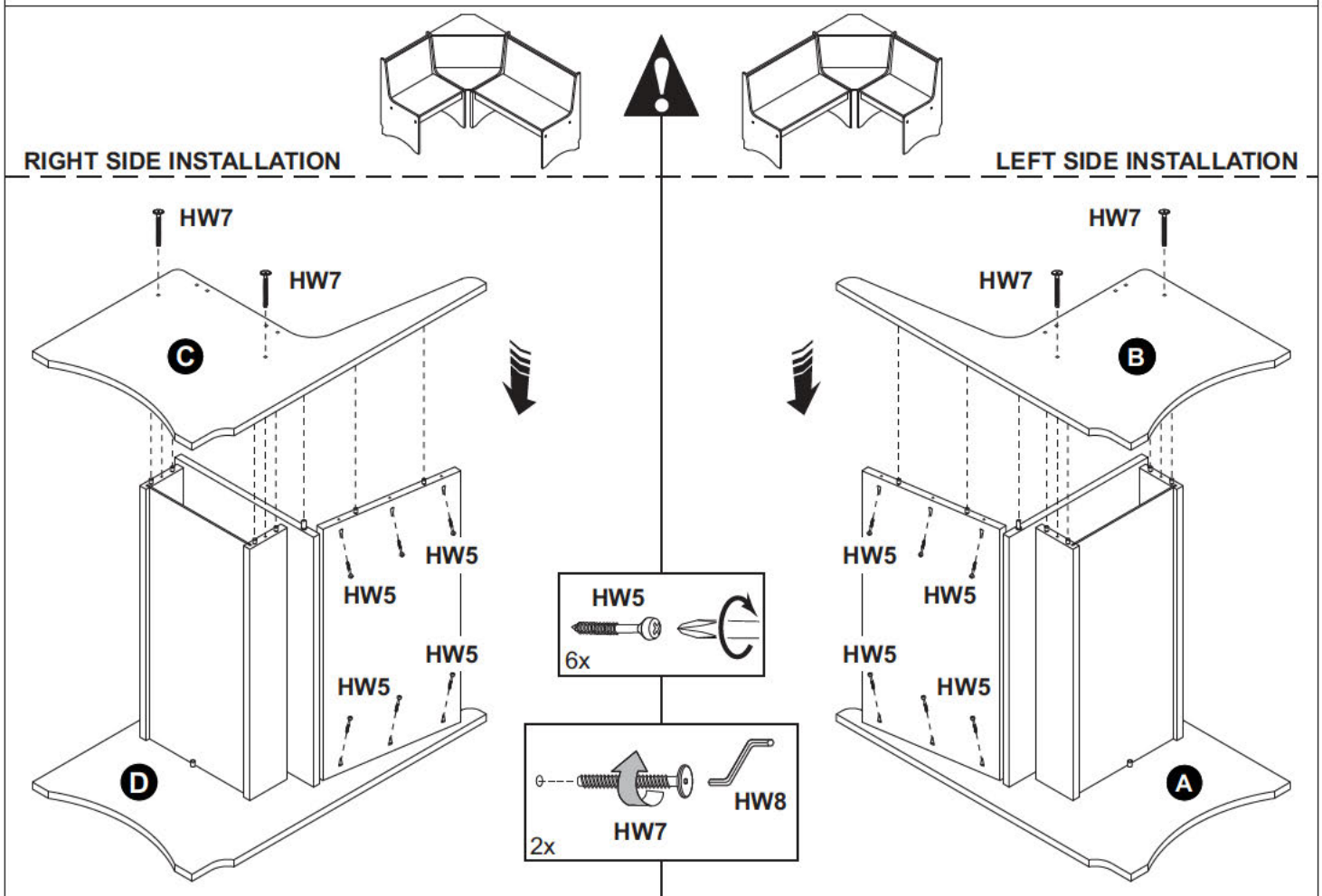
STEP 5: Attach the side leg to the cross rails using screws.



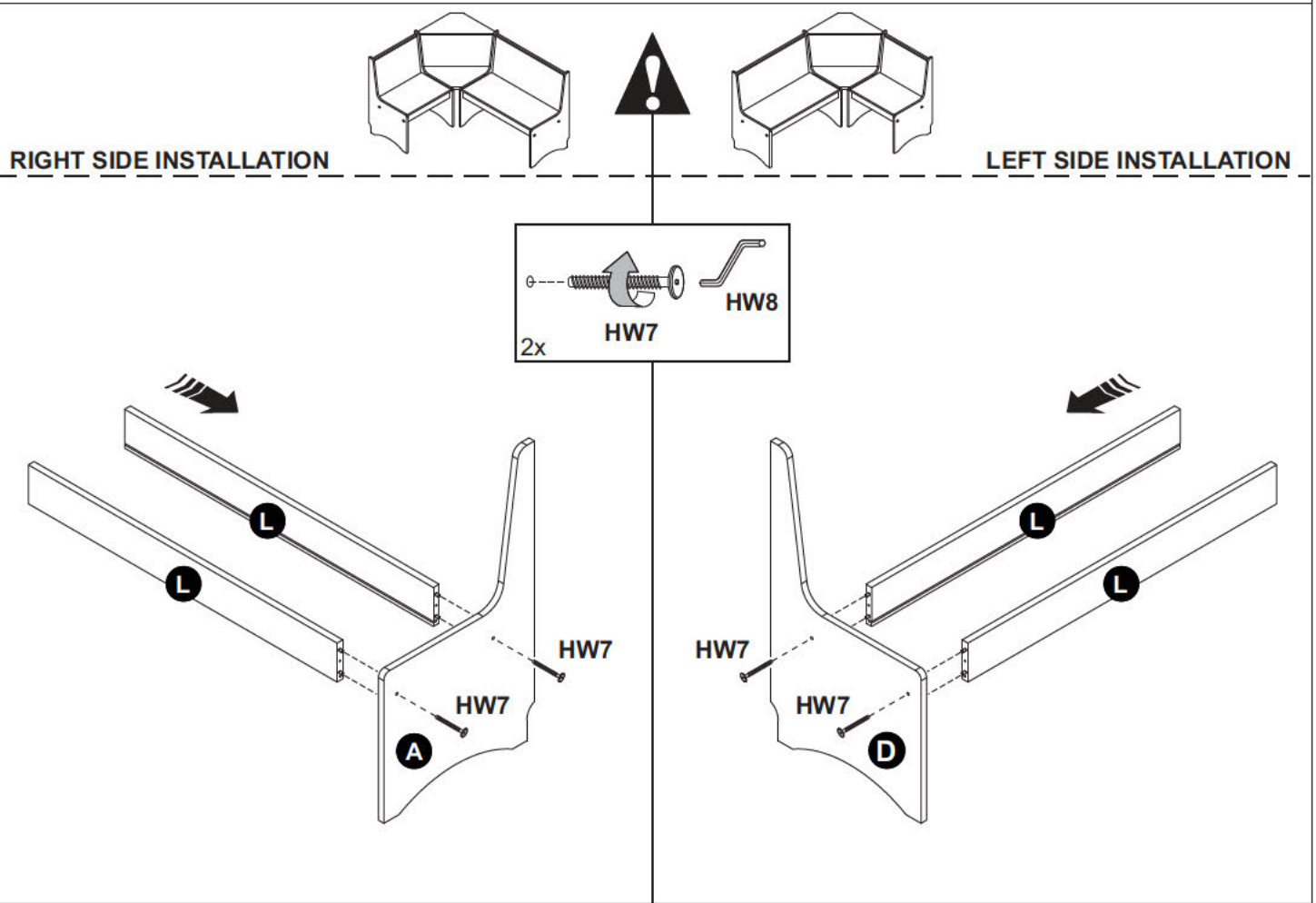
STEP 6: Insert the indicated parts into the side.



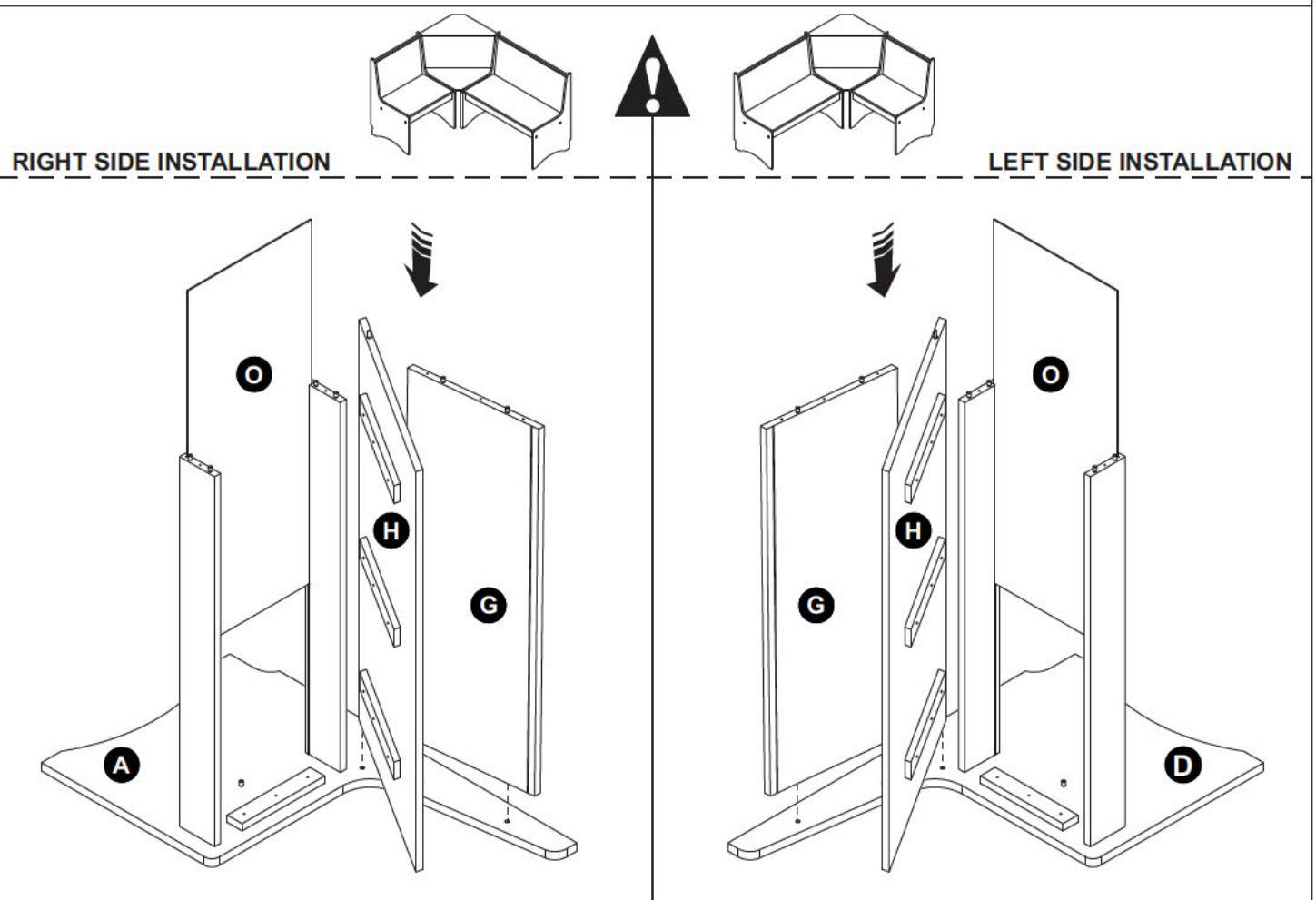
STEP 7: Attach the center leg into the indicated parts using screws.



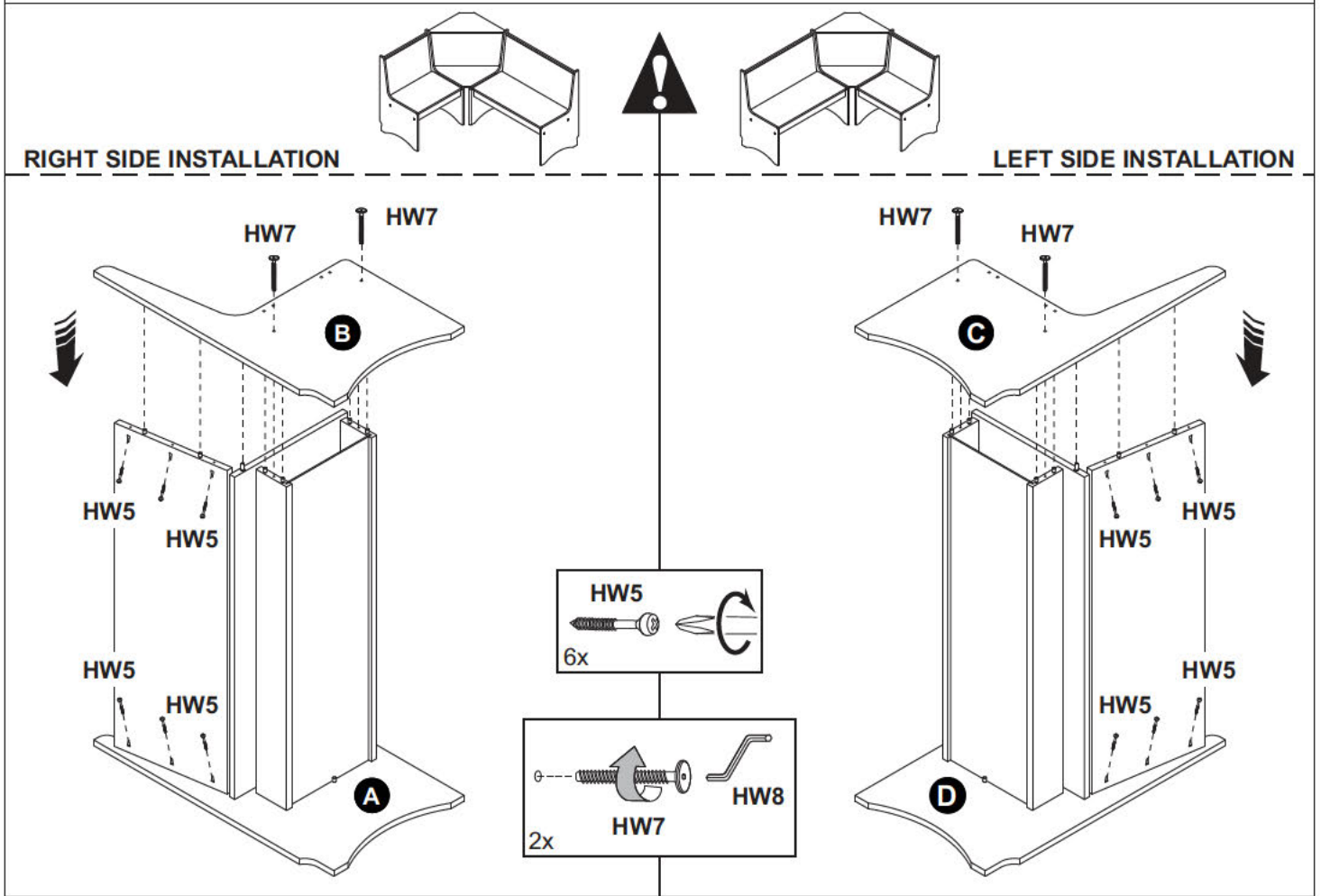
STEP 8: Attach the side leg to the cross rails using screws.



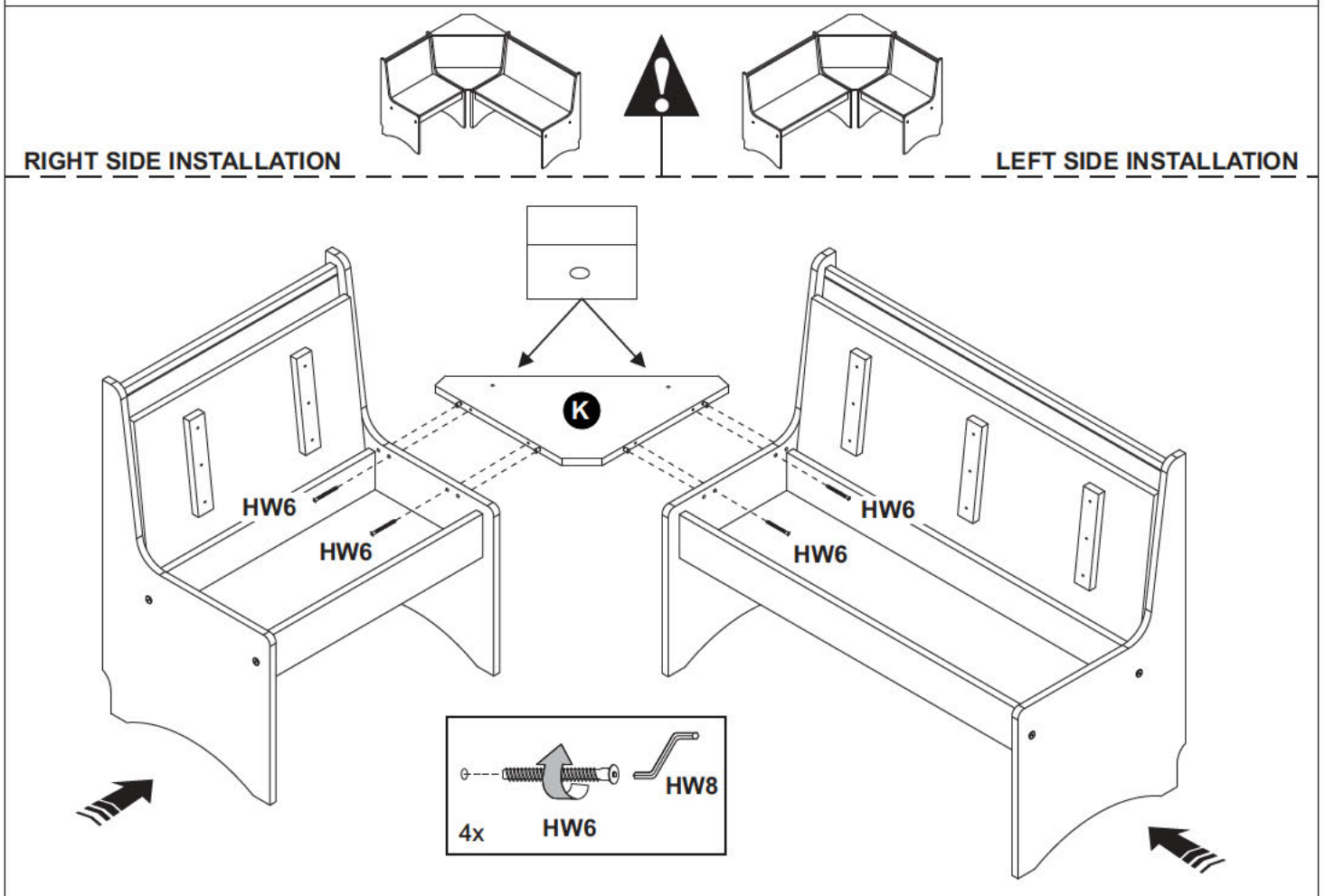
STEP 9: Insert the indicated parts into the side.



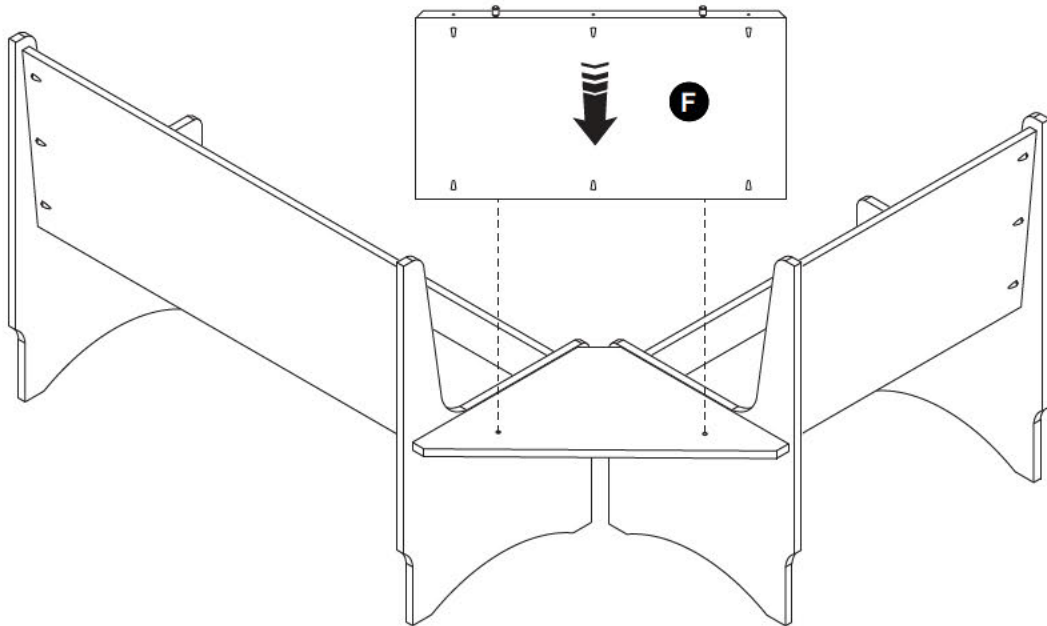
STEP 10: Attach the center leg into the indicated parts using screws.



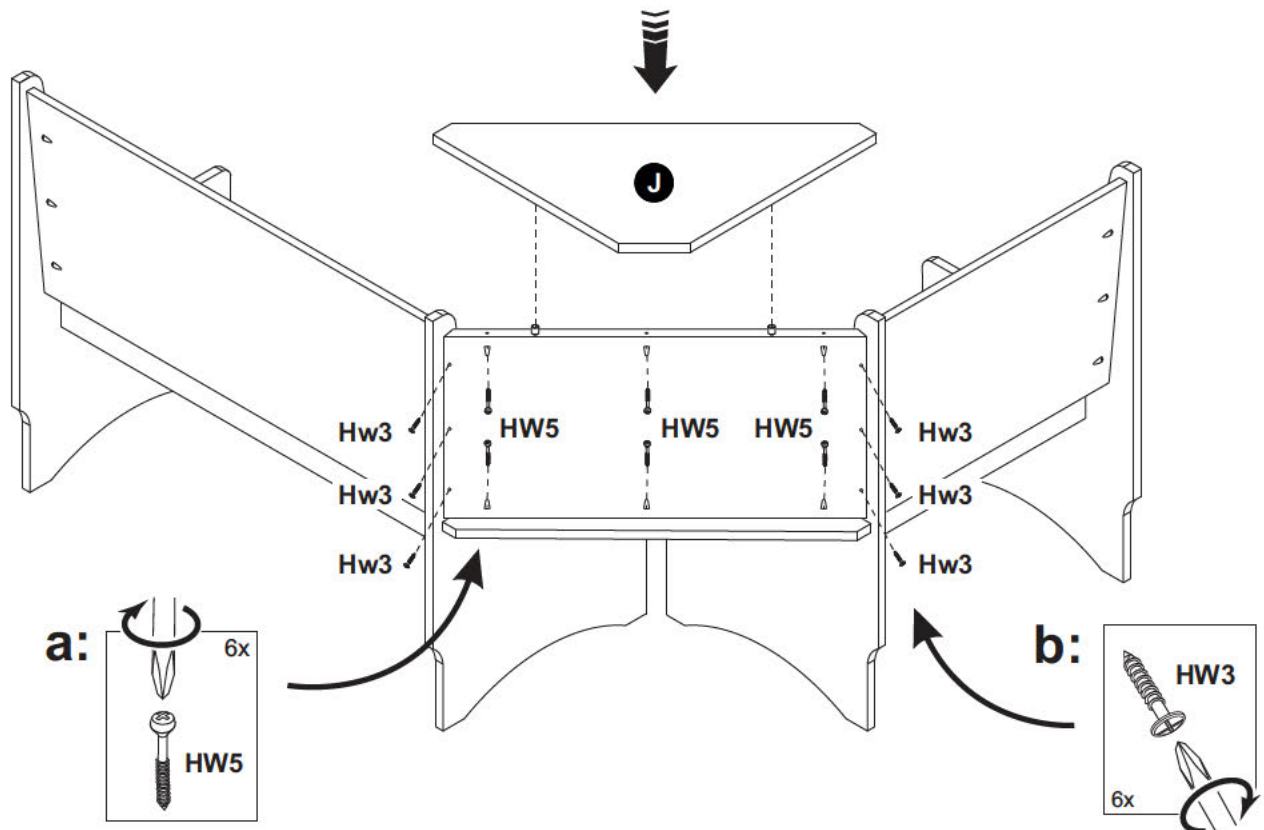
STEP 11: Attach the corner seat using screws.



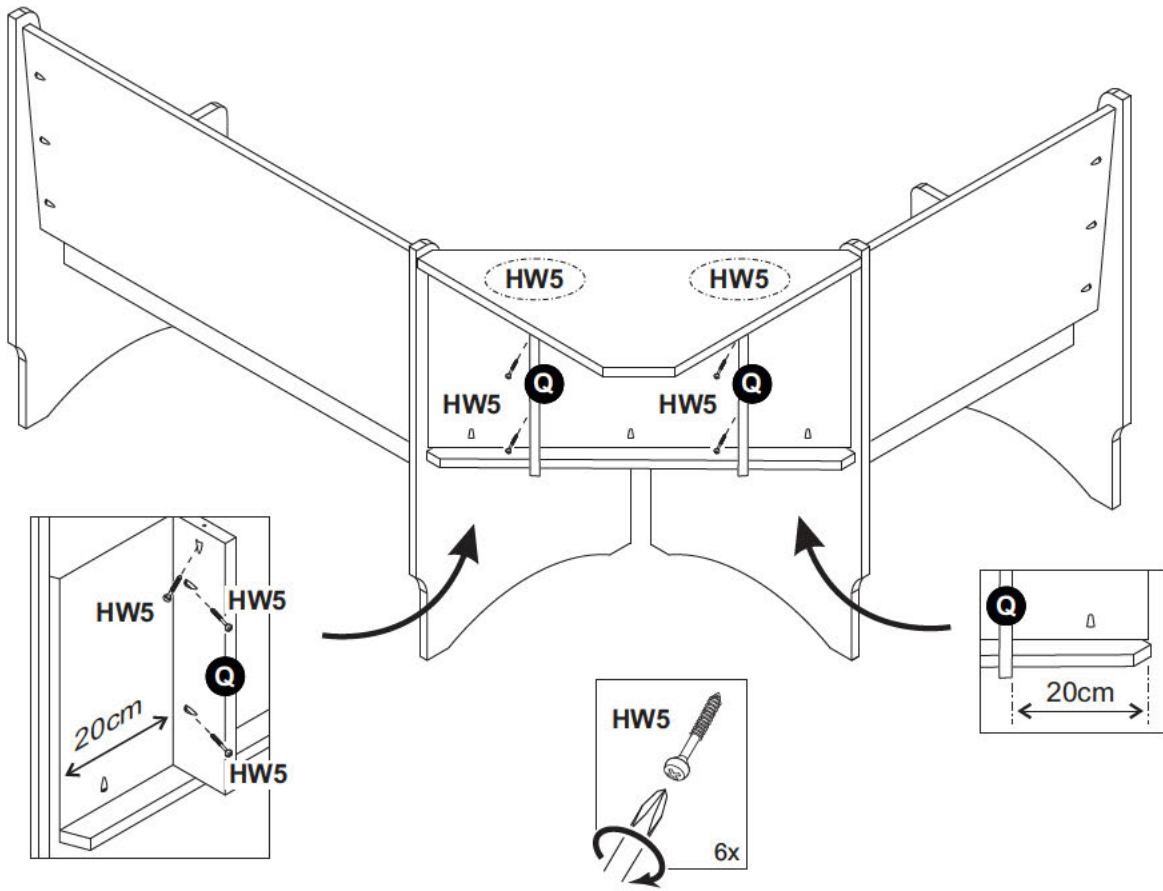
STEP 12: Insert corner back rest panel into the corner seat.



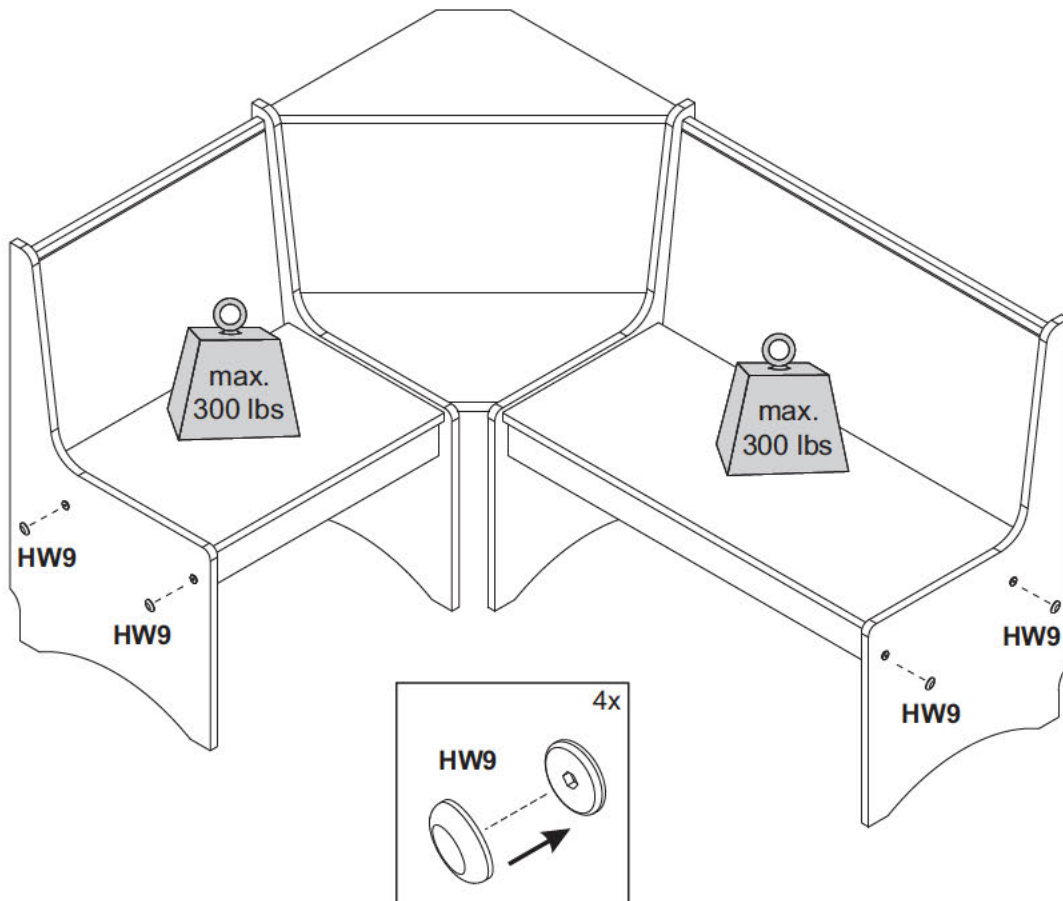
STEP 13: Attach the corner top and corner seat using the screws.



STEP 14: Attach the back supports.



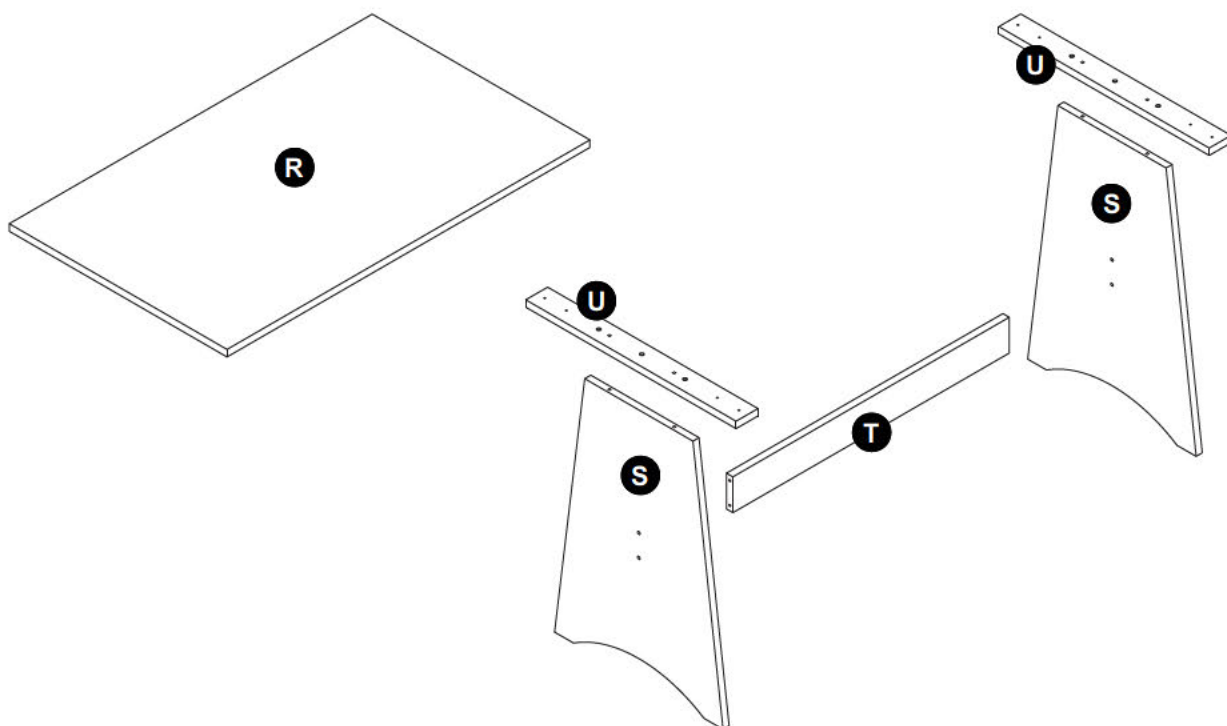
STEP 15: Insert cover caps into the screws.



ASSEMBLY INSTRUCTIONS

Solid Wood Corner Dining Set

Avoid using sharp objects such as a knife to cut open packing as you may accidentally damage the item.

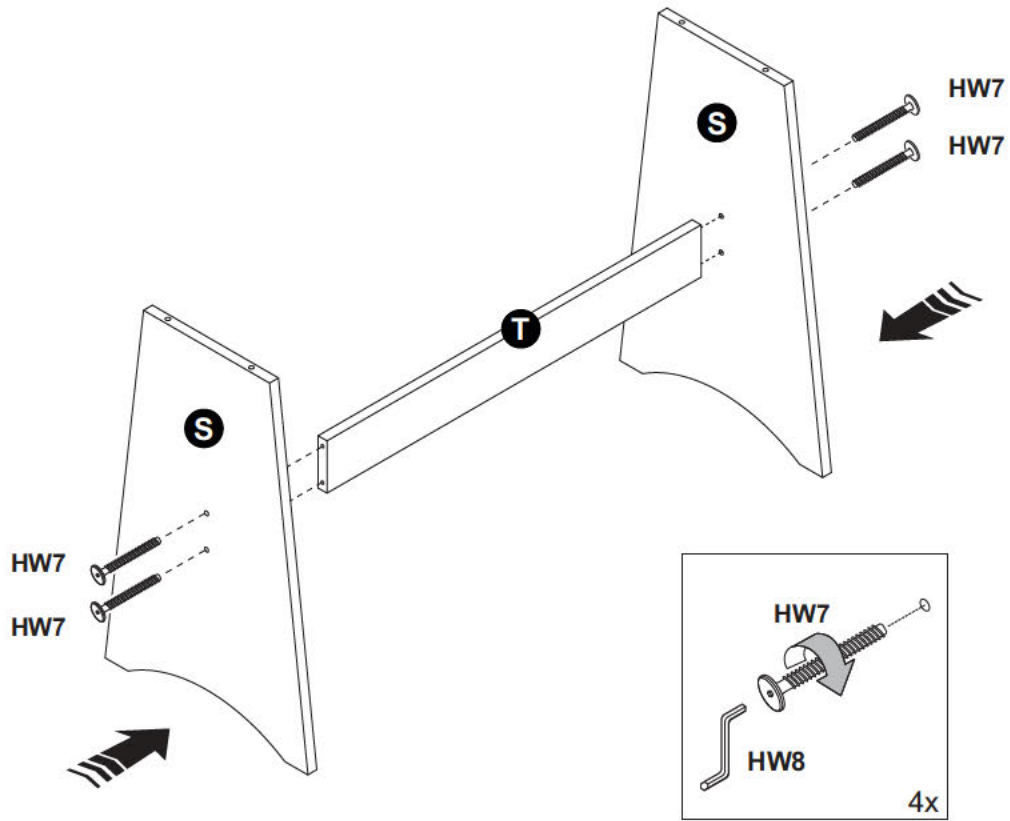


TABLE

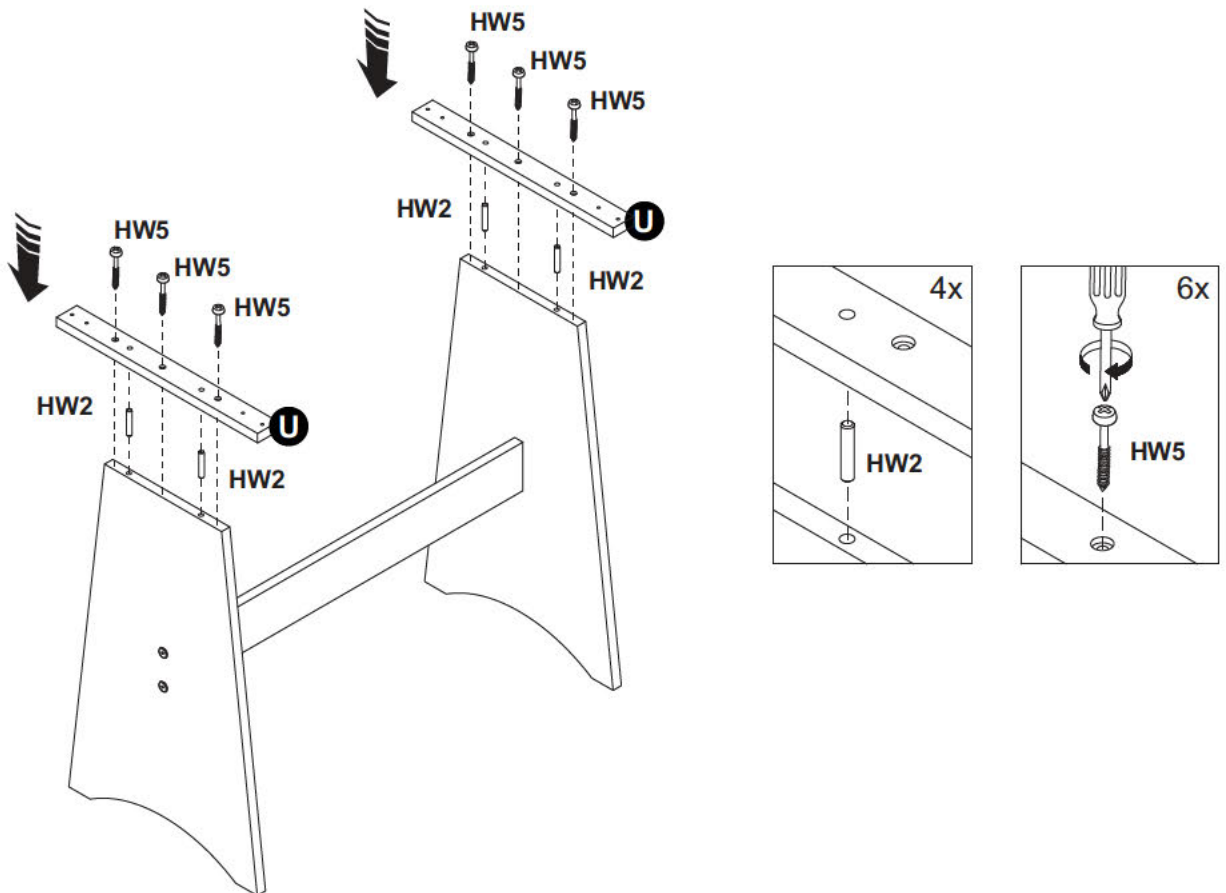
PARTS LIST			
ITEM	DESCRIPTION	SKETCH	QUANTITY
R	Table top		1x
S	Table legs		2x
T	Table Crossbar		1x
U	Table top supports		2x

PARTS LIST			
ITEM	DESCRIPTION	SKETCH	QUANTITY
HW2	Dowel : 8x50mm		4x
HW4	Screw : 4,0x30mm		8x
HW5	Screw : 4,0x35mm		6x
HW7	Screw : 7,0x50mm		4x
HW8	Allen Key		1x
HW9	Cover cap		4x

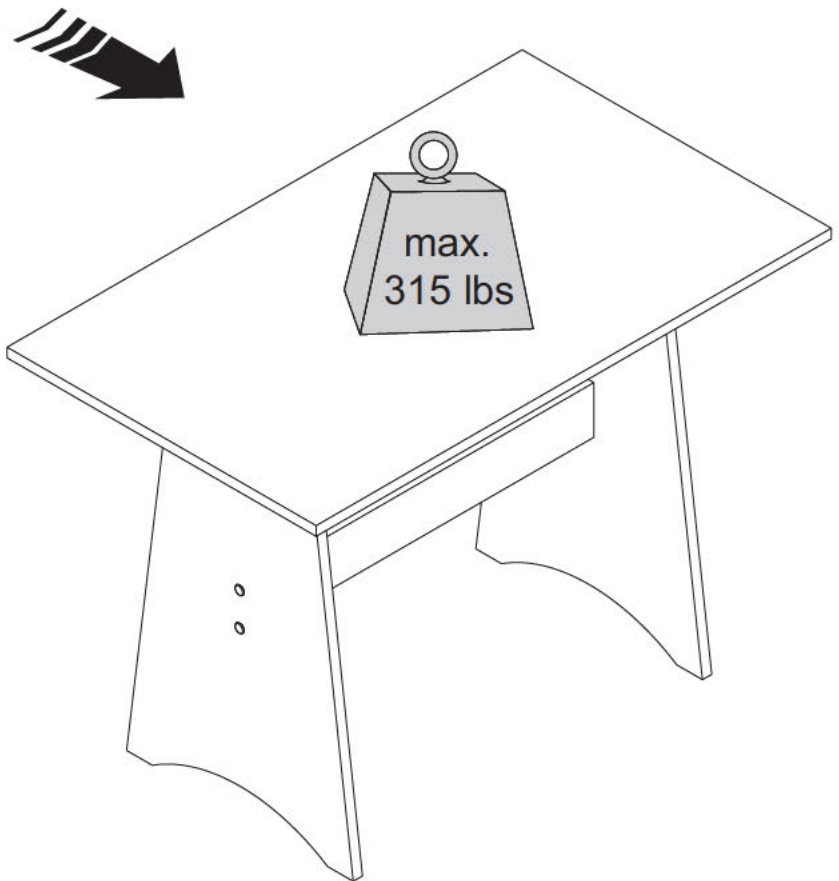
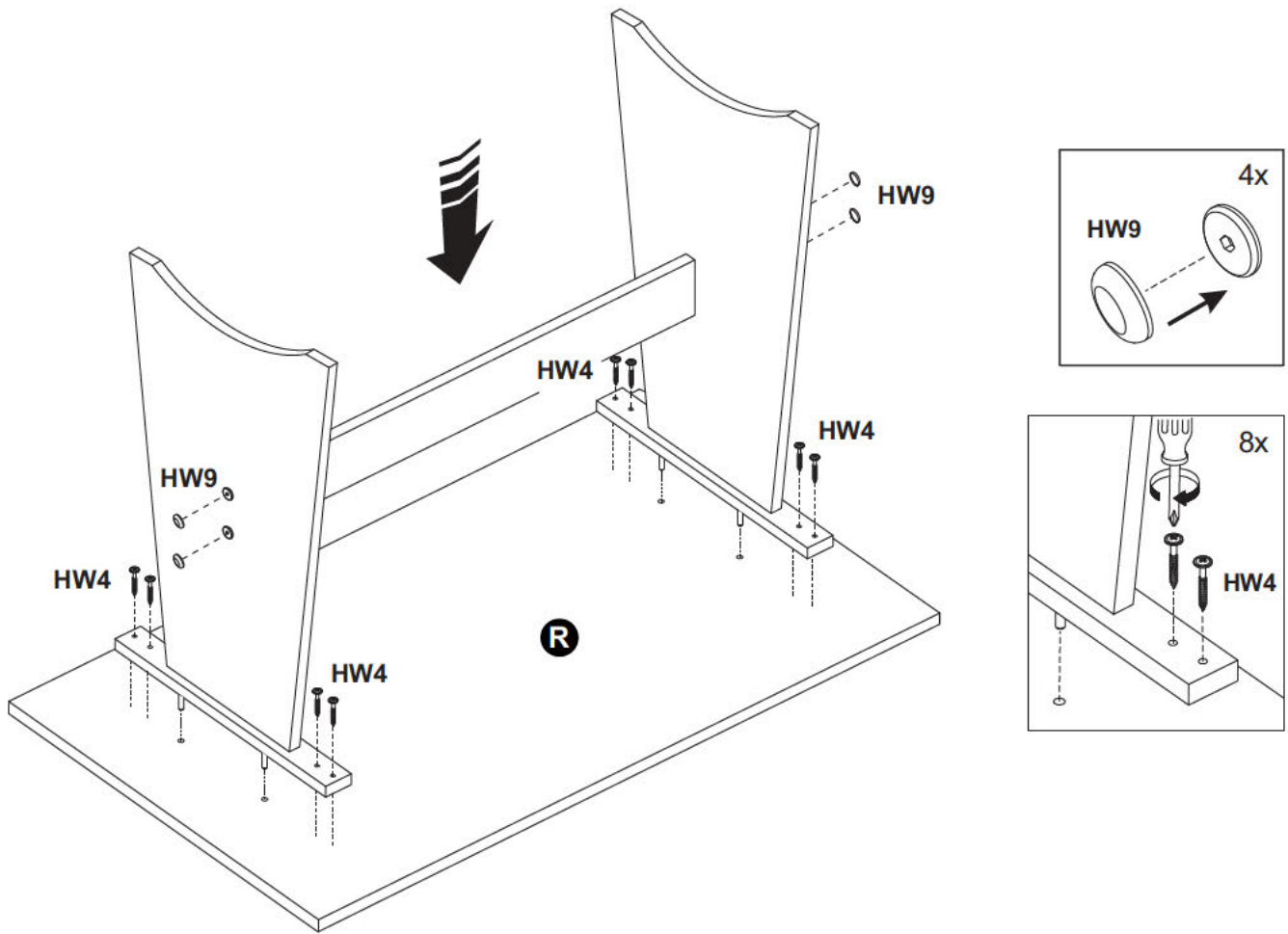
STEP 1: Attach the table legs to the table crossbar.



STEP 2: Attach the table top supports using screws.



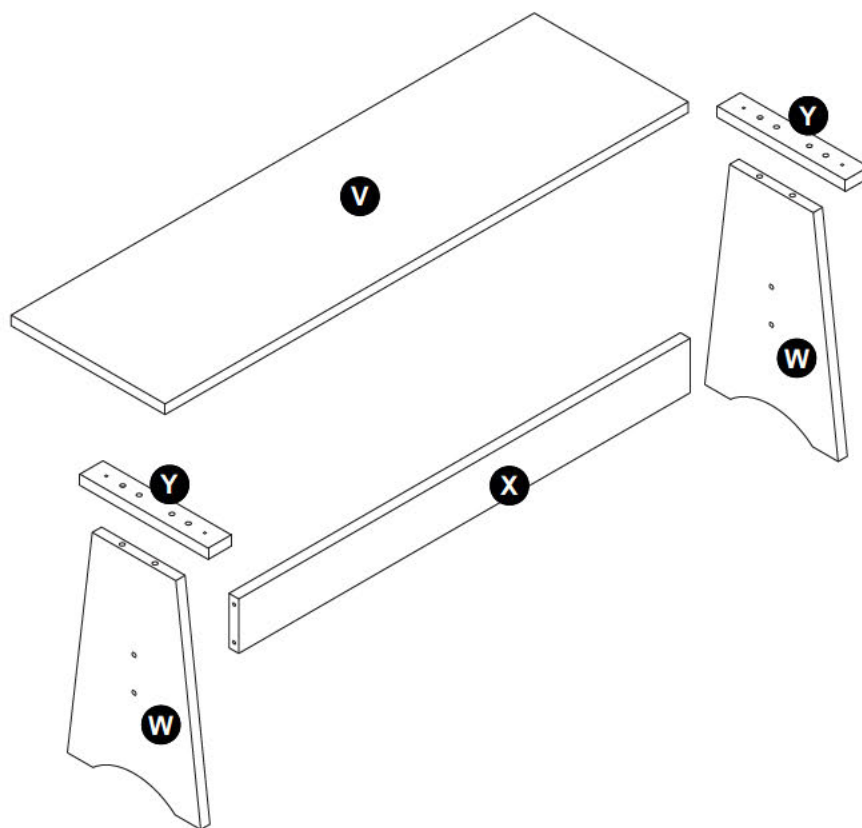
STEP 3: Attach the table top using screws. Insert cover caps into the screws.



ASSEMBLY INSTRUCTIONS

Solid Wood Corner Dining Set

Avoid using sharp objects such as a knife to cut open packing as you may accidentally damage the item.

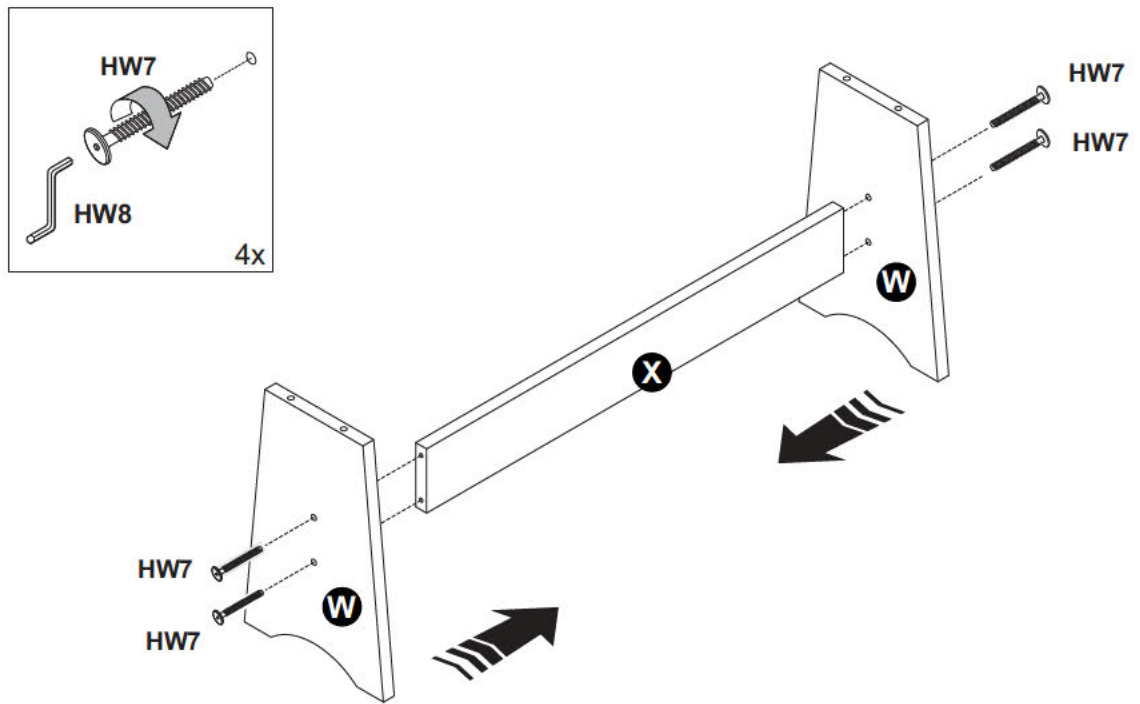


BENCH

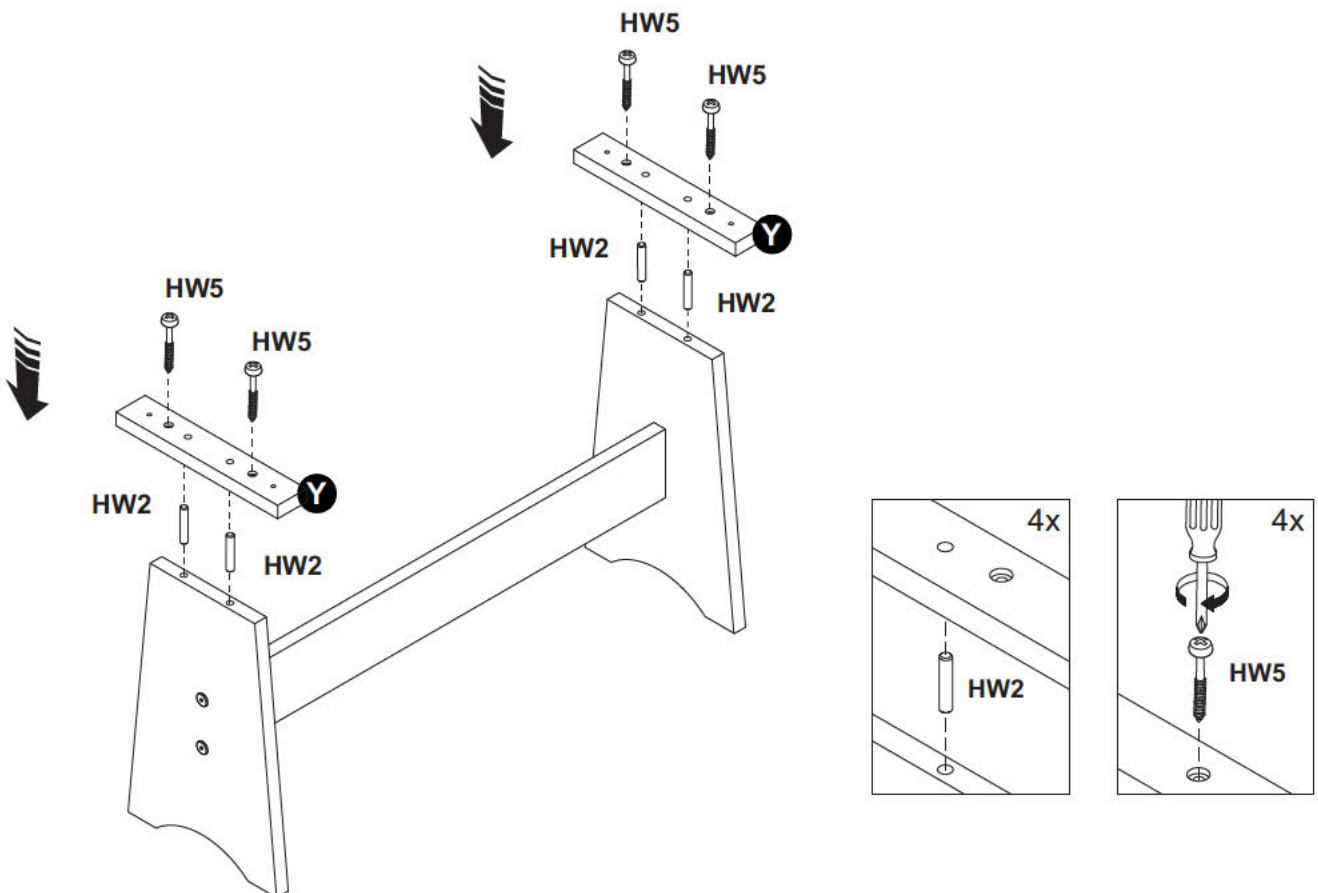
PARTS LIST			
ITEM	DESCRIPTION	SKETCH	QUANTITY
V	Bench seat		1x
W	Bench legs		2x
X	Bench Crossbar		1x
Y	Bench top supports		2x

PARTS LIST			
ITEM	DESCRIPTION	SKETCH	QUANTITY
HW2	Dowel : 8x50mm		4x
HW4	Screw : 4,0x30mm		4x
HW5	Screw : 4,0x35mm		4x
HW7	Screw : 7,0x50mm		4x
HW8	Allen Key		1x
HW9	Cover cap		4x

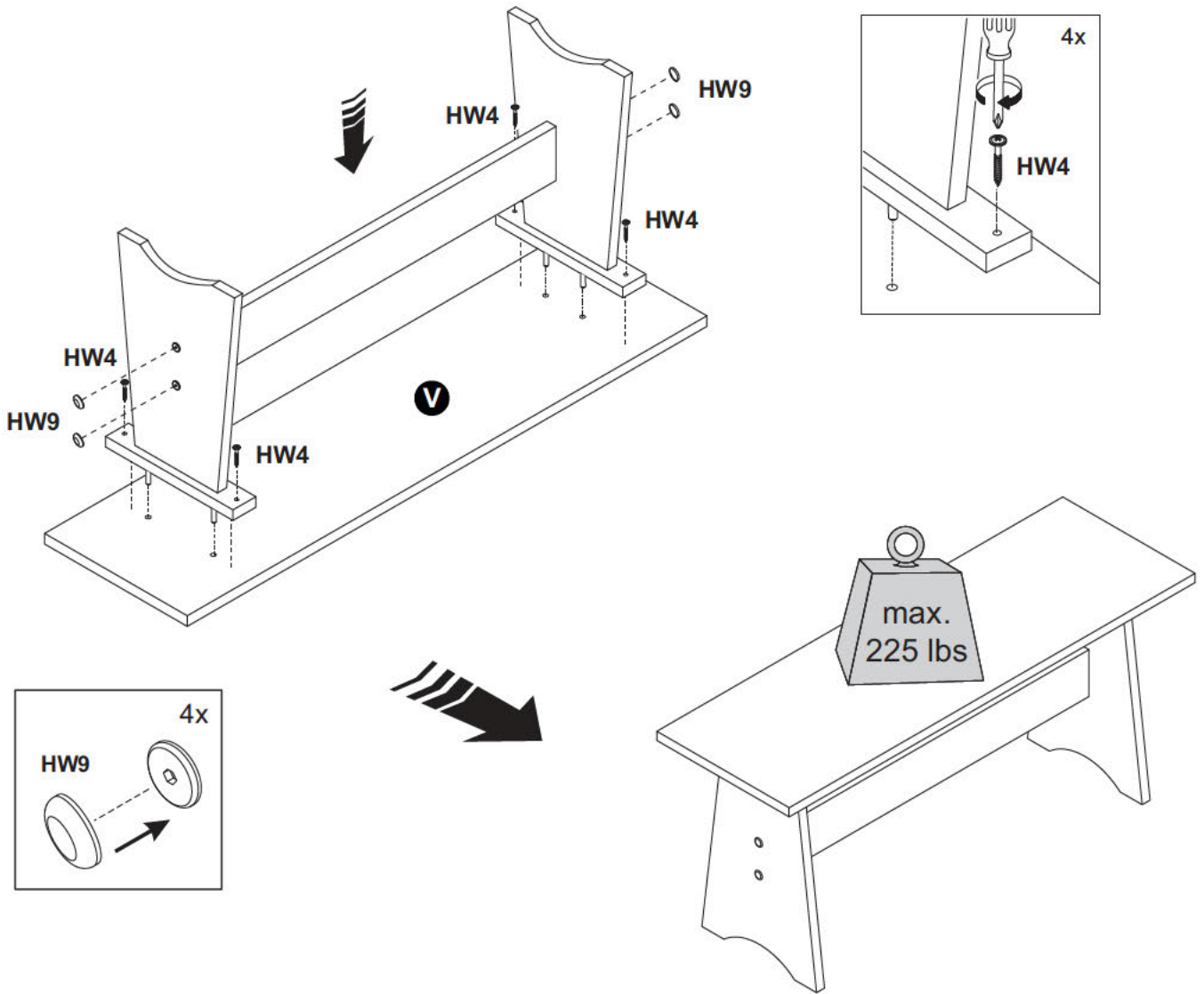
STEP 1: Attach the bench legs to the bench crossbar using screws.



STEP 2: Attach the bench top supports using screws.



STEP 3: Attach the bench seat using screws. Insert cover caps into the screws.



CLEANING INSTRUCTIONS: Clean with Soft cloth, brush, or lightly vacuum.

ADULT ASSEMBLY REQUIRED

If you are missing any parts or have any questions regarding assembly, do not return this item to the retailers store. Please call our toll-free, customer service number and have this assembly manual open to the parts list ready to provide the model name, number and part name or number.



WARNING: This product may contain small components, please ensure they are kept away from small children.