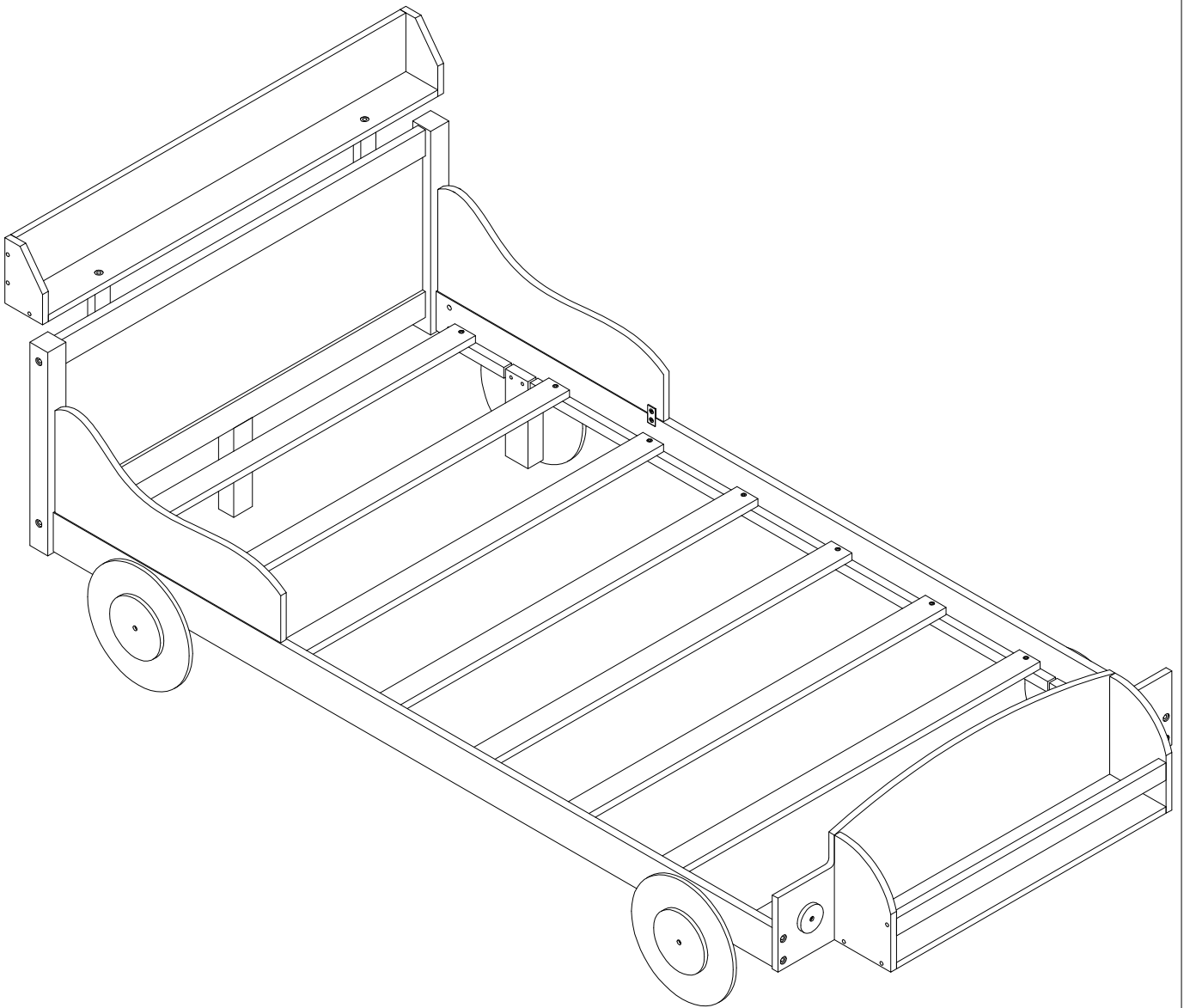


ASSEMBLY INSTRUCTION

SKU CODE: (WF305170)



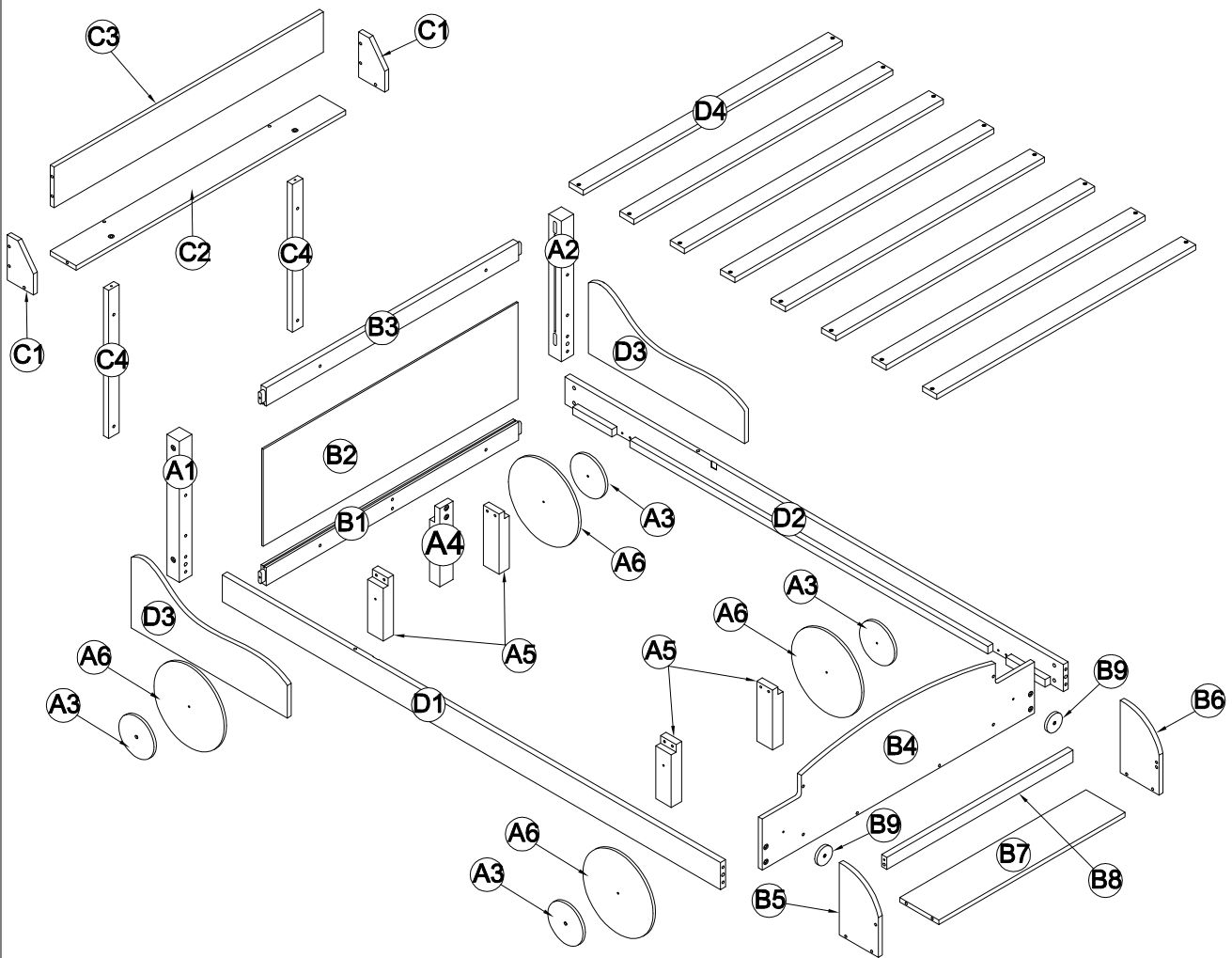
! SAFETY WARNINGS !

1. This bed is designed for use only mattress(es) meeting the following specifications on the upper bunk, and lower bunk:



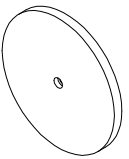

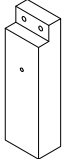
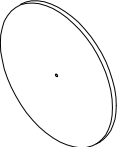
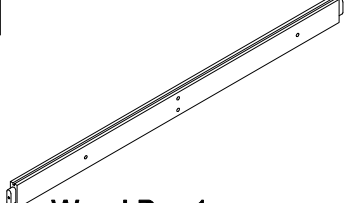
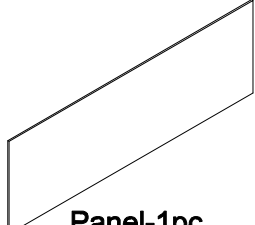
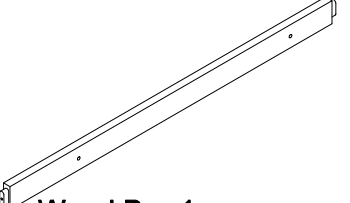
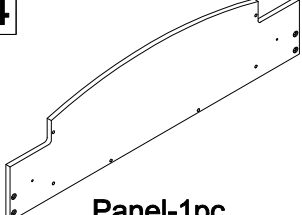
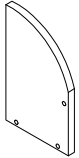
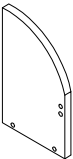
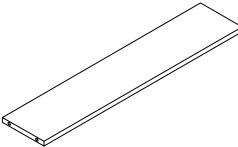

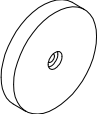
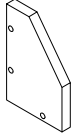
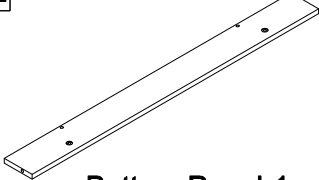
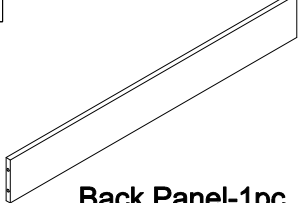

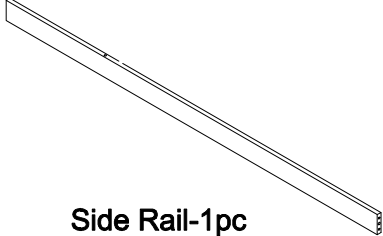
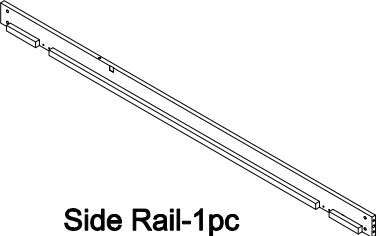
Bed Type	Length	Width	Thickness
<i>Twin Standard</i>	<i>74" - 75"</i>	<i>38 1/2"</i>	<i>8" max</i>

2. Replacement parts, including additional guardrails, may be obtained from any of our (GIGACLOUD TECHNOLOGY(USA) INC) dealers
3. Follow the information on the warnings appearing on the upper bunk bed end structure and on the carton. Do not remove warning label from bed.
4. Always use the recommended size mattresses or mattress supports, or both, to help prevent the likelihood of entrapment or falls.
5. Surface of the mattress must be at least 5 in. (127 mm) below the upper edge of guardrails.
6. Do not allow children under 6 years of age to use the upper bunk.
7. Periodically check and ensure that the guardrail, ladder, and other components are in their proper position, free from damage, and that all connectors are tight.
8. Do not allow horseplay on or under the bed and prohibit jumping on the bed
9. Always use the ladder for entering and leaving the upper bunk.
10. Do not use substitute parts. Contact the manufacturer or dealer for replacement parts.
11. Use of a night light may provided added safety precaution for a child using the upper bunk.
12. Always use guardrails on both long sides of the upper bunk. If the bunk bed will be placed next to the wall, the guardrail that runs the full length of the bed should be placed against the wall to prevent entrapment between the bed and wall.
13. The use of water or sleep flotation mattresses is prohibited.
14. **STRANGULATION HAZARD** – Never attach or hang items to any part of the bunk bed that are not designed for use with the bed; for example, but not limited to, hook, belts and jump ropes.
15. Keep these instructions for future reference

ASSEMBLY INSTRUCTION

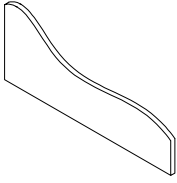


Part List (Box 1-WF305170)

<p>A1</p>  <p>Leg-1pc</p>	<p>A2</p>  <p>Leg-1pc</p>	<p>A3</p>  <p>Small Wood Wheels-4pcs</p>
<p>A4</p>  <p>Support Wood Bar-1pc</p>	<p>A5</p>  <p>Support Side Rails-4pcs</p>	<p>A6</p>  <p>Big Wood Wheels-4pcs</p>
<p>B1</p>  <p>Wood Bar-1pc</p>	<p>B2</p>  <p>Panel-1pc</p>	<p>B3</p>  <p>Wood Bar-1pc</p>
<p>B4</p>  <p>Panel-1pc</p>	<p>B5</p>  <p>Side Panel-1pc</p>	<p>B6</p>  <p>Side Panel-1pc</p>
<p>B7</p>  <p>Bottom Panel-1pc</p>	<p>B8</p>  <p>Wood Bar-1pc</p>	<p>B9</p>  <p>Small Wood Wheels-2pcs</p>
<p>C1</p>  <p>Side Panels-2pcs</p>	<p>C2</p>  <p>Bottom Panel-1pc</p>	<p>C3</p>  <p>Back Panel-1pc</p>
<p>C4</p>  <p>Vetical Bars-2pcs</p>	<p>D1</p>  <p>Side Rail-1pc</p>	<p>D2</p>  <p>Side Rail-1pc</p>

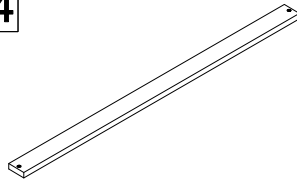
Part List (Box 1-WF305170)

D3





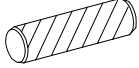
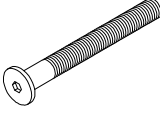

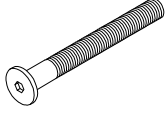
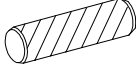

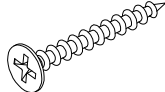
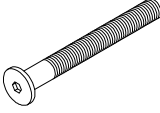
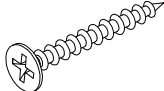
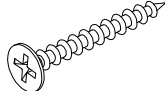

Side Panels-2pcs

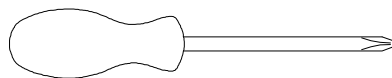
D4



Slats-8pcs

Hardware List

<p>1</p>  <p>Screws 1/4"x35 22pcs</p>	<p>2</p>  <p>Screws 1/4"x70 4pcs</p>	<p>3</p>  <p>Ø10 x 40 mm Wood dowel 4pcs</p>
<p>4</p>  <p>Ø1/4" x 90 mm Hex-Head bolts 4pcs</p>	<p>5</p>  <p>Ø1/4" x 13 mm Horizontal-Hole bolts 8pcs</p>	<p>6</p>  <p>Ø1/4" x 60 mm Hex-Head bolts 8pcs</p>
<p>7</p>  <p>Ø8 x 30 mm Wood dowel 4pcs</p>	<p>8</p>  <p>Steel Bracket 2pcs</p>	<p>9</p>  <p>M4 x 15 mm Wood Screws 4pcs</p>
<p>10</p>  <p>Ø1/4" x 30 mm Hex-Head bolts 19pcs</p>	<p>11</p>  <p>M4 x 20 mm Wood Screws 2pcs</p>	<p>12</p>  <p>M4 x 30 mm Wood Screws 16pcs</p>
<p>13</p>  <p>Allen Key 1pc</p>		



Assembly Tools Required (Not Included)

STEP 1: Following below illustration:

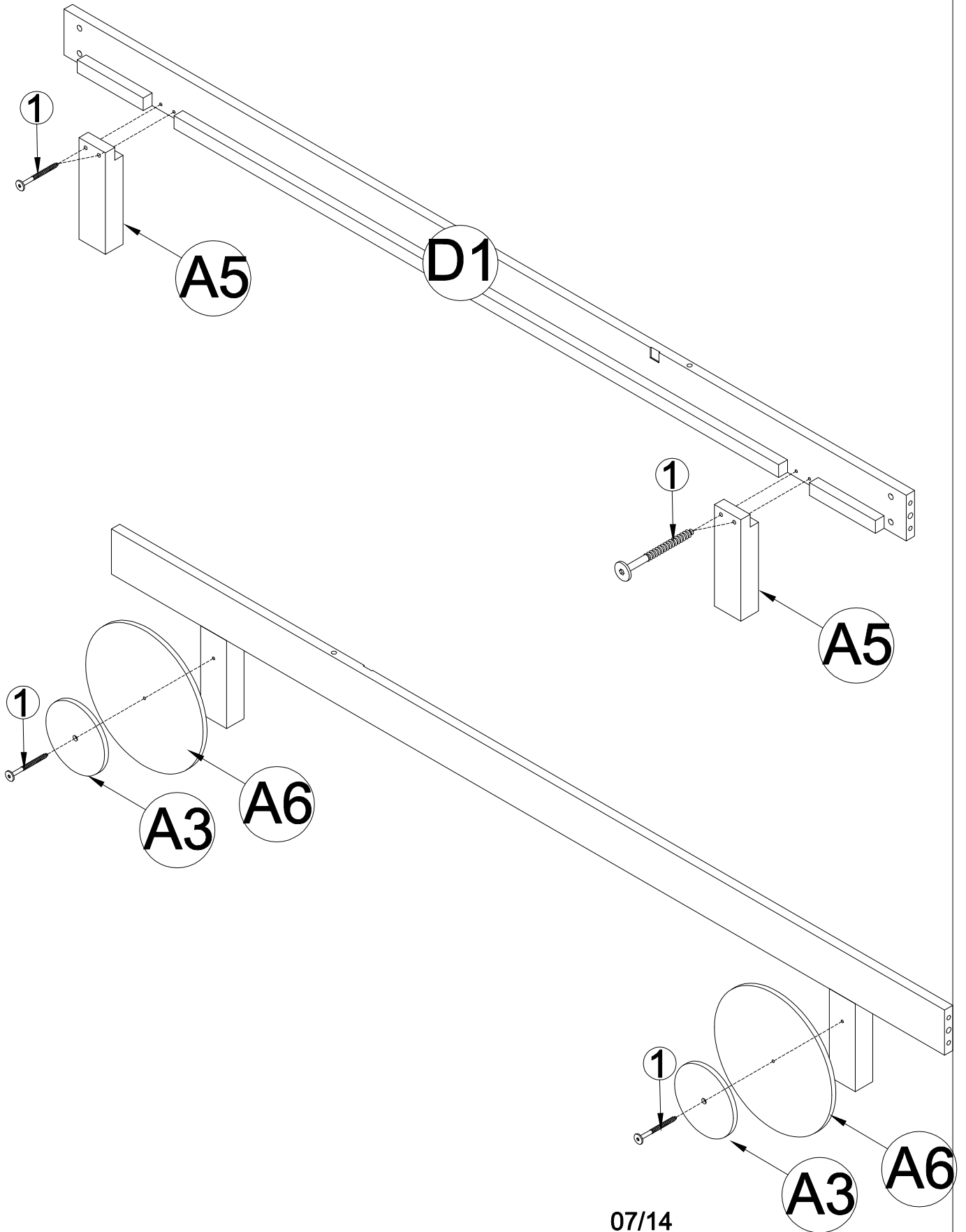
1.1: Using hardware #1 connect A5(x2) Legs with D1 Side Rail

1.2: Using hardware #1 connect A3(x2), A6(x2) Legs with Frame (completed on step 1.1)

1



6pcs



STEP 2: Following below illustration:

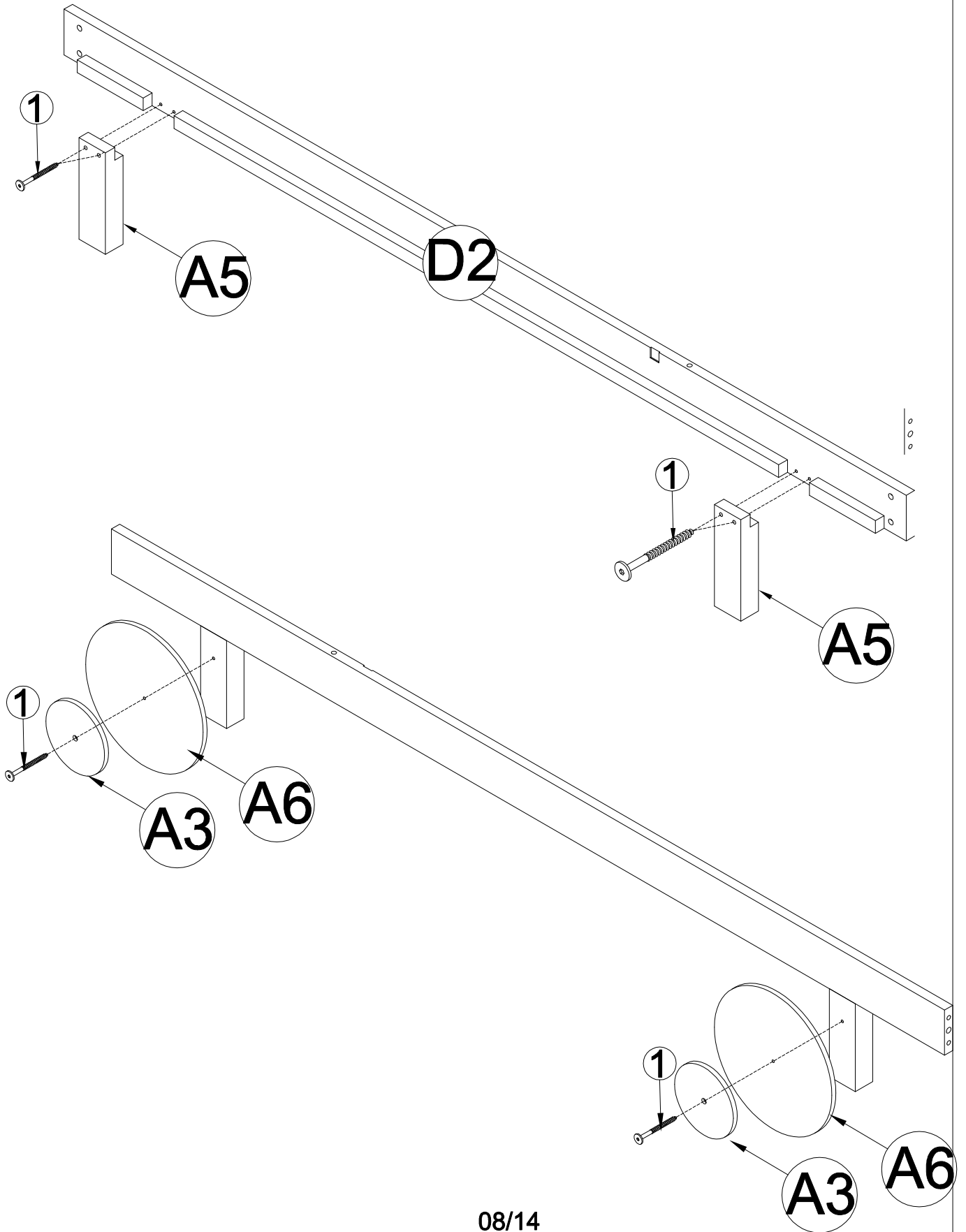
2.1:Using hardware #1 connect A5(x2) Legs with D2 Side Rail

2.2:Using hardware #1 connect A3(x2),A6(x2) Legs with Frame(completed on step 2.1)

1



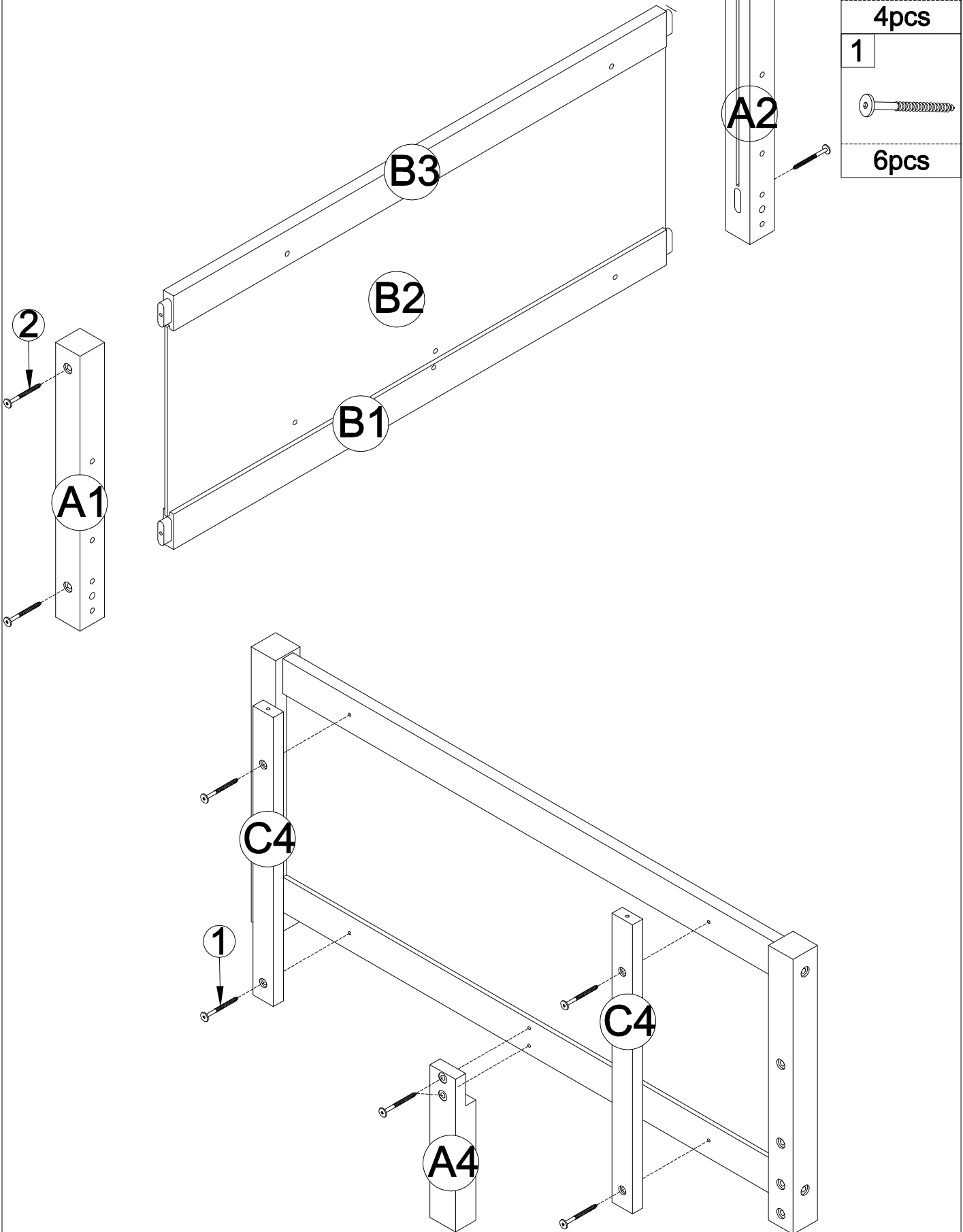
6pcs



STEP 3: Following below illustration:

3.1: Using hardware #2 connect A1, A2 Legs with B1, B3 Wood Bars and B2 Panels

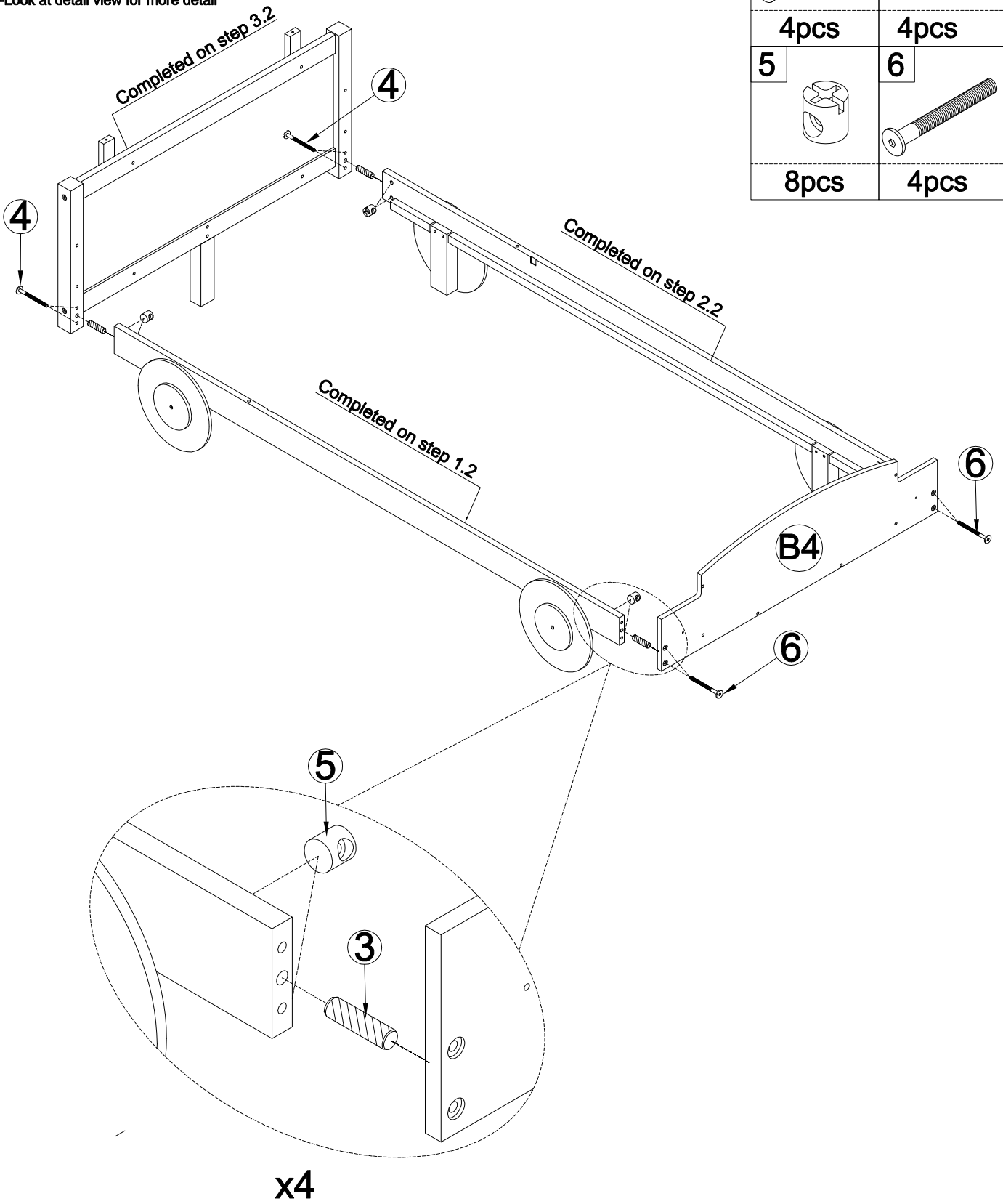
3.2: Using hardware #1 connect C4(x2), A4 Leg with Frame (completed on step 3.1)



STEP 4:

Following below illustration:

-Using hardware #4,#5,#6 and dowel #3 to Assembly Frames (Completed on step 3.2)
with Frames (Completed on step 2.2,step 1.2) and B4 Panel
-Look at detail view for more detail


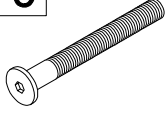
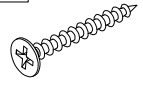



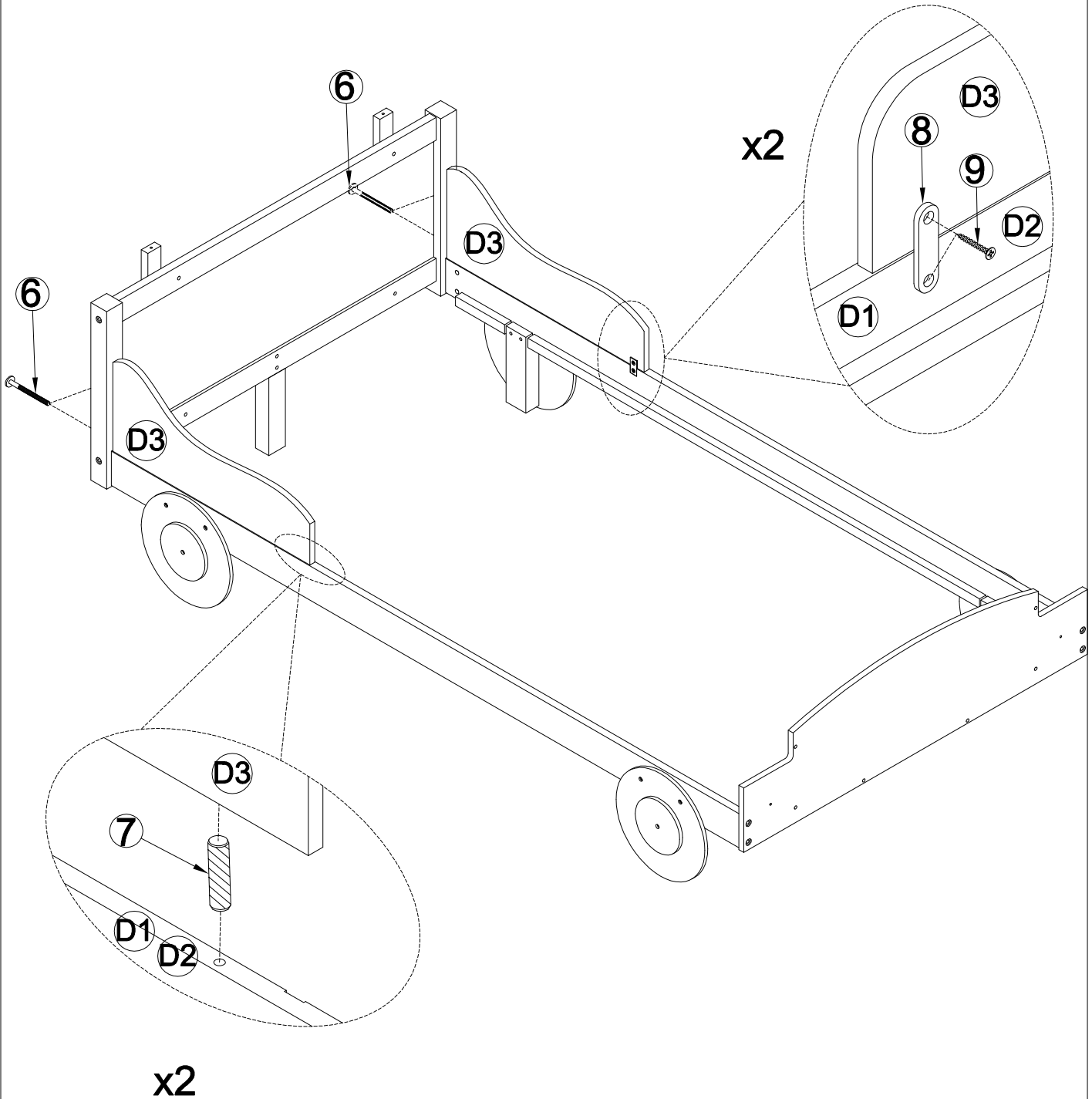
4	3
4pcs	4pcs
5	6
8pcs	4pcs

STEP 5: Following below illustration:

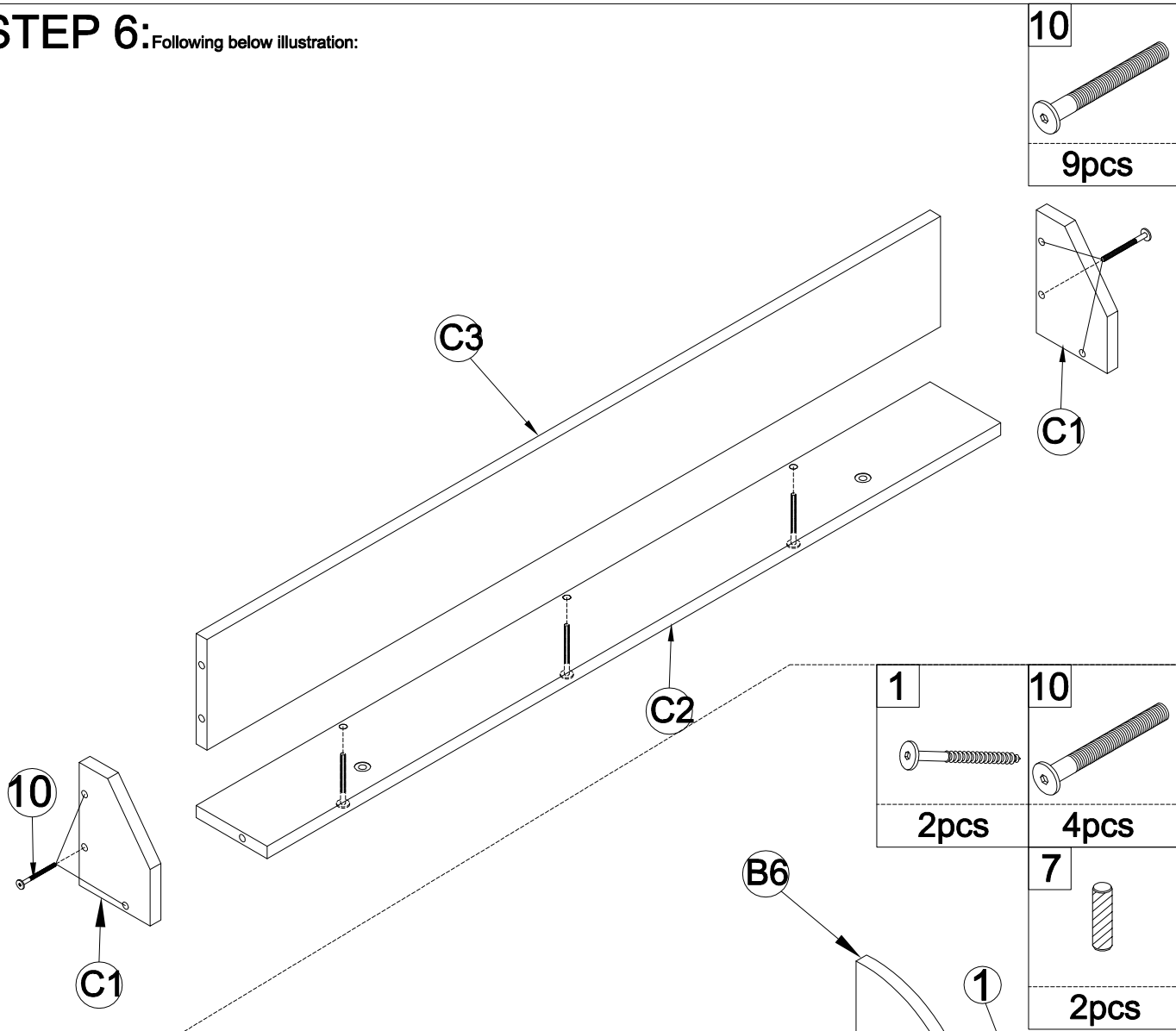
-Using hardware #6,#8,#9 and dowel #7 to Assembly Frames (Completed on step 4) with D3(x2) Panels

-Look at detail view for more detail

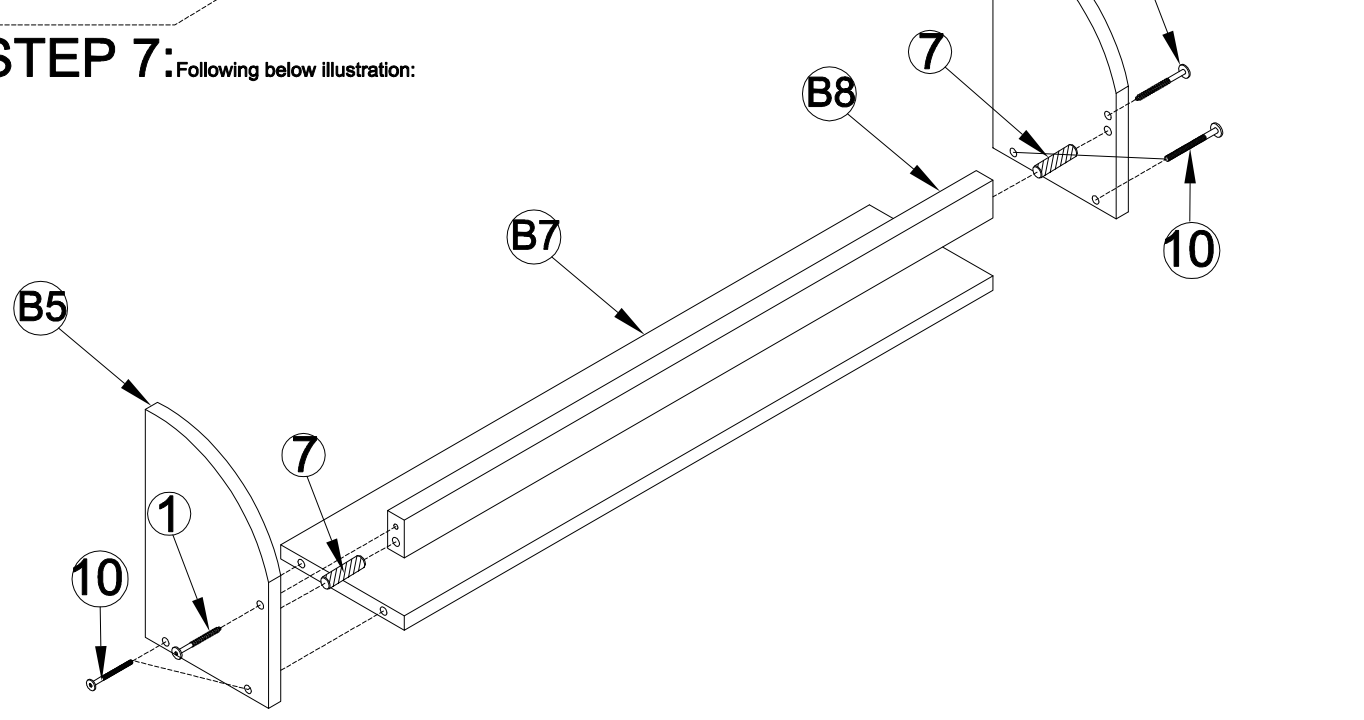
7		6	
2pcs		4pcs	
9		8	
4pcs		2pcs	



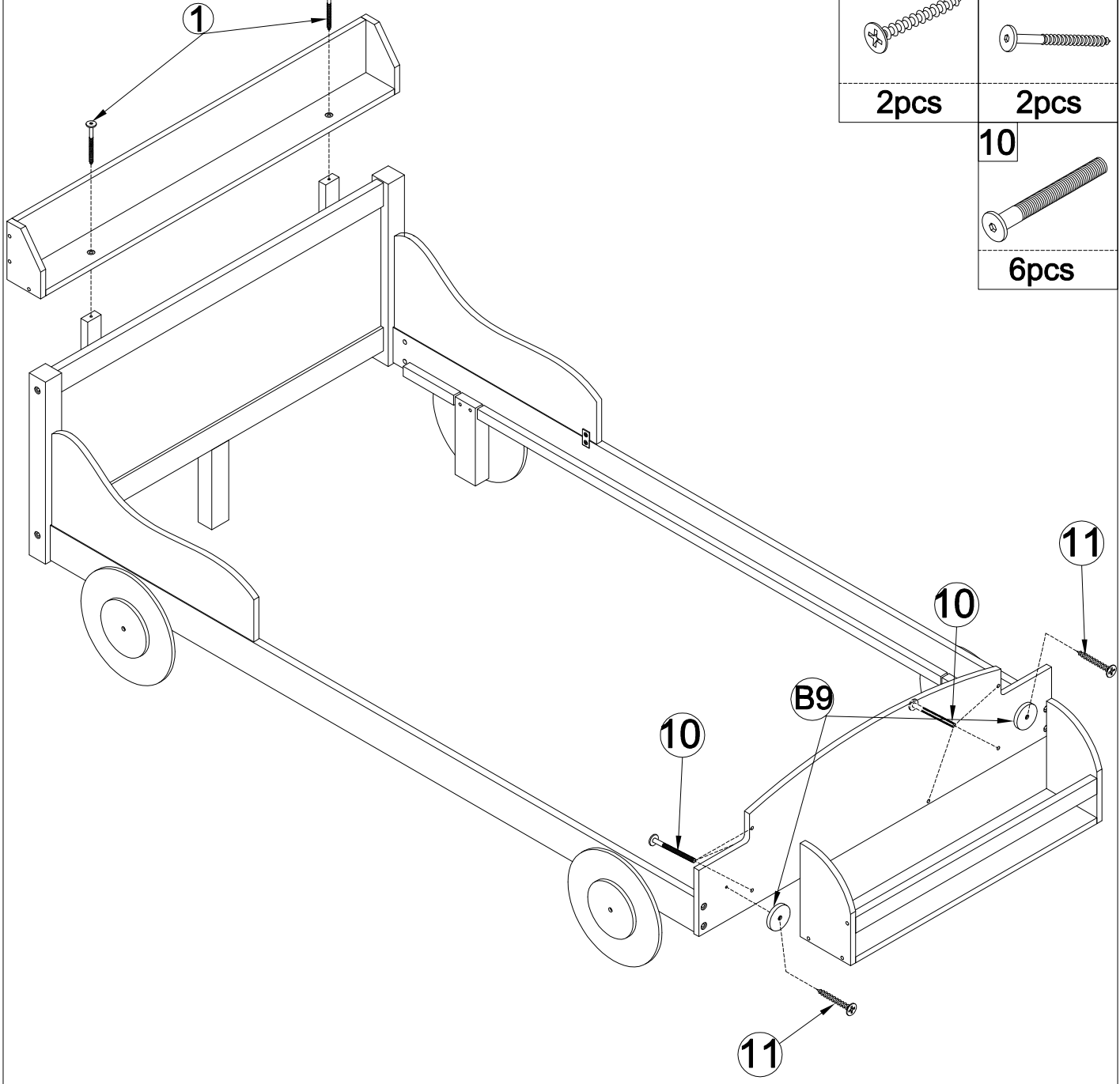
STEP 6: Following below illustration:

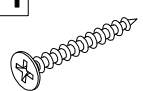

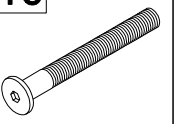


STEP 7: Following below illustration:



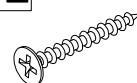
STEP 8: Following below illustration:



11 	1 
2pcs	2pcs
	10 
	6pcs

STEP 9: Following below illustration:

12



16pcs

