

---

# **24"/30"/36"/48"**

## **Wall Mounted Vanities**

### **INSTALLATION GUIDE**



The Installation Guide serves as a general reference, offering step-by-step guidance for renovation professionals. The tools and fixtures supplied by us for attaching to clients' floors or walls are intended as examples and might not be suitable for all types of surfaces. For optimal results, we recommend engaging a qualified professional to select the appropriate hardware for your specific installation needs. We assume no responsibility for complications arising from incorrect installation or the improper use of tools, including any subsequent damages.

---

# Wall Mounted Vanities

## Installation Instructions for

### 24"/30"/36"/48"

---

## 1 Before You begin:

We recommend consulting a professional installer if you are unfamiliar with plumbing fixture installation. The manufacturer assumes no responsibility for damage to the vanity, plumbing, countertop, sink, or wall, nor for any personal injury incurred during installation.

Please ensure all local plumbing and building codes are followed.

## 2 Getting Started:

Ensure that you have gathered all the necessary tools required for installation.

**Important:** The vanity must be securely fastened to wall studs behind the finished wall surface. If the studs do not align with the mounting points on the vanity, appropriate wood blocking must be installed between the studs at the mounting location.

### Tools not included in the package



**Pencil**



**Level**



**Tape Measure**



**Drill**

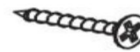


**Stud Finder**



**Phillips Screwdriver**

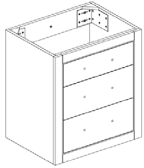
### Tools Included



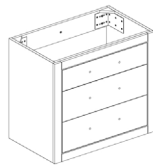
**Screw 4x40 - 6pcs**

---

## CABINET INSTALLATION STEPS



24 Inch



30 Inch



36 Inch



48 Inch

---

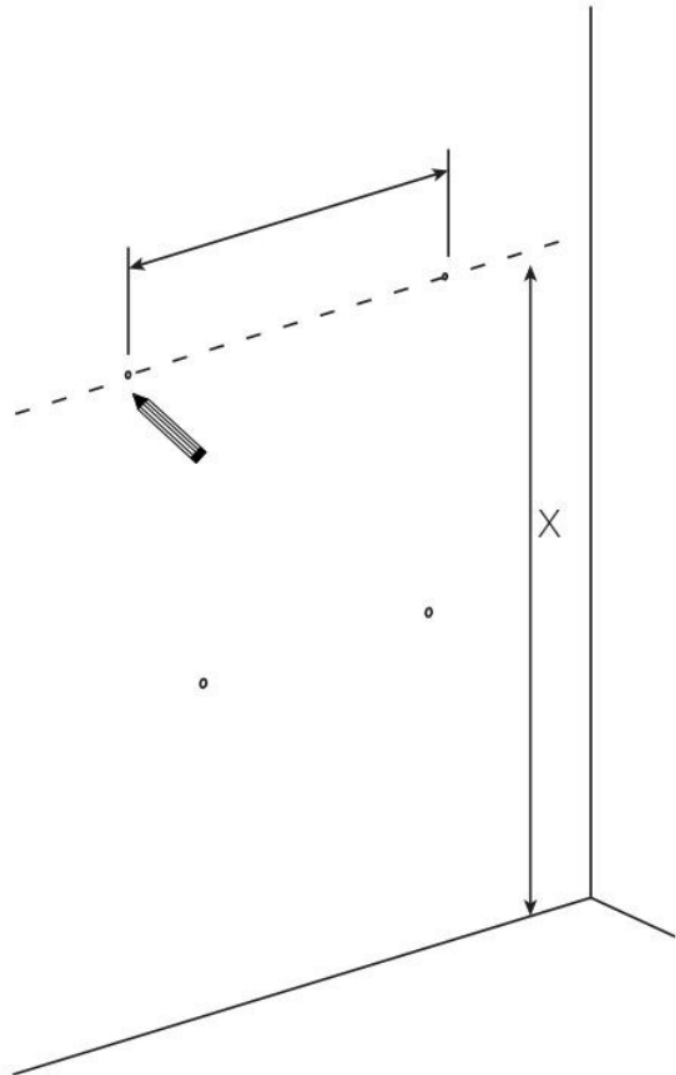
### STEP 1

#### Mark Mounting Hole Positions

Measure the distance between the centers of the mounting brackets on the back of the vanity, and mark the corresponding positions on the wall.

The vertical position (X) should be determined by the purchaser. Be sure to mark low enough to allow for the height of the sink on top of the vanity; otherwise, the final installation may be too high.

Use a level to ensure that the screw hole markings are perfectly horizontal.



---

## STEP 2

### **Install Mounting Hardware**

Drill pilot holes at the marked mounting points. Insert wall anchors into the holes to provide reinforcement. Align the mounting brackets with the pilot holes and secure them using the provided hardware or hardware suitable to your wall.

**Note:** Installation requirements may vary depending on your wall material. Ensure that you use the appropriate hardware for your specific wall type. If you are unfamiliar with this type of installation, we recommend consulting a professional.

