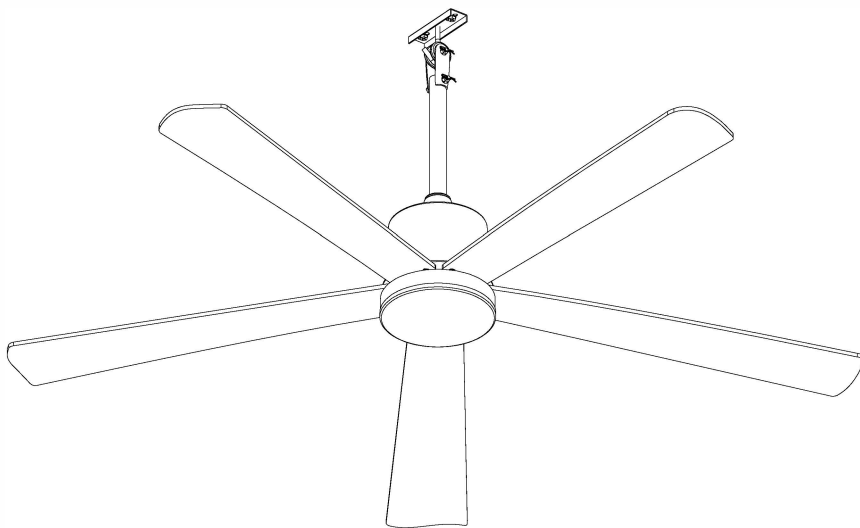


INSTALLATION MANUAL

Ceiling Fan With Lights



Safety Rules

1. Be sure the power to the wires you are working on is disconnected, either the fuse is removed or the circuit breaker is turned off. Turning the power off using the light switch is not sufficient to prevent electrical shock.
2. A qualified licensed electrician is required for the installation.
3. The outlet box and support structure must be securely mounted and capable of reliably /supporting a minimum of 70 pounds. Use only UL (cUL for Canadian Installation) listed mounting boxes marked "FOR FAN SUPPORT".
4. The fan must be mounted with a minimum of 7 feet clearance from the trailing edge of the blades to the floor.
5. Do not operate reversing switch while fan blades are in motion (if applicable). The fan must be turned off and the blades stopped before reversing the blade direction.
6. Do not place any objects in the path of the blades.
7. To avoid personal injury or damage to the fan and other items, be cautious when working around or cleaning the fan.
8. Do not use water or detergents when cleaning the fan or fan blades. A dry dust cloth or lightly dampened soft cloth will be suitable for the cleaning.
9. After marking electrical connections, spliced conductors should be turned upward and pushed carefully up into the outlet box. The wires should be spread apart with the grounded conductor on one side of the outlet box.
10. Electrical diagrams are reference only, different fan lights may have different light shades and bulbs.
11. Use only our replacement parts. This equipment has been tested and found to comply with the limits for a class B digital device, pursuant to part 15 of the FCC Rules. These limits are to provide reasonable protection against harmful interference in a residential installation. This equipment generates, uses, and radiate radio frequency energy and if not installed and used in accordance with the instructions may cause harmful interference to radio communications.

Warning:

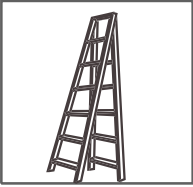
To reduce the risk of personal injury, use only the two steel screws and washers provided with the outlet box for mounting to the outlet box. Most outlet boxes commonly used for the support of lighting fixtures are not acceptable for fan support and need to be replaced, consult a qualified electrician if in doubt.

To reduce the risk of fire, electric shock, or personal injury, mount the fan to the outlet box marked "acceptable for fan support".

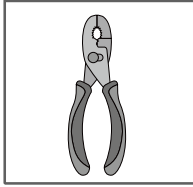
To reduce the risk of personal injury, do not bend the blade brackets (also referred to as flanges) during assembly or after installation. Do not insert objects in the path of the blades.

Installation Preparation

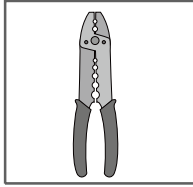
Tools You Need



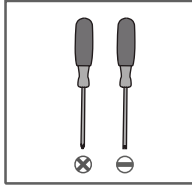
Ladder



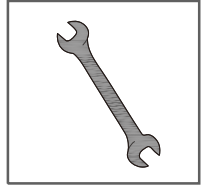
Pliers



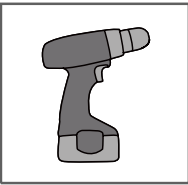
Wire Strippers



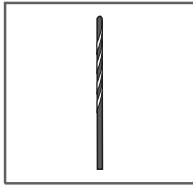
Screwdrivers



Wrench

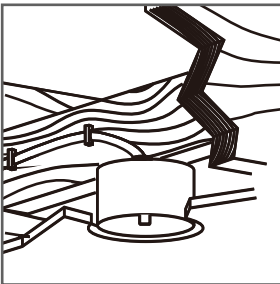


Power Drill
(optional)



Drill Bit
(optional)

What to Expect with Your Installation

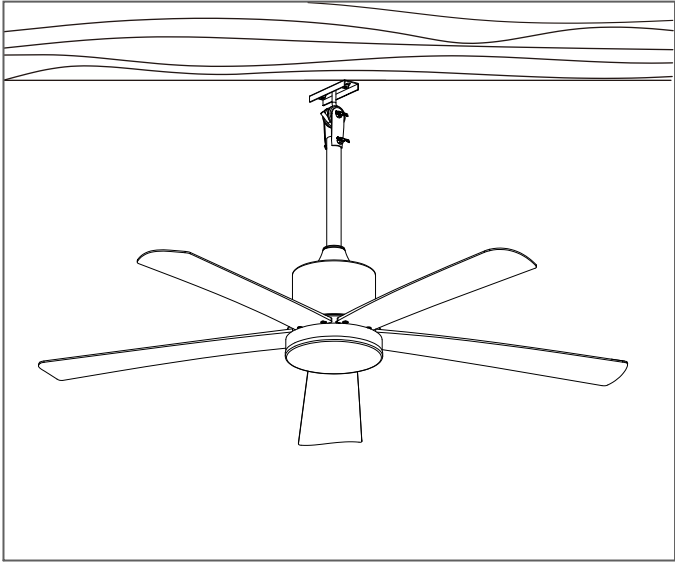


Must be able to secure the fan to building structure or fan-rated outlet box

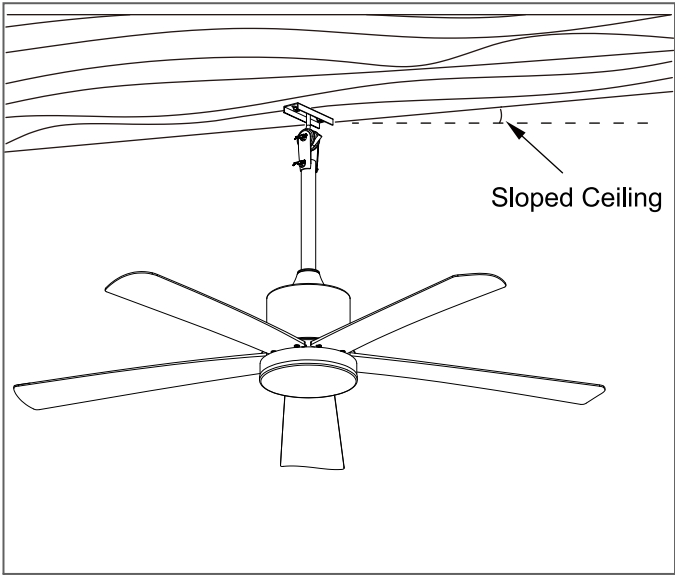


Check the box to see the weight of the fan

Installation Angle



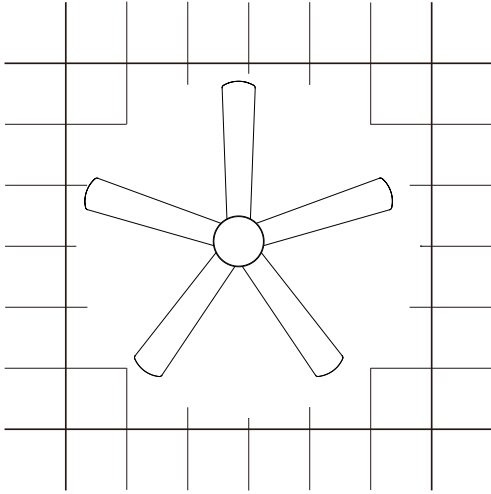
Flat Ceiling



Sloped Ceiling

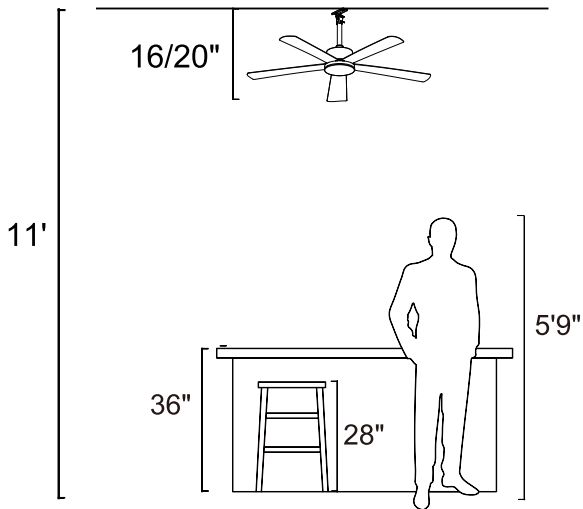
Installation Recommended

Recommended Space Dimensions:



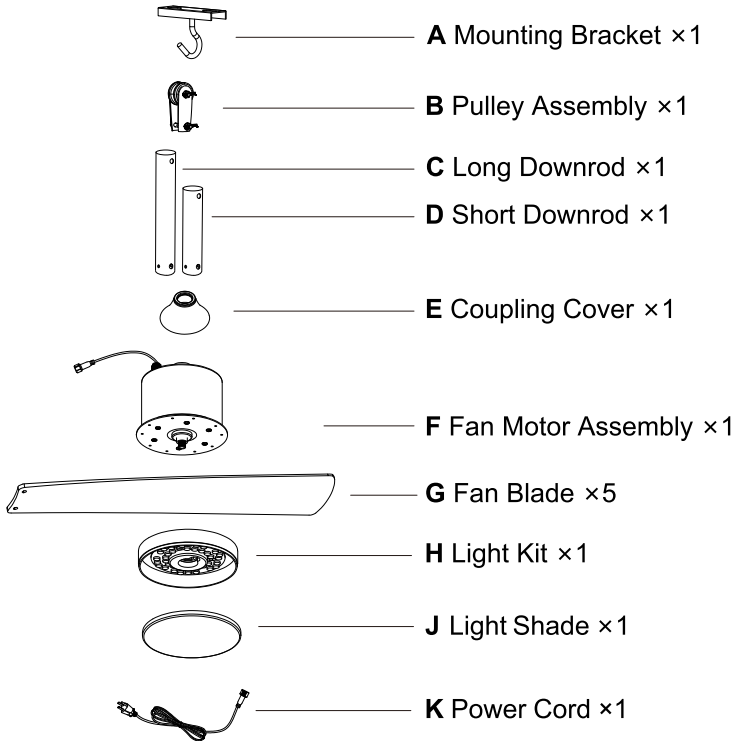
UP TO 12ft × 14ft

Recommended Height:











Recommended ceiling height: 8 to 12 ft.

Packing List



Installation Kit

AA		2x	BB		2x	CC		2x	DD		1x
	Anchor Bolt			Wood Screw			Washer			Plastic Anchor	
EE		1x	FF		1x	GG		1x	HH		1x
	Hook			Cord Tie			Gloves			Remote Control & Holder Kit	

NOTE:

The listed quantity is for installation, extra hardware may be included.

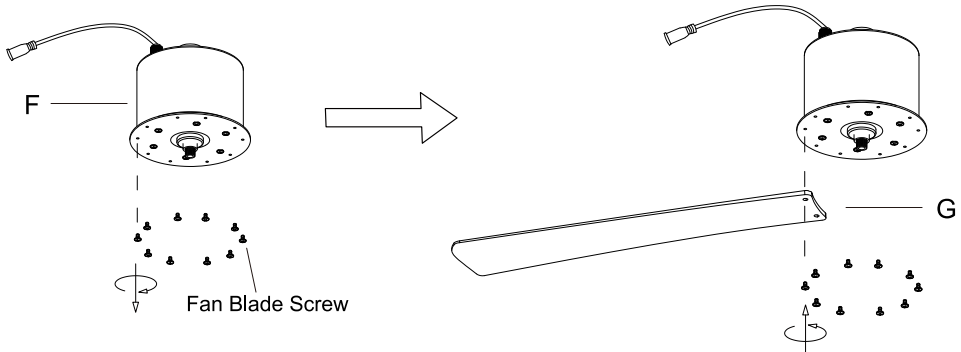
Installation Instructions

1. Assemble the Fan Blade

Step 1. Remove the fan blade screw of the fan motor assembly (F).

Step 2. Align the fan blades (G) with the holes on the fan motor assembly (F), and secure them using the fan blade screws.

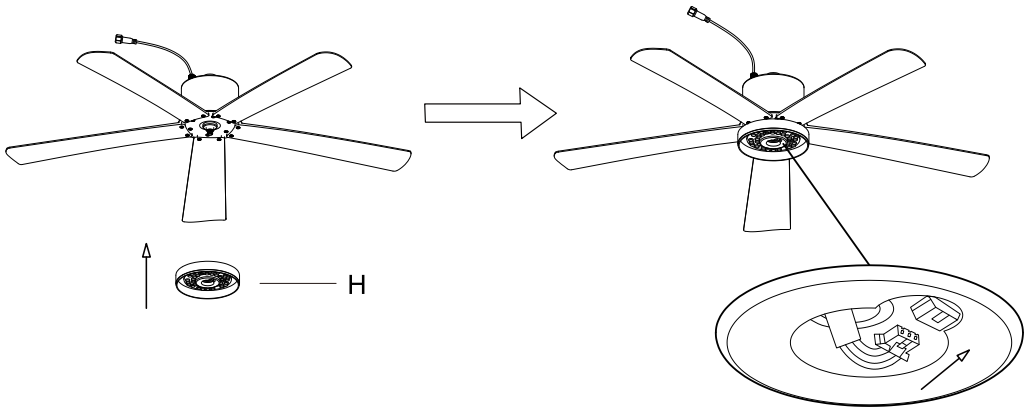
Note: Make sure to assemble the blades in sequence and fasten the screws with equal force.



2. Install the Light Kit

Step 1. Screw the light kit (H) onto the fan motor assembly (F).

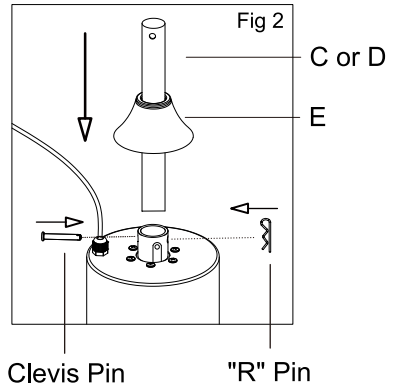
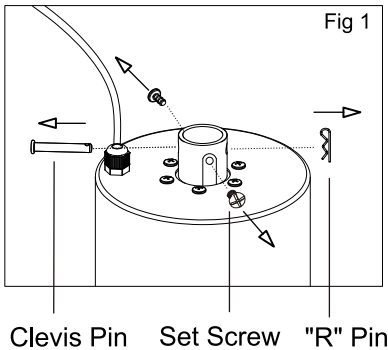
Step 2. Connect the light wire terminal to the interface on the light kit (H).



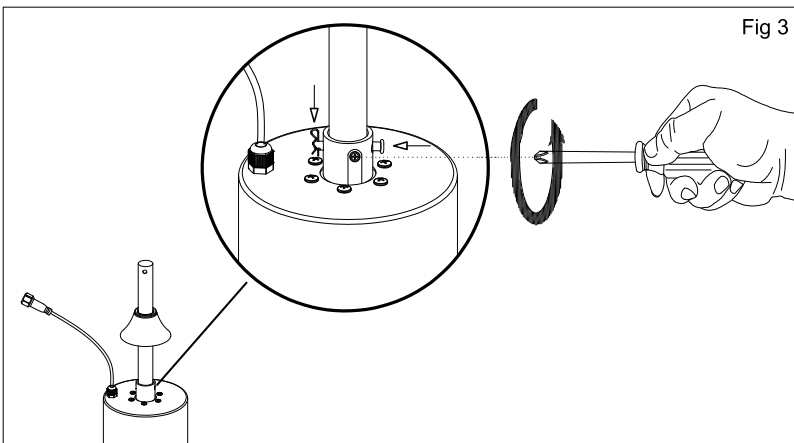
3. Install the Downrod

Step 1. Remove the set screws and "R" pin and clevis pin from the fan motor assembly (F). (Fig 1.)

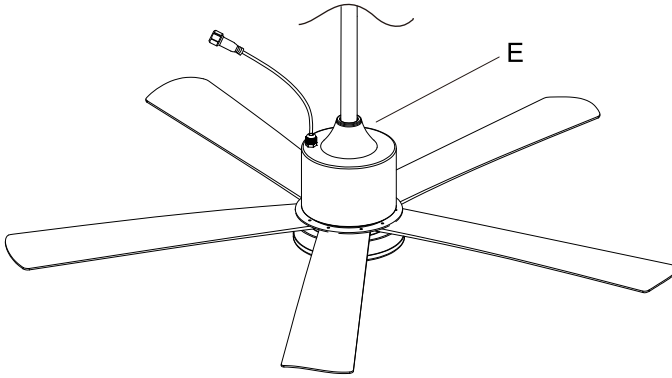
Step 2. Assemble the coupling cover (E) onto the downrod (C or D), align the holes of the downrod with those in the fan motor assembly (F), insert the clevis pin and "R" pin taken off. (Fig 2.)



Step 3. Tighten the set screws to secure the downrod (C or D). (Fig 3.)

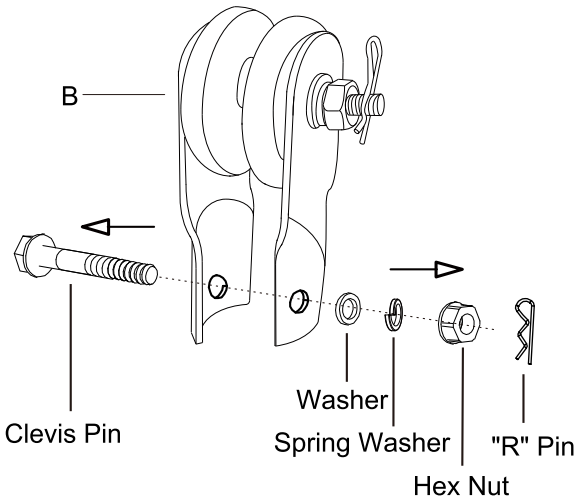


Step 4. Fit the coupling cover (E) onto the fan motor assembly (F).

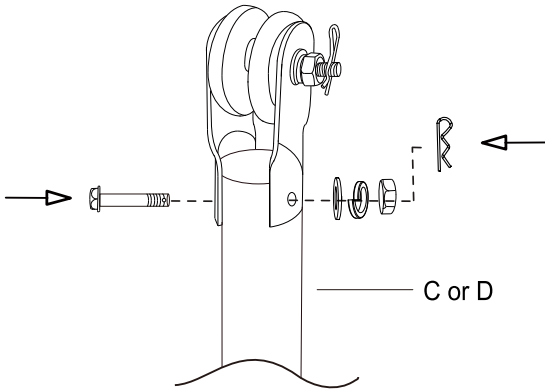


4. Install the Pulley Assembly

Step 1. Remove the clevis pin, washer, spring washer, hex nut and "R" pin from pulley assembly (B).



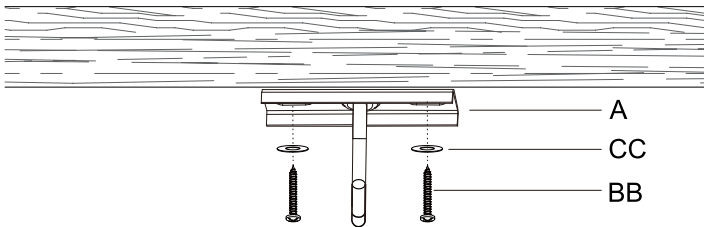
Step 2. Align the holes of the downrod (C or D) with those in the pulley assembly (B). Insert the clevis pin, washer, spring washer, hex nut and "R" pin.



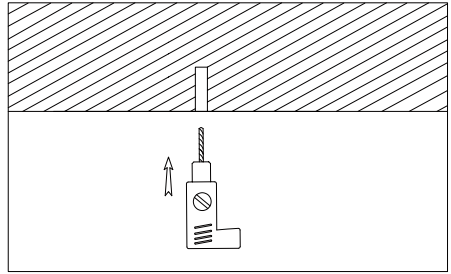
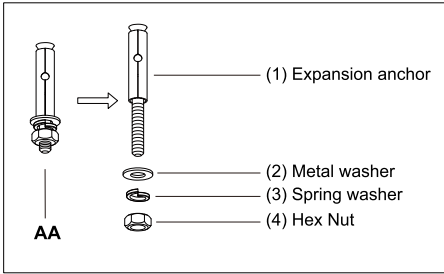
5. Mount the Bracket (2 Options)

Option 1. (For Solid Wood Structure)

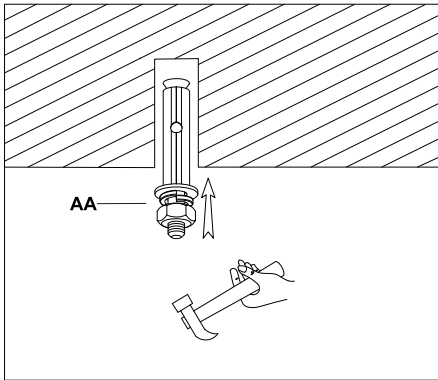
Use wood screws (BB) and washers (CC) to fix the mounting bracket (A) on the solid wood structure.



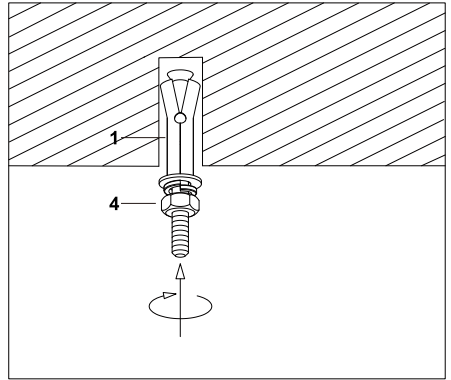
Option 2. (For Concrete Structure)



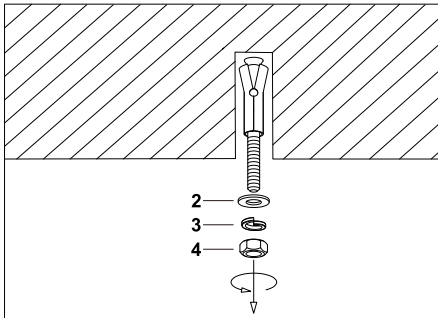
Step 1. Drill the holes.



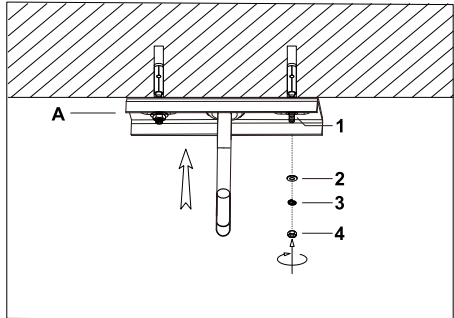
Step 2. Drive (AA) into the hole.



Step 3. Tighten (4) until (1) is secure.



Step 4. Remove (4), (3), and (2).

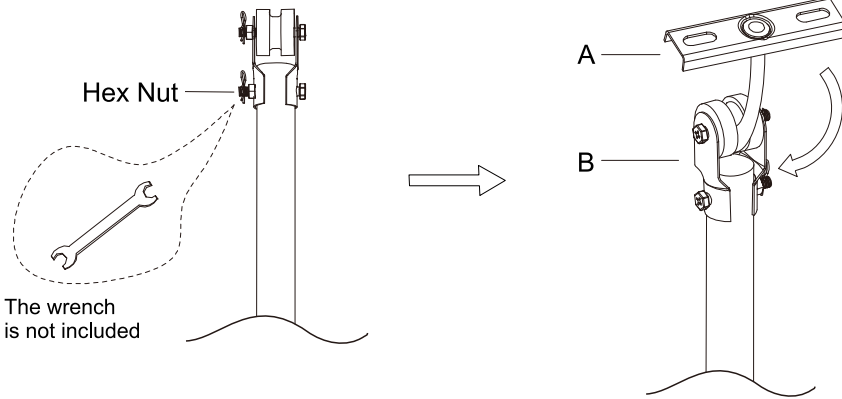


Step 5. Attach (A) onto the (1), fit in (2), (3), and tighten with (4).

6. Hang the Pulley Assembly

Step 1. Tighten the hex nut on the pulley assembly using a hex wrench. (The wrench is not included.)

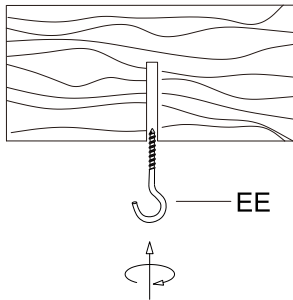
Step 2. Hang the pulley assembly (B) on the mounting bracket (A).



7. Install the Hook for Wire (2 Options)

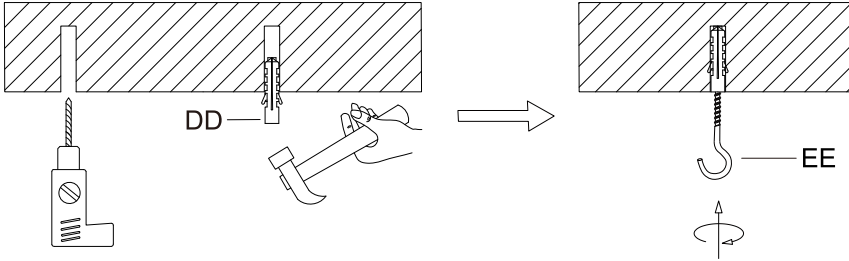
Option 1. (For Solid Wood Structure)

Install the hook (EE) onto the solid wood structure.



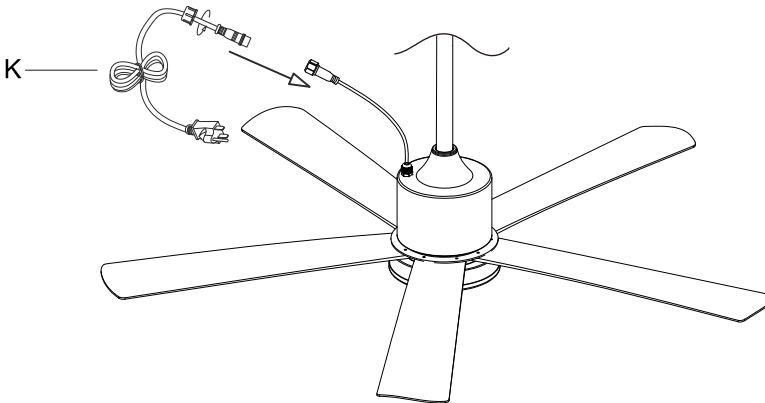
Option 2. (For Concrete Structure)

Mark and drill the anchor holes on the concrete structure, and then insert the plastic anchors (DD). Install the hook (EE) onto the concrete structure.



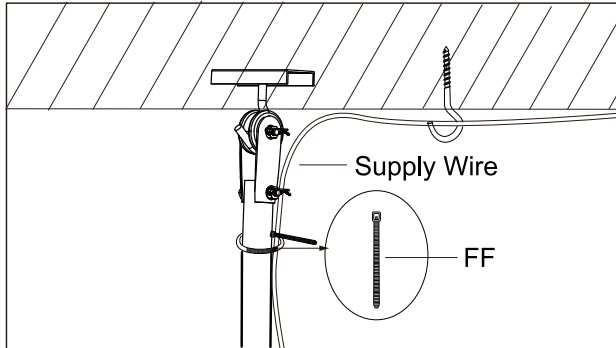
8. Connect the Power Cord

Connect the power cord (K) and tighten the nut to secure the connect.



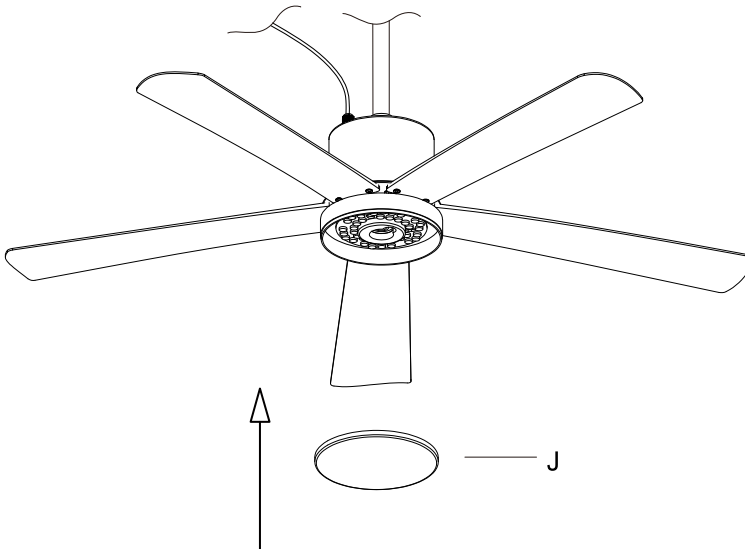
9. Organize the Supply wire

Secure the supply wire with cord tie (FF) and hang the excess supply wire on the hook (EE).

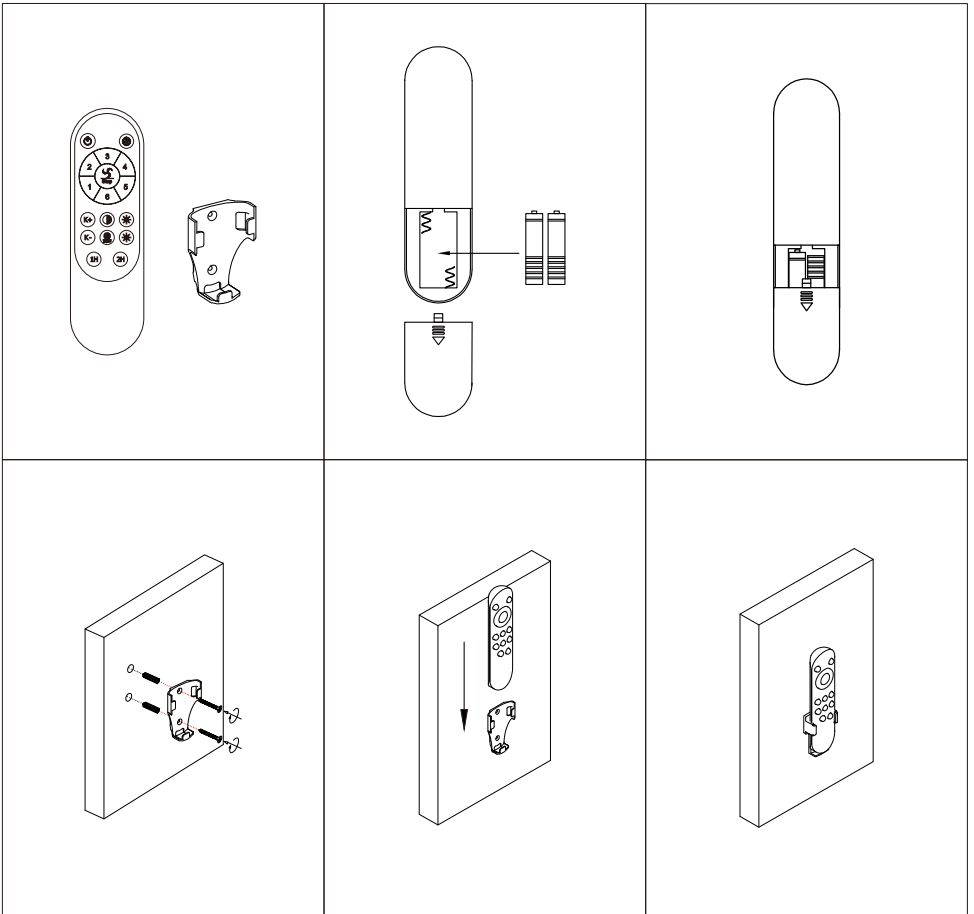


10. Install the Light Shade

Attach the light shade (J) and secure it.



Install the Remote Holder



Step 1. Insert 2 batteries before using : AAA 1.5V battery x 2pcs (not included).

Step 2. Mark and drill screw holes in the wall, then insert the remote plastic anchors.

Step 3. Use remote wood screws to fix the remote holder onto the wall.

Remote Control Instructions

		Turn off fan and light.
		Fan moves forwards or reversely.
		Turn on the fan on Speed 1/2/3/4/5/6.
		Turn off the fan.
		Adjust the light color temperature.
		Quick switch of the light color: Natural Light / White Light / Yellow Light.
		Turn on/off the light.
		Adjust the brightness of the light.
		1H/2H for timing the fan.

REMOTE SIGNAL PAIRING:


















If the remote control loses the signal of the fan, turn off the power from wall switch, then turn it on, press immediately for around 3 seconds, after the fixture beeps or flashes, then it's done.

Note:

Insert 2 batteries before using : AAA 1.5V battery x 2pcs (not included).

APP Control Instructions

Install the app from Google Play, Apple App Store, or searching for the app name. Ensure that your phone is connected to the internet and Bluetooth enabled.

		<p>Pairing: Click the Pair button within 5 seconds after turning on the fan from the wall switch. Once the fan flashes or beeps, it has been successfully paired with your phone and can now be controlled through the app.</p>
		<p>Turn on/off the light.</p>
		<p>Quick switch for "White" light color.</p>
		<p>Quick switch for "Yellow" light color.</p>
		<p>Quick switch for "Natural" light color.</p>
		<p>Night mode: Dim the lights.</p>
		<p>Slide the slider to change the brightness of the light.</p>
		<p>Slide the slider to change the fan speed.</p>
		<p>Fan moves forward.</p>
		<p>Fan moves reverse.</p>
		<p>Change the direction of the wind. (Not supported)</p>
		<p>Timing the fan.</p>
		<p>Natural wind: The fan speed will change automatically when you use this function</p>
		<p>Sleeping wind. (Not supported)</p>
		<p>Turn on/off the fan.</p>
		<p>Unpairing: Click the unpair button within 5 seconds after turning on the fan. Once the fan flashes or beeps, it has been successfully unpaired from your phone.</p>

Trouble Shooting

1. Fan doesn't work

- Check the remote control battery (not included in this package).
- Check the circuit breaker to ensure the power is on.
- Check the connection of the power cord.

2. Lights Do Not Light Up / Flicker / Noisy Operation

- Check the circuit breaker to ensure the power is on.
- Check the connection of the power cord.
- Check the connection of the LED light source.

3. Noisy Operation

- Re-tighten all screws on the bracket, and fan blades (do not over tighten)
- Check to see if the blade is cracked. If so, contact us to replace it

4. Remote does not work

- Make sure the battery is installed correctly.
- Pair the remote control again. (See "Remote Control Instructions")
- Install 2 new batteries.

Clean And Care

To clean, wipe the fixture with a soft cloth. Spraying from chemical cleaners can discolor the finish of the fixture. Do not use scouring pads, powders, steel wool, or abrasive paper to clean this fixture.

Ordering Parts

Keep this manual for future reference, and in case replacement parts are needed. Available parts can be ordered from the place of purchase. Use exact wording from diagrams when ordering parts.