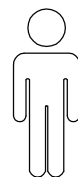
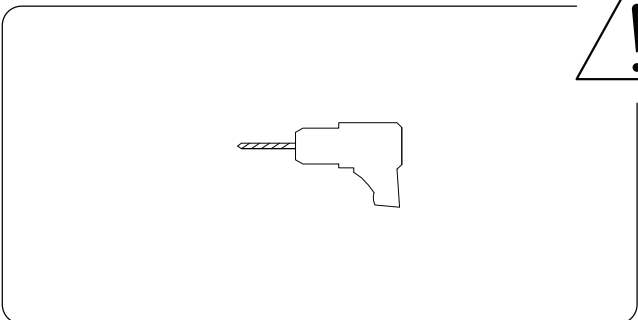
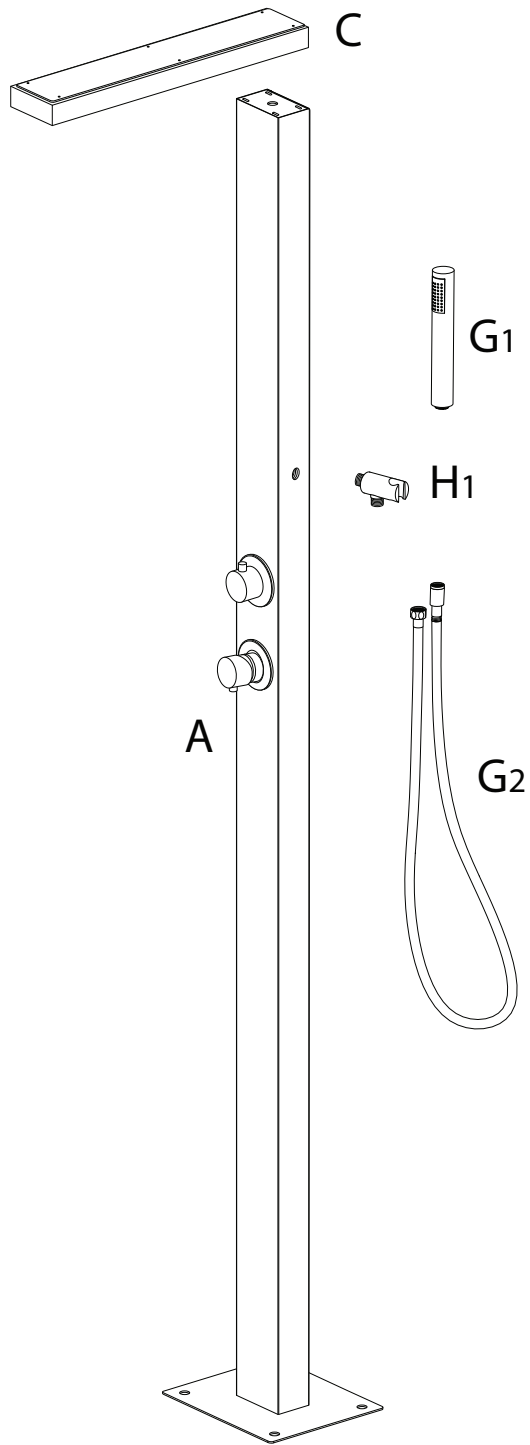

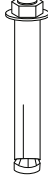
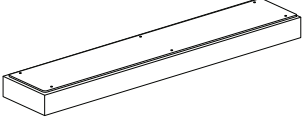


30'

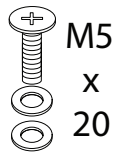


2



<p>A</p>  <p>x 1</p>	<p>B</p>  <p>x 4</p>	<p>C</p>  <p>x 1</p>
---	---	---

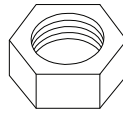
D1



M5
x
20

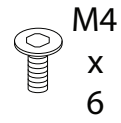
x 4

D2



x 4

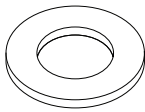
E



M4
x
6

x 12

F



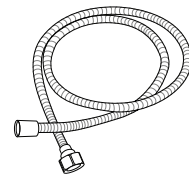
x 2

G1



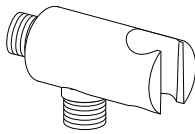
x 1

G2



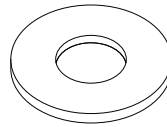
x 1

H1



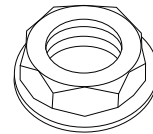
x 1

H2



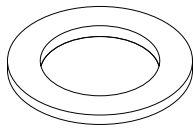
x 1

H3



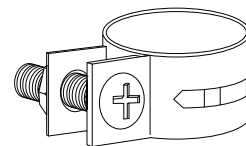
x 1

H4



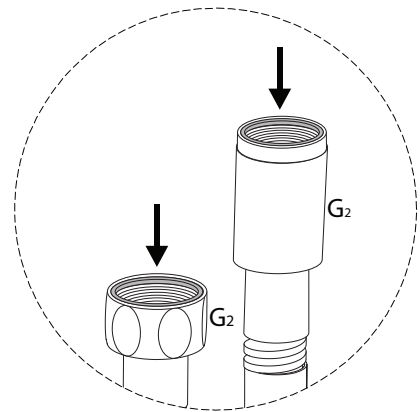
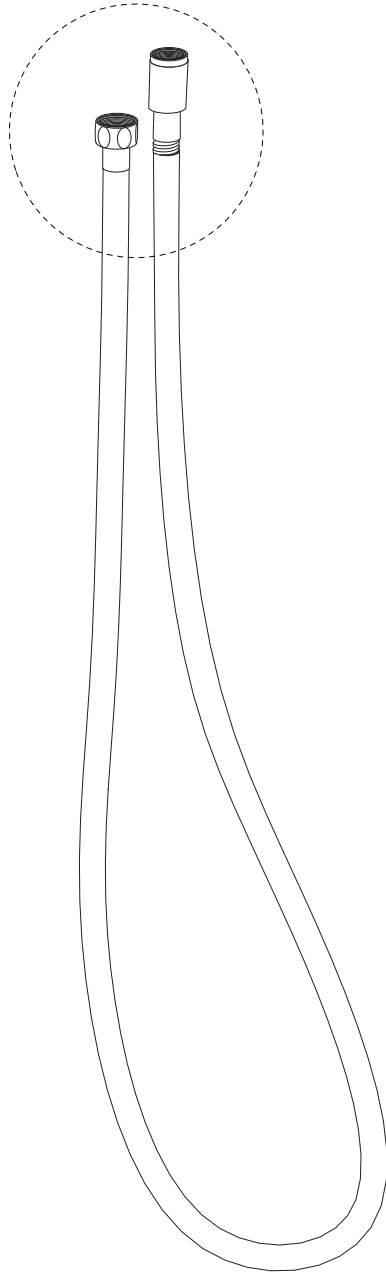
x 1

I

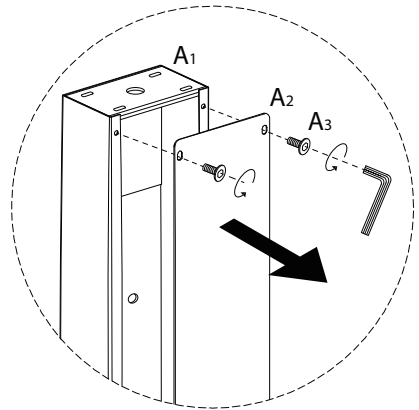
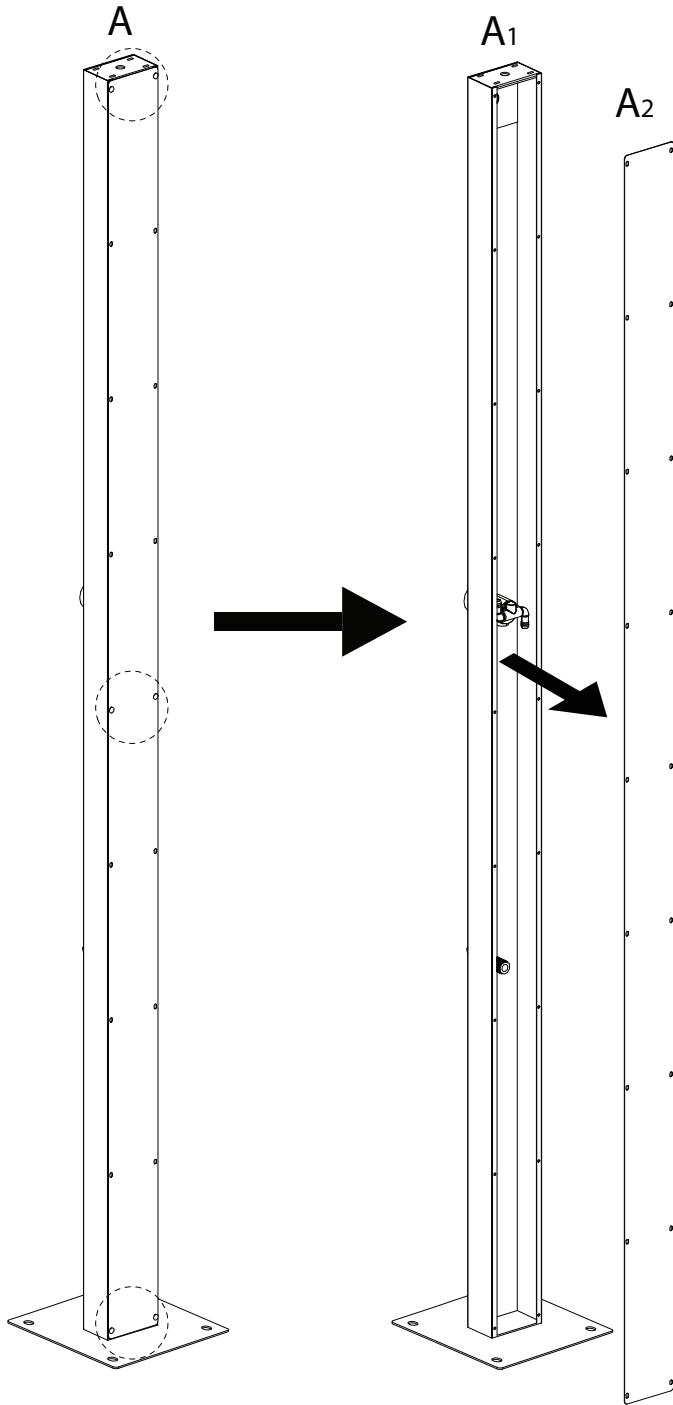
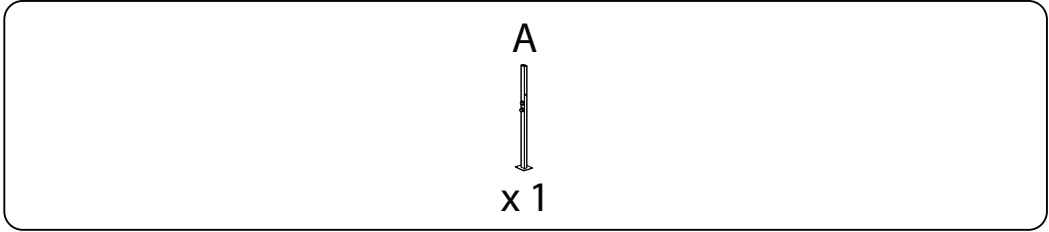


x 1

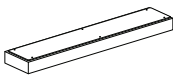

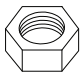
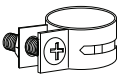
!

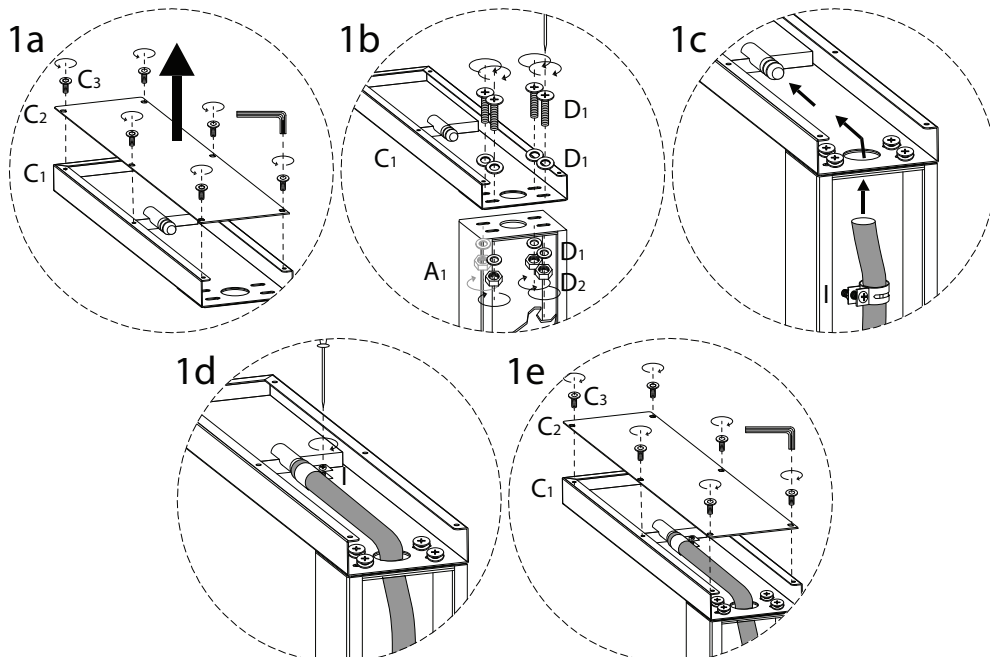
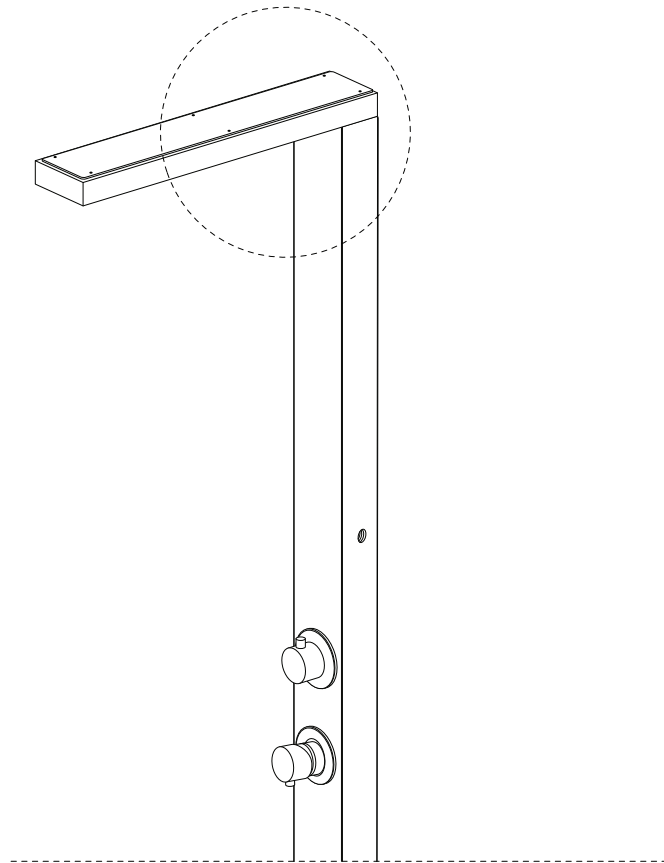


1

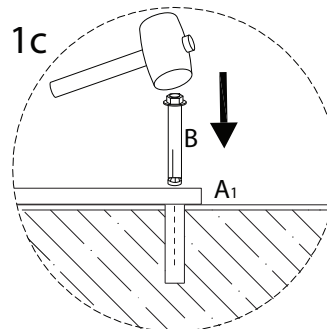
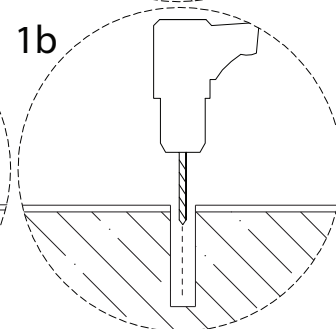
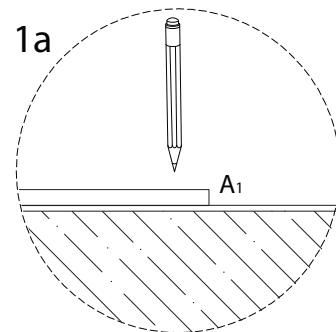
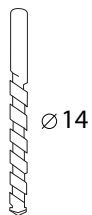
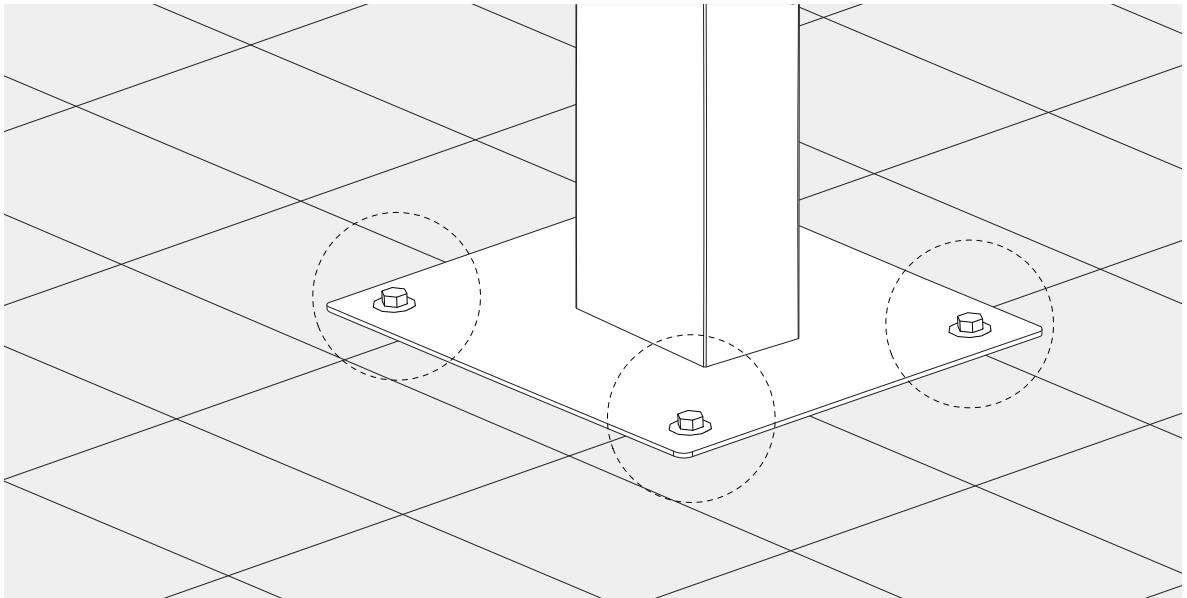
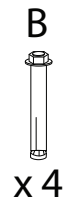


2

<p>C</p>  <p>x 1</p>	<p>D1</p>  <p>M5 x 20</p> <p>x 1</p>	<p>D2</p>  <p>x 1</p>	<p>I</p>  <p>x 1</p>
---	---	---	---

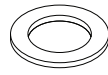


3

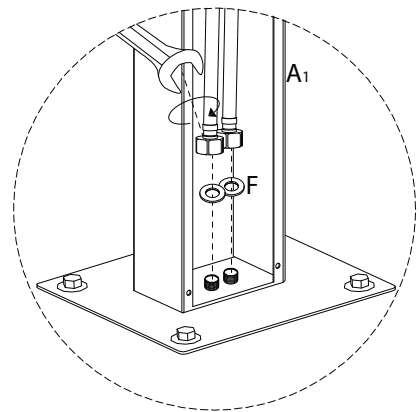
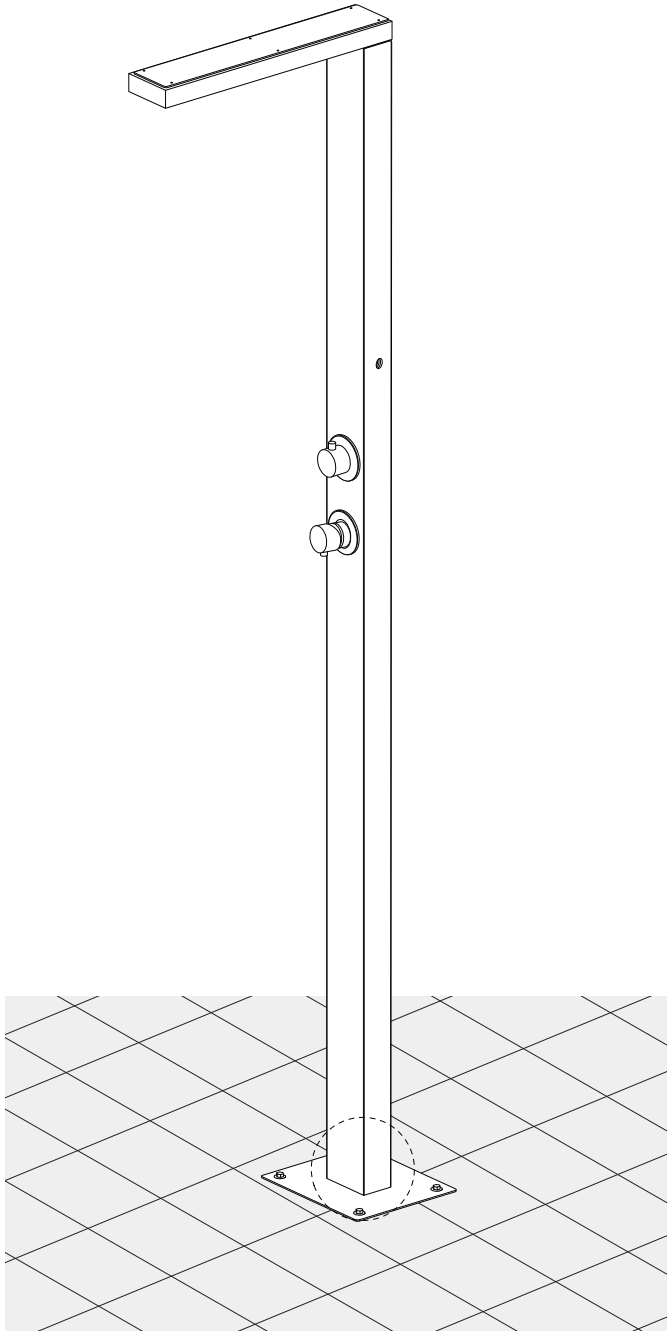


4

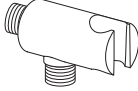
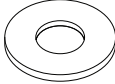

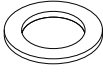
F

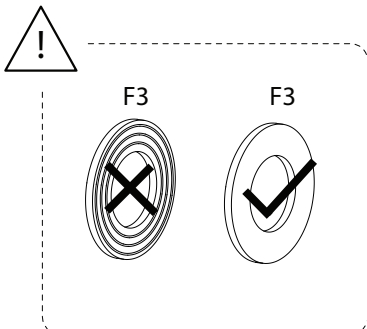
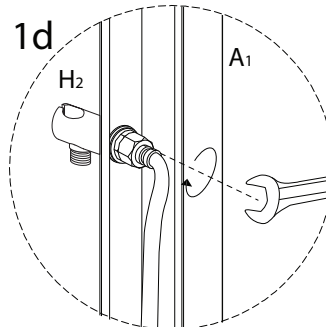
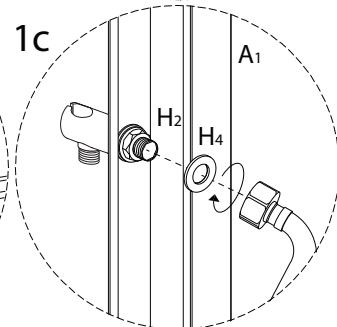
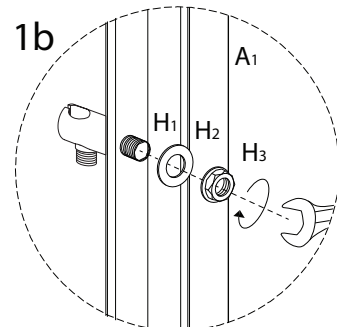
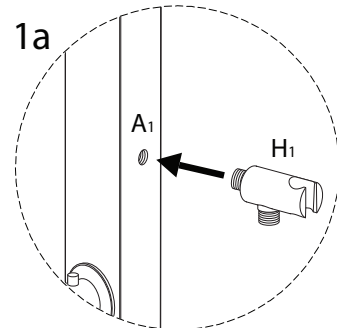
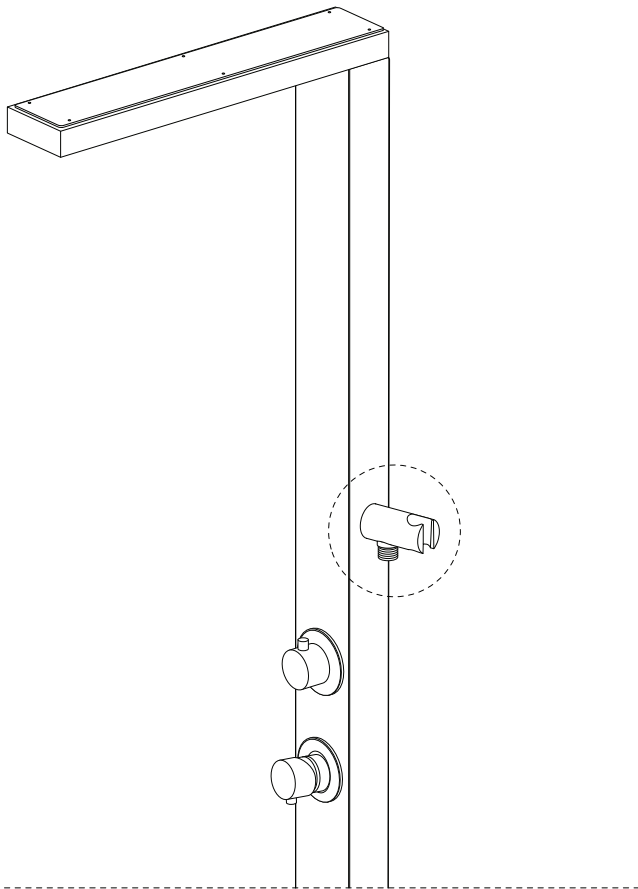


x 2



5

 <p>H1 x 1</p>	 <p>H2 x 1</p>	 <p>H3 x 1</p>	 <p>H4 x 1</p>
---	---	--	---



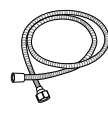
6

G₁

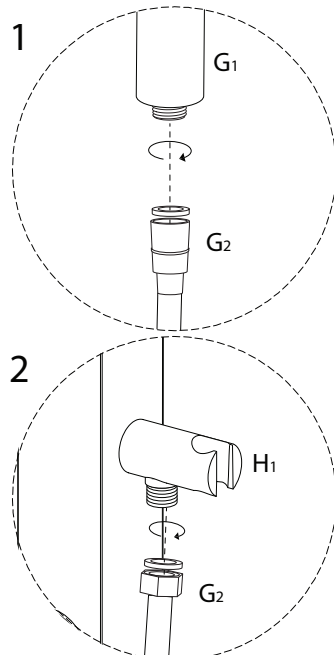
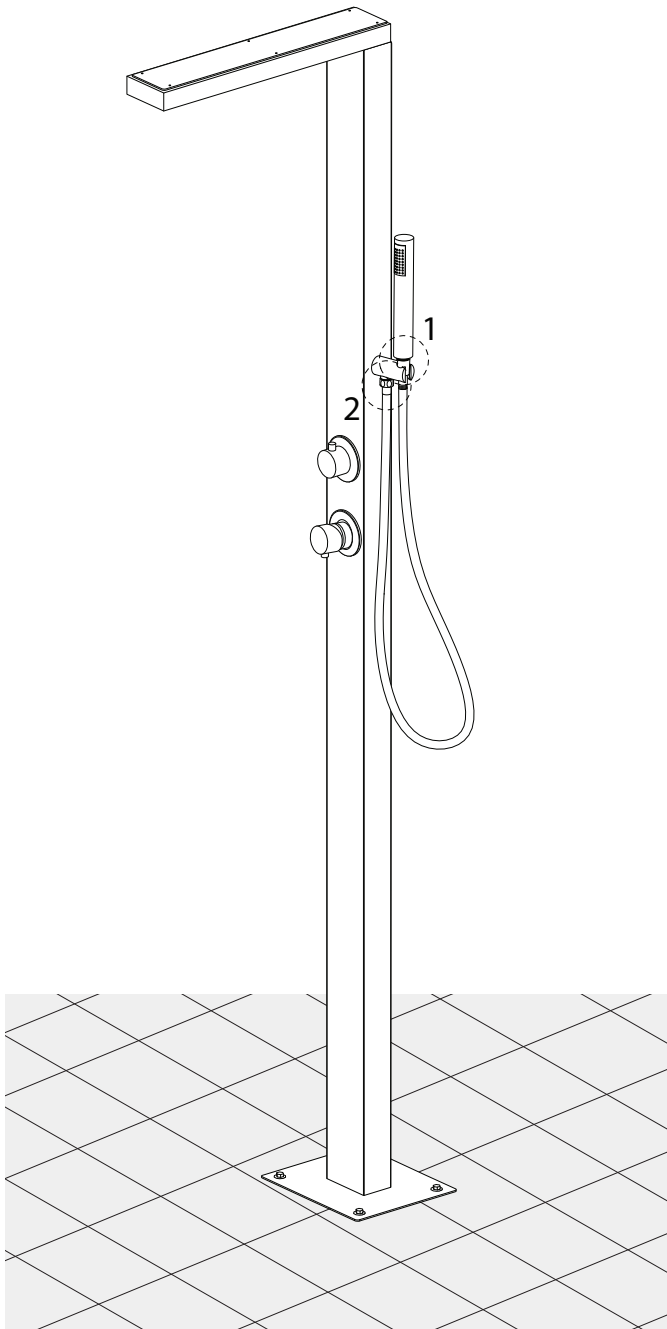


x 1




G₂



x 1



7

<p>A₂</p>  <p>x 1</p>	<p>A₃</p>  <p>x 6</p>	<p>E</p>  <p>M4 x 6</p> <p>x 12</p>
---	---	--

