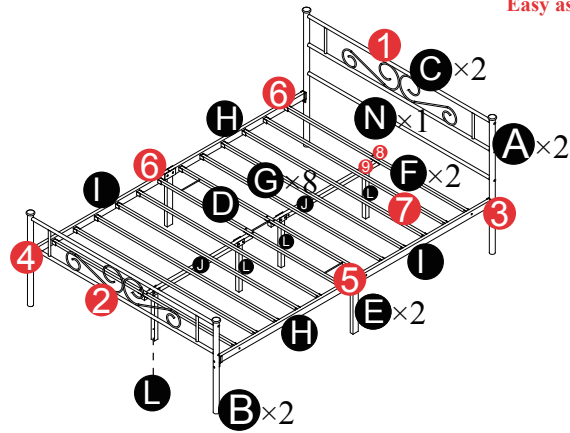
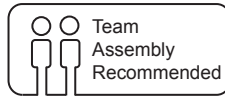


Double Size Bed Frame Installation Manual



#Number System
Easy assembly by following 1,2,3...



Componets

- A x2
- B x2
- C x2
- D x1
- E x2
- F x2 (With Screw Holes)
- G x8 (Without Screw Holes)
- H x2
- I x2
- J x2
- K x4
- L x4
- N x1

Screws & Tools

- 1 M8x45mm x8
- 2 M6x60mm x10
- 3 M6x40mm x20
- 4 M6x30mm x8
- 5 M6x15mm x4
- 6 ∅ x18
- 7 M8 x4
- 8 M6 x20
- 9 M5 x1
- 10 M13/M10 x1

Check all the components & screws before assembly. Do not install in case part is missing, contact us to get. Send email with your question to supporteu@vecelo.com. We will resend within 24 hours.

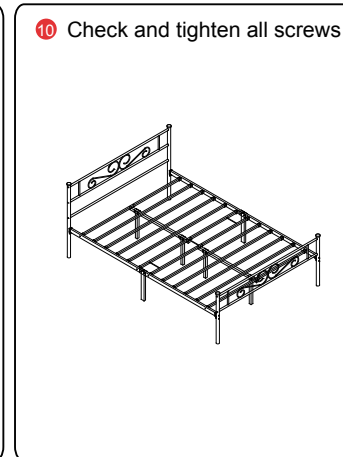
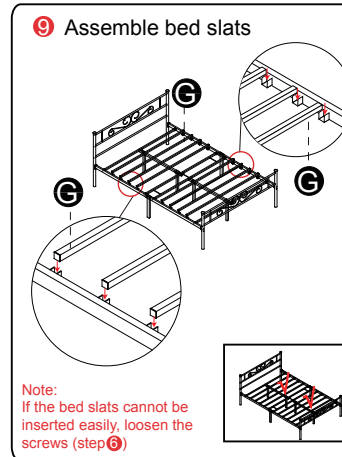
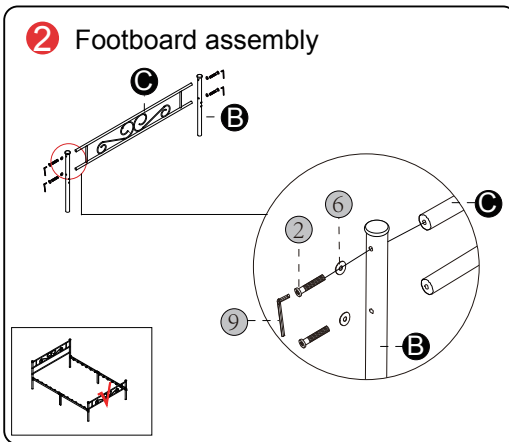
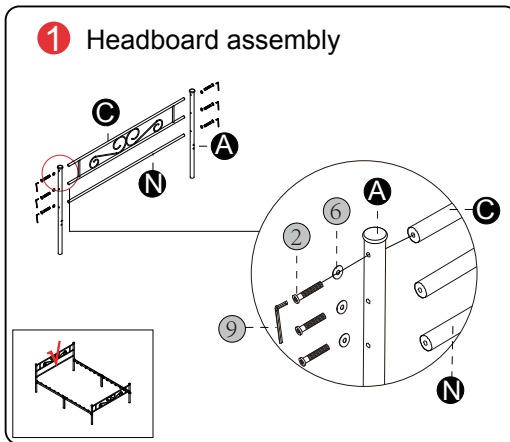
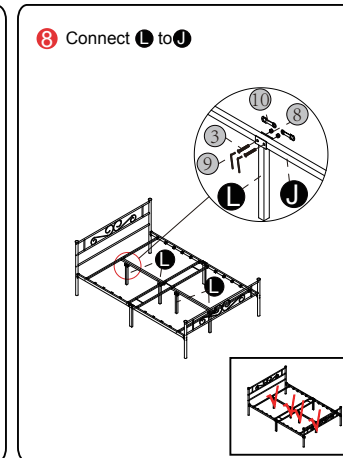
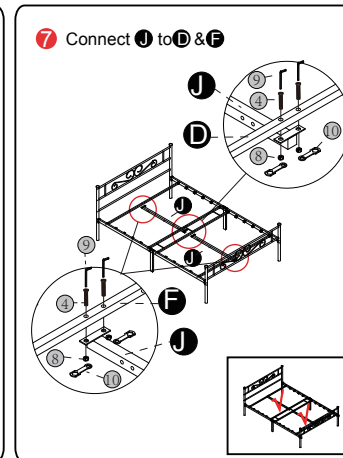
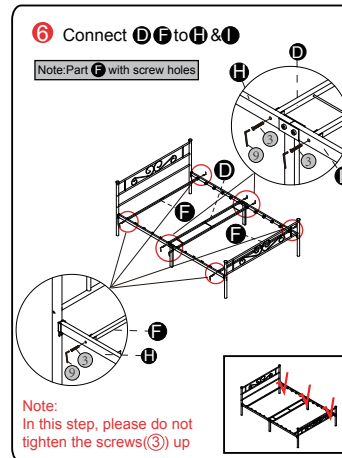
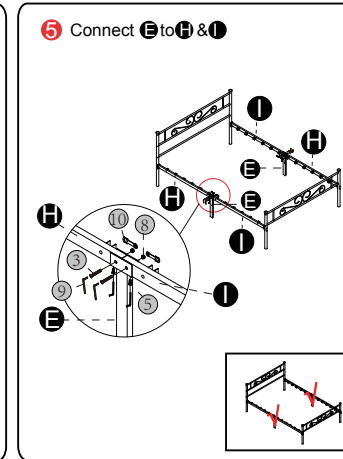
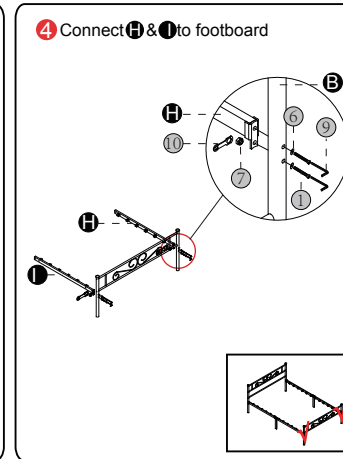
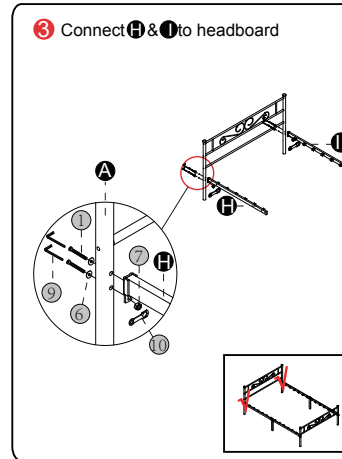
Return Policy

VECELO believes you will absolutely love your metal platform bed. But if for some reason you want to return the item, please contact us directly before you decide to return your product. Our customer service organization can answer most concerns and assist you with any questions you may have about your new item, please email us first at: supporteu@vecelo.com. The item must be returned within 30 days of delivery for a full refund. The item must be returned in good condition, in original box, with all original proofs of purchase, parts and accessories.

Trouble shooting:

Missing parts	Other issues
Send email with your question to supporteu@vecelo.com	Send email with your issue to supporteu@vecelo.com
Resend within 24 hours	Respond within 24 hours
Issue resolved	Issue resolved

We control manufacturing and distribution ourselves, ensure the quality.



We'd Love to Hear from You

VECELO cherishes the voice of every customer. Share your thoughts with us and get a £20 gift card reward.

Step 1: Send your thoughts with order ID to supporteu@vecelo.com

Step 2: Receive our £20 gift card reward right now

CAUTIONS!

- Do not use sharp tools to cut the fabric.
- Do not use the bed as a chair or sofa.
- Do not use the bed as a bed for a child or pet.
- Do not use the bed as a bed for a person with a back problem.
- Do not use the bed as a bed for a person with a heart problem.
- Do not use the bed as a bed for a person with a respiratory problem.
- Do not use the bed as a bed for a person with a circulatory problem.
- Do not use the bed as a bed for a person with a neurological problem.
- Do not use the bed as a bed for a person with a mental health problem.
- Do not use the bed as a bed for a person with a physical disability.
- Do not use the bed as a bed for a person with a chronic condition.
- Do not use the bed as a bed for a person with a long-term condition.
- Do not use the bed as a bed for a person with a life-threatening condition.

How to find us?

Customer Service (24/7)
Email: supporteu@vecelo.com
Website: www.vecelo.com
Facebook page: VECELO