

OWNER'S MANUAL

MASSAGE BATHTUB

FB-001

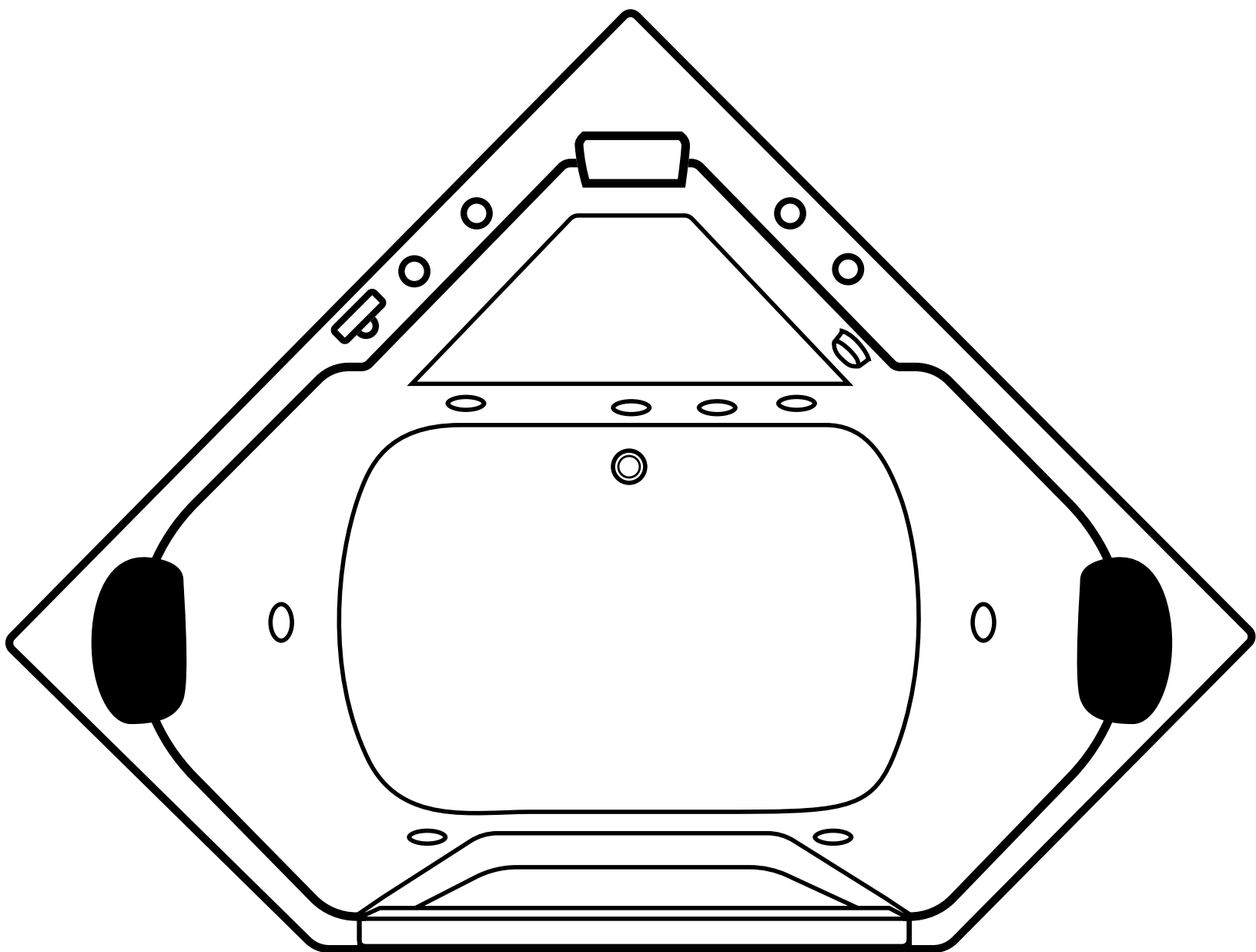


TABLE OF CONTENTS

THANK YOU FOR CHOOSING OUR PRODUCTS	1
IMPORTANT INFORMATION	2
YOUR MASSAGE BATHTUB	4
ACCESSARIES LIST	5
INTRODUCTION TO THE MAIN FUNCTIONS OF MASSAGE BATHTUB	6
PREPARATION BEFORE INSTALLATION	7
INSTALLATION STEPS	9
MAINTENANCE AND CLEANING GUIDELINES	11
TROUBLESHOOTING GUIDE	12
WARRANTY CARD	13

THANK YOU FOR CHOOSING OUR PRODUCTS

We take pride in crafting bathtubs that deliver an exceptional blend of superior performance and elegant design, meeting your needs for years to come.

Before First Use:

Please read this User Guide carefully, paying special attention to the care and cleaning instructions to ensure long-lasting enjoyment.

Important Notes:

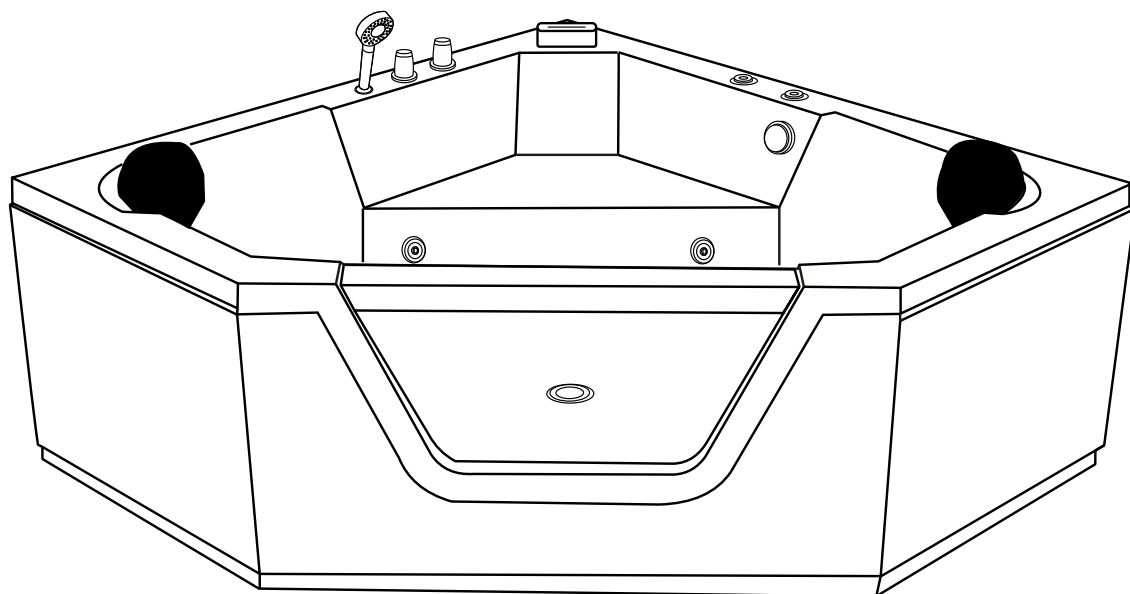
- The information in this manual is based on the latest product details at the time of printing. We are committed to continuous product improvement.
- Product features, packaging, or availability may change without prior notice.

Troubleshooting Guidance:

This manual provides solutions for common issues during bathtub use.

If You Encounter a Problem:

- 1、 Follow the troubleshooting steps outlined here.
- 2、 If the issue persists, contact our After-Sales Support at:
aftersaleshub@hotmail.com.
- 3、 Do not attempt self-repairs—improper handling may cause further damage.













59.06" x 59.06" x 23.23"
(150cm x 150cm x 59cm)


IMPORTANT INFORMATION

INSTRUCTIONS PERTAINING TO A RISK OF FIRE, ELECTRICAL SHOCK, OR INJURY TO PERSONS

READ AND FOLLOW ALL INSTRUCTIONS

SAVE THESE INSTRUCTIONS

-  **Warning** If the power cord is damaged, it must be replaced by a professional to avoid danger.
-  **Warning** The instruments are not intended for use by individuals (including children) with physical, sensory, or mental impairments, or those lacking the experience and knowledge to use them, unless supervised and guided by a person responsible for their safety.
-  **Warning** Children should be taken care of to ensure that they do not play with this equipment.
-  **Warning** Components containing charged components cannot be touched by people in the bathroom.
-  **Warning** The grounding connector must be permanently connected to the fixed wiring.
-  **Warning** Components with electrical components must be properly placed or fixed so that they do not fall into the bathtub.
-  **Warning** There is a risk of personal injury. To avoid personal injury, please be extra careful when entering and leaving the bathtub.
-  **Warning** Drinking alcohol, using drugs or other medications can greatly increase the risk of a fatal high fever. Soaking in hot water for too long may also cause fever.
-  **Warning** Overheating risk. Users who are taking medication or have a medical history should consult a doctor before using the bathtub.
-  **Warning** Risk of fetal injury. Pregnant women or women preparing for pregnancy should consult a doctor before using the bathtub.

 **Warning** Risk of overheating or drowning. Do not use the bathtub immediately after intense exercise.

 **Warning** Please double-check the temperature with your hands before using the bathtub.

Please only use the bathtub for the purposes described in this manual. Do not use accessory products not recommended by the manufacturer.

Do not use any items to block or fill any openings in the bathtub.

Carefully remove the bathtub from the outer box with the wooden frame.

Important reminder: The bathtub must be carried by at least two adults in an inverted position.

To avoid scratching or damaging the bathtub, make sure to place it on cardboard and lay a soft blanket on top of the cardboard.



Notice

Bathtub rated operating voltage, frequency:
~ 110V (volts), 60Hz (hertz)

 **SAFETY REQUIRED: GFCI Protection Needed Before Installation**

This tub **does NOT** have a built-in GFCI plug. **BEFORE** installing:

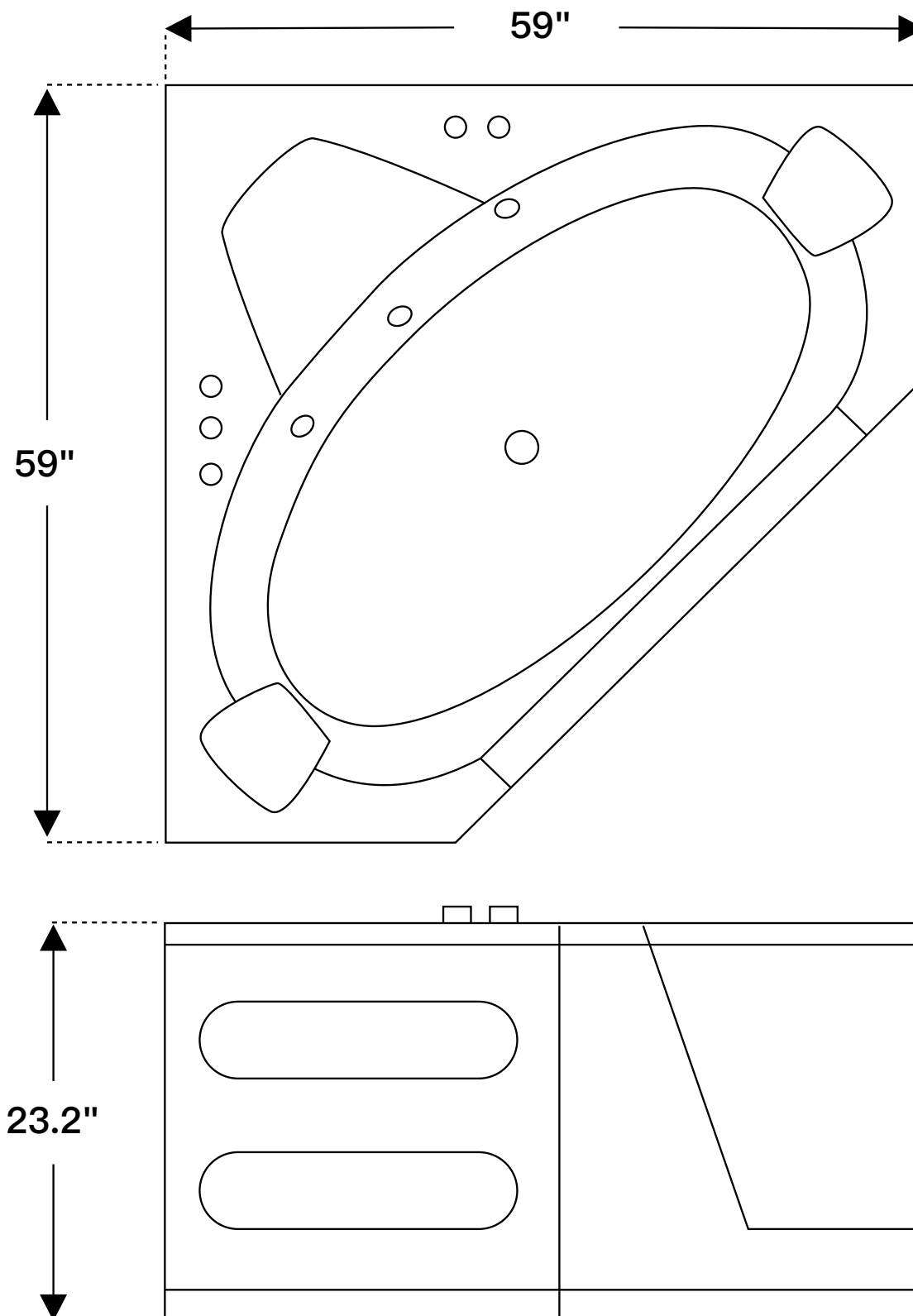
- 1、 **Your home circuit MUST have GFCI protection** (GFCI breaker in panel OR GFCI outlet with “TEST/RESET” in wet areas).
- 2、 **NEVER plug into a standard outlet** — only GFCI-protected power allowed.
- 3、 **Hire a Licensed Electrician** for safe installation.

! Manufacturer is NOT liable for accidents without GFCI protection.

YOUR MASSAGE BATHTUB

Your new Massage Bathtub allows you to enjoy a relaxing, invigorating, and energetic bathing experience

Size Chart: inch



CAUTION!



**TWO PERSON
LIFT REQUIRED**

2 PEOPLE ARE REQUIRED TO LIFT AND
DURING ENTIRE INSTALLATION OF THIS PRODUCT

Carefully remove the bathtub from the outer box with the wooden frame. Important reminder: The bathtub must be carried by at least two adults in an inverted position.

To avoid scratches or damages to the bathtub be sure to set it on cardboard with soft blanket on top of the cardboard.

ACCESSORIES LIST



Notice

After unpacking, please confirm the parts and quantity according to the following contents.

A



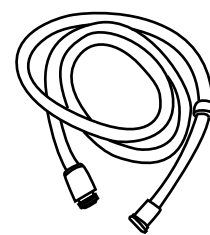
Shower Head

B



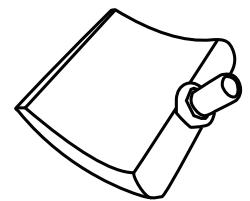
Spray Head Base

C



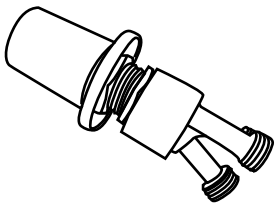
Spray Hose

D



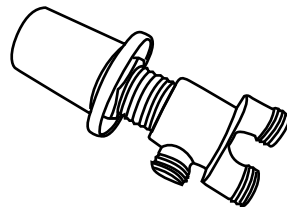
Waterfall Faucet

E



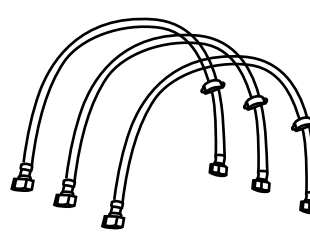
Waterfall Switch

F



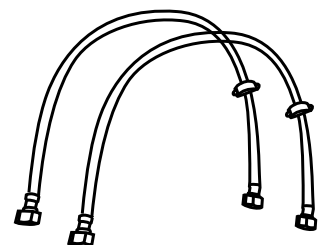
Hot and Cold
Water Switch

G



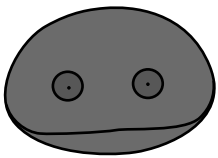
Short Hose *3

H



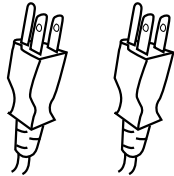
Long Hose *2

I



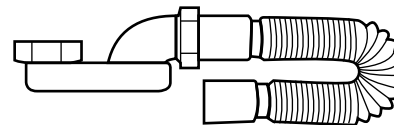
Cushion Pad *2

J



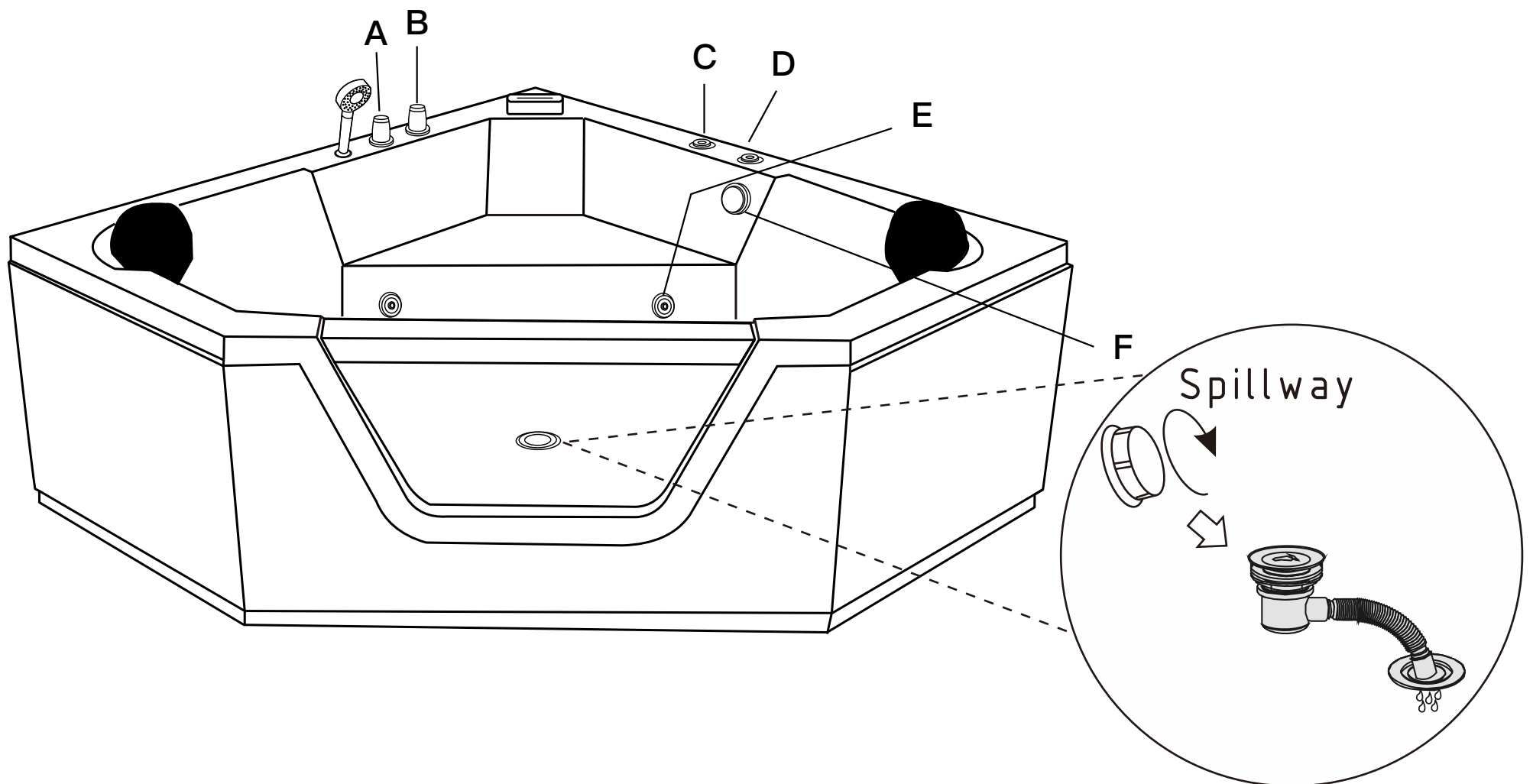
Grounding Pin Plug *2

K



Retractable drain pipe *1

INTRODUCTION TO THE MAIN FUNCTIONS OF MASSAGE BATHTUB



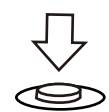
A. Shower head/waterfall faucet conversion: Rotate the left and right to switch between shower head or waterfall faucet water output



B. Hot and Cold Water Switch: Rotate the head of the button clockwise or counterclockwise to adjust water volume hot or cold.



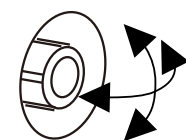
C. Massage nozzle and light control switch: Press the button to control the massage nozzle and light around the bathtub to turn on or off



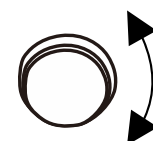
D. Water jet massage nozzle controller: Rotate the controller clockwise or counterclockwise to adjust the water flow rate of the massage nozzle.



E. Water Jets: Adjust the sprinkler head to tilt up, down, left, or right.



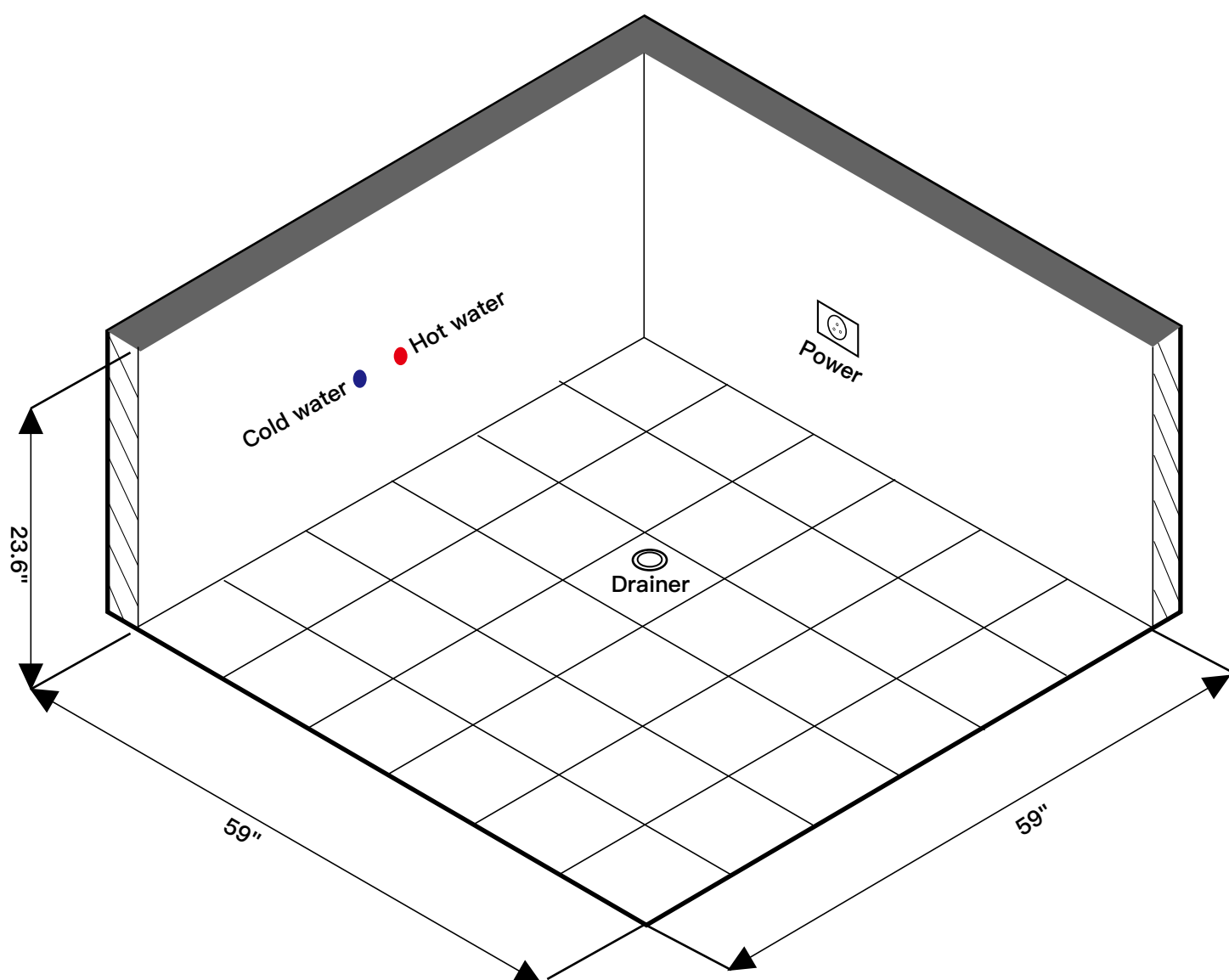
F. Drainage switch: Rotate the cover clockwise to close the drainage. Rotate the cover counterclockwise to open the drainage outlet.



PREPARATION BEFORE INSTALLATION

Confirm the size and installation position of the bathtub.

- ✔ **Confirm the bathtub size and installation location:** Ensure the bathroom has sufficient space to accommodate the selected massage bathtub, with enough room for movement around the unit.
- ✔ **Choose the right location:** The massage bathtub should be installed on a solid, flat surface, away from direct sunlight or high-traffic areas.
- ✔ **Reserved drainage outlet:** Based on the position of the bathtub's drainage outlet, reserve the corresponding drainage outlet on the bathroom floor.



Notice

The safe distance between the power supply and the water supply must be no less than 11.8 inch .

✔ Ensure the bathroom water pipes are unobstructed and leak-free, and check that supporting facilities, such as faucets and showers, are intact and fully functional.

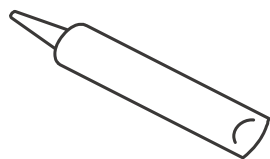
✔ Check whether the bathroom wires are aging or damaged, ensure that the wires meet safety standards, and reserve enough sockets for the massage bathtub.

✔ Check other bathroom facilities: Ensure that exhaust fans, lighting, and other fixtures are functioning properly.

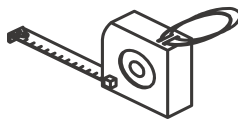
TOOLS REQUIRED FOR INSTALLATION (NOT INCLUDED)



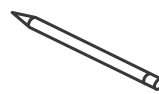
Solt Cloth
or Blanket



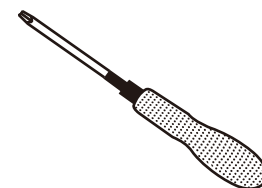
Waterproof
Silicone



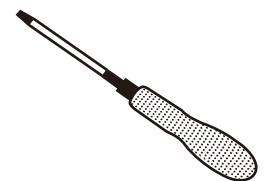
Tape
Measure



Pencil/Marker



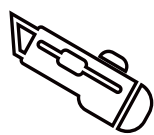
Slotted head
screw driver



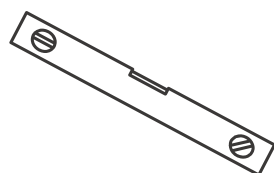
Cross head
screw driver



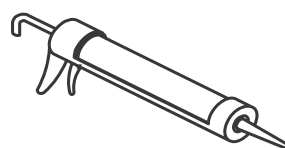
Safety
Glass



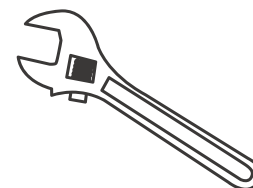
Knife



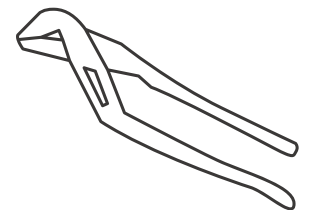
Level



Caulk Gun



Adjustable
Wrench

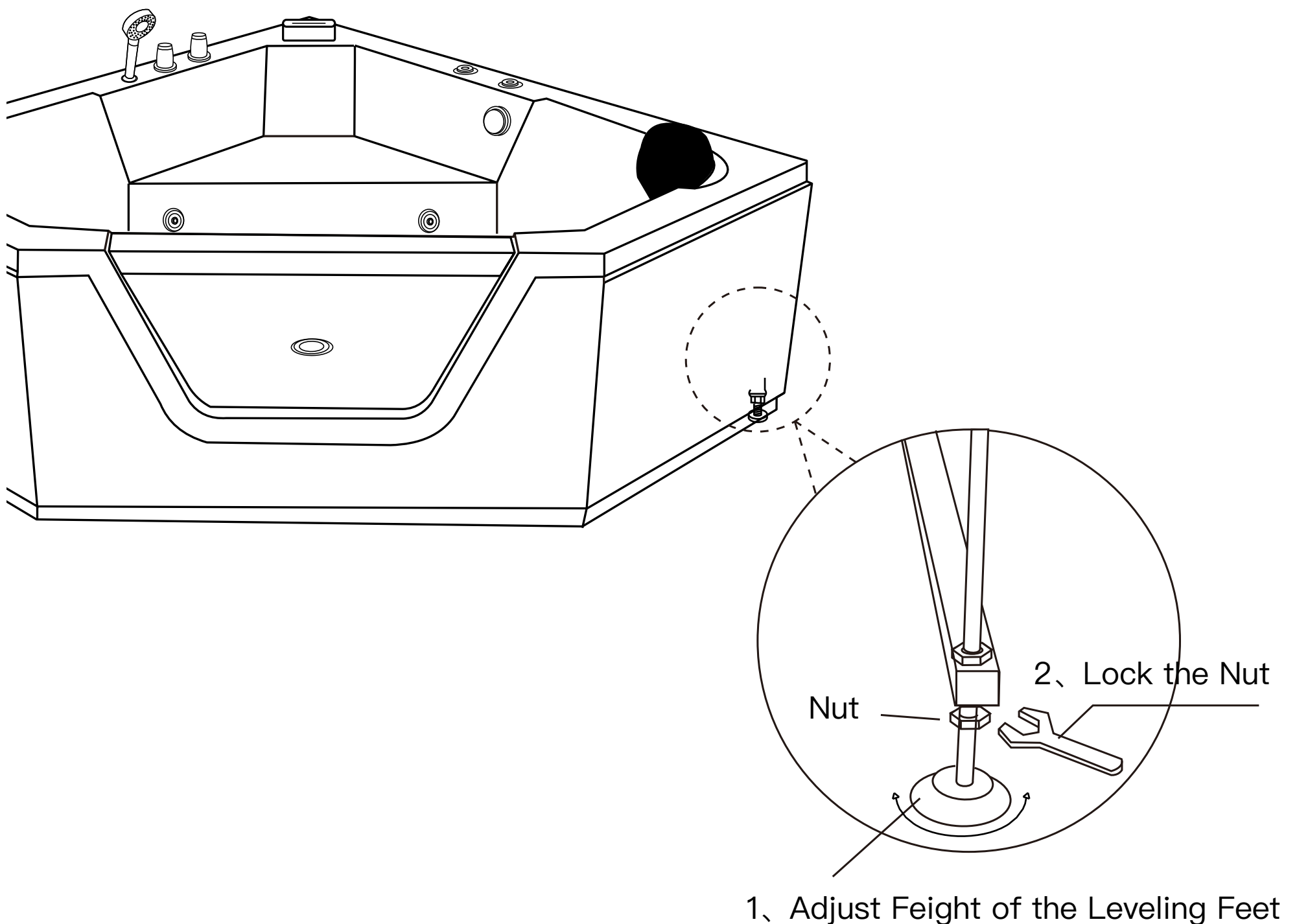


Channel
Lock Pliers

INSTALLATION STEPS

Step 1: Assemble the massage bathtub body.

1. Unbox all components of the massage bathtub and inspect them to ensure they are intact.
2. Assemble the main body of the bathtub, ensuring the fastening bolts and connections are properly sealed.
3. Ensure the main body of the massage bathtub is positioned evenly, and adjust the foot pads to keep it level.



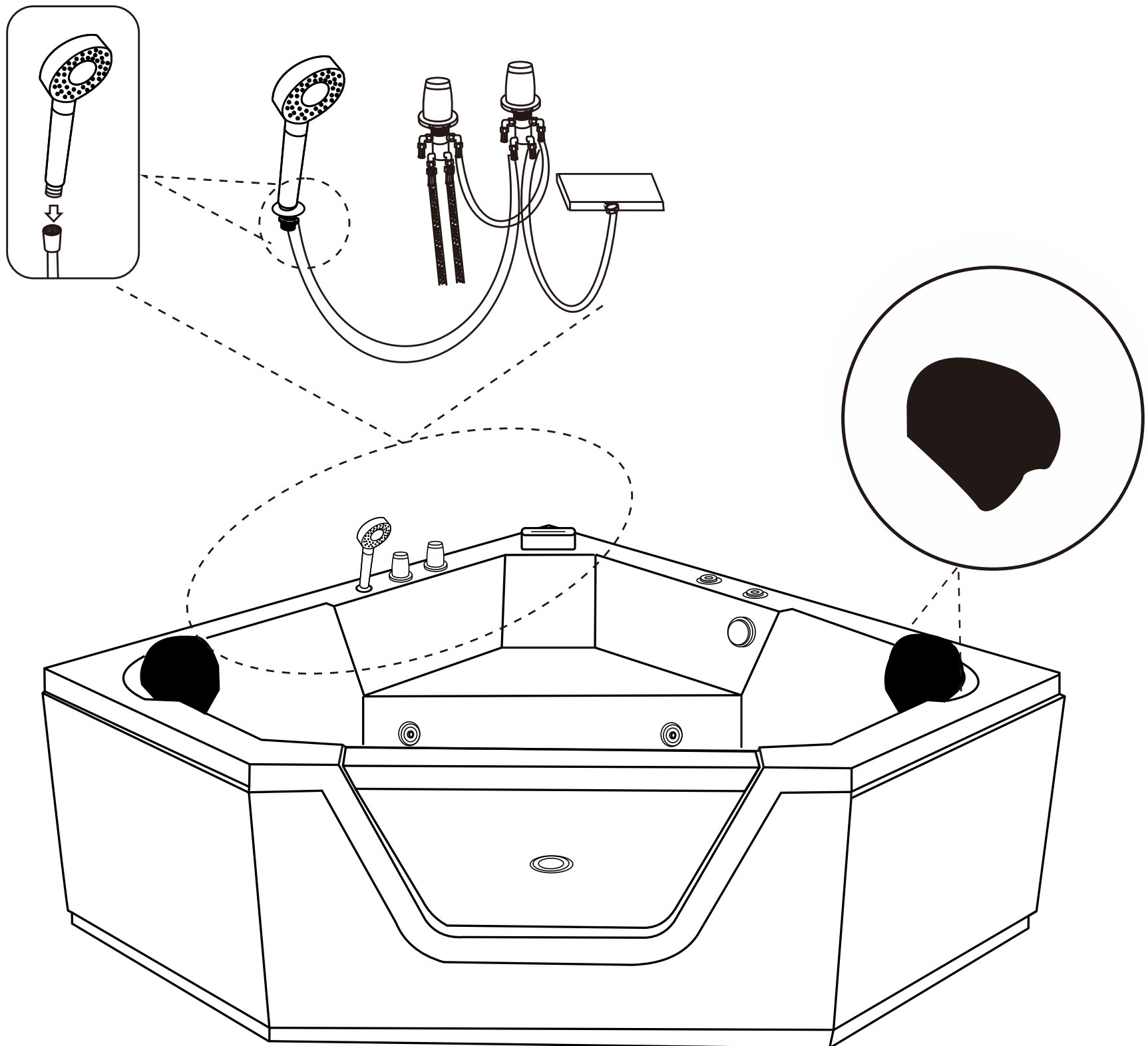
Notice

If the bathtub is not level, it may result in the following issues:

- Increased noise levels
- Water remaining in the hoses or drainage
- Shaking of the bathtub

Step 2: Connect the water pipe to the drainage system.

1. Install the water pipes and drainage pipes at the correct height, based on the inlet and outlet positions of the massage bathtub.
2. Use a dedicated hose to connect the water inlet of the massage bathtub to the cold and hot water pipes, ensuring a tight, leak-free connection.
3. Connect the drainage outlet of the massage bathtub to the drainage pipe, ensuring smooth drainage.



Notice

- The red hose indicates the hot water supply; the blue hose indicates the cold water supply.
- The drain pipe should be installed with a slope of at least 1:50.
- When moving the bathtub, do not grip the drain pipe or the cold/hot water hoses, and avoid impact with hard objects.

Step 3: Debugging and optimization

1. Plug the power cord of the massage bathtub into a properly grounded power outlet.
2. Follow the manual's instructions to test all functions. Check the water flow, massage nozzle, heating system, and ensure there are no abnormal sounds or leaks.



Notice

- The bathtub must be connected to the ground.
- Power outlet must be sealed well.
- Make sure the surface of each wire is intact.

MAINTENANCE AND CLEANING GUIDELINES

Anti-freezing: Take necessary preventive measures to prevent freezing. In winter, empty the water in the bathtub and pipes. Frozen pipes can break and cause damage.

Water Quality: Use only standard tap water. Well water may cause corrosion and potential leakage.

UV Protection: Keep the bathtub away from ultraviolet rays and strong light, exposure will accelerate aging and damage.

Heat Sources: Keep a safe distance from heat sources such as cigarette butts and hair dryers to prevent high temperature deformation.

Storage Conditions: When not in use, keep the bathtub ventilated and dry. Avoid contact with corrosive substances and ensure there is no electricity or water.

Prevent Damage: Do not drop or hit hard objects, as this may crack or scratch the surface and cause leakage.

GFCI Test: Regularly test the ground fault circuit breaker (GFCI), preferably before each use.

Cleaning Instructions: Clean the product with water or mild detergent. Avoid using acids, alkalis, organic solvents, or acidic and alkaline cleaners as they can damage the surface. If stains persist, use a clean cloth lightly dipped in alcohol.

Maintenance of electroplated parts: Clean the electroplated parts with cotton cloth.

Repair effect: First, soak 1200–grain waterproof sandpaper in water for coarse sand, then use 2000–grain waterproof sandpaper for fine sand, repair slight scratches and dull areas, and finally polish with a soft cloth and polish appropriately.

TROUBLESHOOTING GUIDE

Symptoms	Probable Causes	Recommended Action
The bathtub has no electricity	A. The circuit breaker tripped. B. The power supply is not connected.	A. Check the circuit breaker. B. Check the power connection inside the junction box.
The bathtub cannot fill with water	A. Water supply is shut down or interrupted. B. Abnormal installation of mixing valve. C. Damaged mixing valve.	A. Check and restore water supply. B. Check and reinstall the mixing valve. C. Replace the mixing valve.
The lights are not working	A. Poor connection. B. The light has no electricity. C. Light damage.	A. Check the wiring of the lamp. B. If the light power supply has output, replace the light.
Water jet massage spray not working	A. Poor connection. B. The water pump is not working. C. The outlet is blocked. D. Pipeline damage and leakage.	A. Check the wiring of the water pump. B. Check if the nozzle is unobstructed C. Check if the pipeline is intact

ONE-YEAR INTERNATIONAL WARRANTY CARD

Dear Valued Customer,

Thank you for choosing our MASSAGE BATHTUB. To ensure we provide you with the best possible service, we kindly ask that you carefully read, complete, and retain this warranty card after your purchase.

Product name		Specifications	
Warranty date		Order number	
Username		Contact	
Purchase date		Contact number	
User address			
Maintenance records	Date	Cause of failure and handling	



aftersaleshub@hotmail.com

MESSAGE BATHTUB