

# ASSEMBLY INSTRUCTIONS

## Kit Contents :-

A Allen bolt - 8 Pcs  
 B Spring washer - 8 Pcs  
 C Flat washer - 8 Pcs  
 D Allenkey - 1 Pcs



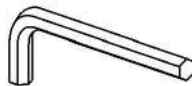
6 x 20 MM



2 x 12 MM

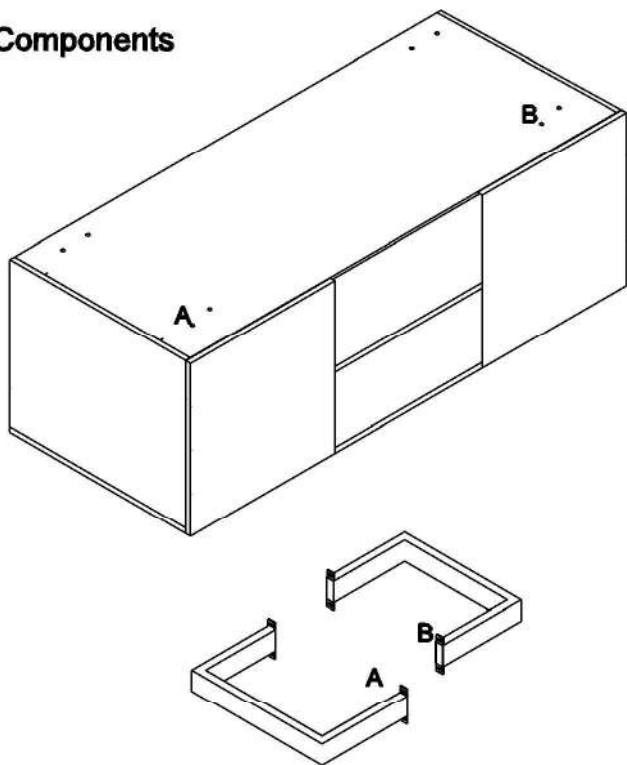


2 x 18 MM

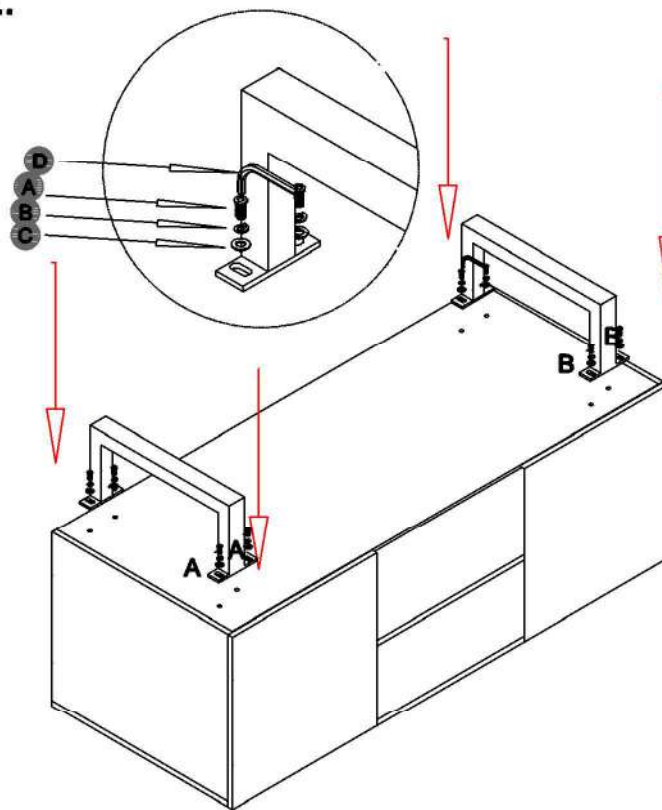


Ref	Description	Qty
<span style="border: 1px solid black; border-radius: 50%; padding: 2px;">1</span>	Table Top	1
<span style="border: 1px solid black; border-radius: 50%; padding: 2px;">2</span>	Leg Frame	2

### 1. Components

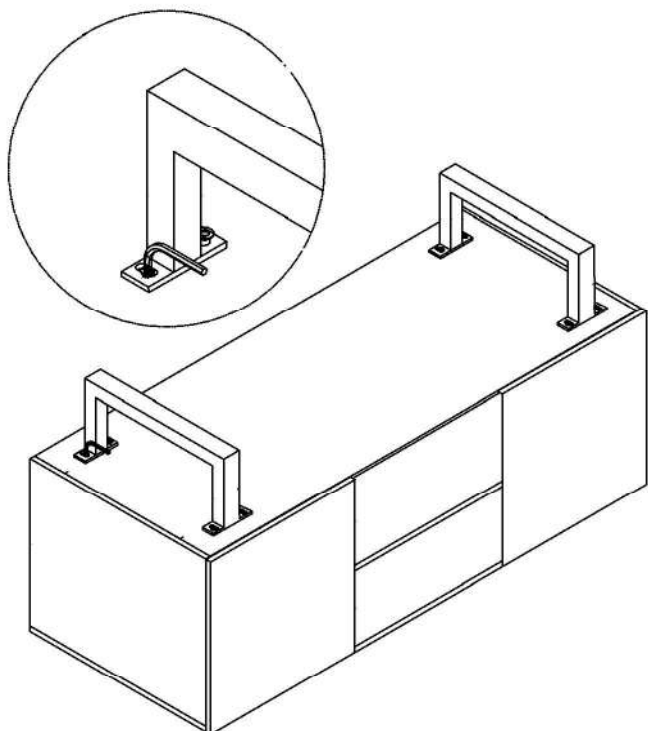


### 2.

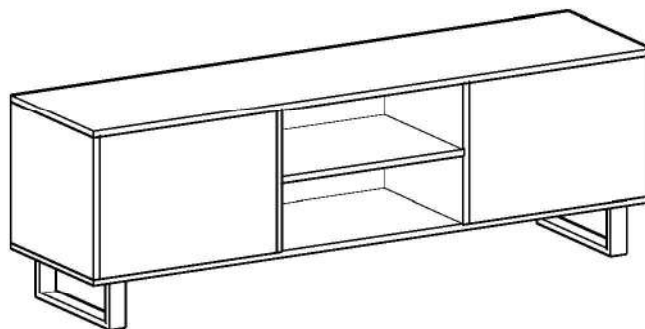


**NOTE :** Place TV Cabinet top on a clean, dry surface to prevent damage to top

### 3.



### 4.



**Your TV Cabinet is Now Ready to Use**