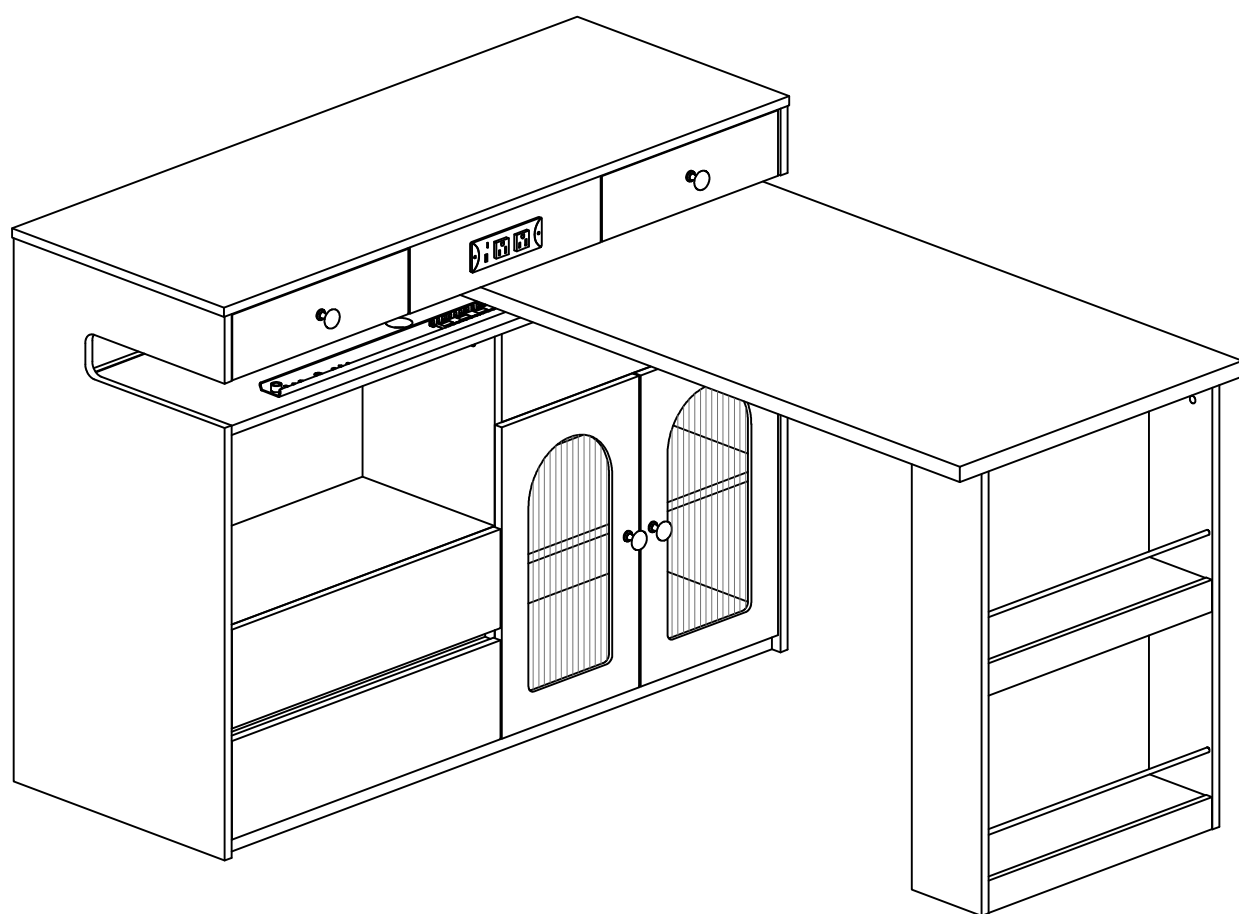
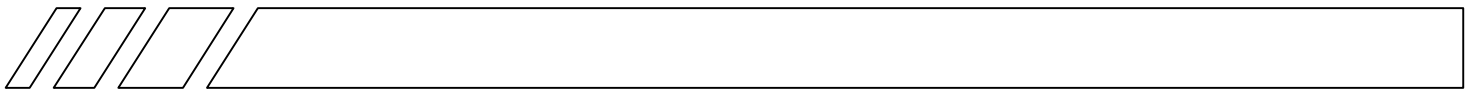
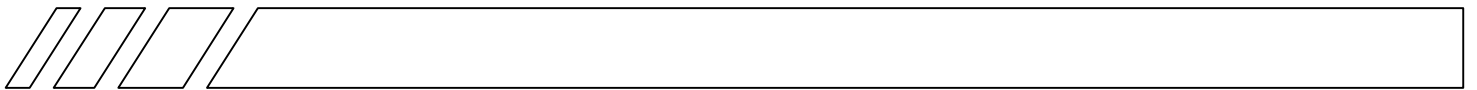


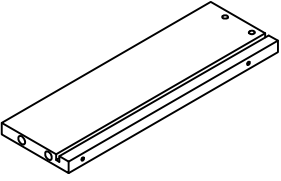
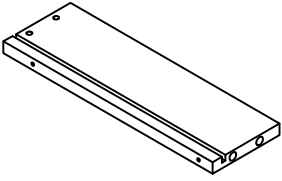
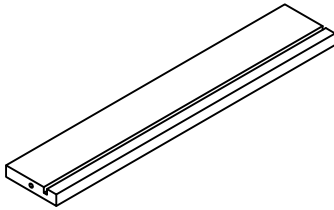
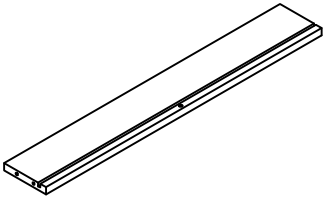
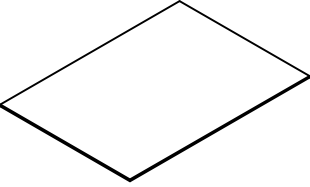
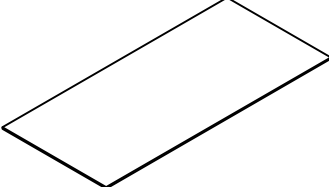
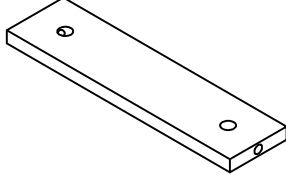
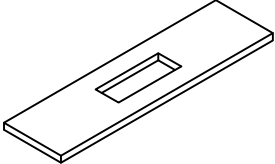
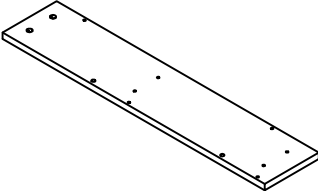
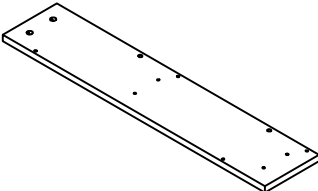
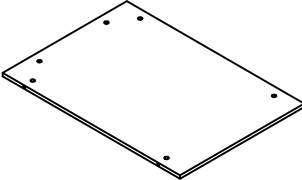
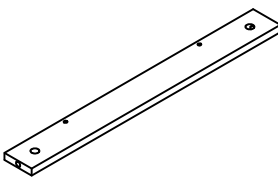
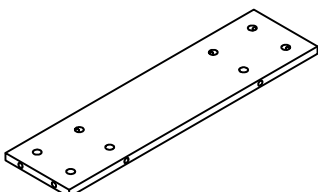
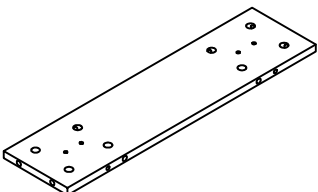
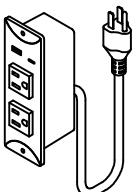
BS-02B/BS-02W#

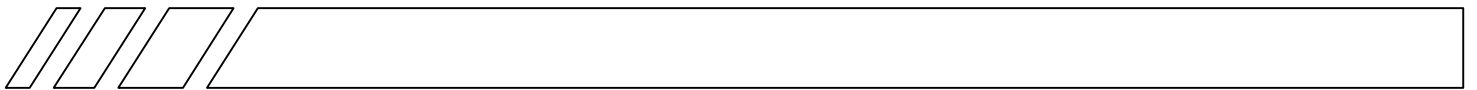



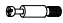


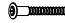

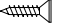
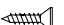













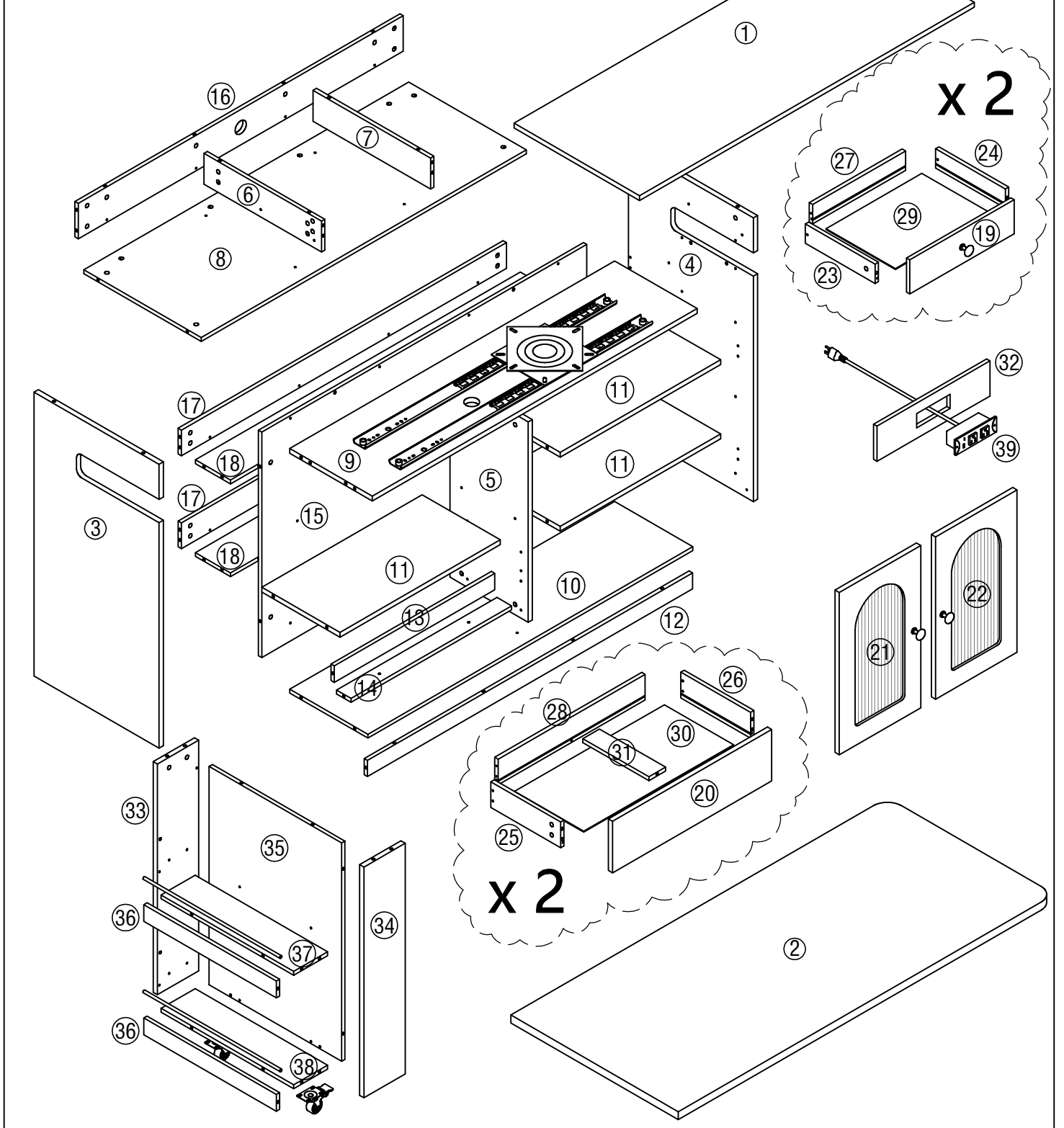
| | | | |
|--------------------|--------------------|--------------------|--------------------|
| <p>①</p> <p>X1</p> | <p>②</p> <p>X1</p> | <p>③</p> <p>X1</p> | <p>④</p> <p>X1</p> |
| <p>⑤</p> <p>X1</p> | <p>⑥</p> <p>X1</p> | <p>⑦</p> <p>X1</p> | <p>⑧</p> <p>X1</p> |
| <p>⑨</p> <p>X1</p> | <p>⑩</p> <p>X1</p> | <p>⑪</p> <p>X3</p> | <p>⑫</p> <p>X1</p> |
| <p>⑬</p> <p>X1</p> | <p>⑭</p> <p>X1</p> | <p>⑮</p> <p>X1</p> | <p>⑯</p> <p>X1</p> |
| <p>⑰</p> <p>X2</p> | <p>⑱</p> <p>X2</p> | <p>⑲</p> <p>X2</p> | <p>⑳</p> <p>X2</p> |
| <p>㉑</p> <p>X1</p> | <p>㉒</p> <p>X1</p> | <p>㉓</p> <p>X2</p> | <p>㉔</p> <p>X2</p> |



| | | | |
|---|--|---|---|
| <p>25</p>  <p>X 2</p> | <p>26</p>  <p>X 2</p> | <p>27</p>  <p>X 2</p> | <p>28</p>  <p>X 2</p> |
| <p>29</p>  <p>X 2</p> | <p>30</p>  <p>X 2</p> | <p>31</p>  <p>X 2</p> | <p>32</p>  <p>X 1</p> |
| <p>33</p>  <p>X 1</p> | <p>34</p>  <p>X 1</p> | <p>35</p>  <p>X 1</p> | <p>36</p>  <p>X 2</p> |
| <p>37</p>  <p>X 1</p> | <p>38</p>  <p>X 1</p> | <p>39</p>  <p>X 1</p> | |

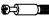


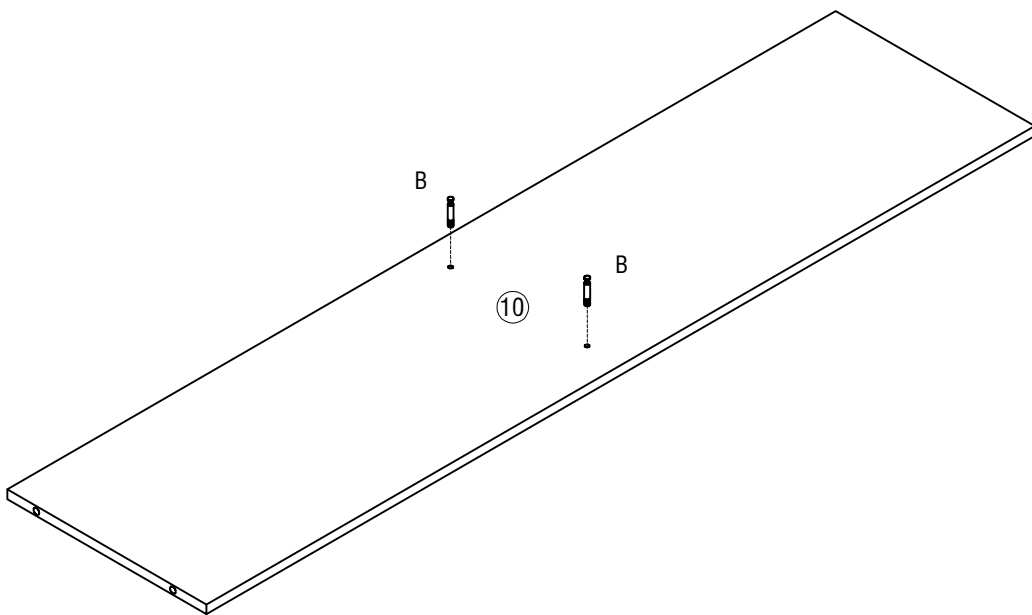
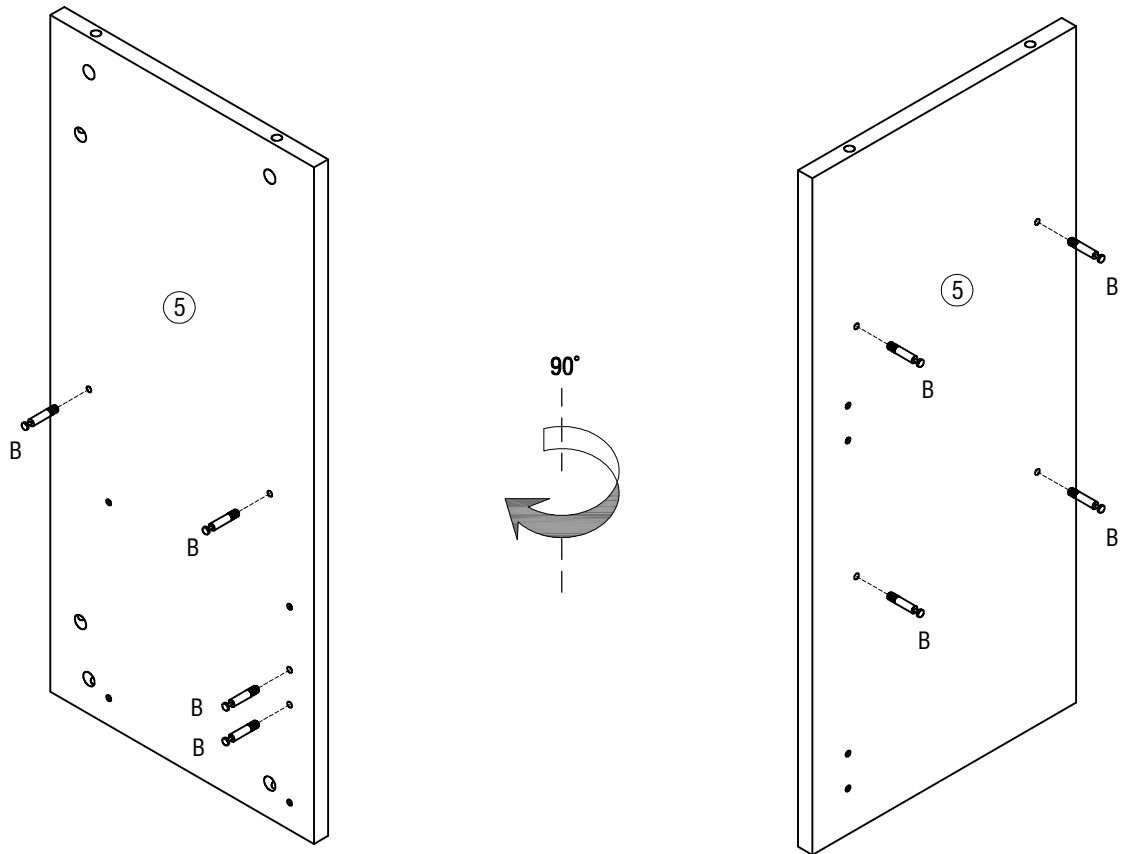
| | | | | | | |
|--|--|--|---|---|---|--|
| A  ø12*10 X 164 | B  ø7*40 X 164 | C  ø6*40 X 2 | D  ø8*40 X 6 | E  M5*40 X 14 | F  M6*15 X 4 | G  M3*12 X 34 |
| H  M4*14 X 30 | J  X 2 | K  X 2 | L  10° X 4 | M  900mm X 1 | N  X 4 | P  M4*16 X 2 |
| Q  M4*18 X 2 | R  ø8*490mm X 2 | S  H=60mm X 2 | T  ø12*1 X 8 | U  X 12 | | |



Installation Steps

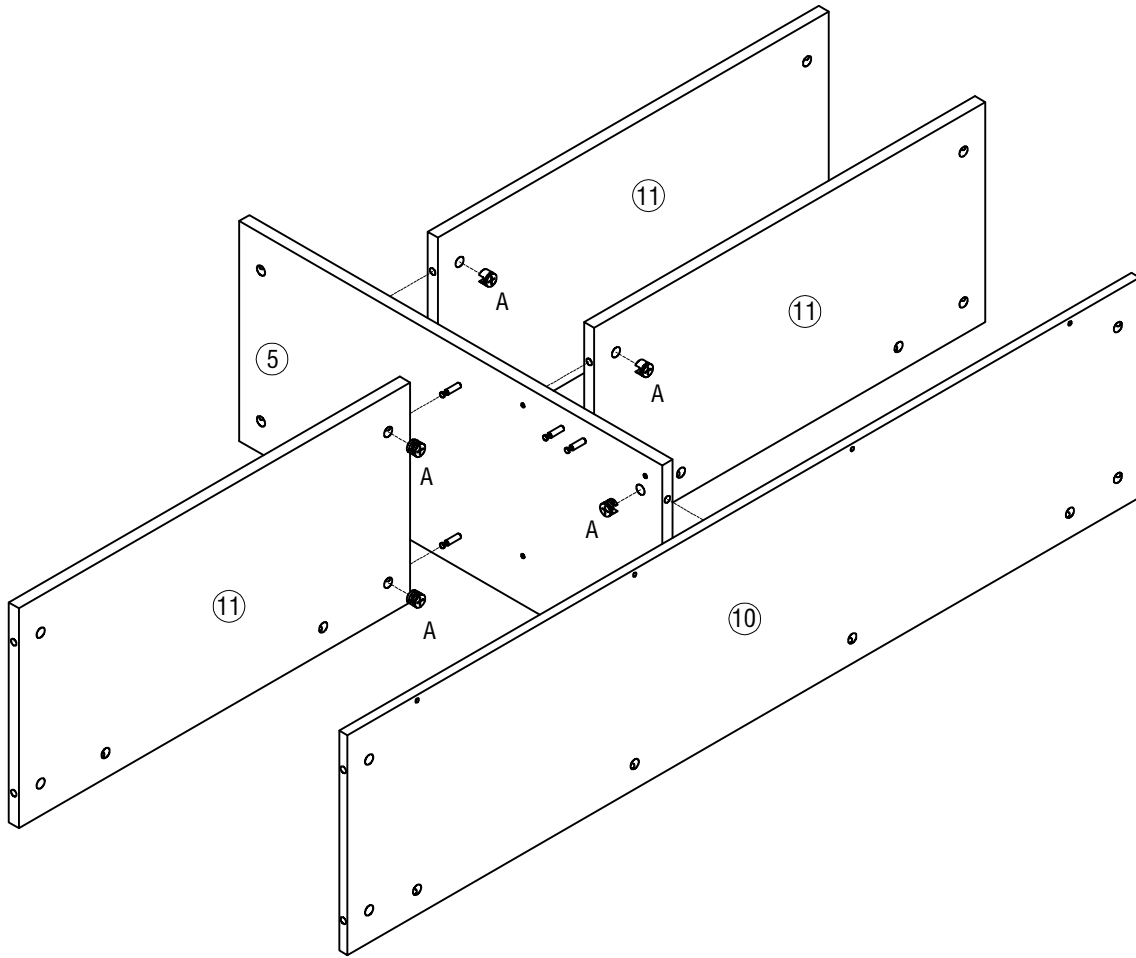
1 ▶


B $\varnothing 7 \times 40$

X 10



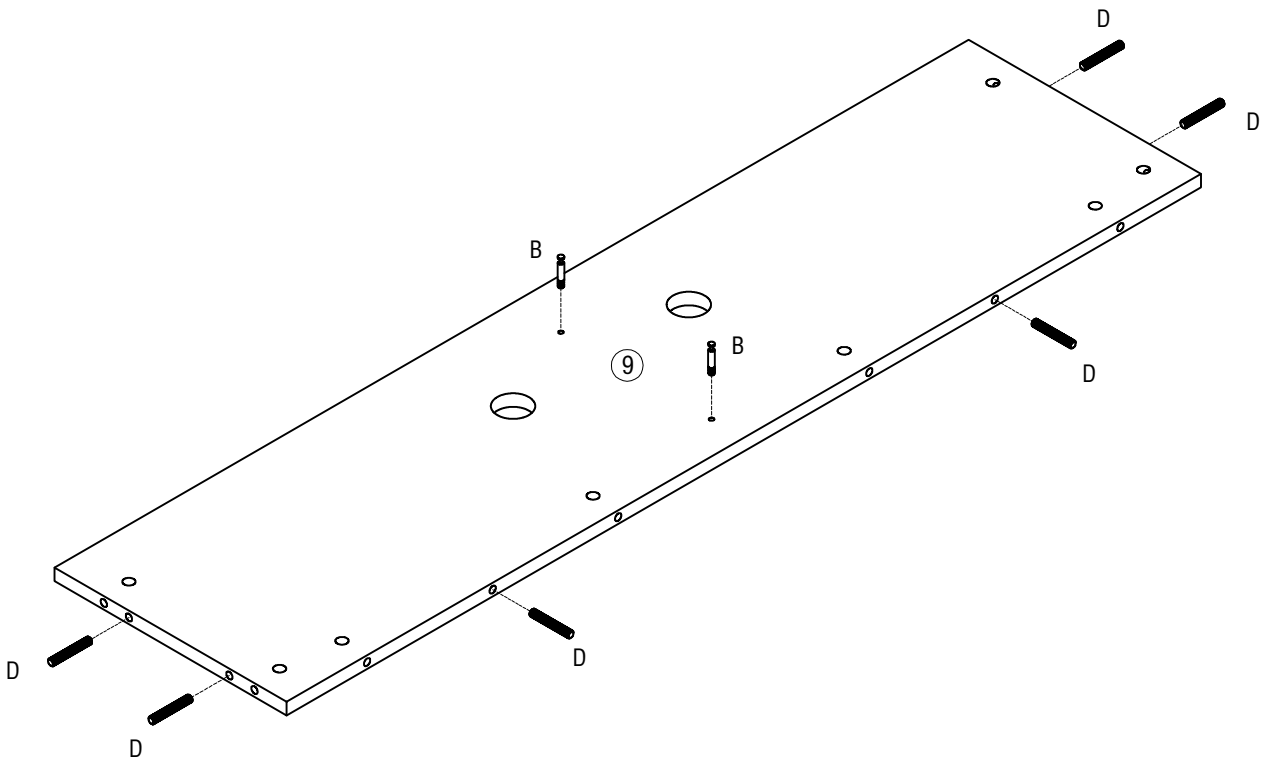
Installation Steps

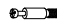
2 ▶




A $\phi 12 \times 10$

X 8

3 ▶


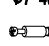


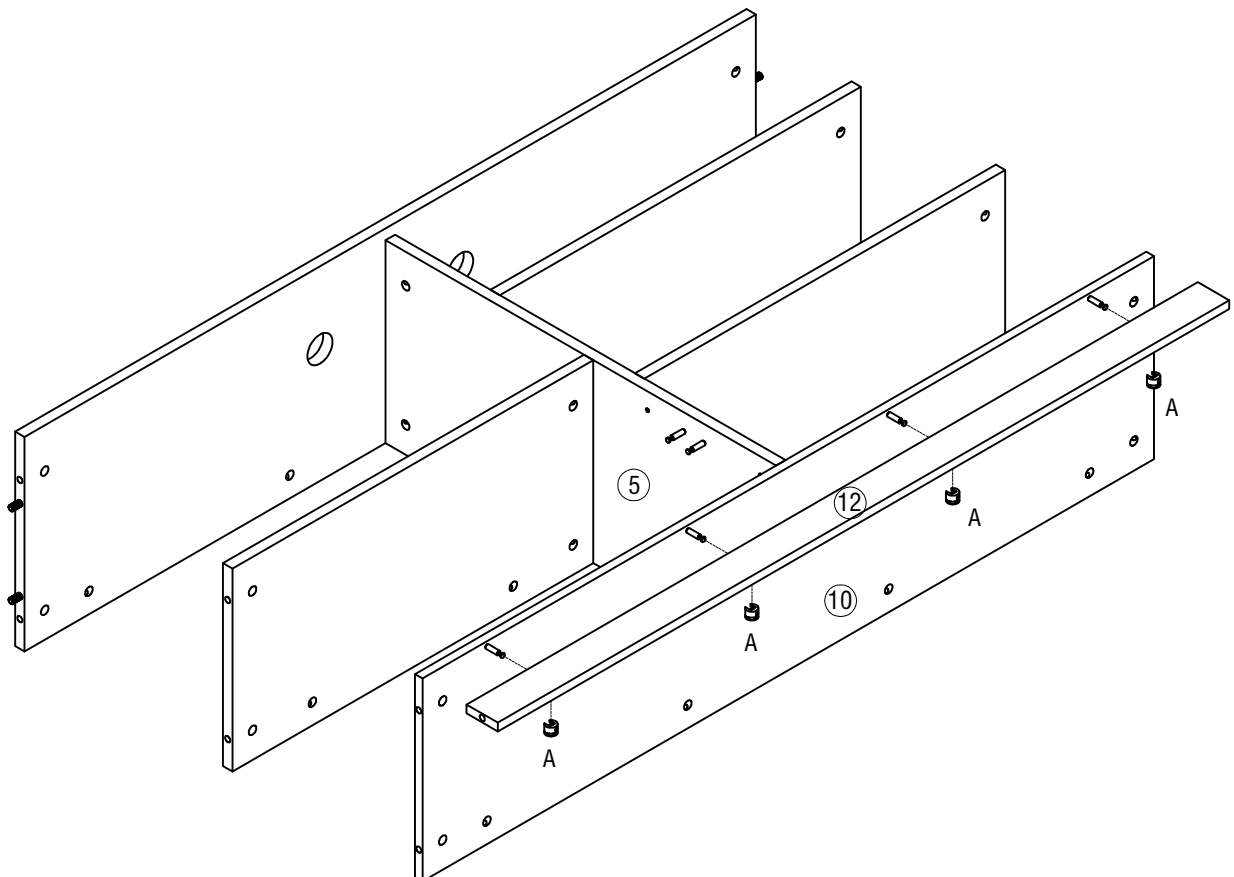
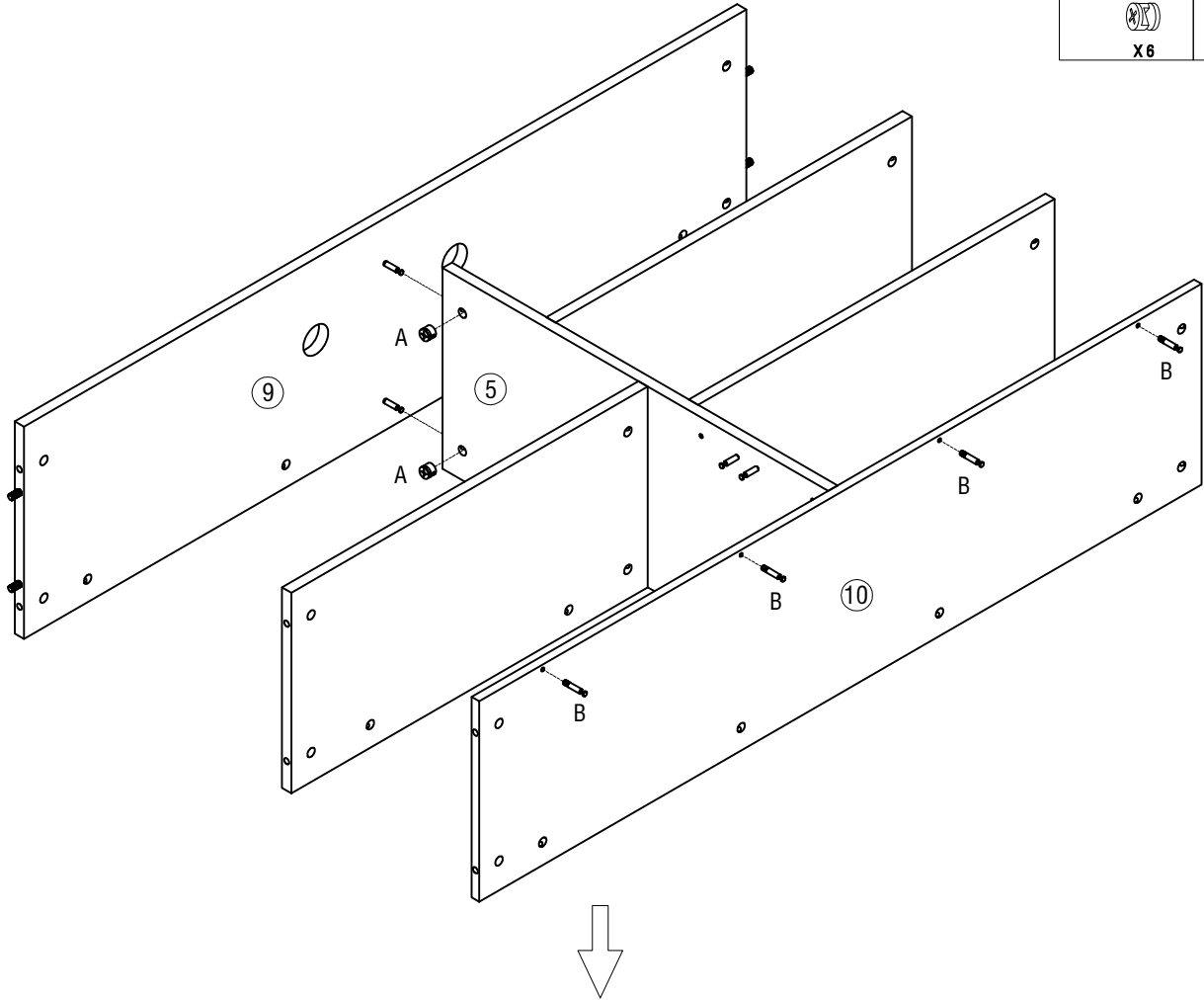
B $\phi 7 \times 40$

X 2

D $\phi 8 \times 40$

X 6

Installation Steps


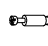
4 ▶

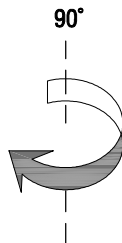
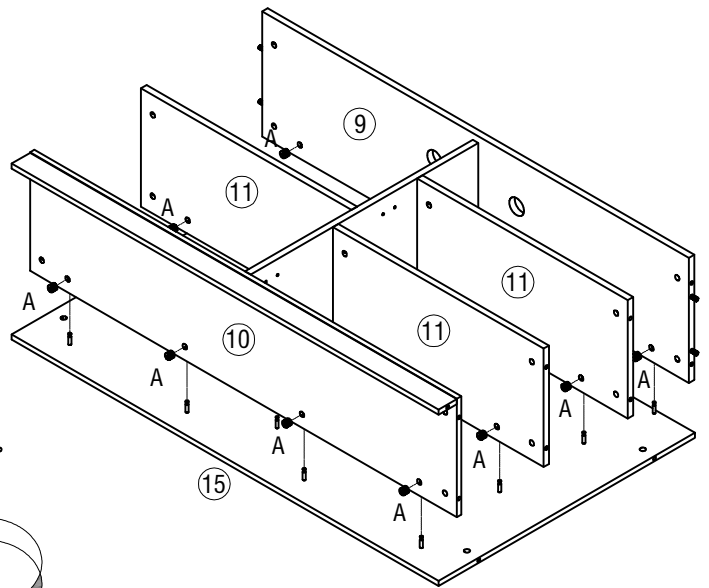
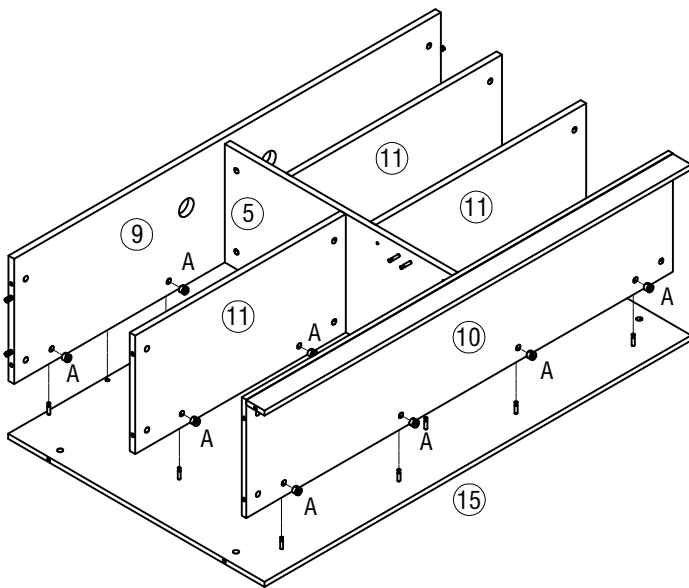
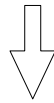
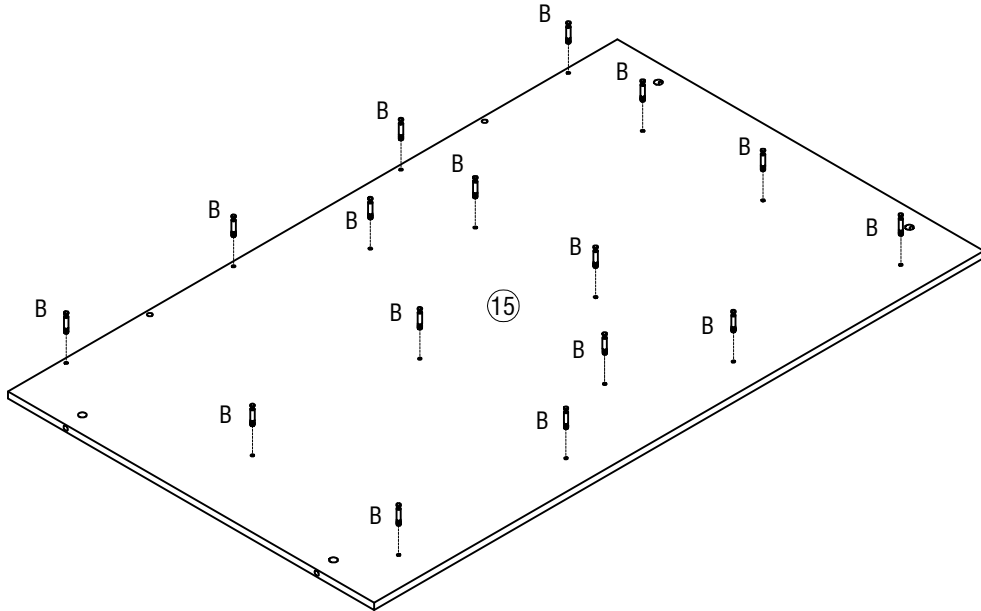
| | |
|---|--|
| A $\varnothing 12 \times 10$  X 6 | B $\varnothing 7 \times 40$  X 4 |
|---|--|



Installation Steps

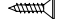

5 ▶

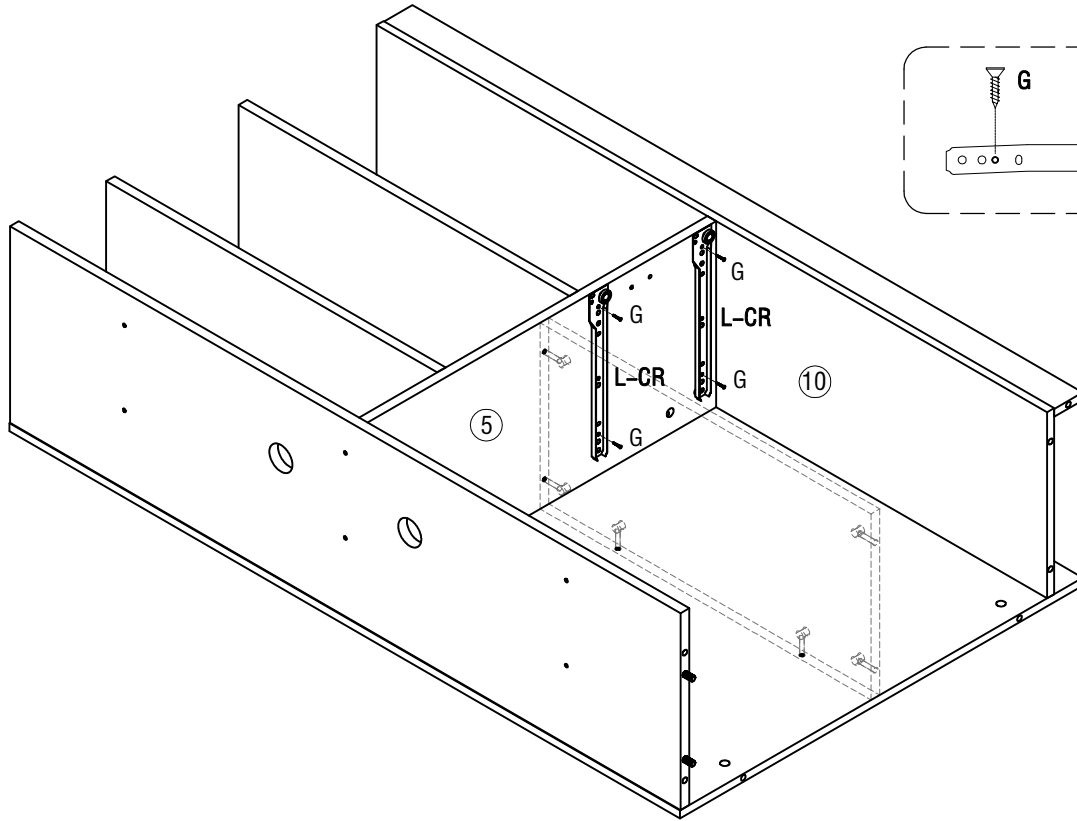
| | |
|---|--|
| A $\phi 12 \times 10$  X 16 | B $\phi 7 \times 40$  X 16 |
|---|--|



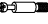


Installation Steps

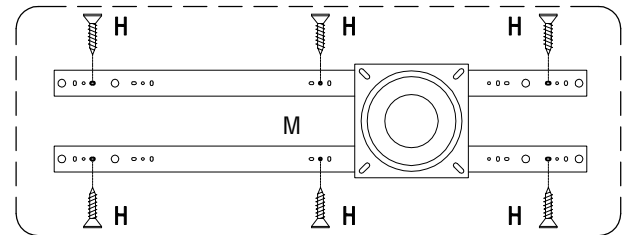
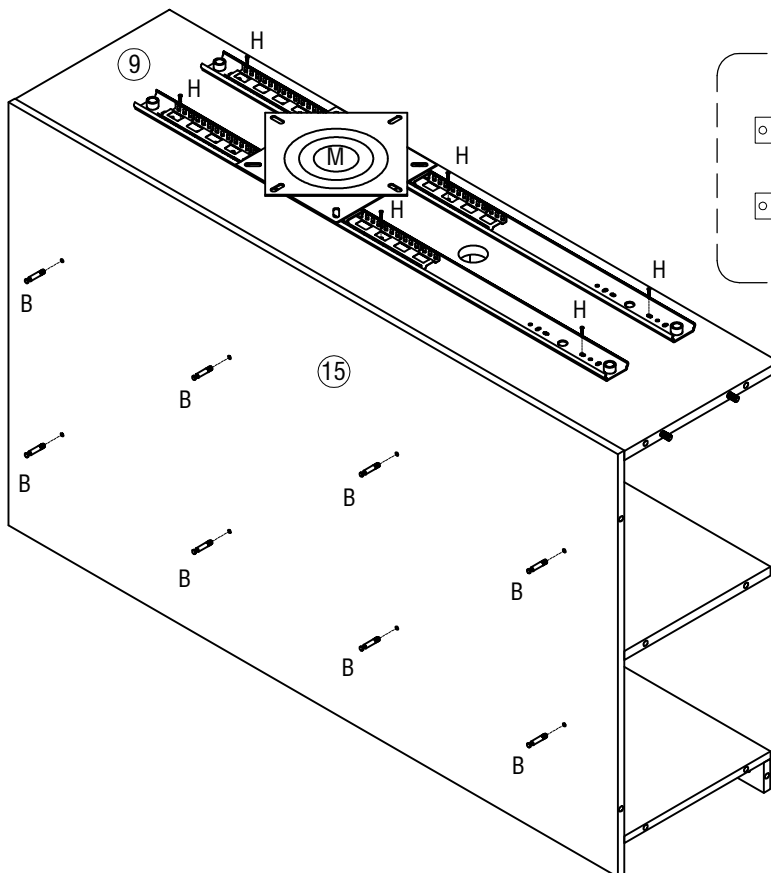
6 ▶

| | | | |
|----------|---|----------|---|
| G | M3*12 | L | 10° |
| |  | |  |
| | X4 | | X2 |




7 ▶

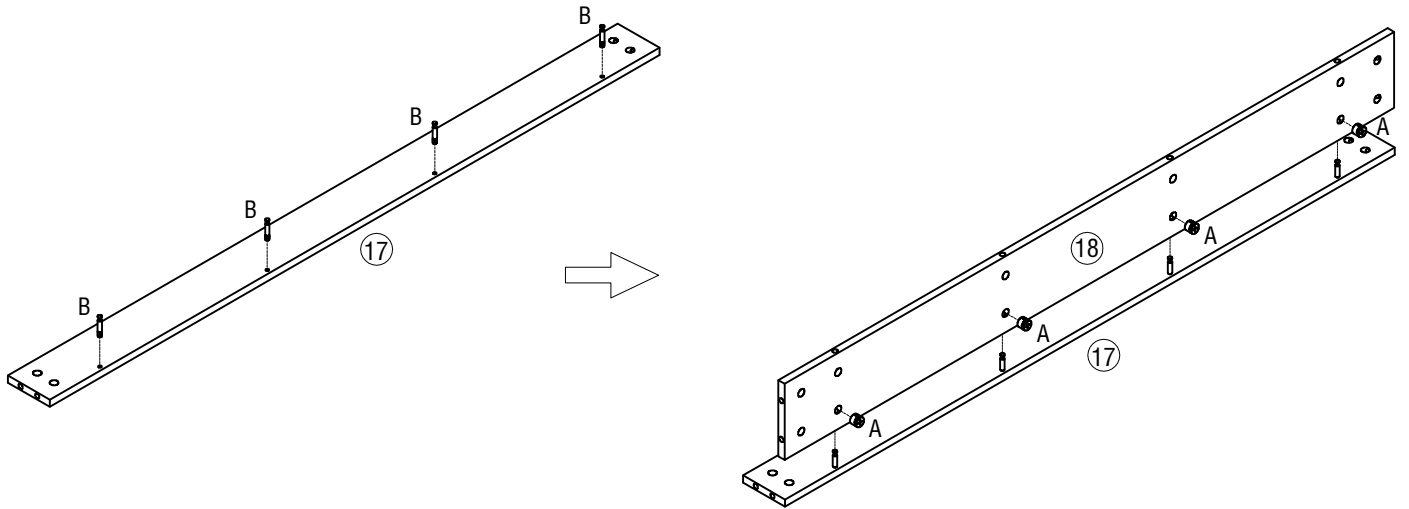
| | | | | | |
|----------|---|----------|---|----------|---|
| B | Ø7*40 | H | M4*14 | M | 900mm |
| |  | |  | |  |
| | X8 | | X6 | | X1 |



Installation Steps


8 ▶

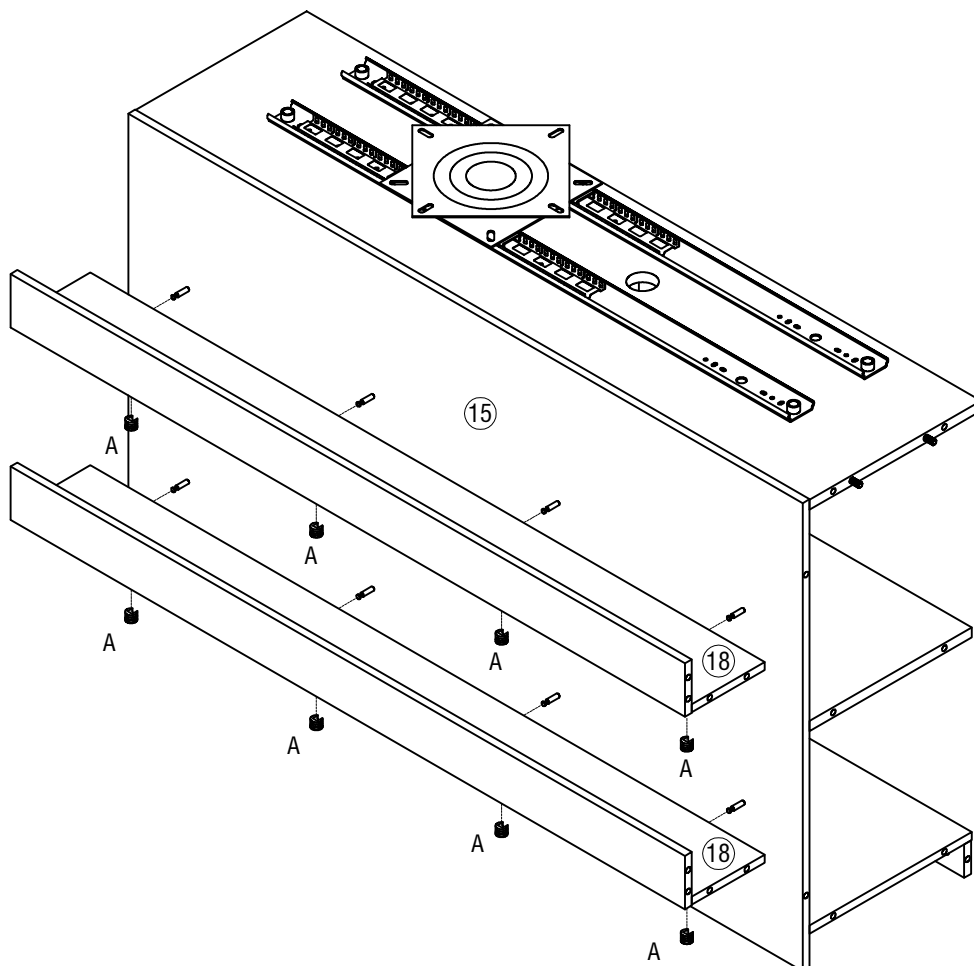
| | |
|--|---|
| A $\phi 12 \times 10$  X 8 | B $\phi 7 \times 40$  X 8 |
|--|---|



x 2

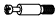
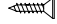

9 ▶

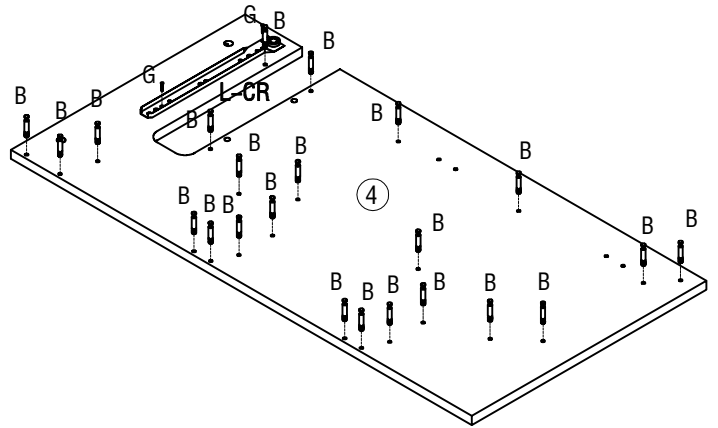
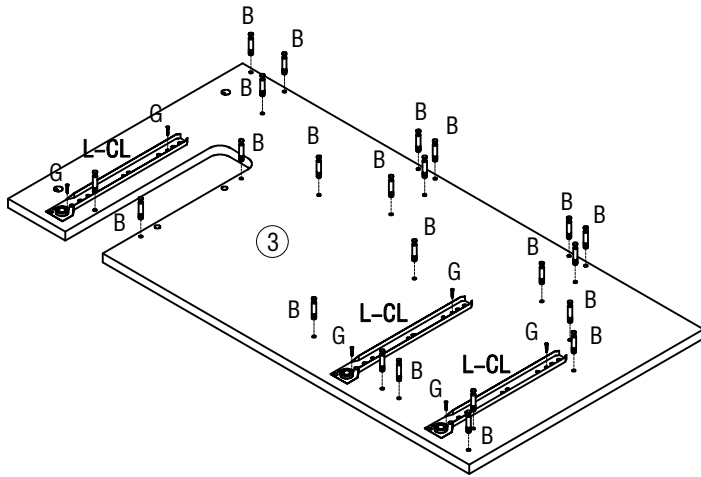
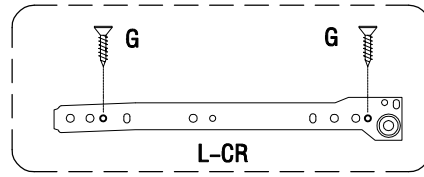
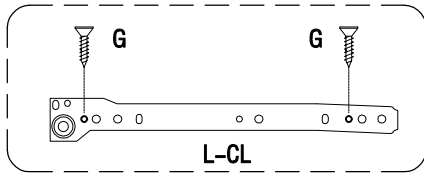
| |
|--|
| A $\phi 12 \times 10$  X 8 |
|--|




Installation Steps

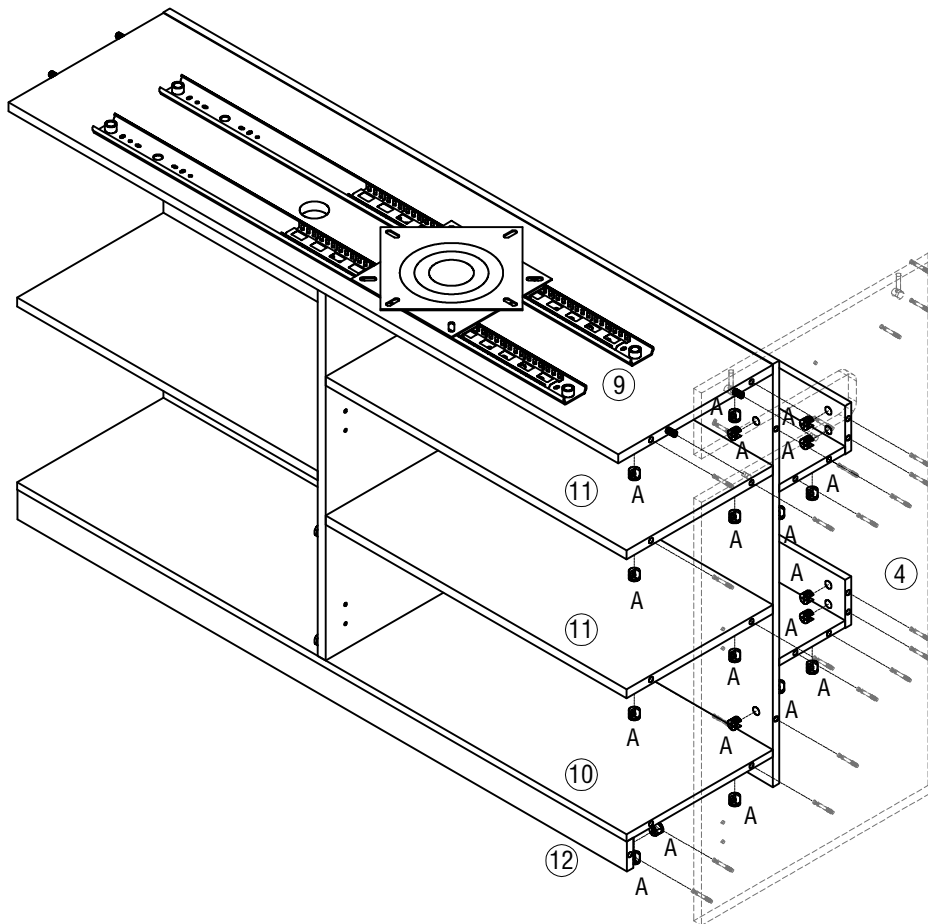
10 ▶

| | | | | | |
|----------|---|----------|--|----------|---|
| B | $\phi 7 \times 40$  X 46 | G | M3 \times 12  X 8 | L | 10"  X 4 |
|----------|---|----------|--|----------|---|





11 ▶

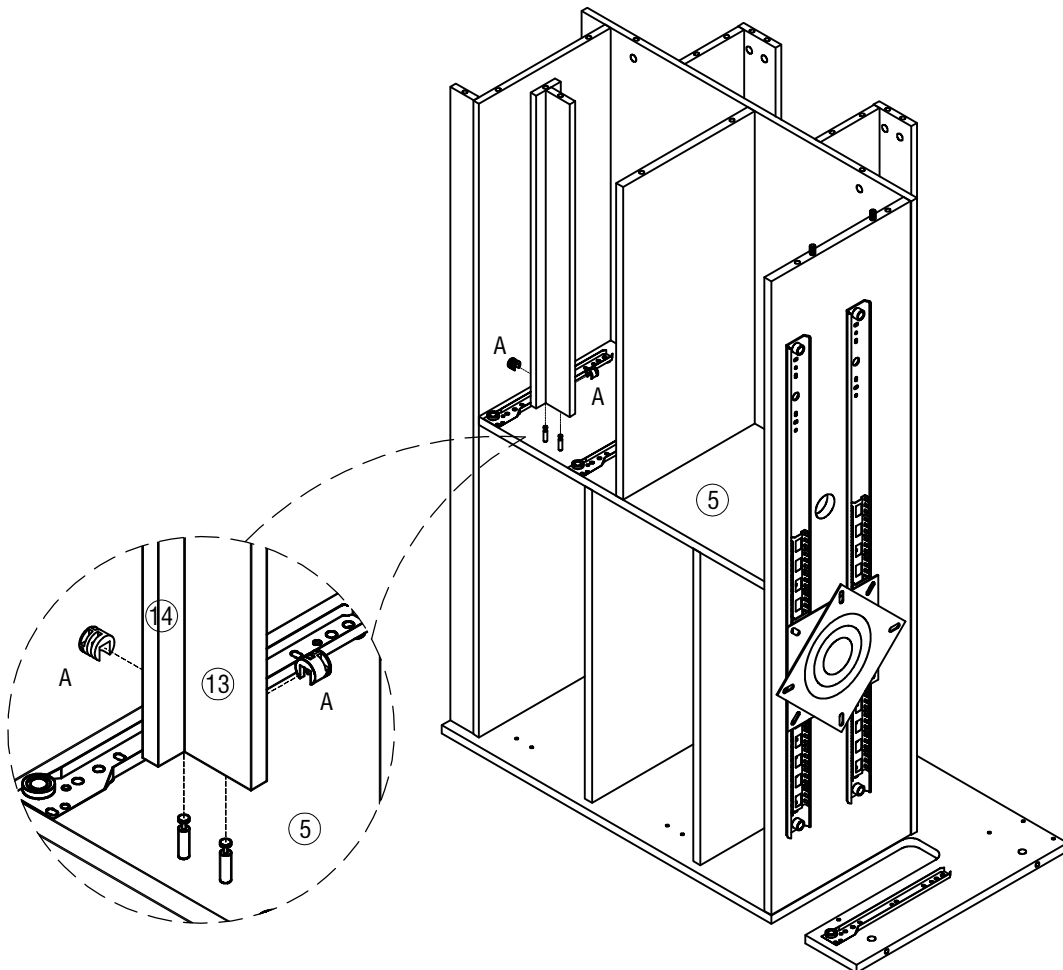
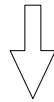
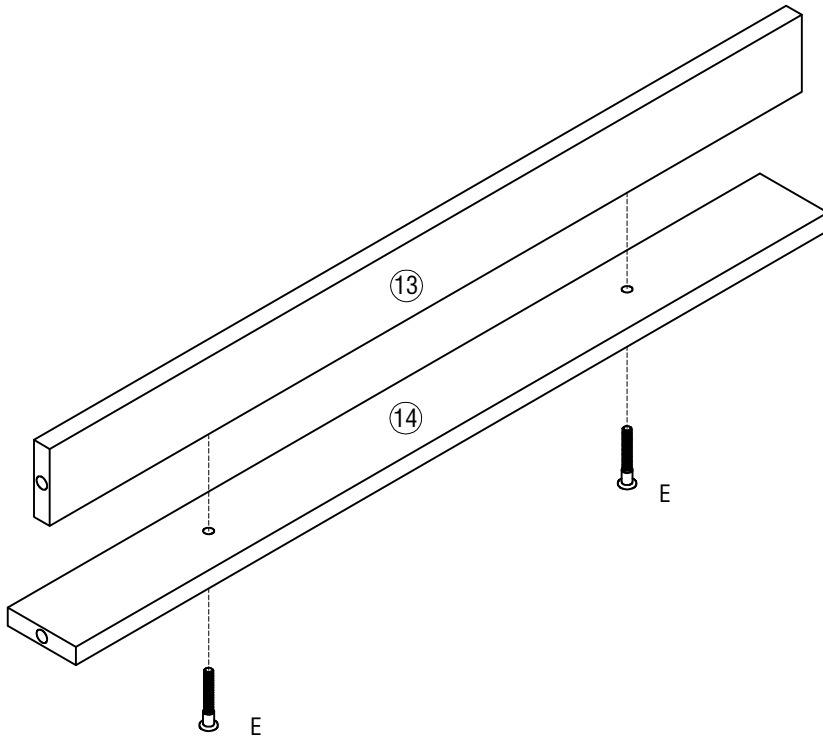
| | |
|----------|--|
| A | $\phi 12 \times 10$  X 19 |
|----------|--|



Installation Steps


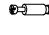
12 ▶

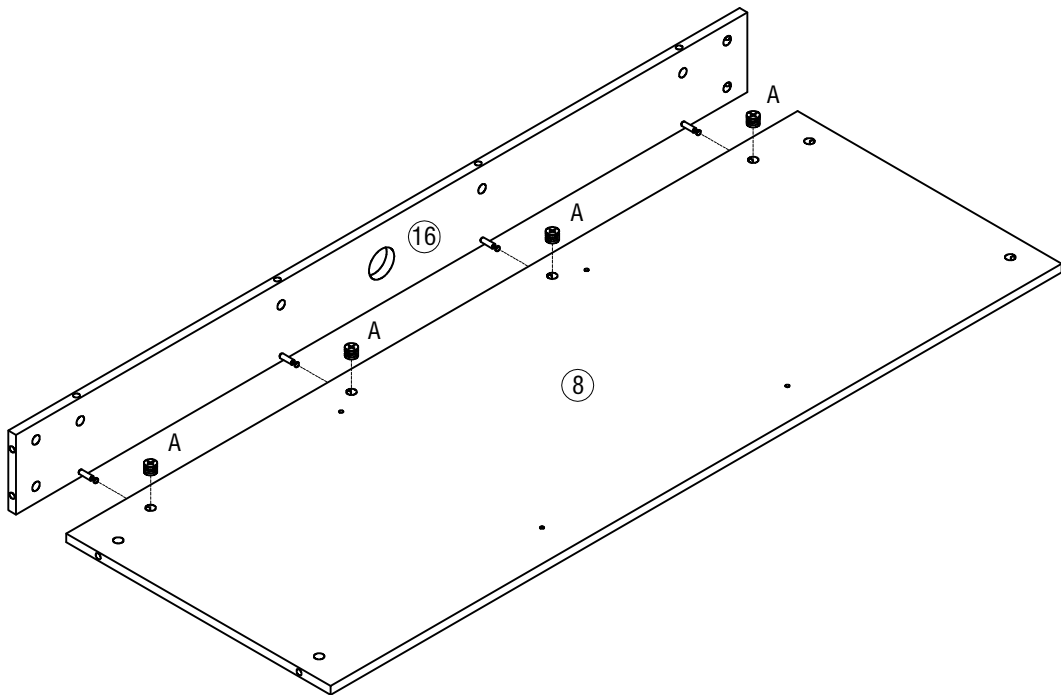
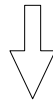
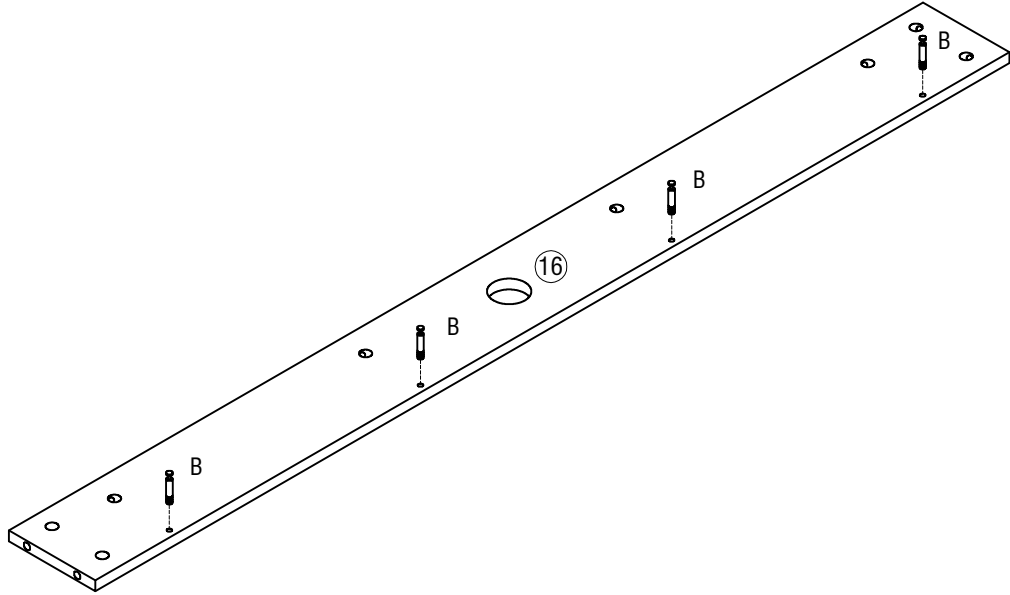
| | | | |
|---|---|---|---|
| A | ∅12*10 | E | M5*40 |
| |  | |  |
| | X2 | | X2 |



Installation Steps


13 ▶

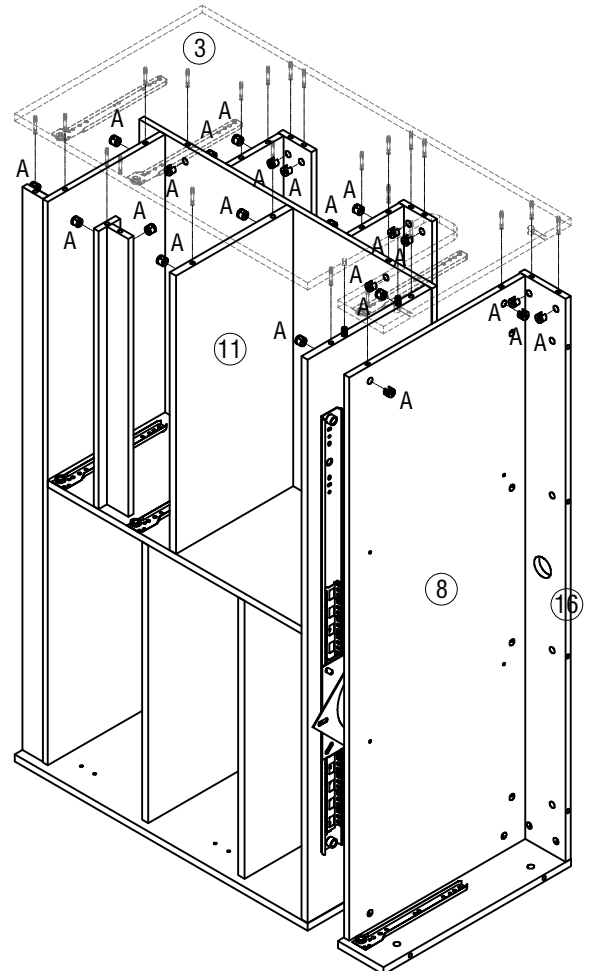
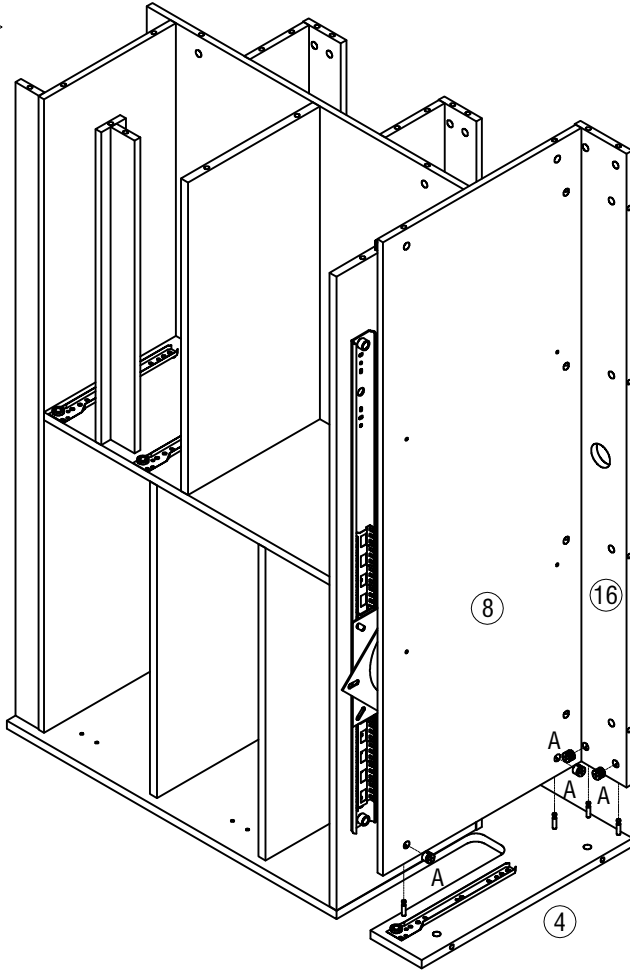
| | |
|---|---|
| A $\varnothing 12 \times 10$ | B $\varnothing 7 \times 40$ |
|  |  |
| X4 | X4 |



Installation Steps


14 ▶

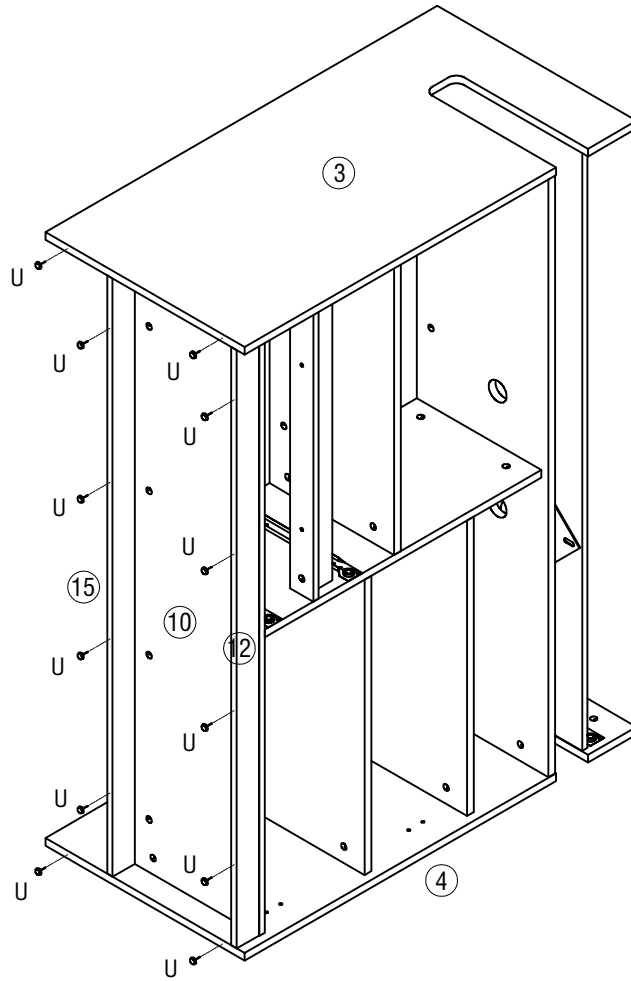
A $\phi 12 \times 10$

X27



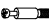
Installation Steps

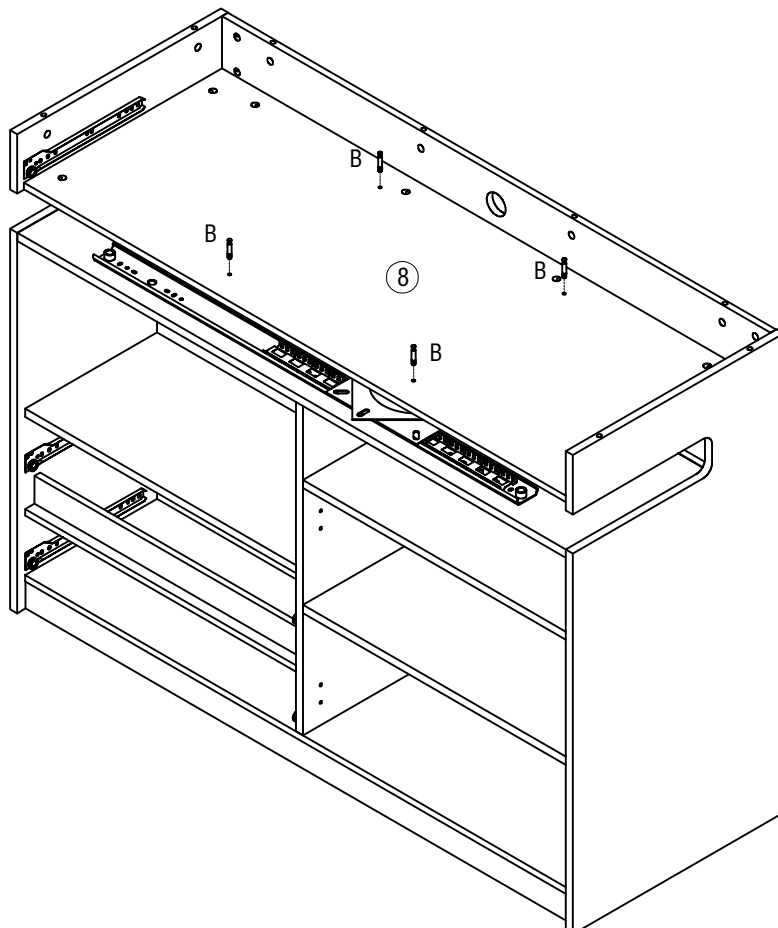
15 ▷

U

X12



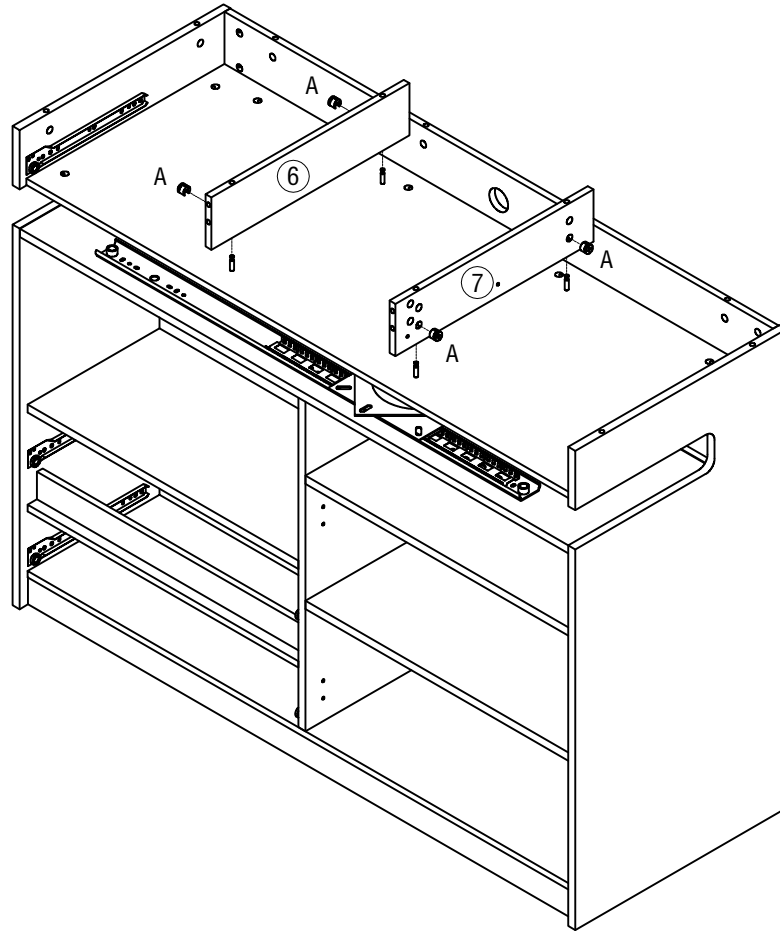
16 ▷


B $\varnothing 7 \times 40$

X4



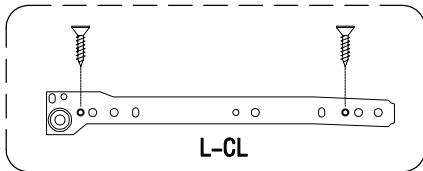
Installation Steps

17 ▶

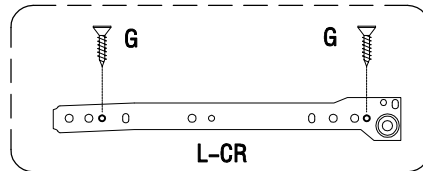


A $\phi 12 \times 10$

X 4

18 ▶

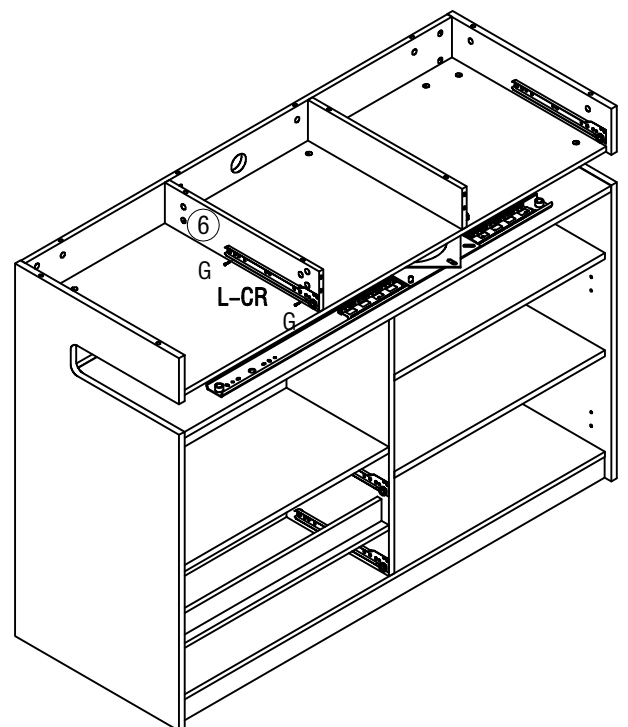
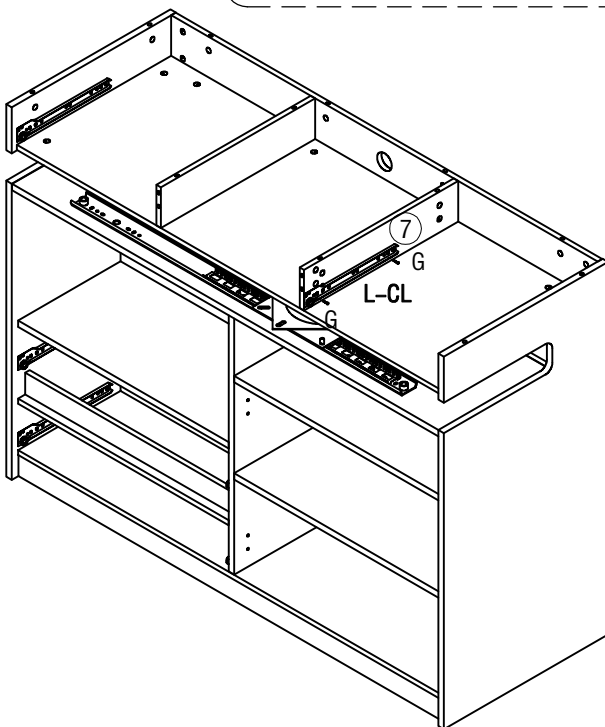


L-CL




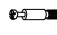
L-CR

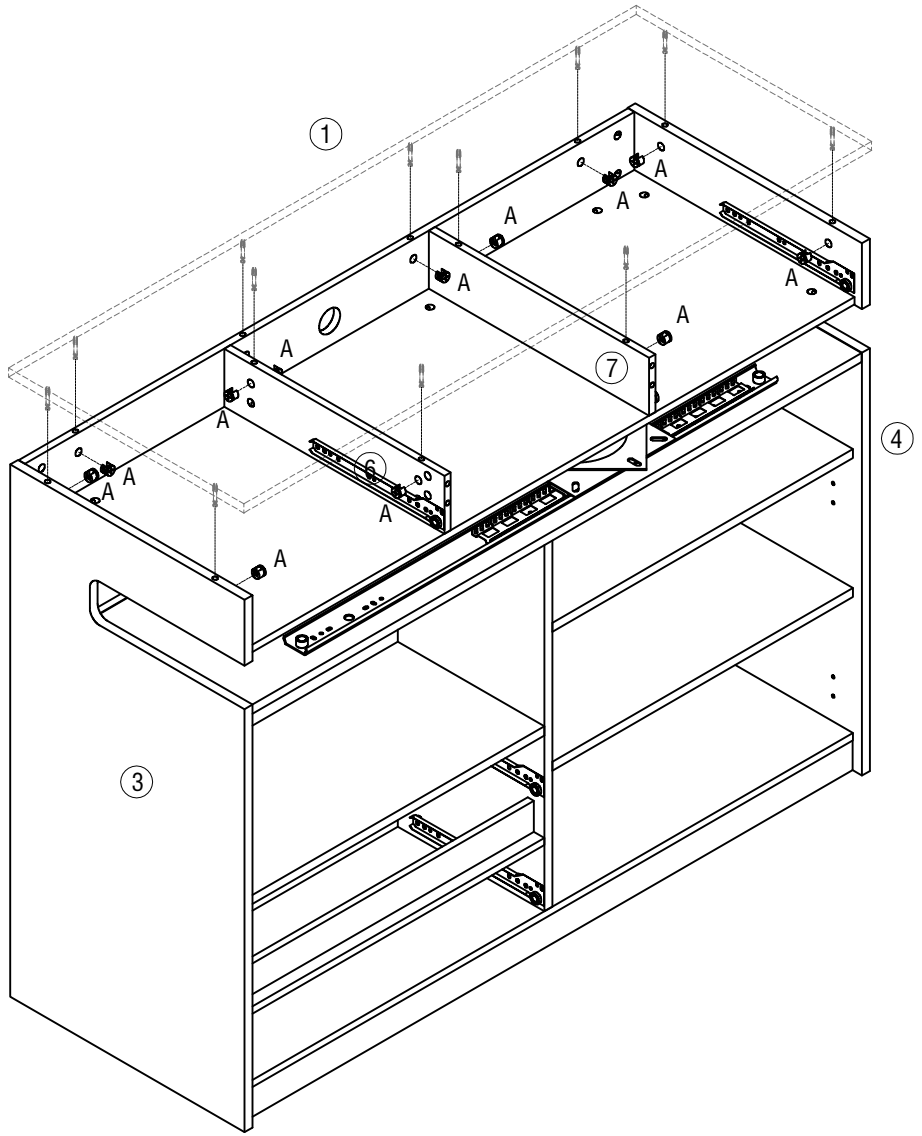
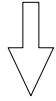
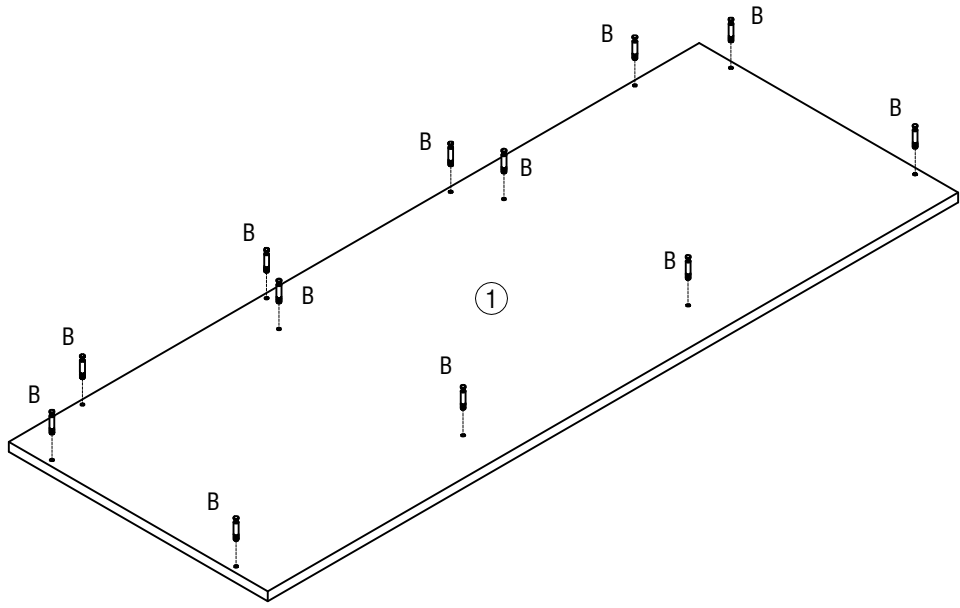
G M3*12 X 4
L 10" X 2



Installation Steps

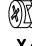
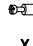

19 ▶

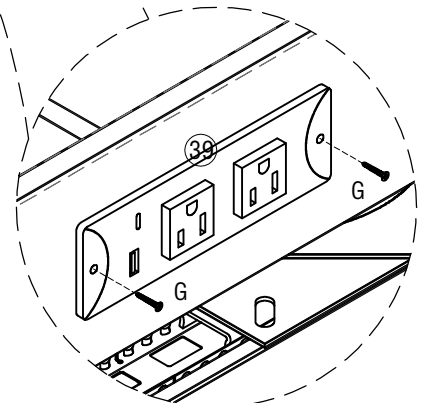
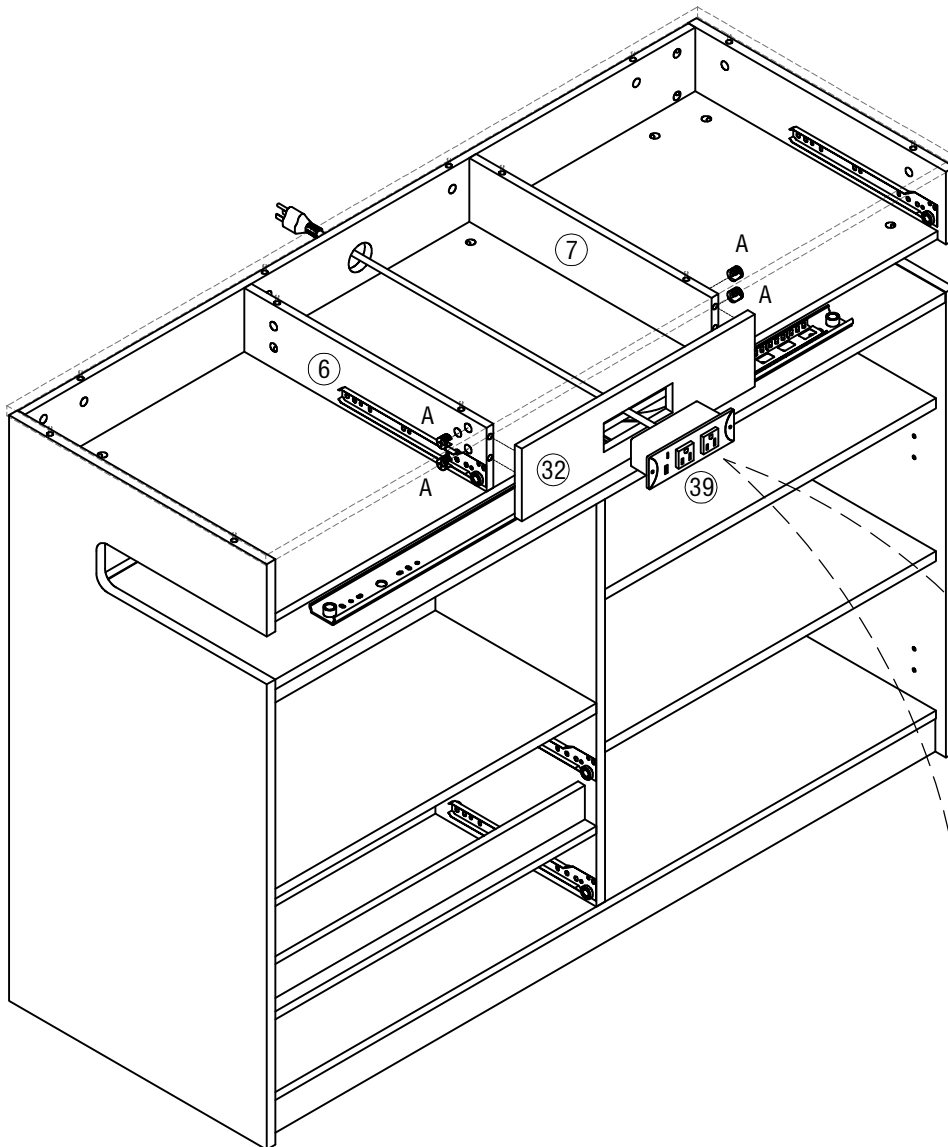
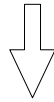
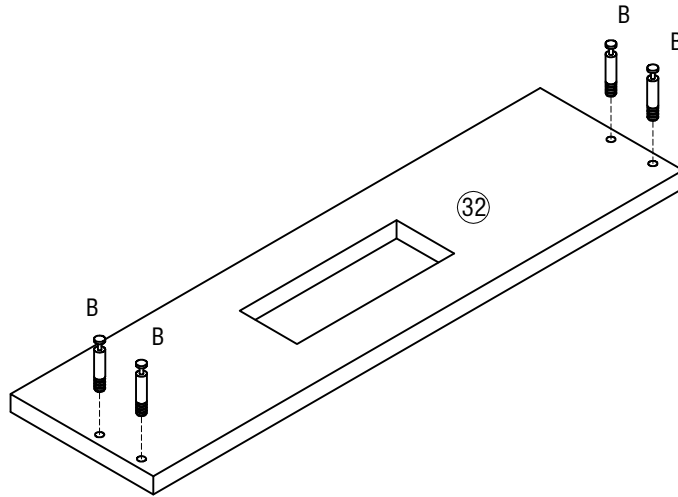
| | | | |
|----------|---|----------|---|
| A | ∅12*10 | B | ∅7*40 |
| |  | |  |
| | X12 | | X12 |



Installation Steps


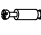
20 ▶

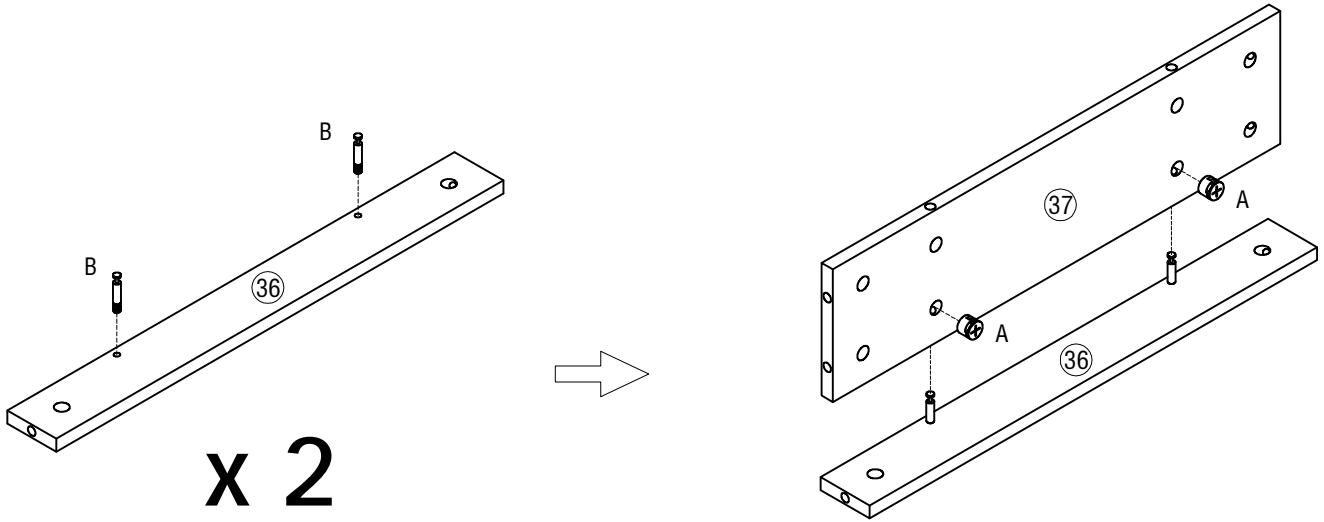
| | | | | | |
|----------|---|----------|---|----------|---|
| A | ∅12*10 | B | ∅7*40 | G | M3*12 |
| |  | |  | |  |
| | X4 | | X4 | | X2 |








Installation Steps

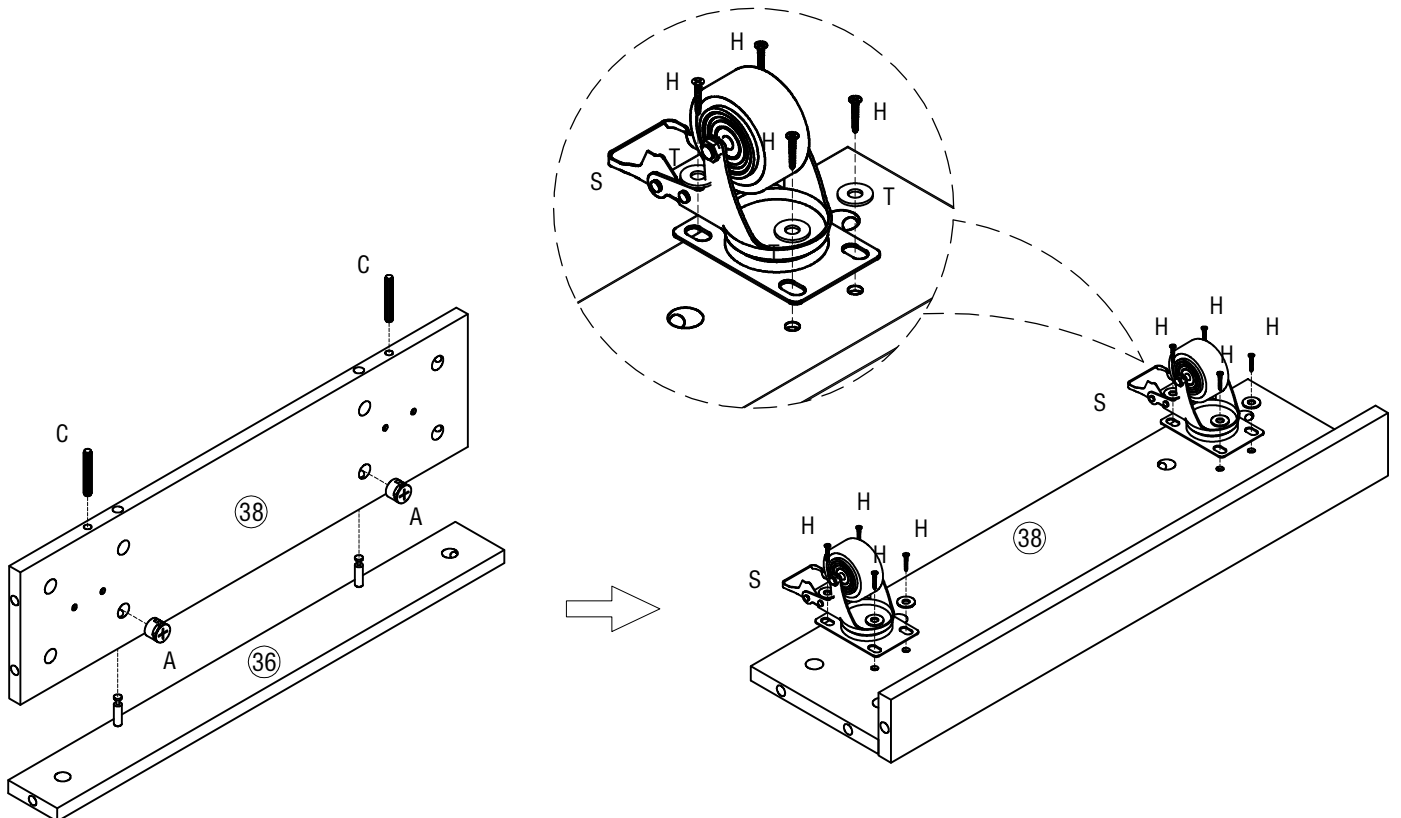
21 ▶

| | | | |
|---|---------------------|---|--------------------|
| A | $\phi 12 \times 10$ | B | $\phi 7 \times 40$ |
|  | |  | |
| X2 | | X4 | |




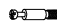
22 ▶

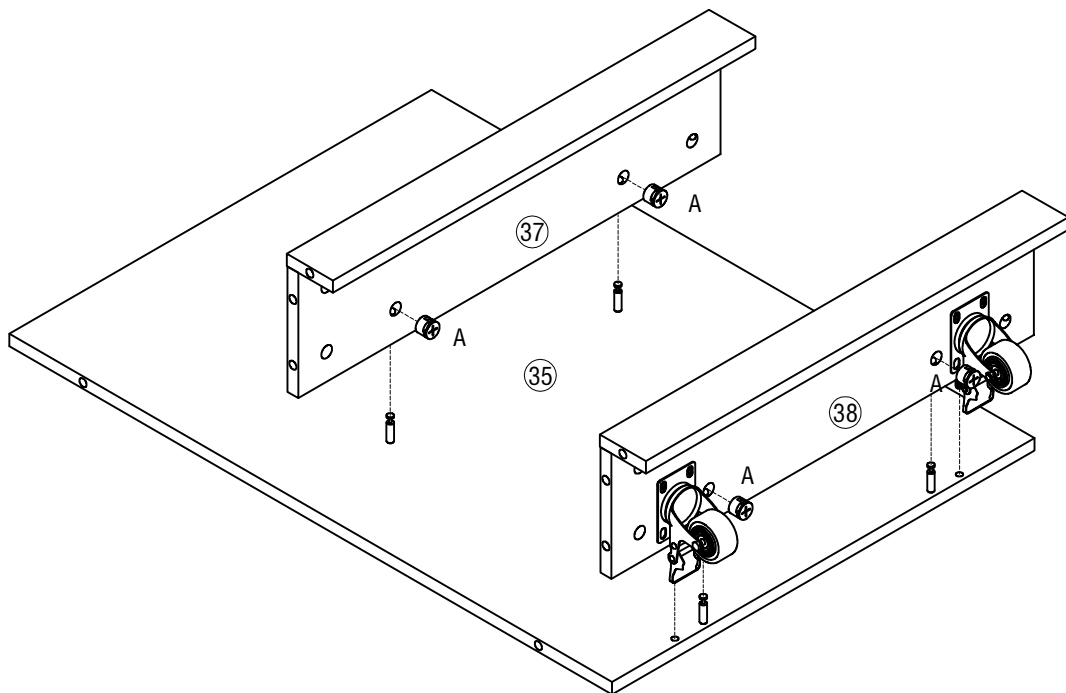
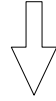
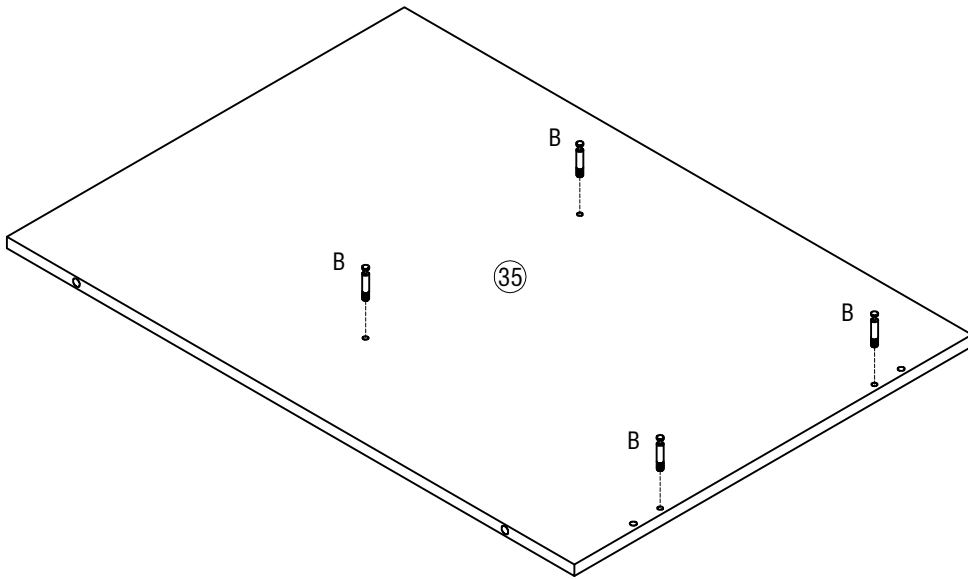
| | | | | | | | | | |
|---|---------------------|---|--------------------|---|-------|---|--------|---|--------------------|
| A | $\phi 12 \times 10$ | C | $\phi 6 \times 40$ | H | M4*14 | S | H=60mm | T | $\phi 12 \times 1$ |
|  | |  | |  | |  | |  | |
| X2 | | X2 | | X8 | | X2 | | X8 | |



Installation Steps



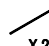
23 ▶

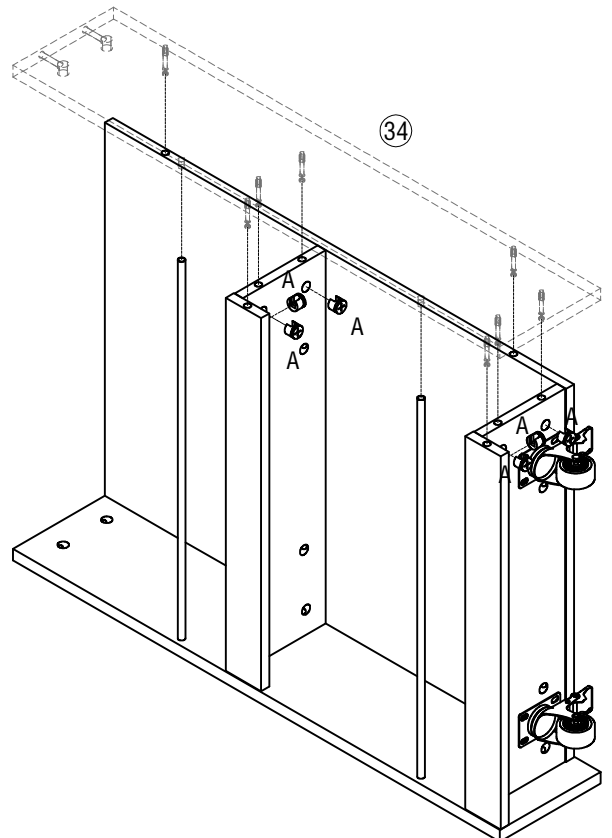
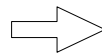
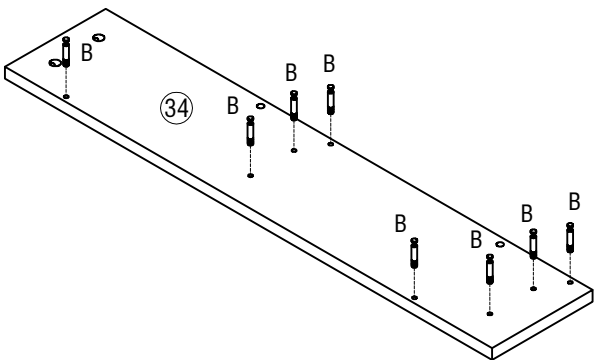
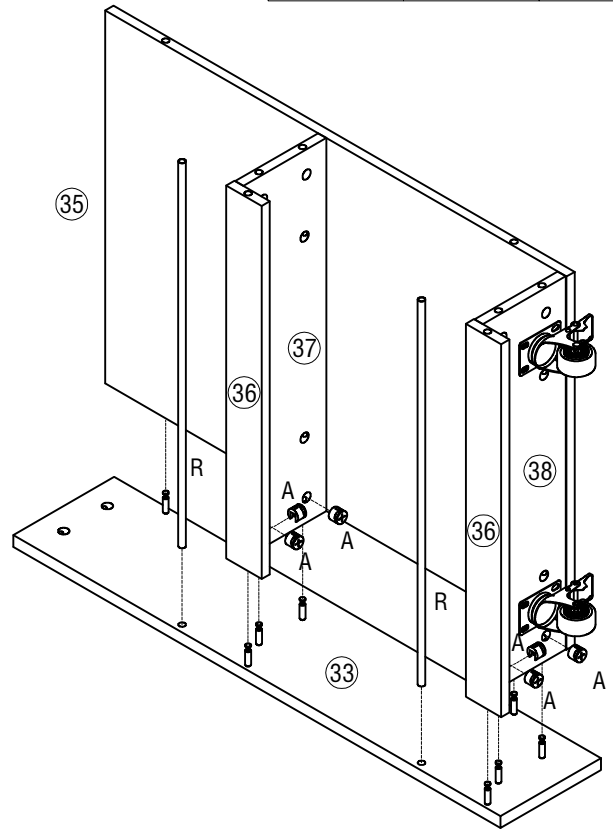
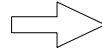
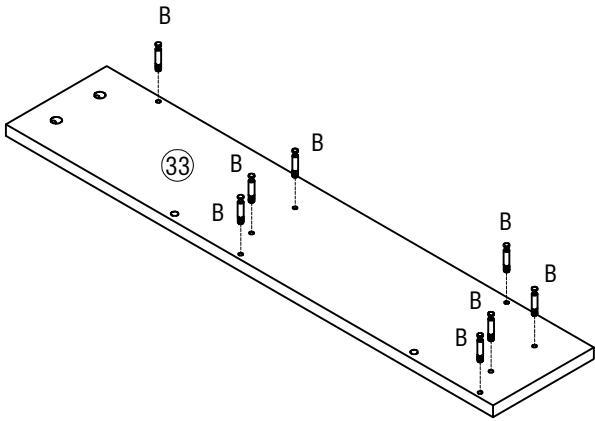
| | |
|--|---|
| A $\phi 12 \times 10$  X 4 | B $\phi 7 \times 40$  X 4 |
|--|---|



Installation Steps


24 ▶

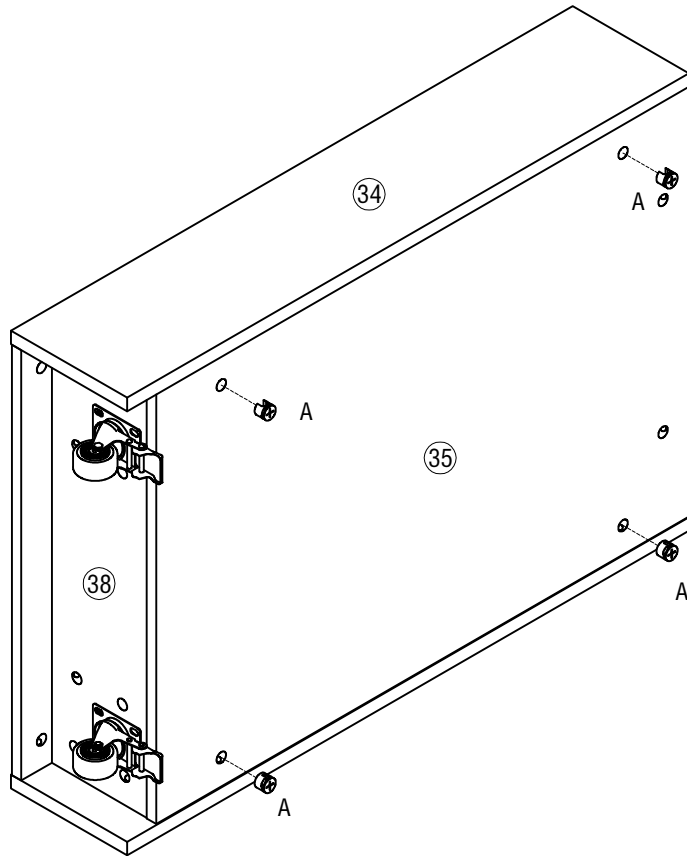
| | | |
|---|--|--|
| A $\phi 12 \times 10$  X 12 | B $\phi 7 \times 40$  X 16 | R $\phi 8 \times 490$  X 2 |
|---|--|--|



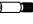
Installation Steps

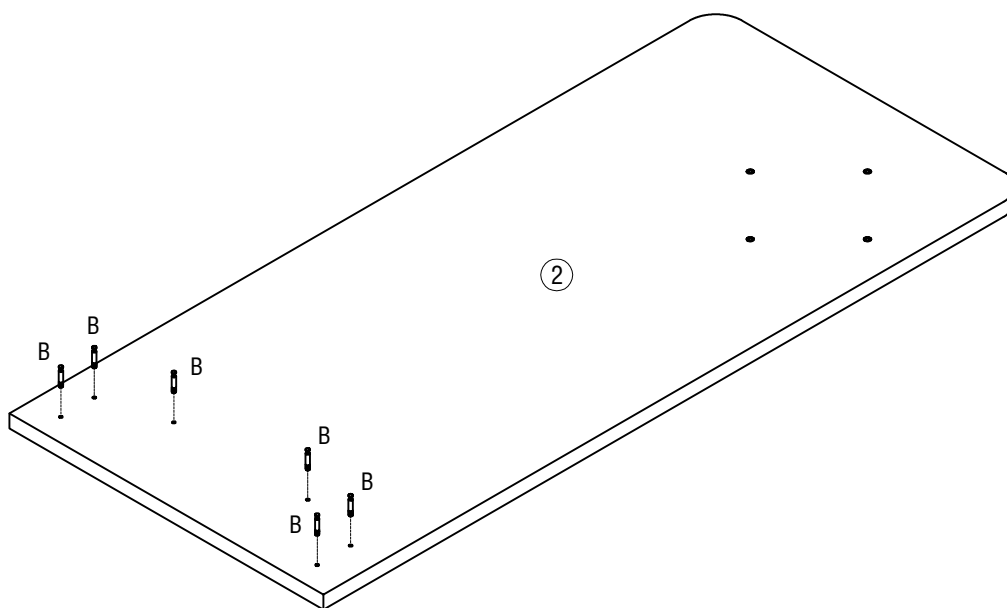
25 ▷

A $\varnothing 12 \times 10$

X4




26 ▷

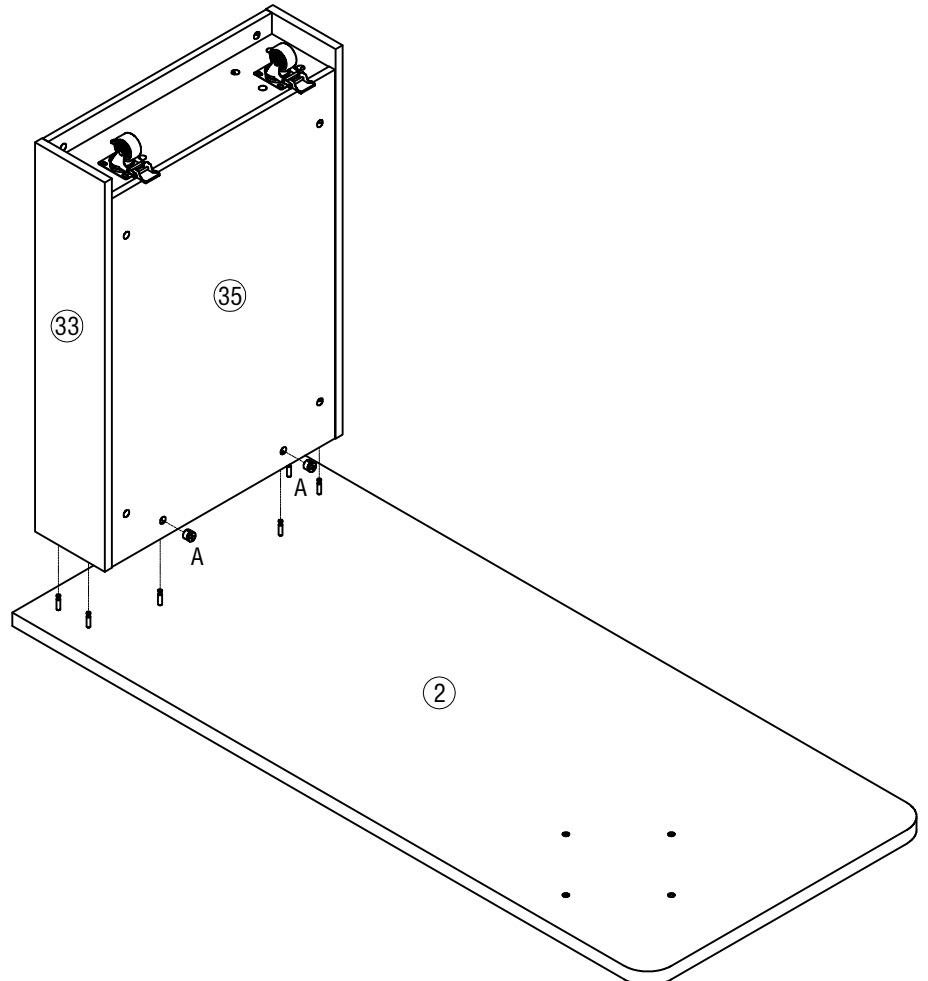
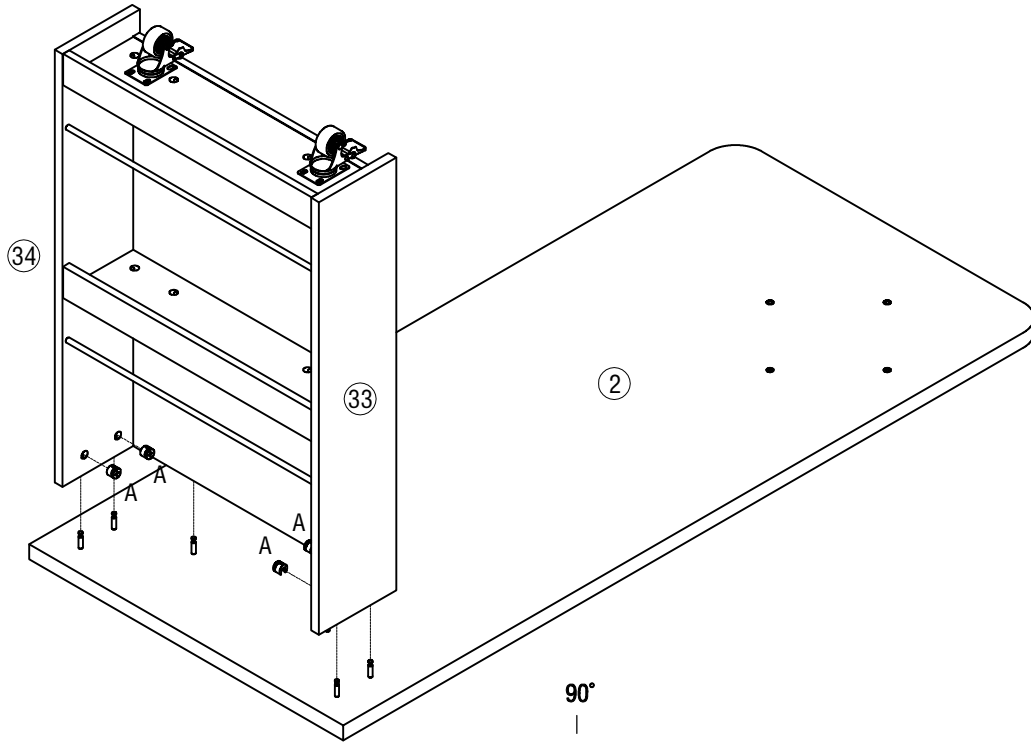
B $\varnothing 7 \times 40$

X6



Installation Steps

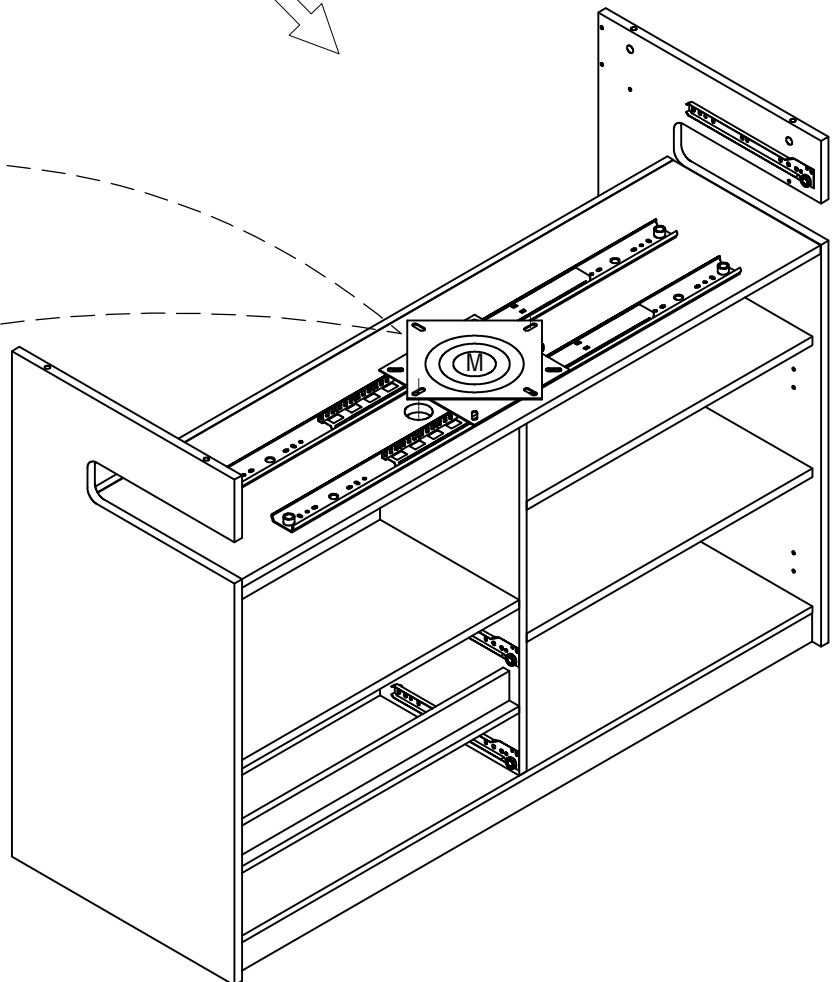
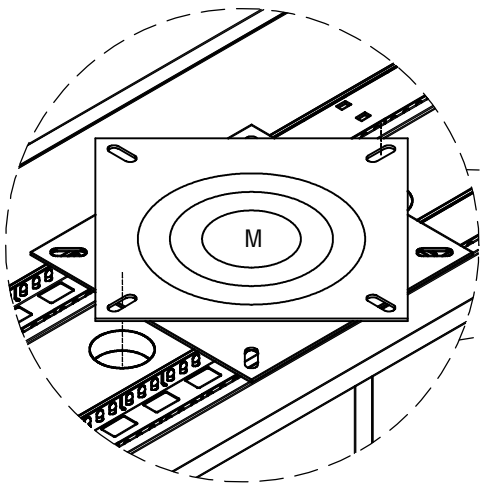
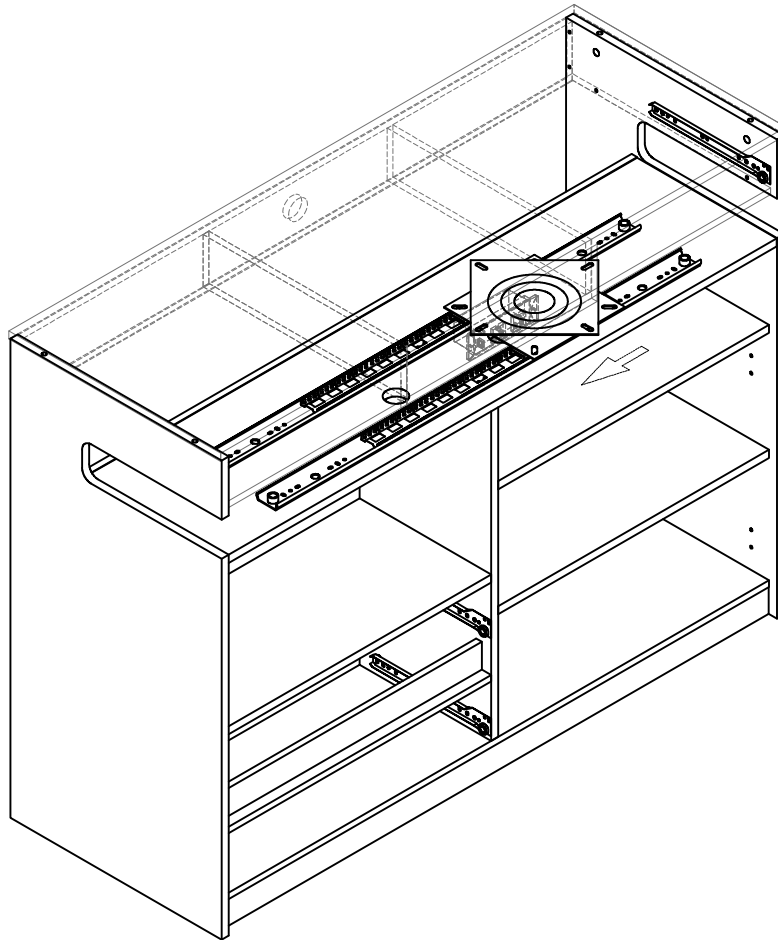
27 ▶

A $\phi 12 \times 10$

X6



Installation Steps

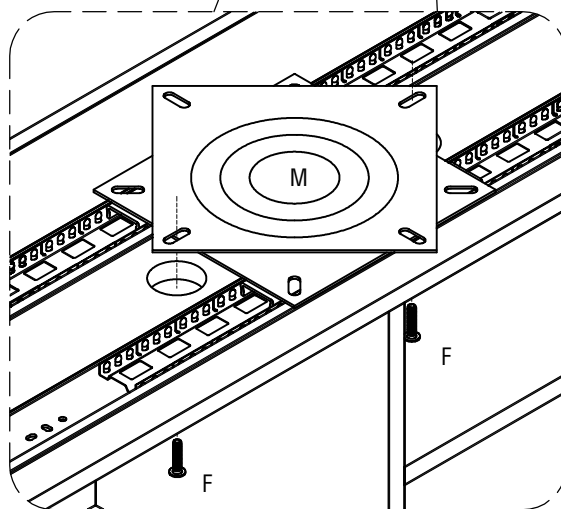
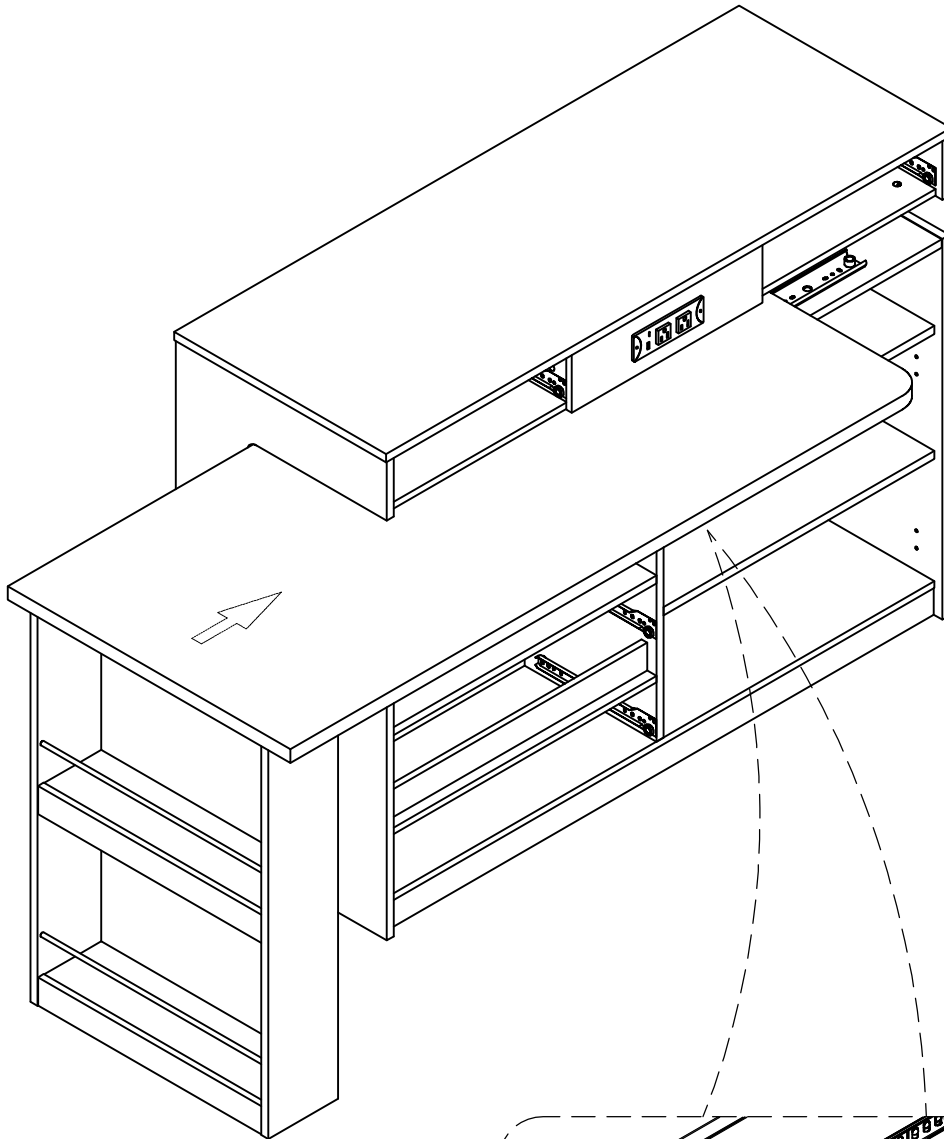
28 ▶



Installation Steps

29 ▷

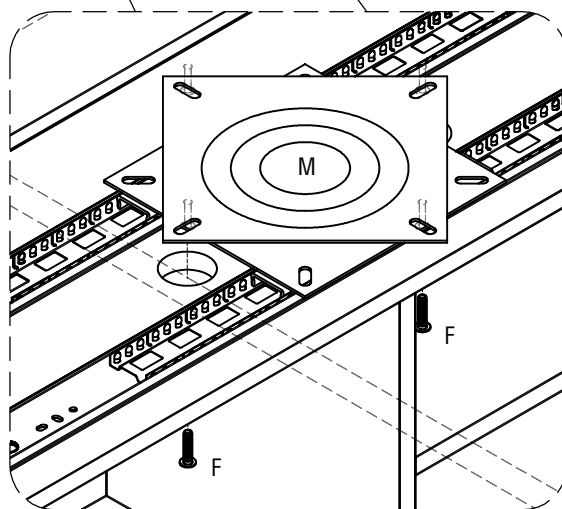
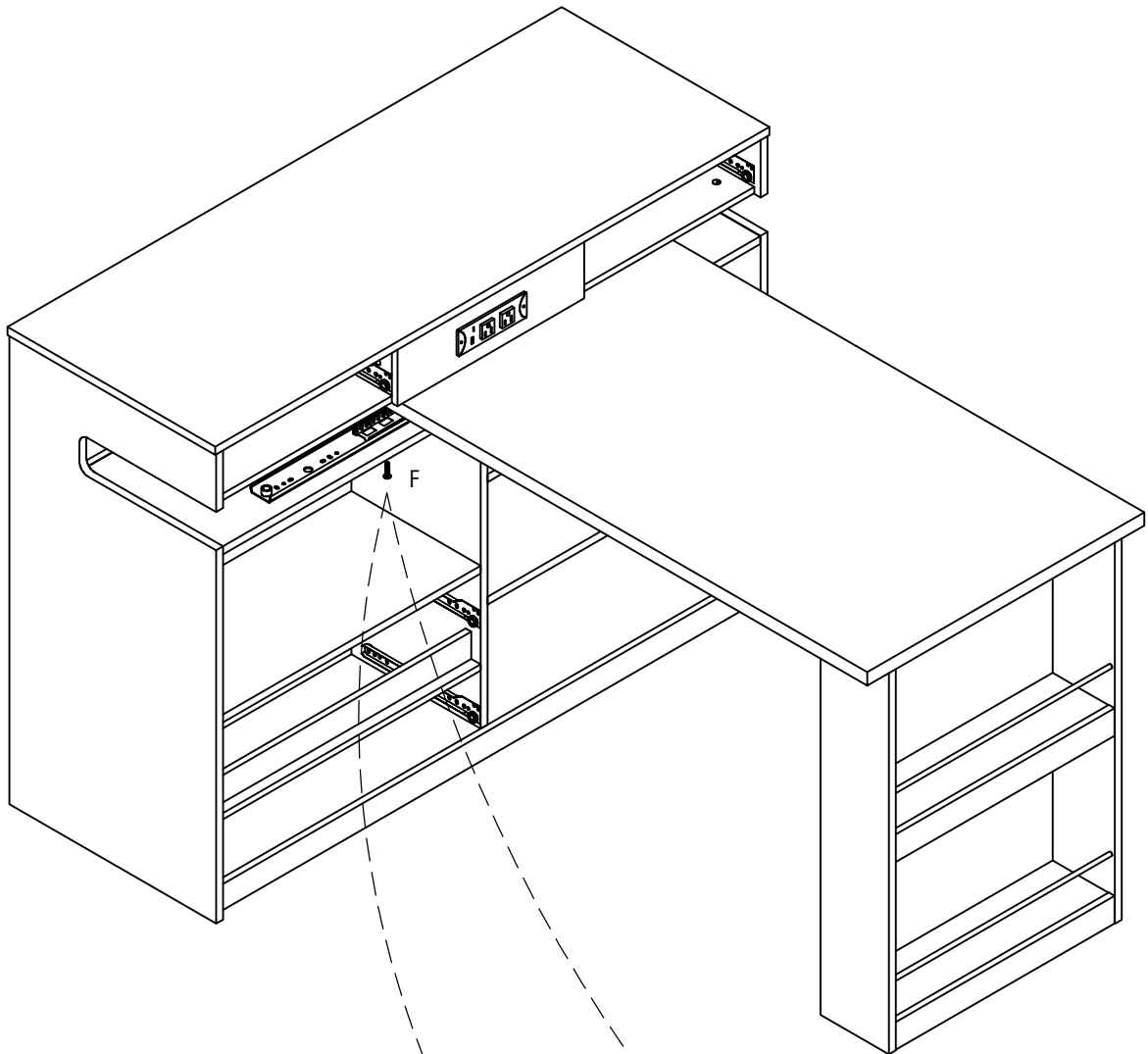
F M6*15
X2



Installation Steps


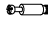



30 ▷

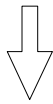
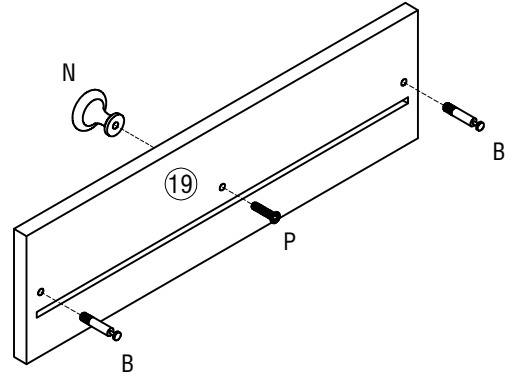
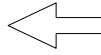
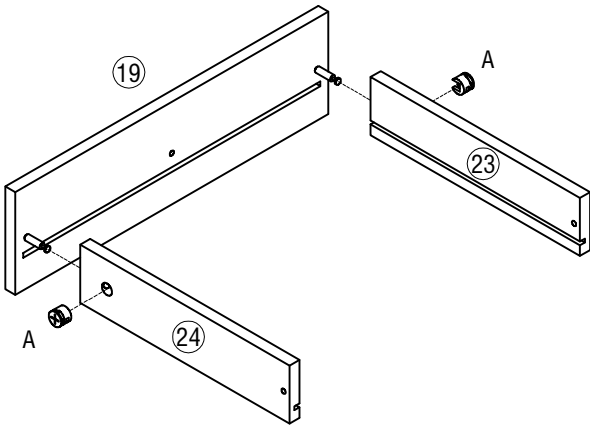
F M6*15
X2



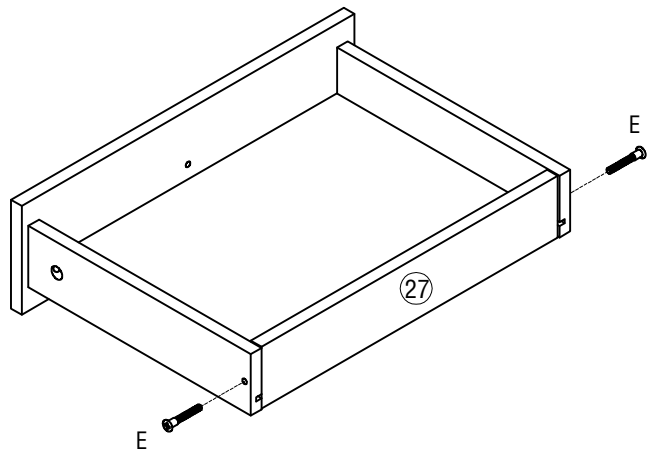
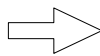
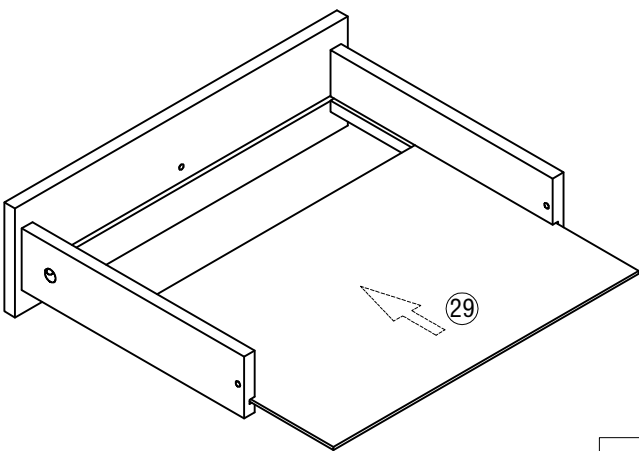
Installation Steps

31 ▶

| | | | | |
|---|--|---|---|---|
| A $\phi 12 \times 10$  X4 | B $\phi 7 \times 40$  X4 | E M5*40  X4 | N  X2 | P M4*16  X2 |
|---|--|---|---|---|


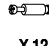



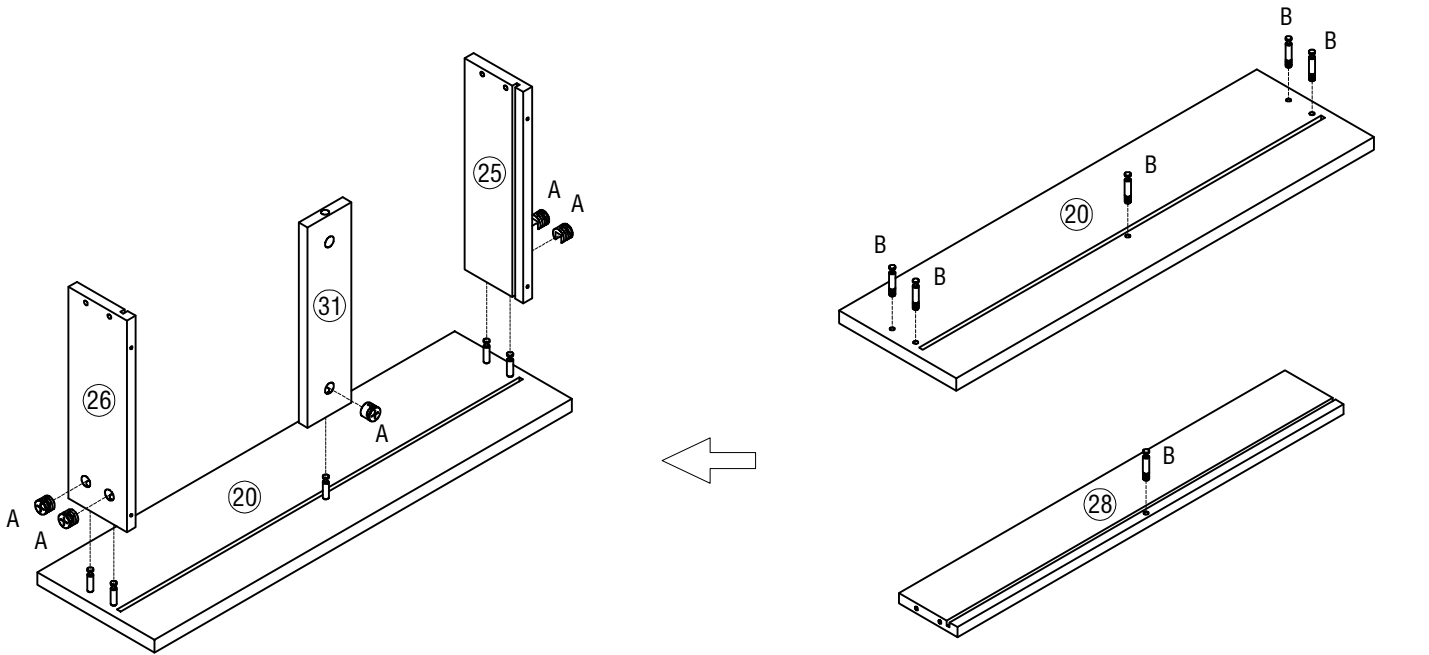
x 2



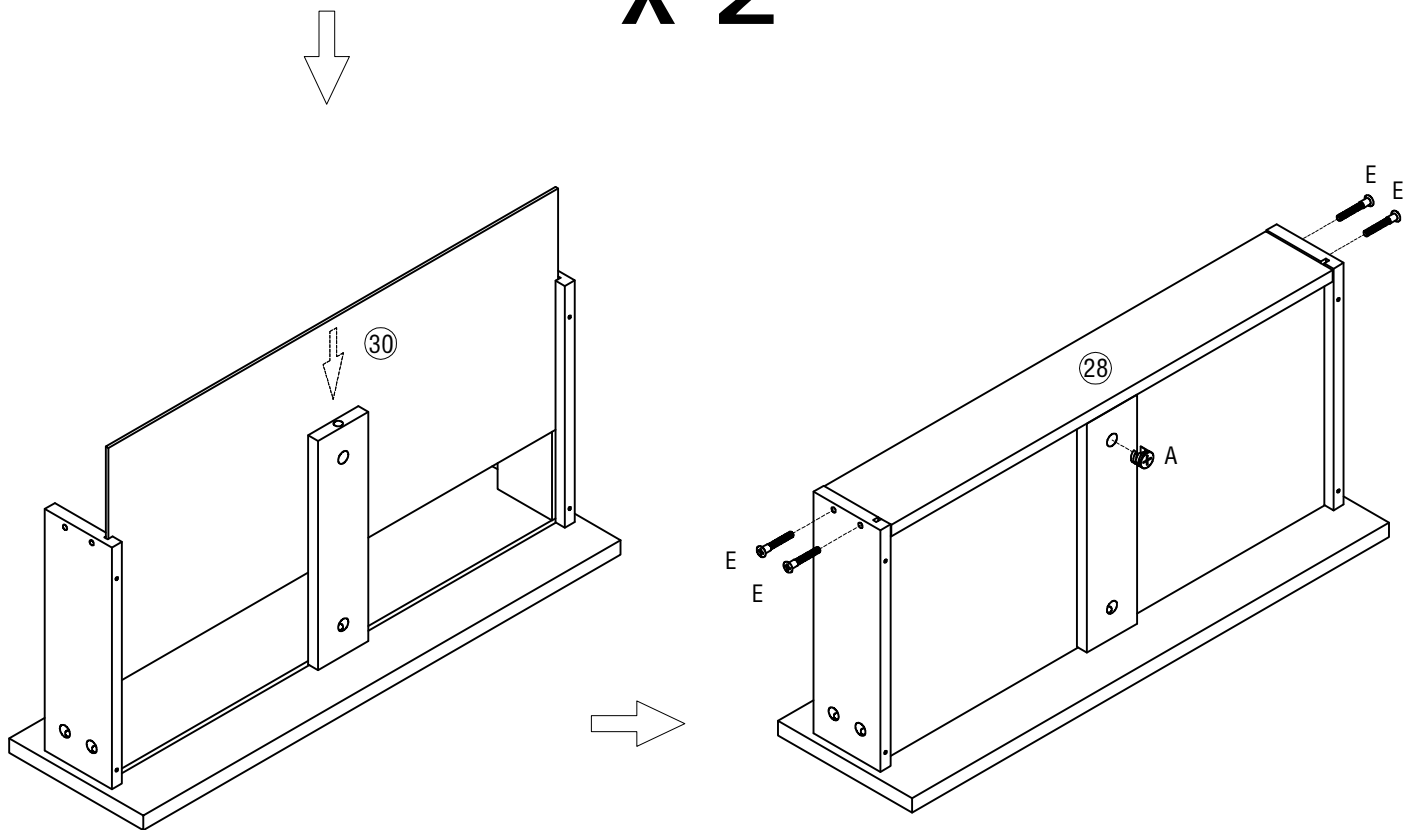
Installation Steps

32 ▶

| | | | | | |
|----------|---|----------|---|----------|---|
| A | $\phi 12 \times 10$ | B | $\phi 7 \times 40$ | E | M5 \times 40 |
| |  | |  | |  |
| | X 12 | | X 12 | | X 8 |

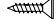
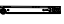


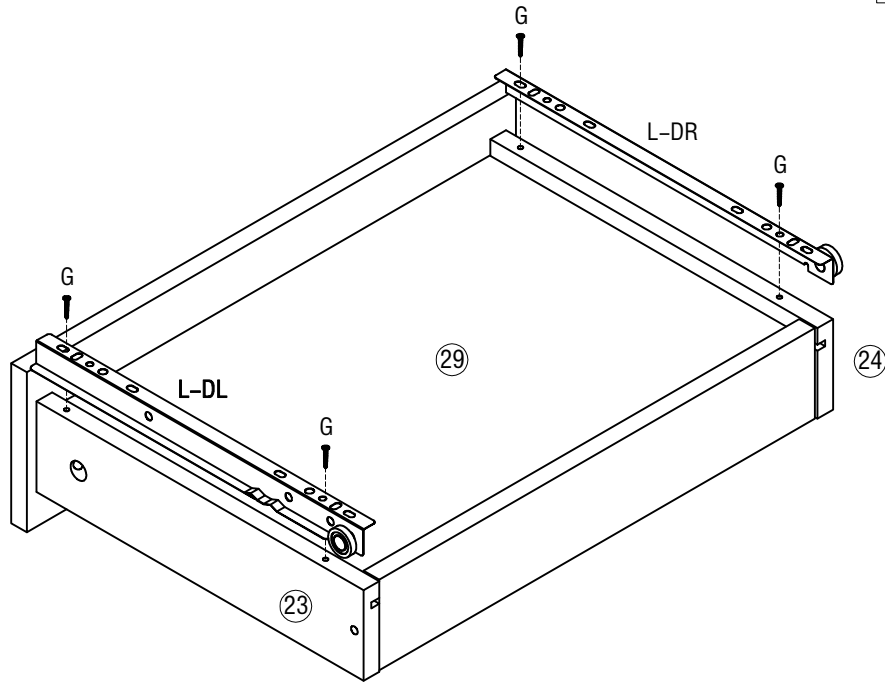
x 2



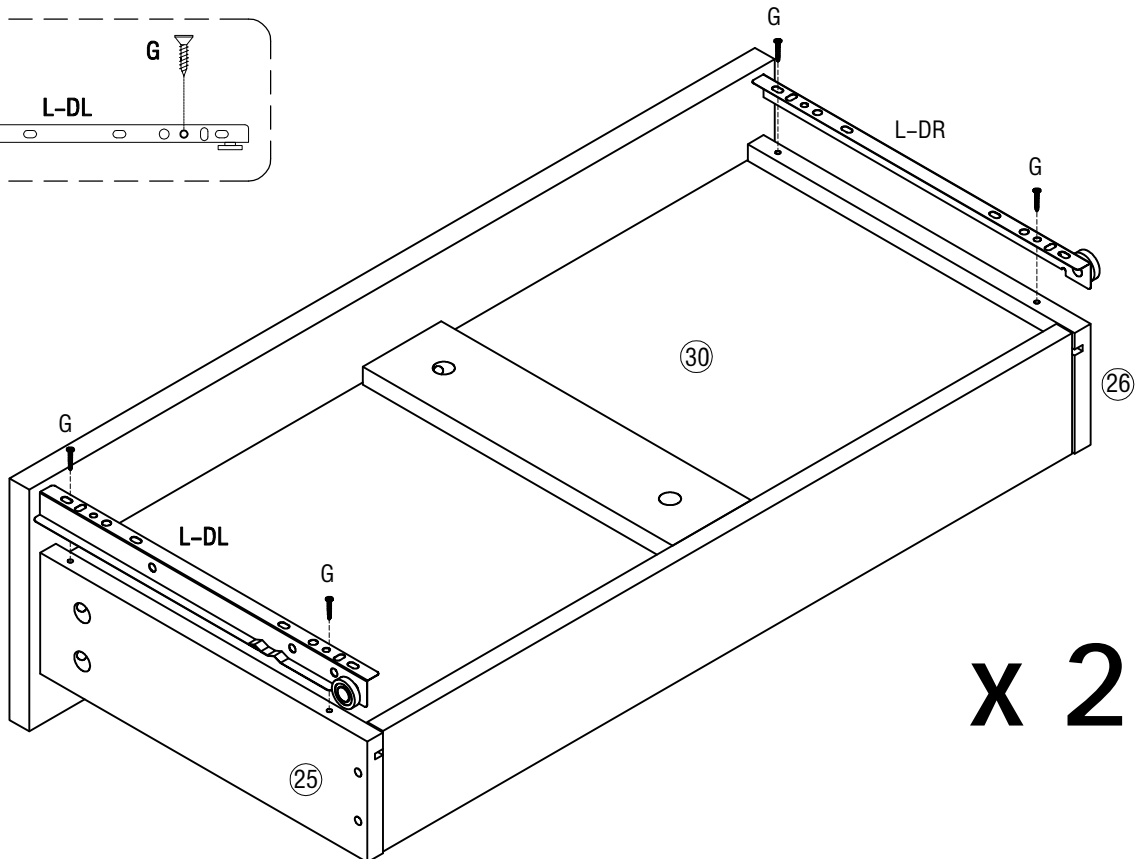
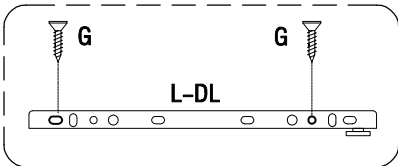
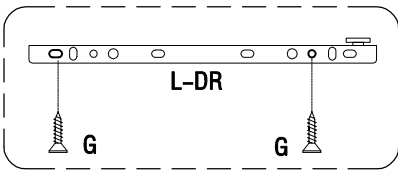
Installation Steps

33 ▶

| | | | |
|----------|---|----------|---|
| G | M3*12 | L | 10" |
| |  | |  |
| | X 16 | | X 8 |



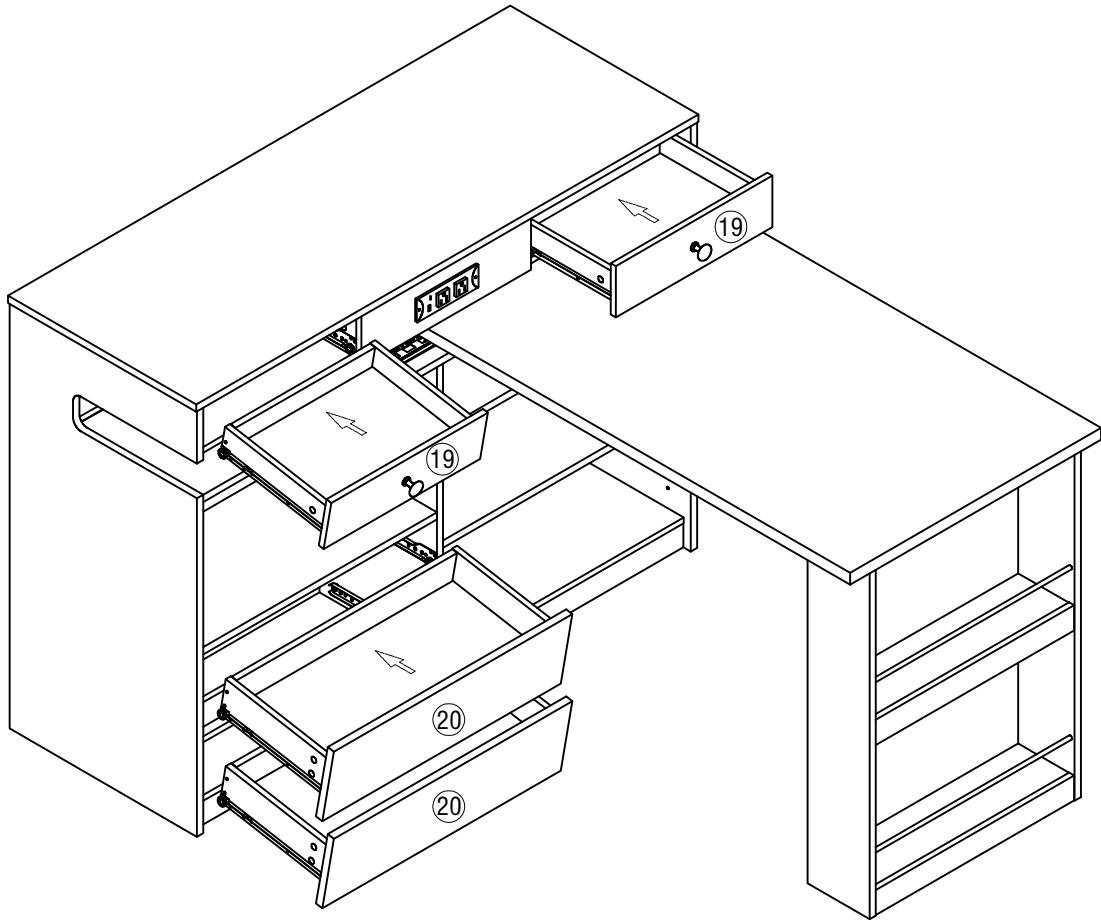
x 2



x 2

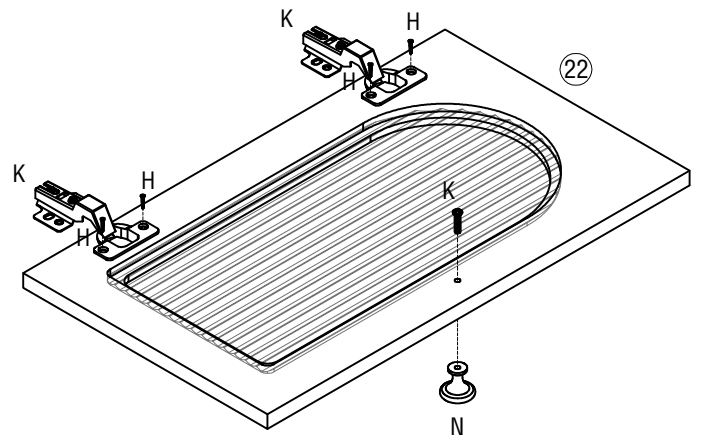
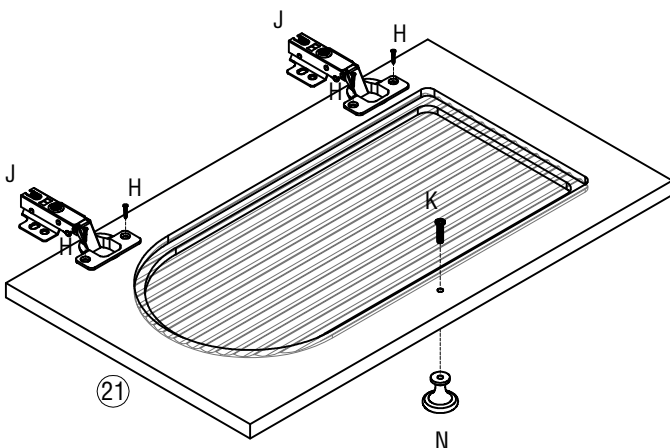
Installation Steps

34 ▶



35 ▶

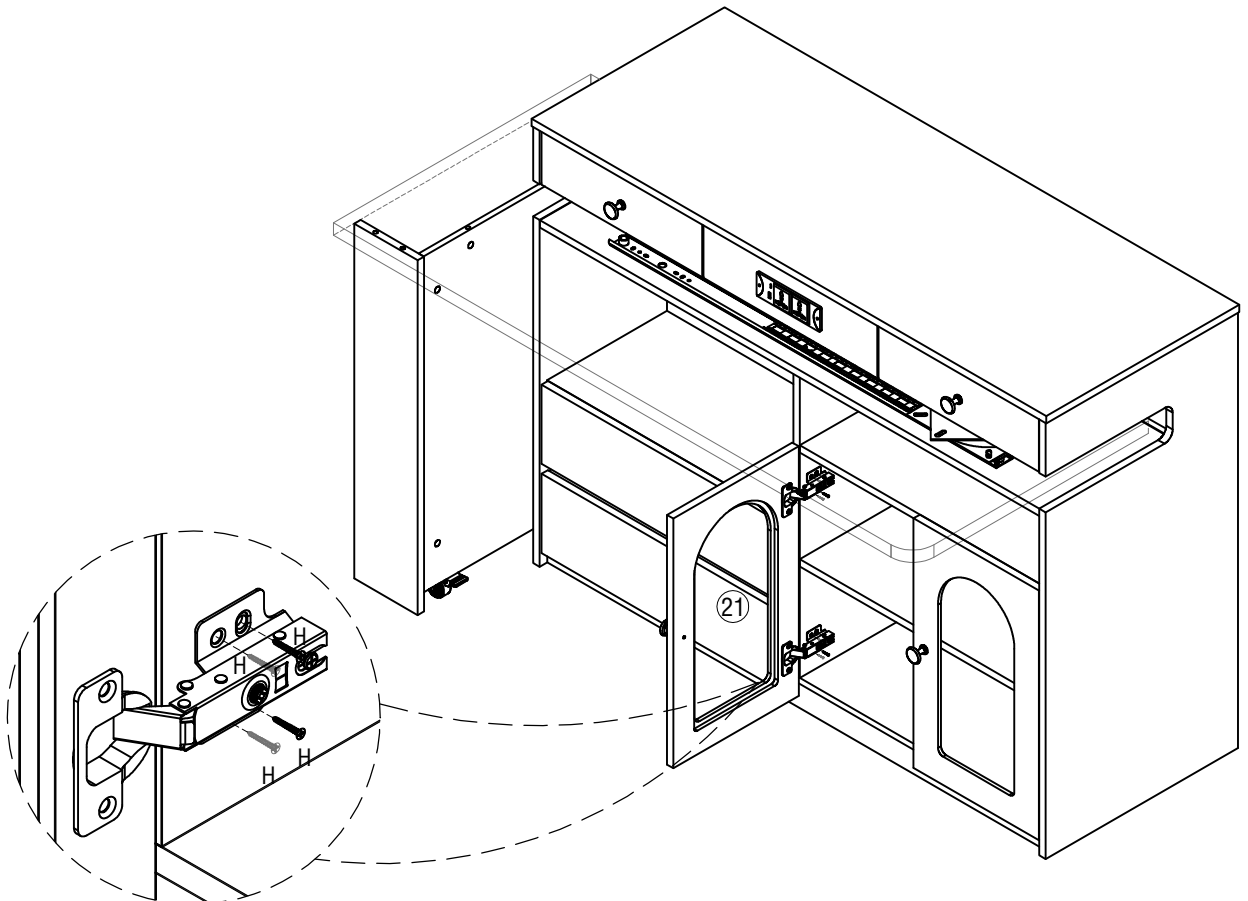
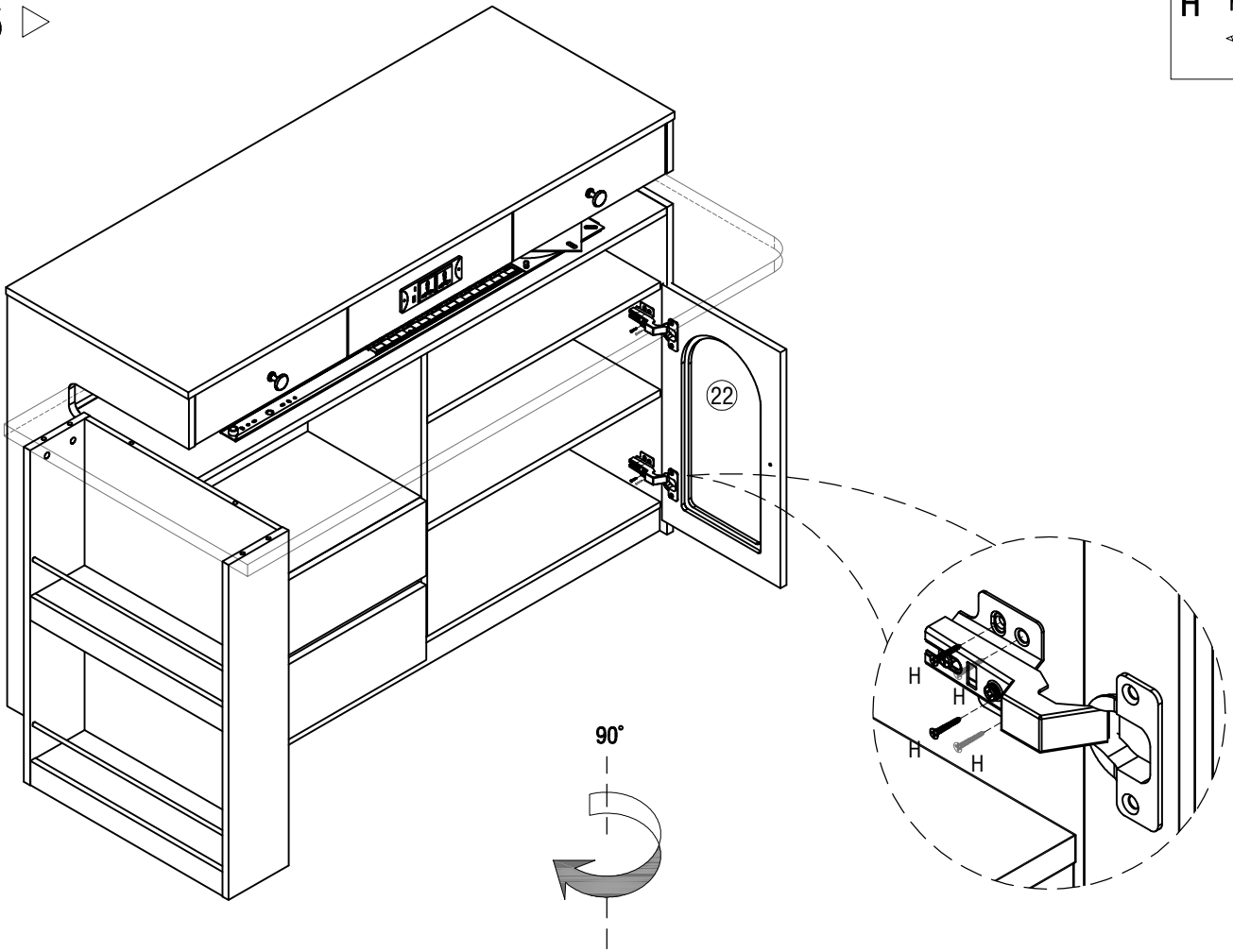
| | | | | | | | | | |
|----------|---|----------|---|----------|---|----------|---|----------|---|
| H | M4*14 | J | | K | | N | | Q | Ø4*18 |
| |  | |  | |  | |  | |  |
| | X8 | | X2 | | X2 | | X2 | | X2 |



Installation Steps

36 ▶

H M4*14
X 16



Installation Steps

37 ▶

