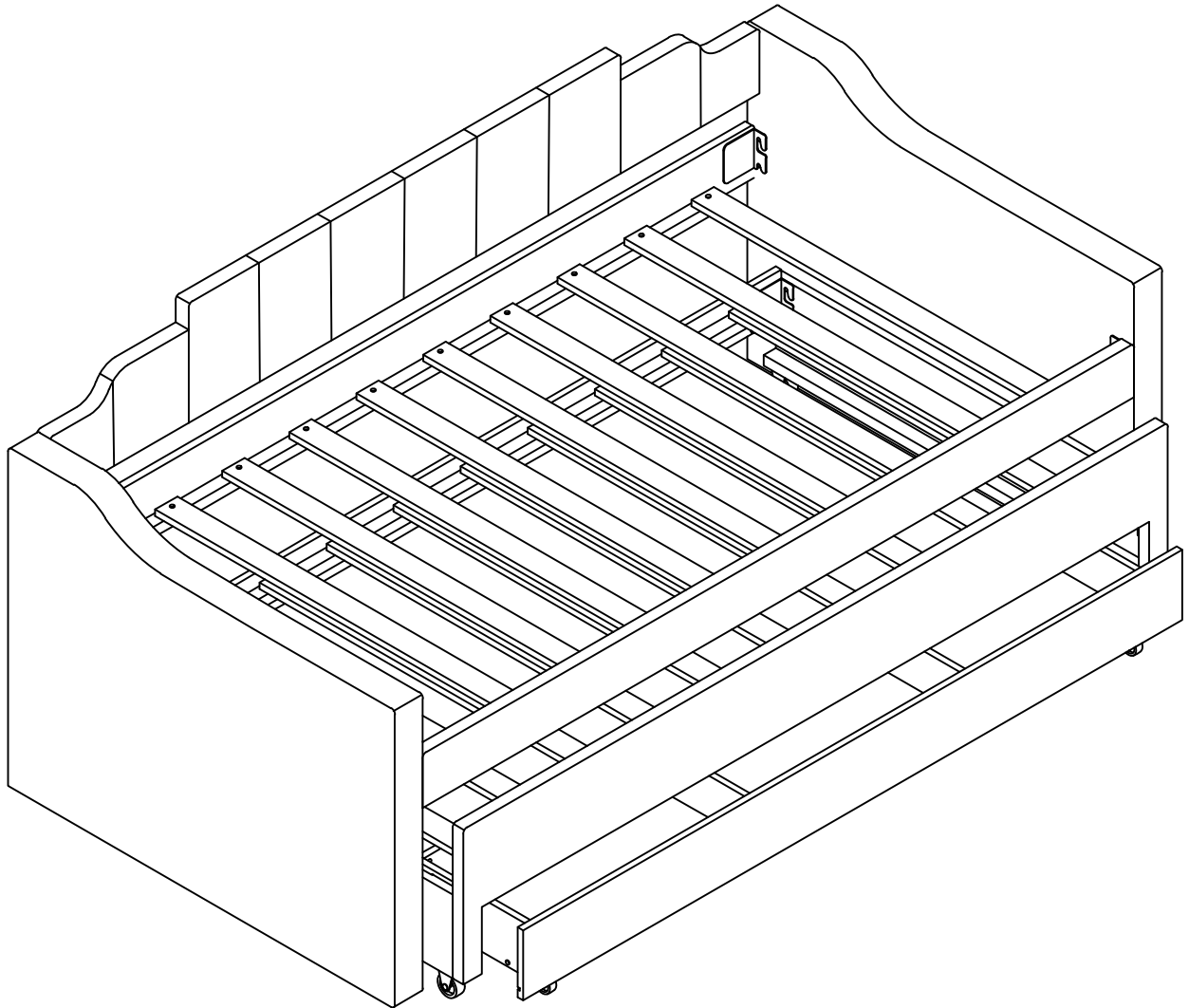


# ASSEMBLY INSTRUCTIONS



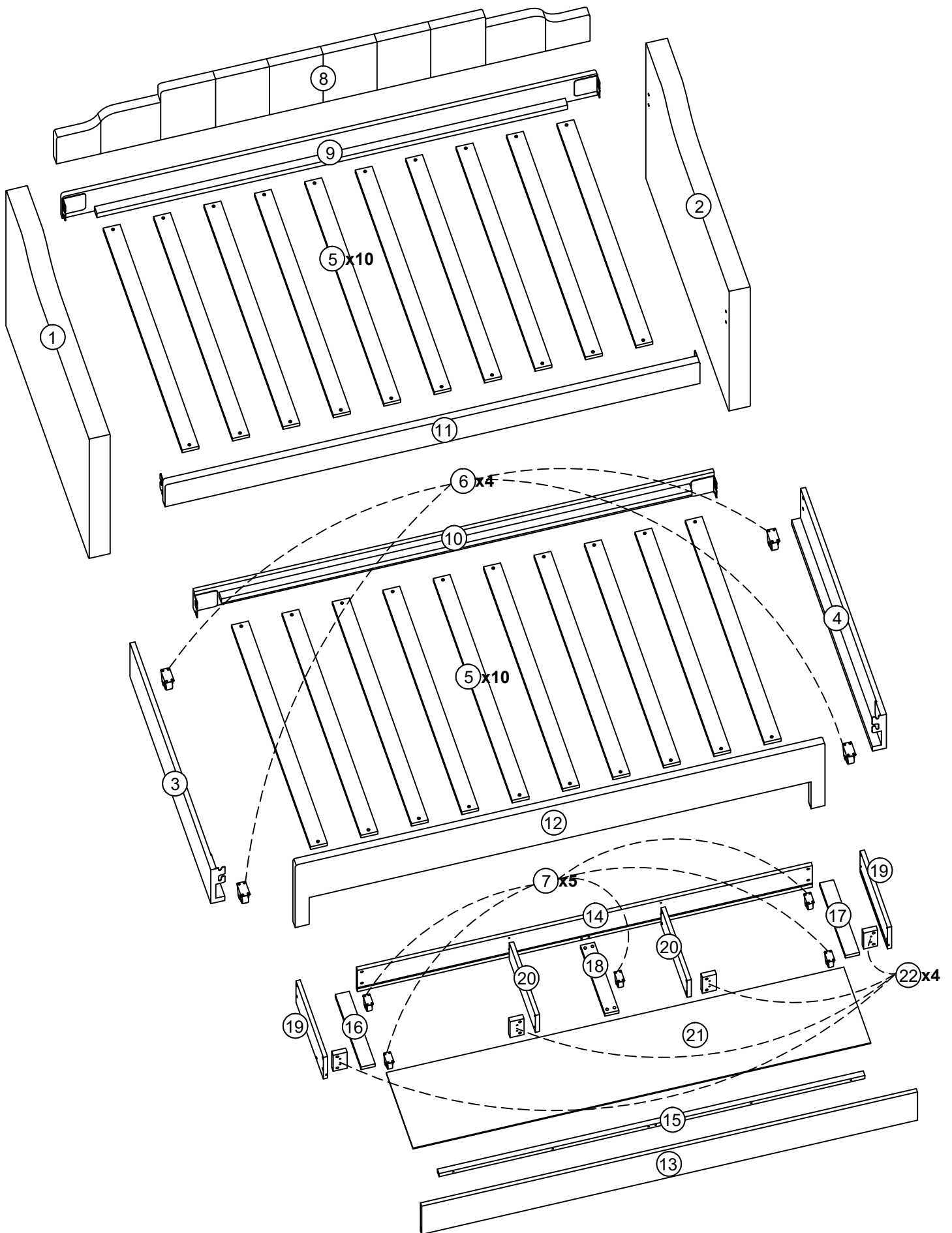
## IMPORTANT NOTE

**\*\*PLACE ALL PARTS ON A CLEAN AND SMOOTH SURFACE SUCH AS A RUG OR CARPET TO AVOID THE PARTS FROM BEING SCRATCHED**

**\*\* BEFORE YOU BEGIN , KINDY FOLLOW THE ASSEMBLY INSTRUCTIONS STEP BY STEP**

**\*\*DO NOT TIGHTEN ALL SCREWS AND BOLTS UNTIL THE BED IS FULLY SET-UP**

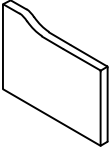
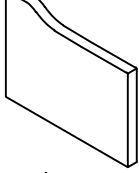





# ASSEMBLY INSTRUCTIONS



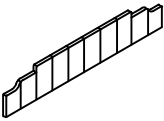



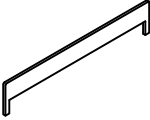
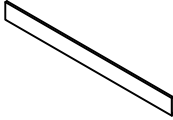
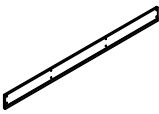
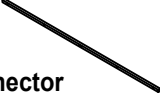
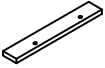

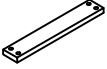
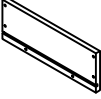
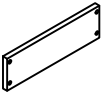
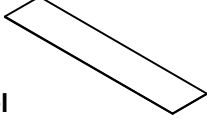

# ASSEMBLY INSTRUCTIONS

## PARTS IDENTIFICATION

### (BOX1)

1	Bed Left Panel		1pc	2	Bed Right Panel		1pc
3	Trundle Left End Panel		1pc	4	Trundle Right End Panel		1pc
5	Slat Roll		20pcs	6	Wheels 59x42x66mm		4pcs
7	Wheels 47x25x50mm		5pcs				

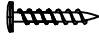
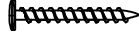
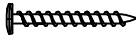






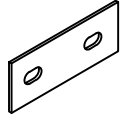
### (BOX2)

8	Headboard Panel		1pc	9	Left Upper Rail		1pc
10	Back Panel Trundle		1pc	11	Right Upper Rail		1pc
12	Front Panel Trundle		1pc	13	Drawer Front Panel		1pc
14	Drawer Back Panel		1pc	15	Long Drawer Bottom Connector		1pc
16	Left Trundle Board		1pc	17	Right Trundle Board		1pc
18	Drawer Bottom Connector		1pc	19	Drawer Side Panel		2pcs
20	Drawer Middle Connector		2pcs	21	Drawer Bottom Panel		1pc
22	Drawer Bottom Right Connector		4pcs				

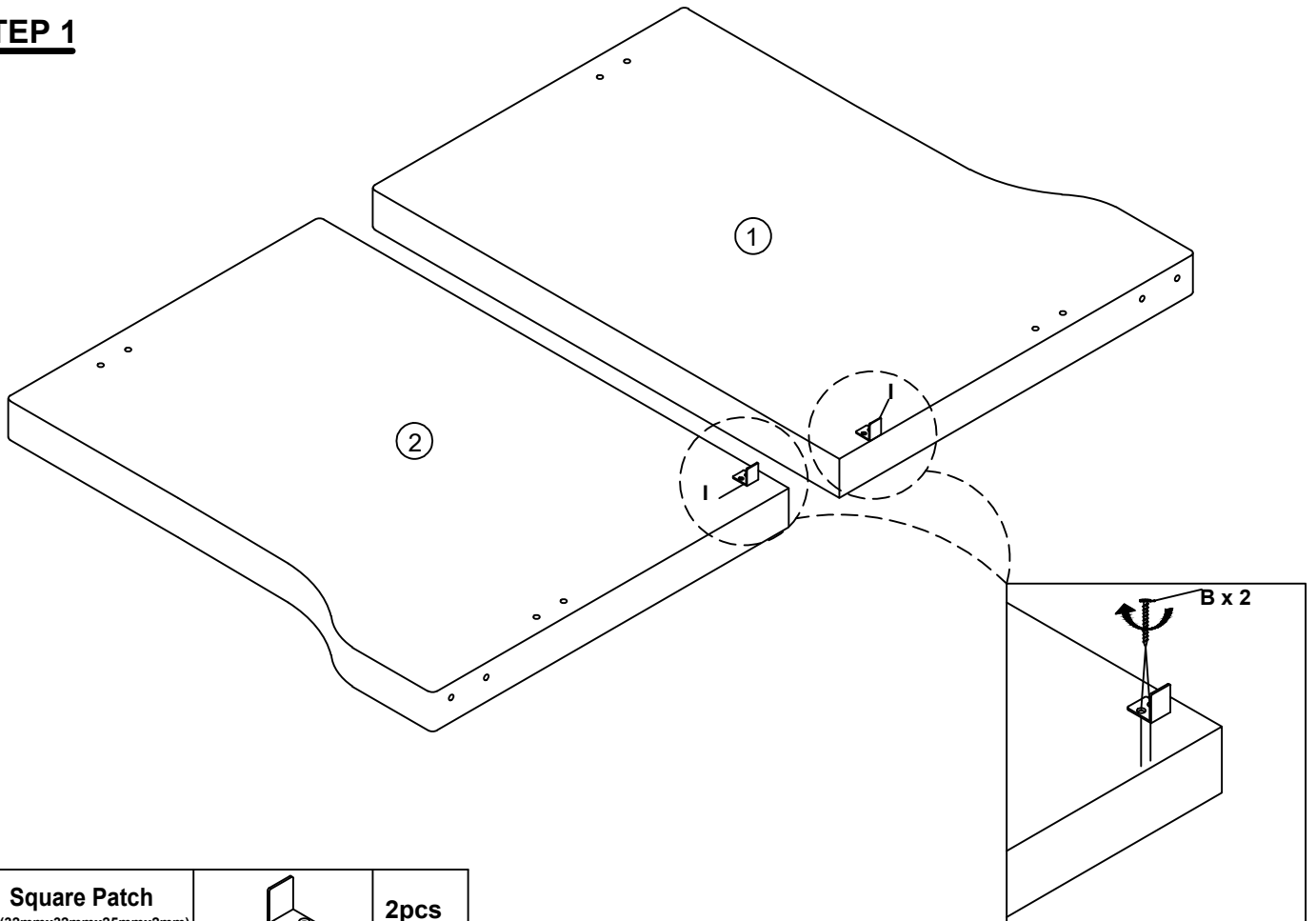
# ASSEMBLY INSTRUCTIONS


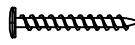
## HARDWARE IDENTIFICATION

### HARDWARES IN

<b>A</b>	<b>Flat Head Screw</b> (m4x15mm-RBW)		<b>36pcs</b>	<b>B</b>	<b>Flat Head Screw</b> (m4x30mm-RBW)		<b>56pcs</b>
<b>C</b>	<b>Flat Head Screw</b> (m4x38mm-RBW)		<b>24pcs</b>	<b>D</b>	<b>Plastic Button</b> (Ø10x10mmx10mm)		<b>24pcs</b>
<b>E</b>	<b>Bolt</b> (Ø 5/16 "x25mm)		<b>24pcs</b>	<b>F</b>	<b>Spring Washer</b> (Ø 5/16 " -RBW)		<b>24pcs</b>
<b>G</b>	<b>Flat Washer</b> (Ø 5/16 " -RBW)		<b>24pcs</b>	<b>H</b>	<b>Allen Wrench</b> (M4x75mm x32mm)		<b>1pc</b>
<b>I</b>	<b>Square Patch</b> (32mmx32mmx25mmx2mm)		<b>2pcs</b>	<b>K</b>	<b>Patch</b> (100mmx40mmx2mm)		<b>4pcs</b>

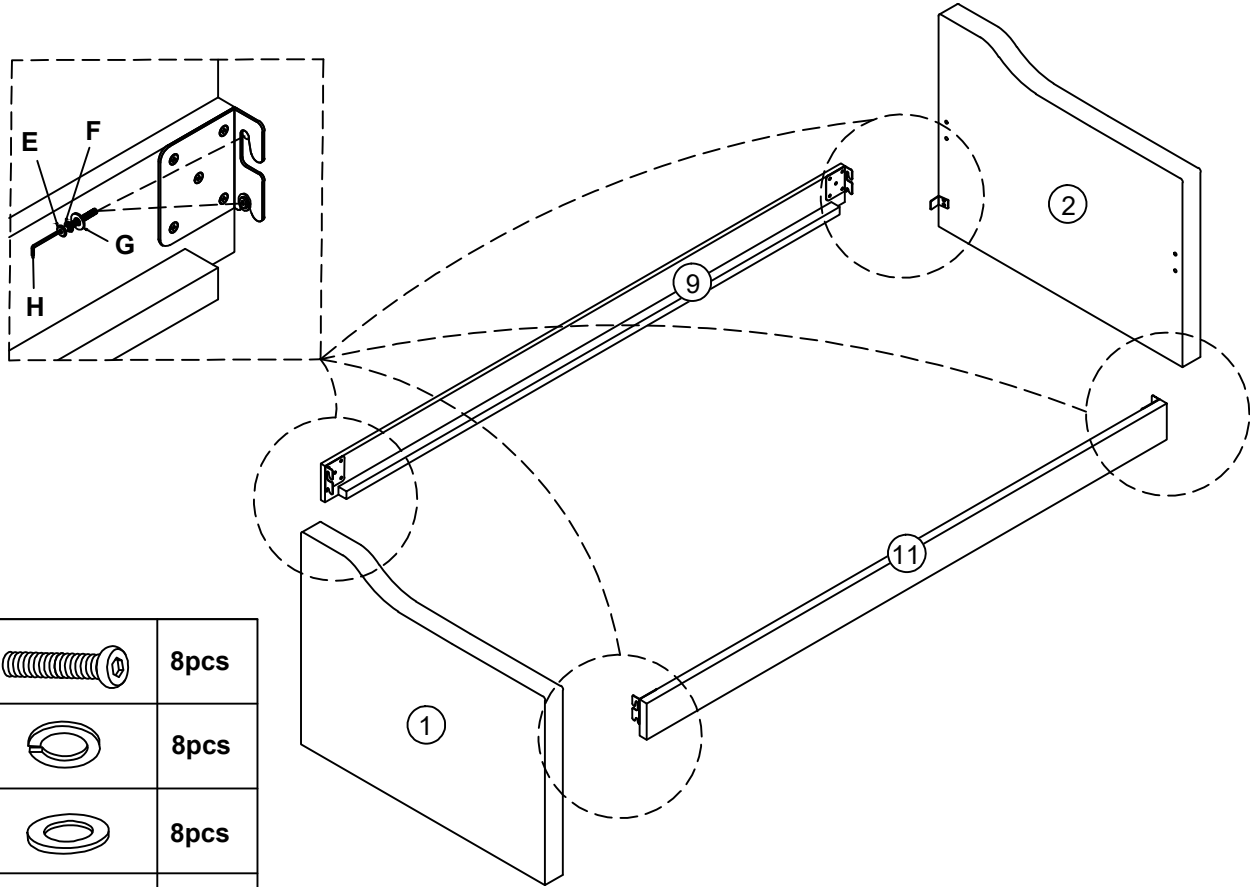
### STEP 1







<b>I</b>	<b>Square Patch</b> (32mmx32mmx25mmx2mm)		<b>2pcs</b>
<b>B</b>	<b>Flat Head Screw</b> (m4x30mm-RBW)		<b>4pcs</b>

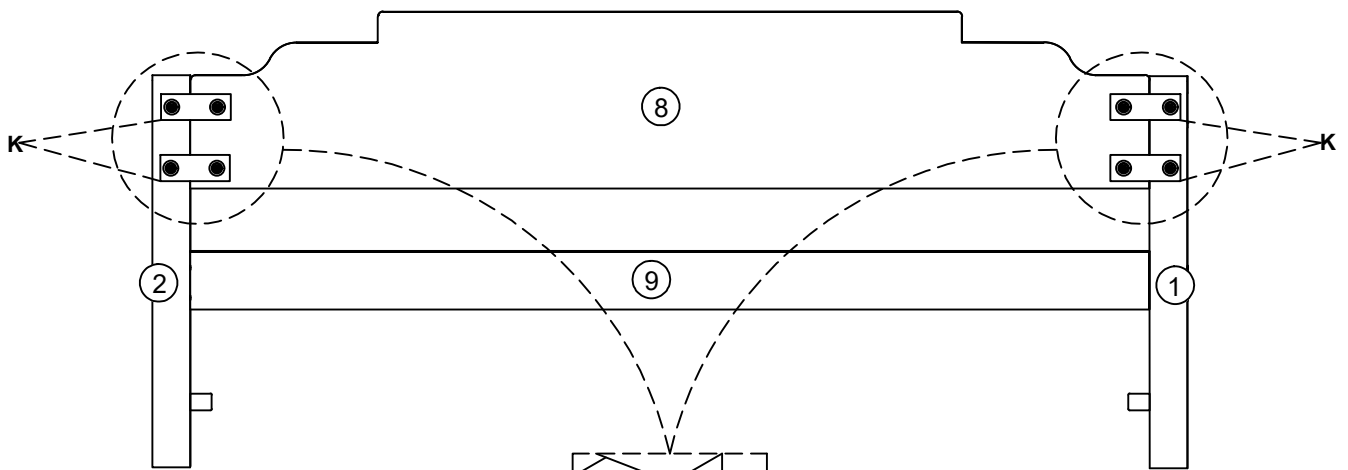
# ASSEMBLY INSTRUCTIONS





## STEP 2




E	<b>Bolt</b> (Ø 5/16 "X25mm)		8pcs
F	<b>Spring Washer</b> (Ø 5/16 "-RBW)		8pcs
G	<b>Flat Washer</b> (Ø 5/16 "-RBW)		8pcs
H	<b>Allen Wrench</b> (M5x75mm x32mm)		1pc

## STEP 3

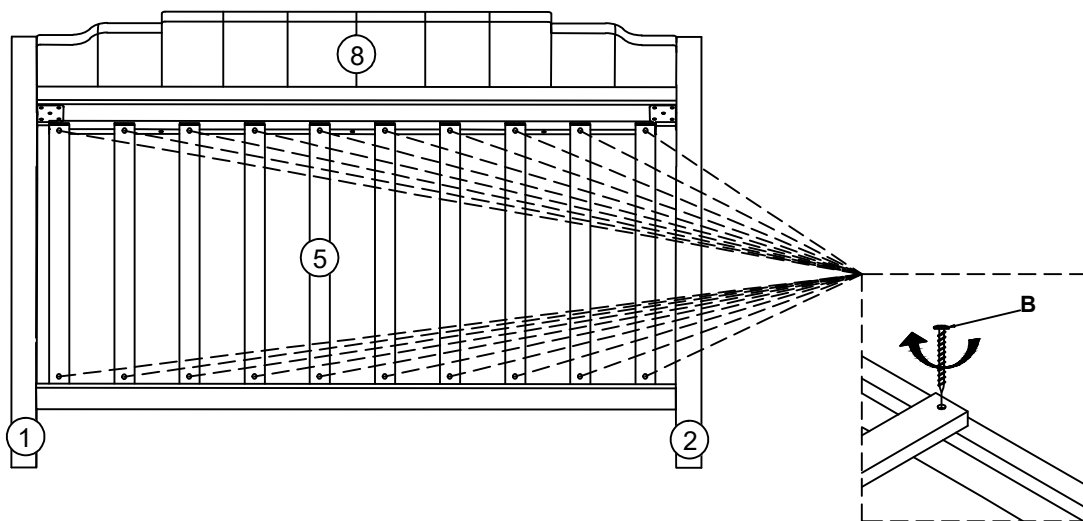


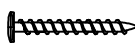
E	<b>Bolt</b> (Ø 5/16 "X25mm)		8pcs
F	<b>Spring Washer</b> (Ø 5/16 "-RBW)		8pcs
G	<b>Flat Washer</b> (Ø 5/16 "-RBW)		8pcs
H	<b>Allen Wrench</b> (M4x75mm x32mm)		1pc

K	<b>Patch</b> (100mmx40mmx2mm)		4pcs
---	----------------------------------	---	------

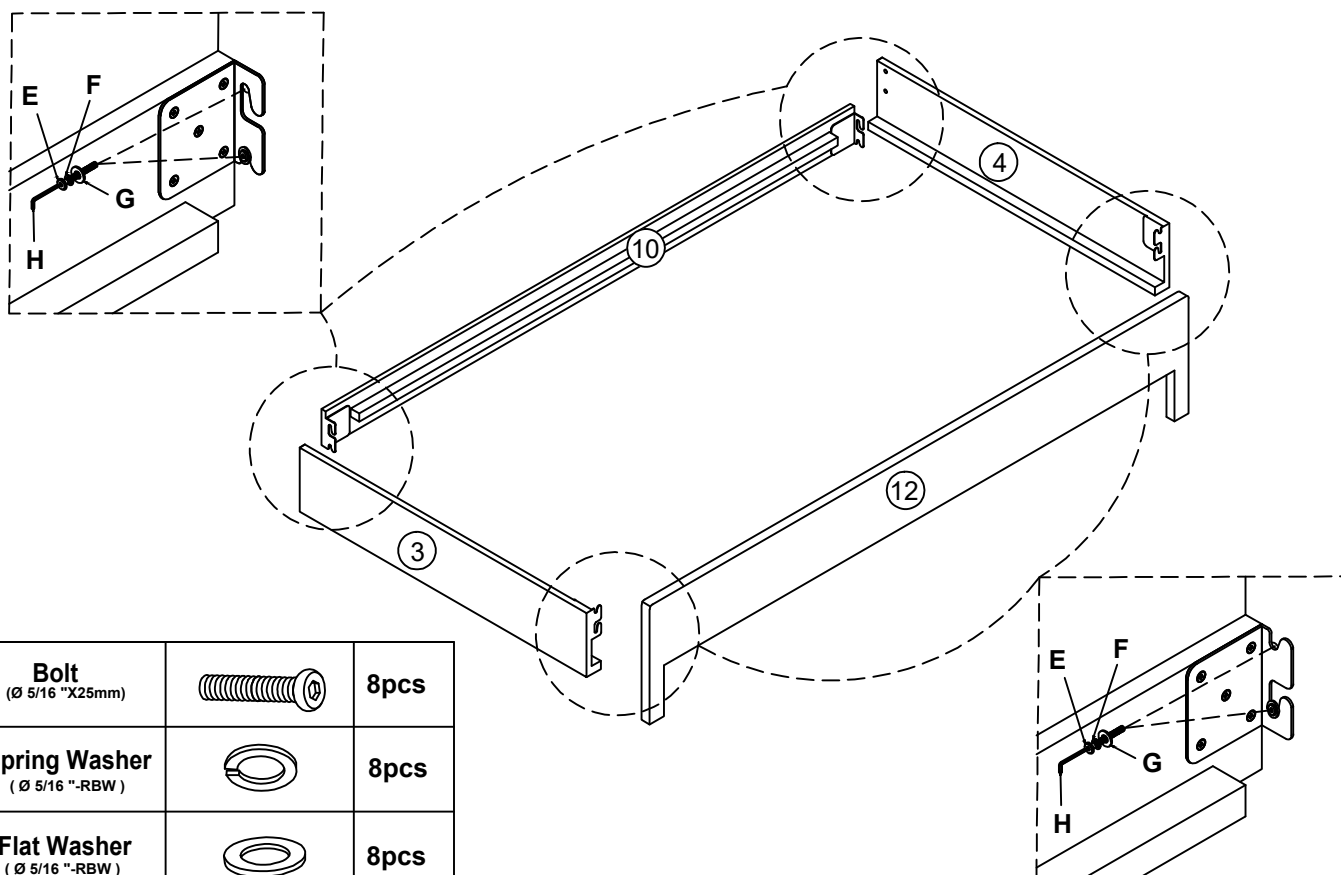
# ASSEMBLY INSTRUCTIONS





## STEP 4



B	Flat Head Screw (m4x30mm-RBW)		20pcs
---	----------------------------------	---	-------

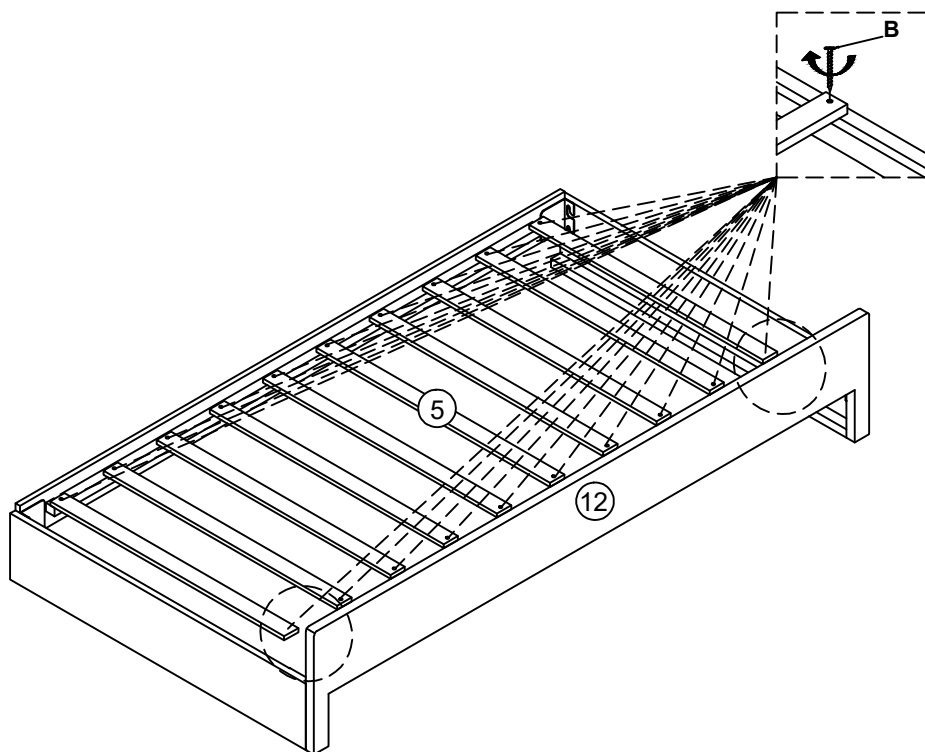
## STEP 5

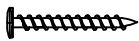


E	Bolt (Ø 5/16 "X25mm)		8pcs
F	Spring Washer (Ø 5/16 "-RBW)		8pcs
G	Flat Washer (Ø 5/16 "-RBW)		8pcs
H	Allen Wrench (M5x75mm x32mm)		1pc

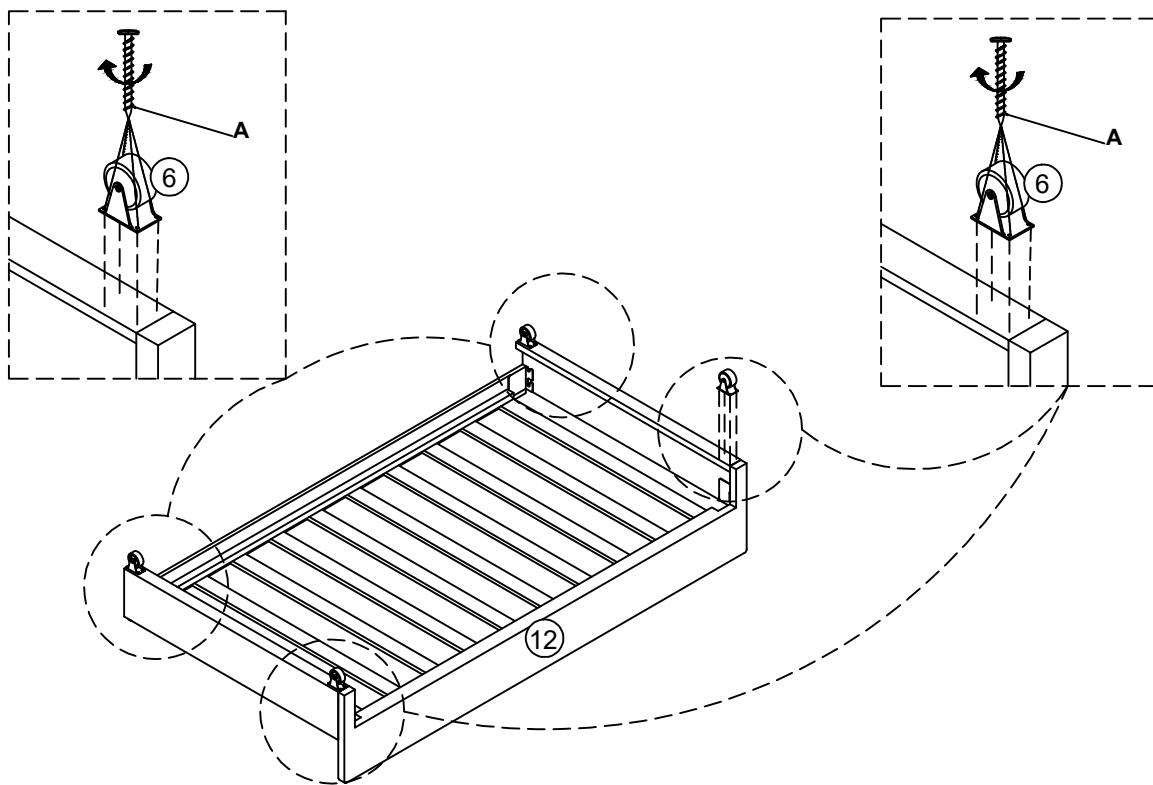
# ASSEMBLY INSTRUCTIONS

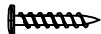
## STEP 6



<b>B</b>	<b>Flat Head Screw</b> (m4x30mm-RBW)		<b>20pcs</b>
----------	---	---	--------------

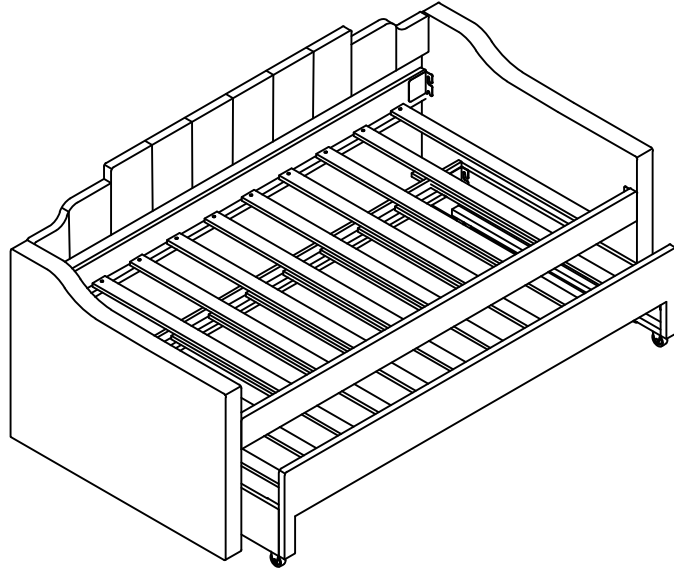
## STEP 7



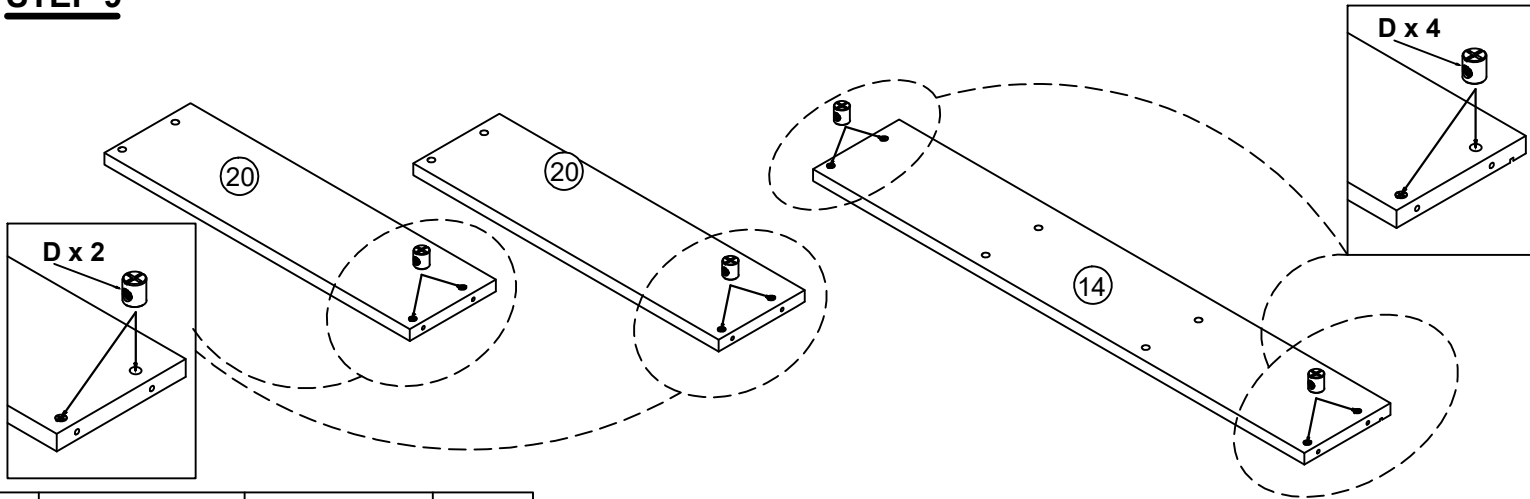
<b>A</b>	<b>Flat Head Screw</b> (m4x15mm-RBW)		<b>16pcs</b>
----------	---	---	--------------

# ASSEMBLY INSTRUCTIONS

## STEP 8



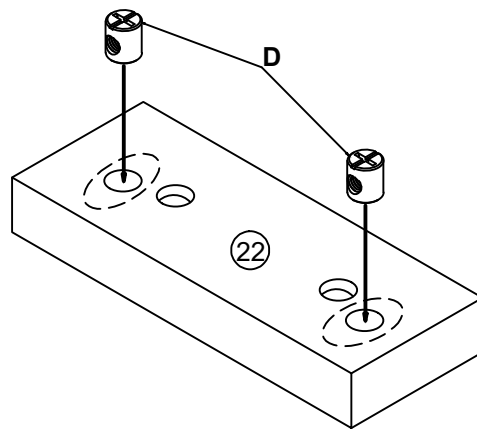
## STEP 9



D	Plastic Button (Ø10x10mmx10mm)		8pcs
---	-----------------------------------	---	------

## STEP 10

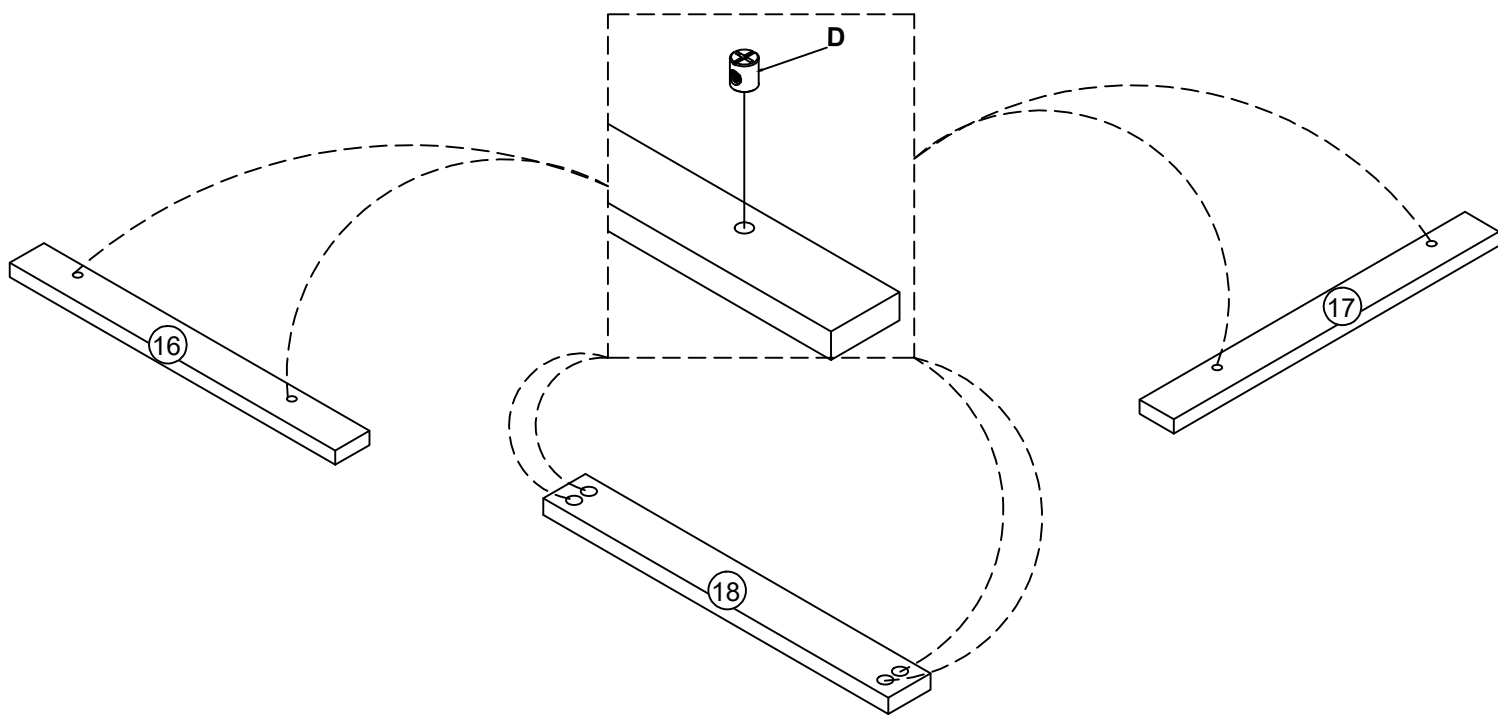
**x4**



D	Plastic Button (Ø10x10mmx10mm)		8pcs
---	-----------------------------------	---	------

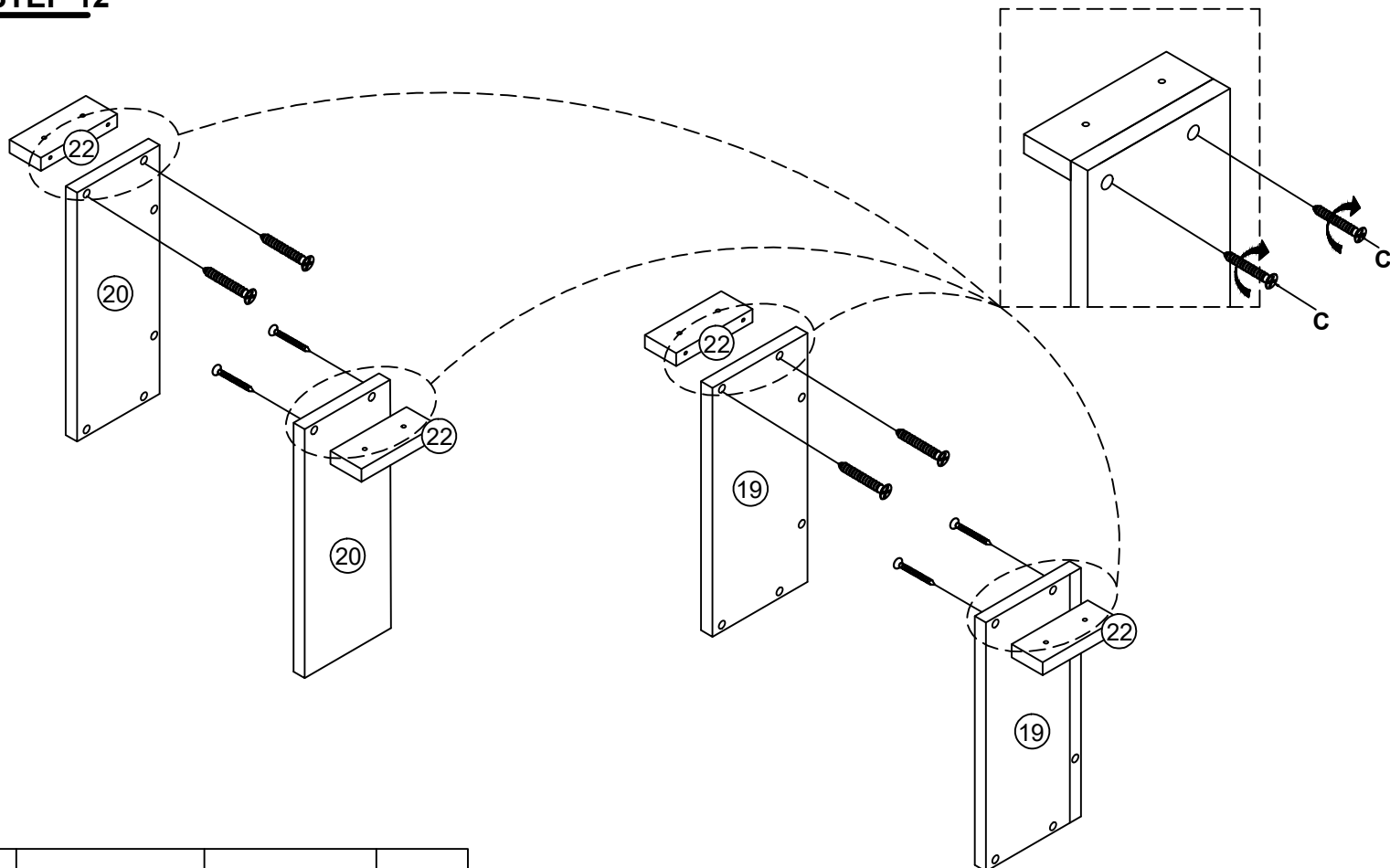
# ASSEMBLY INSTRUCTIONS

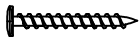
## STEP 11



D	Plastic Button (Ø10x10mmx10mm)		8pcs
---	-----------------------------------	---	------

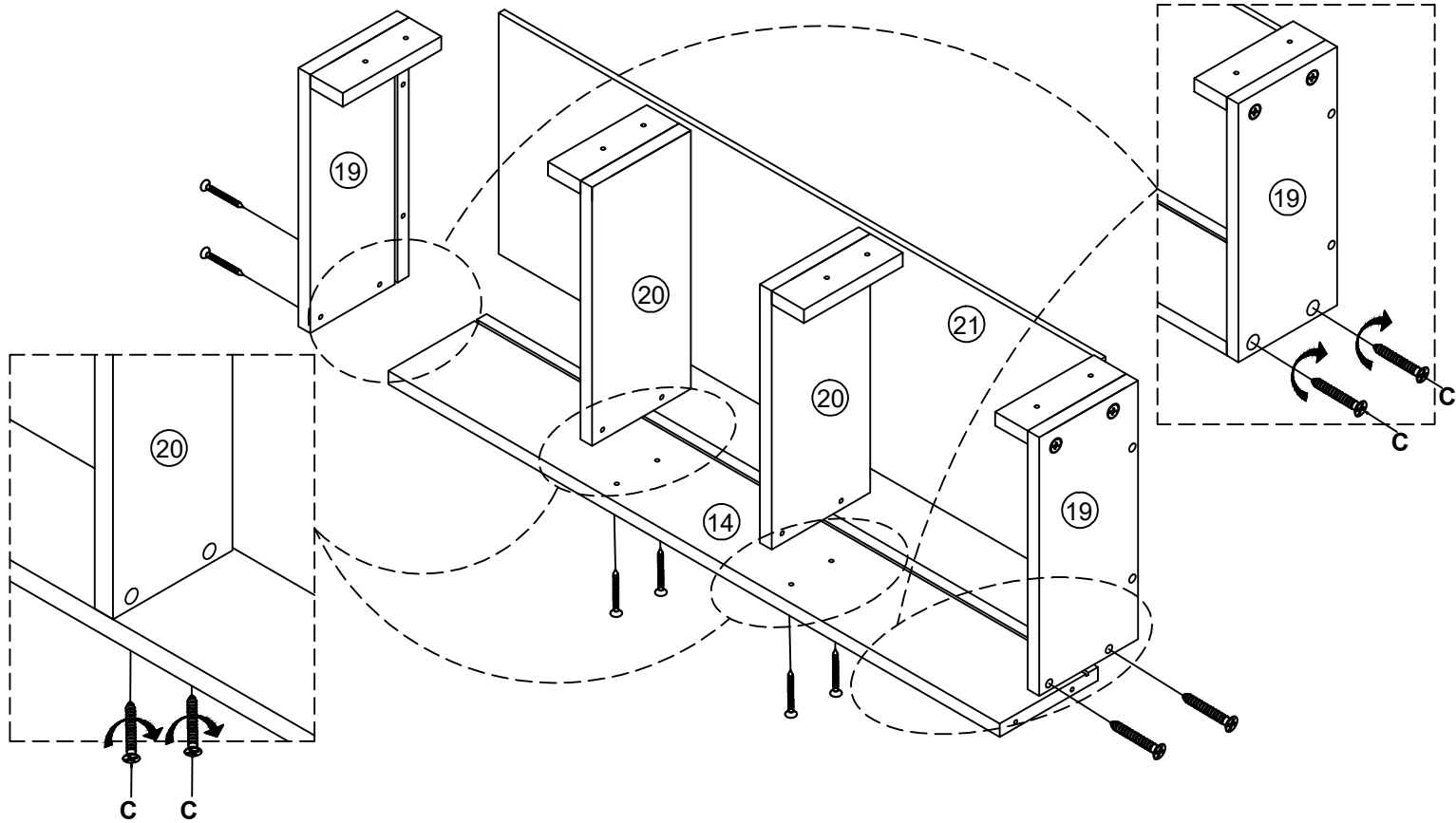
## STEP 12

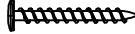


C	Flat Head Screw (m4x38mm-RBW)		8pcs
---	----------------------------------	---	------

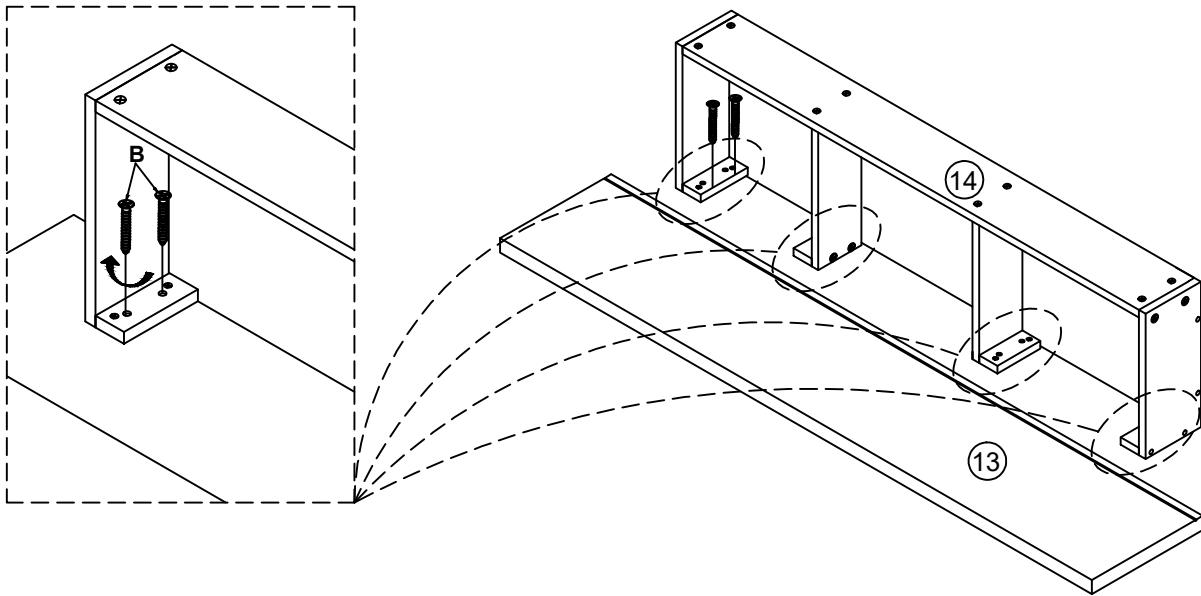
# ASSEMBLY INSTRUCTIONS

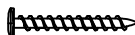
## STEP 13



C	Flat Head Screw (m4x38mm-RBW)		8pcs
---	----------------------------------	---	------

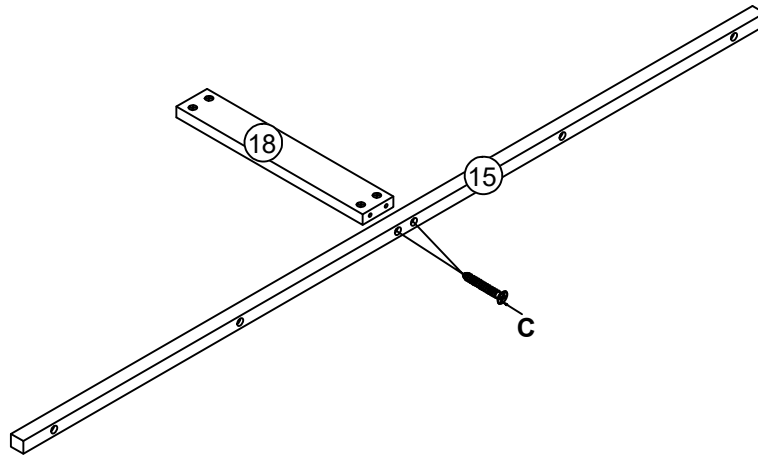
## STEP 14

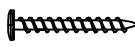


B	Flat Head Screw (m4x30mm-RBW)		8pcs
---	----------------------------------	---	------

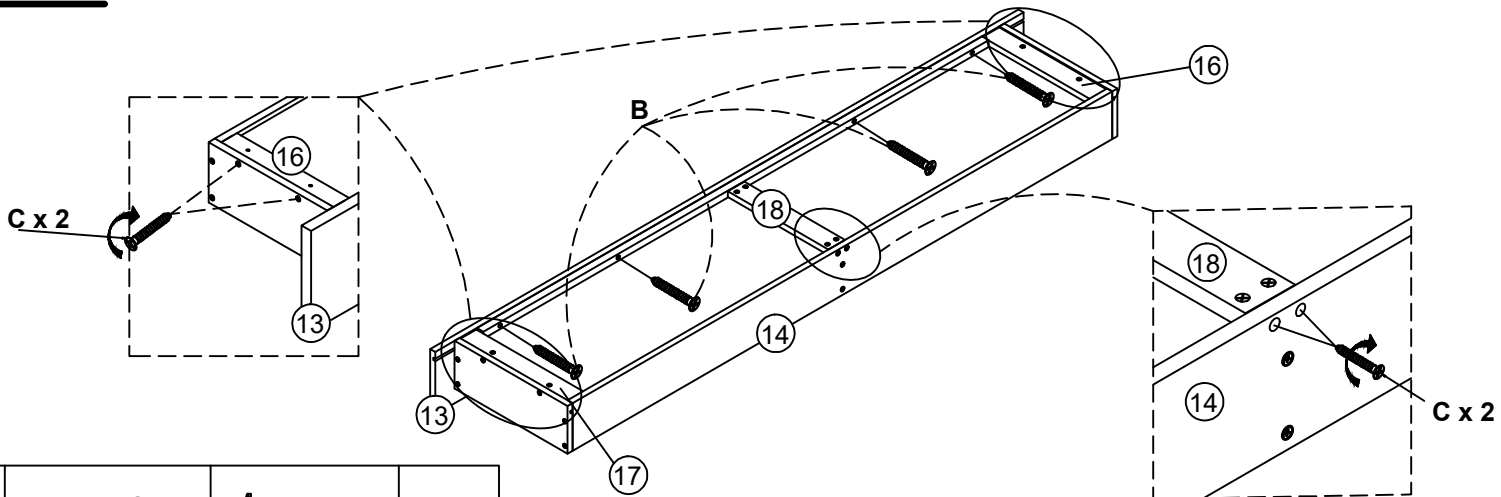
# ASSEMBLY INSTRUCTIONS

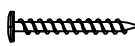
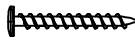
## STEP 15



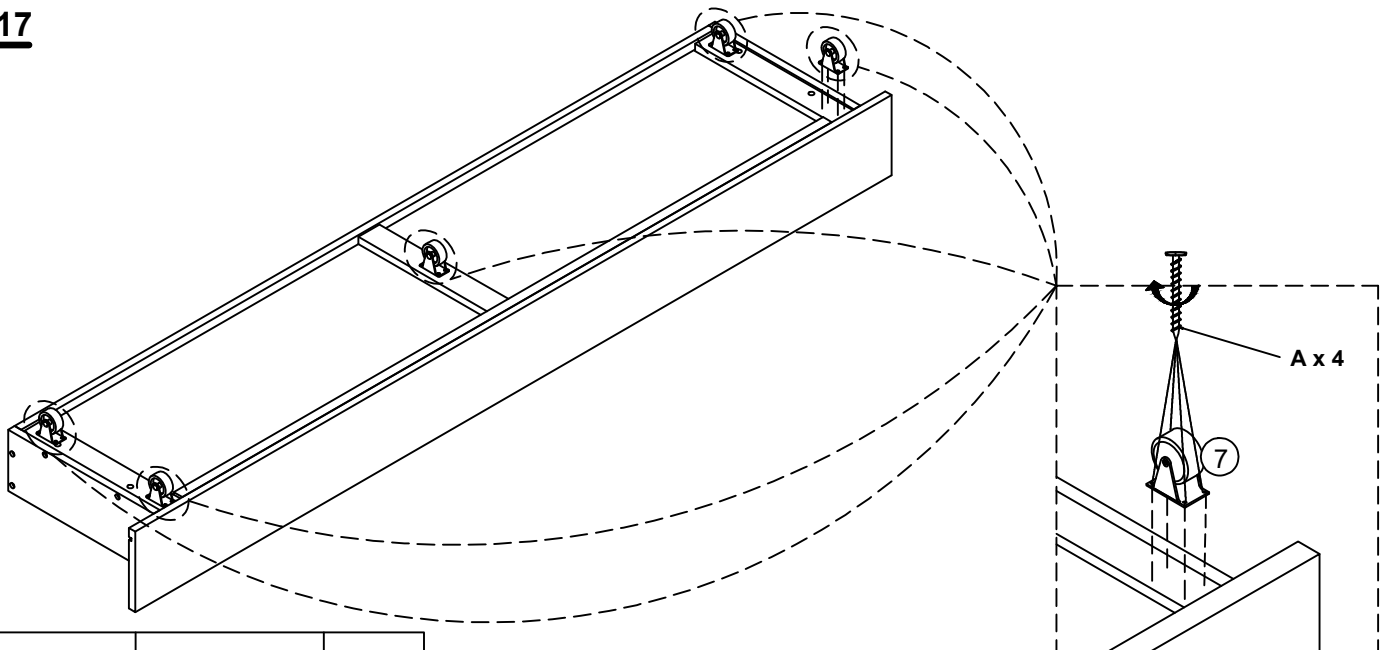
C	Flat Head Screw (m4x38mm-RBW)		2pcs
---	----------------------------------	---	------

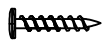
## STEP 16



B	Flat Head Screw (m4x30mm-RBW)		4pcs
C	Flat Head Screw (m4x38mm-RBW)		6pcs

## STEP 17



A	Flat Head Screw (m4x15mm-RBW)		20pcs
---	----------------------------------	---	-------

# ASSEMBLY INSTRUCTIONS

**STEP 18**  
**COMPLETE**

