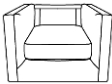




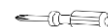
ASSEMBLY INSTRUCTIONS

MODEL: LG-9803 CHAIR

LIST OF PARTS

NO.	Description	Item	Quantity	NO.	Description	Item	Quantity
A	SEAT		1 PC	B	BACK CUSHION		1 PC
C	PLASTIC LEGS		4 PCS				

Please identify and locate all assembly parts (see parts list) before discarding any packing materials. Some parts may have become loose during transit.

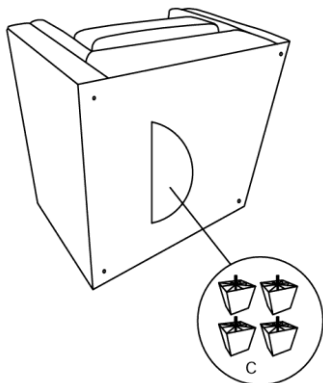


Not Included

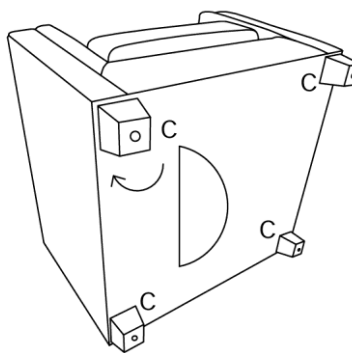
Note: Do not use power tools for assembly. Power tools increase the risk of over tightening which lead to splitting or cracking the wood.

ASSEMBLY INSTRUCTIONS

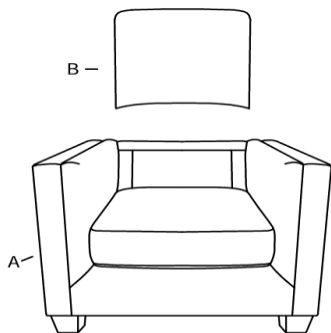
STEP 1: Take out carefully the Parts from the packing.



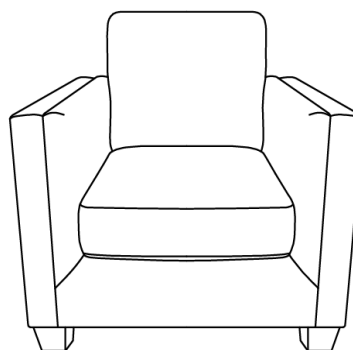
STEP 2: Assemble the legs



STEP 3: Put the back cushion.



STEP 4: Complete



WARNINGS

- Do not stand or jump on any portion of the sofa , whether in the open or closed position.
- For indoor use only.
- Please do not expose to direct sunlight.
- Do not allow electrical components to come into contact with any liquids.