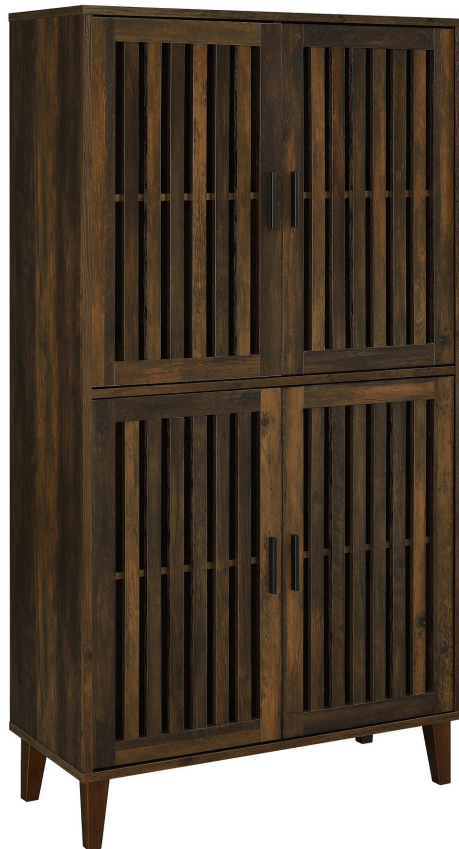


ASSEMBLY INSTRUCTIONS



ACCENT CABINET

ASSEMBLY INSTRUCTIONS

ASSEMBLY TIPS:

1. Remove hardware from box and sort by size.
2. Please check to see that all hardware and parts are present prior to start of assembly.
3. Please follow attached instructions in the same sequence as numbered to assure fast & easy assembly.



WARNING!

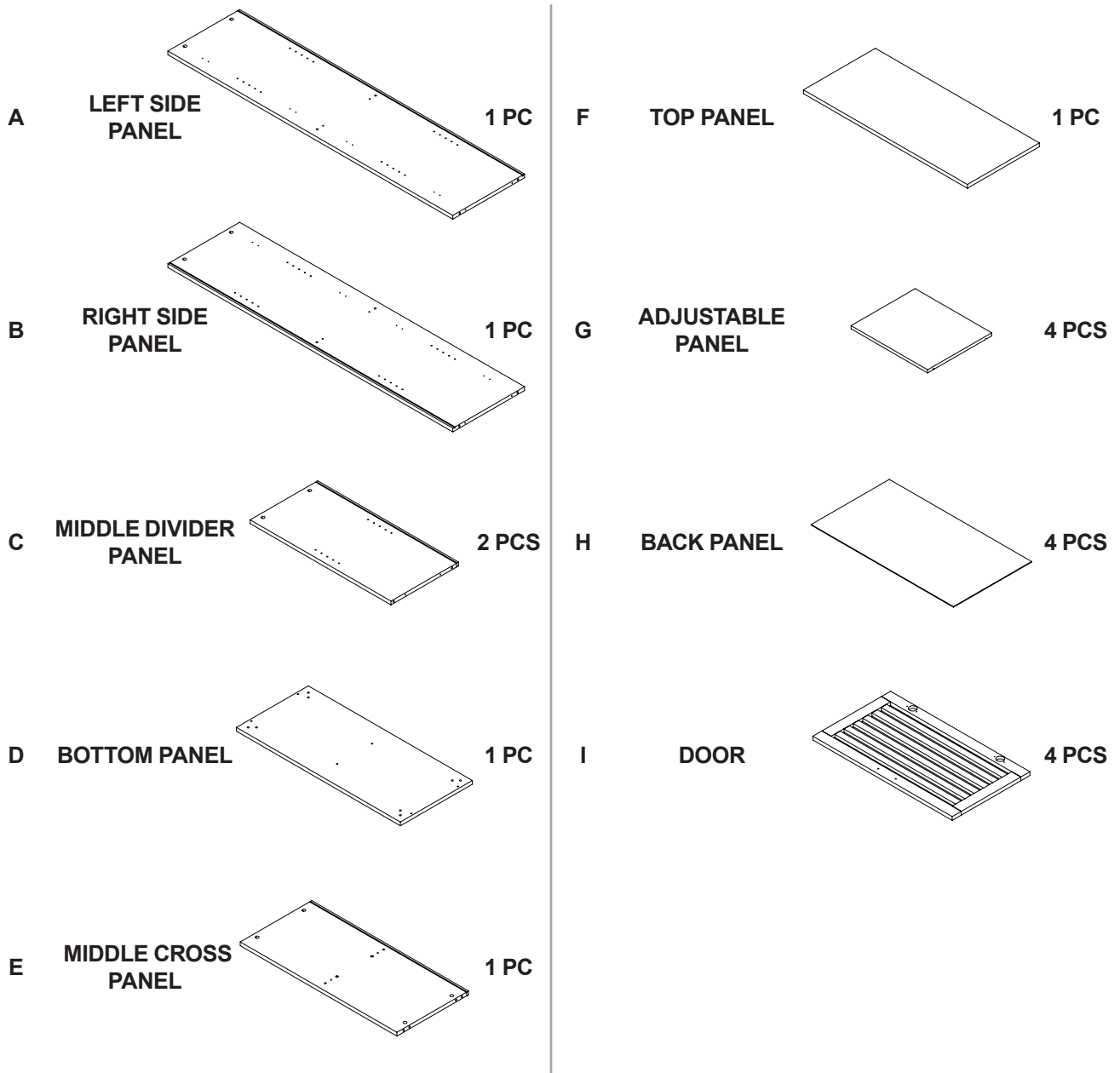
1. Don't attempt to repair or modify parts that are broken or defective. Please contact the store immediately.
2. This product is for home use only and not intended for commercial establishments.



ASSEMBLY TIME

50 MINUTES

PARTS IDENTIFICATION

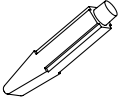
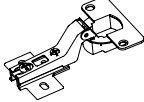
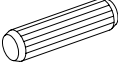

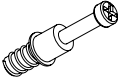
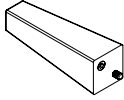




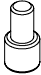
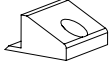
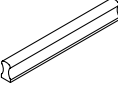


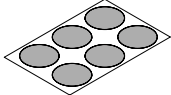


NOTE:

Phillips head screw driver is required in the assembly process; however, manufacturer does not provide this item.

HARDWARE IDENTIFICATION

Z

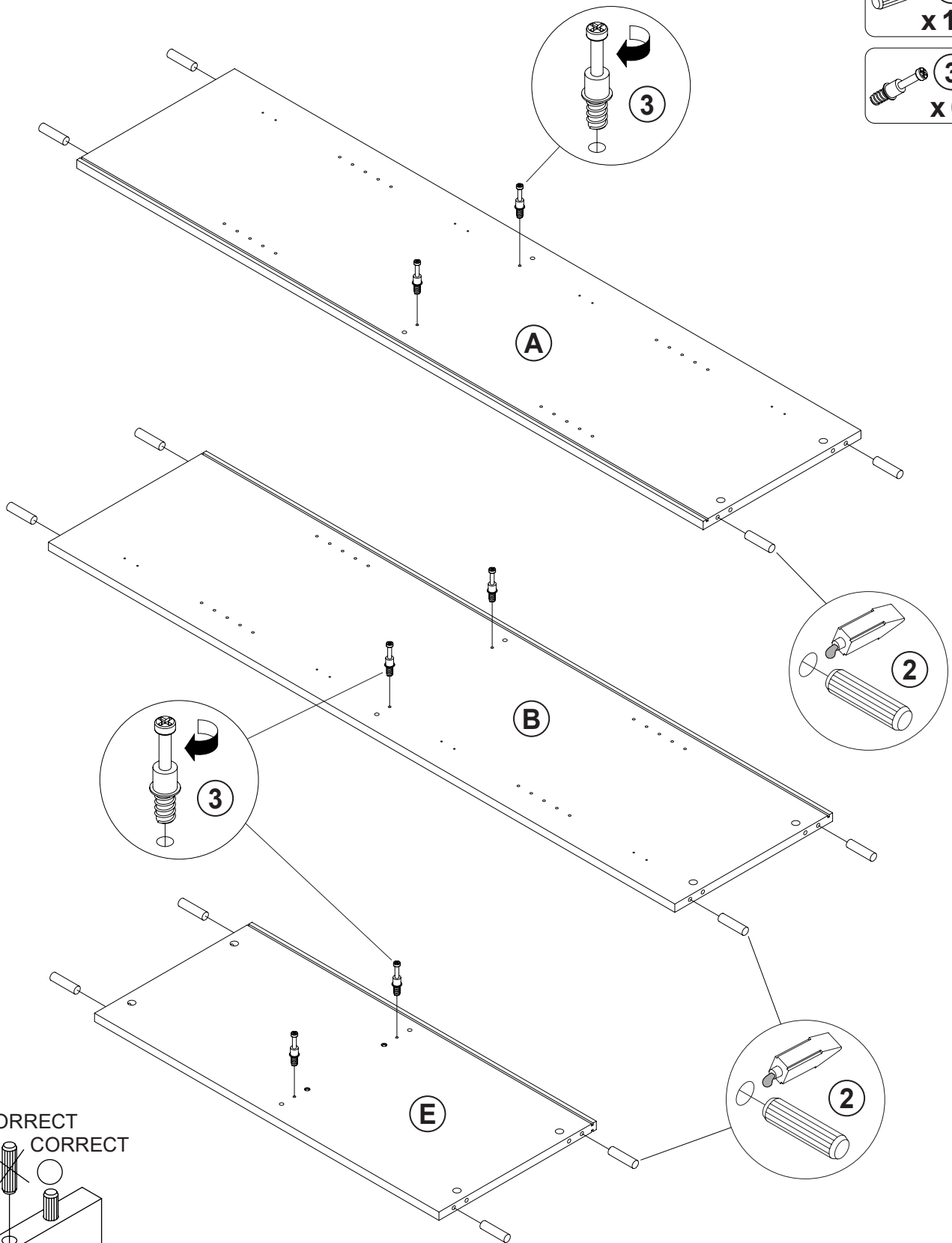
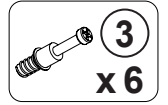
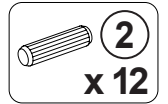
NO	DESCRIPTION	FIGURE	Q'TY	NO	DESCRIPTION	FIGURE	Q'TY
1	GLUE 15g		1 PC	9	HINGE Ø35mm SR		8 PCS
2	WOODEN DOWEL Ø8x30mm		20 PCS	10	HINGE SCREW Ø4x15mm SR		32 PCS
3	CAM BOLT Ø7x35.5mm SR		12 PCS	11	LEG		4 PCS
4	CAM LOCK Ø15x12mm SR		12 PCS	12	BOLT M6x33mm BLK		4 PCS
5	SCREW Ø4.5x42mm SR		8 PCS	13	ALLEN WRENCH 4mm SR		1 PC
6	PIN FOR ADJUSTABLE SHELF Ø4.9x15mm SR		16 PCS	14	FIXER		16 PCS
7	HANDLE L= 120mm BLK		4 PCS	15	FIXER SCREW Ø3x19mm SR		16 PCS
8	HANDLE BOLT Ø4x28mm BLK		8 PCS	16	STICKER Ø20mm		2 PCS

Z7,Z8,Z9,Z11 not included in blister packaging.

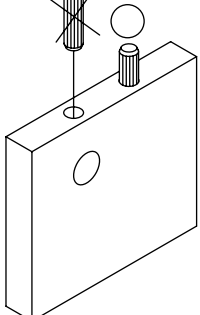
NOTE:

Phillips head screw driver is required in the assembly process; however, manufacturer does not provide this item.

STEP 1

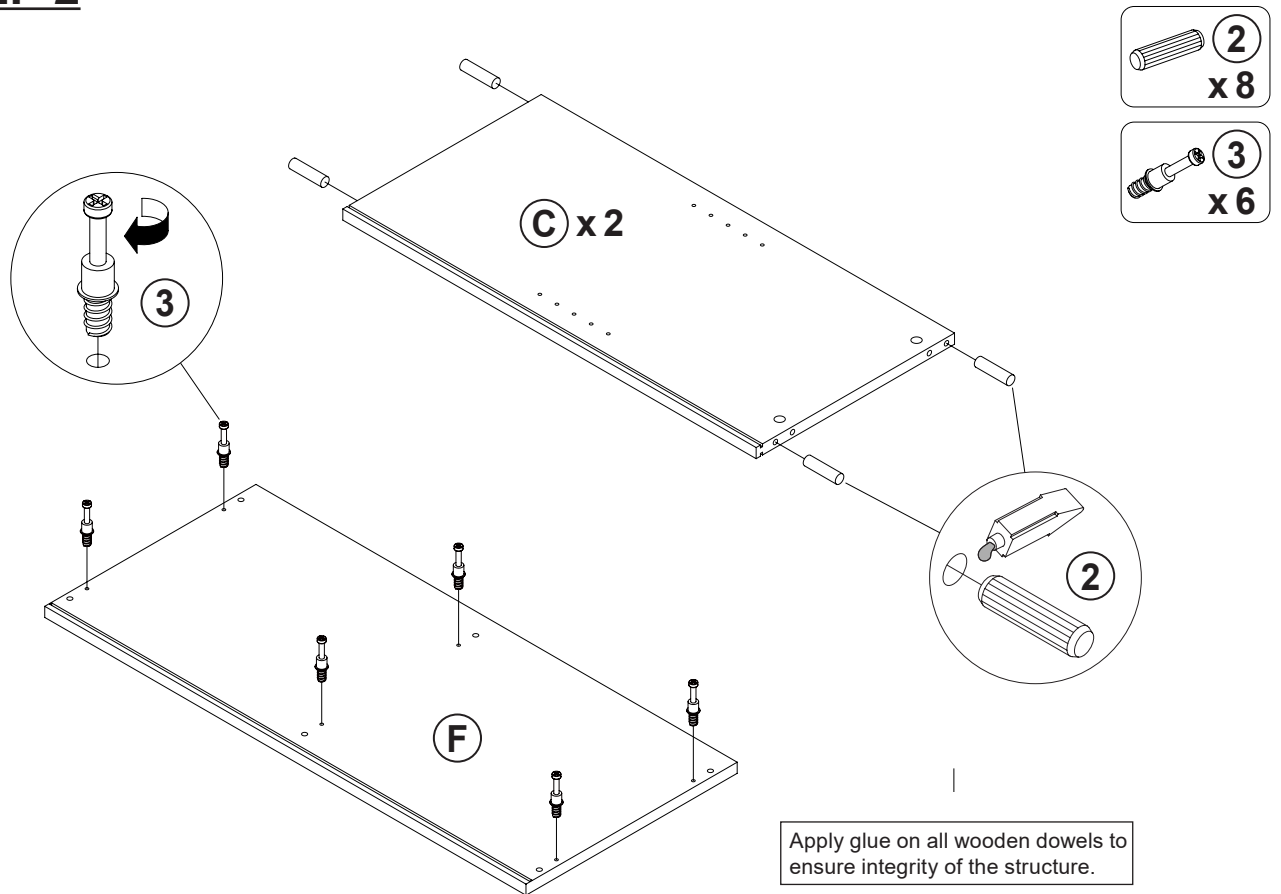


INCORRECT
CORRECT

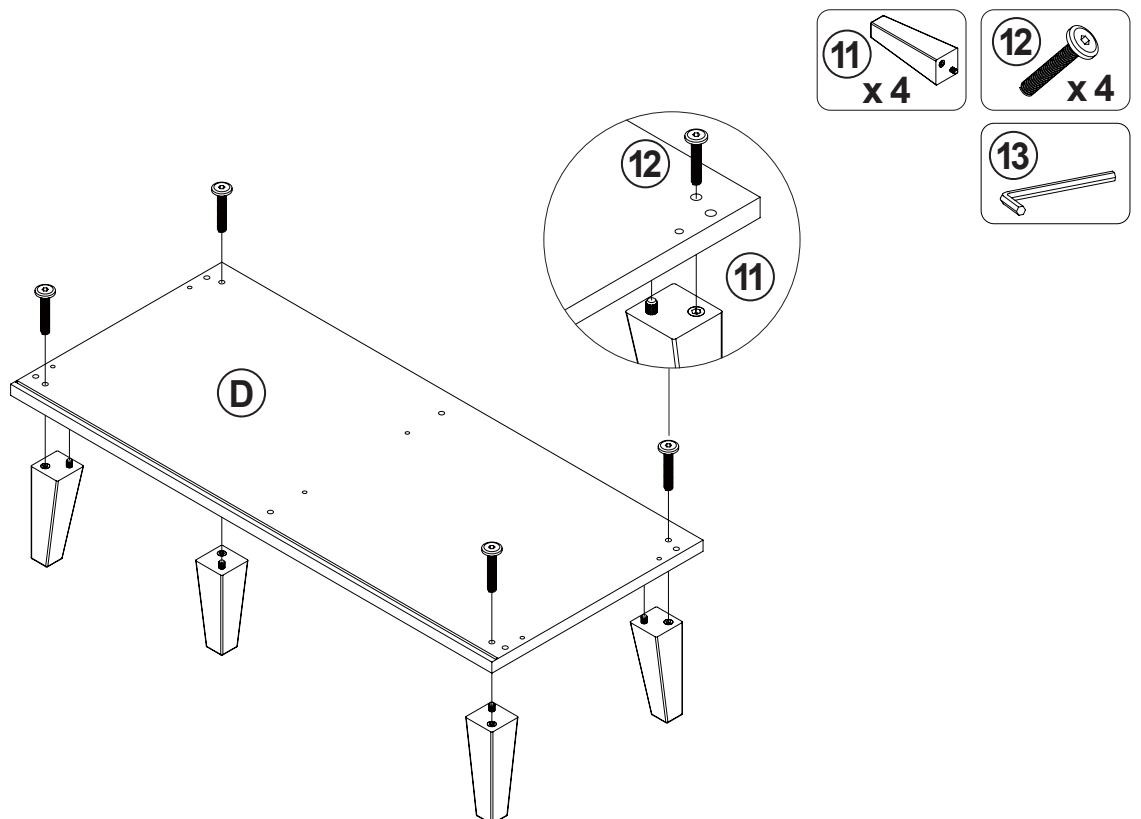


Apply glue on all wooden dowels to ensure integrity of the structure.

STEP 2

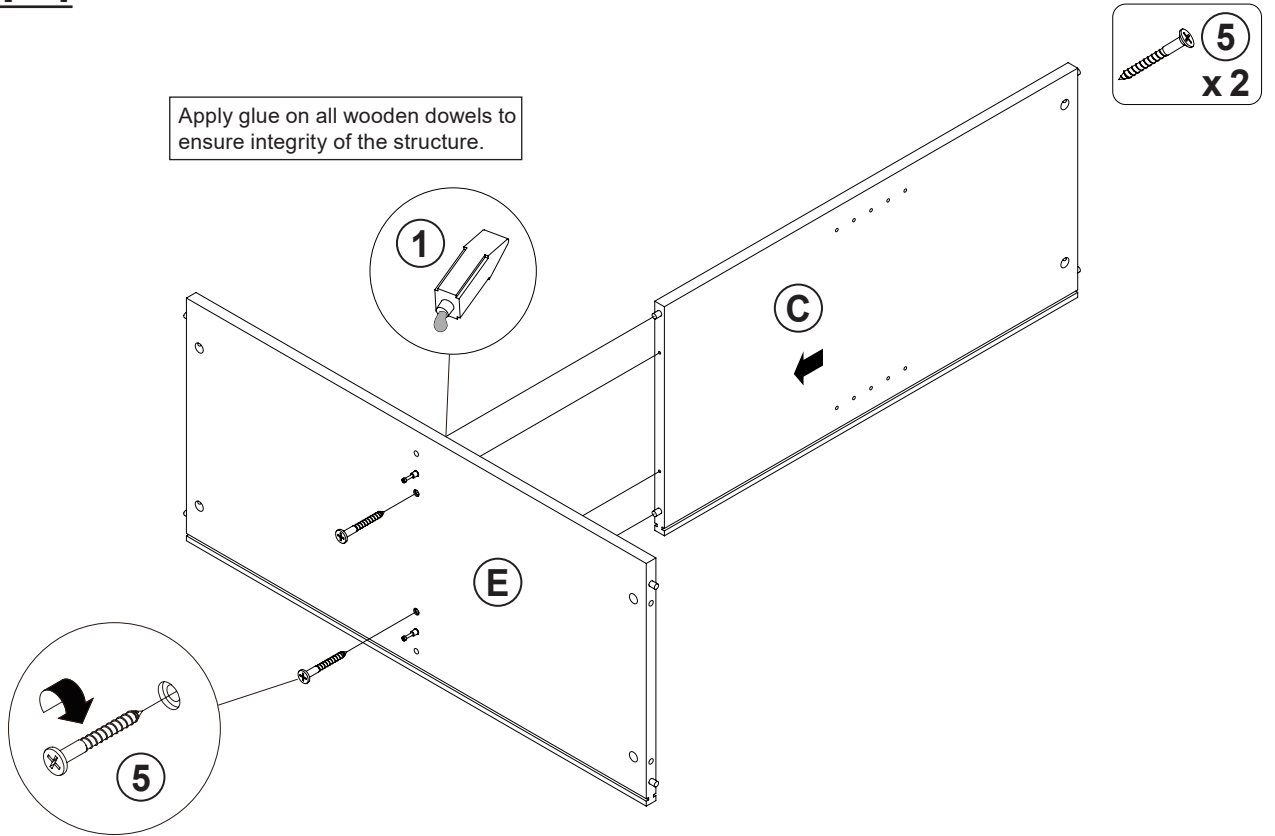


STEP 3

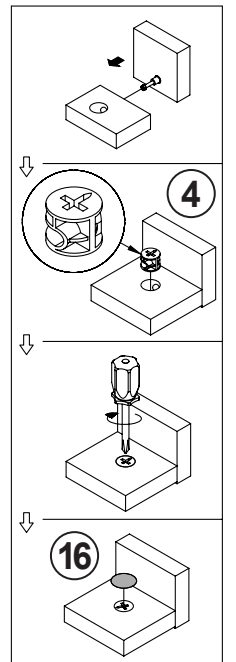
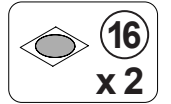
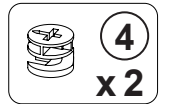
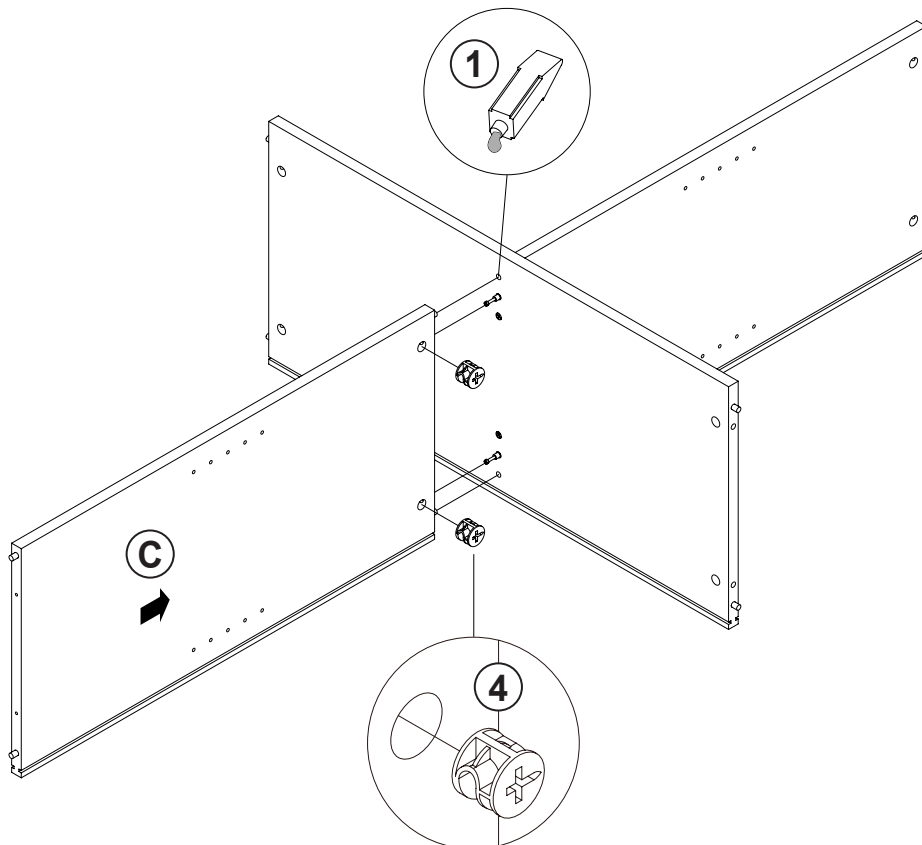


STEP 4

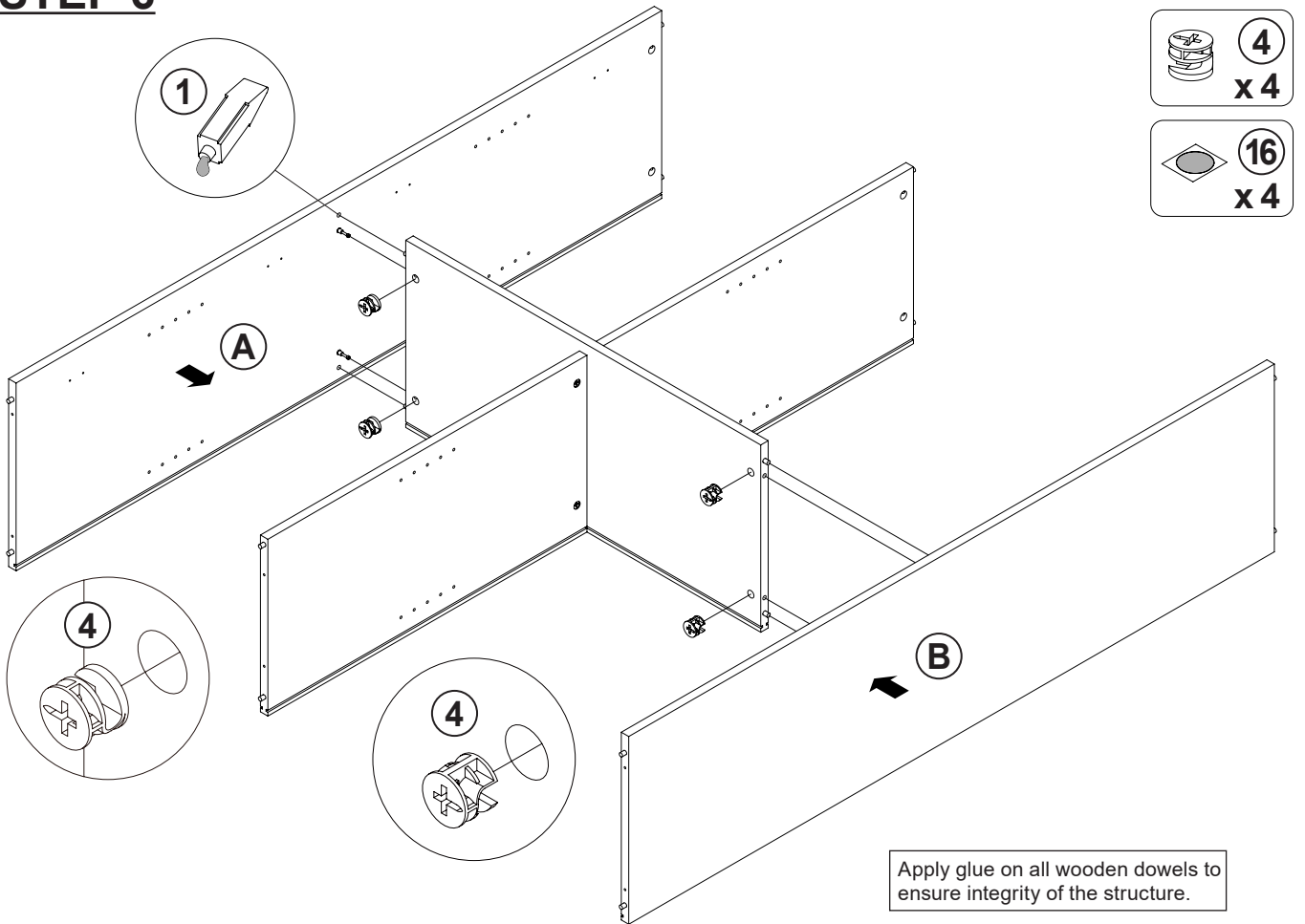
Apply glue on all wooden dowels to ensure integrity of the structure.



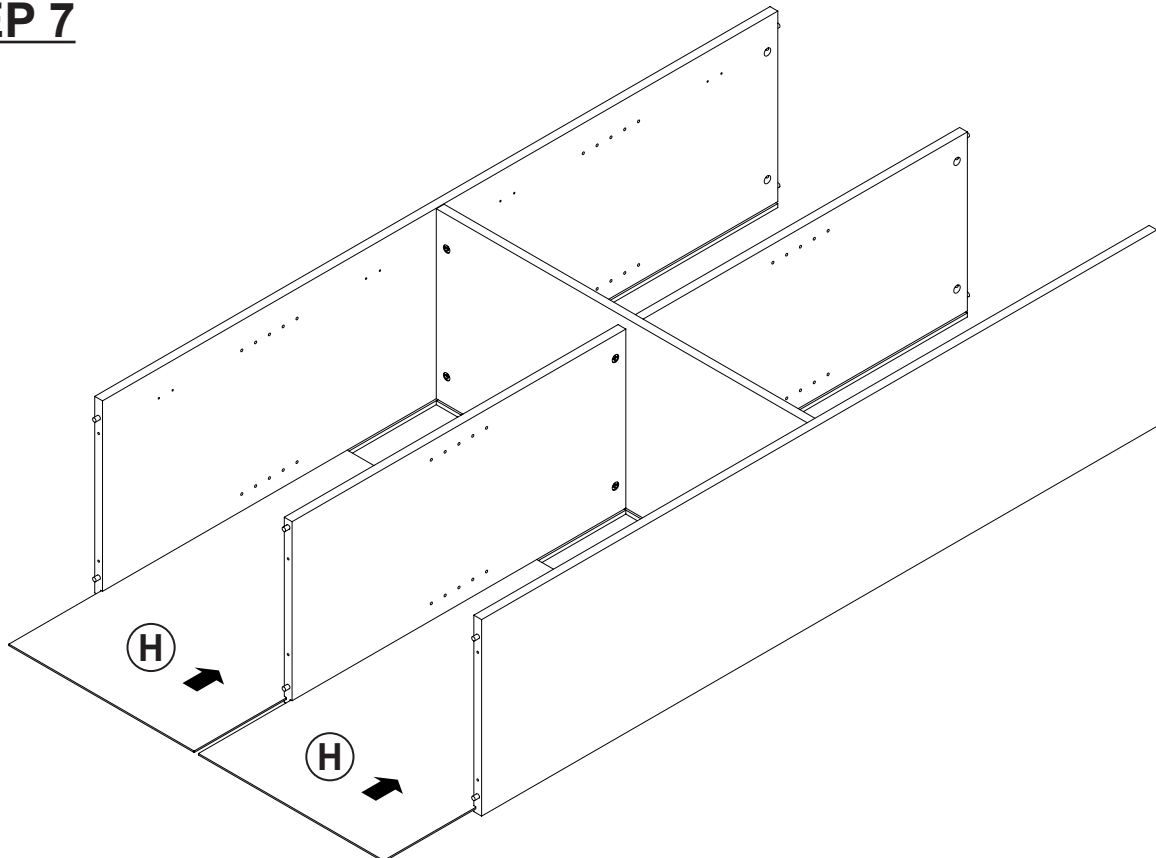
STEP 5



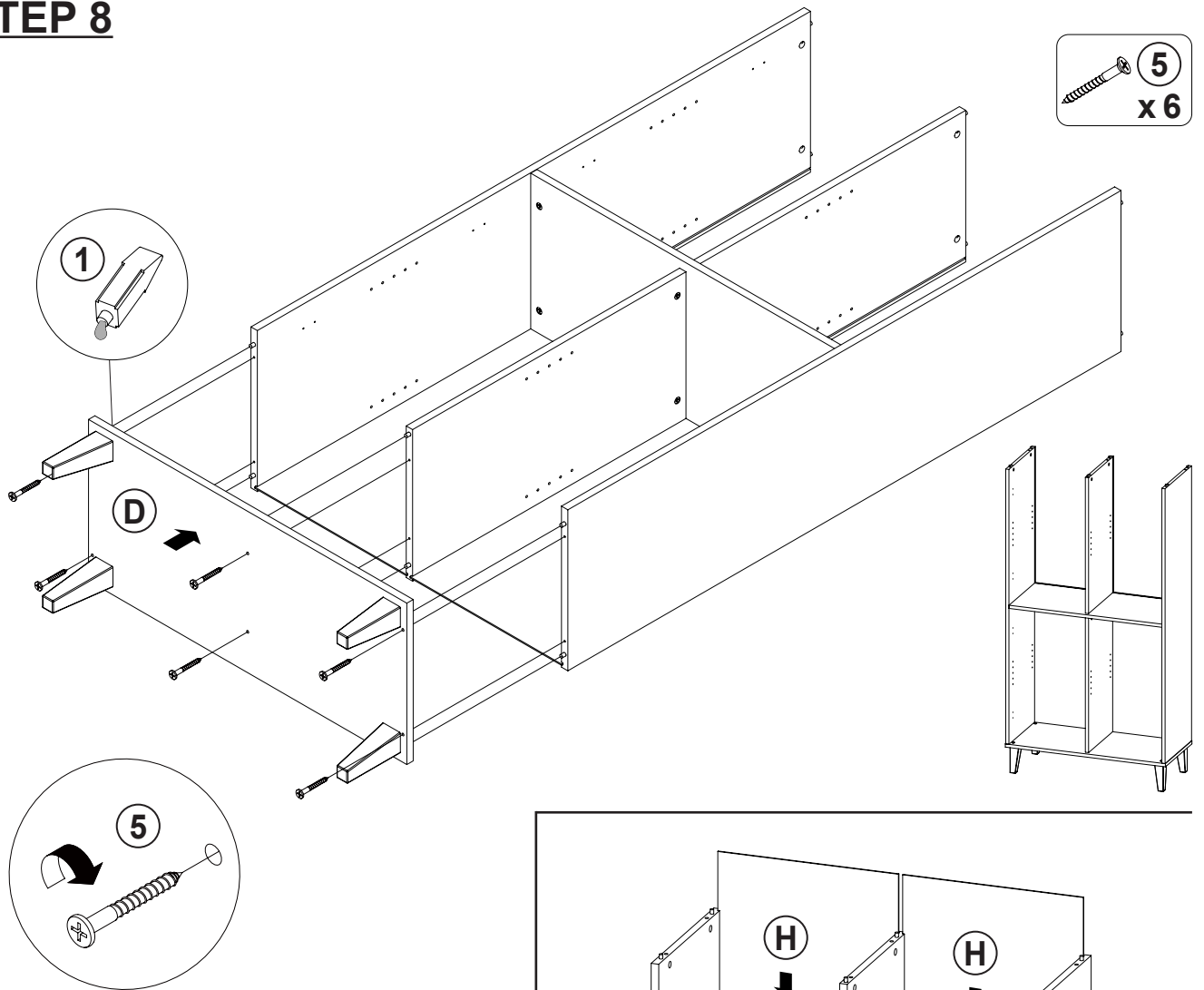
STEP 6



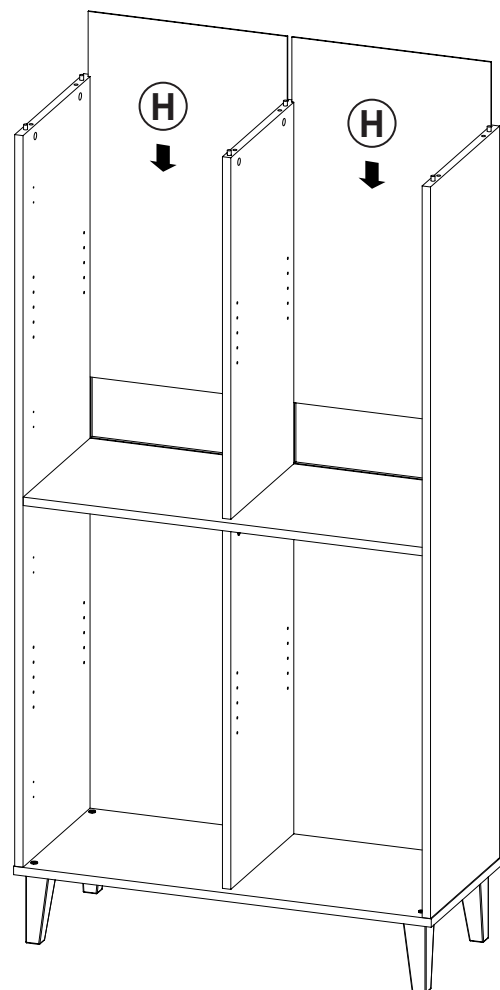
STEP 7



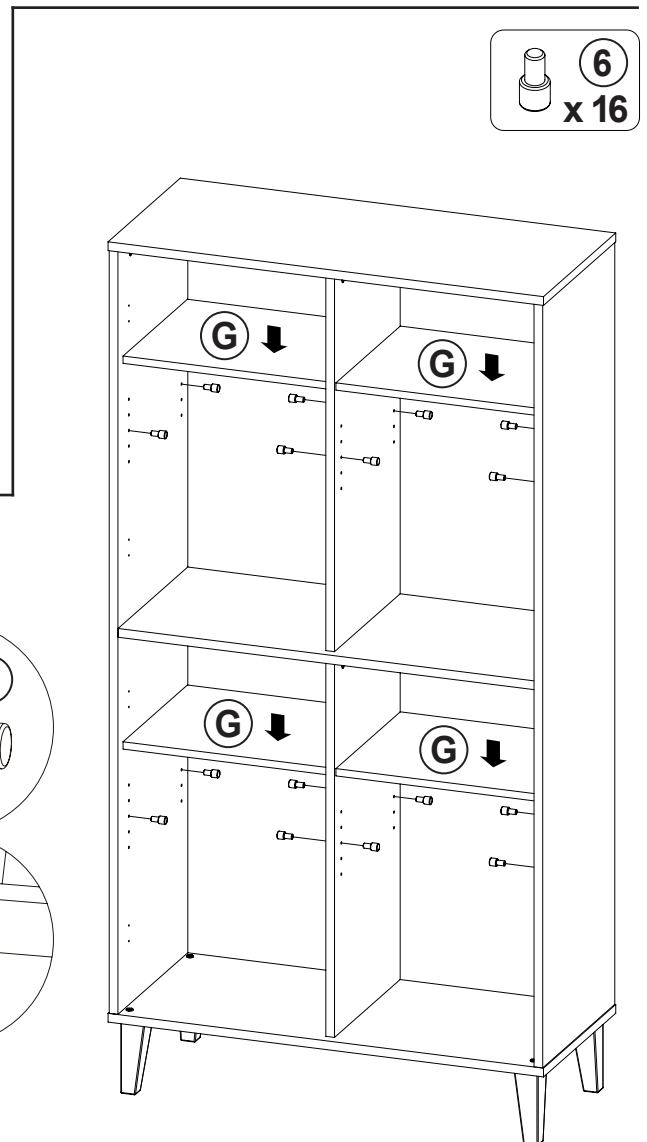
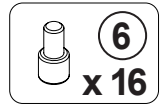
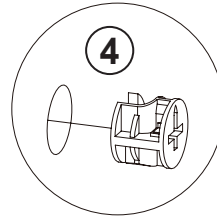
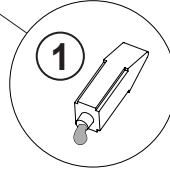
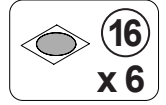
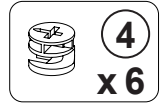
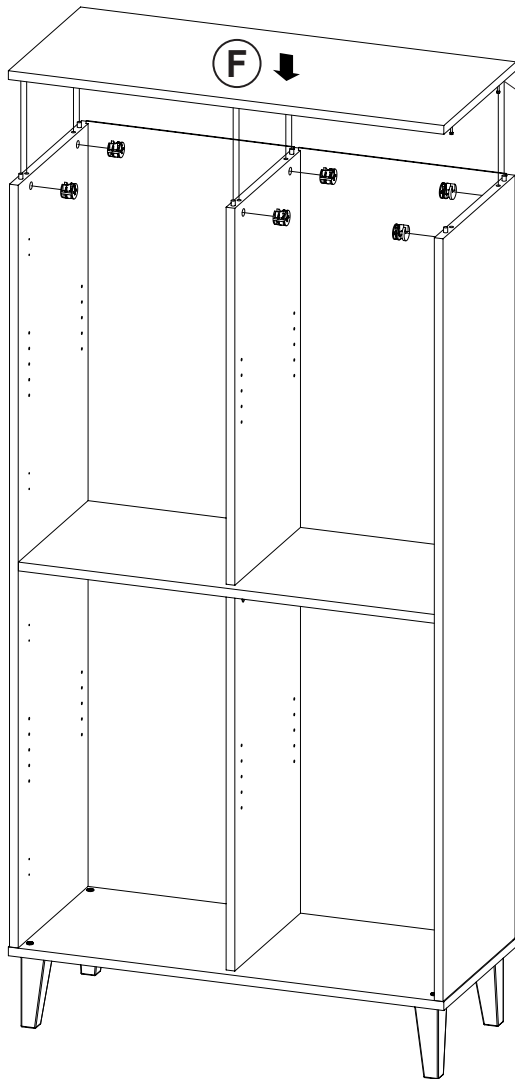
STEP 8



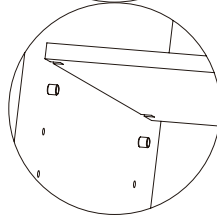
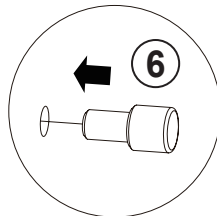
STEP 9



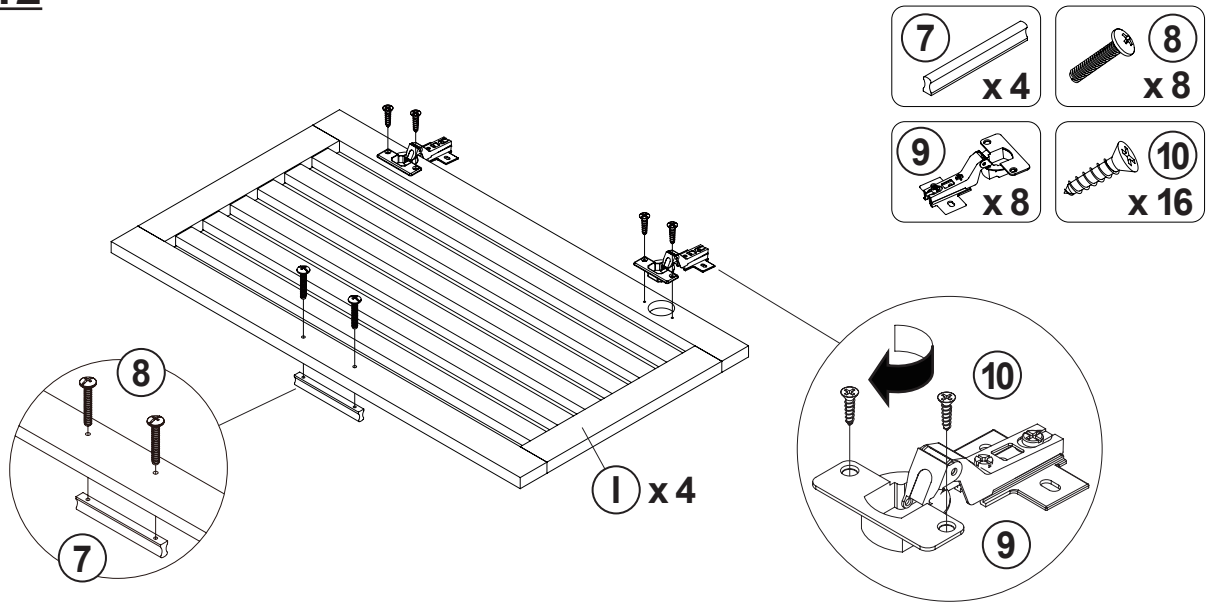
STEP 10



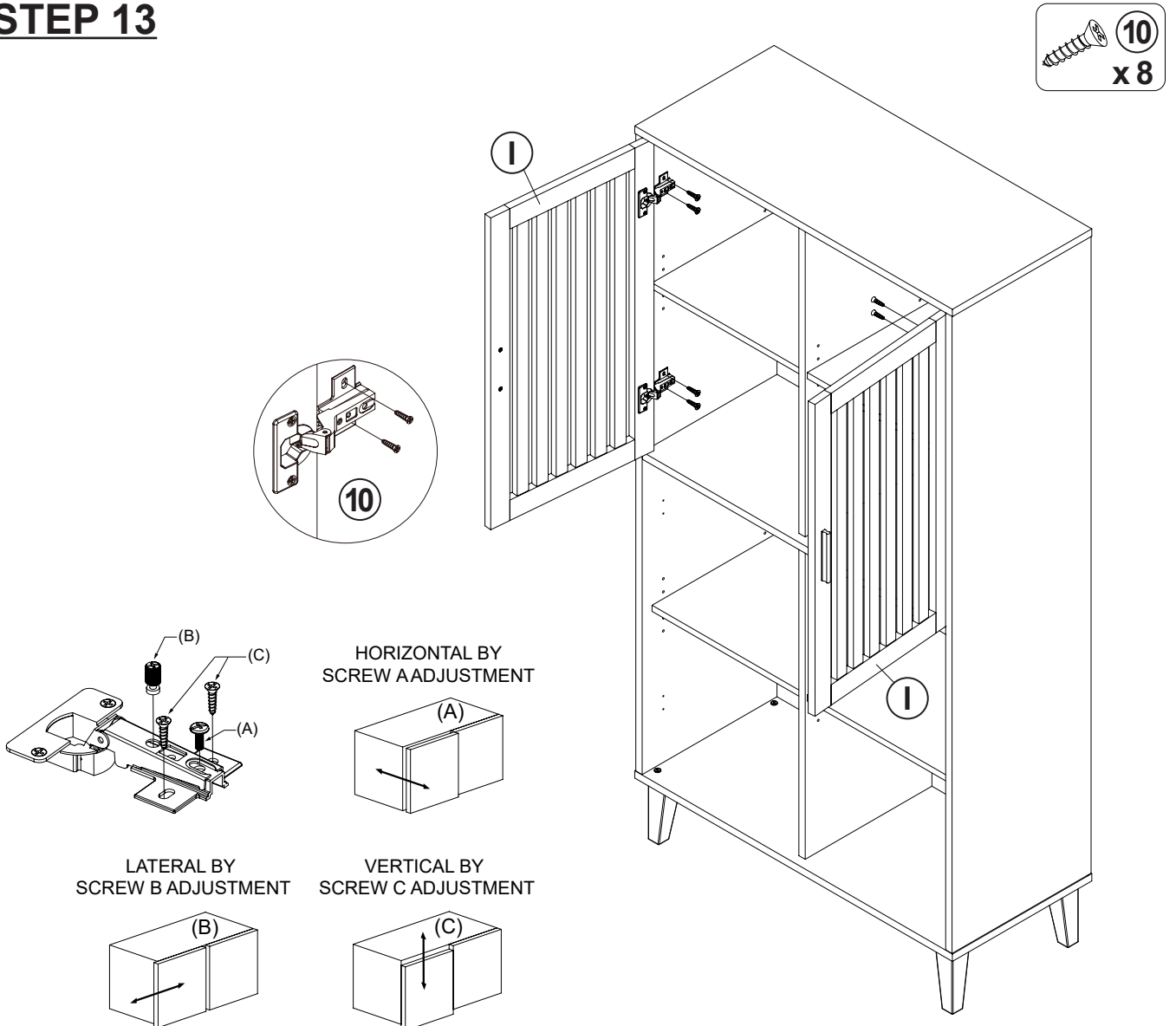
STEP 11



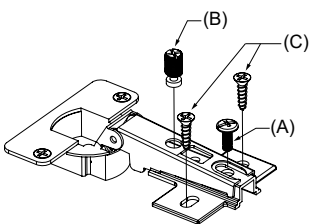
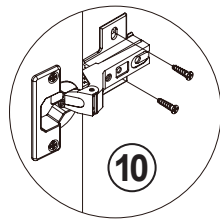
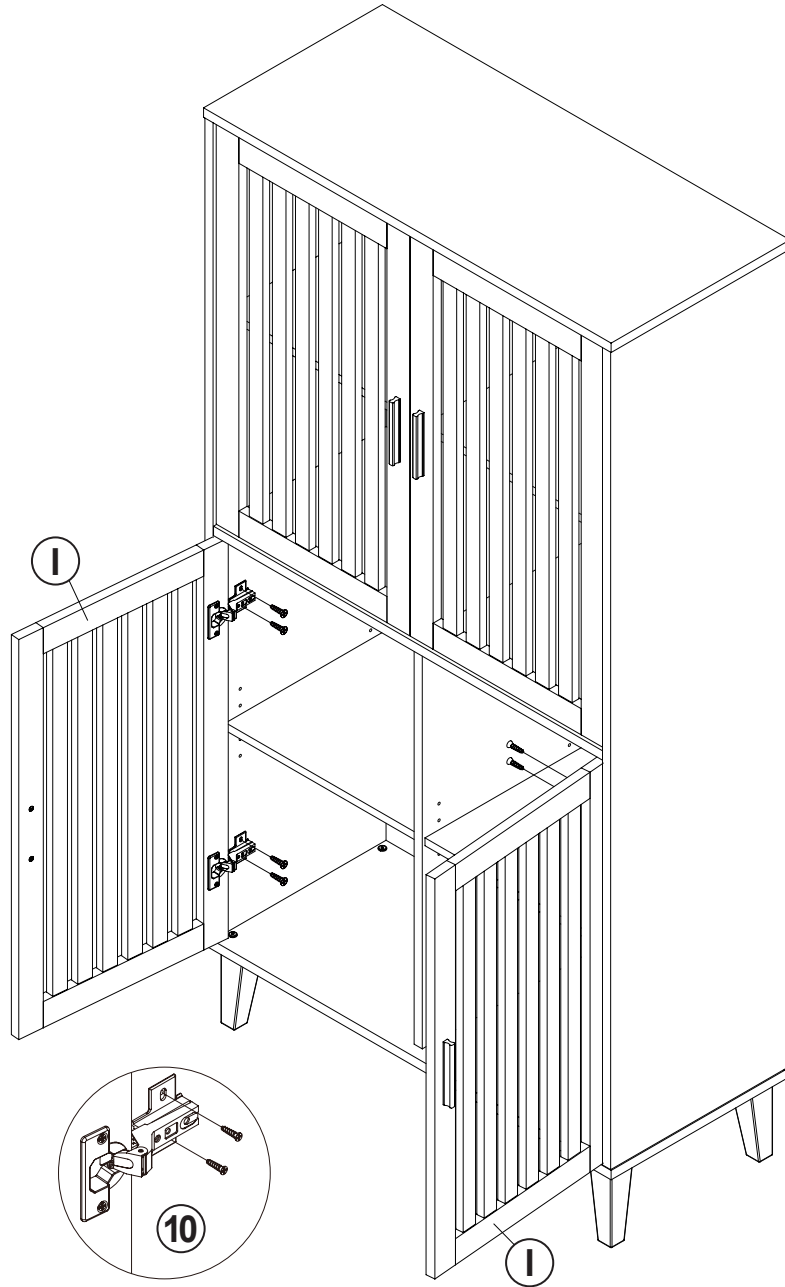
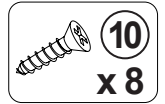
STEP 12



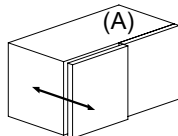
STEP 13



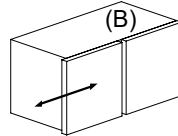
STEP 14



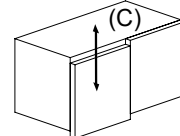
HORIZONTAL BY
SCREW A ADJUSTMENT



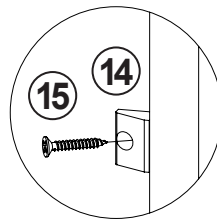
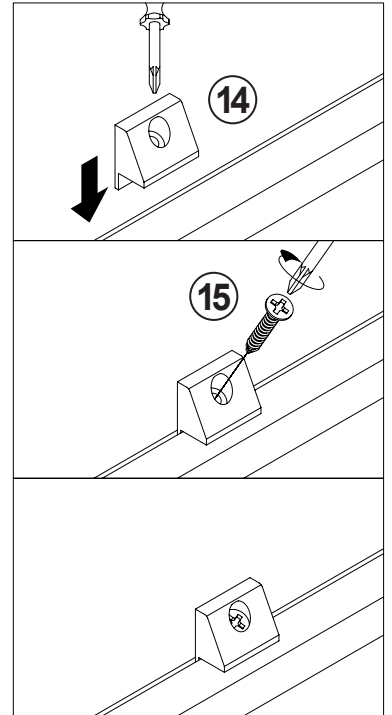
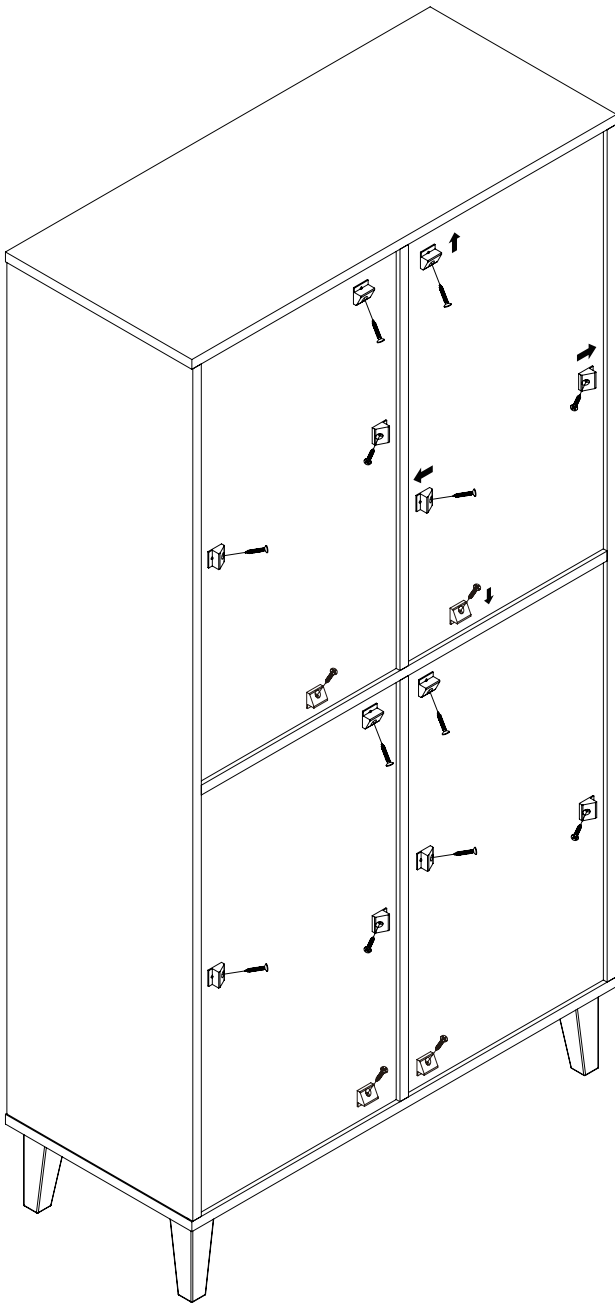
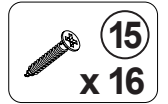
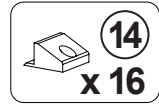
LATERAL BY
SCREW B ADJUSTMENT



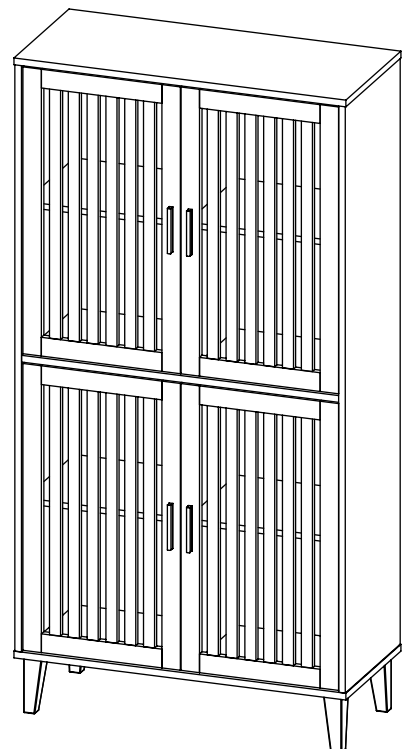
VERTICAL BY
SCREW C ADJUSTMENT

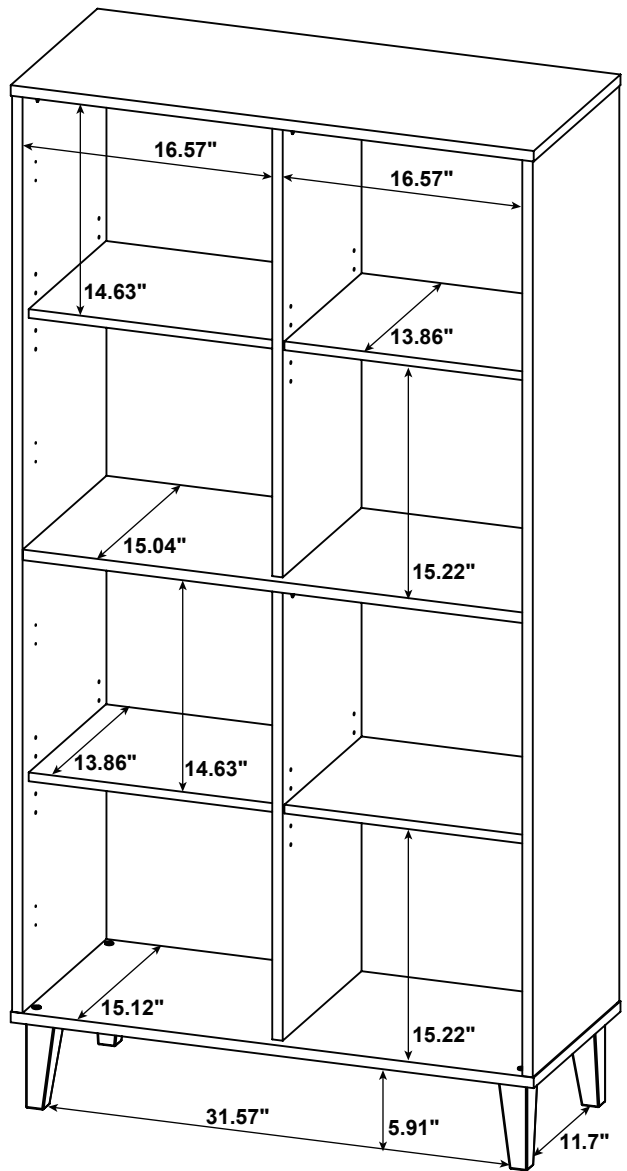
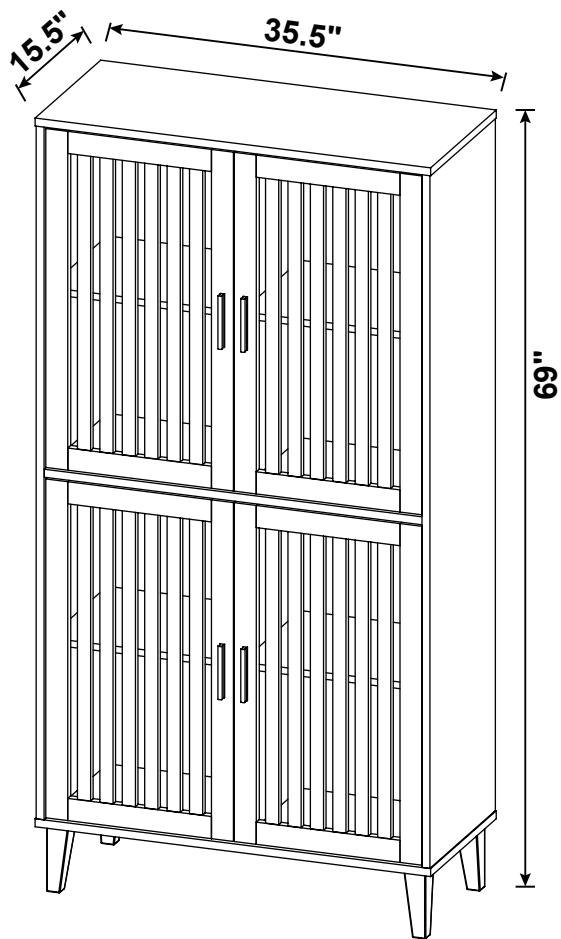


STEP 15



COMPLETE





Note : Dimension tolerance $\pm 5\%$

ANTI-TIPPING INSTALLMENT INSTRUCTIONS

FURNITURE TIPPING RESTRAINT

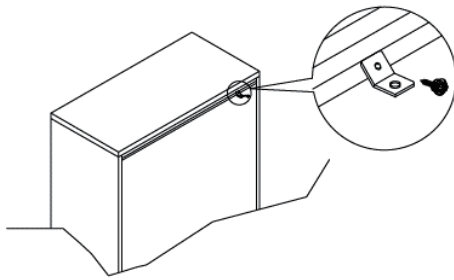
WARNING

Injury may result from tipping furniture.
This restraint may protect against tipping furniture.
Do not allow children to climb on furniture.
This restraint is not a substitute for proper adult supervision.
Failure to detach this restraint before moving the furniture may result in injury and damage.

This restraint must be screwed to a wood stud on the wall, using the long screw provided.

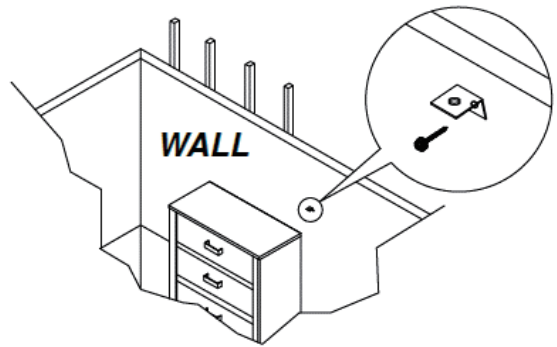
STEP 1

Secure the bracket to the back top of the unit, using the short screw provided, as shown in the drawing.



STEP 2

Locate the wood stud on the wall, and secure the other bracket, 2 inches below the back of the unit.



STEP 3

Place the furniture into position so both mounting brackets are vertically in line. Lace the end of the restraint strap through the larger hole in each mounting bracket. Bring both ends together and slide the flat end through the locking end, and drag it through, until the slack is removed. Ensure that the strap is securely laced and locked.

