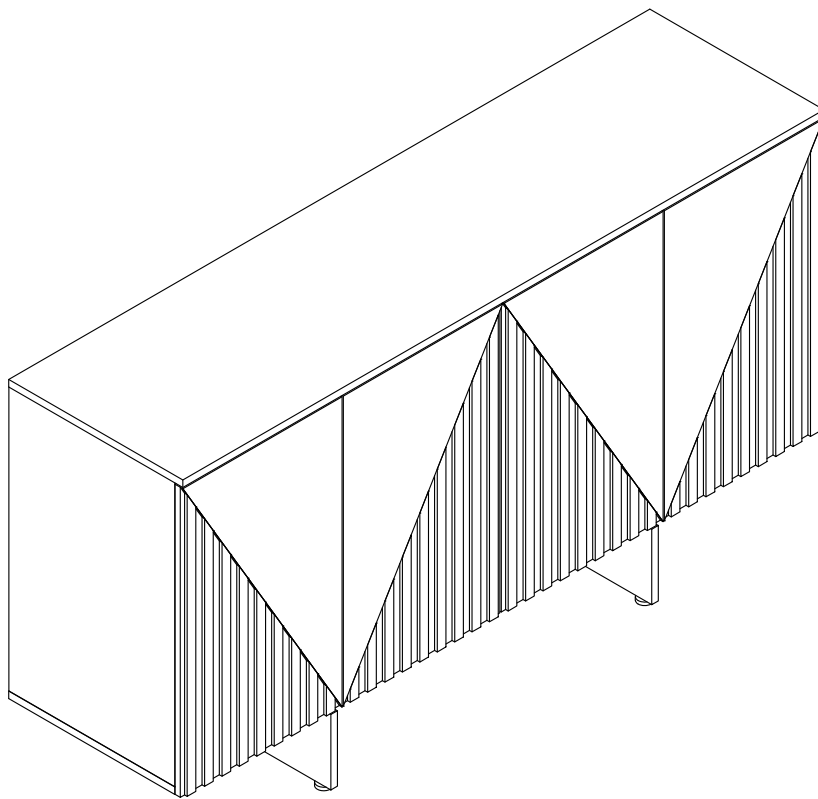


OWNER MANUAL



NOTE:

This brochure contains IMPORTANT safety info. Please read and keep for future reference.

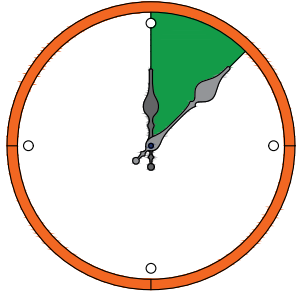
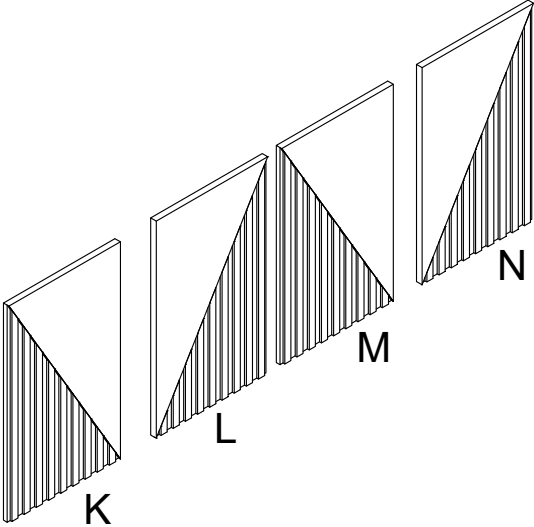
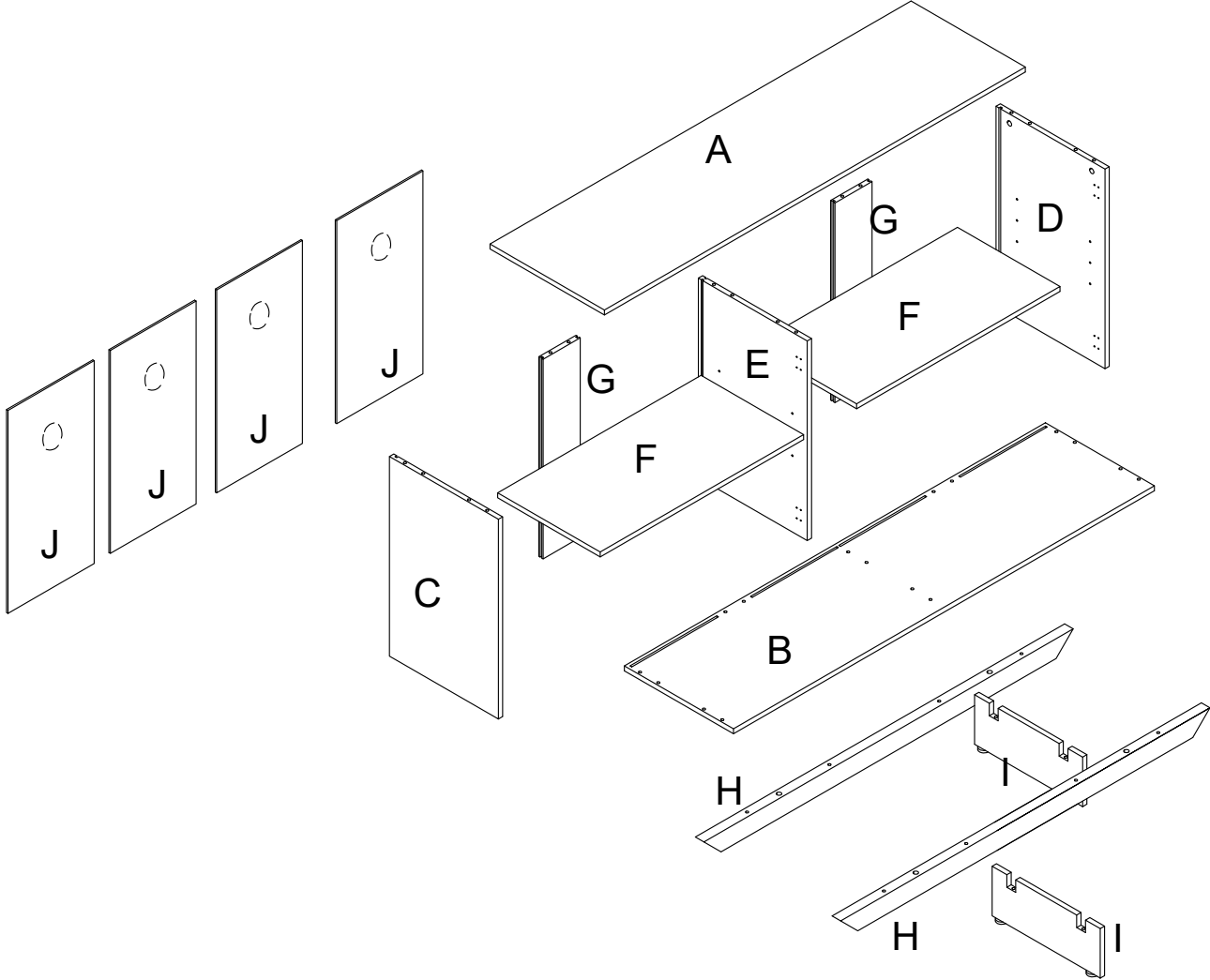
MAINTENANCE AND WARNING

- 1.Keep furniture away from heat sources.
- 2.Do not clean furniture with harsh cleaner or polishes.Do not use detergents,solvents,abrasives,spray packs or leather cleaner. Use non-color mild soap with warm water to clean spills(Mix 1:10 soap to water).
- 3.Do not place furniture under direct sunlight,material will possibly fade over time.
- 4.Do not use on site dry cleaning machine.Children should not climb or jump on the furniture.
- 5.Do not write on furniture that is not protectedby a padded barrier.
- 6.Not for commercial use,only for residential use.



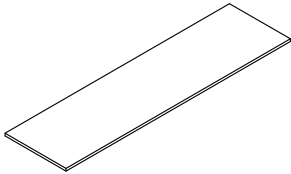
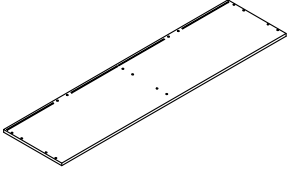
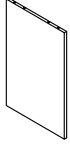
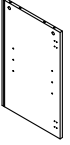
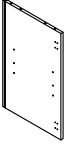
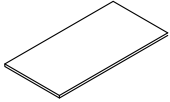

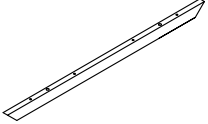
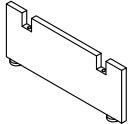
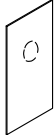
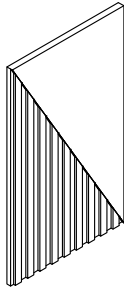
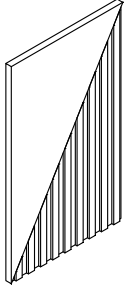
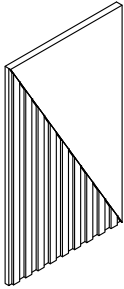
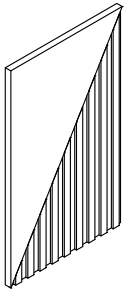
Weight Limitation
150 LBS

EXPLOSIVE VIEW

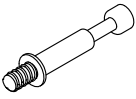

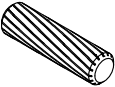
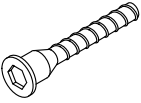

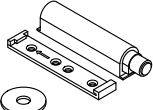

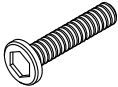


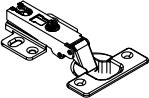


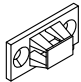





Around 45 min

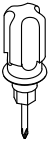
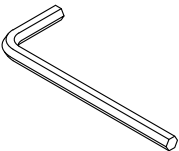
PARTS LIST

A	x1	B	x1	C	x1	D	x1
							
E	x1	F	x2	G	x2	H	x2
							
I	x2	J	x4	K	x1	L	x1
							
M	x1	N	x1				
							

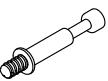

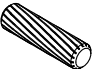
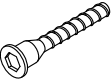



HARDWARE LIST

#1	x10	#2	x10	#3	x12	#4	x10	#5	x48	#6	x4
											
M6*35mm		Ø15*12mm		Ø8*30mm		Ø7*40mm		Ø3.5*14mm			
#7	x32	#8	x12	#9	x10	#10	x8	#11	x4	#12	x4
											
		M6*50mm									
#13	x2	#14	x4	#15	x4	#16	x4	#17	x48		
											
						Ø4*35mm		Ø4*14mm			

TOOL LIST

#18	x1	#19	x1
			

HARDWARE SPARE LIST

#1	x1	#2	x1	#3	x1	#4	x1	#17	x2	#8	x1	#5	x2
													
M6*35mm		Ø15*12mm		Ø8*30mm		Ø7*40mm		Ø4*14mm				Ø3.5*14mm	

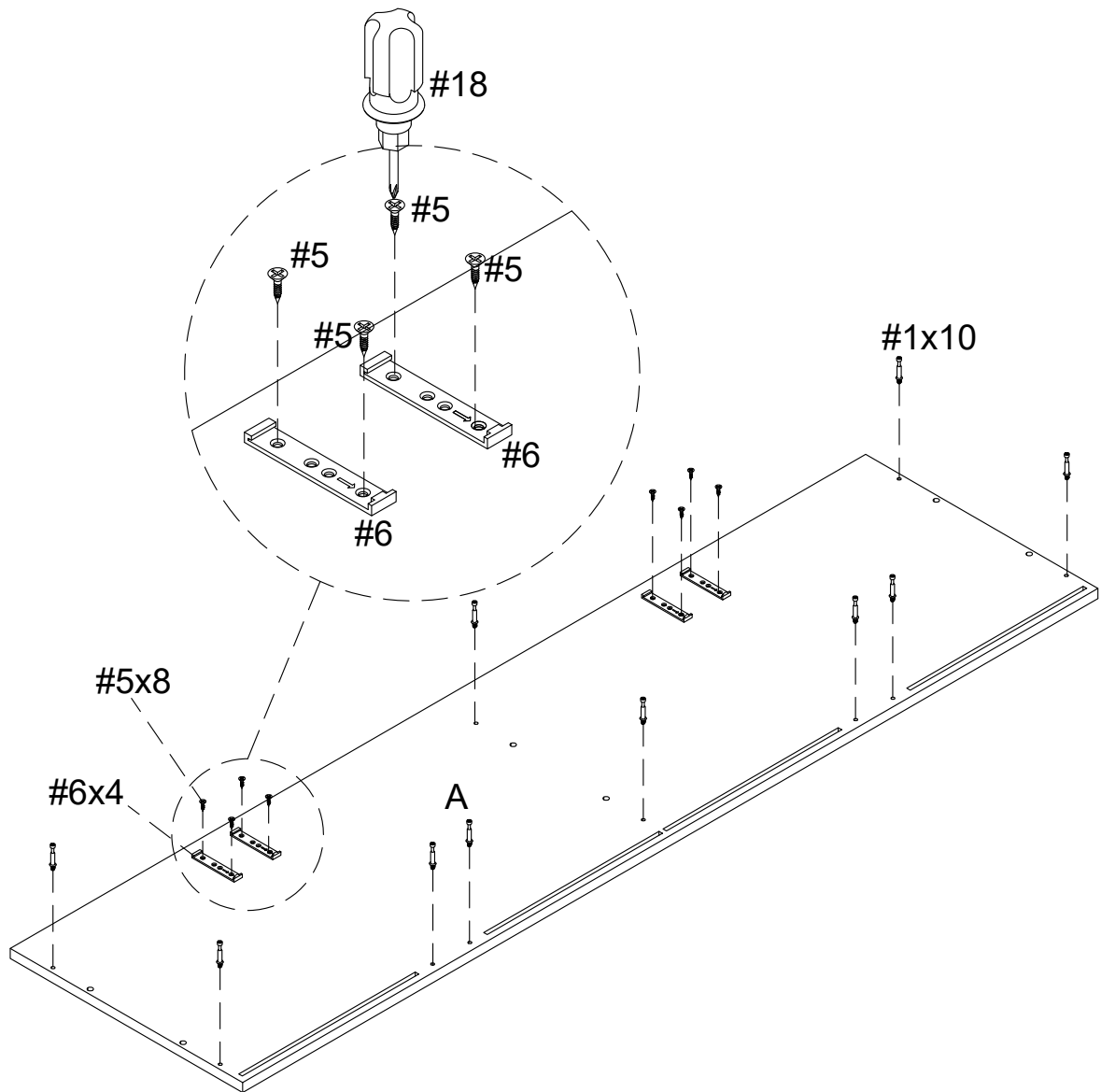
ASSEMBLY INSTRUCTIONS

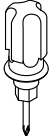
STEP-1


Prepare for part A.

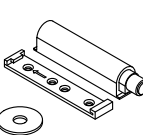
Align the holes in part A, tighten #1 with screwdriver #18 .

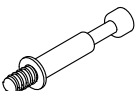
install #6 with screw #5 and screwdriver #18



#18	x1
	

#5	x8
	
Ø3.5*14mm	

#6	x4
	

#1	x10
	
M6*35mm	

ASSEMBLY INSTRUCTIONS

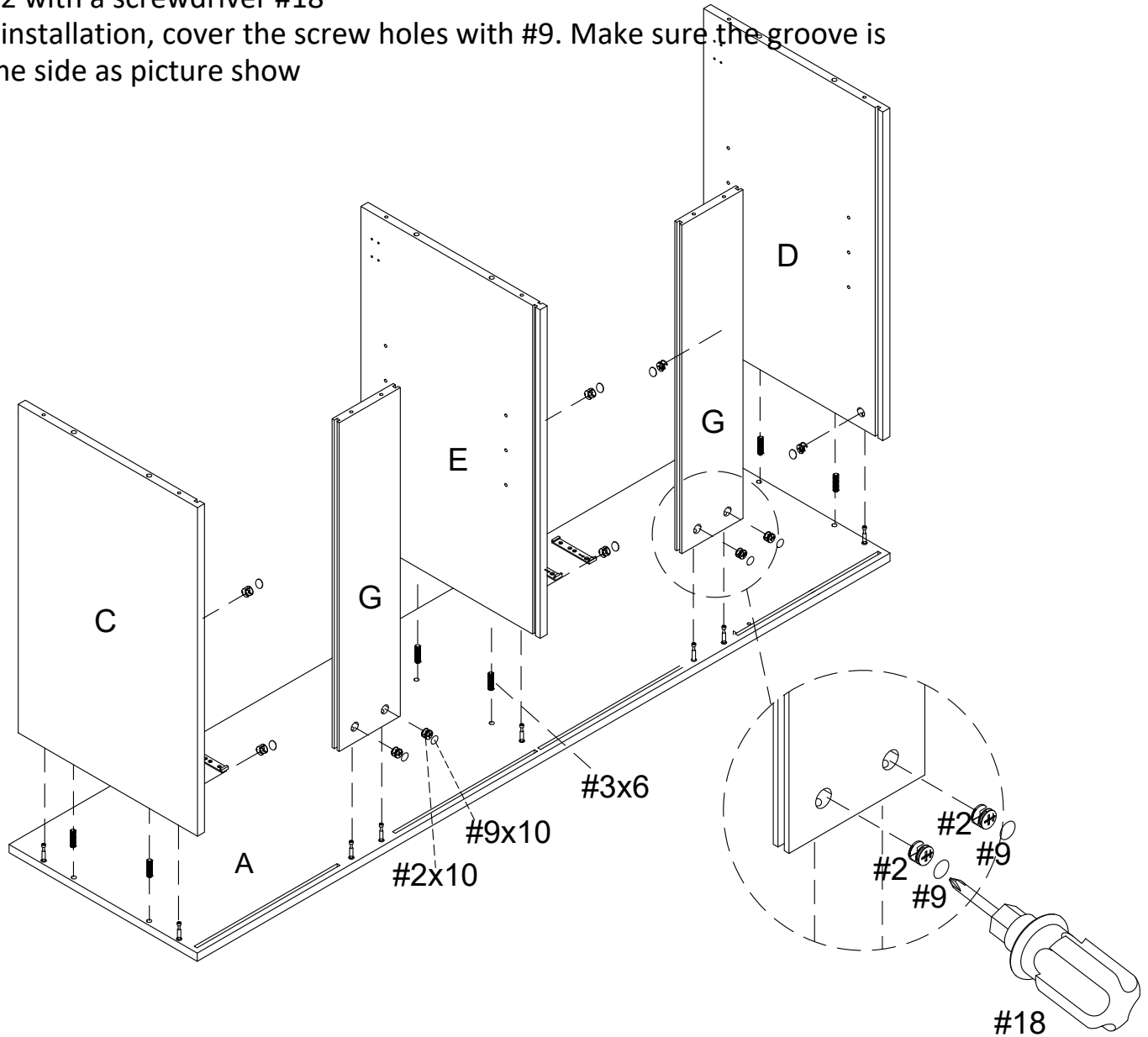
STEP-2

Align the holes in part A, insert wooden dowel #3 by hand

Connect the part A with part C&D&E&G,

insert cam bolt #2 into the corresponding hole of panel C&D&E&G and tighten the cam bolt #2 with a screwdriver #18

After installation, cover the screw holes with #9. Make sure the groove is in same side as picture show



#9	x10

#18	x1

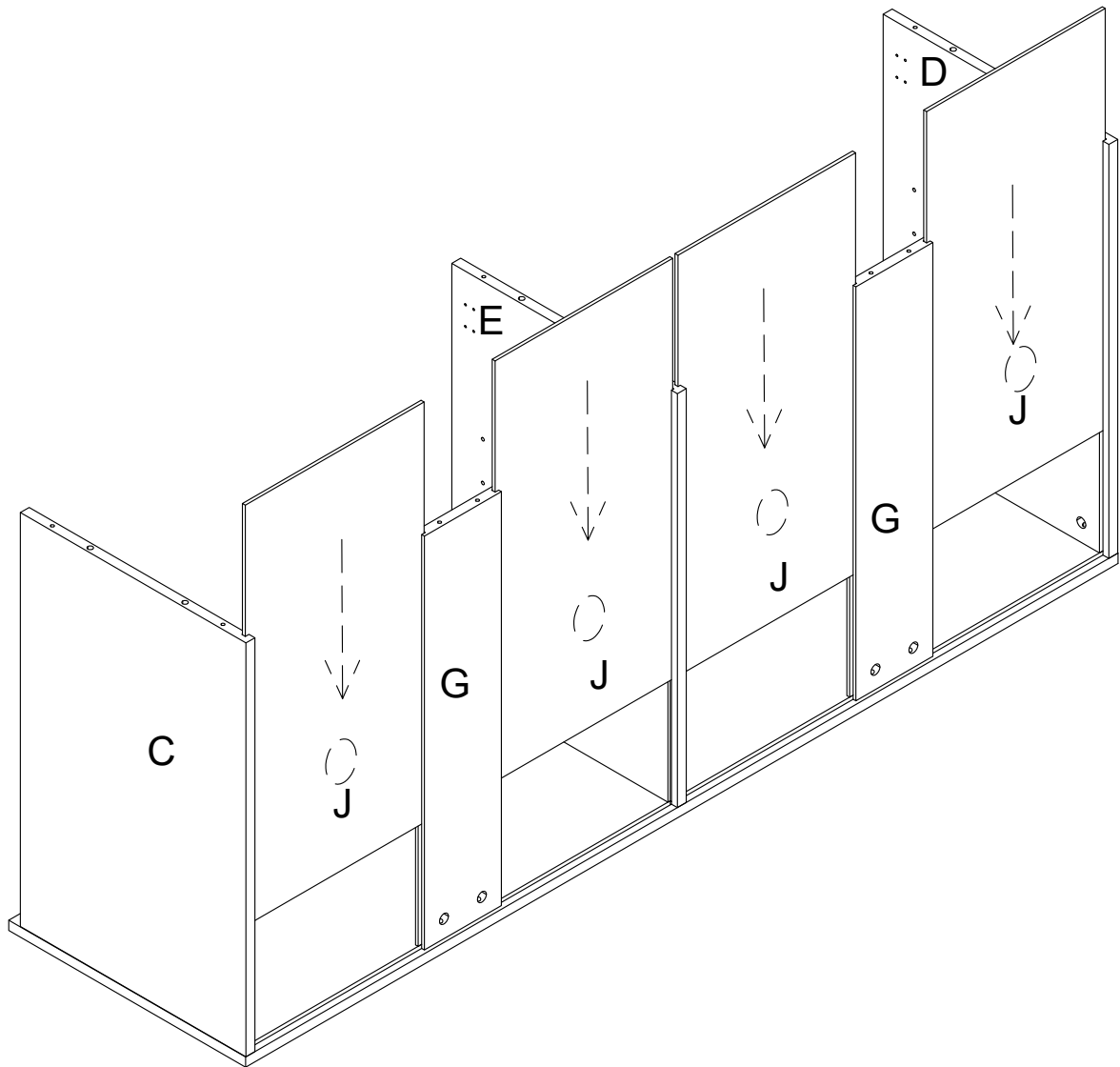
#2	x10
Ø15*12mm	

#3	x6
Ø8*30mm	

ASSEMBLY INSTRUCTIONS

STEP-3

slide in the part J,K into the groove in part C,G and G,E and E,G,and G,D .
make sure they are also in groove in part A



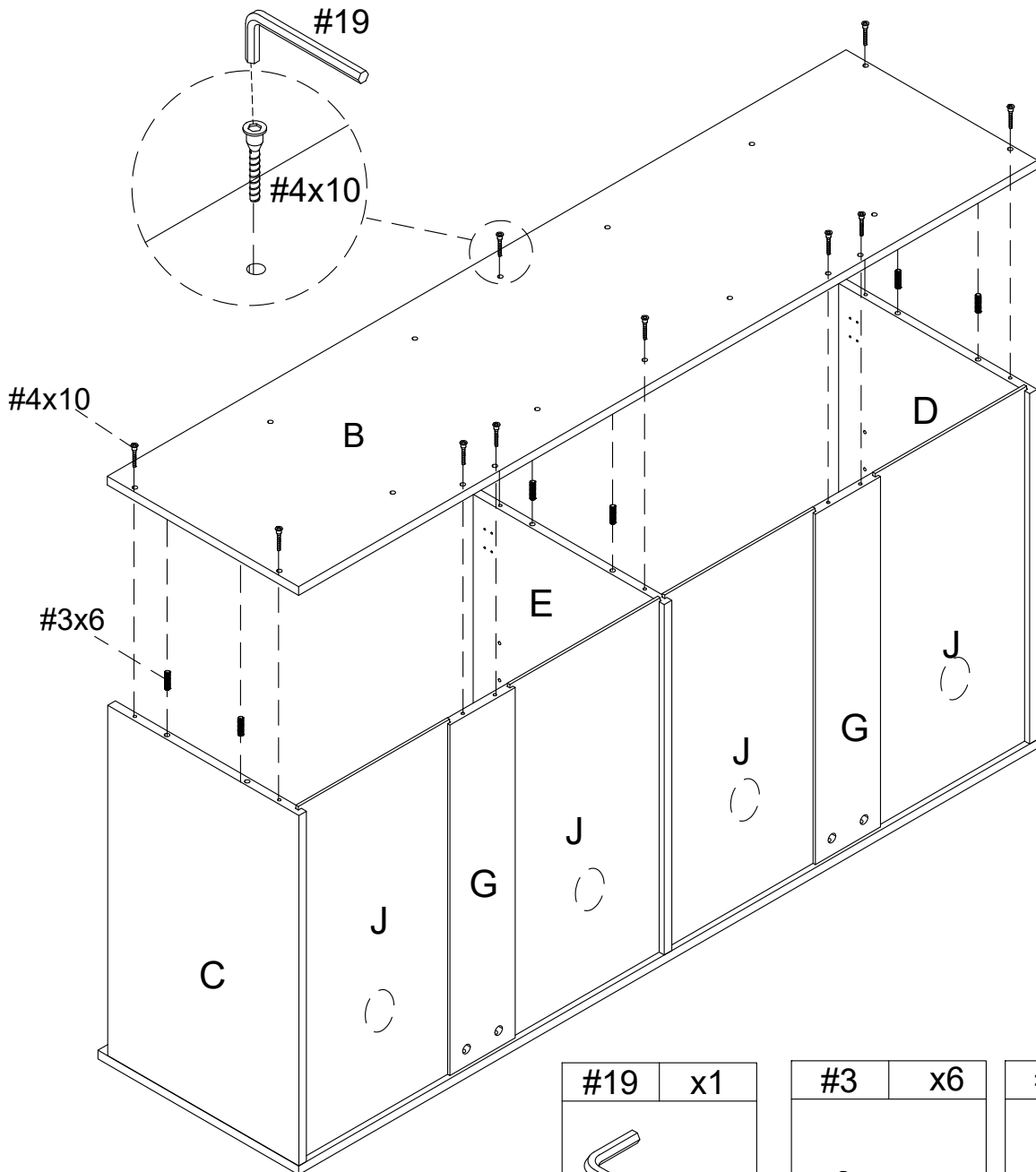
ASSEMBLY INSTRUCTIONS

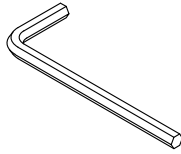
STEP-4

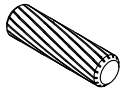
Connect the part B.

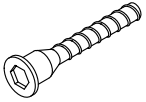
align the holes in part B, Insert the wooden dowel #3 into the part C&D&E as the picture show. Insert screw #4 and push it down so that it connects to parts C&D&E&G.

Next, and tighten the screw #4 with an Allen key #19 cover the screw holes with #9



#19	x1
	

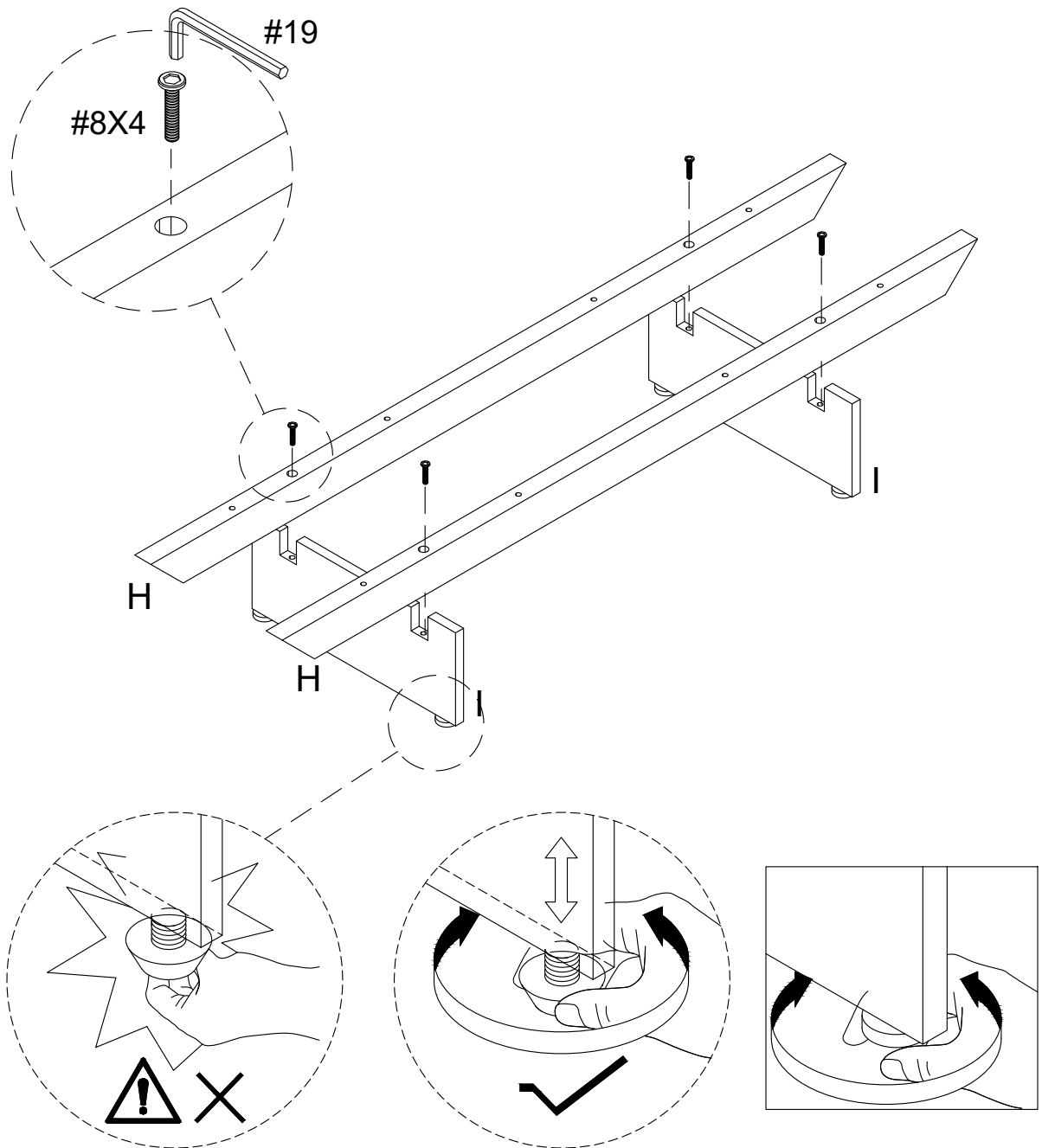
#3	x6
	
Ø8*30mm	

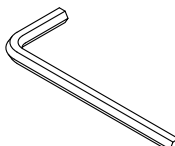
#4	x10
	
Ø7*40mm	

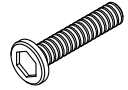
ASSEMBLY INSTRUCTIONS

STEP-5

Install the part H & I with screw #8, tighten the screws with Allen key #19.



#19	x1
	

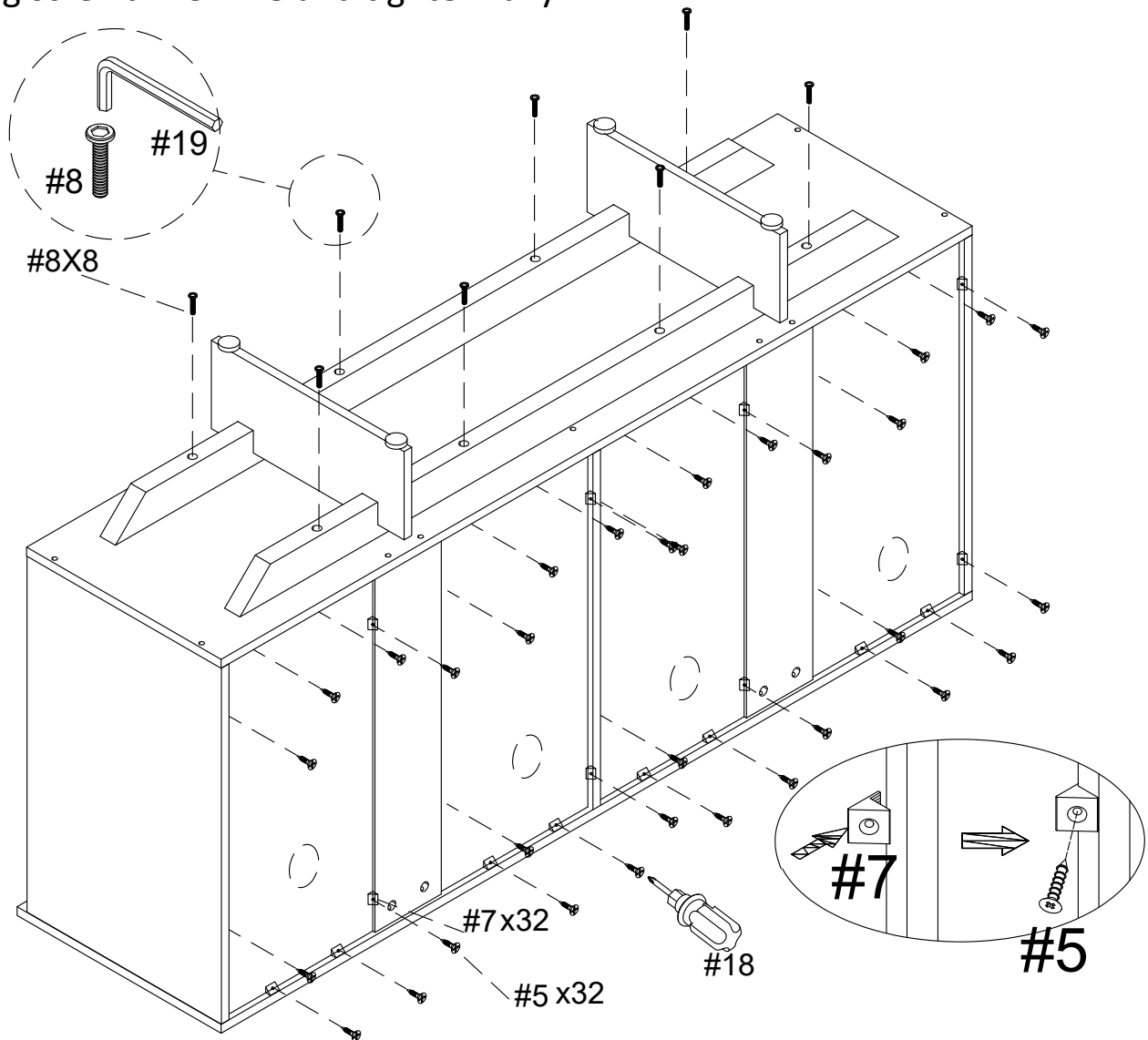
#8	x4
	
M6*50mm	

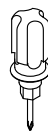
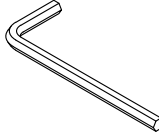

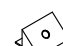
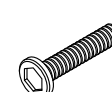
ASSEMBLY INSTRUCTIONS

STEP-6

Connect part H&I which prepared in STEP-5 to part B
align the holes in part B,
Insert screw #8, tighten the screws with Allen key #19.

Insert hardware #7 into part J&K as shown, screw in screw #5
using screwdriver #18 and tighten fully.

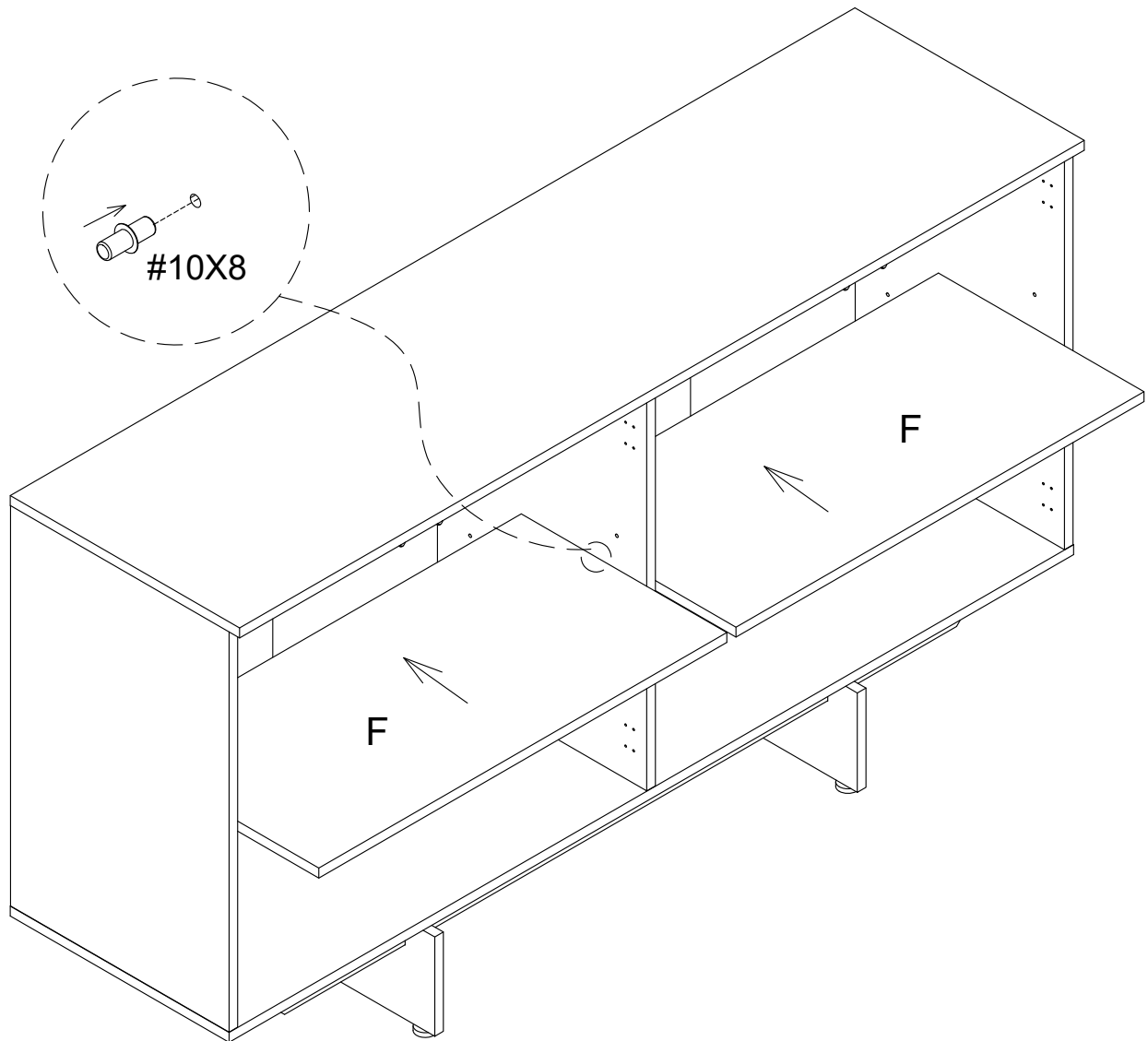



#18	x1	#19	x1	#5	x32	#7	x32	#8	x8
									
				Ø3.5*14mm				M6*50mm	

ASSEMBLY INSTRUCTIONS

STEP-7

Insert shelf pin #10 into the holes
attach adjustable shelf F to pin #10



#10	x8
	

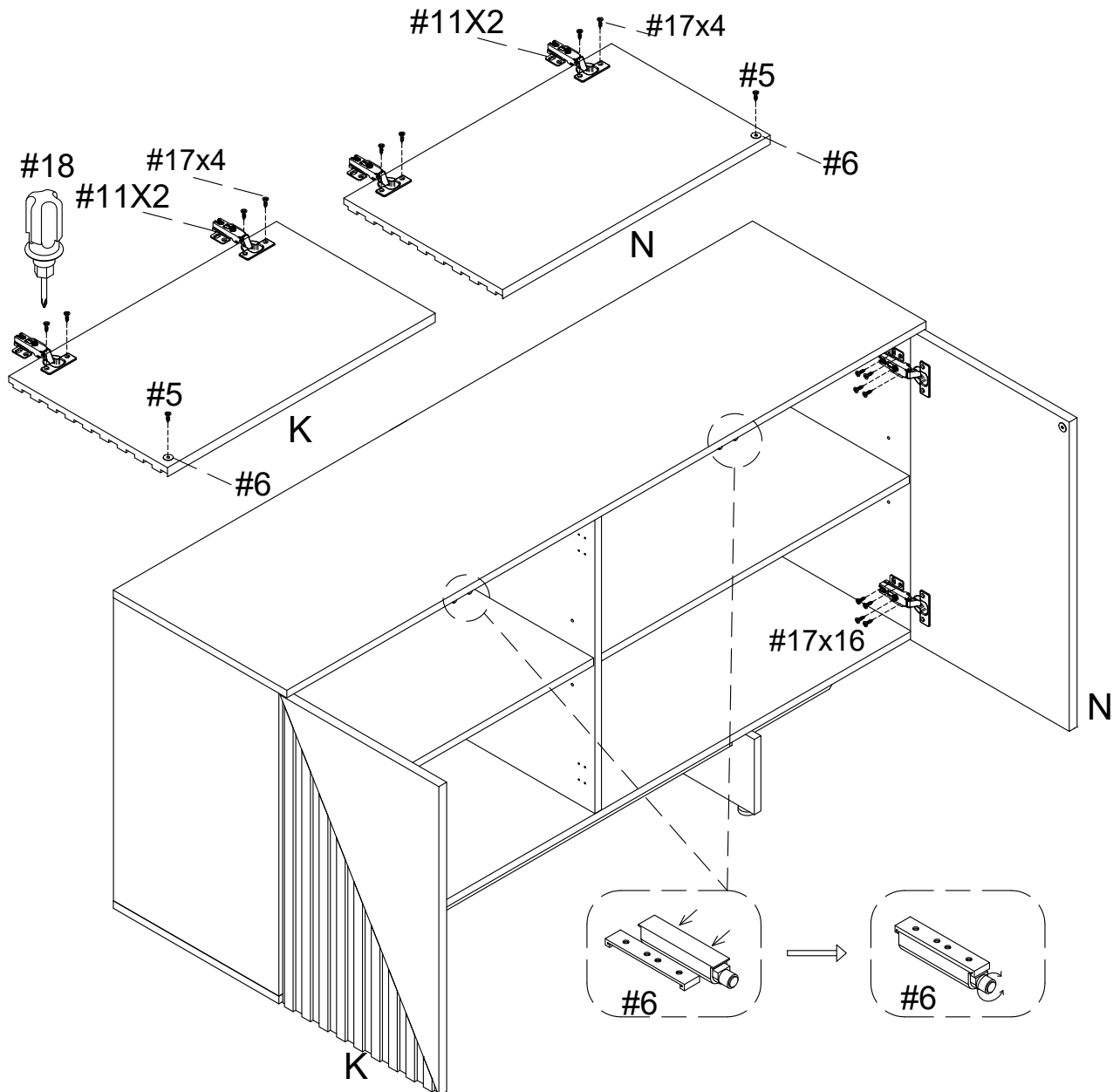
ASSEMBLY INSTRUCTIONS


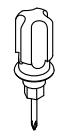
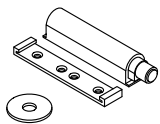

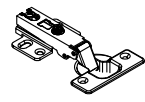
STEP-8

Use screw #17 to attach the hinges #11 to door panel (K&N), tighten screws #17 with screwdriver #18.

Use screw #5 to attach the circular hardware #6 to door panel (K&N), tighten screws #5 with screwdriver #18.

Push the cylindrical hardware #6 into the #6 which installed in STEP-1 as picture show



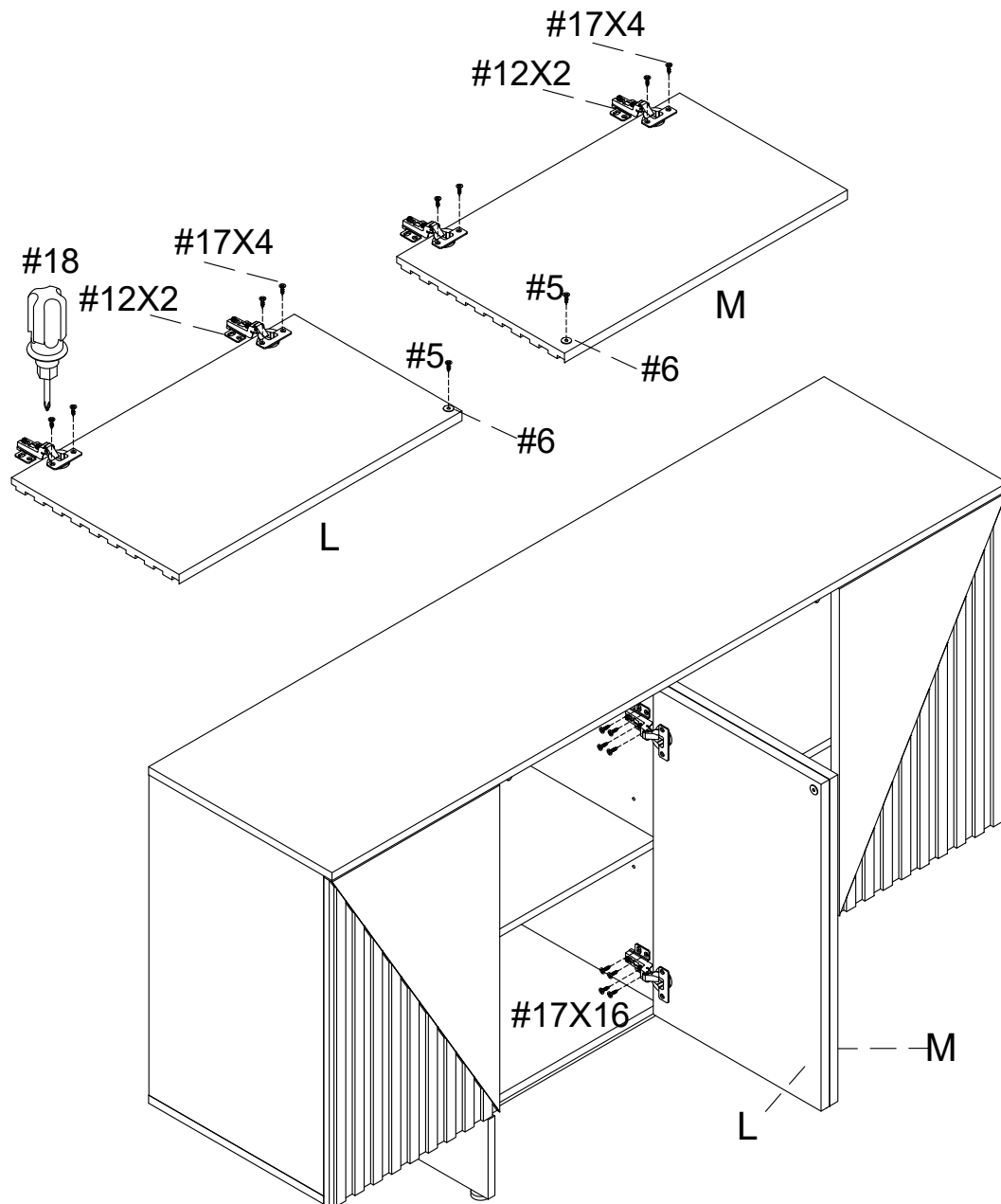
#17	x24	#18	x1	#6	x2	#5	x2	#11	x4
									
Ø4*14mm						Ø3.5*14mm			





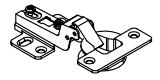
ASSEMBLY INSTRUCTIONS

STEP-9

Using the same method, Install the door M&L with screw#17 and hinge #12 screw #5 and circular hardware #6

Make sure that install the door L & M as picture show

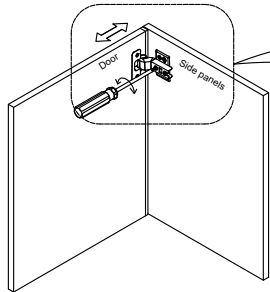


#17	x24	#18	x1	#6	x2	#5	x2	#12	x4
									
Ø4*14mm						Ø3.5*14mm			

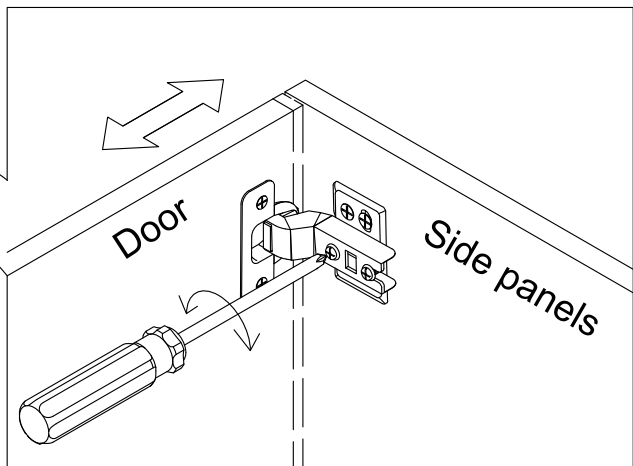
ASSEMBLY INSTRUCTIONS

STEP-10

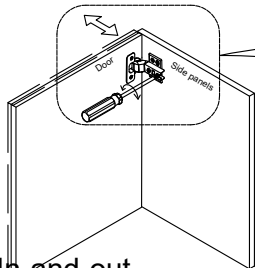
Concealed hinges are three-way adjustable:



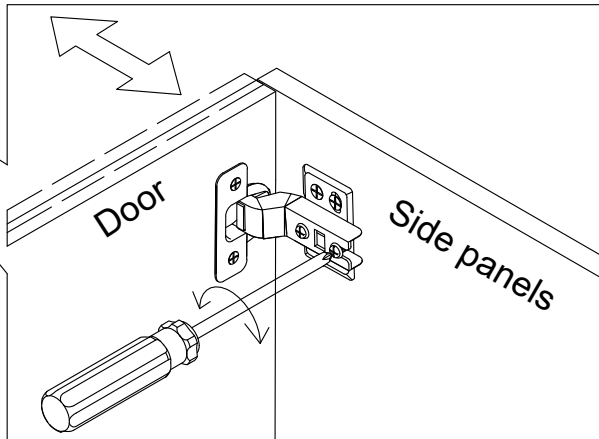
Horizontal
by screw adjustment!



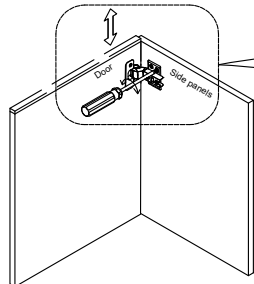
Concealed hinges are three-way adjustable:



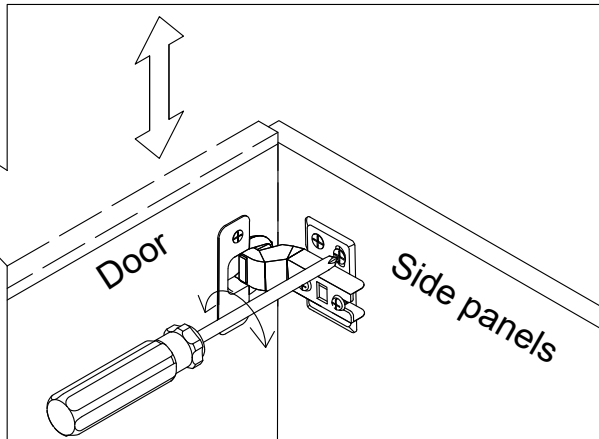
In-and-out
by loosening the hinge arm
mounting screw or via cam
adjustment!



Concealed hinges are three-way adjustable:



Vertical via slots in
the mounting plate
or via cam
adjustment!

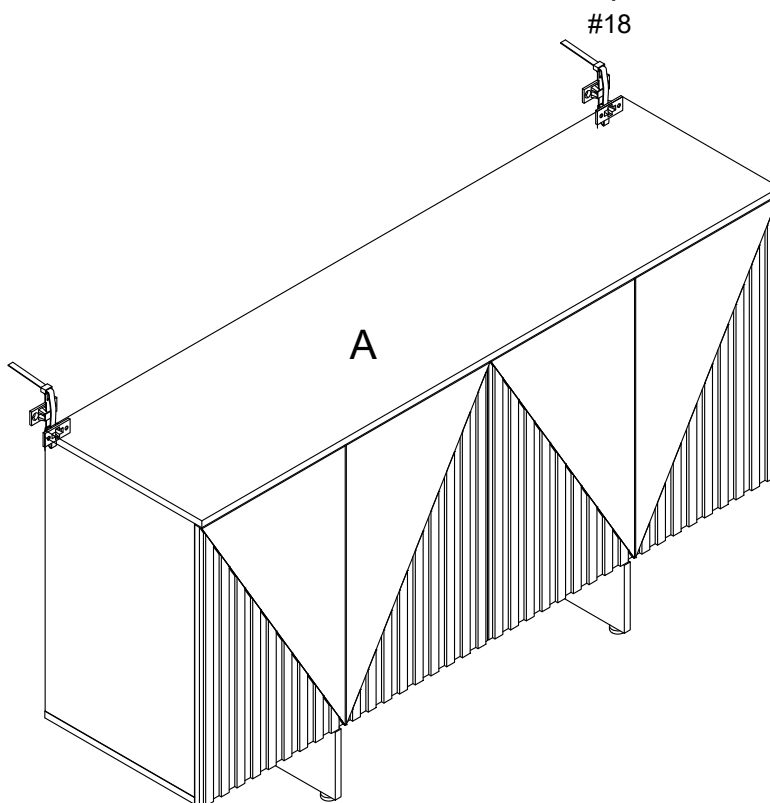
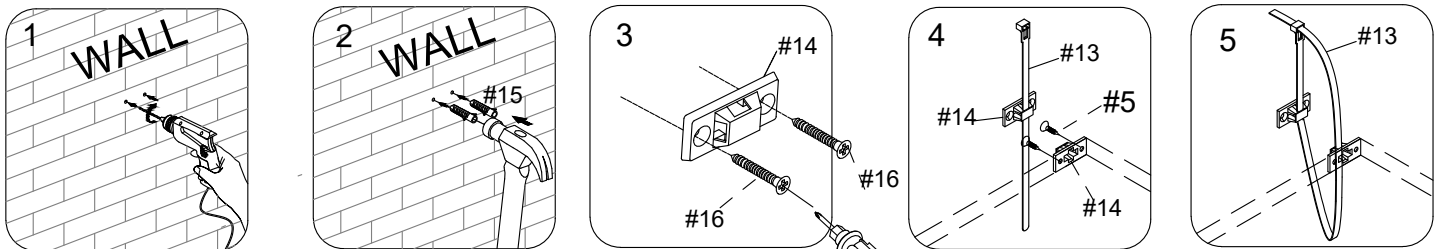





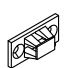


Hinge adjustment method

ASSEMBLY INSTRUCTIONS

STEP-11

1. Install the anti-collapse device.
2. Mark the position on the wall, that corresponds to the location of part (#14) on the Top panel (A); Drill and insert the expandable screw (#15) by hammer.
3. Assemble the part (#14) to the wall. Align the hole in the part (#14) with the expandable screw (#15), use screw (#16) to attach it and tighten by screwdriver (#18)
4. Assemble the part (#14) to the back of Part A. Align the hole in the part (#14), use screw (#5) to attach it and tighten by screwdriver (#18)
5. Let the plastic belt #13 pass through the both part #14 and pull tightly



#18	x1	#5	x4	#13	x2	#14	x4	#15	x4	#16	x4
											
		Ø3.5*14mm								Ø4*35mm	

WARRANTY

1. We strive to offer high-quality products, and we also try our best to satisfy each and every customer that orders from us with product or service as needed.
2. We provide 30 days warranty starting from the time you receive the item. Each customer must provide a record of their order such as the order number, or item receipt for any items that are out of the warranty period you may also still receive.
3. Replacement parts by purchasing them with our company if they are available.