
Assembly Instructions



Six-drawer Dresser

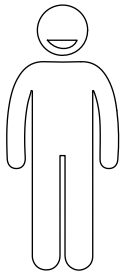
Call us!

We're here to help!

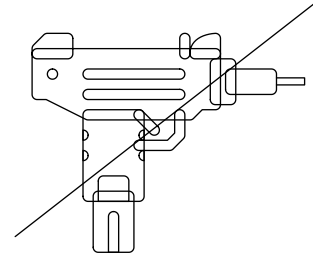
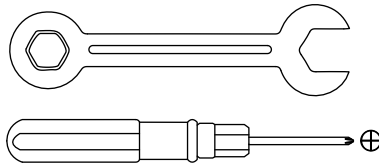
If you have any issues with this product, please contact our customer service team **before returning** it.

Assembly Instructions:

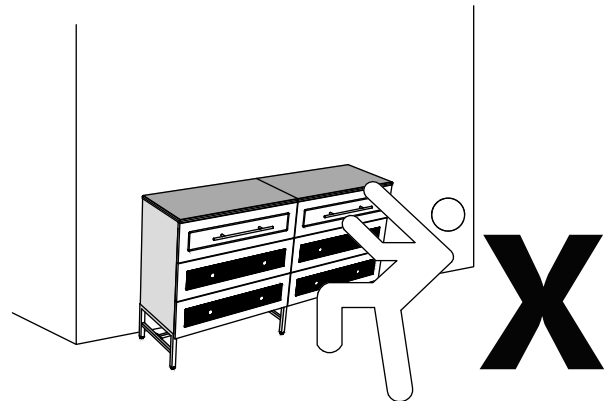
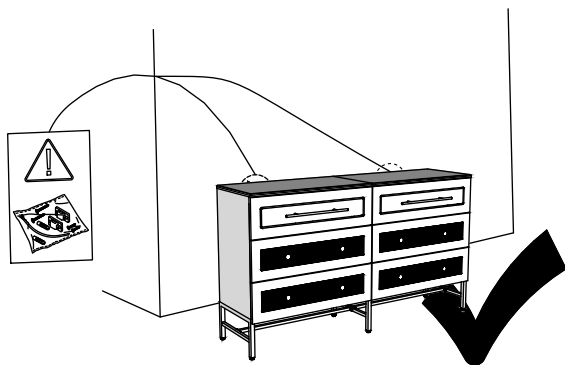
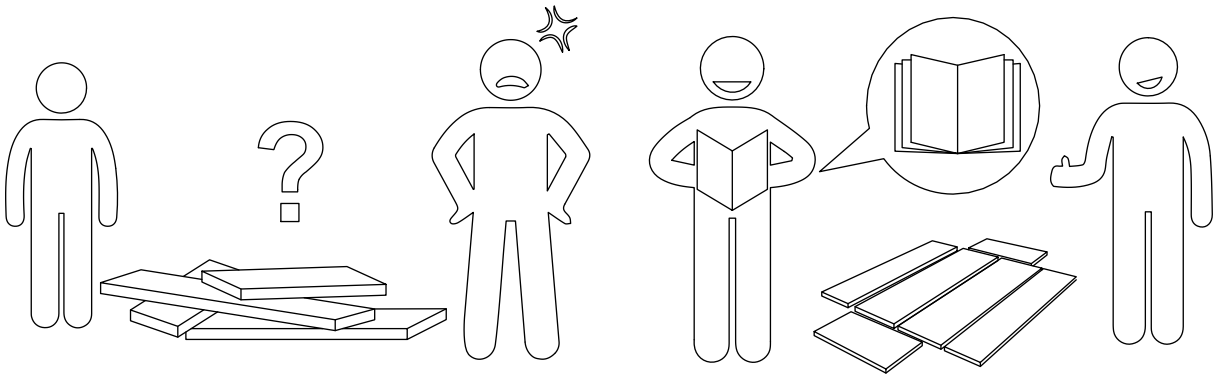
1. Carefully read these instructions and keep them for future reference.
2. Refer to the parts list for guidance and ensure that you have all the pieces before starting the assembly process, if anything is missing, damaged, incorrect, contact us **FIRSTLY BEFORE** assembling.
3. When assembling, place all parts on a soft, clean, and flat surface, such as a carpet, to prevent any scratches.
4. To avoid misalignment of the holes, Please don't full tighten the screws until you ensure all parts in place.



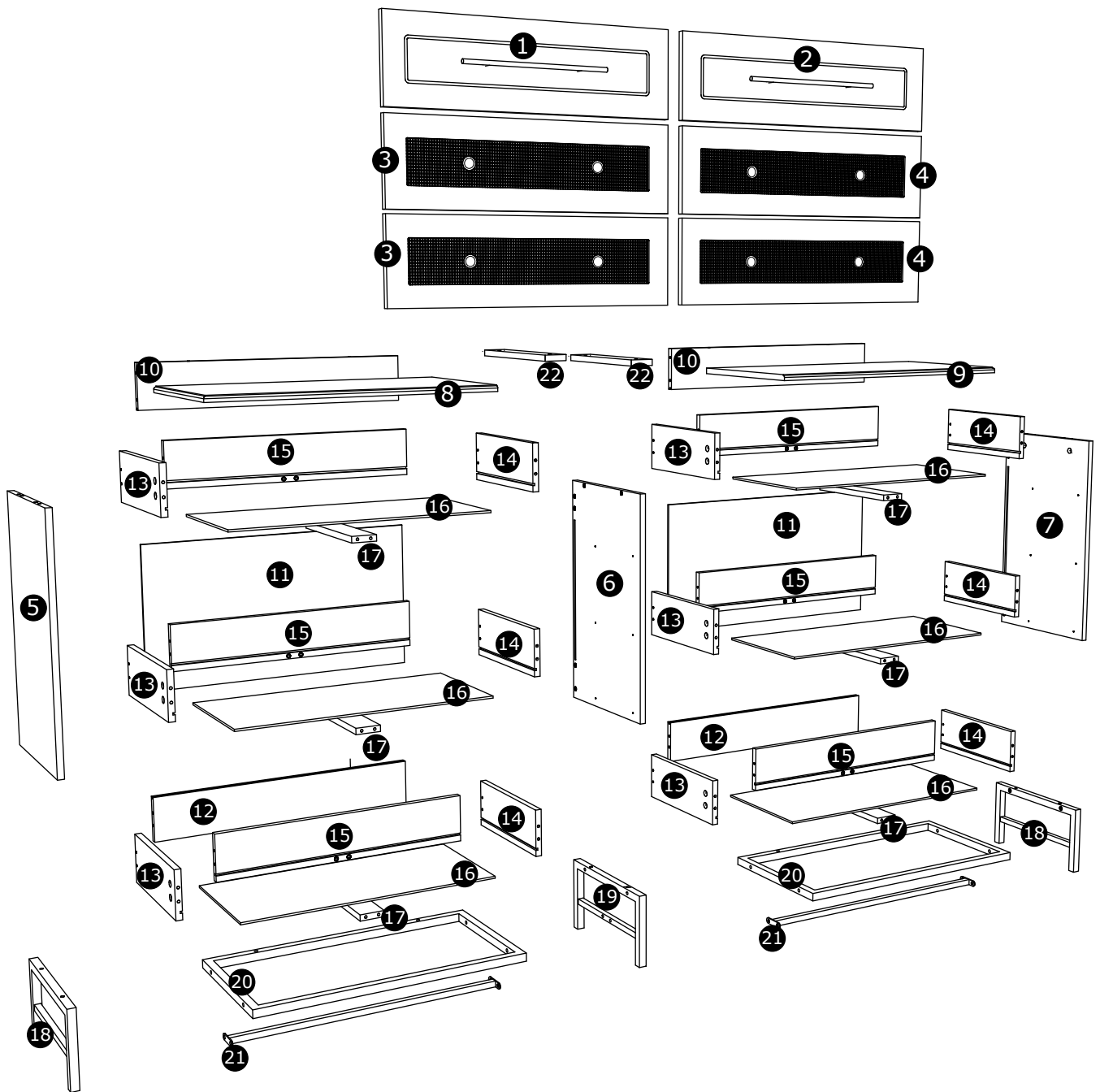
X2



When using the electric screwdriver ,
Reduce the power and torque to avoid damaging the furniture



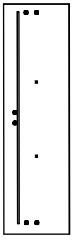
(Install tip-over restraint provided)
Use of tip-over restraints may only reduce but not eliminate,
the risk of tip-over.



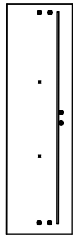
! Caution

Make sure all parts are included. Most board parts are labeled or stamped on the raw edge. Contact us for free replacement if having damaged or missing parts.

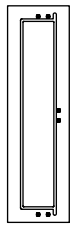
Parts & Hardware List



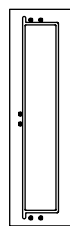
1 1pc



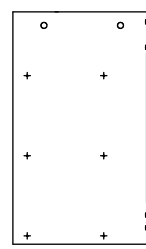
2 1pc



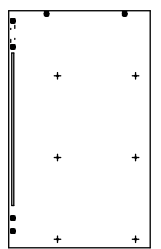
3 2pcs



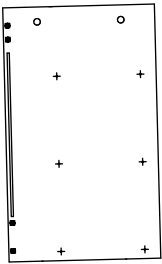
4 2pcs



5 1pc



6 1pc



7 1pc



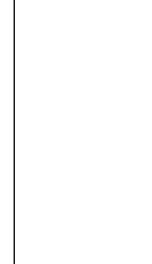
8 1pc



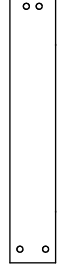
9 1pc



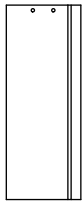
10 2pcs



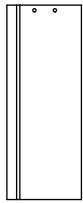
11 2pcs



12 2pcs



13 6pcs



14 6pcs



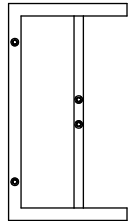
15 6pcs



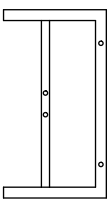
16 6pcs



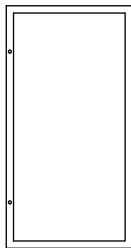
17 6pcs



18 2pcs



19 1pc



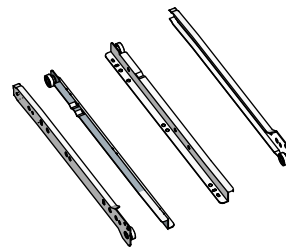
20 2pcs



21 2pcs



22 2pcs



23 6pcs



24 2pcs

Hardware List



φ 15*12

A

76pcs



M6*40

B

76pcs



M4*14

C

8pcs



M4*20

D

4pcs



M6*25

E

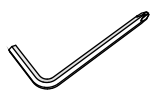
4pcs



M6*3

F

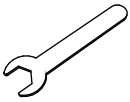
4pcs



M4

G

1pc



H

1pc



M6*10

I

4pcs



M6*35

J

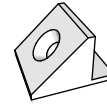
6pcs



M6*15

K

6pcs



L

12pcs



M7*50

M

10pcs



φ 8*30

N

4pcs



M5*50

O

24pcs



M3.5*14

P

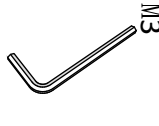
60pcs



M6*80

Q

2pcs



M3

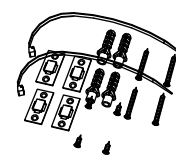
R

1pc



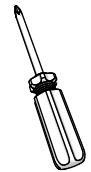
S

8pcs



T

1pc

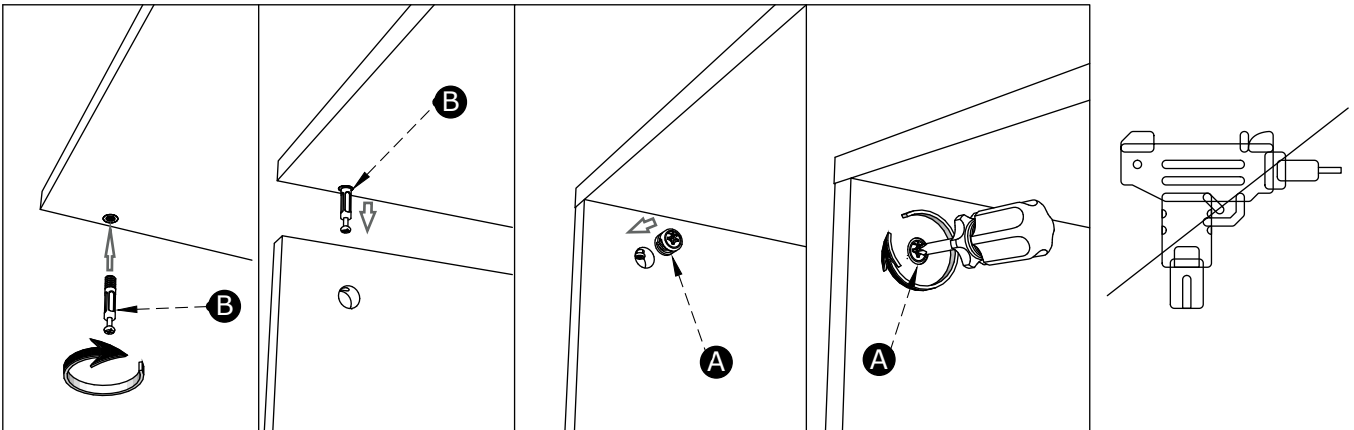


U

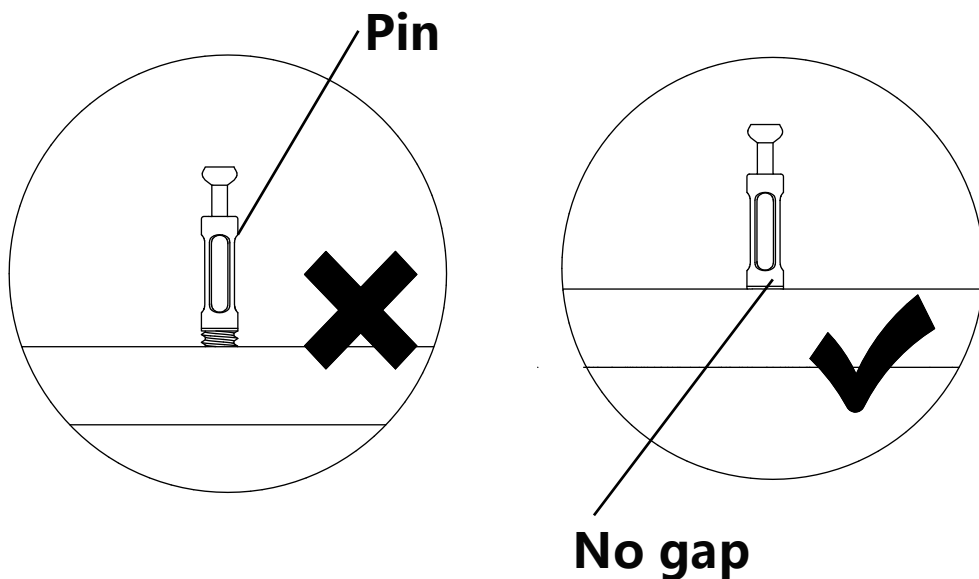
1pc

Installation of Cams and Pins

Screw the pin into the hole. To set the cams correctly, ensure that the arrow on the cam is opening to the hole of the pin it is locking. Lock the cam by turning the cam head with a screwdriver until it is tightened. Please do not use an electric screwdriver to assemble the unit.



Read each step carefully before starting. It is very important that each step of instruction is performed in the correct order. If these steps are not followed in sequence, assembly difficulties will occur.



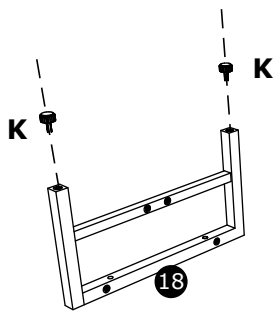
1



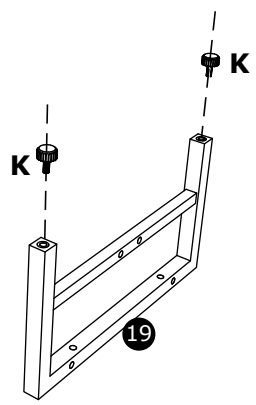
M6*15

K

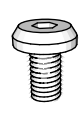
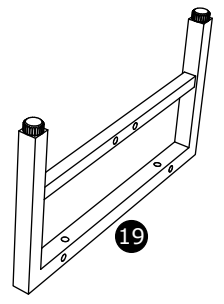
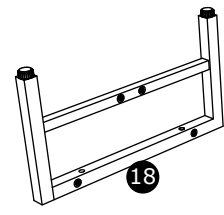
6pcs



X2



X2



M6*35



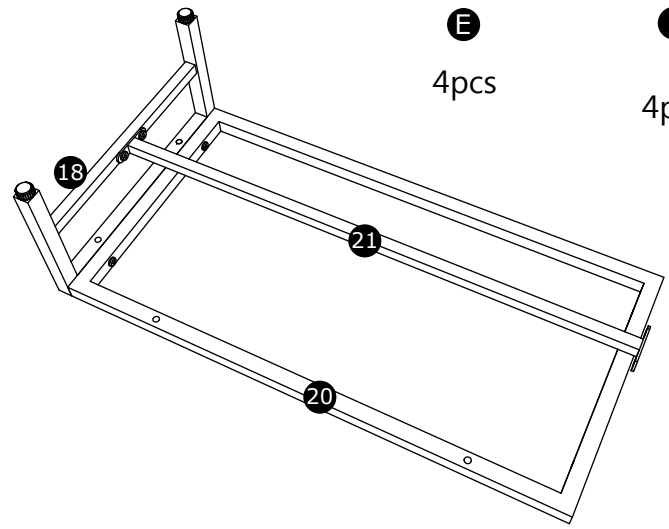
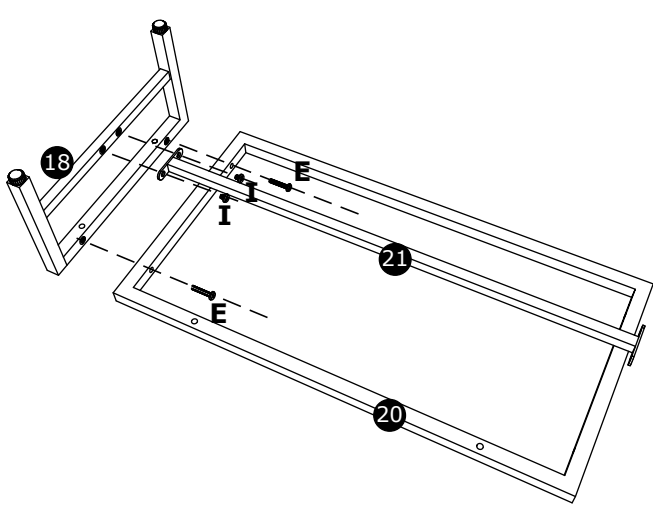
M6*10

E

4pcs

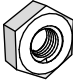


I

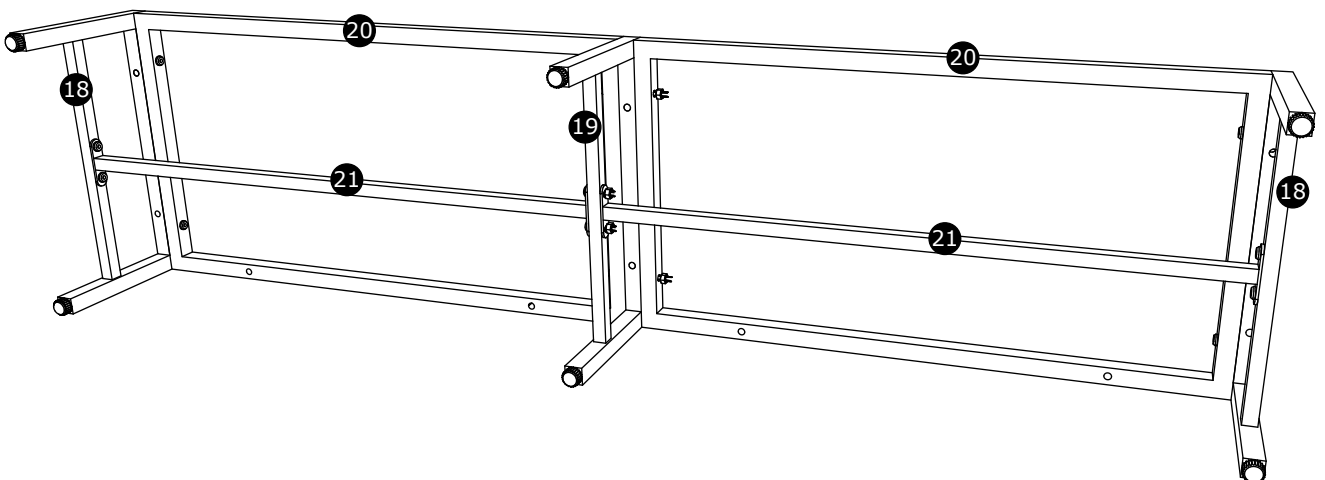
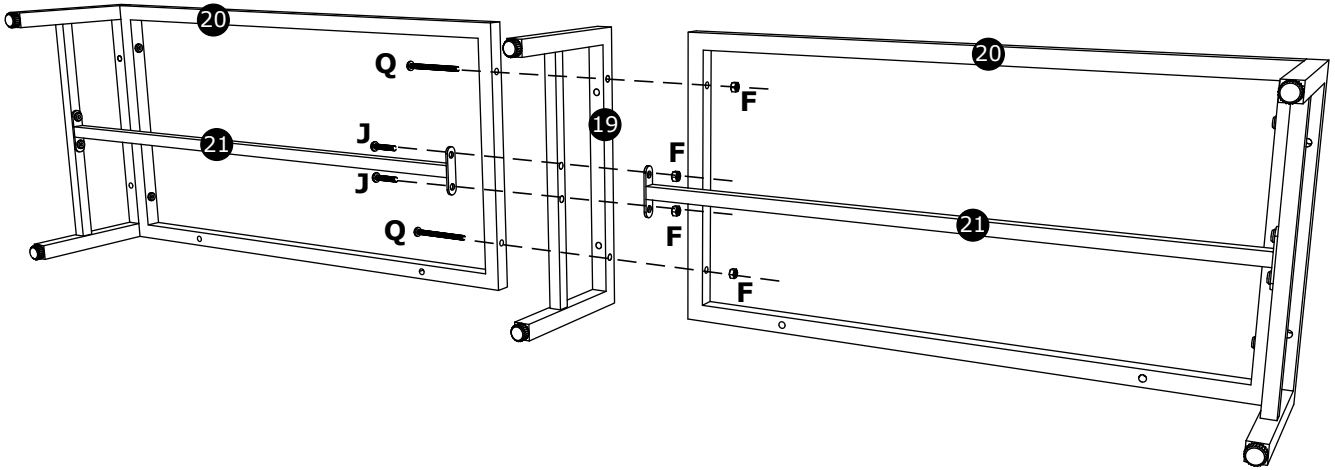
4pcs



X2

2

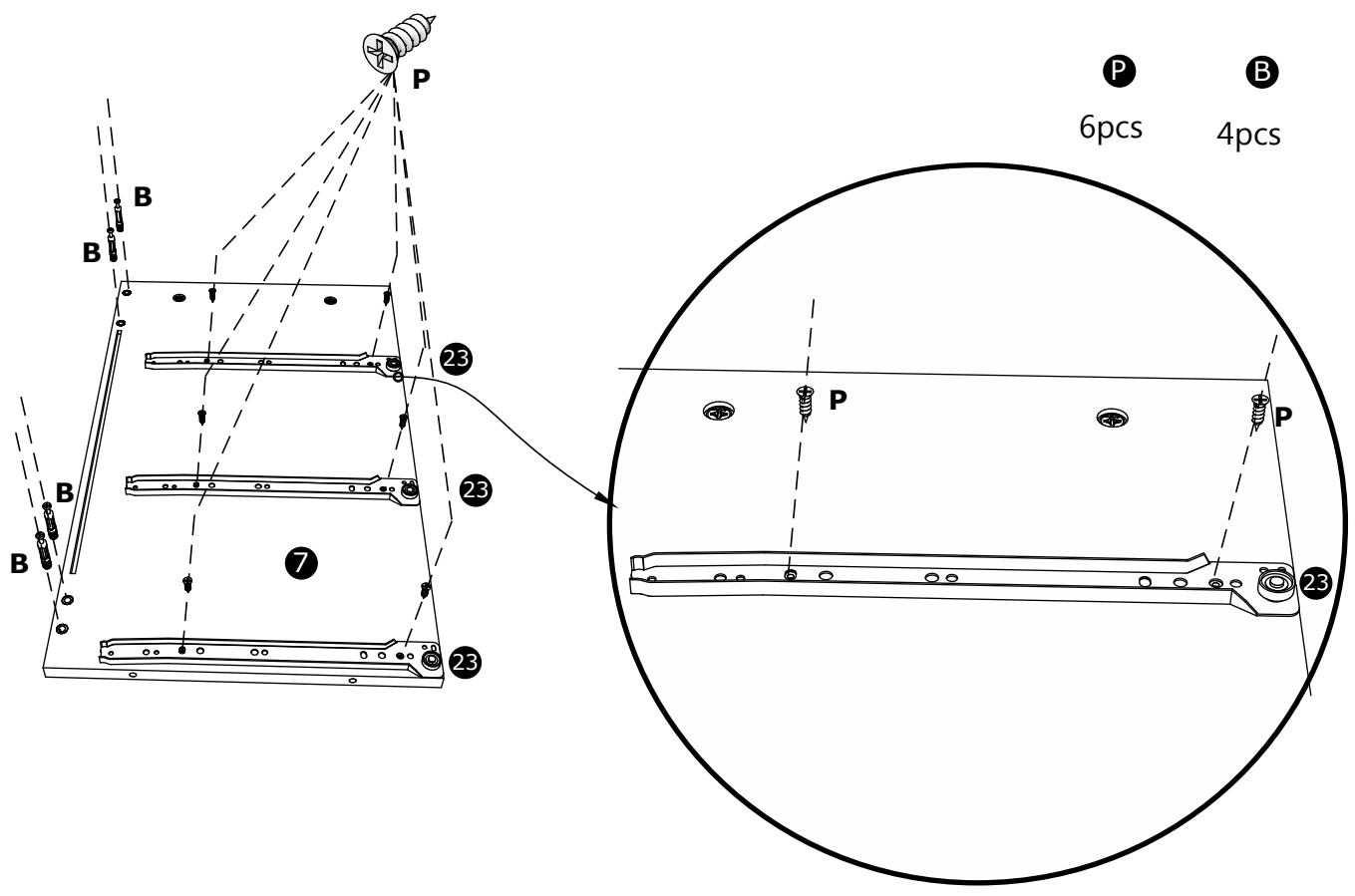
- | | | | | | |
|-------------------------------------------------------------------------------------|------|-------------------------------------------------------------------------------------|-------|-------------------------------------------------------------------------------------|-------|
|  | M6*3 |  | M6*35 |  | M6*80 |
| F | | J | | Q | |
| 4pcs | | 2pcs | | 2pcs | |



3

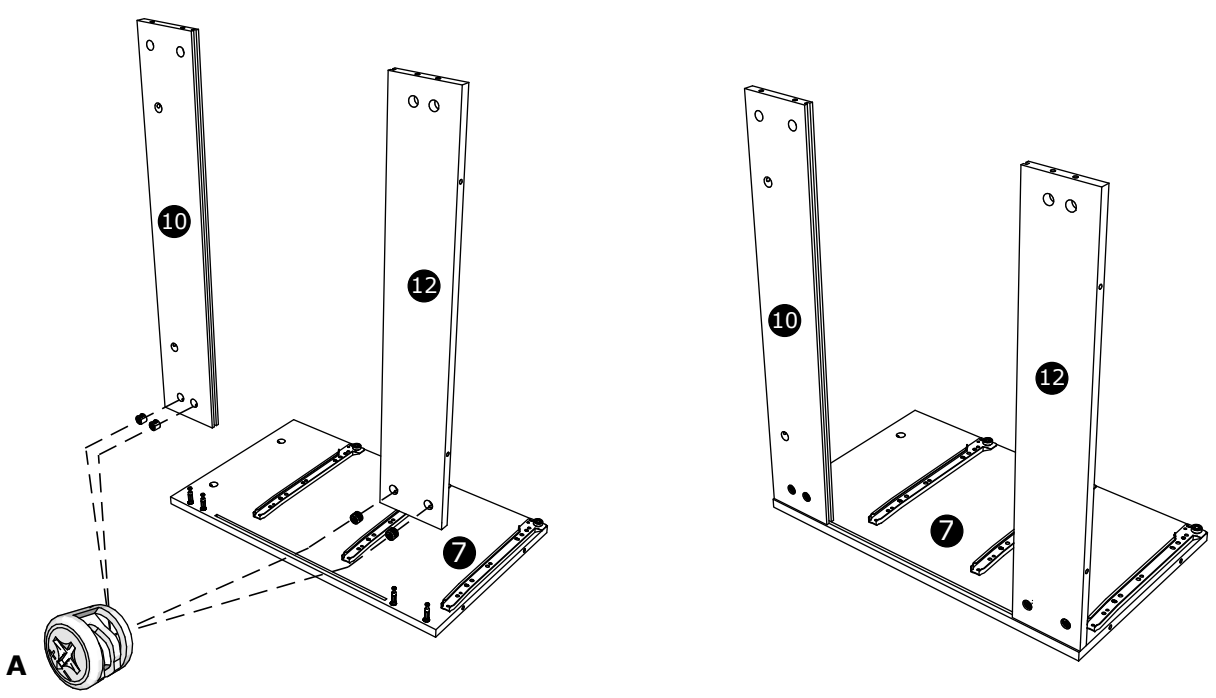
M3.5*14
M6*40

P 6pcs
B 4pcs

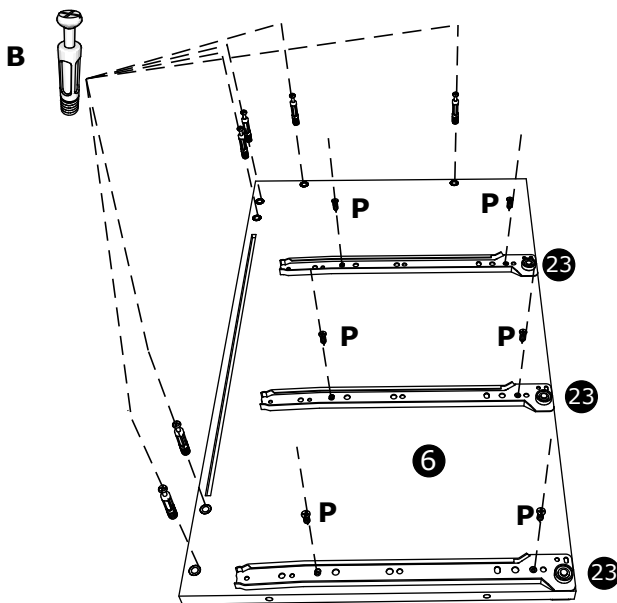
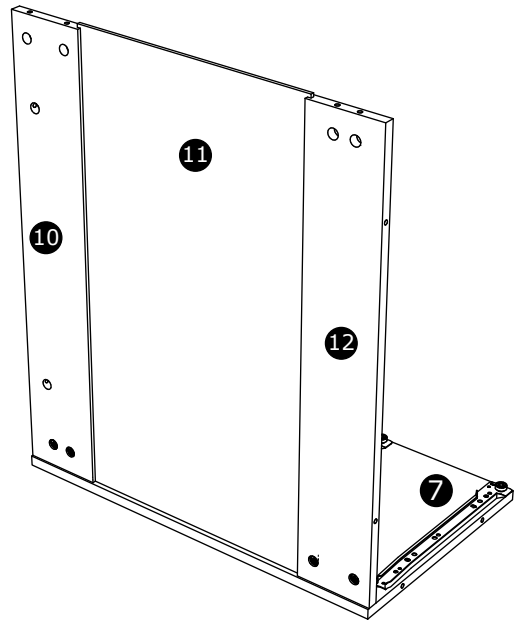
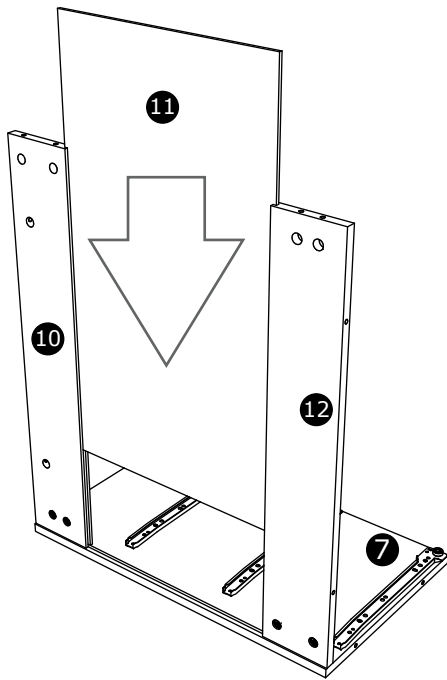


$\phi 15*12$

A 4pcs



4



M3.5*14



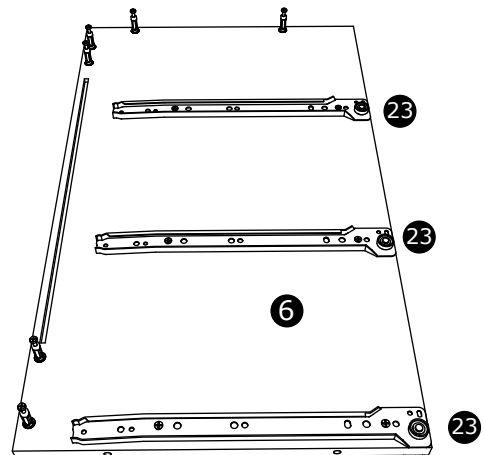
M6*40

P

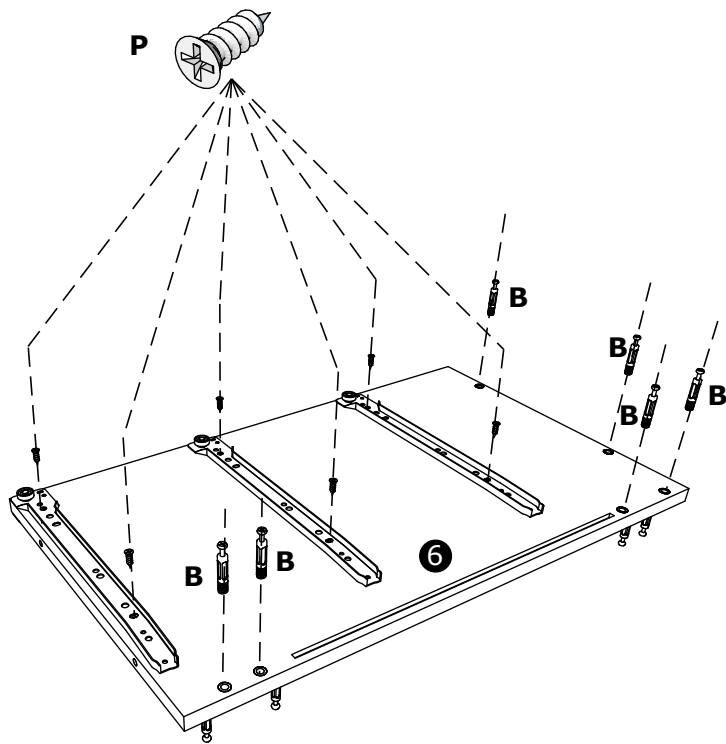
6pcs

B

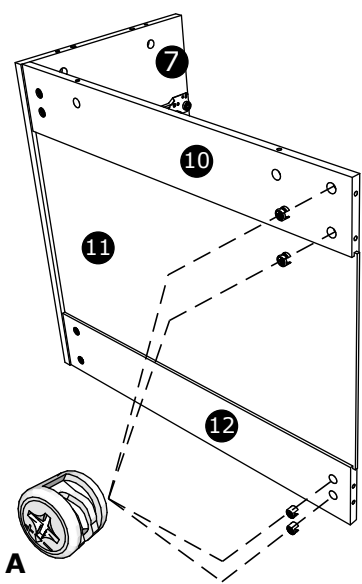
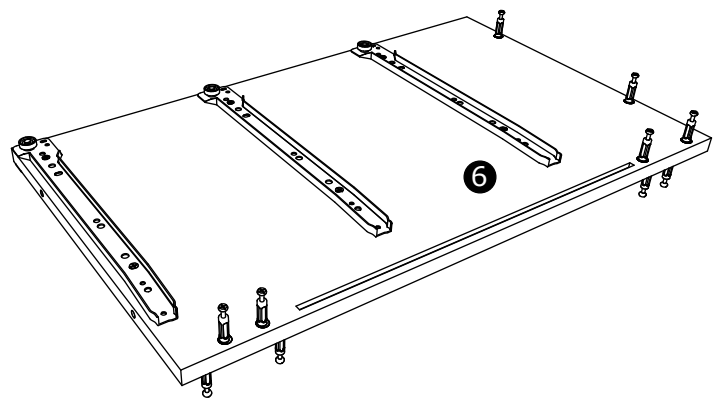
6pcs



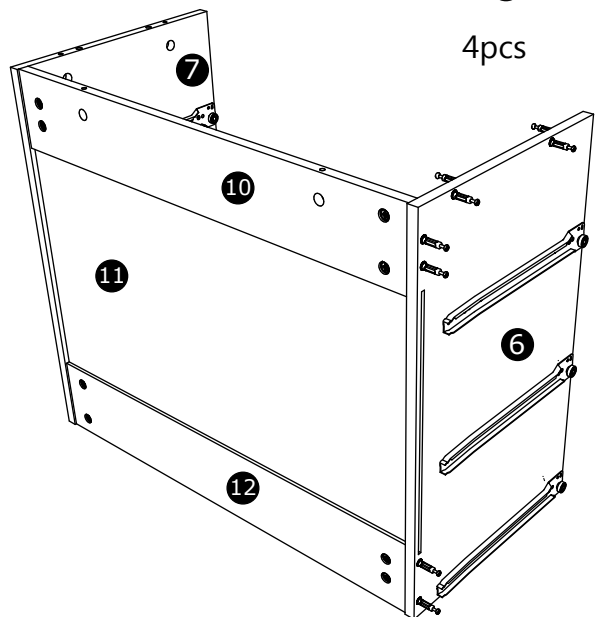
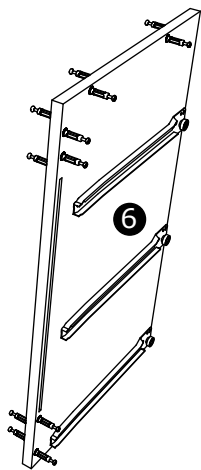
5



- M3.5*14
- M6*40
- P 6pcs
- B 6pcs



- $\phi 15*12$
- A 4pcs



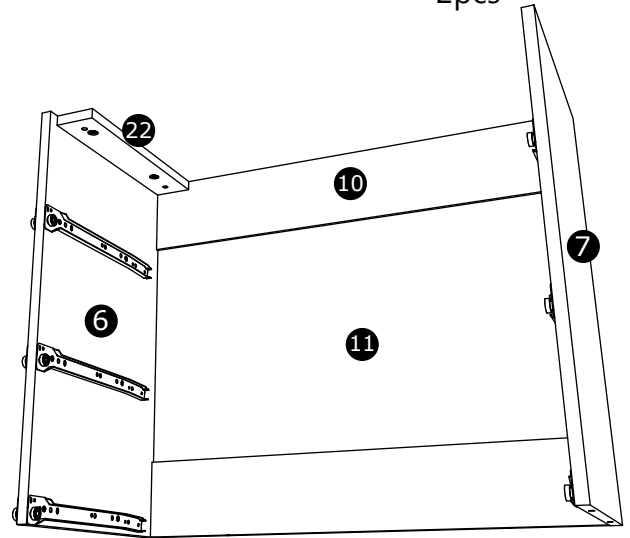
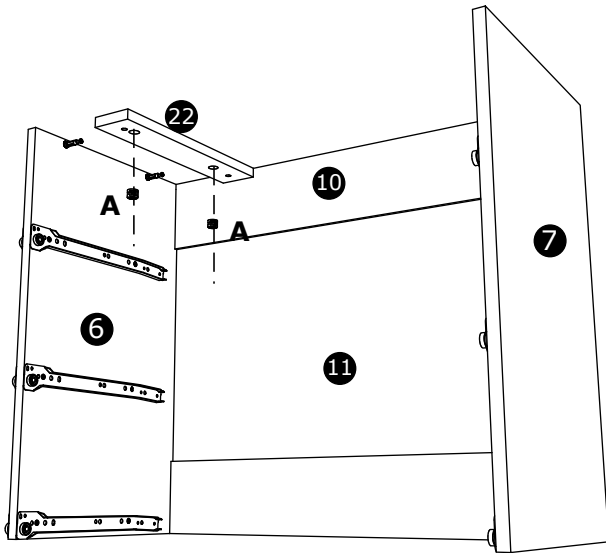
6



φ 15*12

A

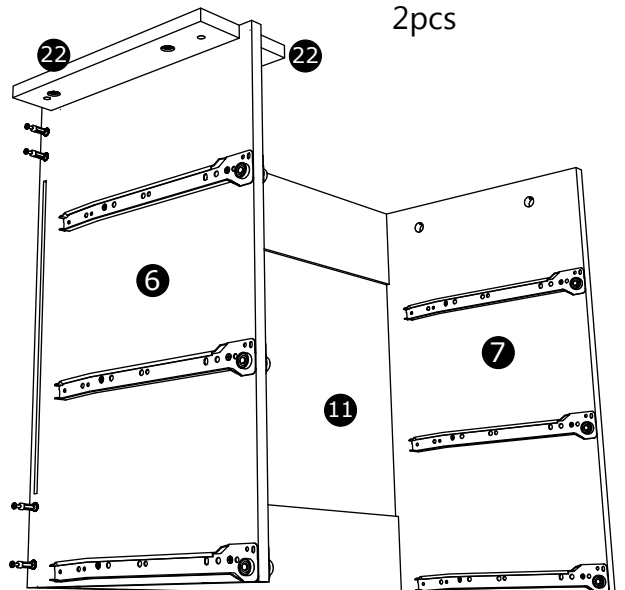
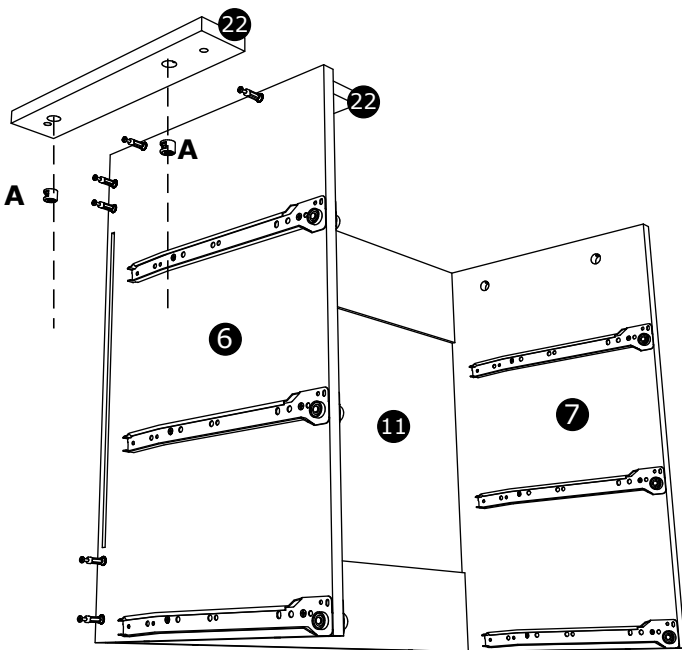
2pcs



φ 15*12

A

2pcs



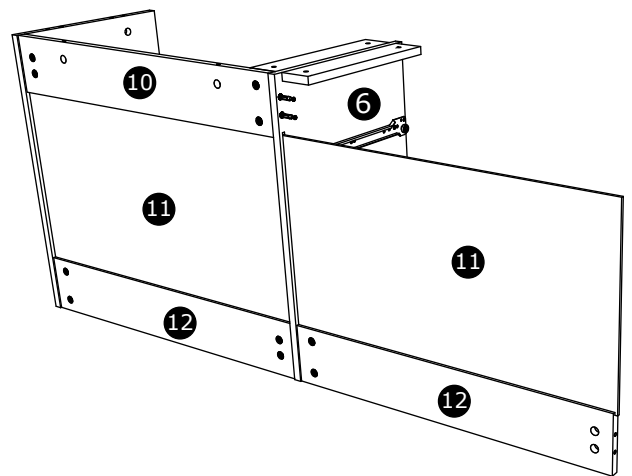
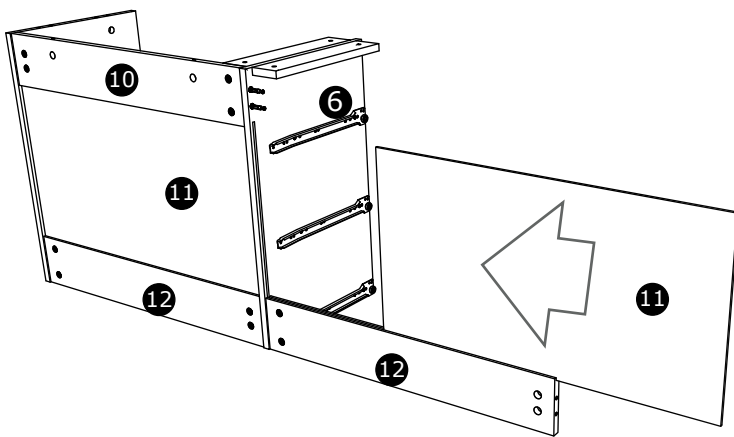
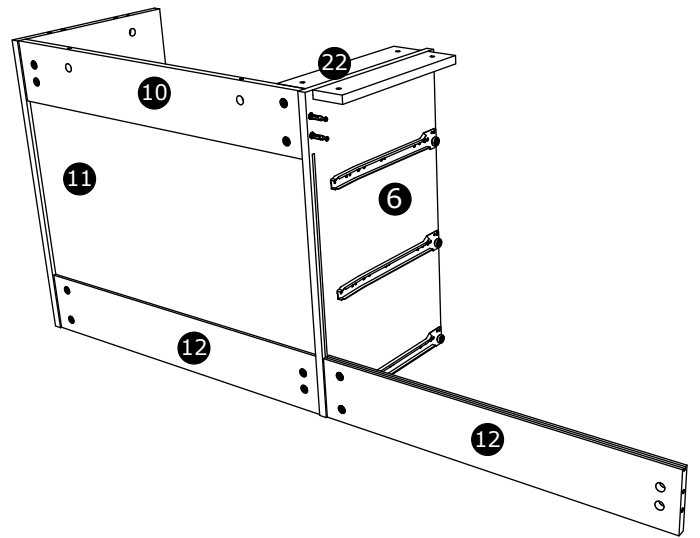
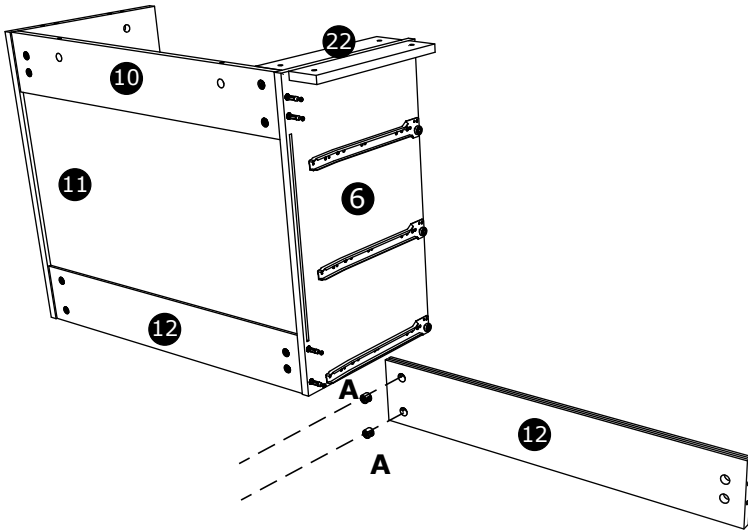
7



φ 15*12

A

2pcs



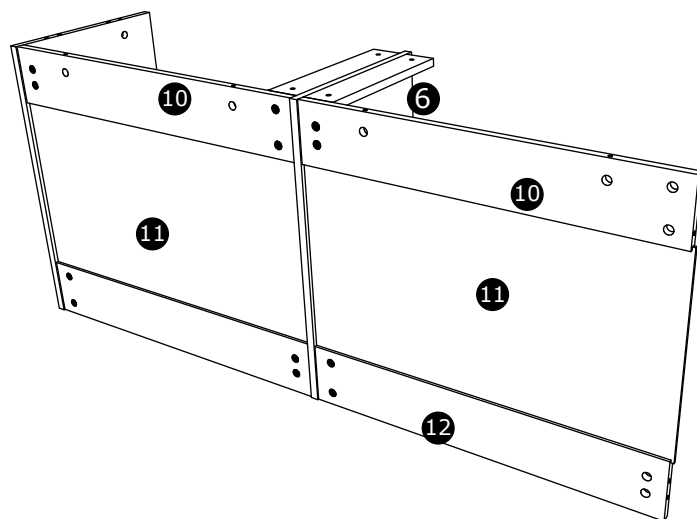
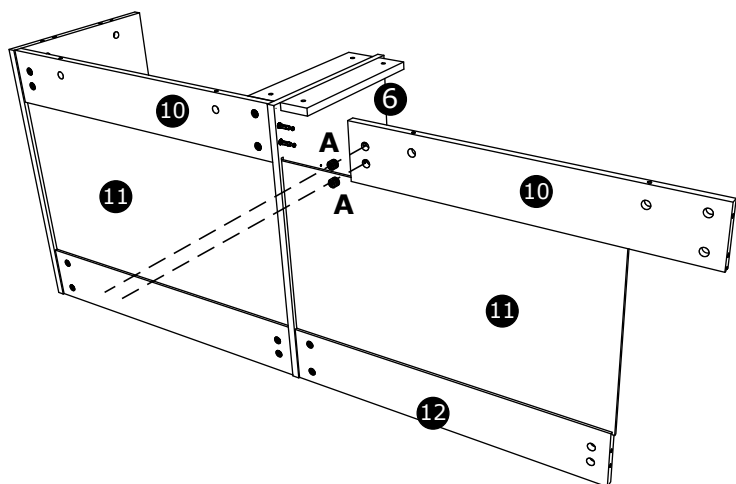
8



φ 15*12

A

2pcs



M6*40



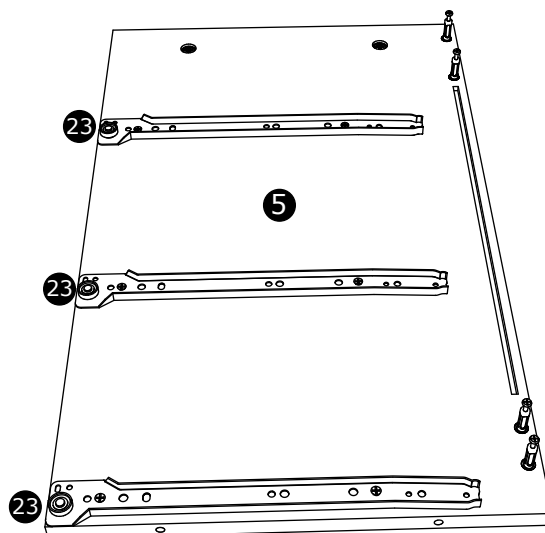
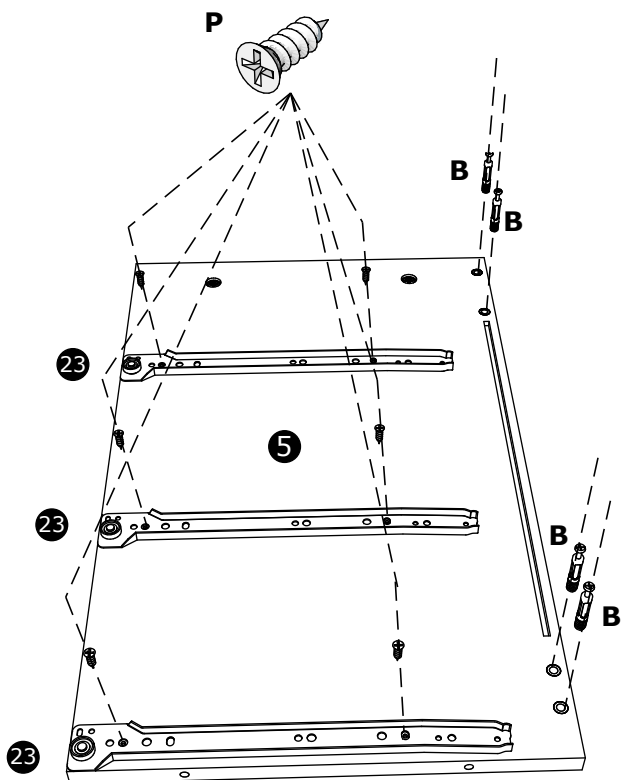
M3.5*14

B

4pcs

P

6pcs



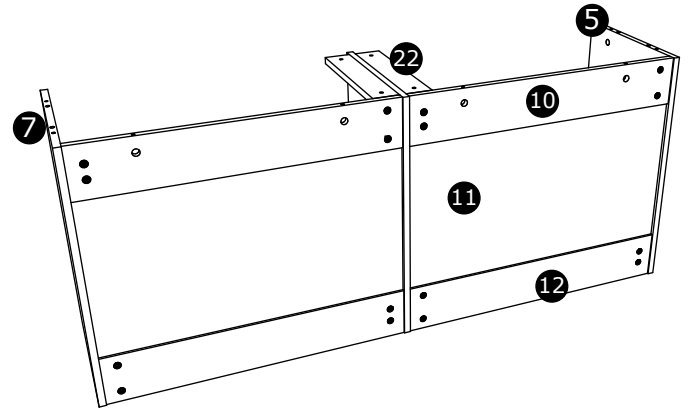
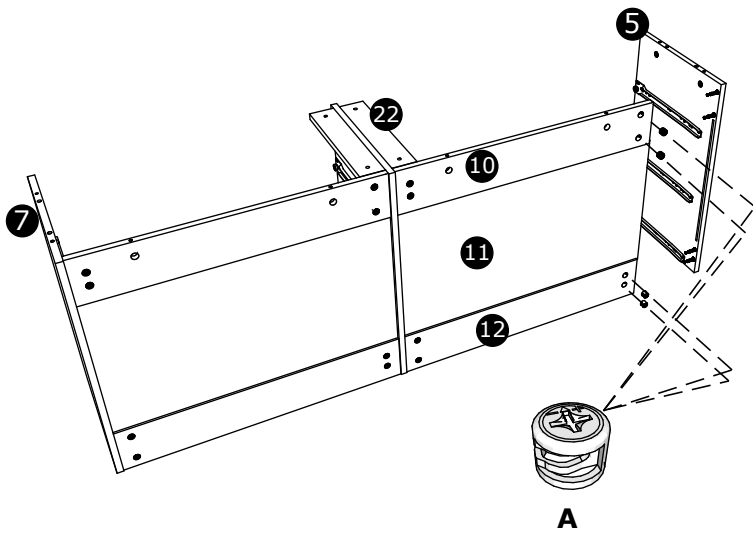
9



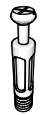
φ 15*12

A

4pcs



φ 8*30



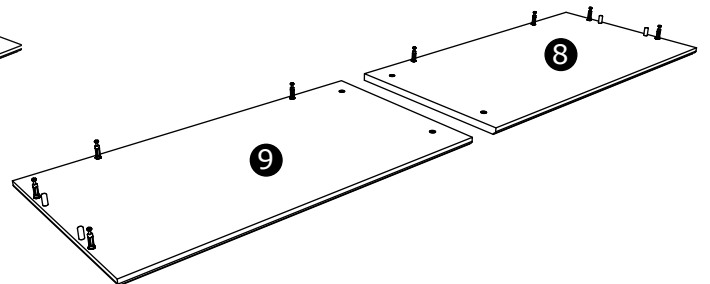
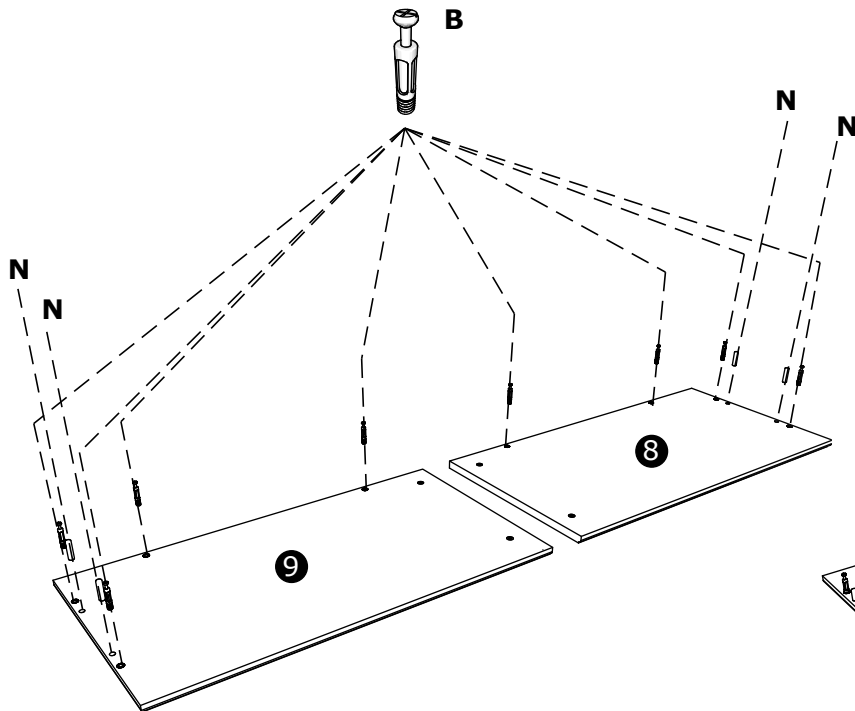
M6*40

N

4pcs

B

8pcs



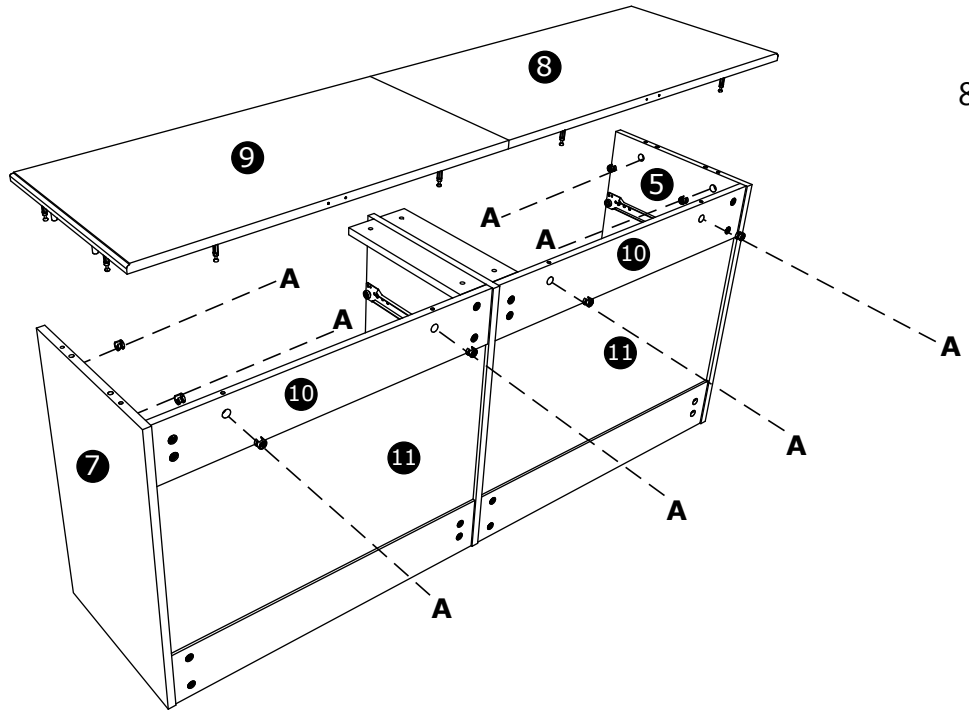
10



φ 15*12

A

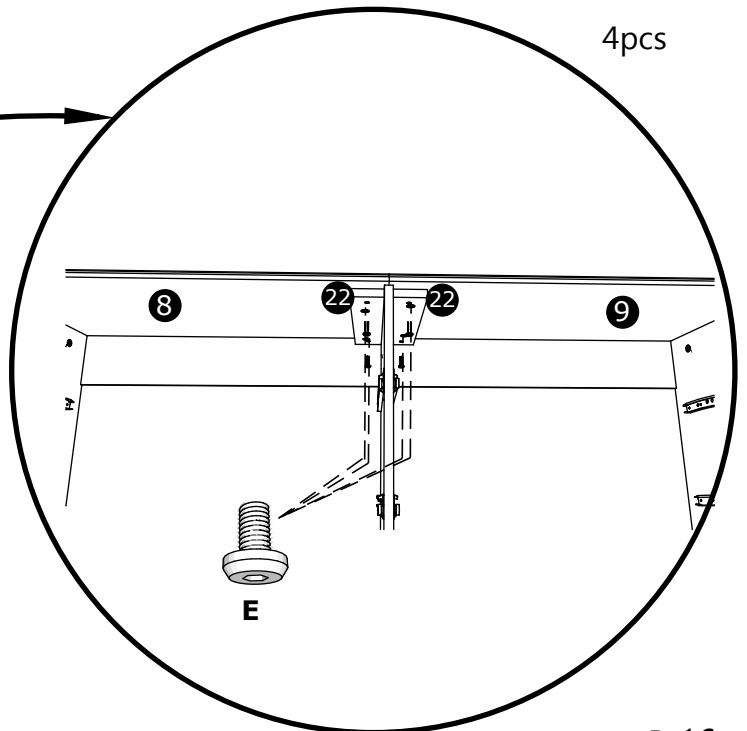
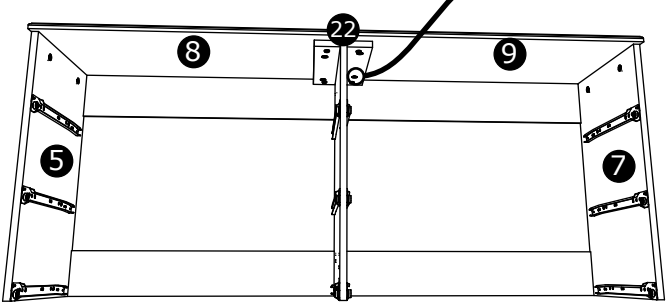
8pcs

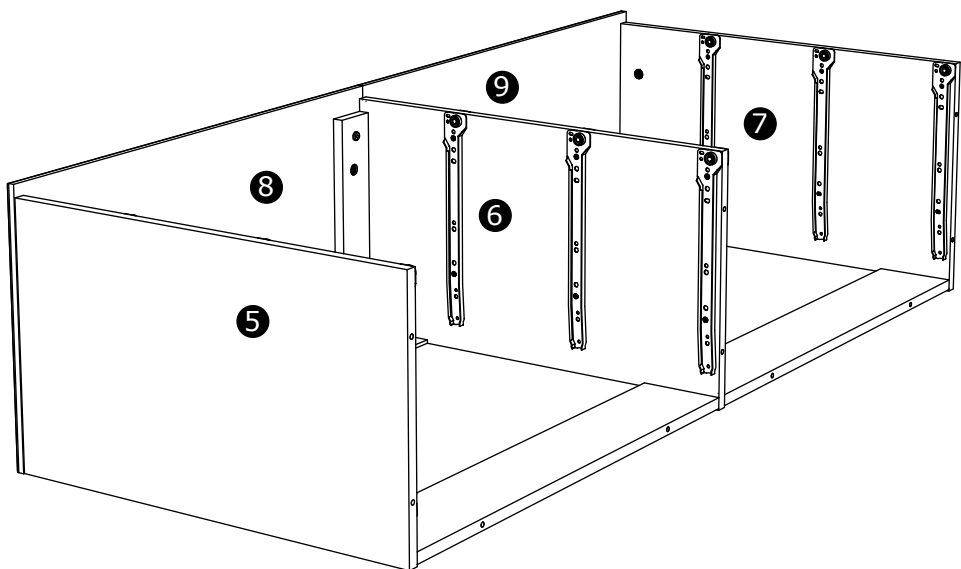
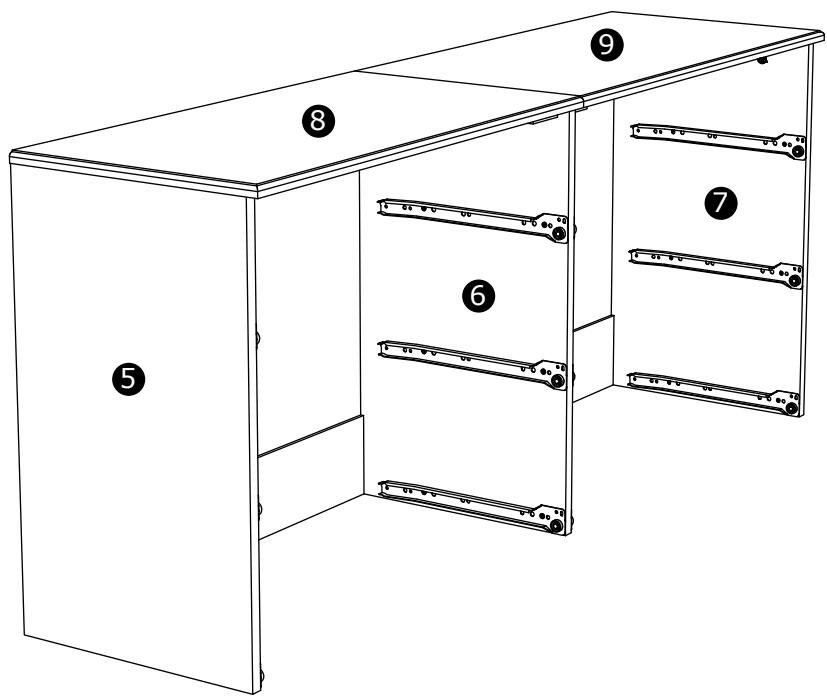


M6*25

E

4pcs



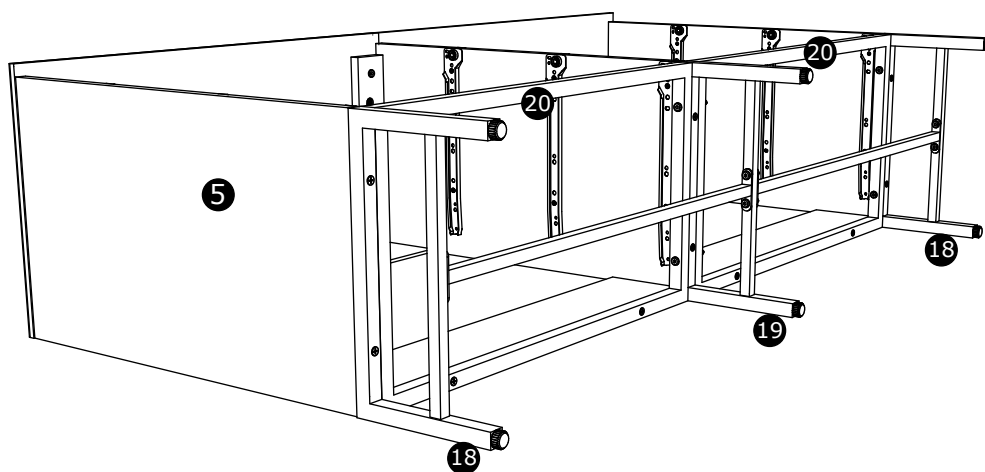
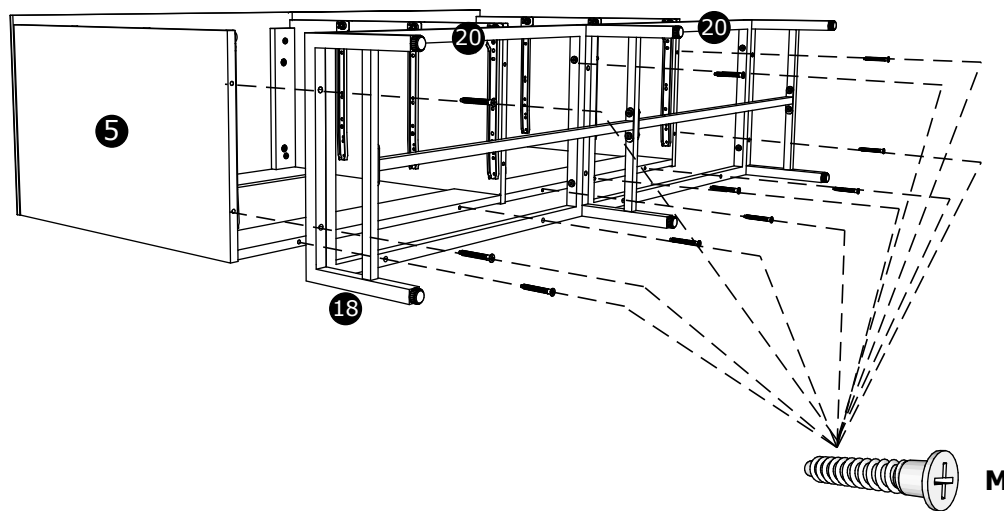


12

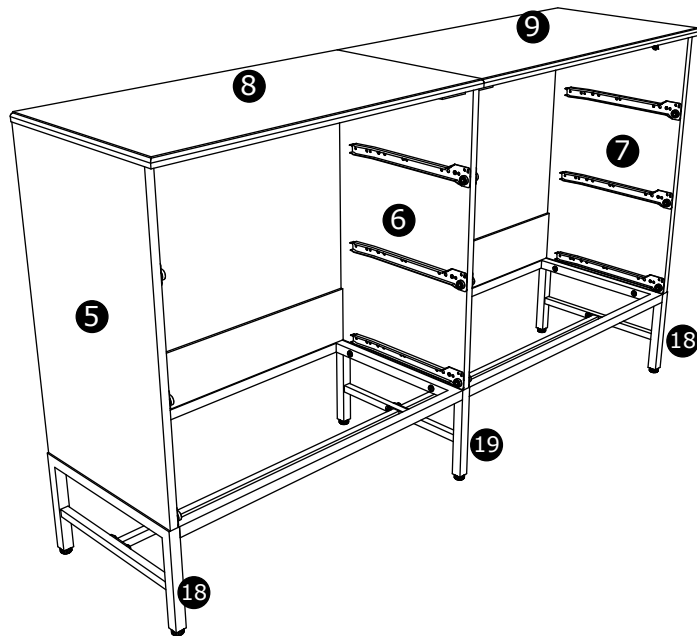


M

10pcs



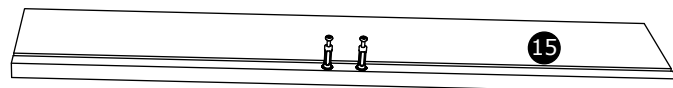
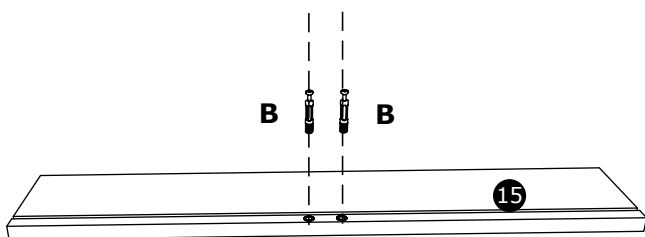
13



M6*40

B

12pcs

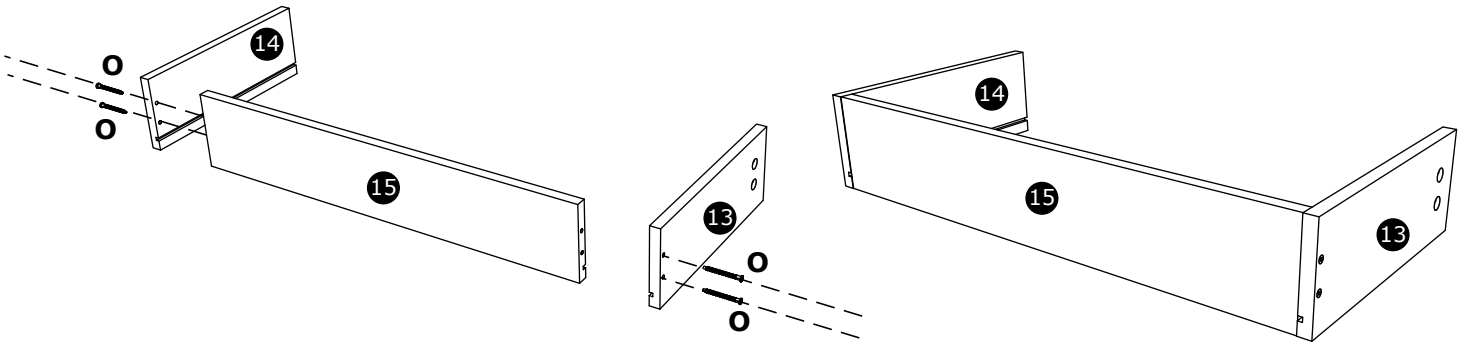


X6

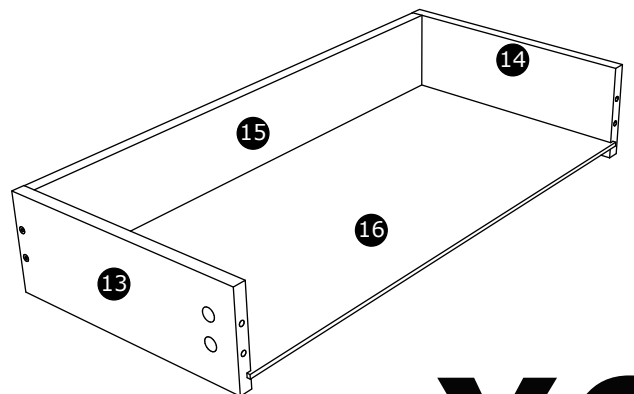
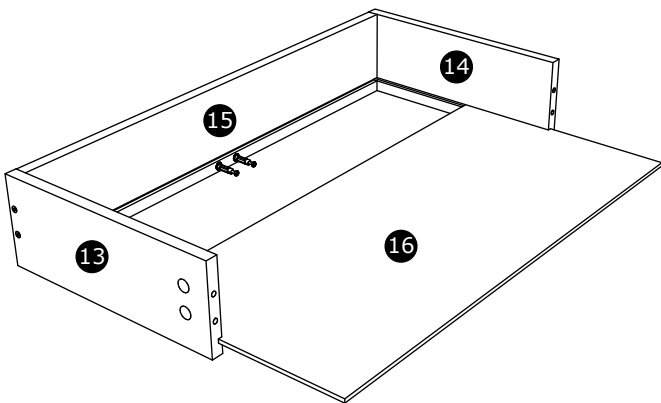
14



24pcs



X6



X6

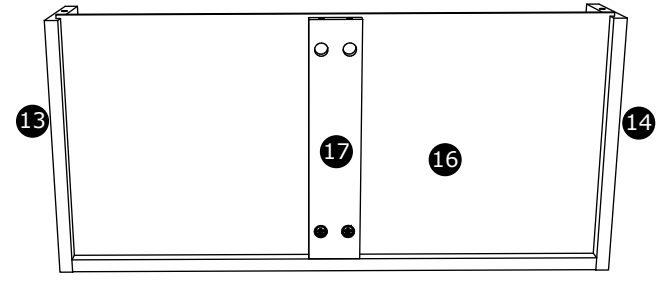
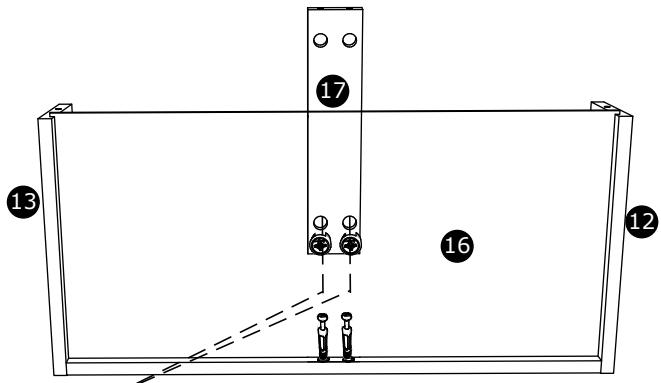
15



φ 15*12

A

12pcs



A

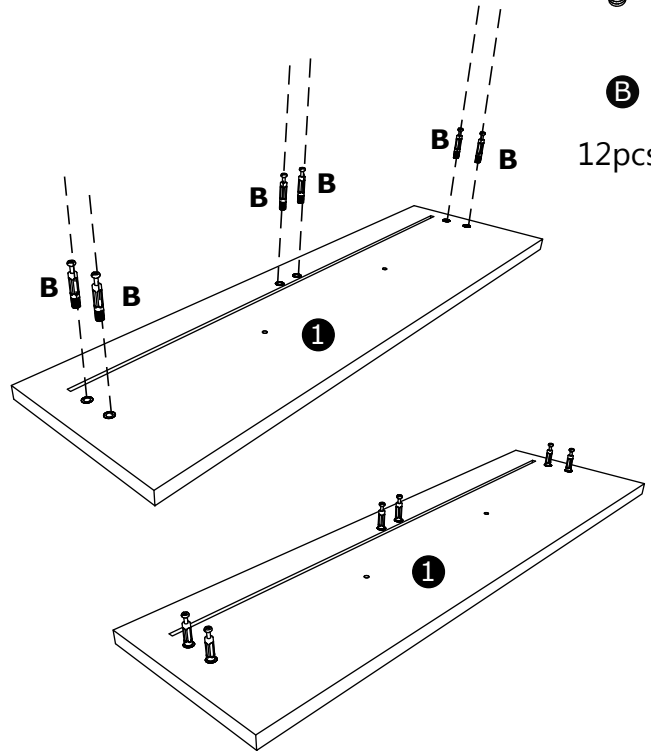
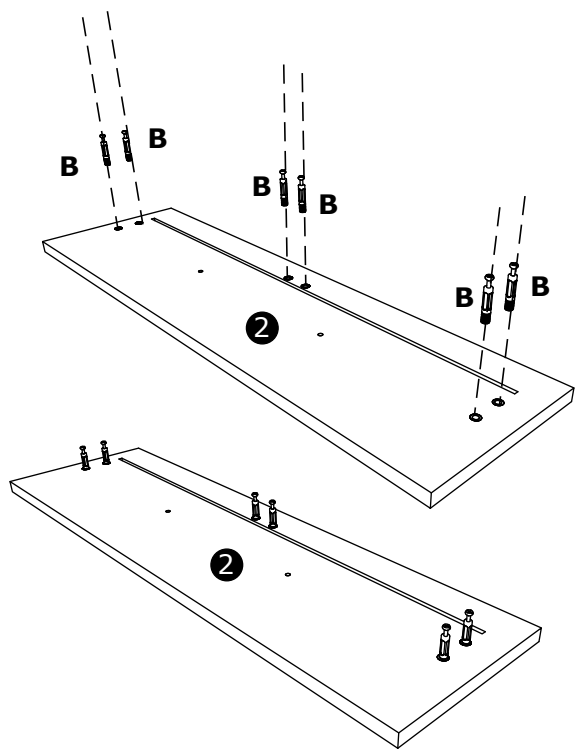
X6



M6*40

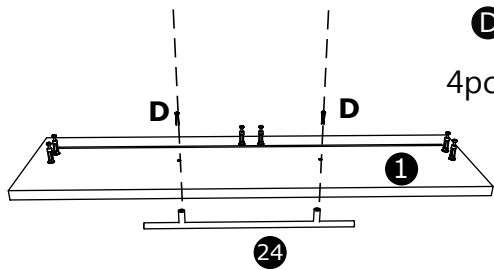
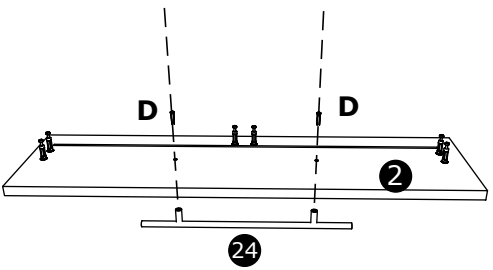
B


12pcs





M4*20

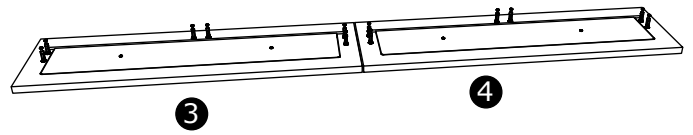
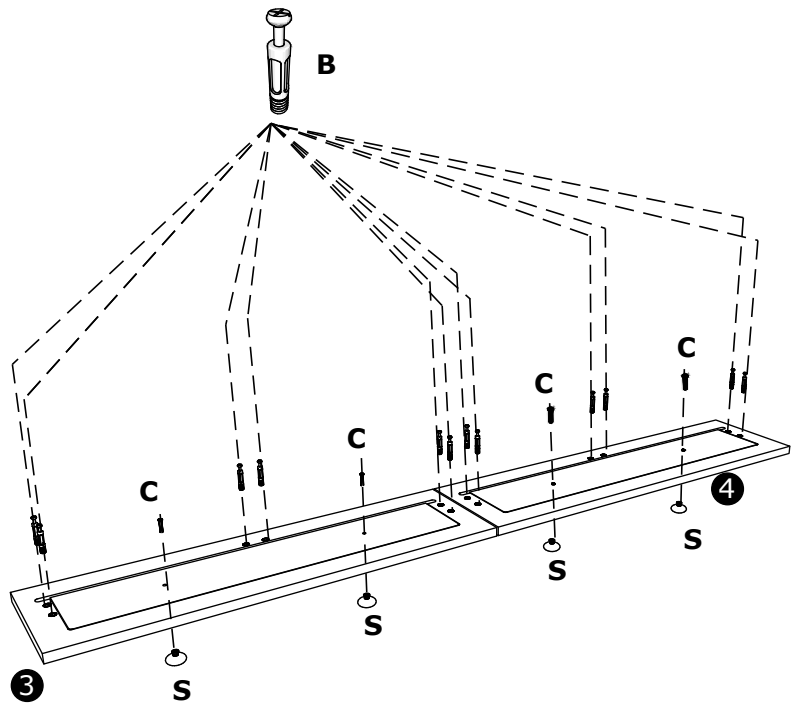

D
4pcs



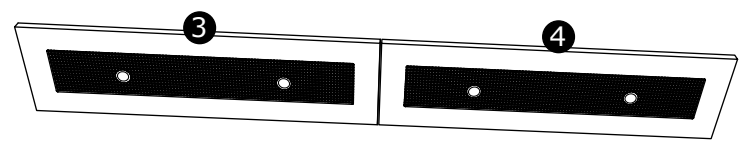
 **S**
8pcs

 **C**
8pcs

 **B**
24pcs



X2



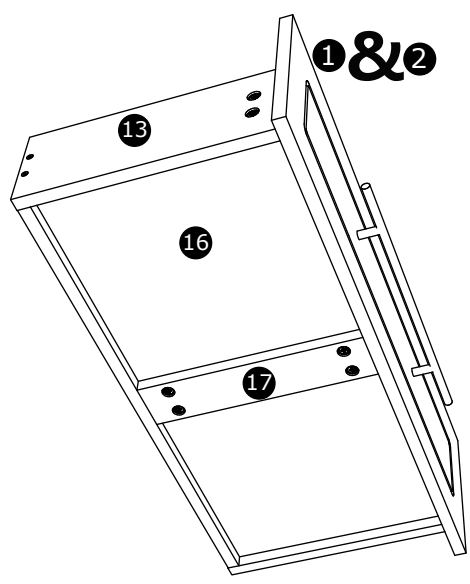
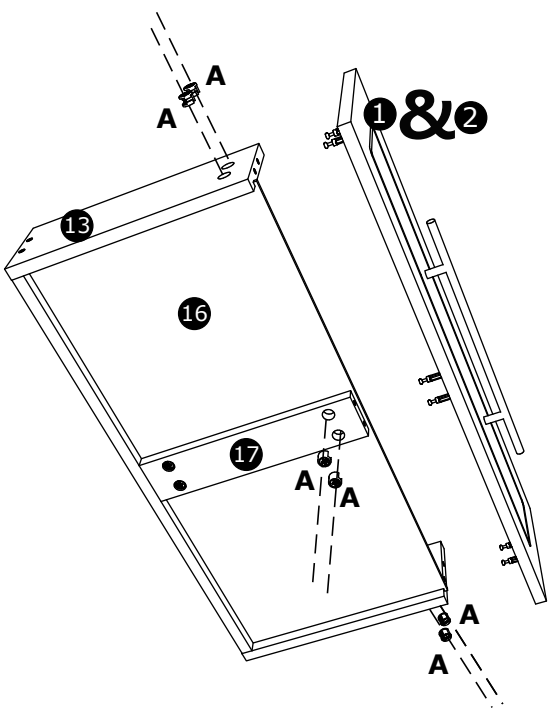
17



φ 15*12

A

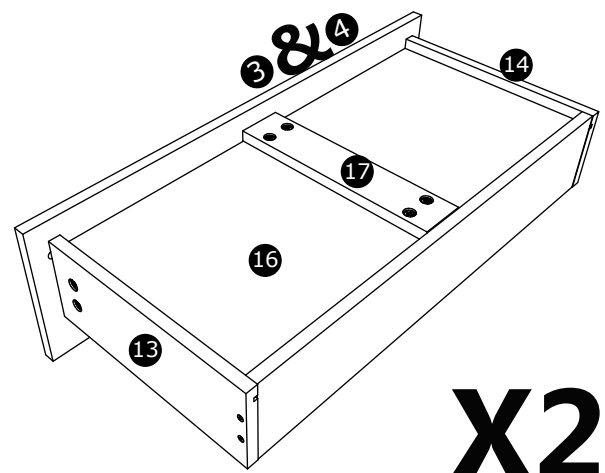
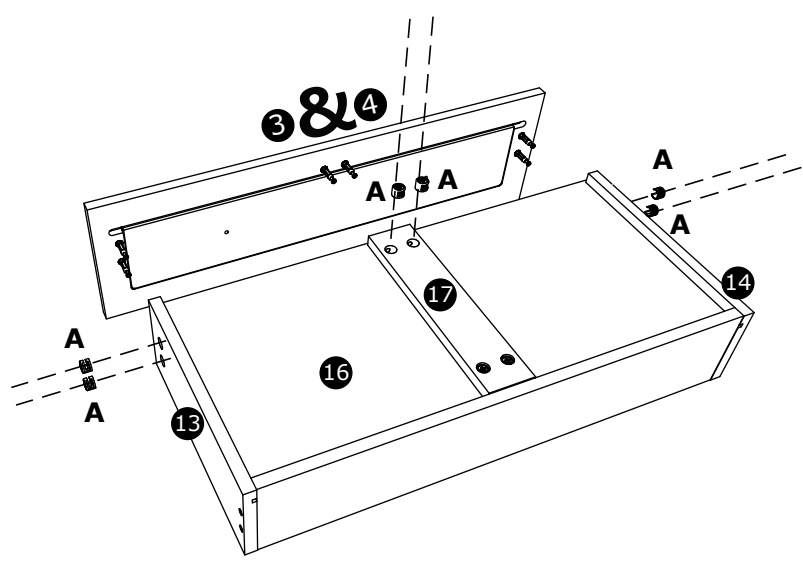
12pcs



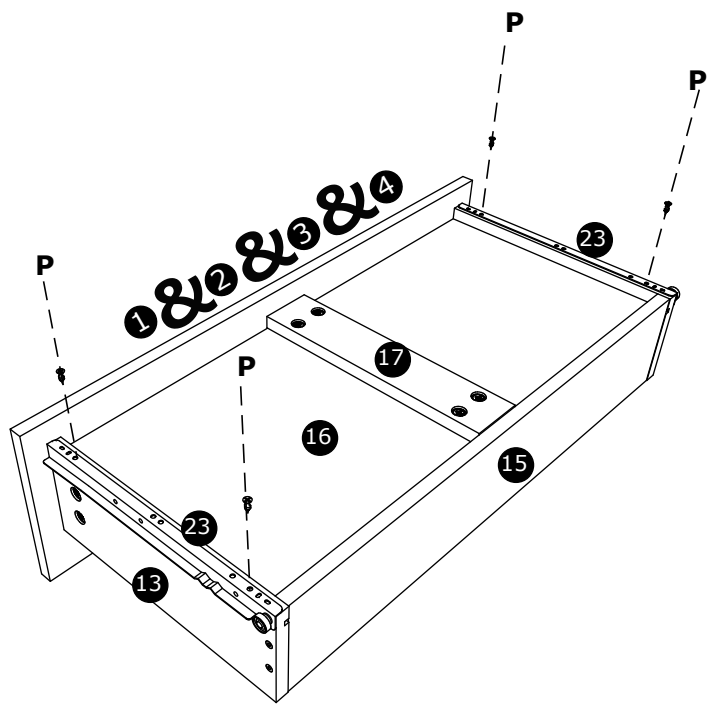
φ 15*12

A

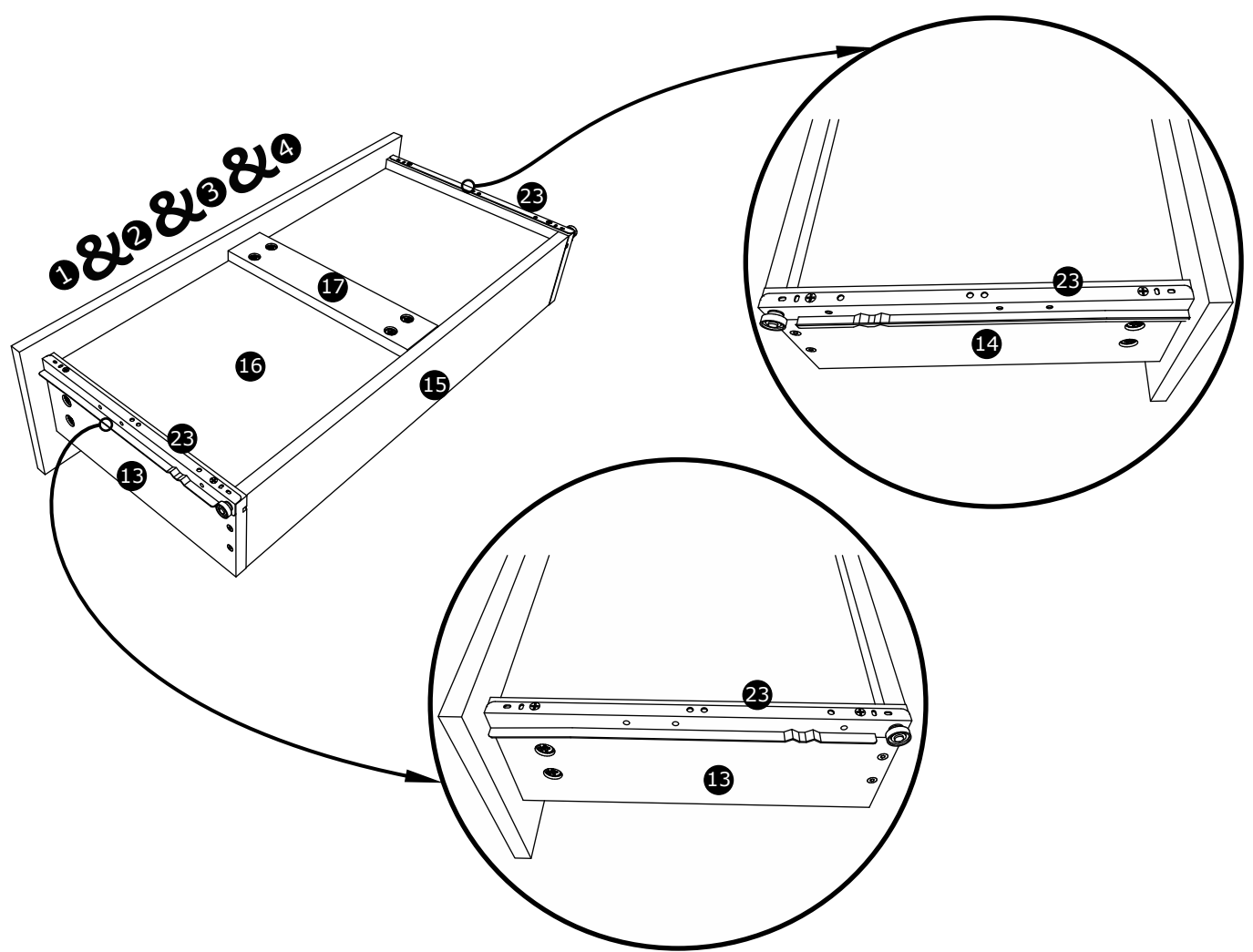
24pcs

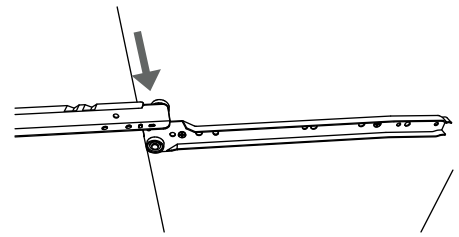
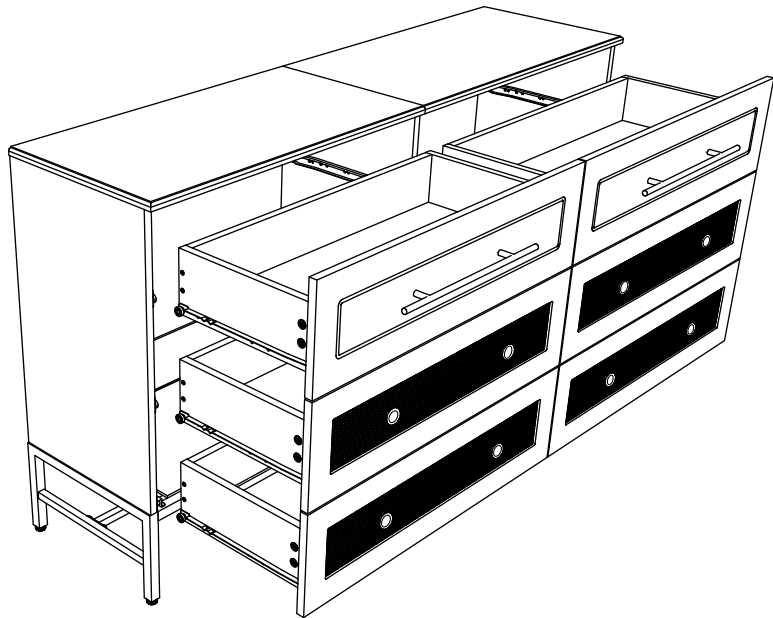


X2

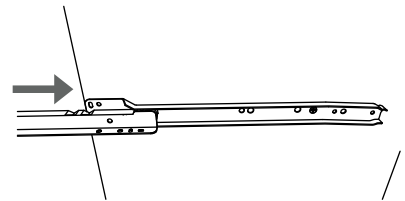


P
24pcs

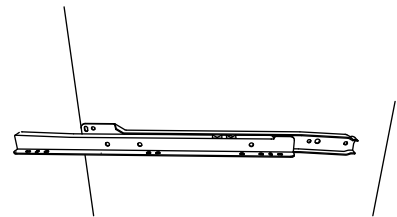




Step1



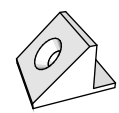
Step2



Step3



20

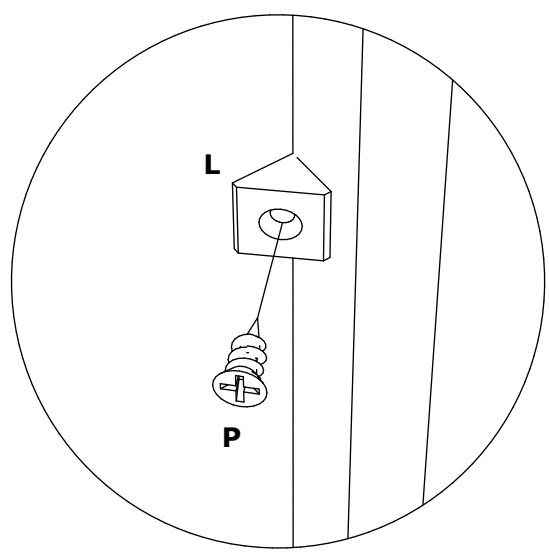
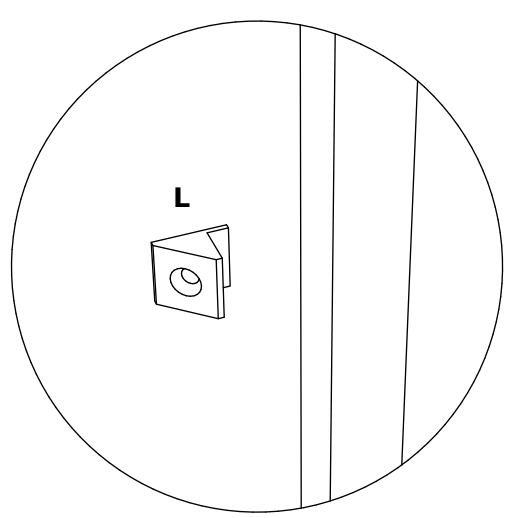
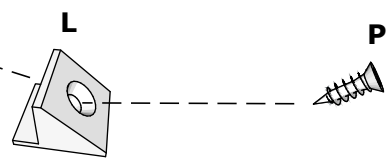
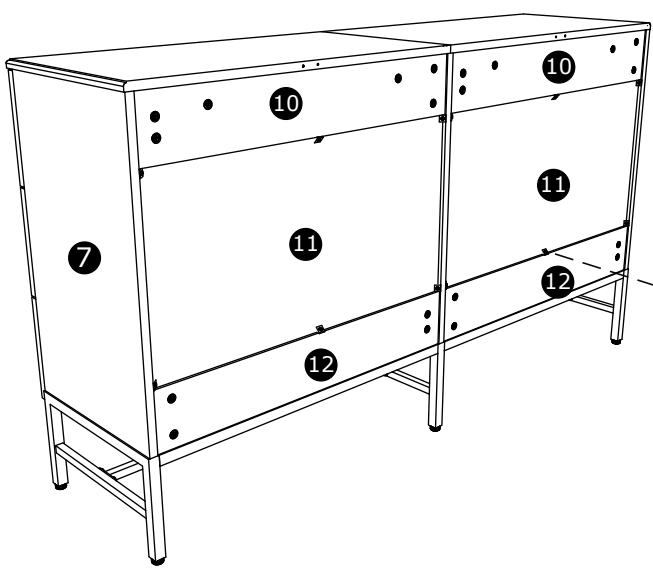


L

P

12pcs

12pcs



21

