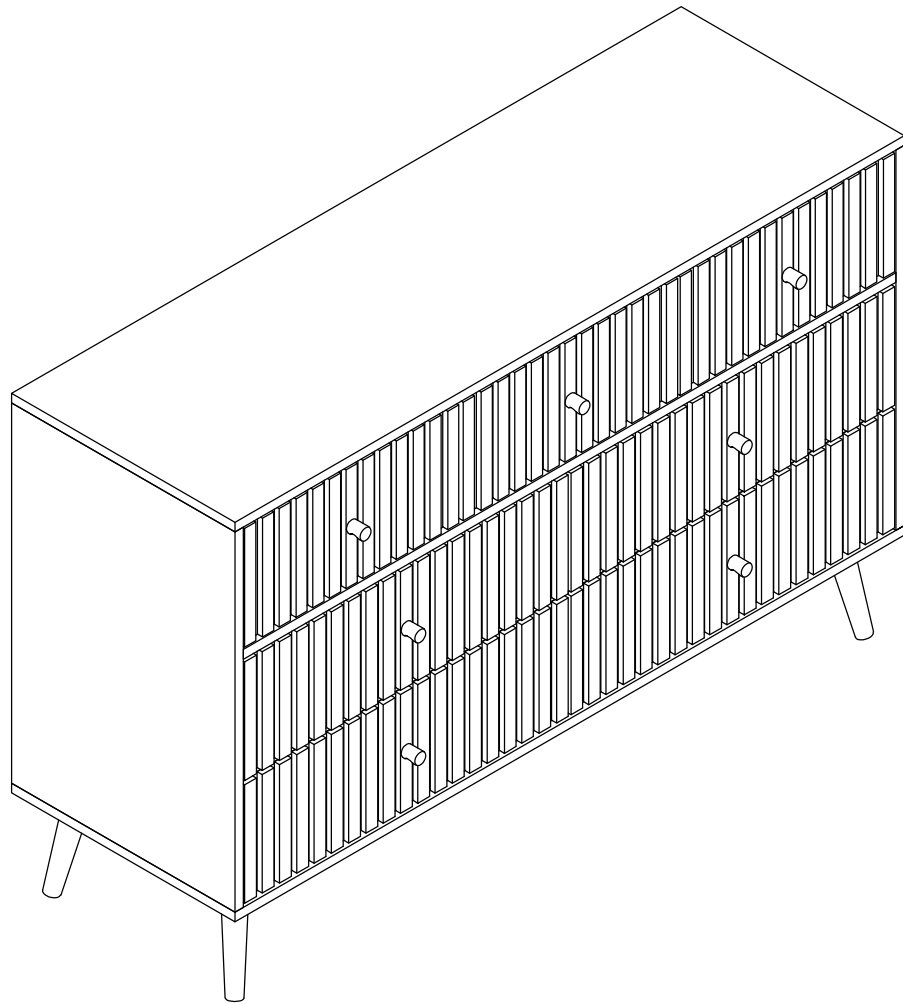


Installation Instruction



Assembling

Estimated time for assembly



40 : 00

What you need

- Use the packaging carton as a working surface to prevent product damage during assembly
- Phillips head screwdriver

Weight Limitation



40 | **11**
lbs table top lbs per drawer

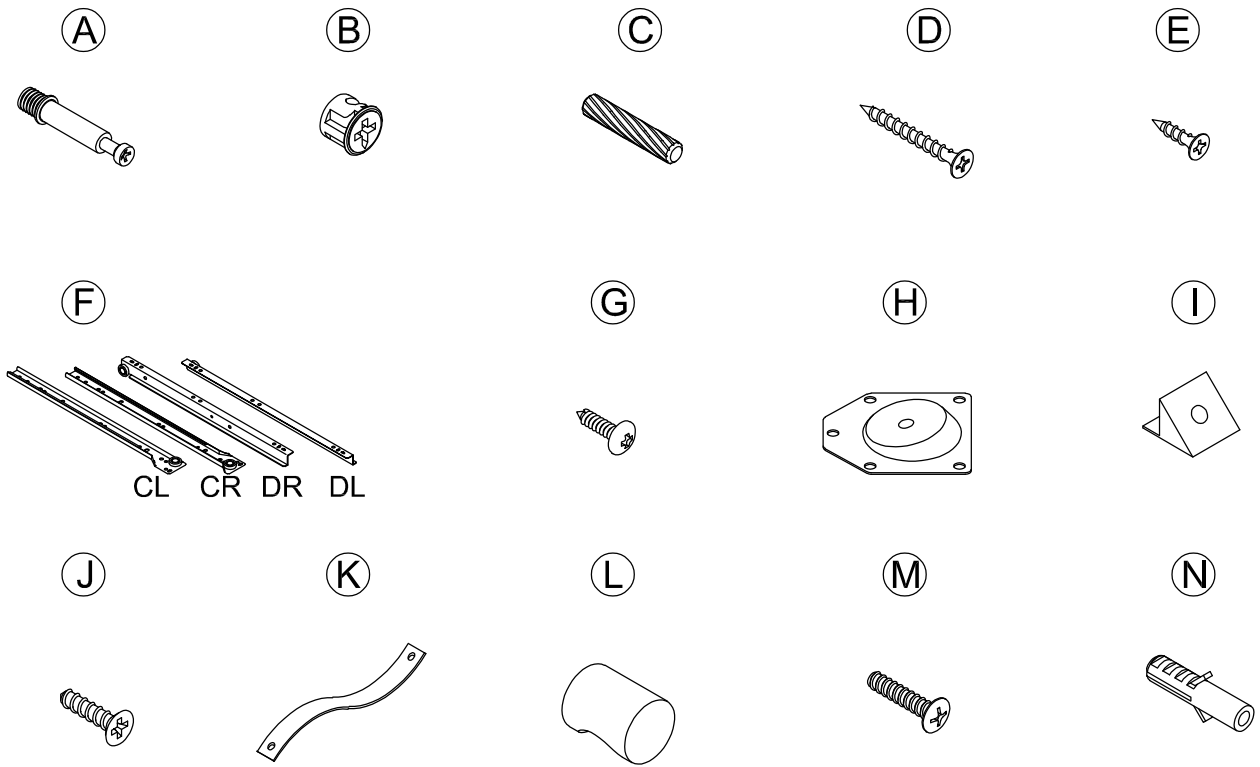


2 PERSONS

What's included

Code	Description	Qty
A	Cam Bolt M6X35MM	46
B	Cam Lock 15X10MM	46
C	Wooden Dowel M6X30MM	24
D	Screw M4X35MM	44
E	Screw M3.5 X12MM	84
F	Slide Sets	7
G	Screw M4X14MM	22
H	Leg Metal Pin	4
I	Plastic Corner Support	12
J	Screw M3X16MM	12
K	Nylon Strap	2
L	Handle	7
M	Bolt M4X16MM	7
N	Anchor M6×30mm	2

The Hardwares



IMPORTANT:

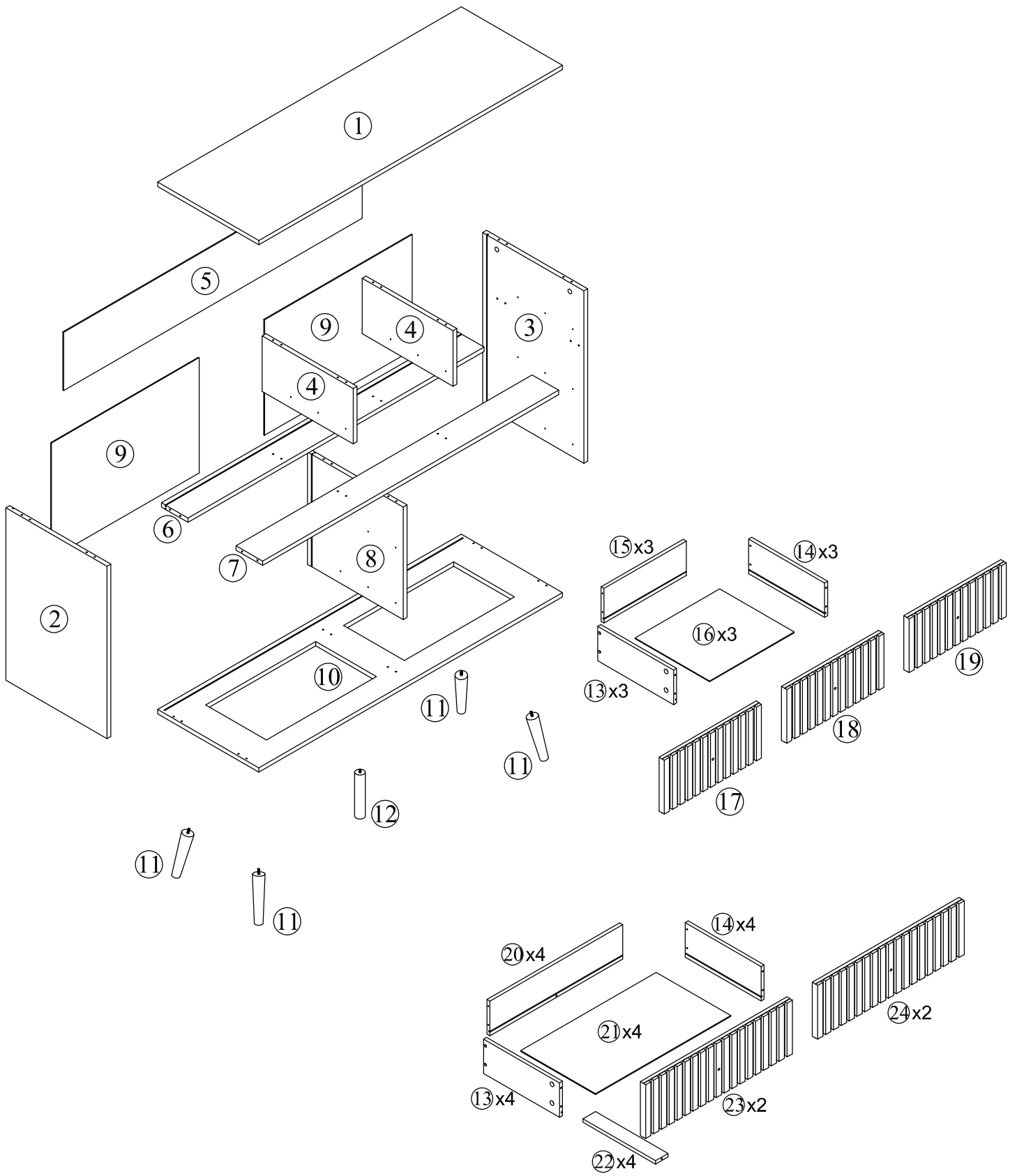
1. Do not tighten bolts / screws completely until all bolts / screws are lined up and inserted into holes.
2. Do not over tighten screws and bolts to avoid stripping.
3. Please use hand tools to assemble this product. Do not use power tools.
4. Must need 2 people to assemble this product.



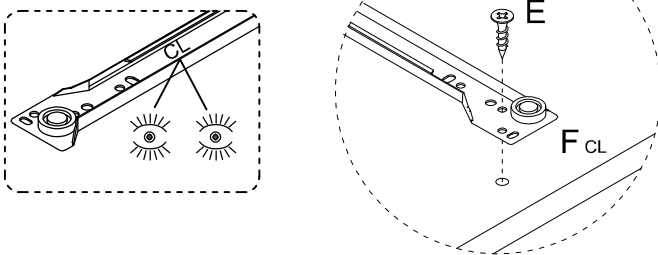
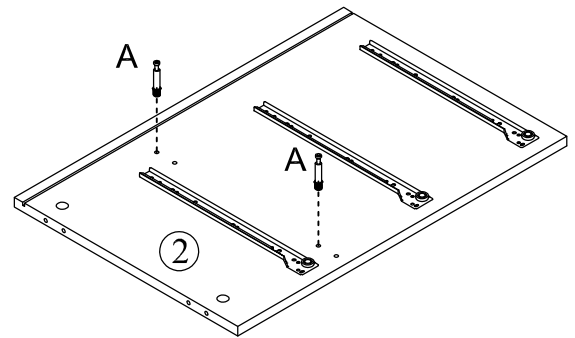
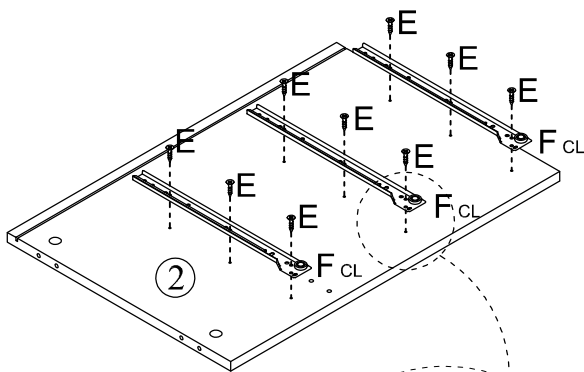
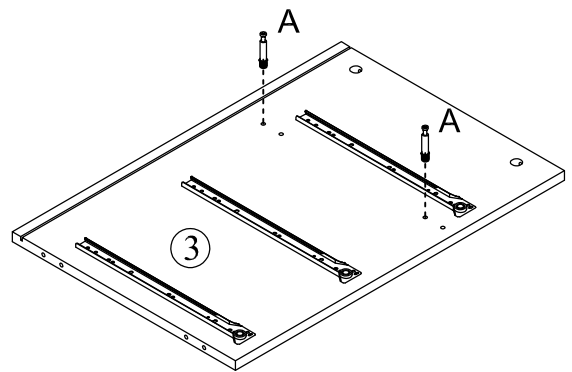
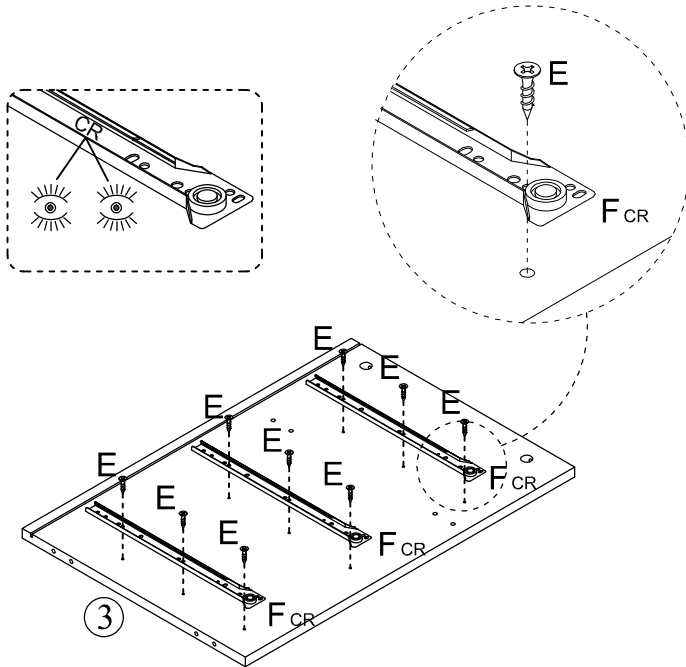
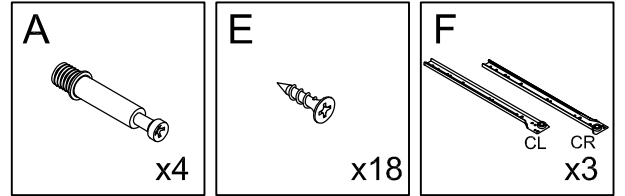
2 PERSONS

Included Accessories

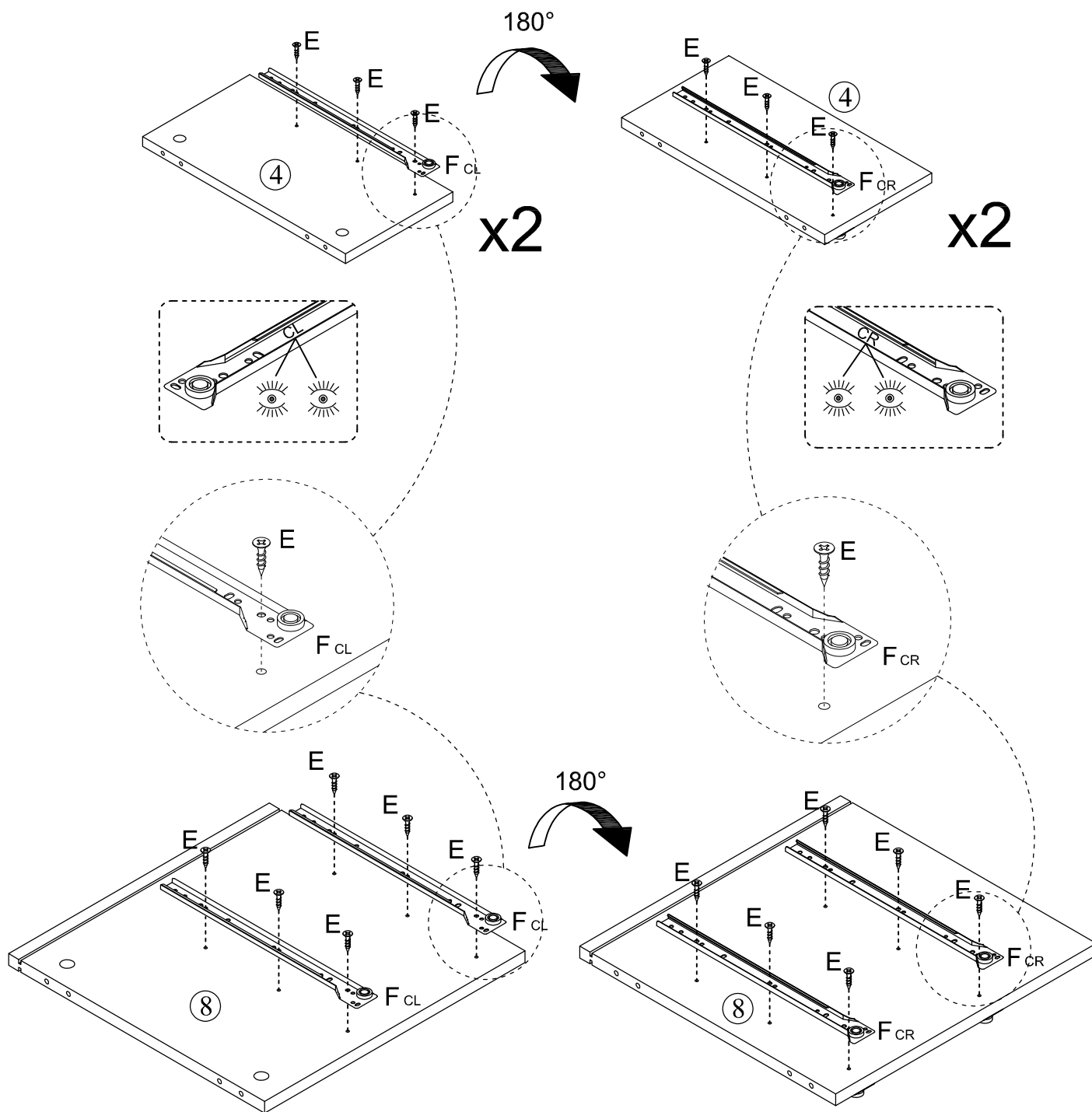
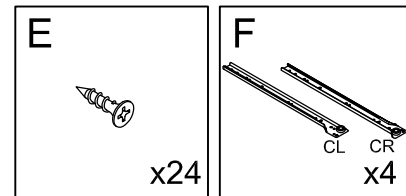
Code	Description	Qty
1	Cabinet Top	1
2	Left Side Panel	1
3	Right Side Panel	1
4	Top Middle Division Panel	2
5	Top Back Panel	1
6	Small Drawer Back Support Panel	1
7	Small Drawer Front Support Panel	1
8	Lower Middle Division Panel	1
9	Lower Back Panel	2
10	Bottom Panel	1
11	Feet	1
12	Middle Foot	1
13	Drawer Left Side Panel	7
14	Drawer Right Side Panel	7
15	Small Drawer Back Panel	3
16	Small Drawer Bottom Panel	3
17	Small Left Drawer Front Panel	1
18	Small Middle Drawer Front Panel	1
19	Small Right Drawer Front Panel	1
20	Large Drawer Back Panel	4
21	Large Drawer Bottom Panel	4
22	Large Drawer Support Panel	4
23	Large Left Drawer Front Panel	2
24	Large Right Drawer Front Panel	2



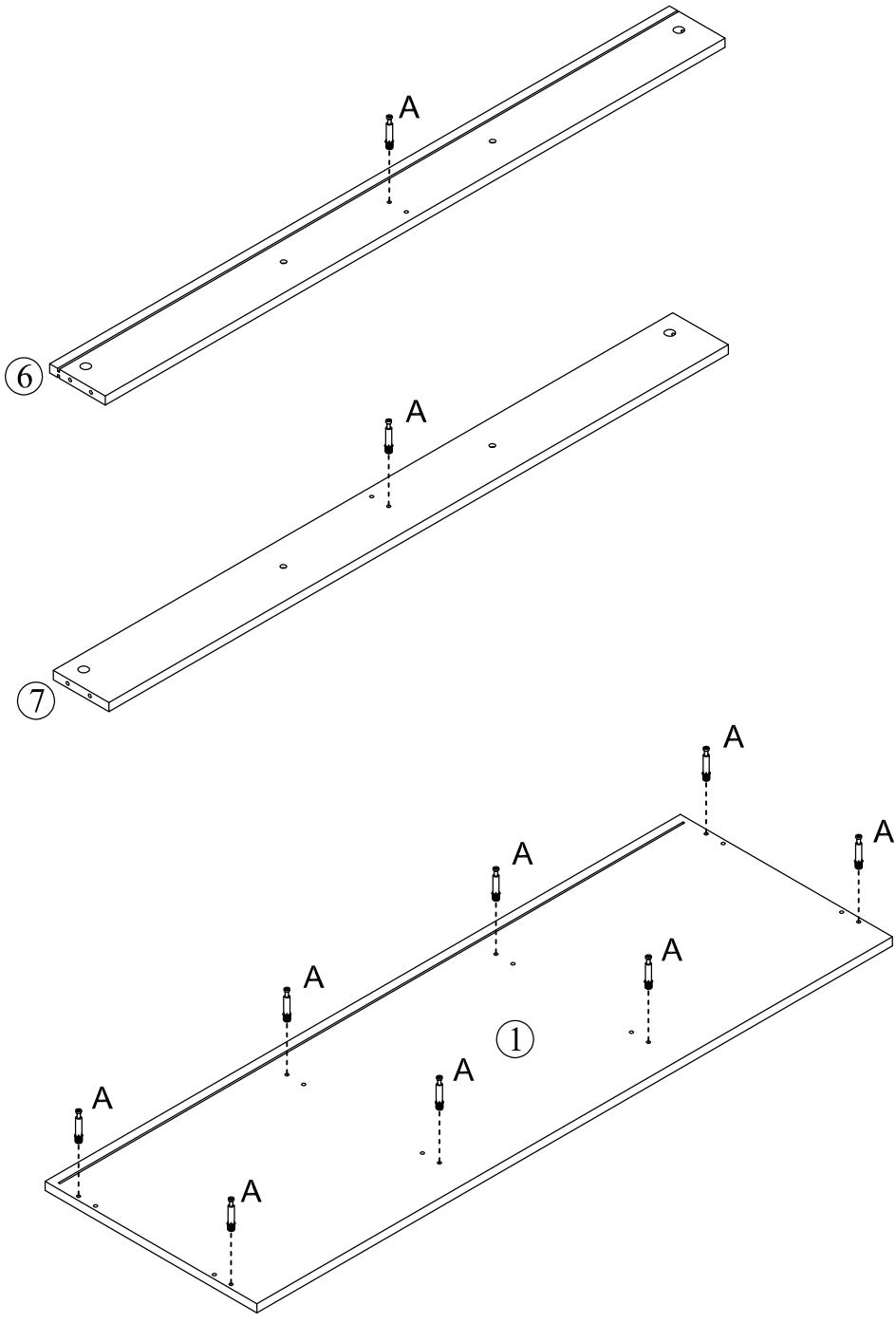
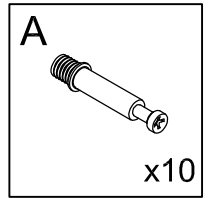
STEP 1



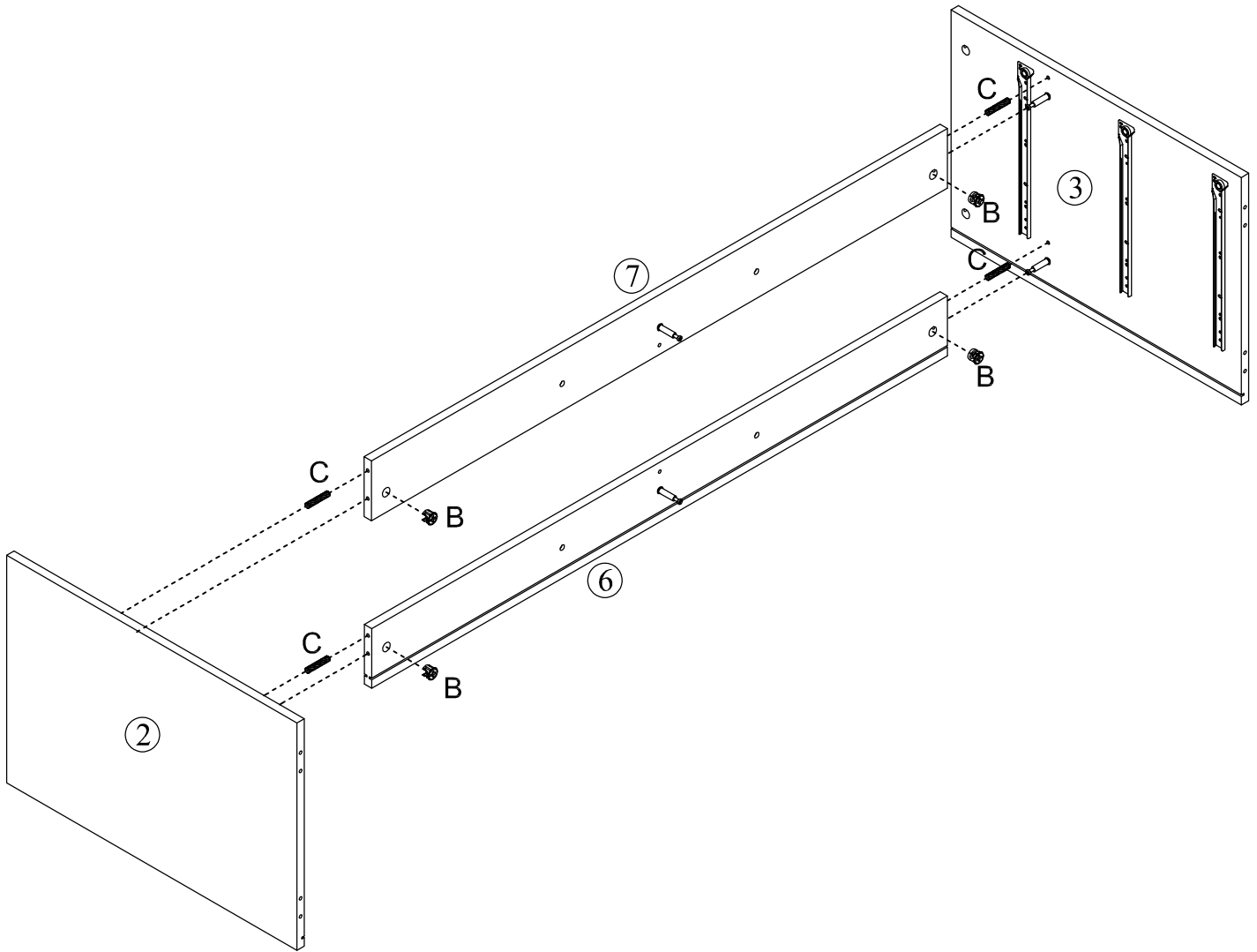
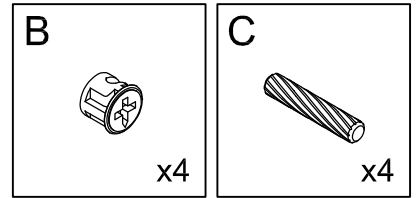
STEP 2



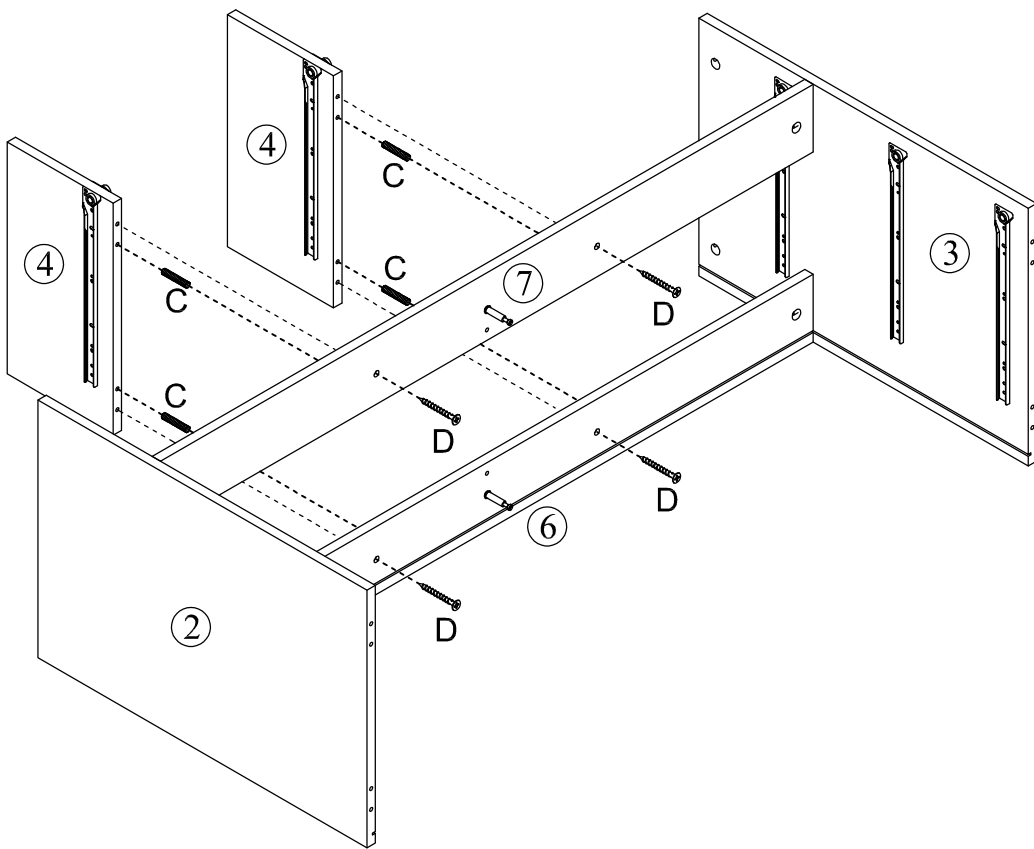
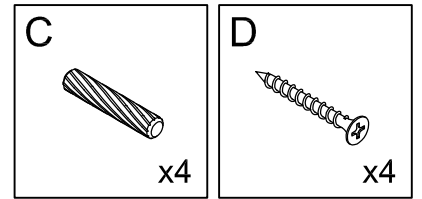
STEP 3



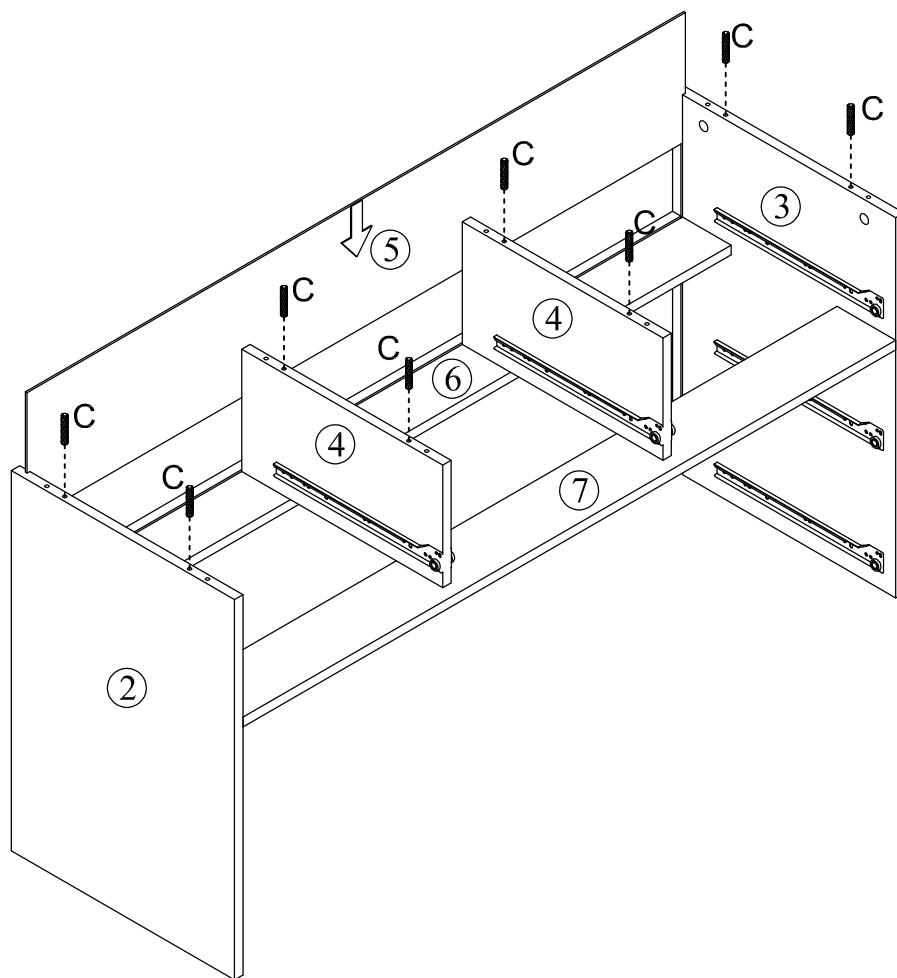
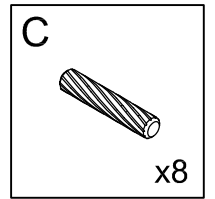
STEP 4



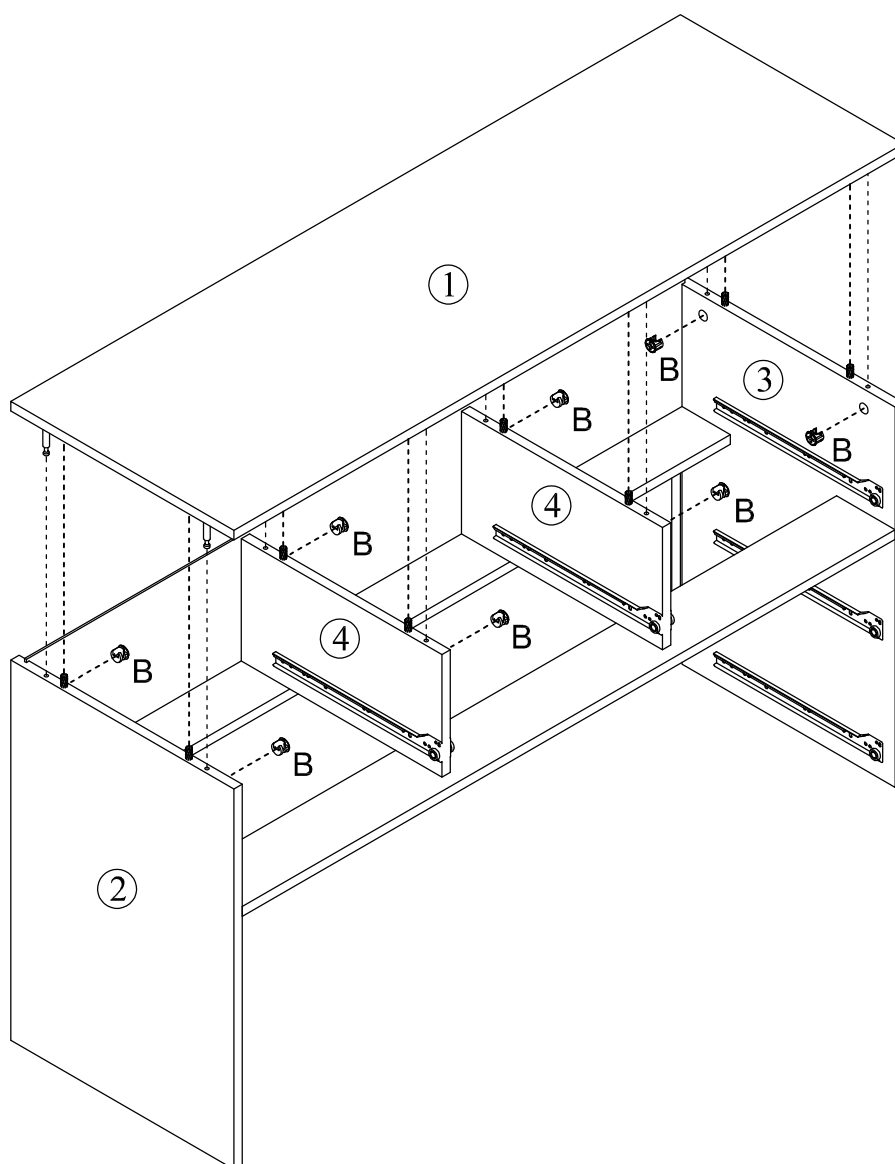
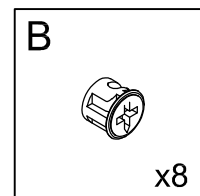
STEP 5



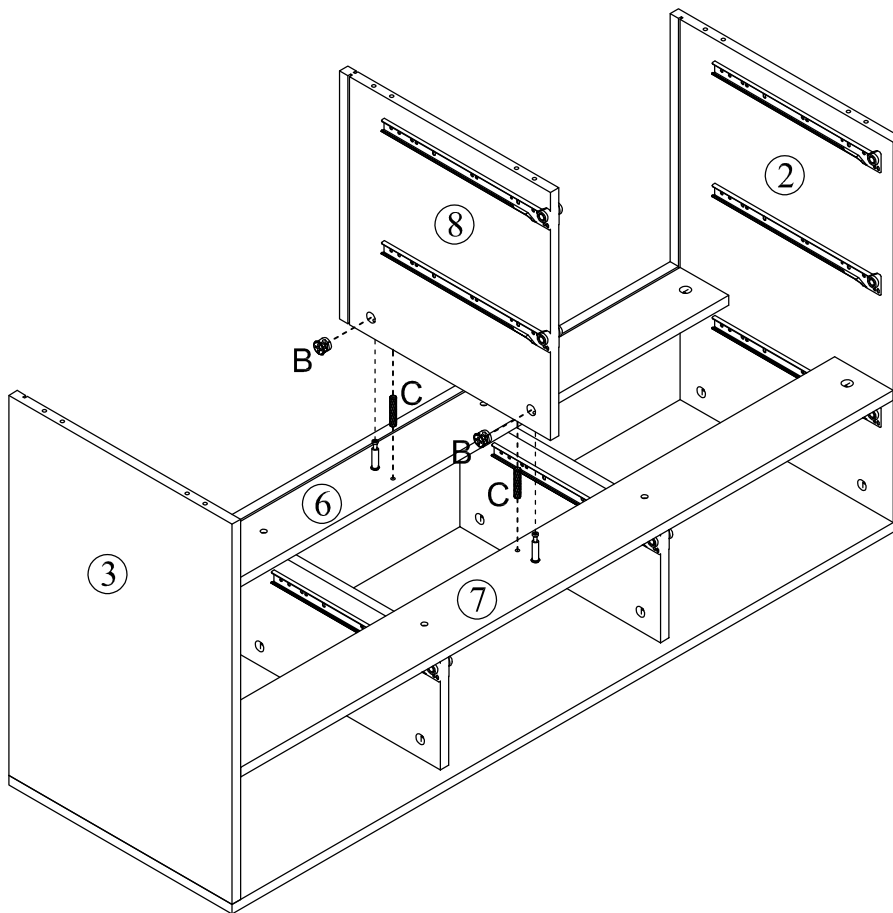
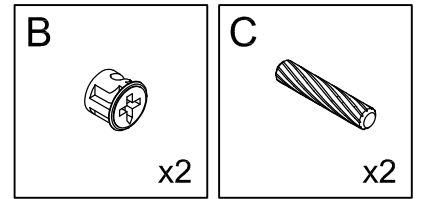
STEP 6



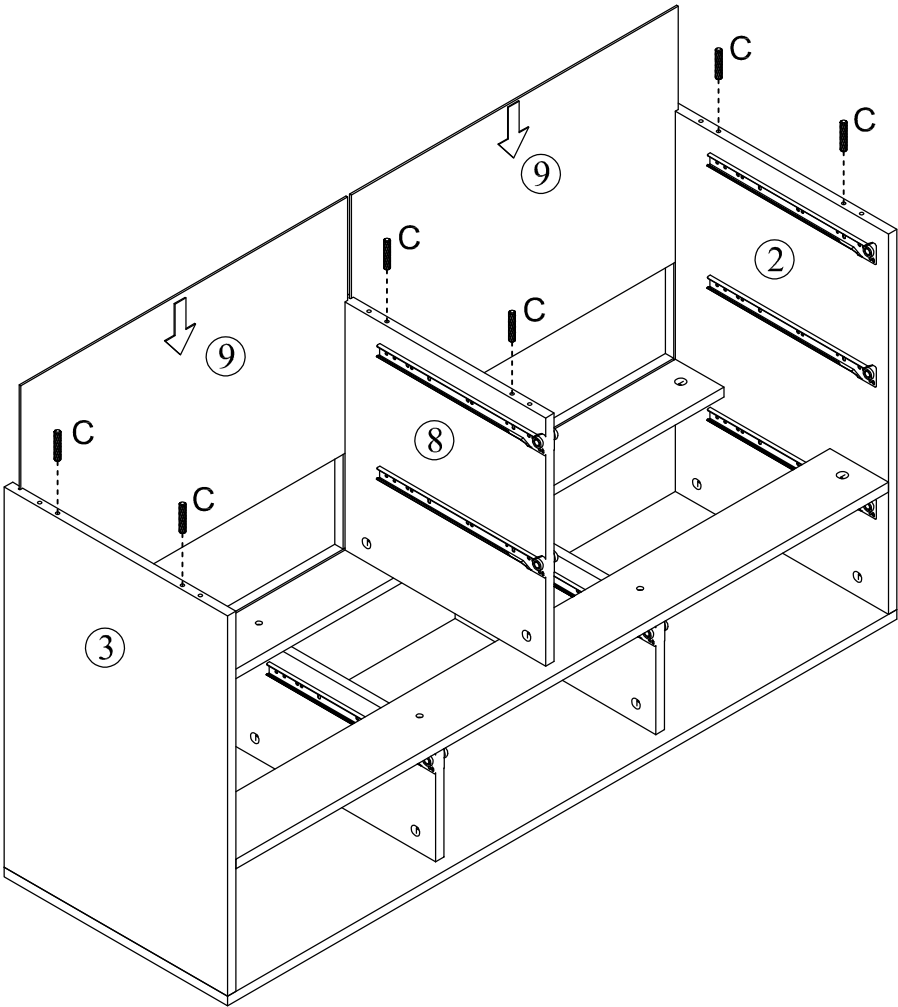
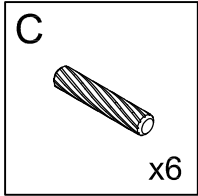
STEP 7



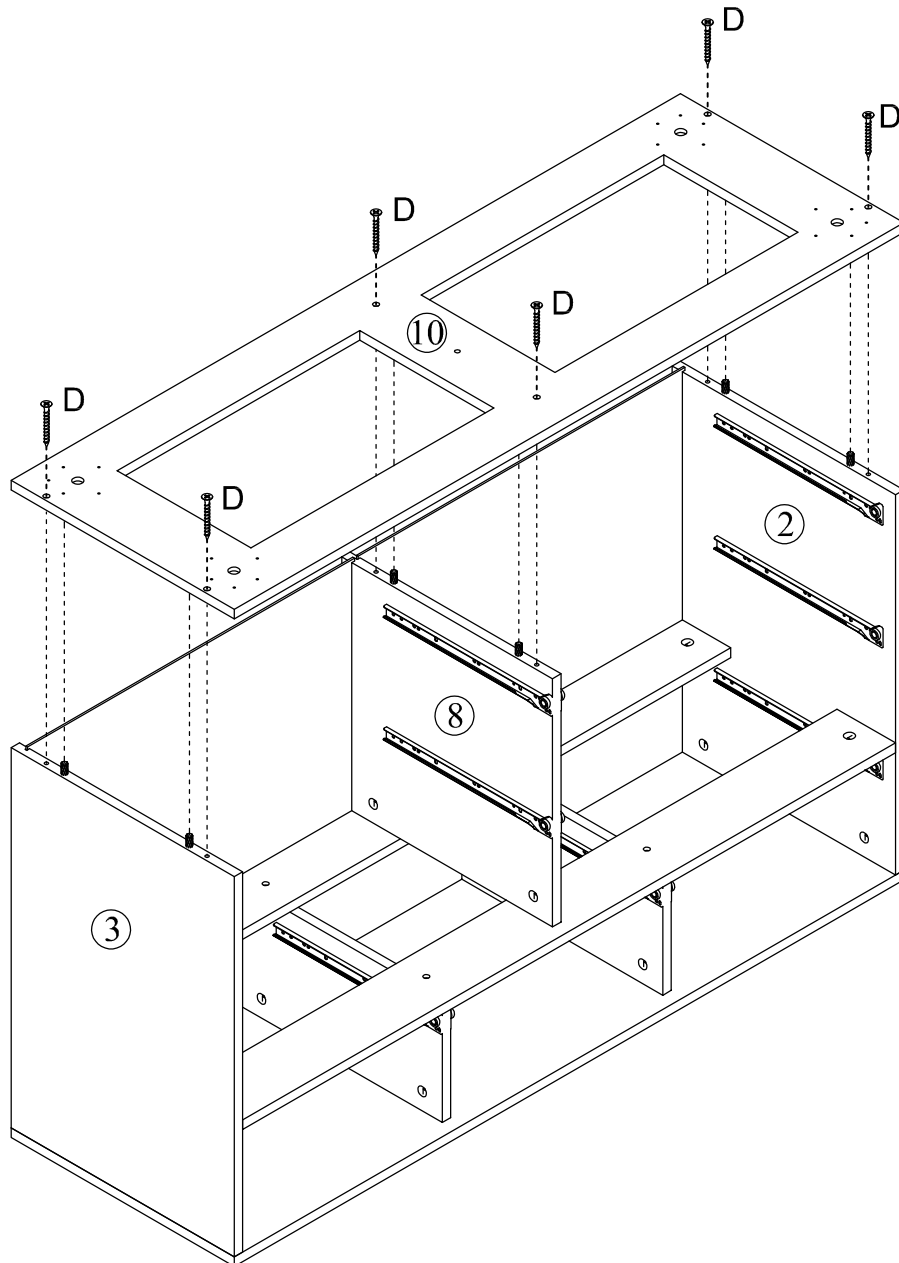
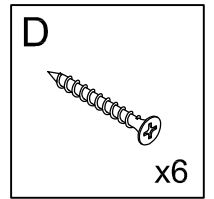
STEP 8



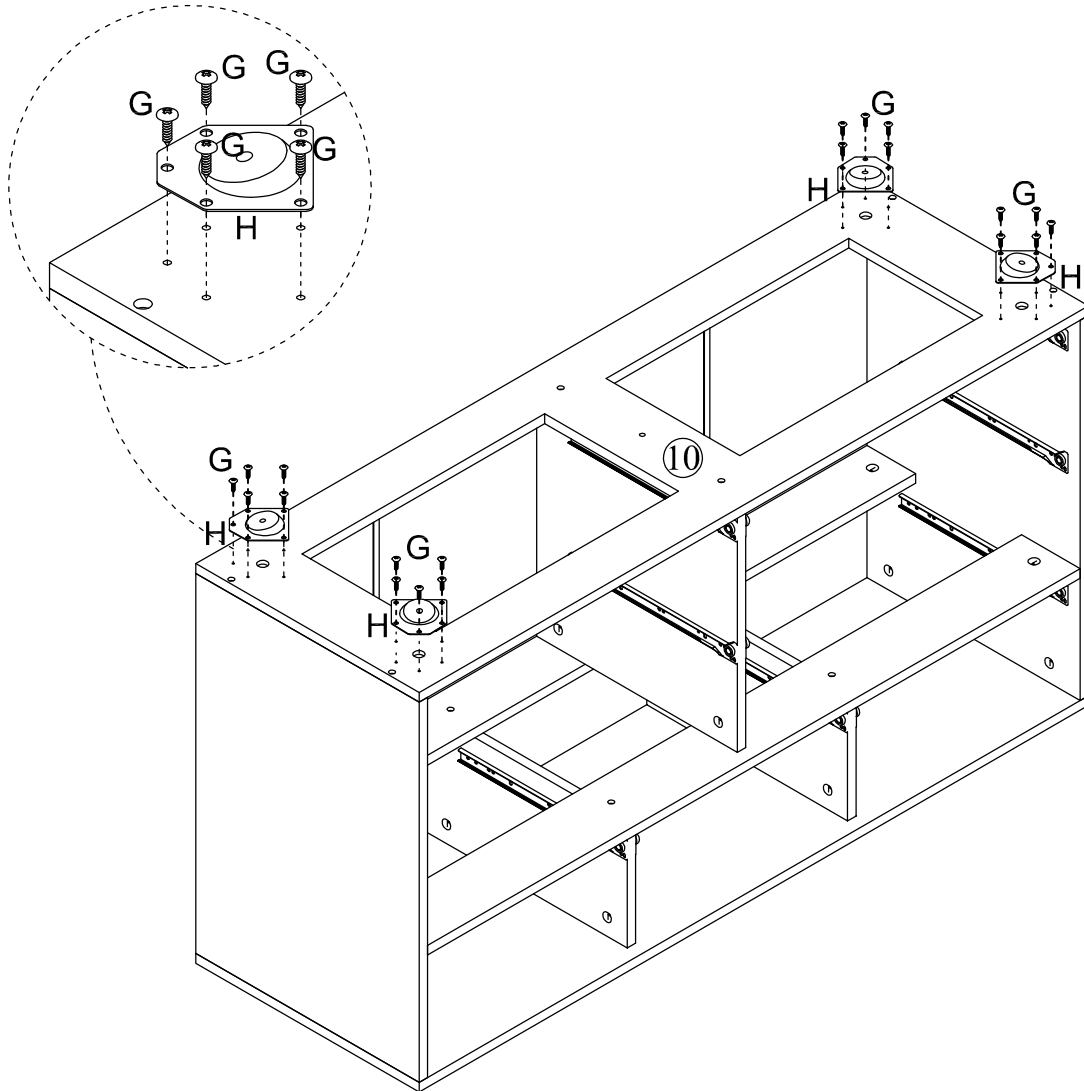
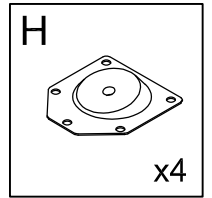
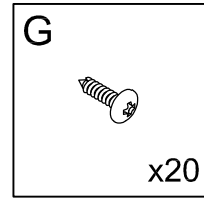
STEP 9



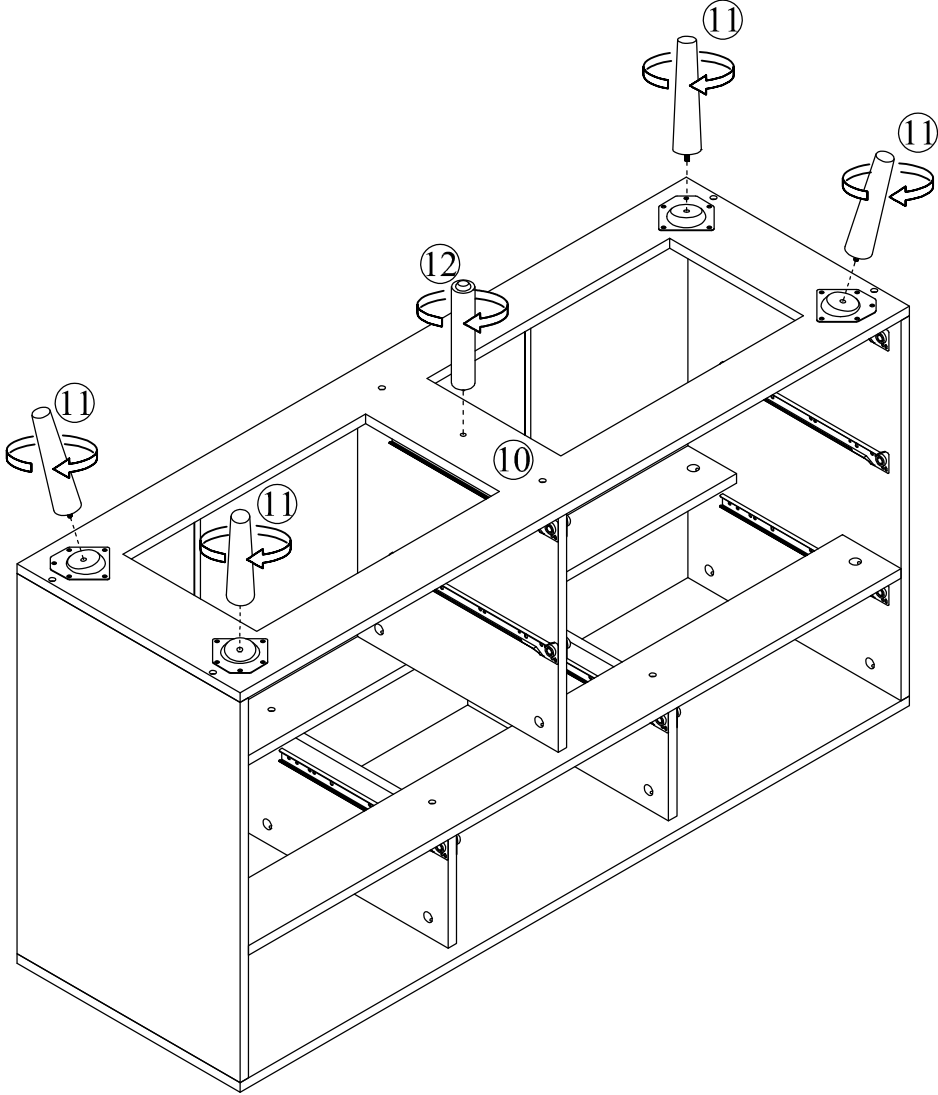
STEP 10



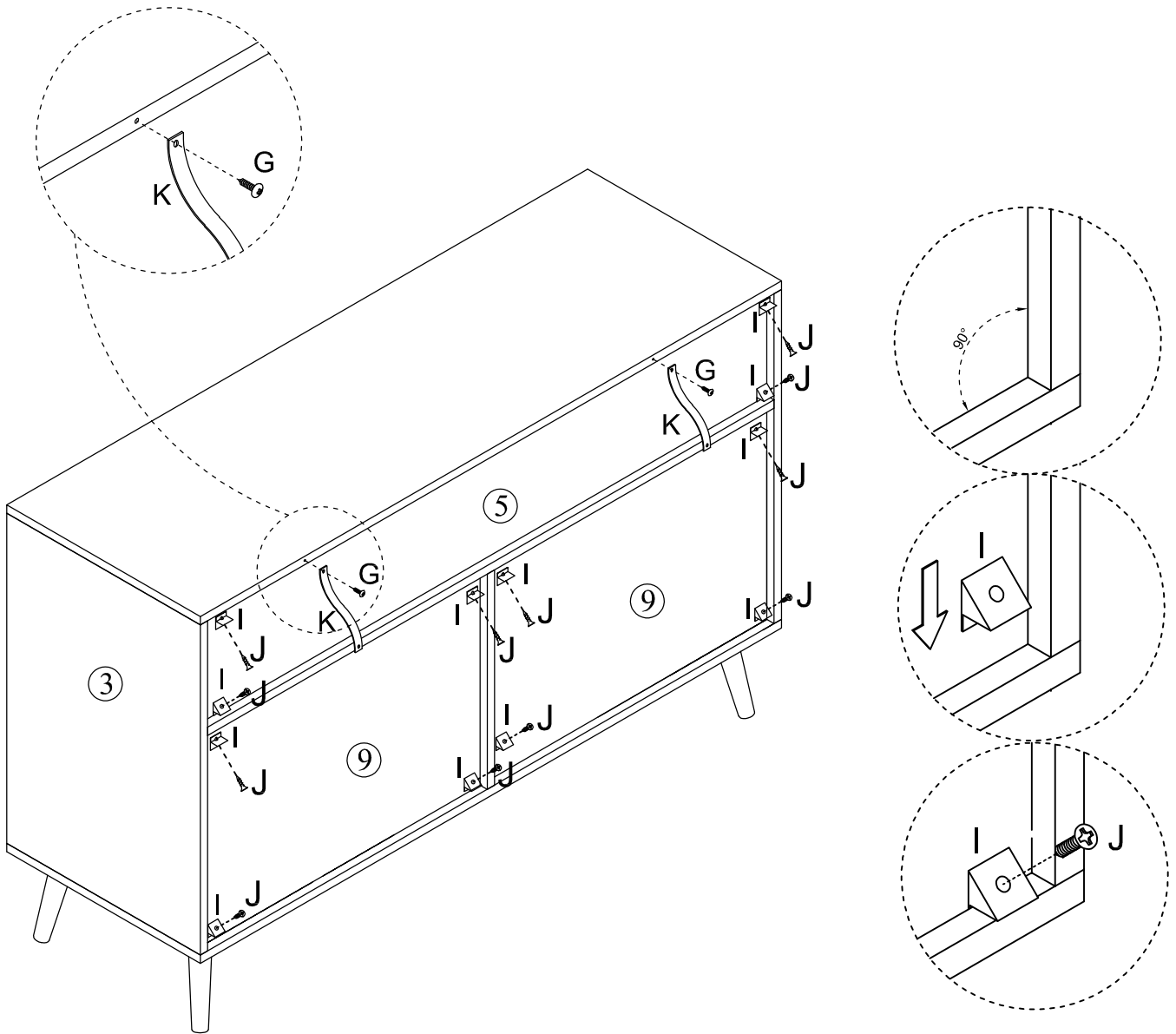
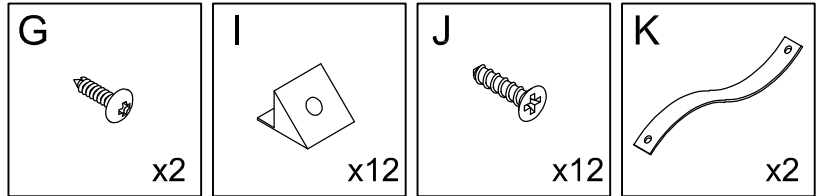
STEP 11



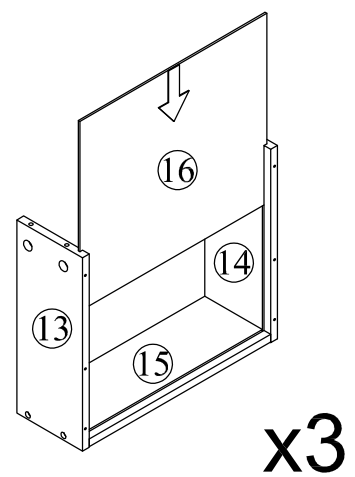
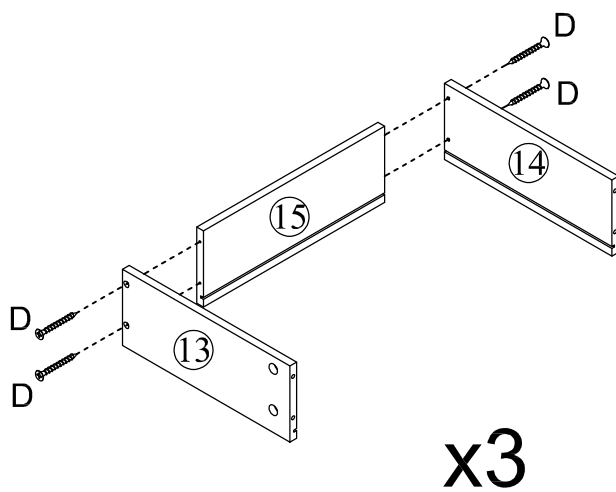
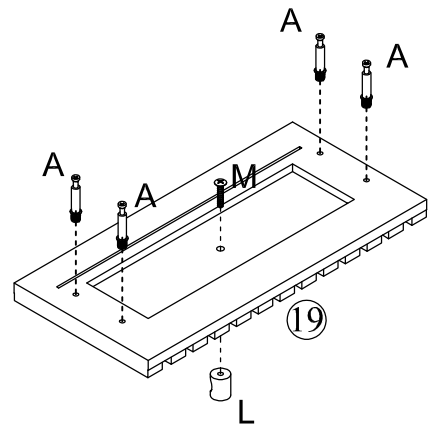
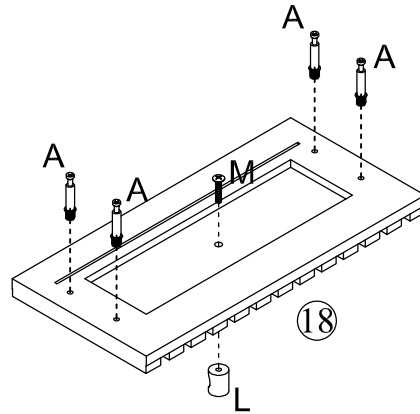
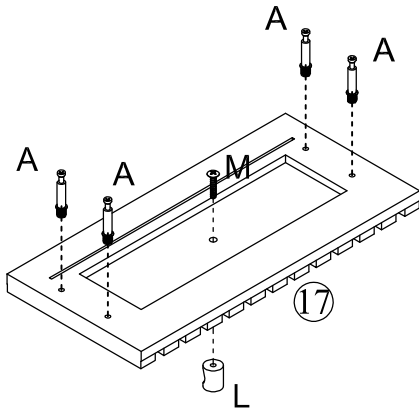
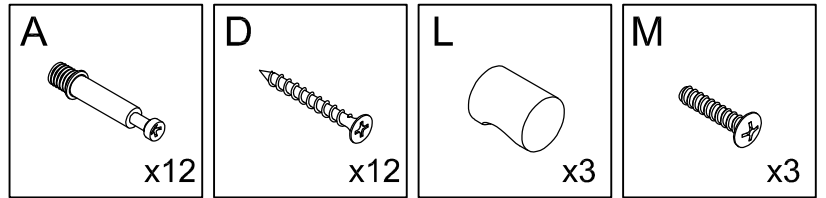
STEP 12



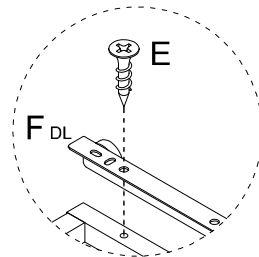
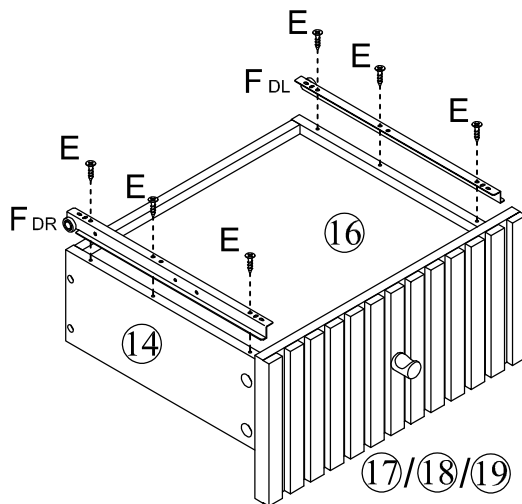
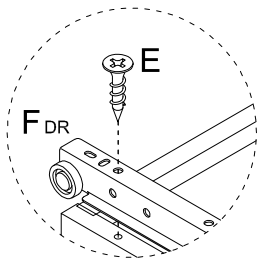
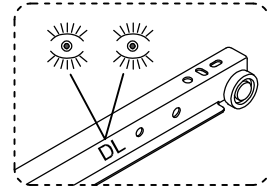
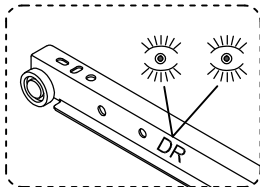
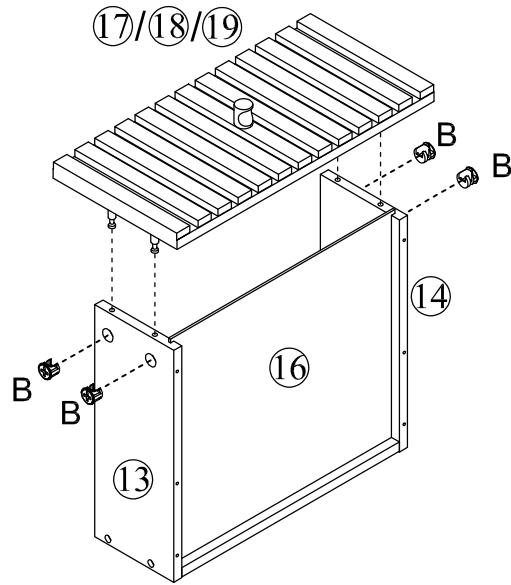
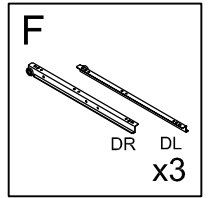
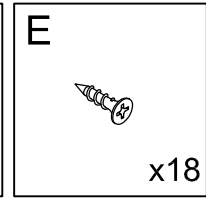
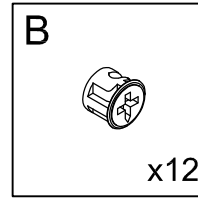
STEP 13



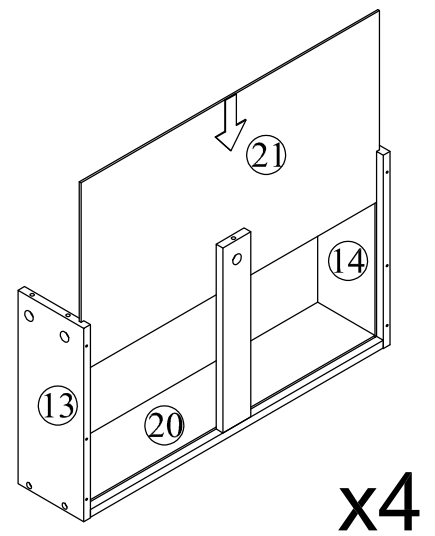
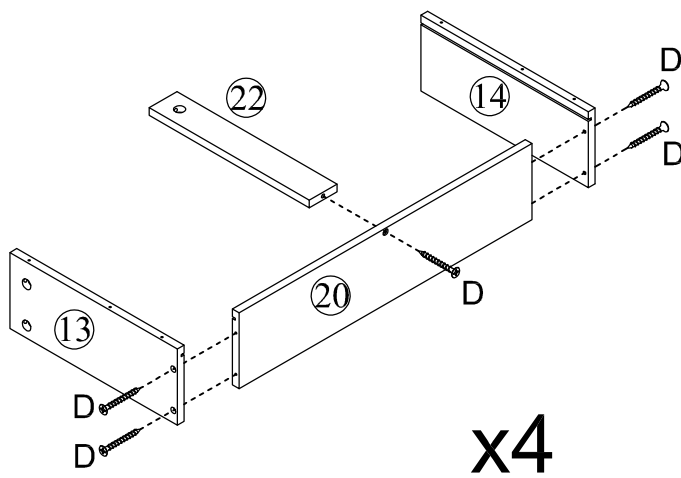
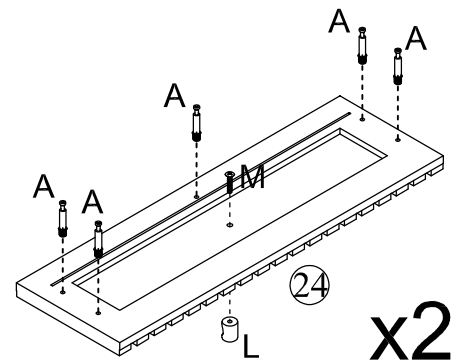
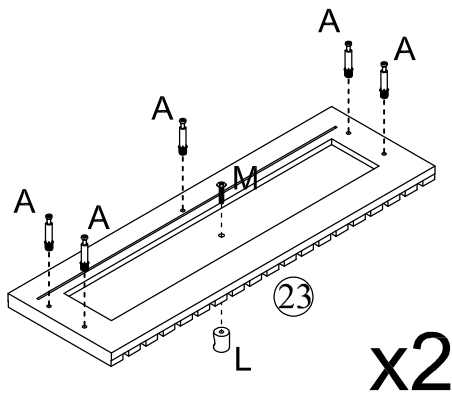
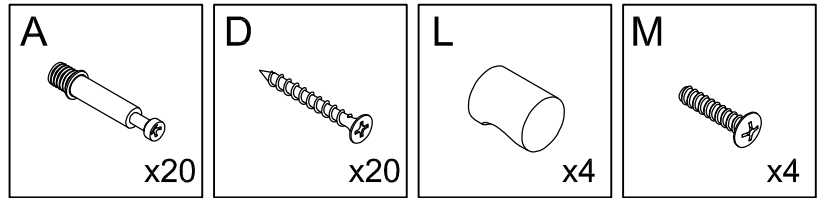
STEP 14



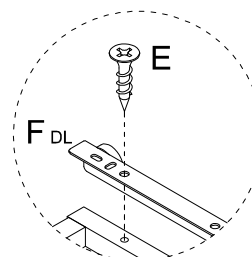
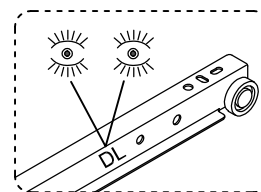
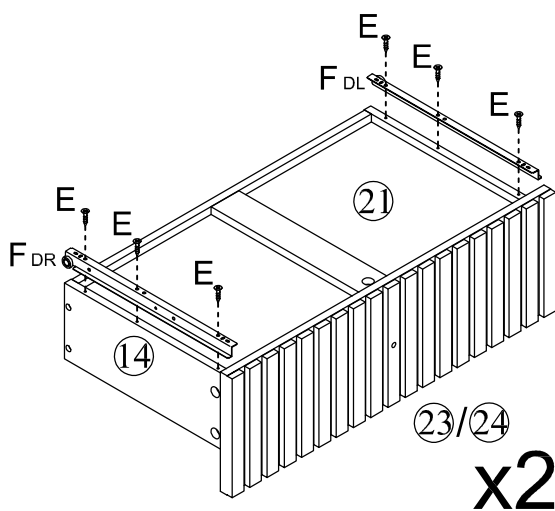
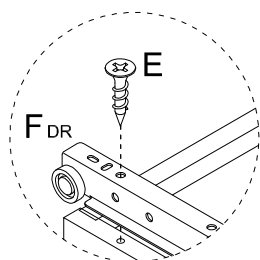
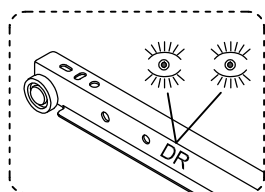
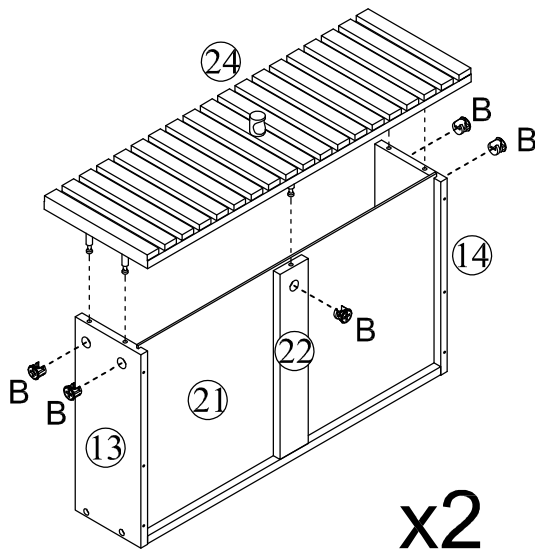
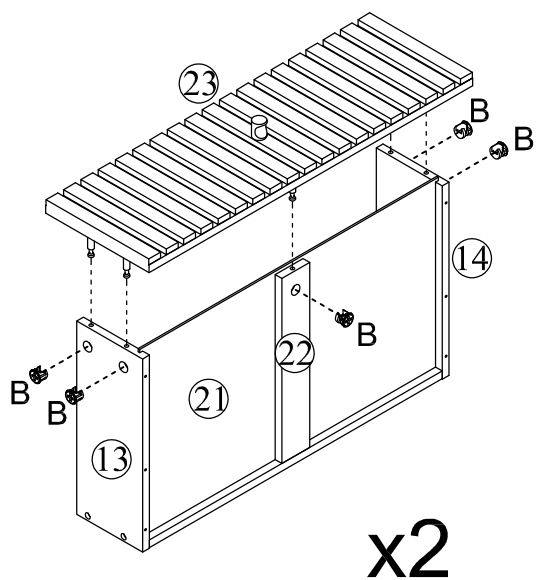
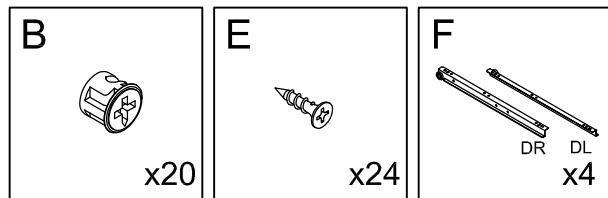
STEP 15



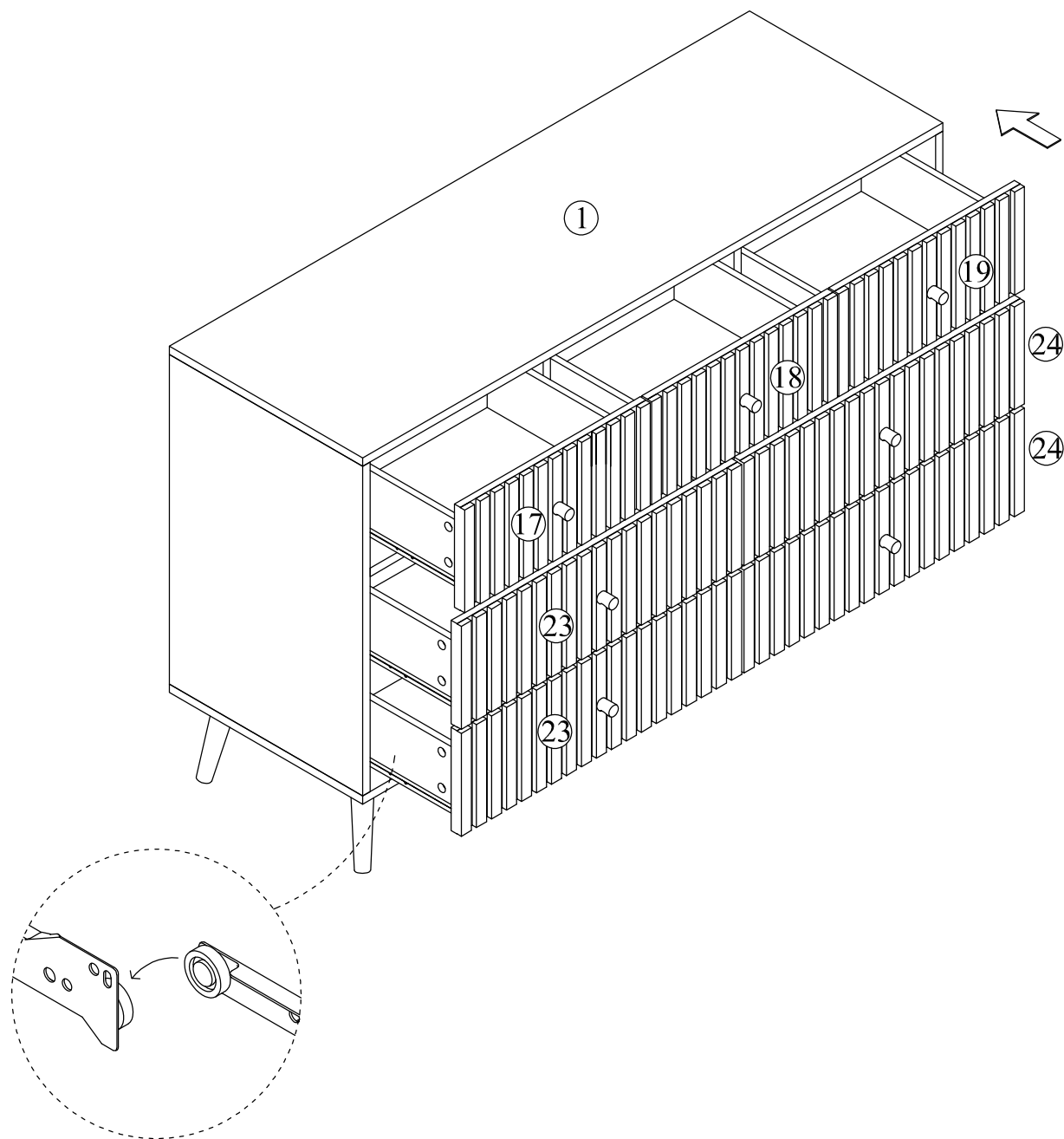
STEP 16



STEP 17



STEP 18



STEP 19

