

48" Cable Management Desk Organizer

SKU: DESK-SKIRT-48
Instruction Manual

Assembly Video & Product Info
www.vivo-us.com/products/desk-skirt-60



! CAUTION! !

If you do not understand these directions, or if you have any doubts about the safety of the installation, please contact our product support team at 309-278-5303 or help@vivo-us.com for further assistance. Check carefully to make sure there are no missing or defective parts. Improper installation may cause damage or serious injury. Do not use this product for any purpose that is not explicitly specified in this manual. Do not exceed weight capacity. We cannot be liable for damage or injury caused by improper mounting, incorrect assembly or inappropriate use.



WARNING: CHOKING HAZARD

SMALL PARTS - NOT FOR CHILDREN UNDER 3 YEARS. ADULT SUPERVISION IS REQUIRED.

We're Here for You

Open **Monday - Friday 7:00am - 7:00pm CST**, our dedicated support team can offer immediate assistance with rapid response times. If any parts are received damaged or defective, please contact us. We are happy to replace parts to ensure you have a fully functioning product.



Give us a Call:
309-278-5303

AVG. RESOLUTION TIME (*within office hrs*): **5M 4S**



Chat Us:
www.vivo-us.com

AVG. RESOLUTION TIME (*within office hrs*): **< 15 M**

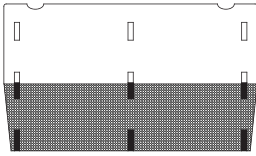


Email Us:
help@vivo-us.com

AVG. RESPONSE TIME (*within office hrs*): **1HR 8M**

- 23% within < 15m
- 38% within < 30m
- 61% within < 1hr
- 83% within < 2hr
- 92% within < 3hr

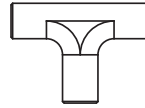
Package Contents



A (x1)
Panel



B (x2)
Side Rod



C (x4)
T Joiner



D (x2)
Mounting Clip



E (x8)
Rod



F (x4)
Joiner

Included Hardware



S-A (x2)
ST4.8x19mm Screw

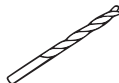
Tools Needed:



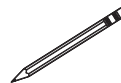
**Phillips
Screwdriver**



Drill



**9/64" (3.5mm)
Drill Bit**

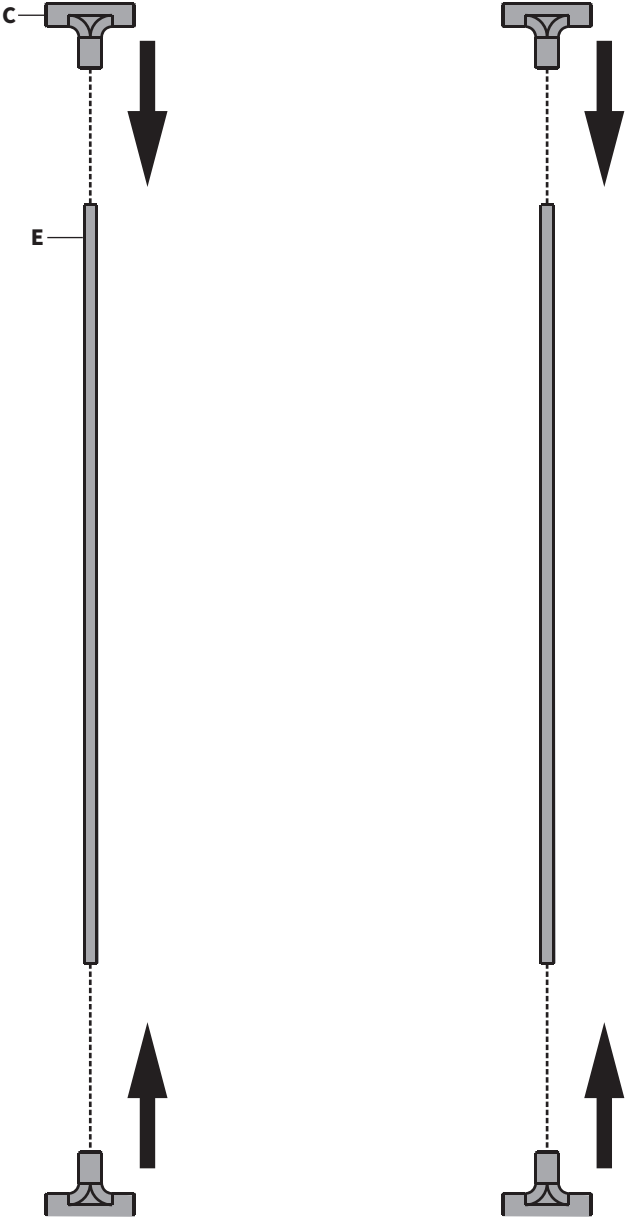


Pencil

ASSEMBLY STEPS

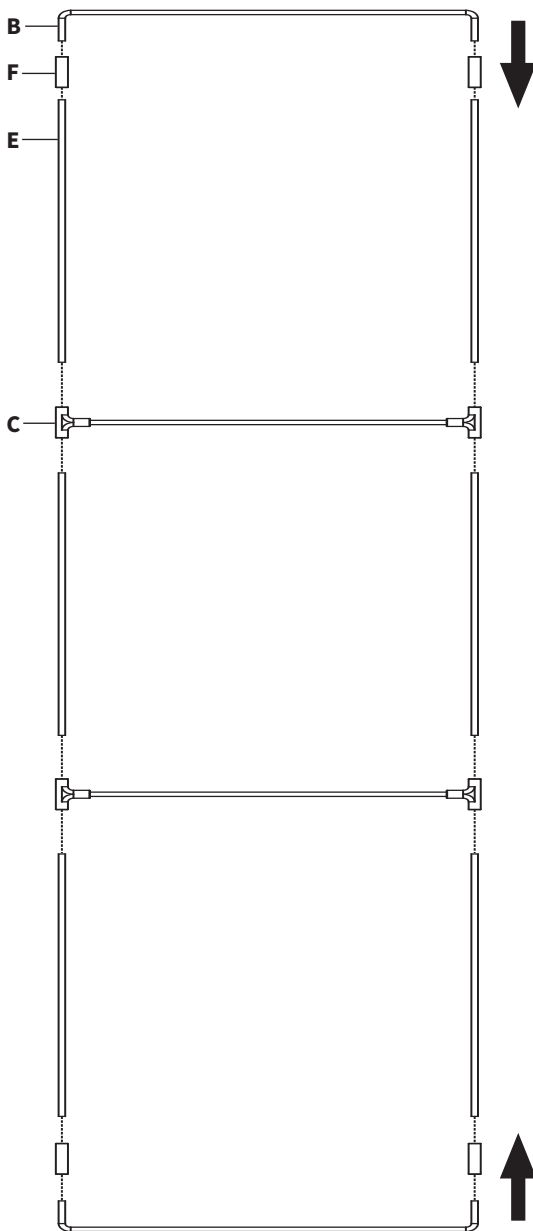
STEP 1

Connect the centers of the T Joiners (C) to the ends of two Rods (E).



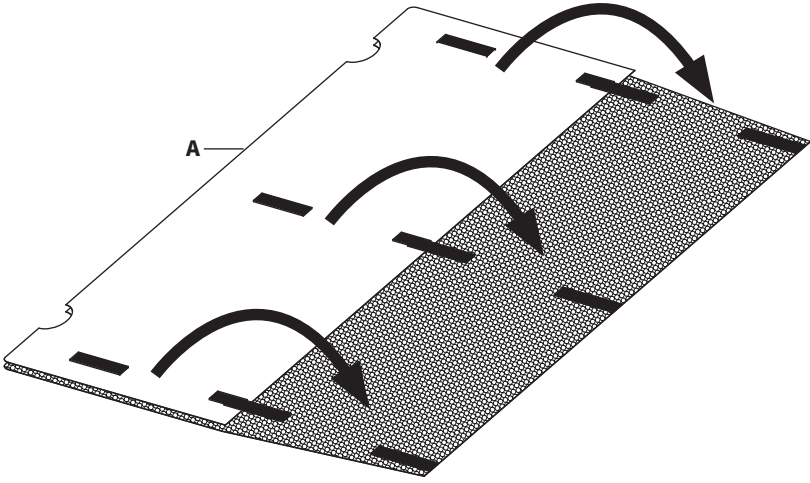
STEP 2

Connect additional Rods (**E**) to the sides of the T Joiners (**C**), then connect the Joiners (**F**) and Side Rods (**B**) to the sides to complete the frame assembly. Lightly tap each joint against a hard surface to ensure all rods and joiners are fully pressed in.

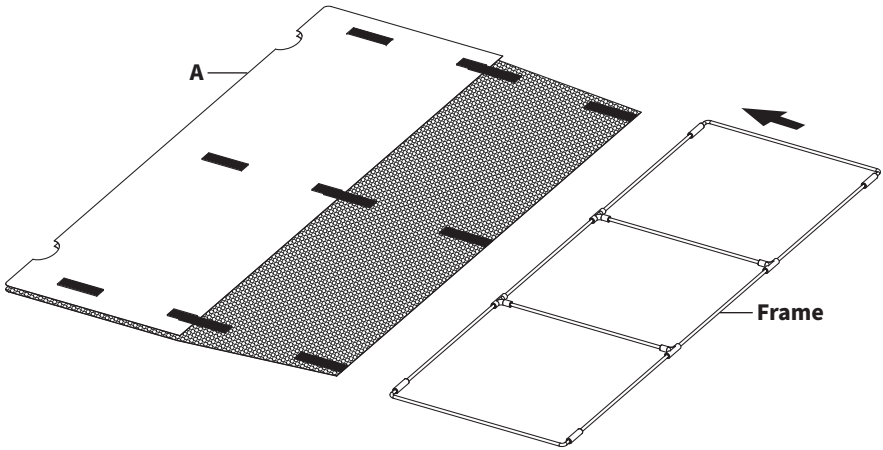


STEP 3

Open the flap and straps of the Panel (A).



Insert the **Frame** into the Panel (A), making sure the frame is fully inserted and the material is tightly stretched around it.

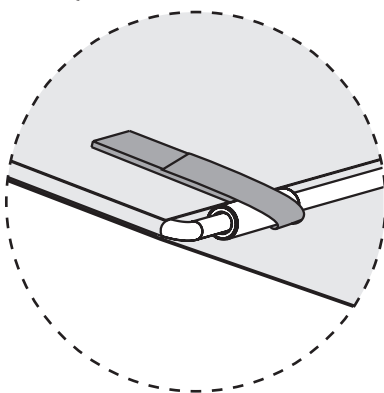
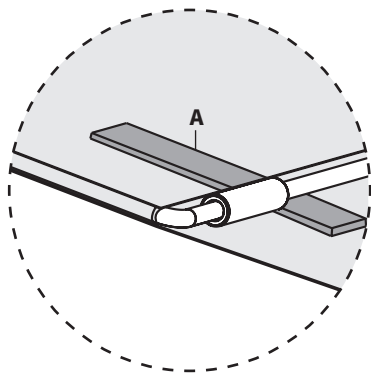
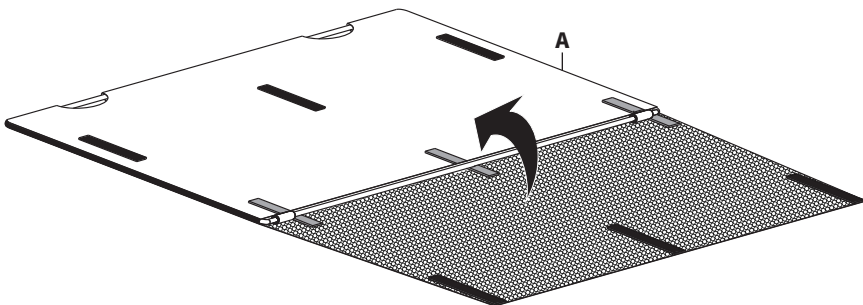


Snug Fit:

Fabric on Panel has a tight fit around the frame and may need to be stretched before inserting the frame.

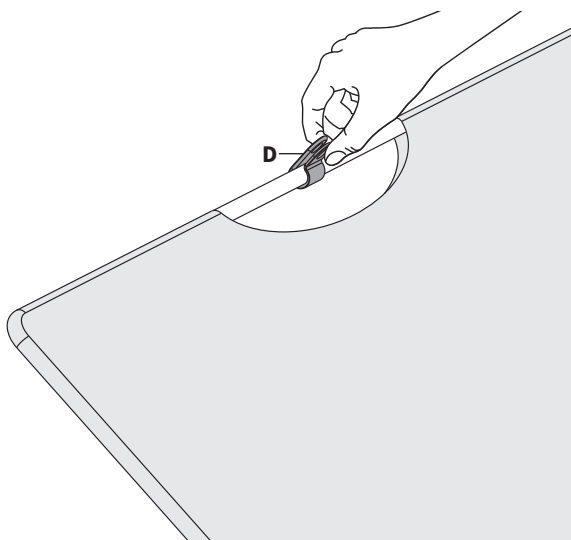
STEP 3 - Cont'd

Fasten Straps (**A1**) on inside of Panel (**A**) to secure the frame.



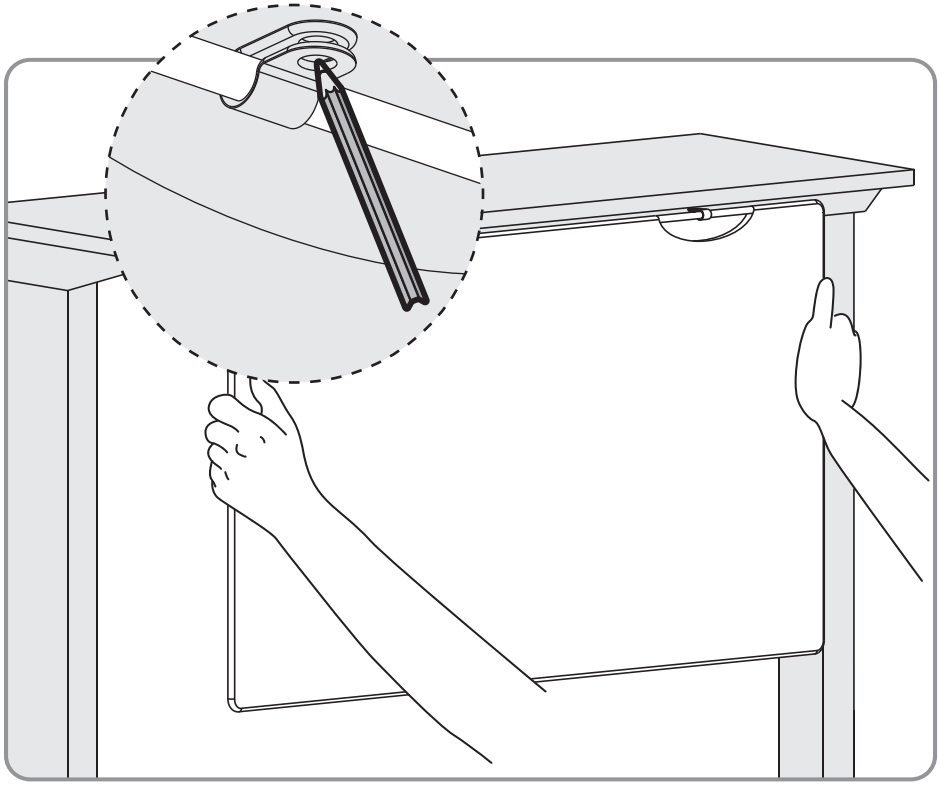
STEP 4

Place the plastic Mounting Clips (**D**) in the center of each exposed portion of the steel bars.



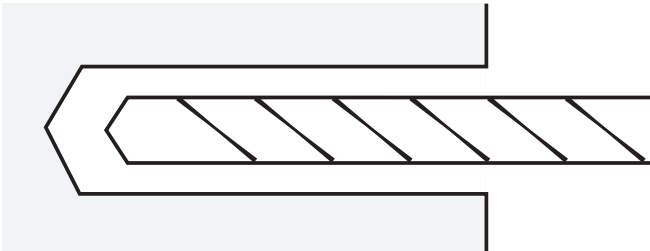
STEP 5

Center the assembled panel under the desktop. Mark drilling locations using a pencil.



Pre-Drilling Instructions

Drill mounting holes using illustration below.

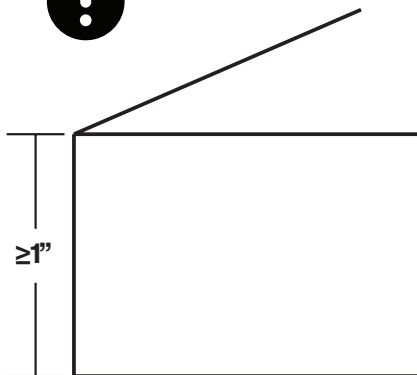
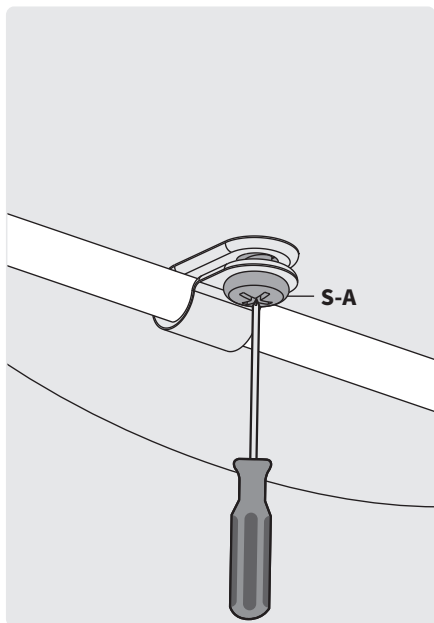


9/64" (3.5mm)
Drill Bit

5/8" (16mm)
Hole Depth

STEP 6

Mount the assembled panel to the underside of the desk using the ST4.8x19mm Screws (**S-A**) and a Phillips screwdriver as shown.



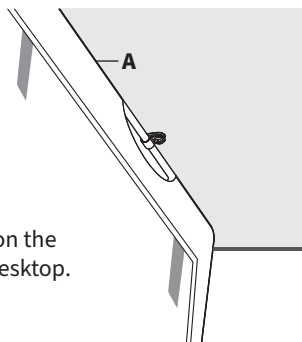
WARNING

Desktop must be at least 1" thick to prevent screws from poking out through the top and damaging the surface.



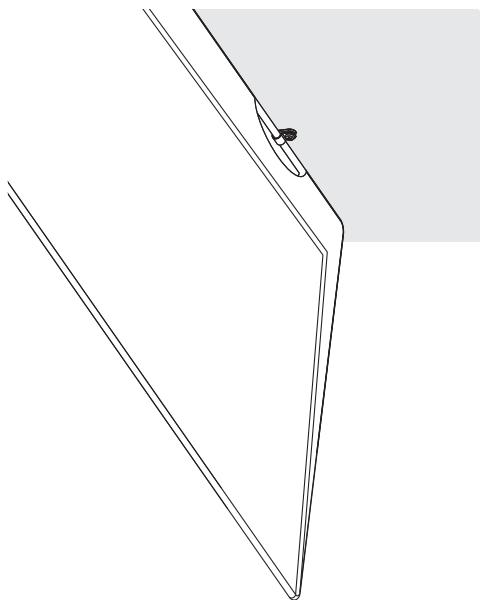
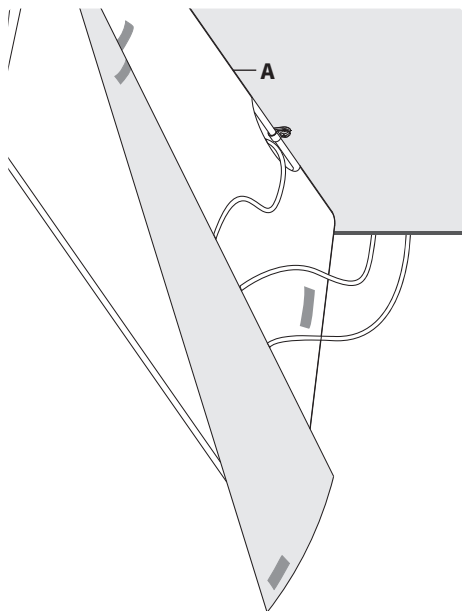
NOTE

Ensure the wire management flap on the Panel (**A**) is facing the inside of the desktop.



STEP 7

Route and organize the cables and secure them using the flap on Panel (A).



[THIS PAGE HAS BEEN INTENTIONALLY LEFT BLANK]



Need Help? Get In Touch

Monday-Friday from 7:00am-7:00pm CST



help@vivo-us.com



www.vivo-us.com

Chat live with an agent!



309-278-5303



VIVO-us @vivo_us