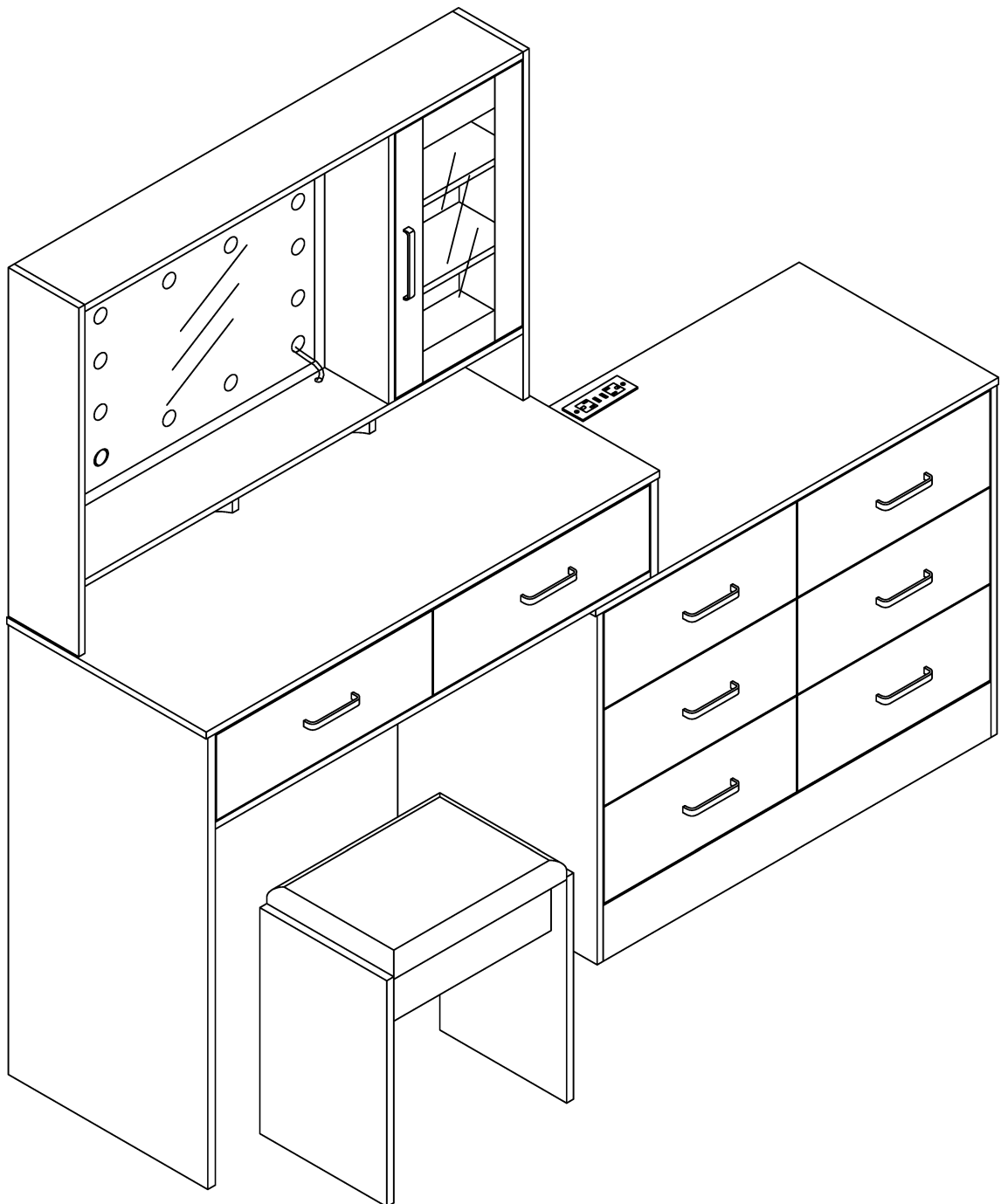


# Instruction Book

For specification: 1500cm(L)x40cm(W)x140cm(H)



Please don't tighten the screws completely and go back later for a final tightening of all the screws after pieces are aligned with each other. If you have any question, please feel free to contact us.

Foreword:

Thank you for choosing our product! We hope you have a good shopping experience!

We aim to provide a 100% satisfaction product and customer service. If the received product has missing parts or components, arrived damaged, dissatisfaction with the order, or has questions about the assemble, please do not hesitate to contact us. Our customer service will reply within 12 hours.

Specifications:

Product name: Makeup Vanity Desk with Lights and Mirror

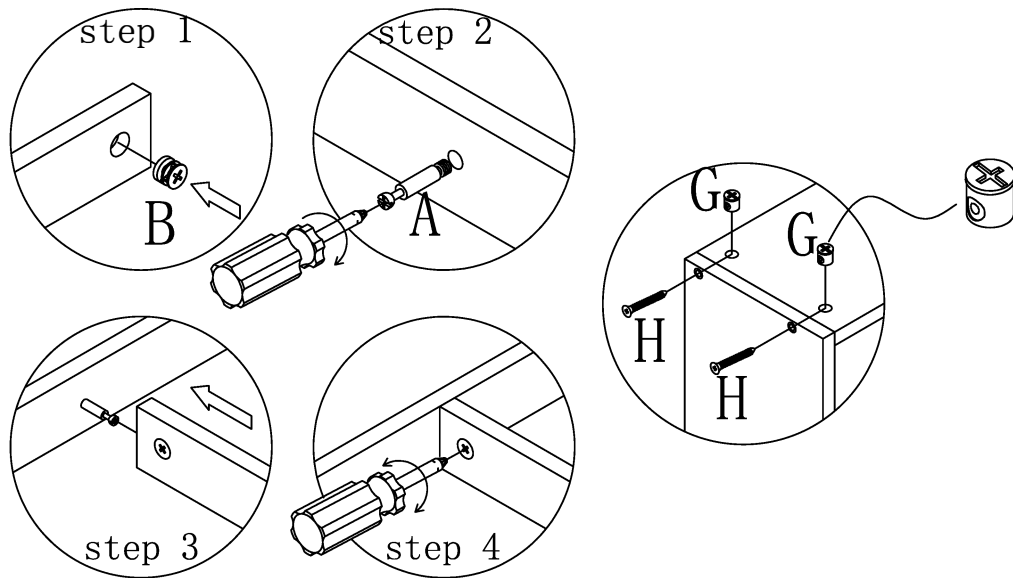
Package Dimension: 38.2 x26 x8.7 in / 98\*67\*22 cm

Product Size: 59.1 x15.7 x55.1 in / 150 x 40×140 cm



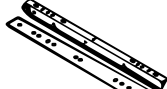





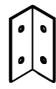
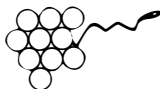
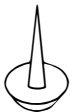
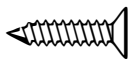



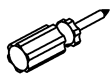
Weight: 121.4lb/55KGS

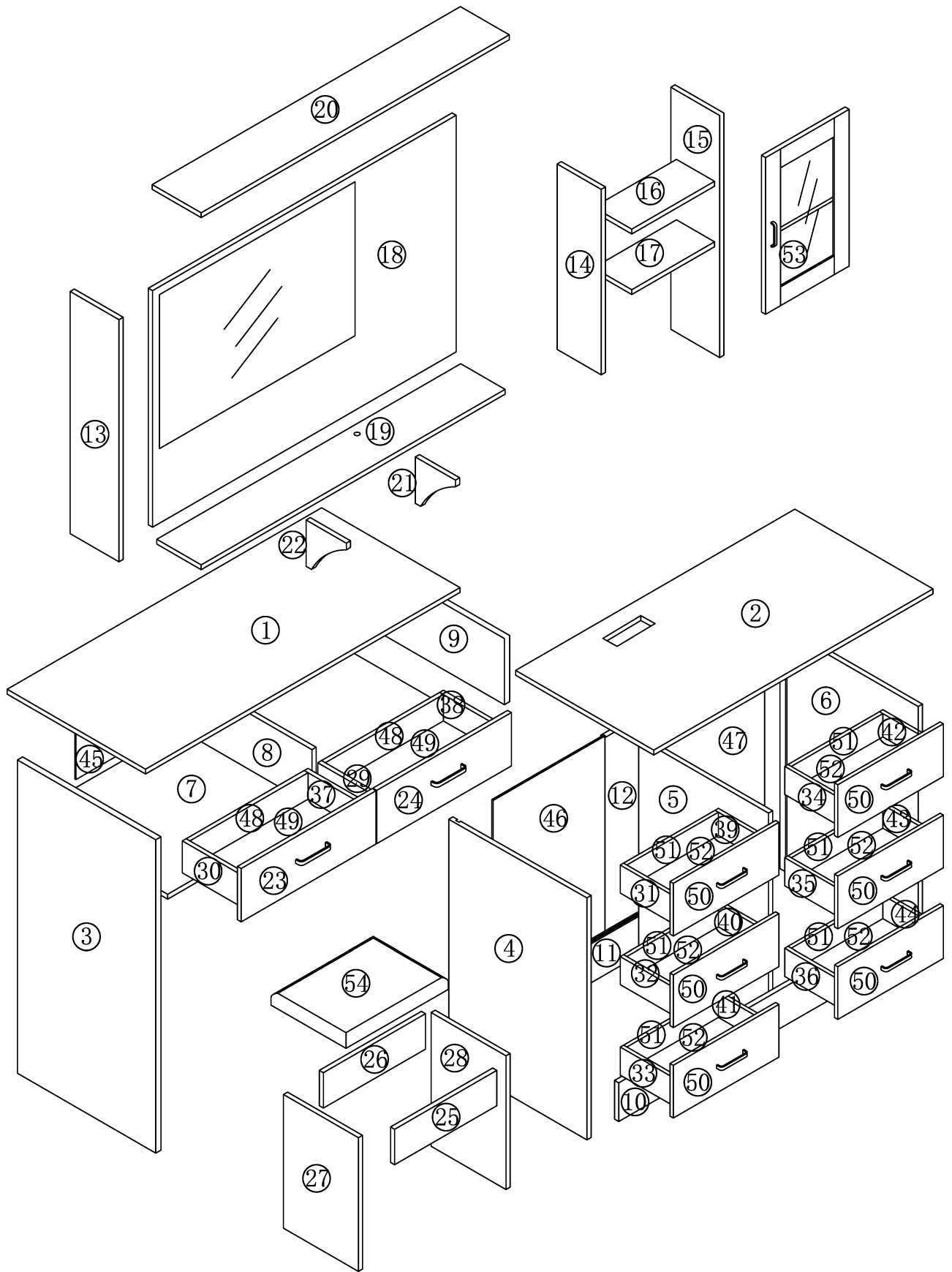
# Left cabinet

## A, B, G, H, C, D installation guide

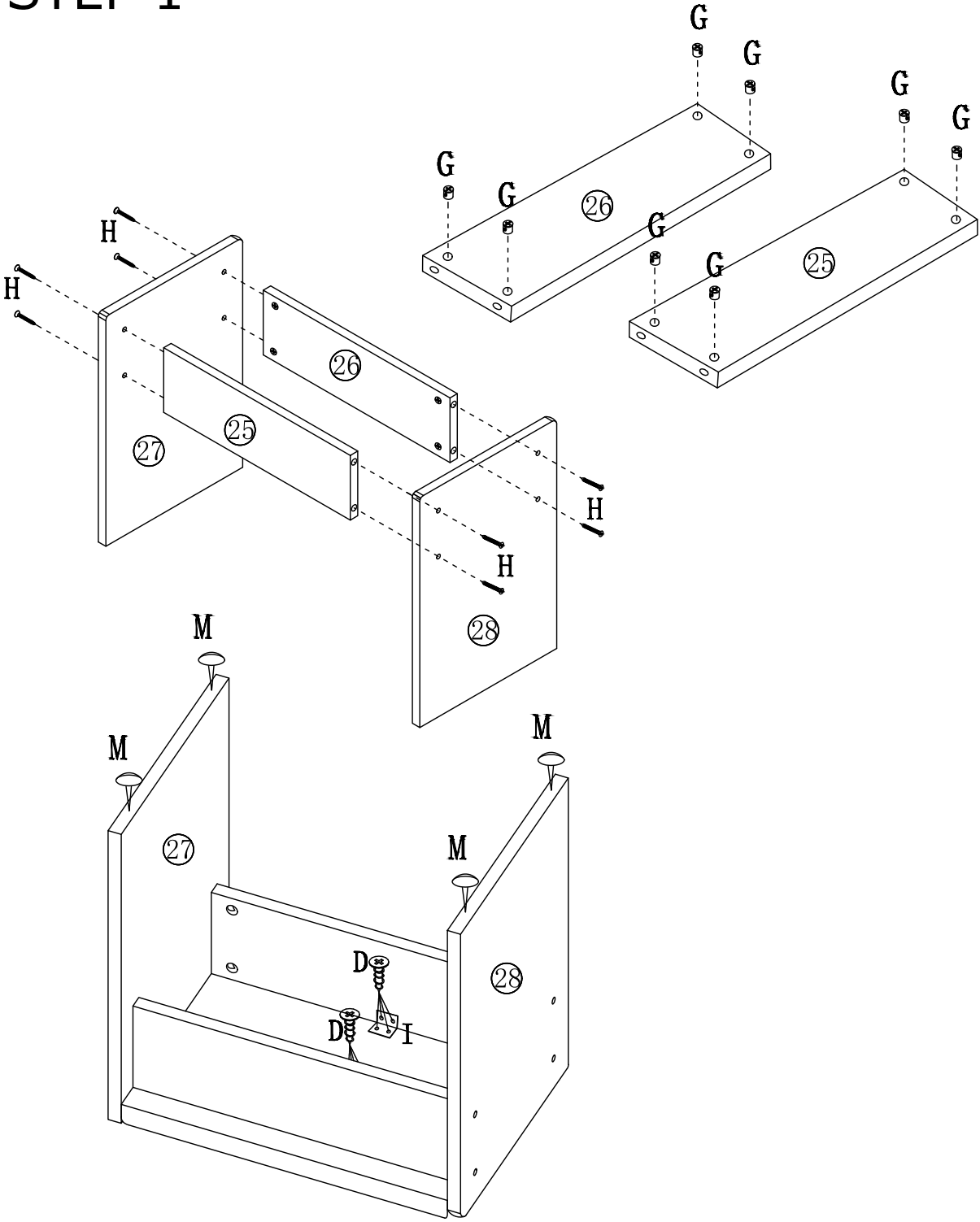







## Accessories

 Three-in-one screw A*96	 Three-in-one nut B*96	 drawer Track C*32		 Small Screw D*90	
 Handle E*9	 Handle Screw F*16	 Two-in-one nut G*8	 Two-in-one screw H*8	 Comer code I*2	 Bulb K*1
 Stool foot nail M*14	 Small Screw X*36	 Handle Screw F2*2	 Door hinges O*4	 usb power Q*1	 screwdriver Z*1



# STEP 1



<p>G</p>  <p>x8</p>	<p>H</p>  <p>x8</p>	
<p>M</p>  <p>x4</p>	<p>I</p>  <p>x2</p>	<p>D</p>  <p>x8</p>

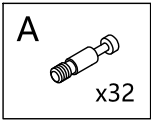
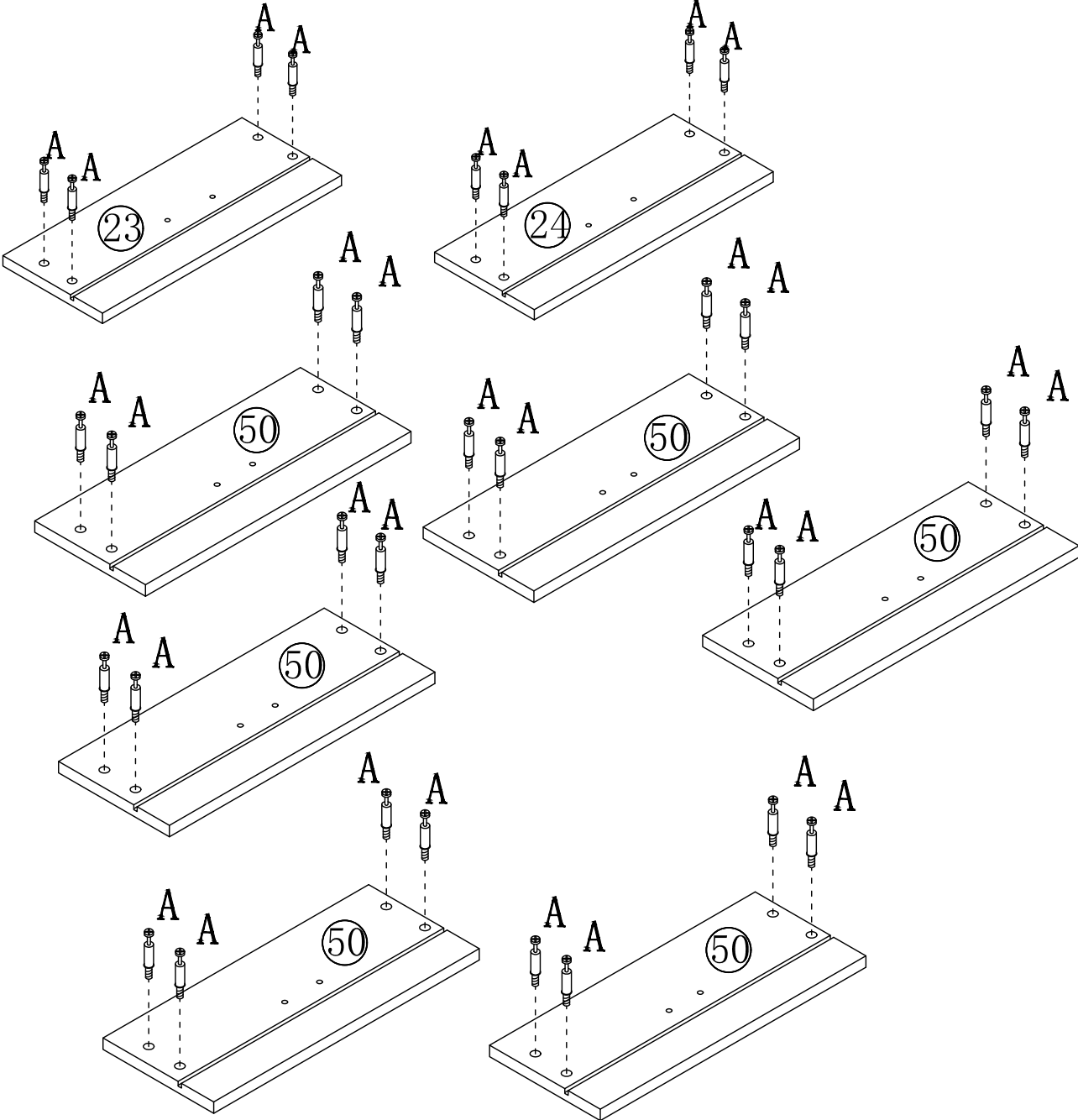
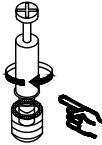
Guidelines for the use of 3-in-1 connecting rods:

The blue screw cap at the bottom of the 3-in-1 connecting rod is twist-able, and it can be twisted clockwise or counterclockwise to fit the size of the reserved holes in the wooden board.

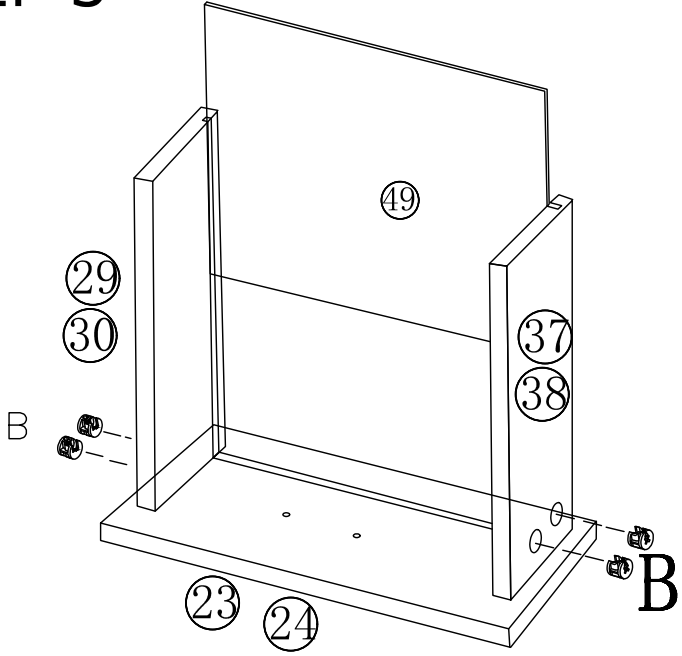
When you use this 3-in-1 connecting rod, if you find that it can't be inserted into the reserved holes on the wooden board, just loosen the blue screw cap a bit until it fits into the holes of the board. Then use a screwdriver to tighten the screws. Note: If the bottom blue screw cap is not stretched apart by the three-in-one connecting rod in the reserved hole, the connected part will appear unstable .

# STEP 2

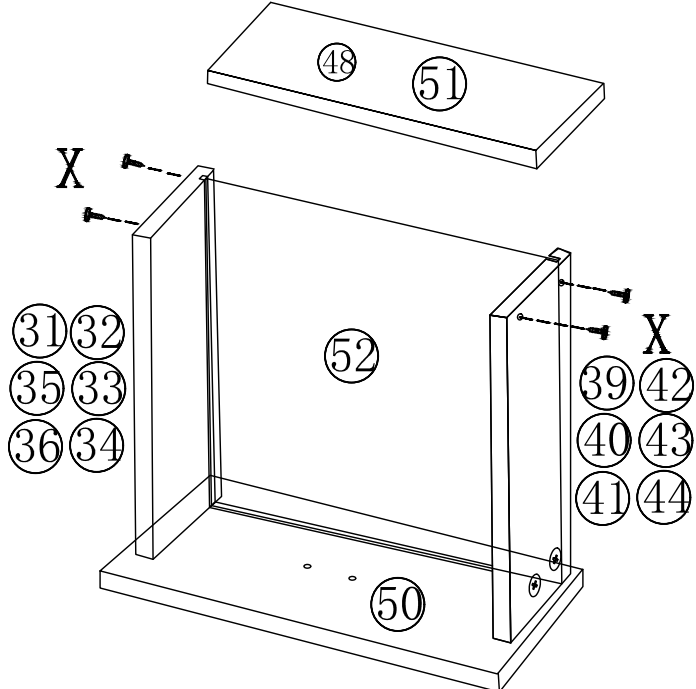
Put it into the reserved holes and tighten screw




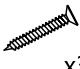
# STEP 3



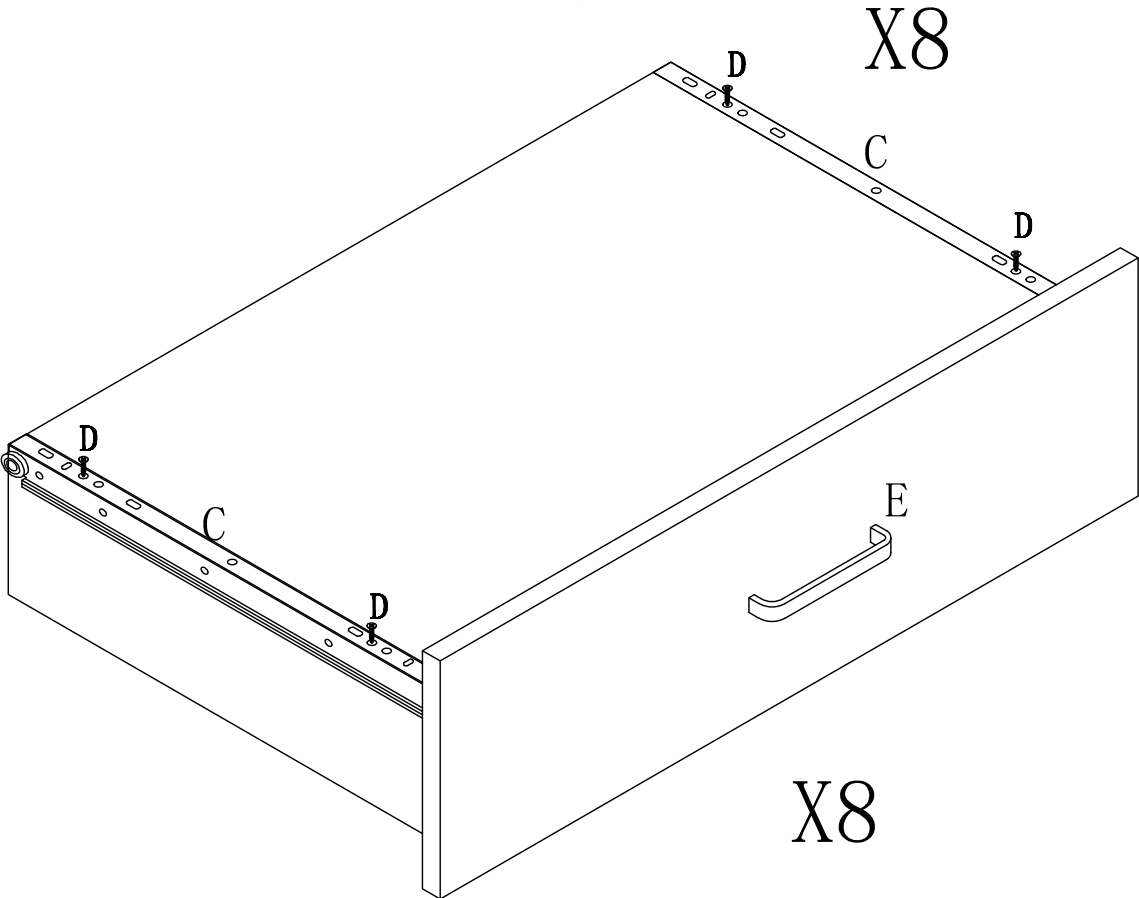
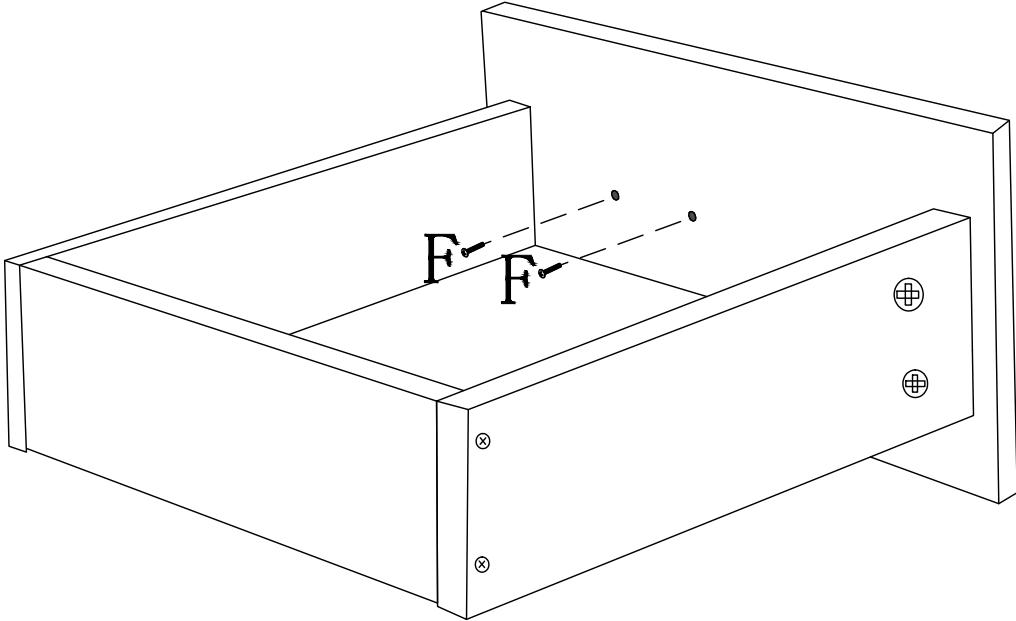
X2







X6

<p><b>B</b></p>  <p>x32</p>	<p><b>X</b></p>  <p>x32</p>
--	--

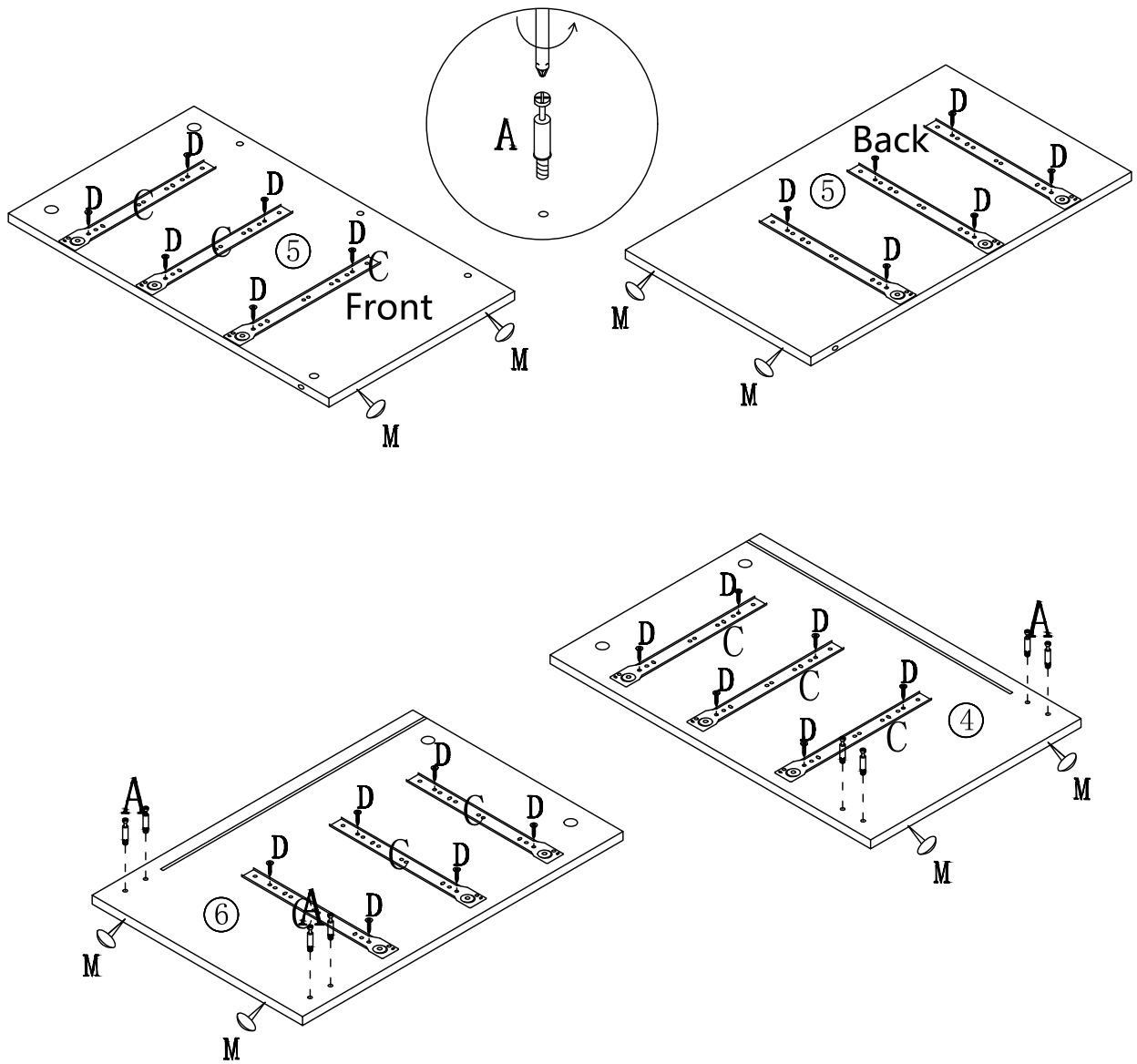
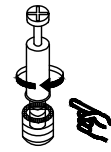
# STEP 4



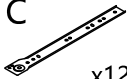



E		F	
	x8		x16
C		D	
	x16		x32

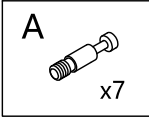
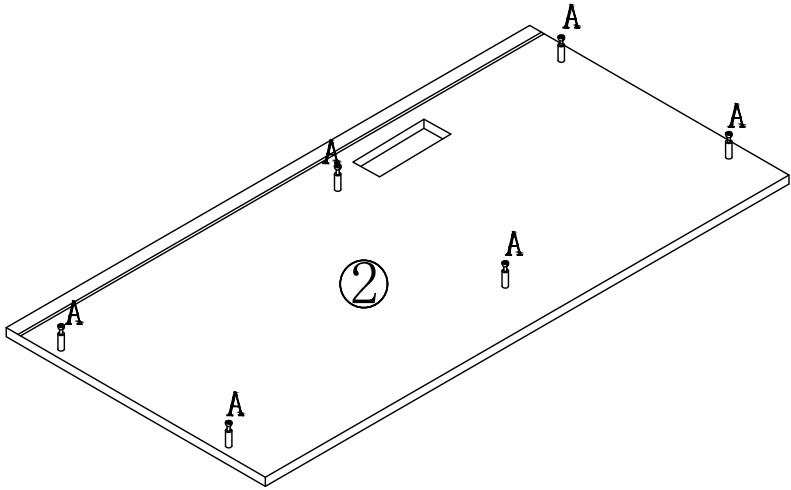
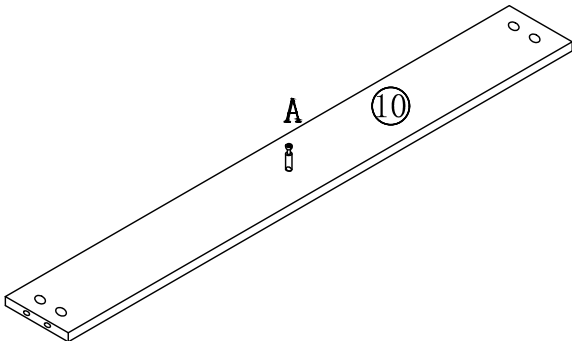
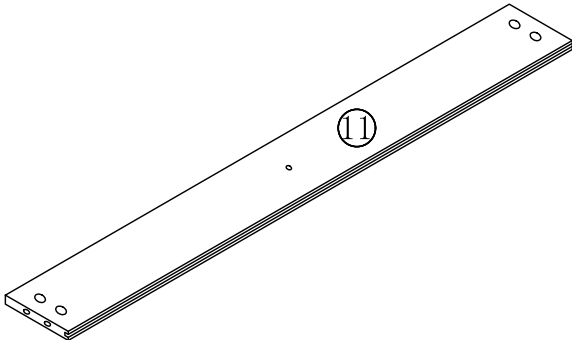
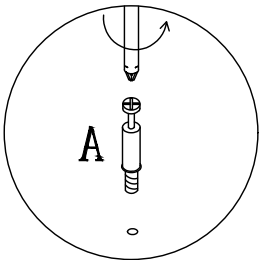
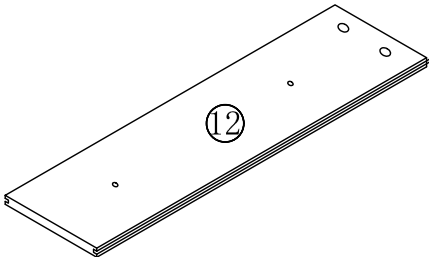
# STEP 5

Put it into the reserved holes and tighten screw

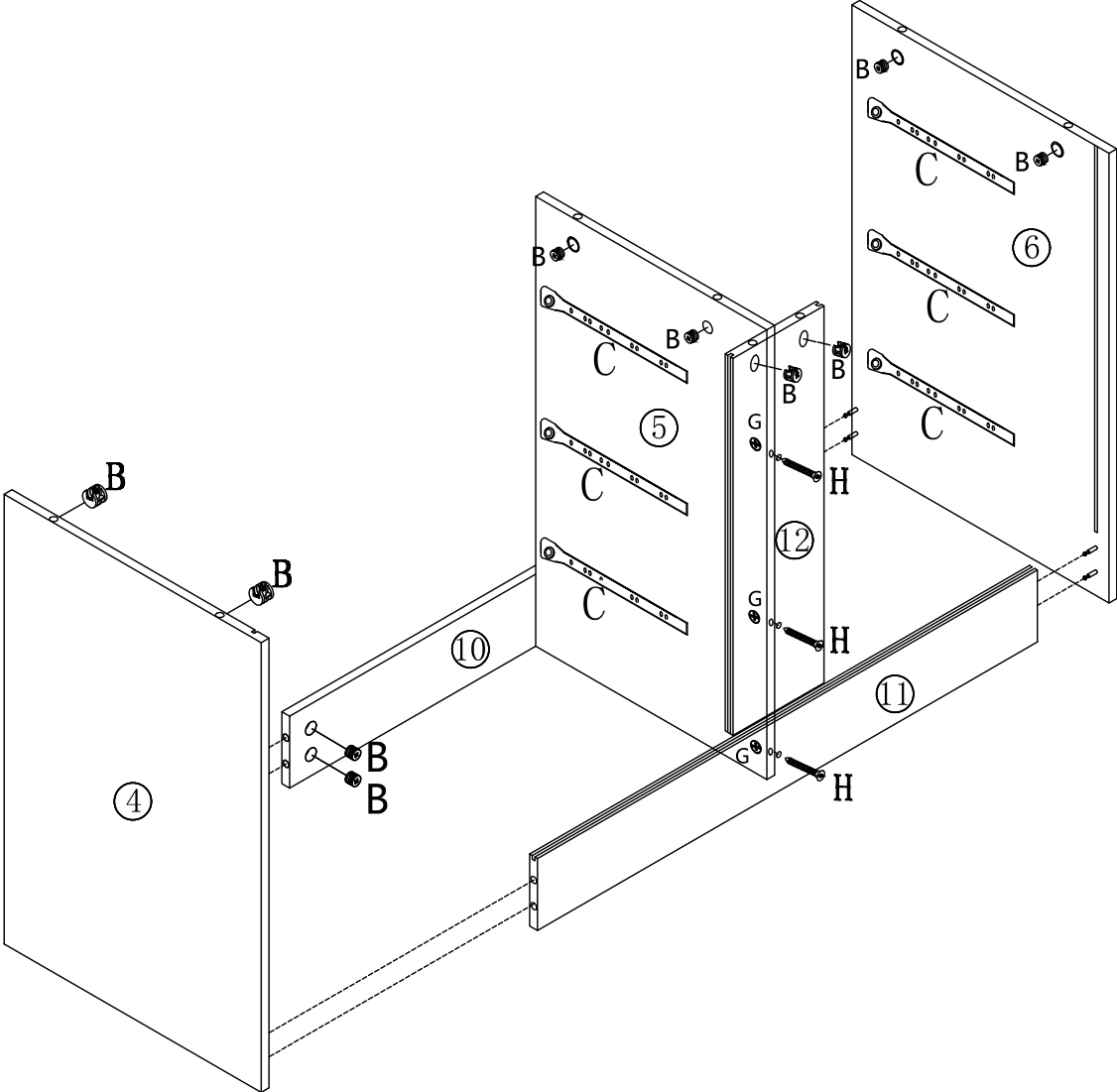





A  x8	M  x6
C  x12	D  x24

# STEP 6

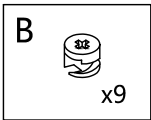
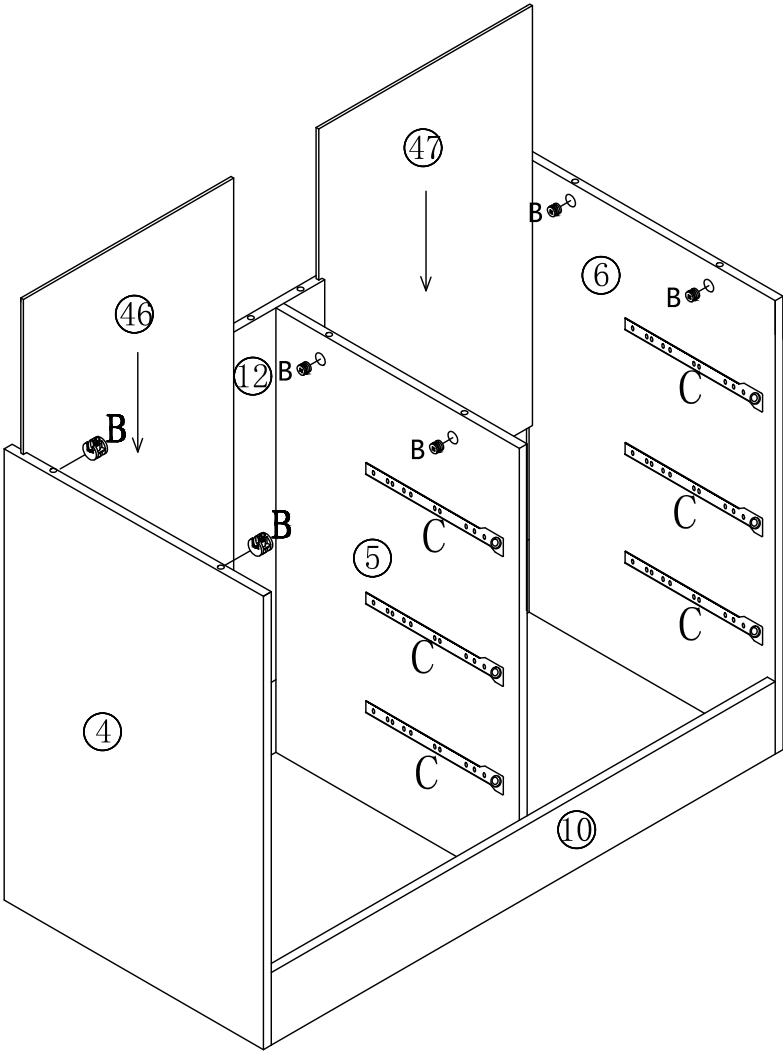


# STEP 7

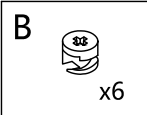
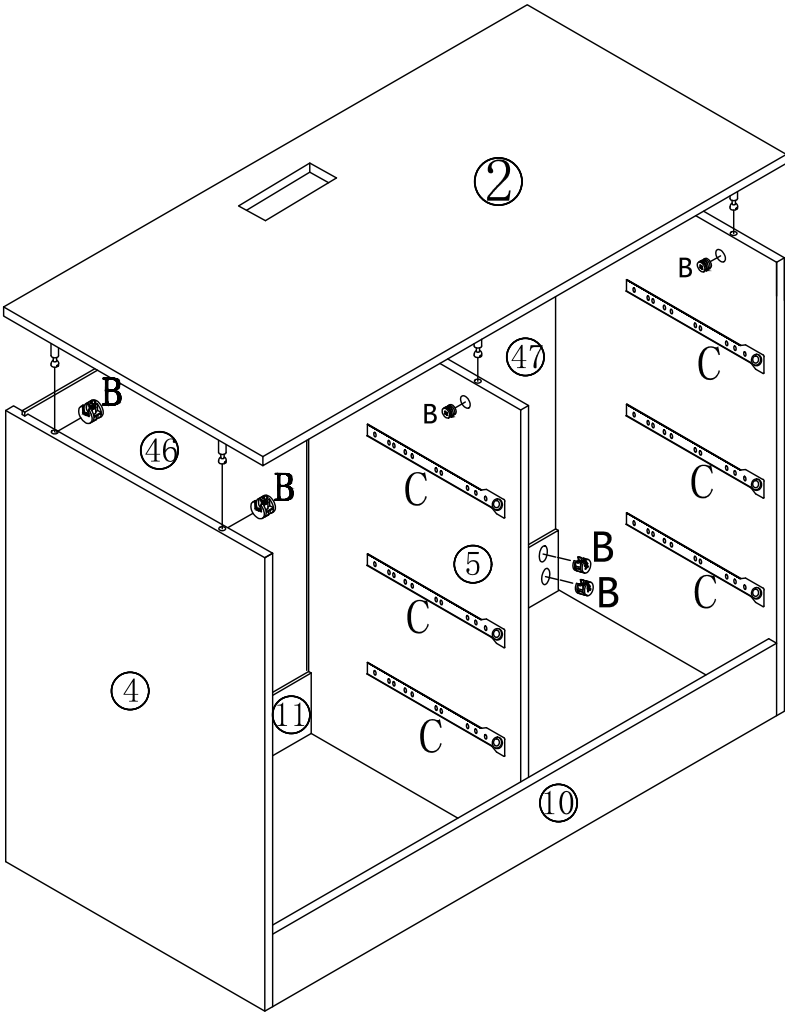


- |  |  |
|--|--|
| B  x9 |  |
| G  x3 | H  x3 |

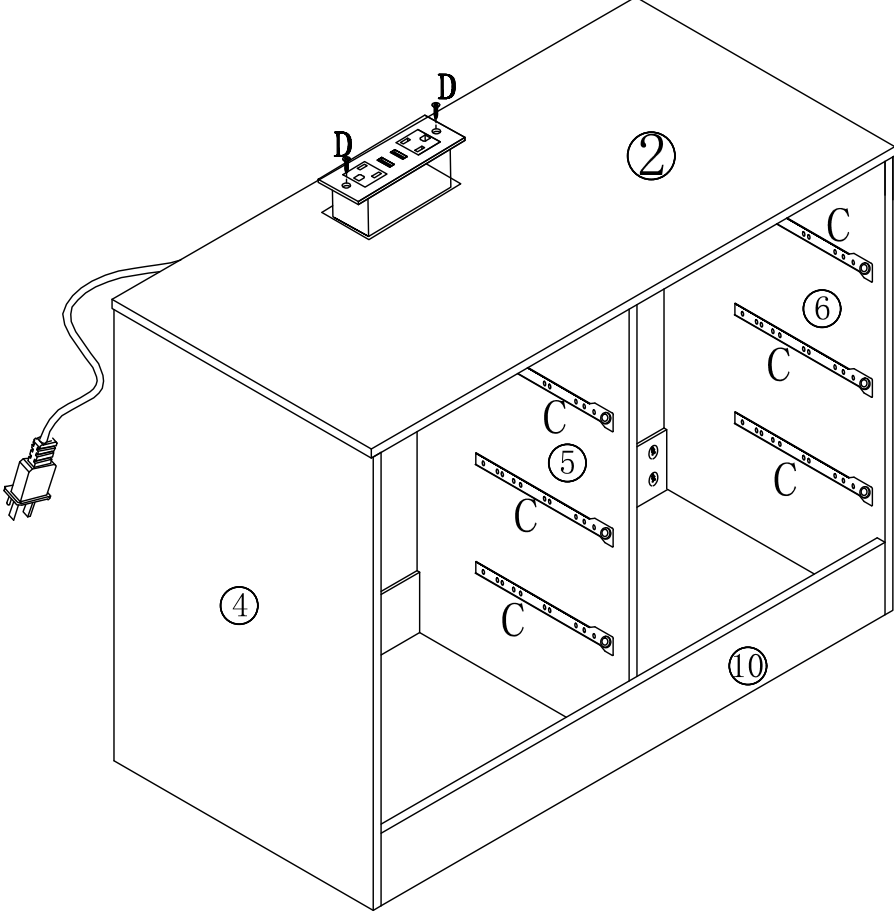
# STEP 8






# STEP 9



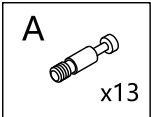
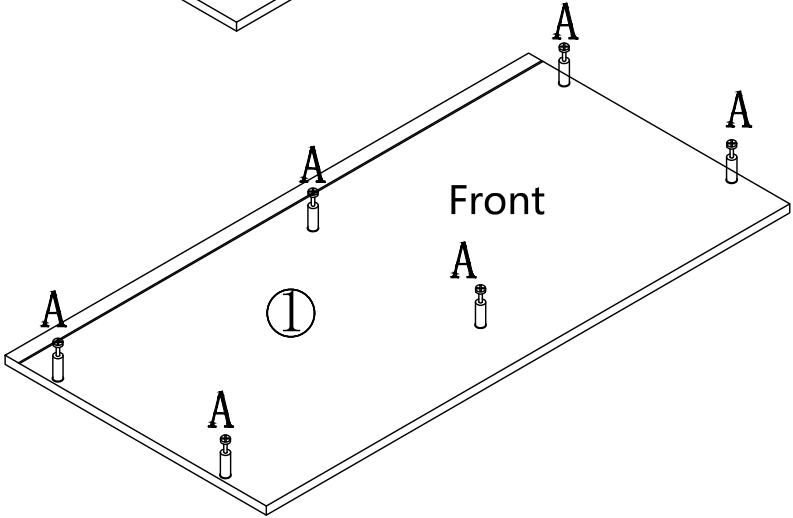
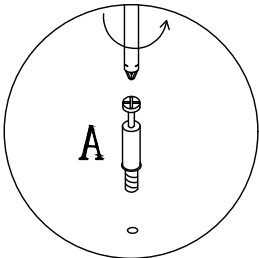
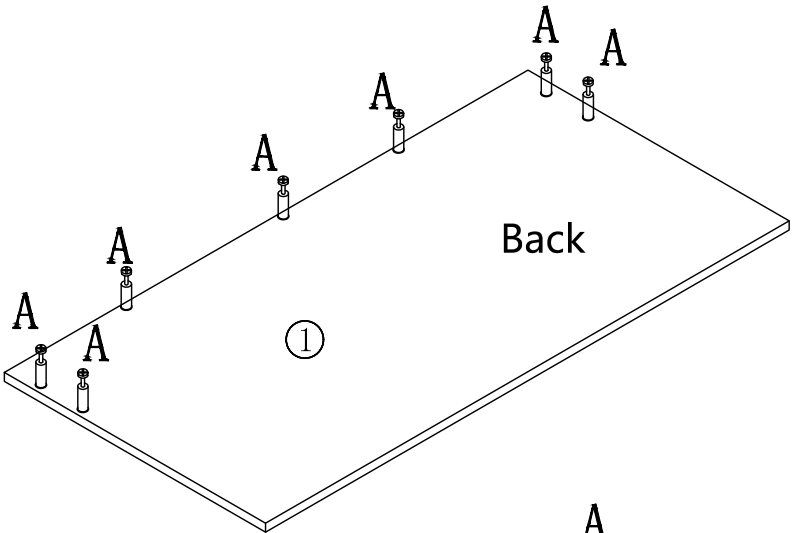
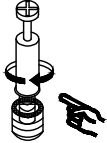
# STEP 10



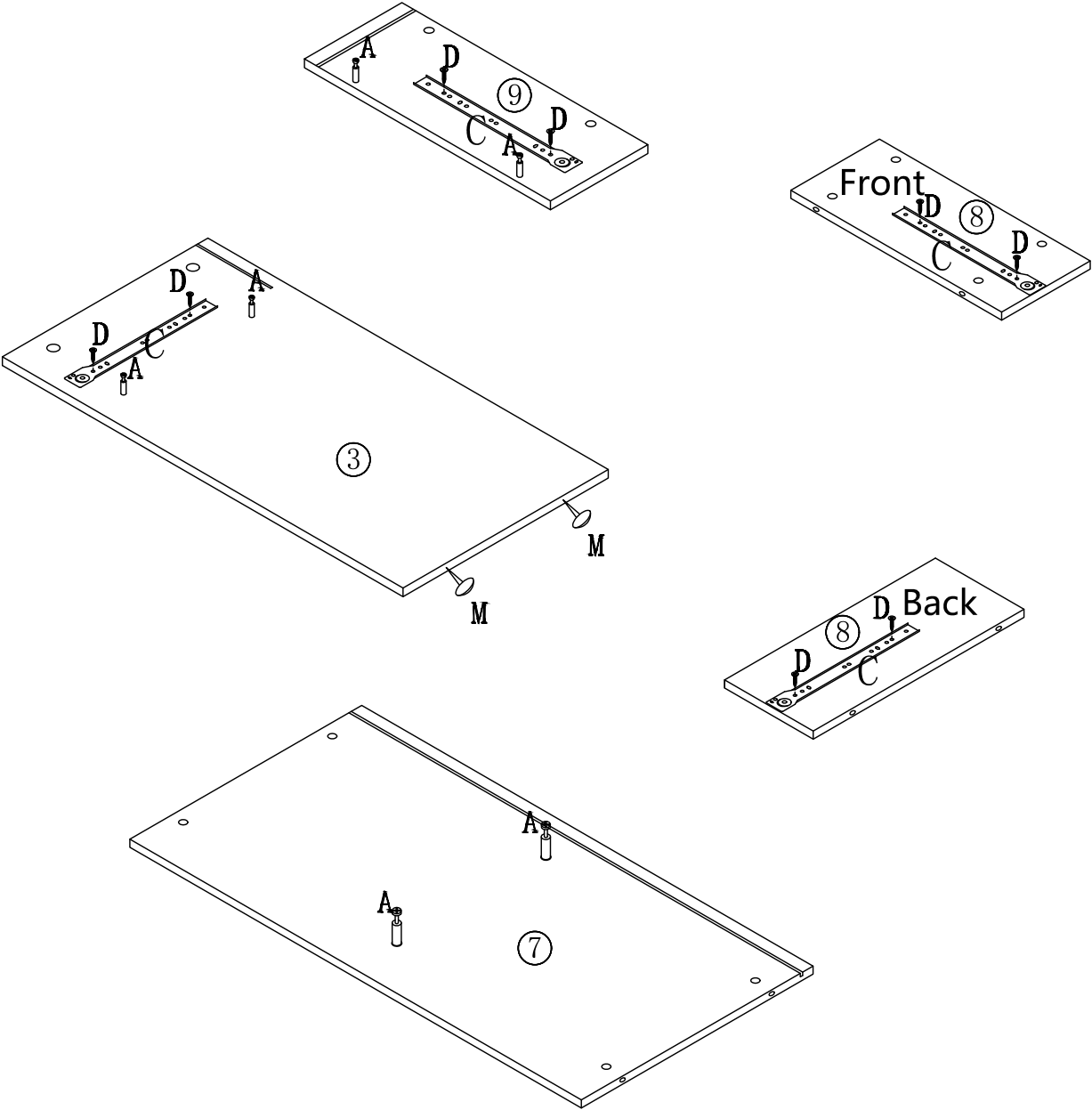
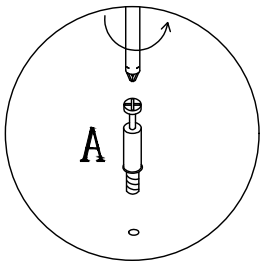
- B  x6
- Q  x1
- D  x2



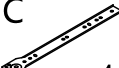

# STEP 11

Put it into the reserved holes and tighten screw

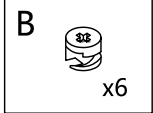
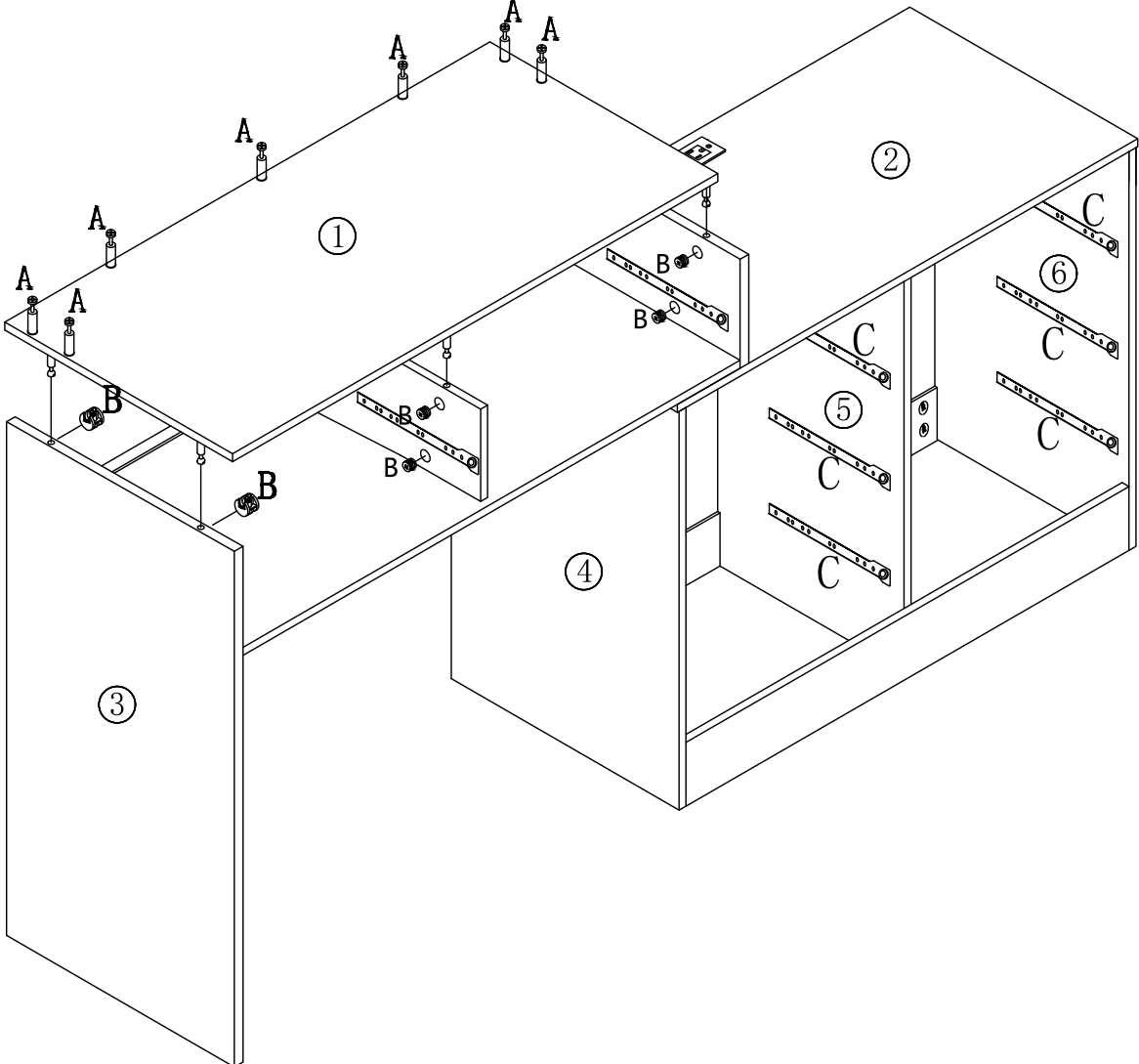
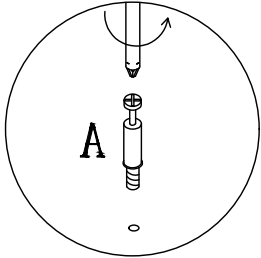


# STEP 12

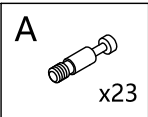
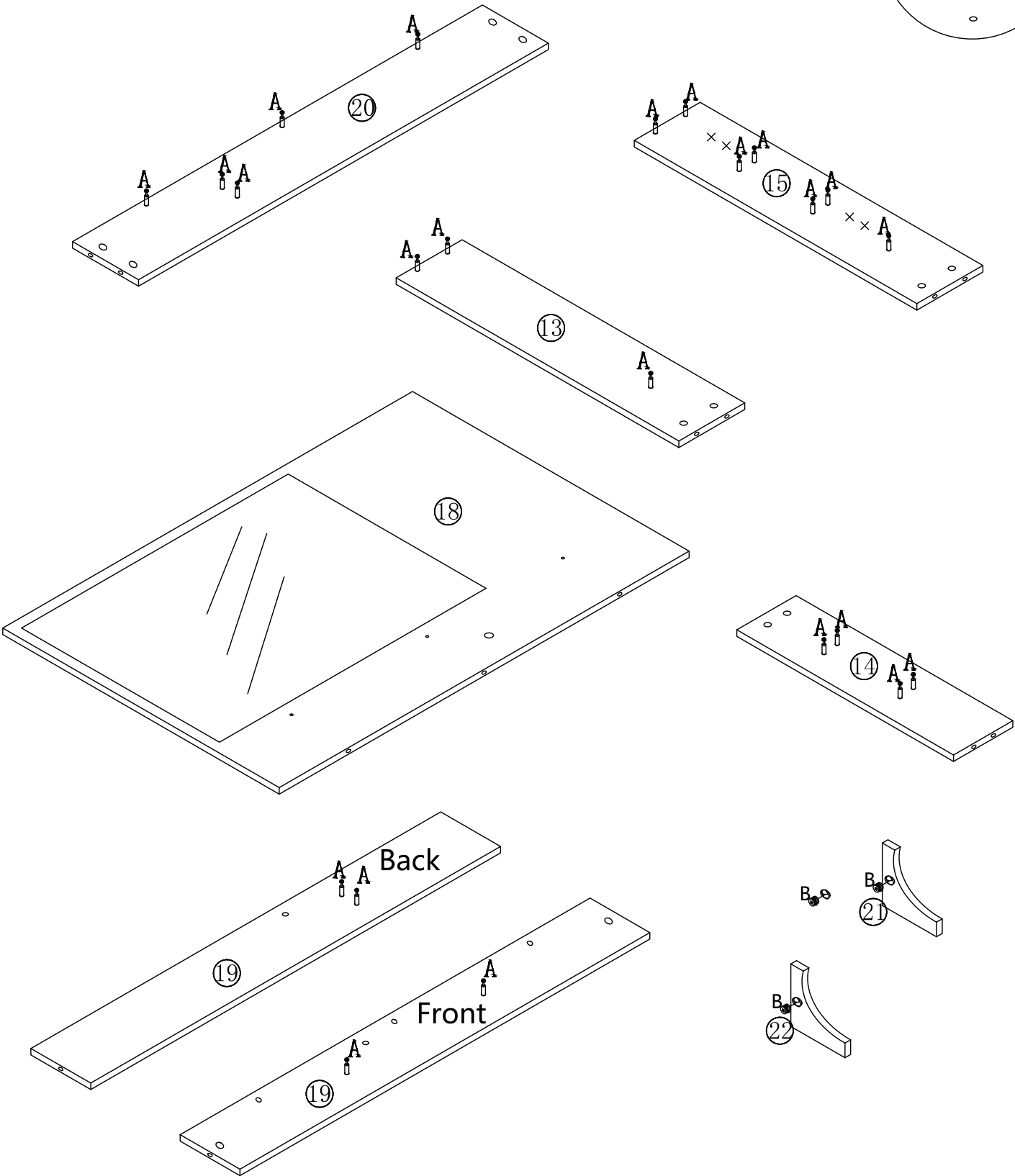
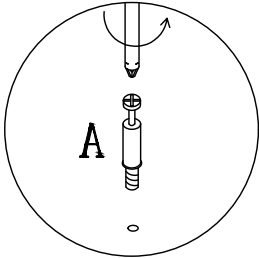


<p>A</p>  <p>x6</p>	<p>M</p>  <p>x2</p>
<p>C</p>  <p>x4</p>	<p>D</p>  <p>x8</p>

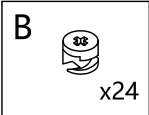
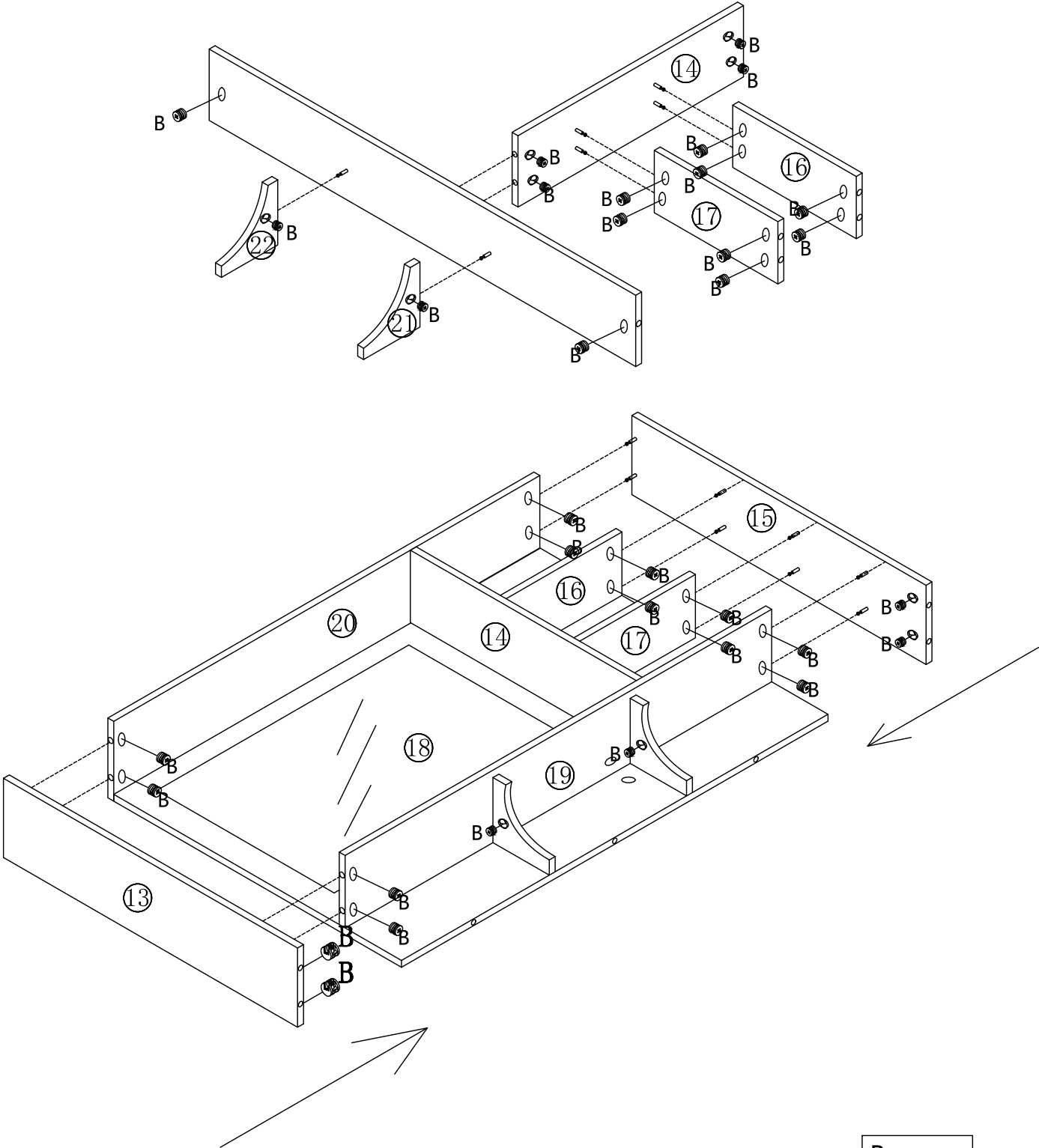
# STEP 13



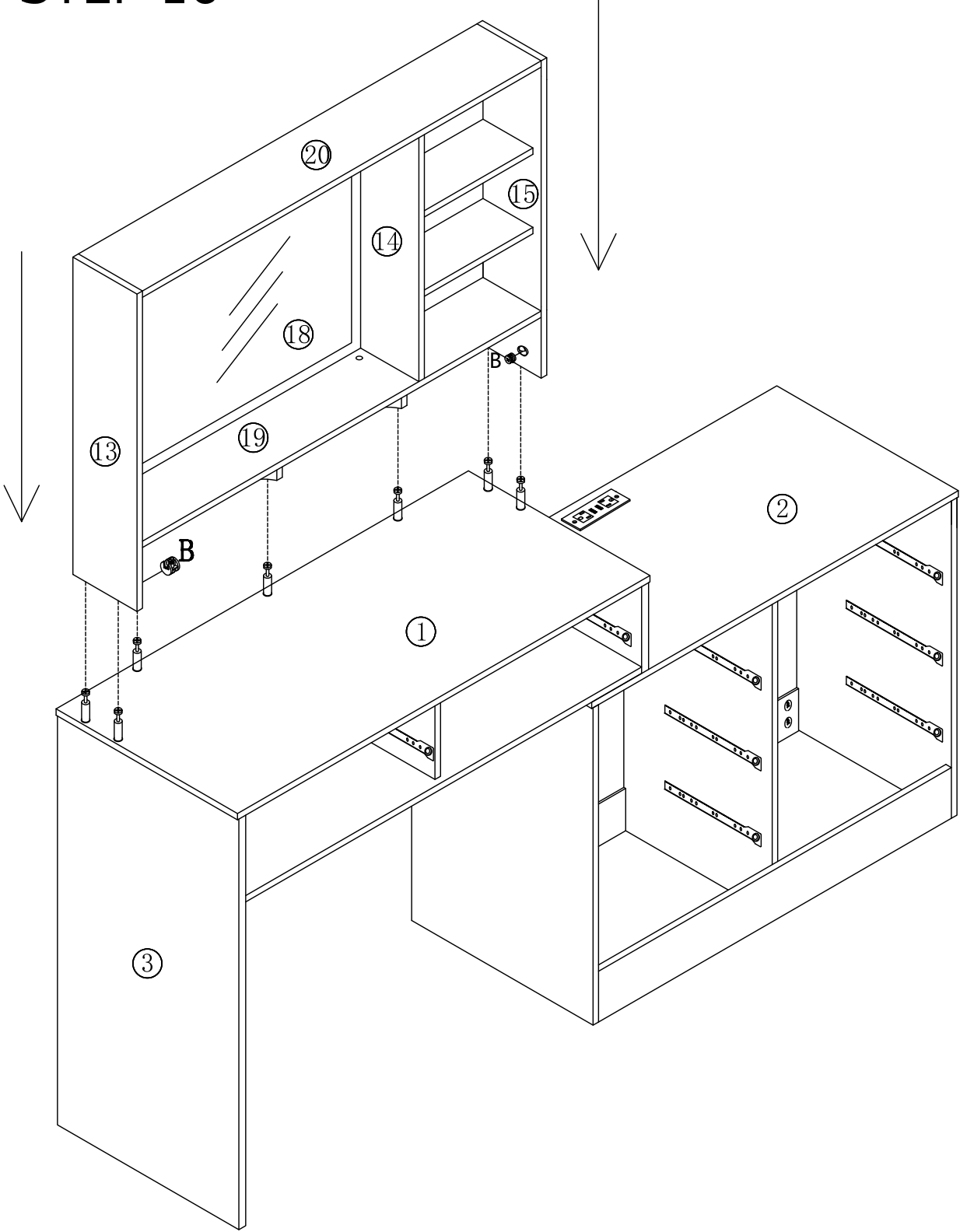
# STEP 14




# STEP 15

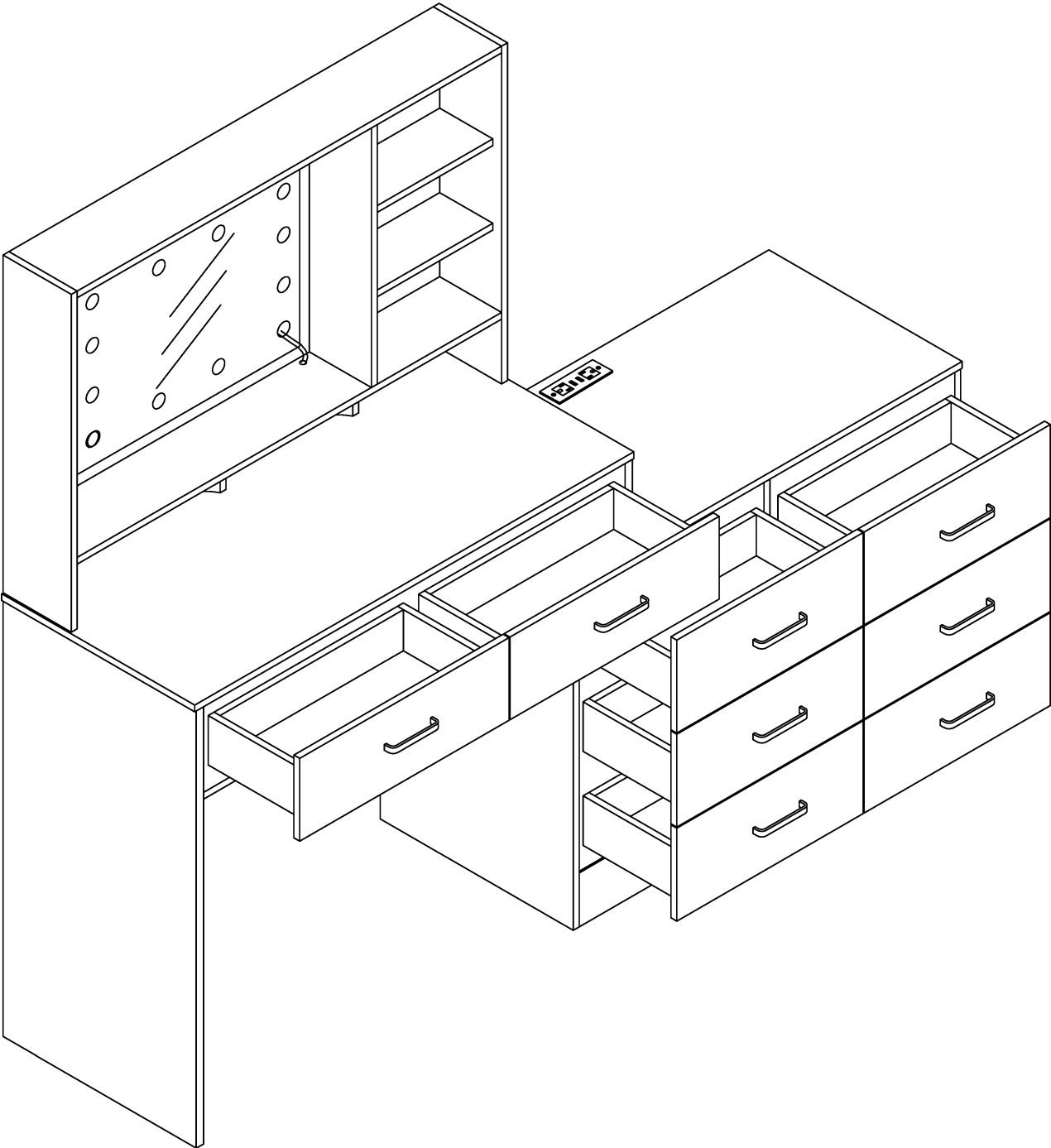



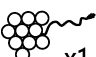
# STEP 16



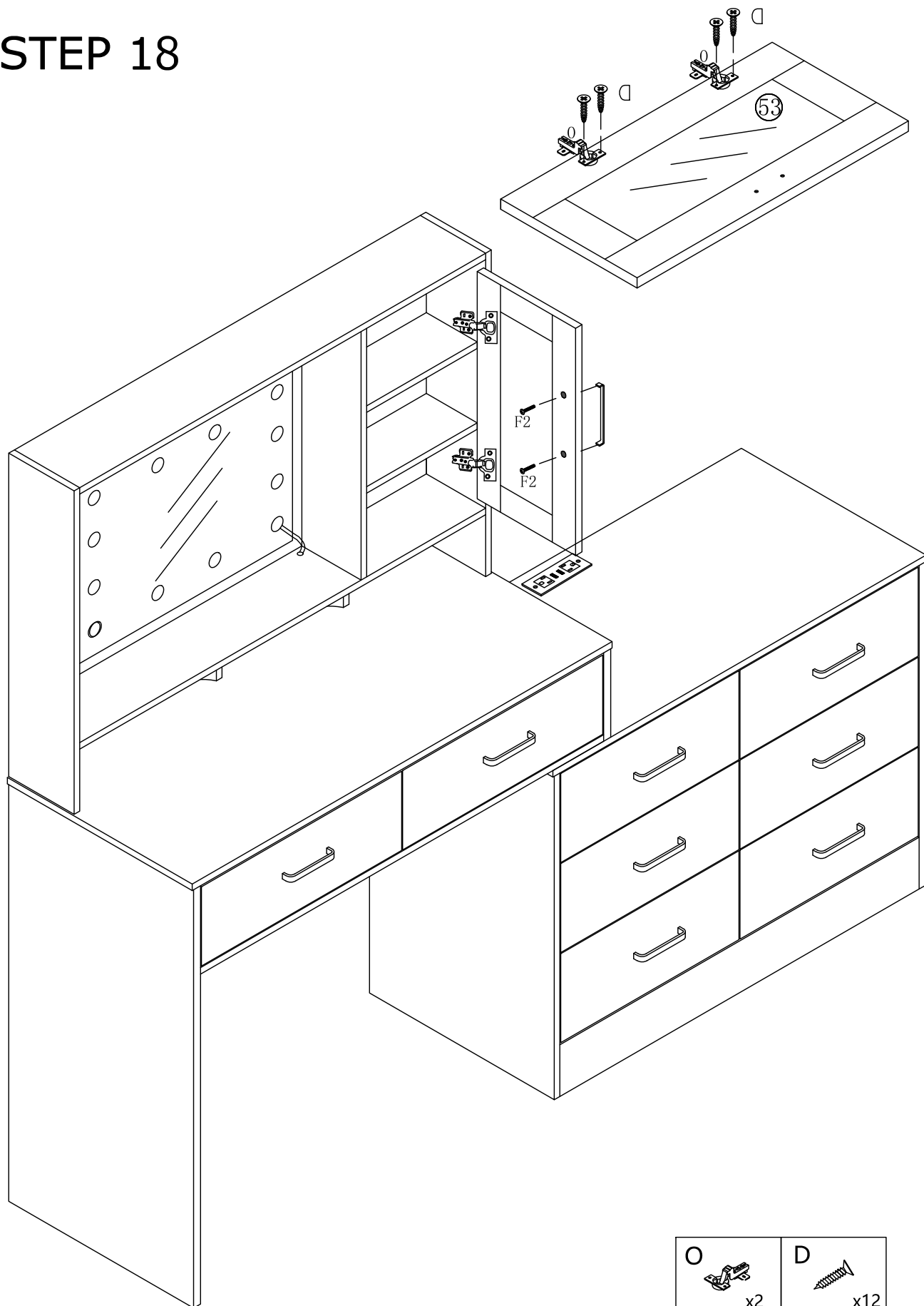
**B**  x7





# STEP 17



<b>B</b>  x7	<b>K</b>  x1
---	---

# STEP 18



O	D
	
x2	x12
E	F2
	
x2	x4

# STEP 19

