

ASSEMBLY INSTRUCTIONS



Fine Furniture for every stage of life

ASSEMBLY INSTRUCTIONS

ASSEMBLY TIPS:

1. Remove hardware from box and sort by size.
2. Please check to see that all hardware and parts are present prior to start of assembly.
3. Please follow attached instructions in the same sequence as numbered to assure fast & easy assembly.

WARNING!

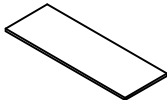
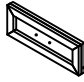

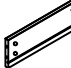


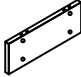
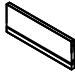
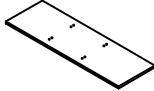
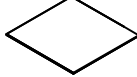
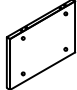

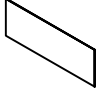
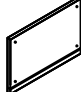
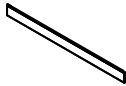

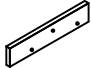
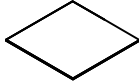
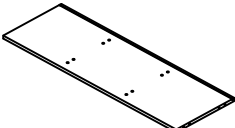
1. Don't attempt to repair or modify parts that are broken or defective. please contact the store immediately.
2. This product is for home use only and not intended for commercial establishments.



ASSEMBLY TIME

60 MINUTES

PARTS IDENTIFICATION

A	TOP		1PC	J	TOP DRAWER FRONT PANEL		3PCS
B	LEFT SIDE		1PC	K	TOP DRAWER LEFT SIDE PANEL		3PCS
C	RIGHT SIDE		1PC	L	TOP DRAWER RIGHT SIDE PANEL		3PCS
D	UPPER SUPPORT BOARD		2PCS	M	TOP DRAWER BACK PANEL		3PCS
E	MIDDLE SHELF PANEL		1PC	N	TOP DRAWER BOTTOM PANEL		3PCS
F	LOWER SUPPORT BOARD		2PCS	O	BOTTOM DRAWER FRONT PANEL		3PCS
G	BACK PANEL		1PC	P	BOTTOM DRAWER SIDE PANEL		6PCS
H	BASE LONG SIDE		2PCS	Q	BOTTOM DRAWER BACK PANEL		3PCS
I	BASE SHORT SIDE		2PCS	R	BOTTOM DRAWER BOTTOM PANEL		3PCS
				S	BOTTOM PANEL		1PC

NOTE:

Phillips head screw driver is required in the assembly process; however, manufacturer does not provide this item.

ASSEMBLY INSTRUCTIONS

ASSEMBLY TIPS:

1. Remove hardware from box and sort by size.
2. Please check to see that all hardware and parts are present prior to start of assembly.
3. Please follow attached instructions in the same sequence as numbered to assure fast & easy assembly.

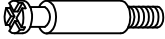



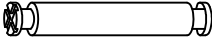



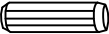

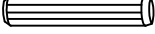






WARNING!

1. Don't attempt to repair or modify parts that are broken or defective. please contact the store immediately.
2. This product is for home use only and not intended for commercial establishments.

Z

HARDWARE IDENTIFICATION

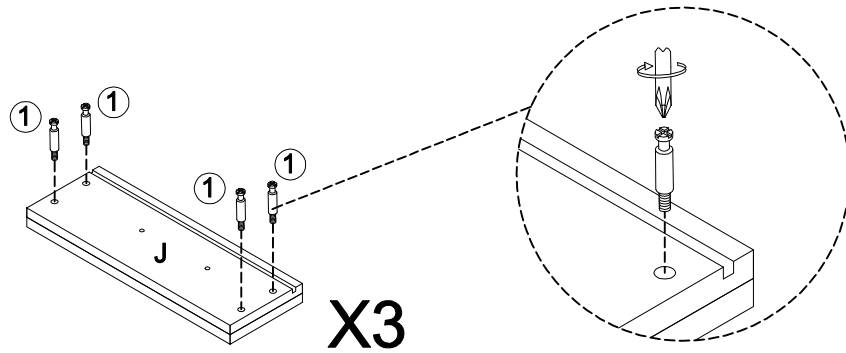
1	SHORT CAM BOLT (1/4 x 35mm - SR)		32PCS	9	SHORT BOLT (1/6 x 15mm - SR)		6PCS
2	LARGE CAM LOCK (3/5 x11mm - SR)		28PCS	10	HANDLE (143 x 13x22mm-BLK)		3PCS
3	LARGE CAM BOLT (1/4 x 70mm - SR)		4PCS	11	CAP (3/5 -WHT)		4PCS
4	SMALL CAM LOCK (3/5 x 9MM - SR)		12PCS	12	SCREWDRIVER (4mm-SR)		1PC
5	SMALL WOODEN DOWEL (1/3 x 30MM)		16 PCS	13	METAL BRACKET		6PCS
6	LARGE WOODEN DOWEL (1/3 x 50MM)		4PCS	14	WOOD SCREW (1/6 x 15mm - SR)		12 PCS
7	WOOD SCREW (1/8 x 25mm - SR)		36PCS	15	LARGE BOLT (1/4 x 25mm - SR)		6PCS
8	LARGE BOLT (1/4 x 40mm - SR)		4PCS				

NOTE:

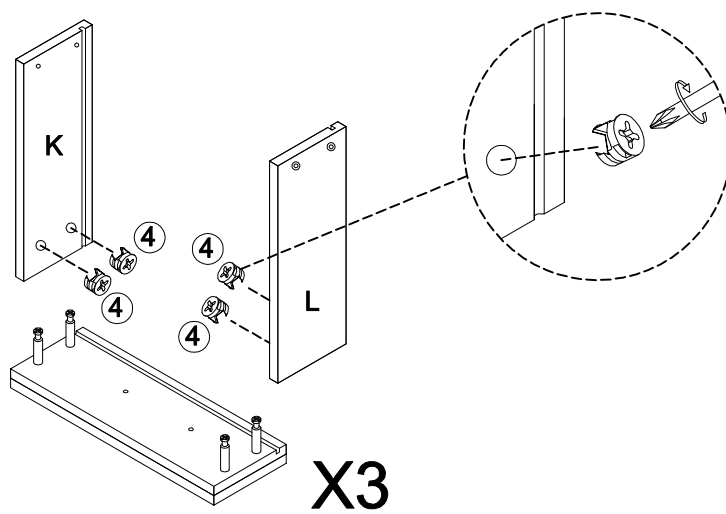
Phillips head screw driver is required in the assembly process; however, manufacturer does not provide this item.

ASSEMBLY INSTRUCTIONS

STEP 1

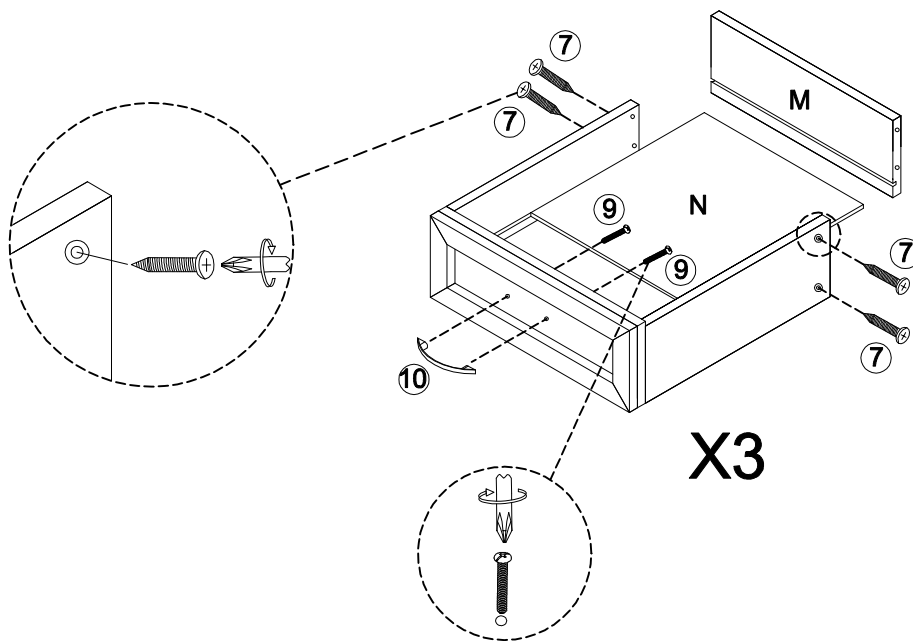


STEP 2

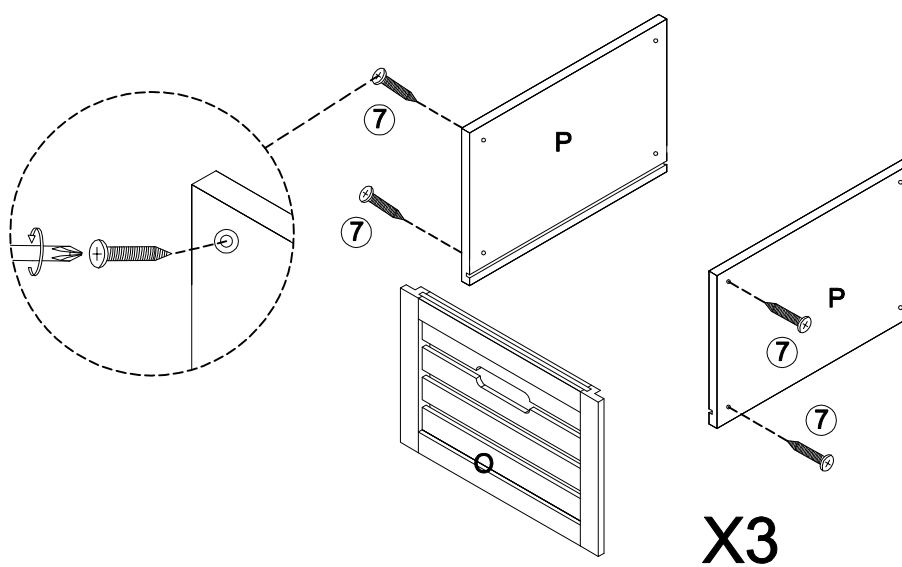


ASSEMBLY INSTRUCTIONS

STEP 3

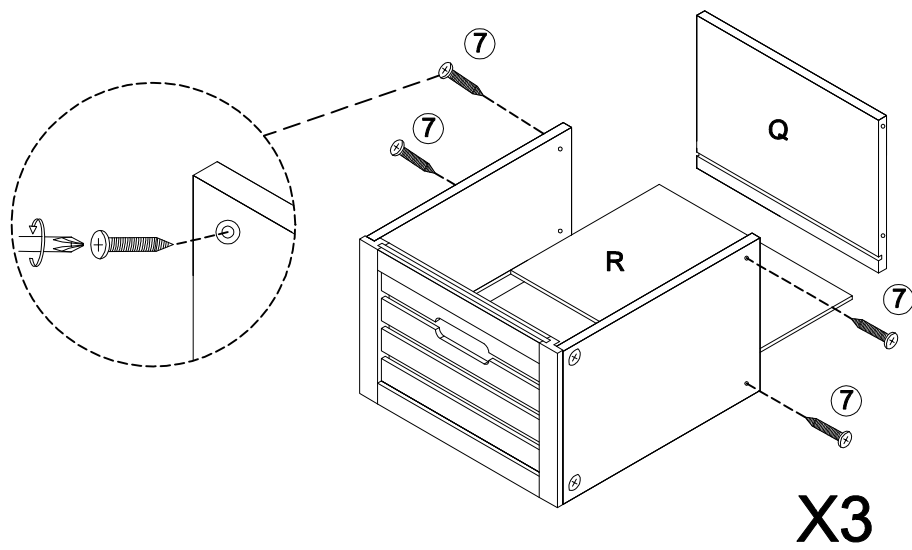


STEP 4

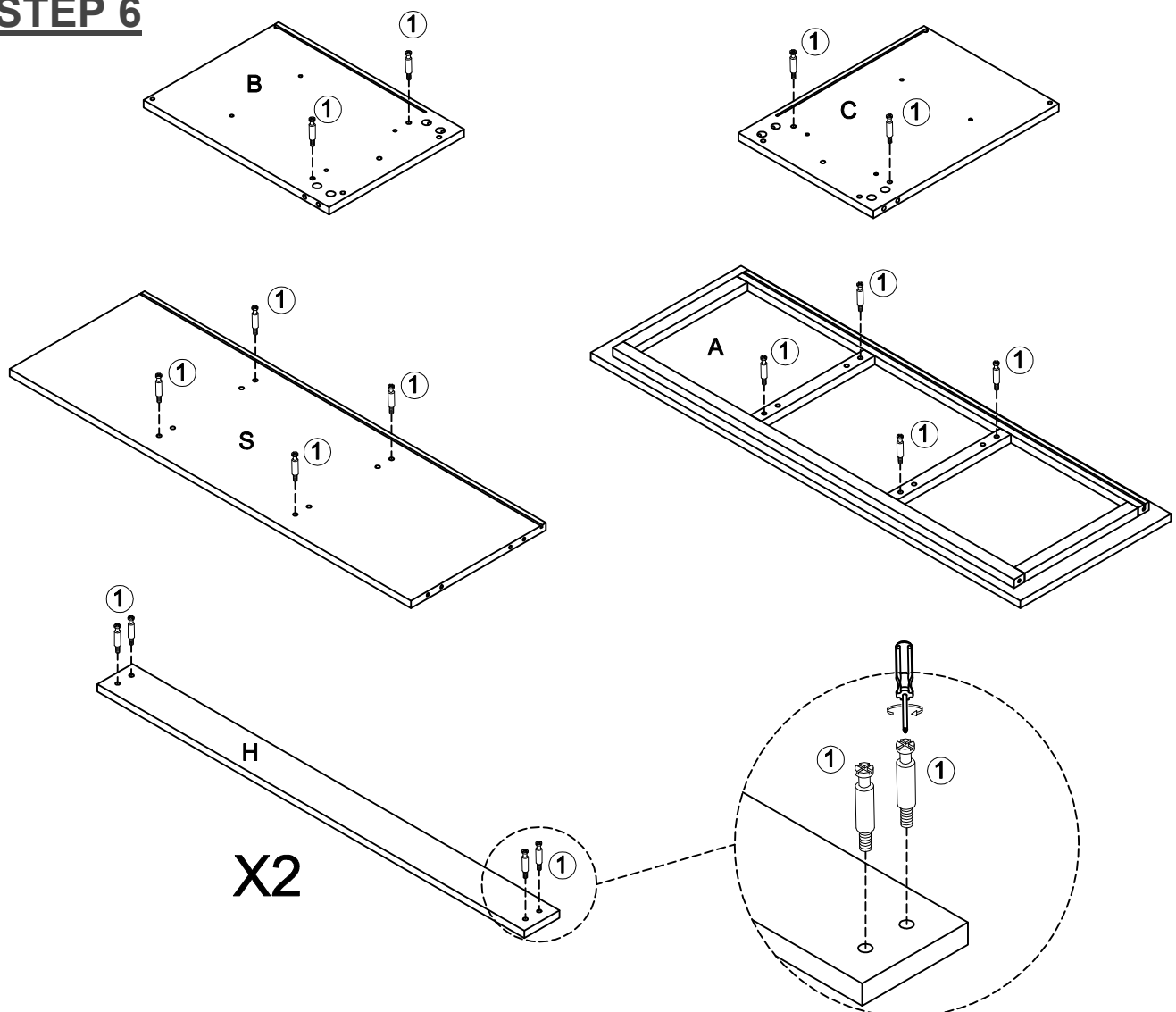


ASSEMBLY INSTRUCTIONS

STEP 5

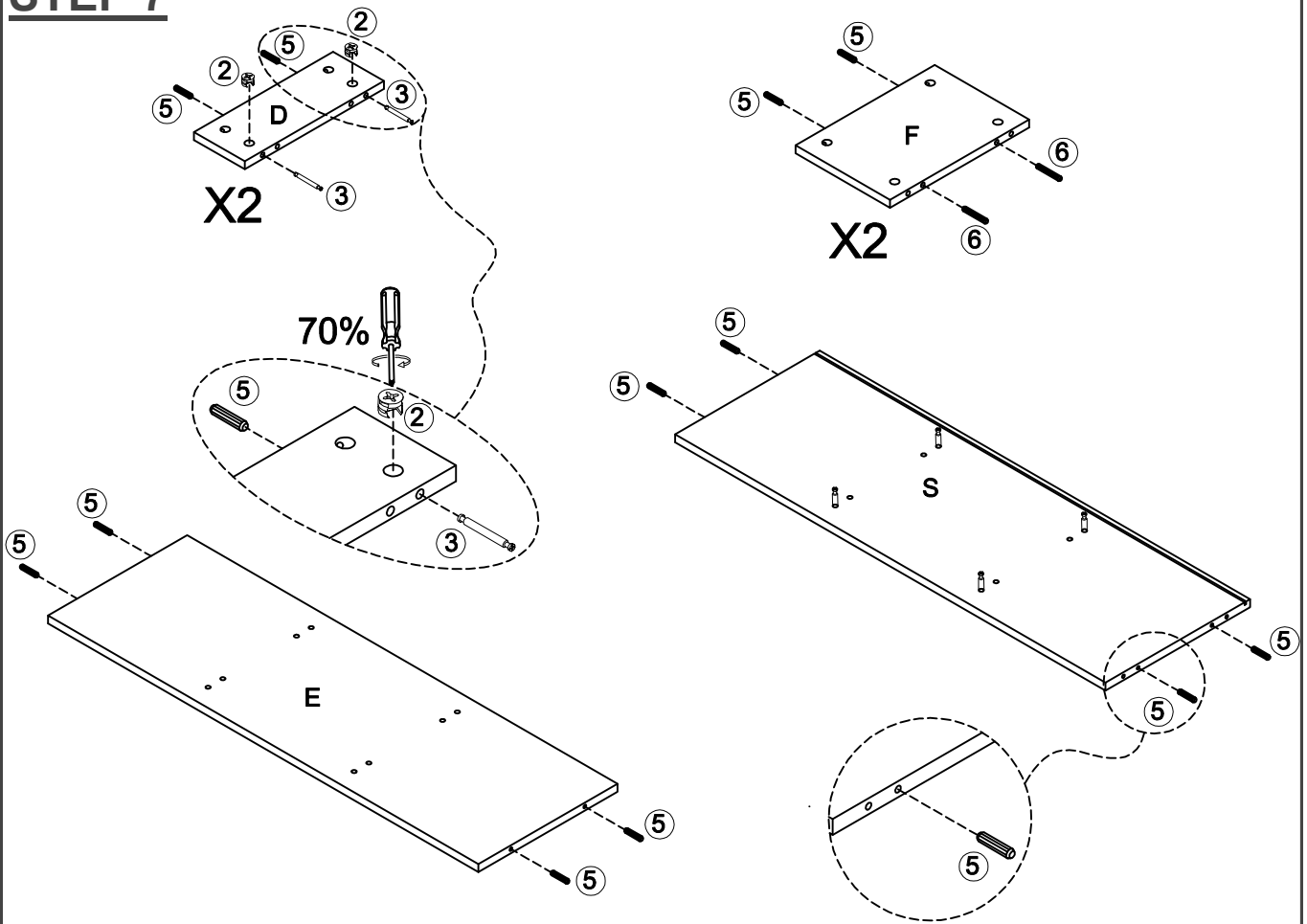


STEP 6

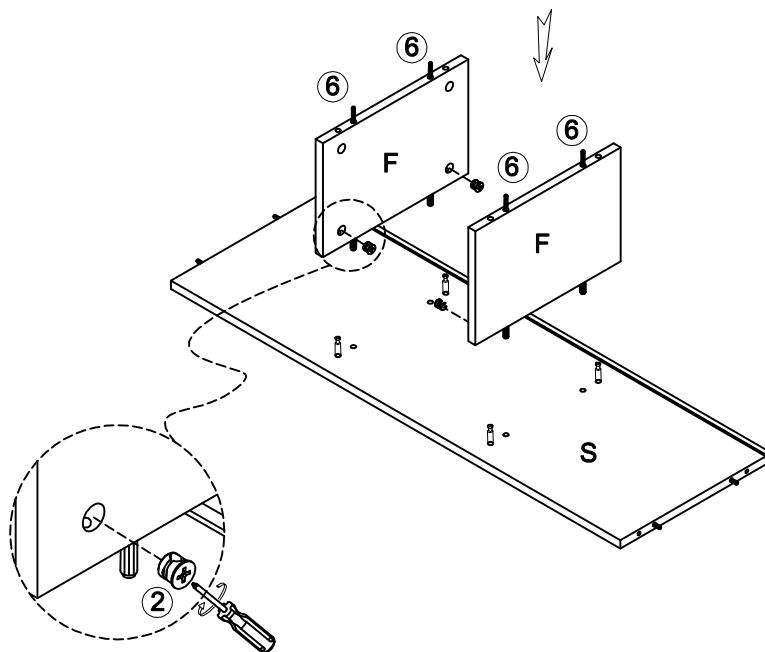


ASSEMBLY INSTRUCTIONS

STEP 7

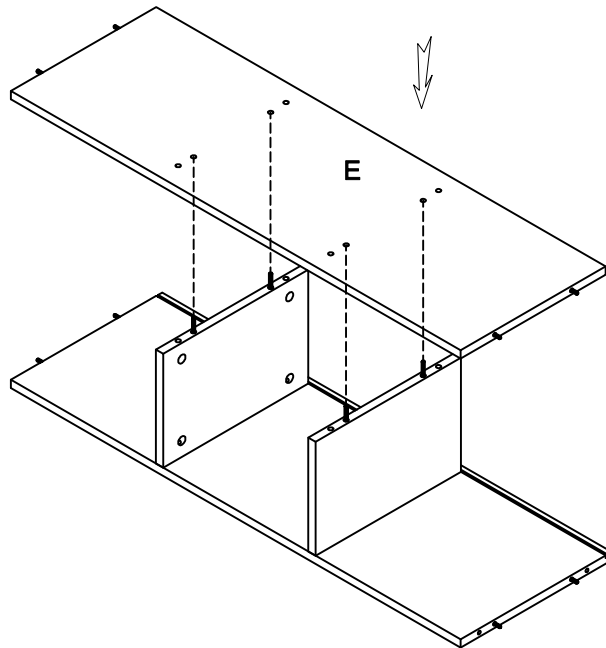


STEP 8

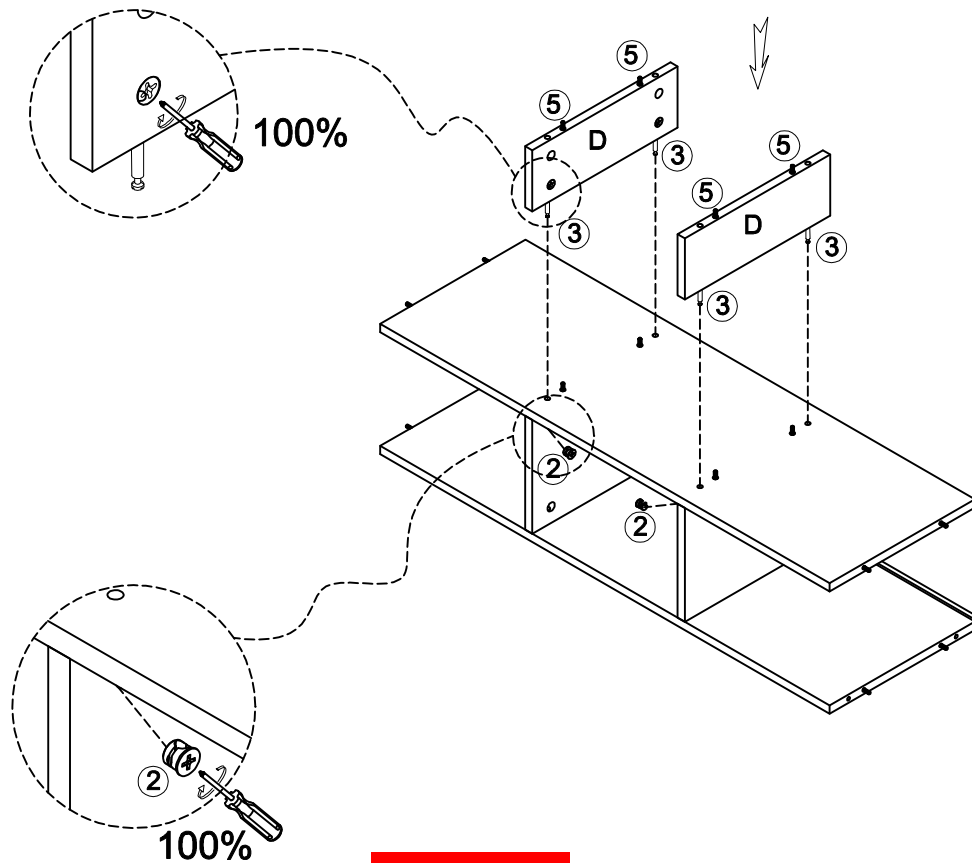


ASSEMBLY INSTRUCTIONS

STEP 9

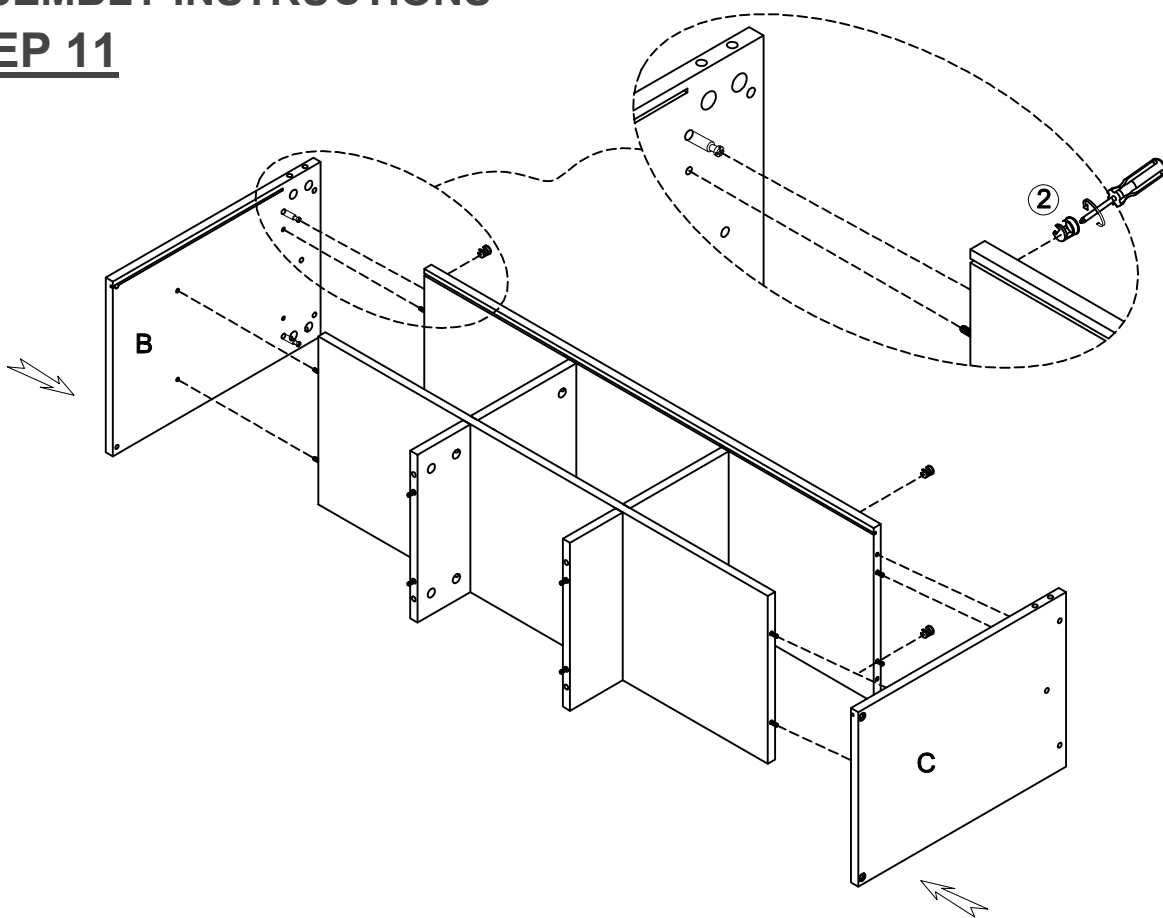


STEP 10

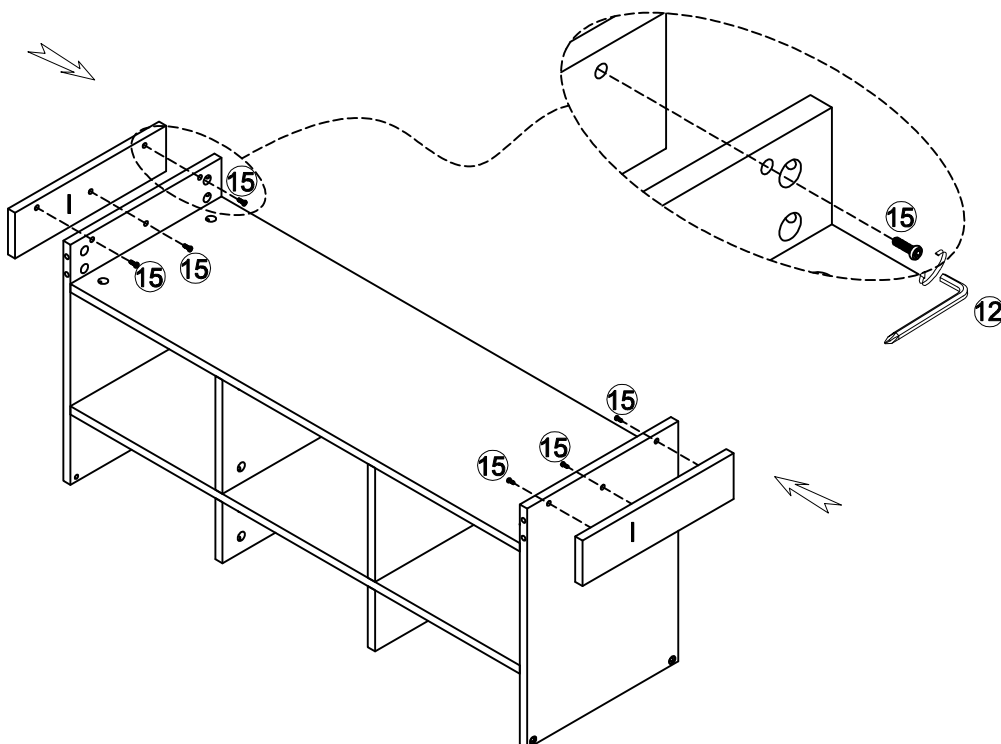


ASSEMBLY INSTRUCTIONS

STEP 11

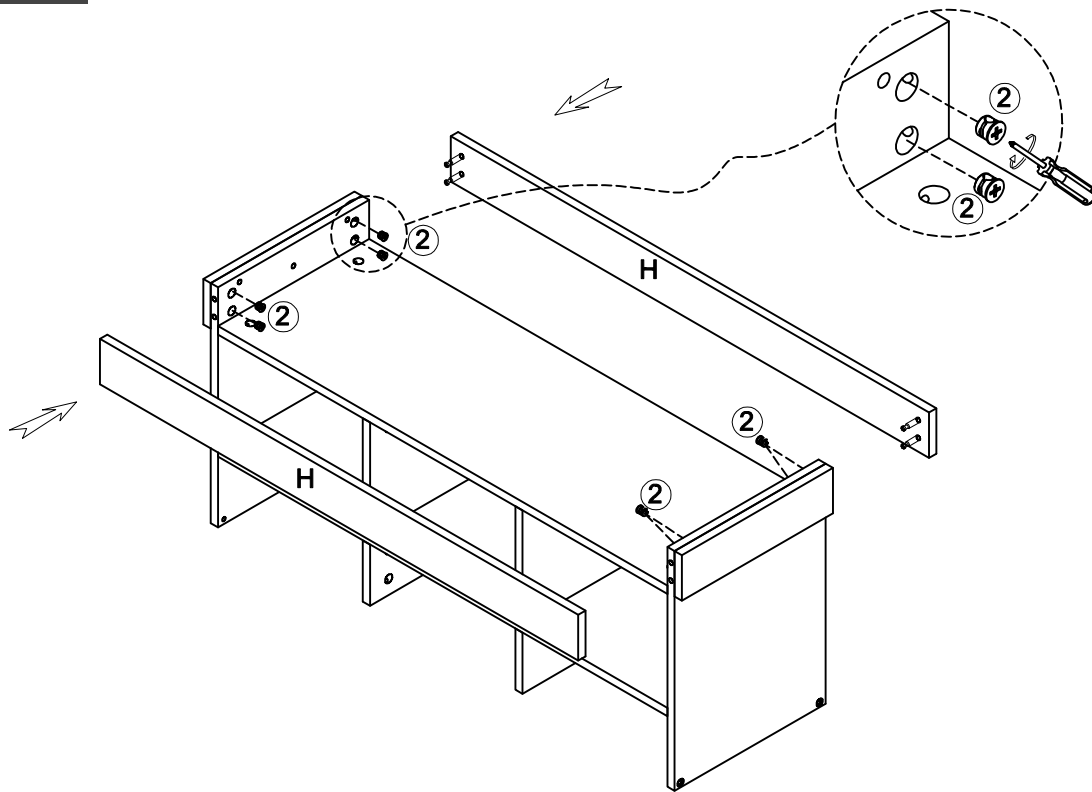


STEP 12

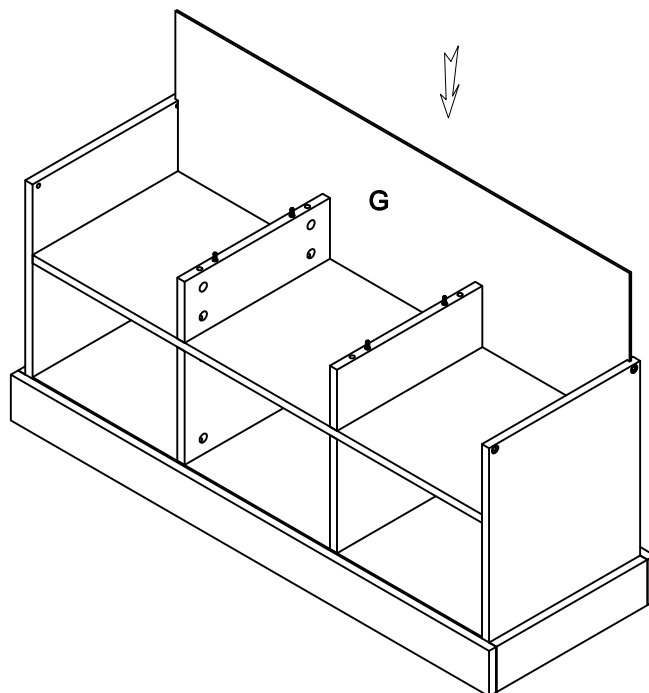


ASSEMBLY INSTRUCTIONS

STEP 13

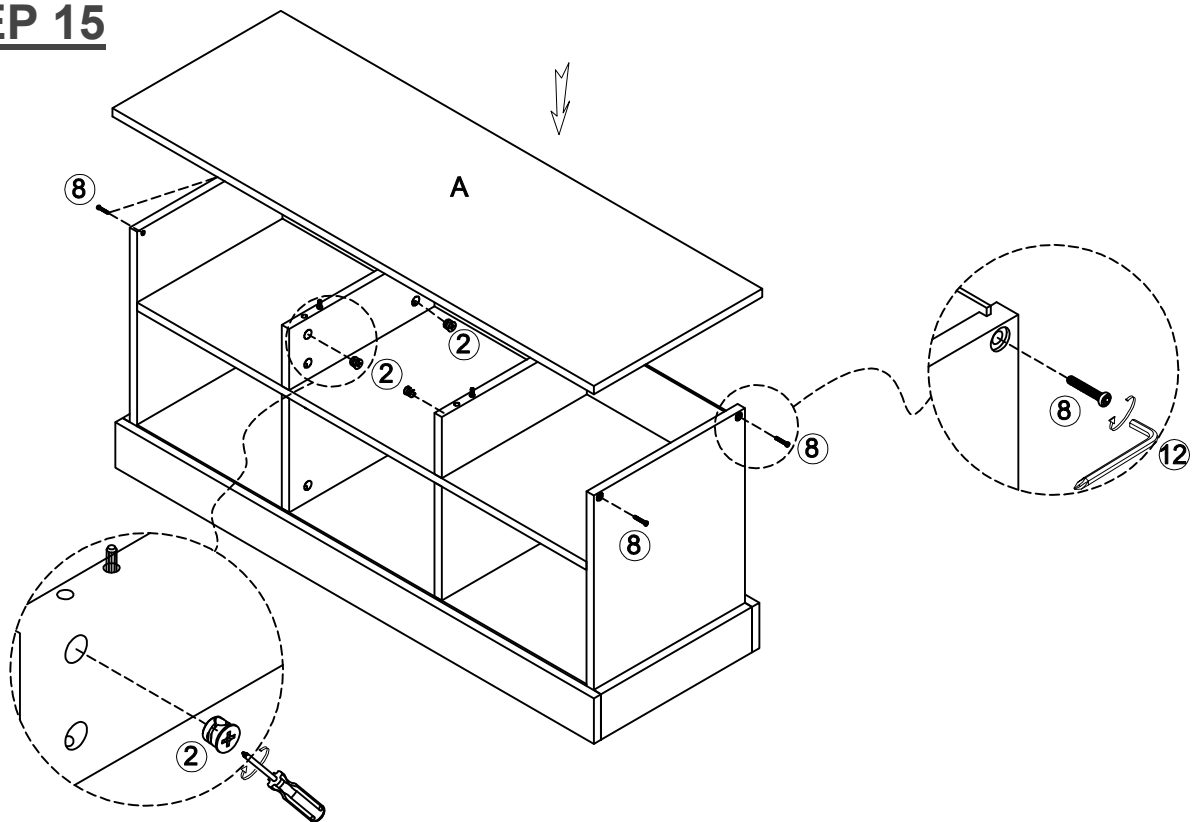


STEP 14

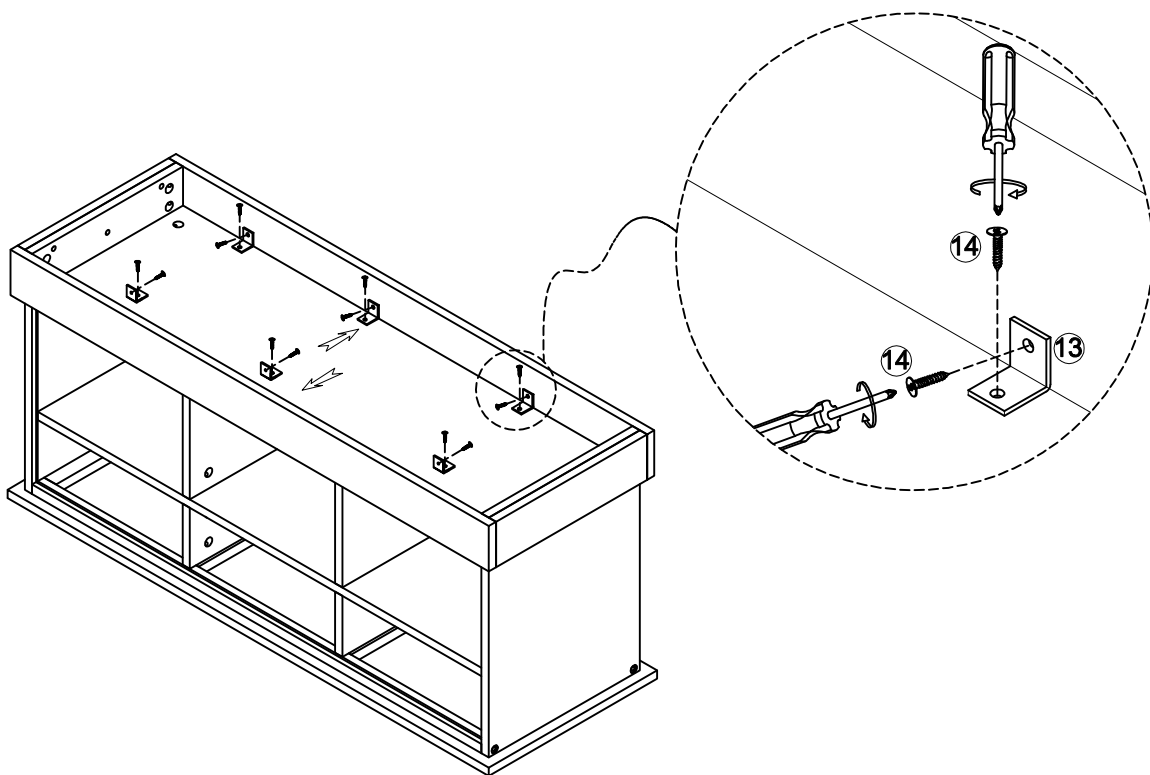


ASSEMBLY INSTRUCTIONS

STEP 15

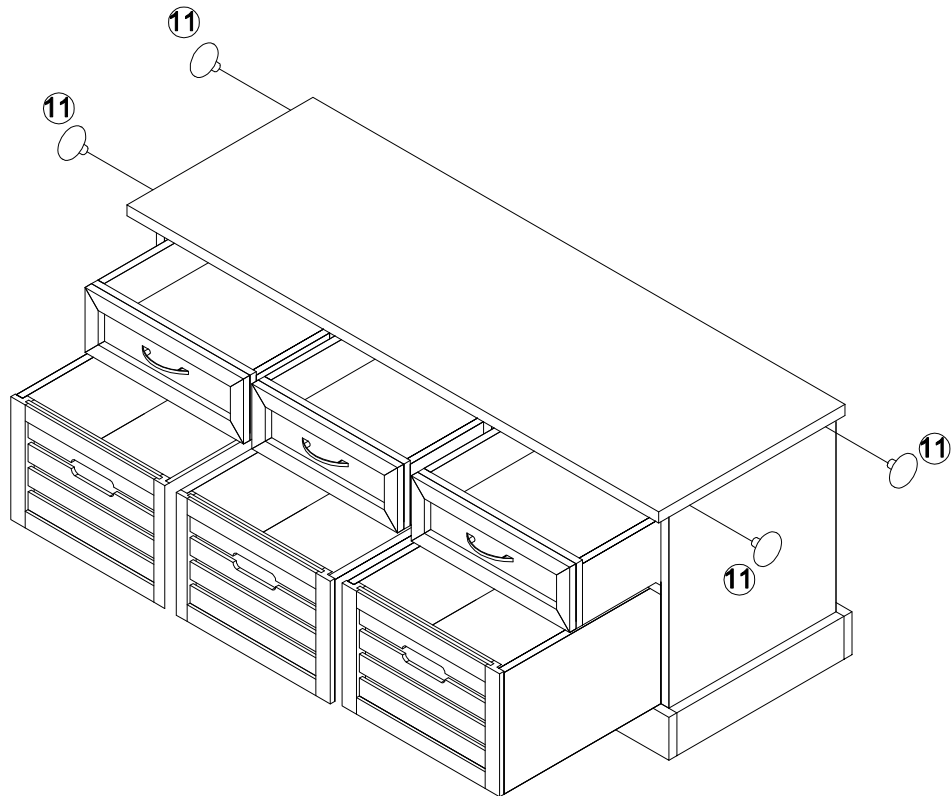


STEP 16

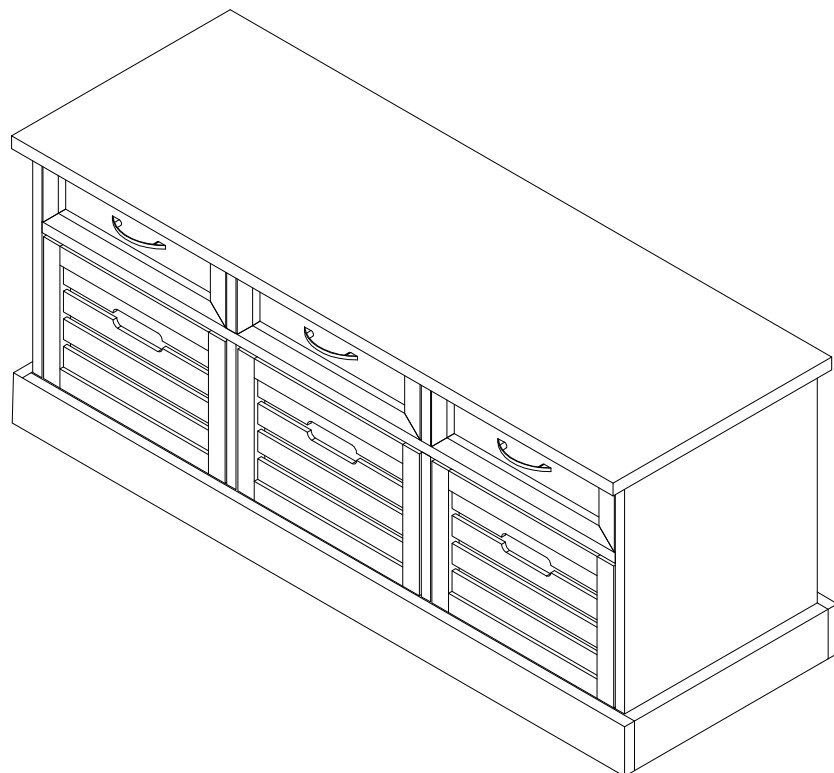


ASSEMBLY INSTRUCTIONS

STEP 17

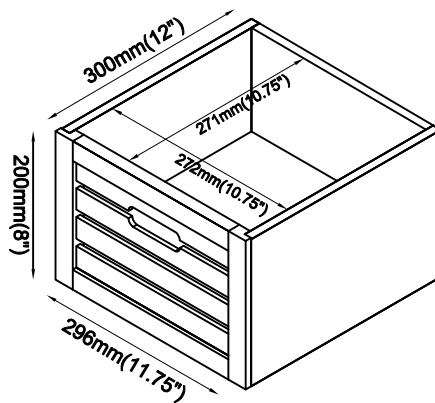
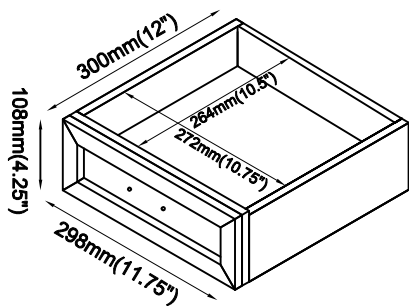
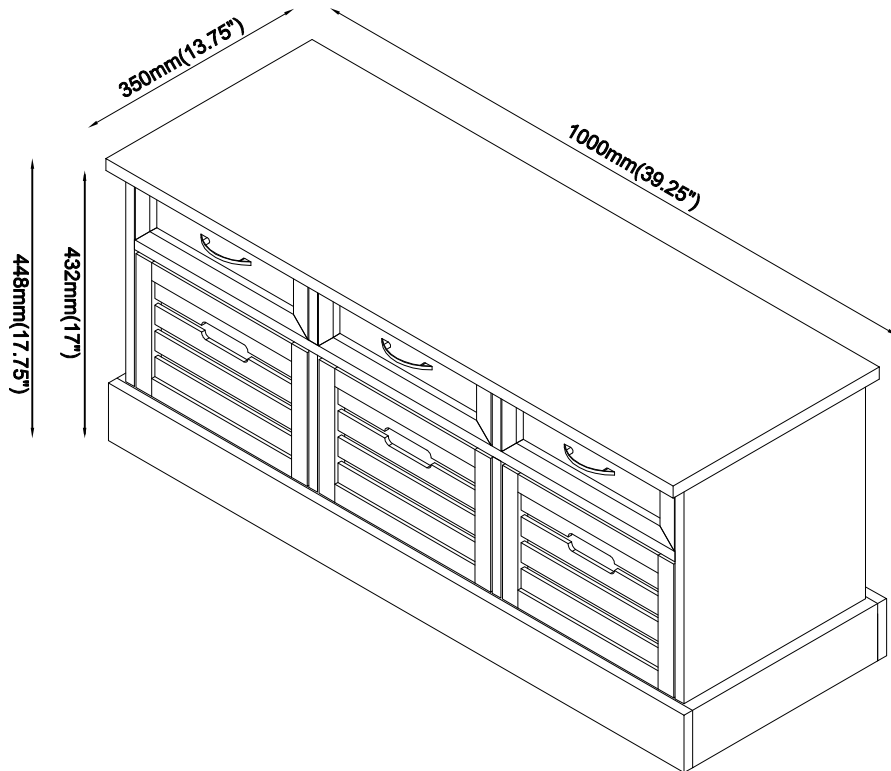


STEP 18



ASSEMBLY INSTRUCTIONS

STEP 19



Note: Dimension tolerance $\pm 5\%$