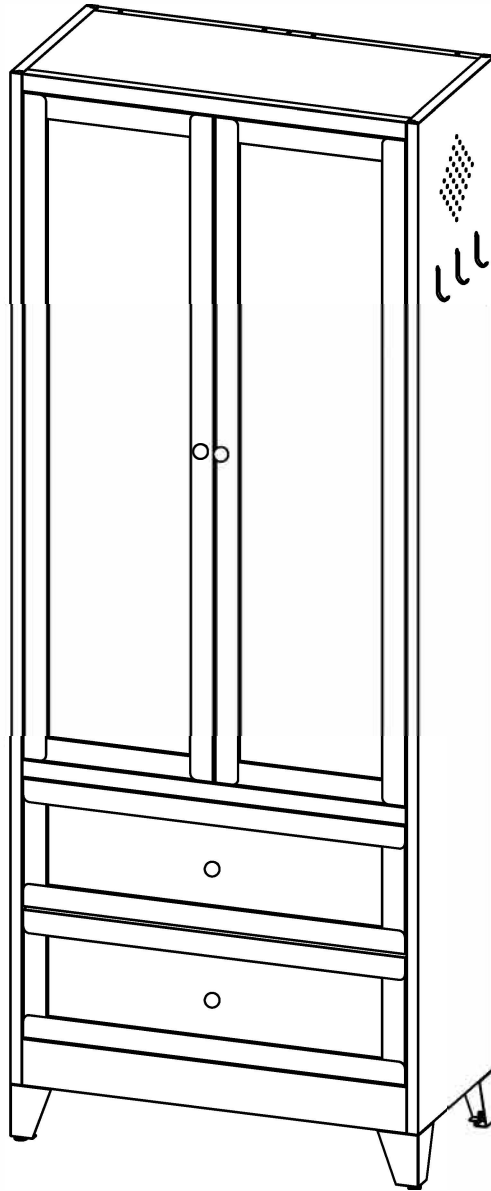
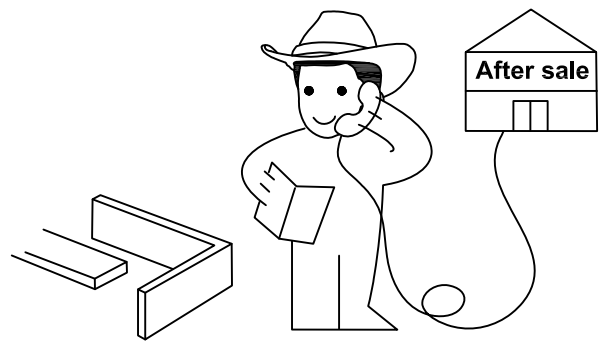
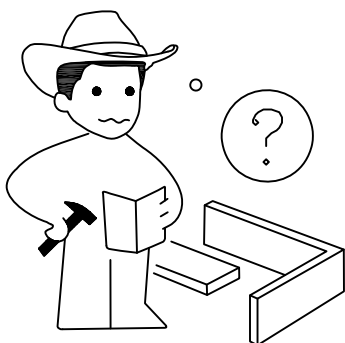
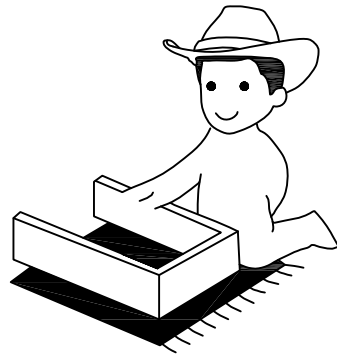
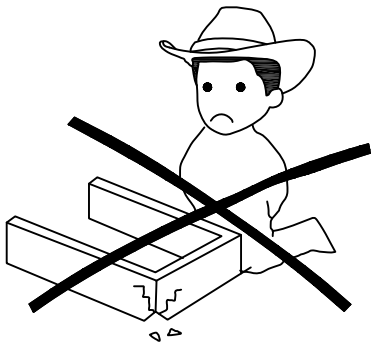
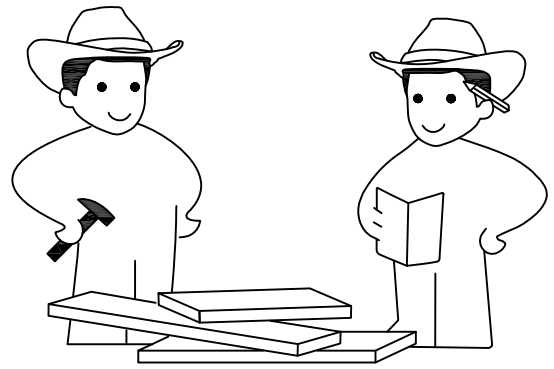
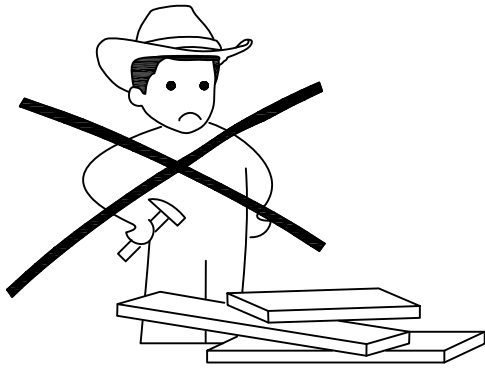
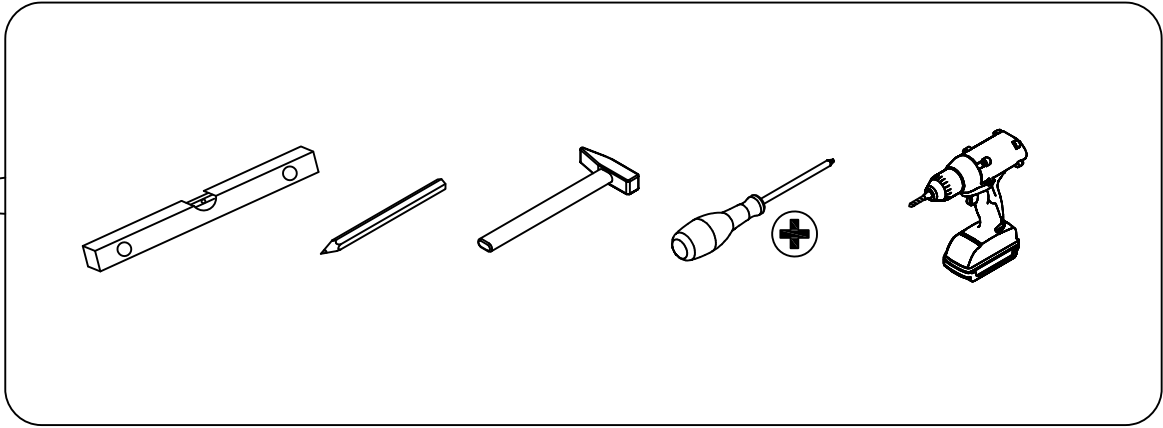
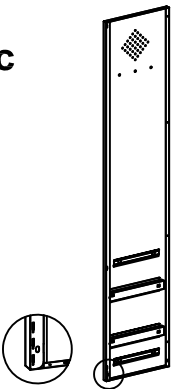
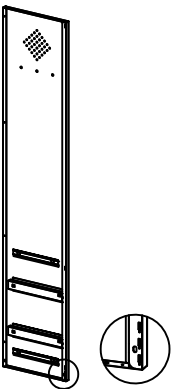
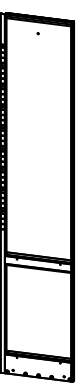
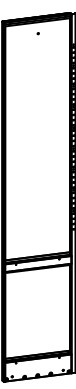
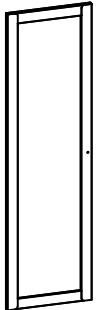
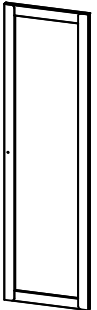
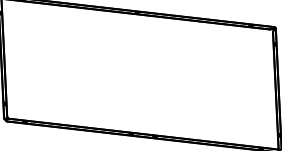
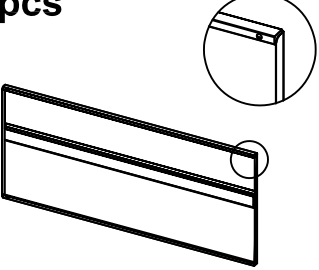
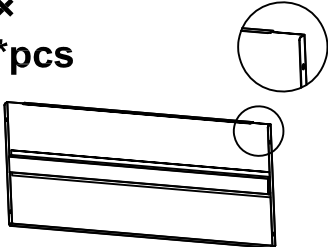


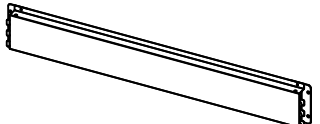
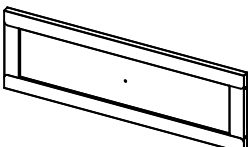


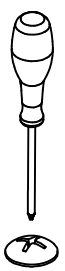


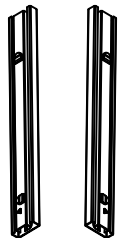

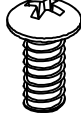
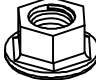

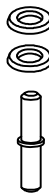
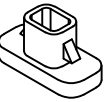

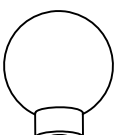





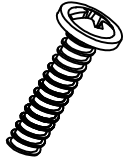
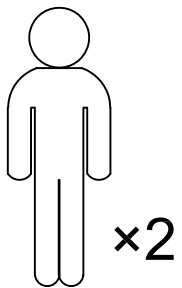
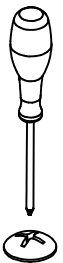
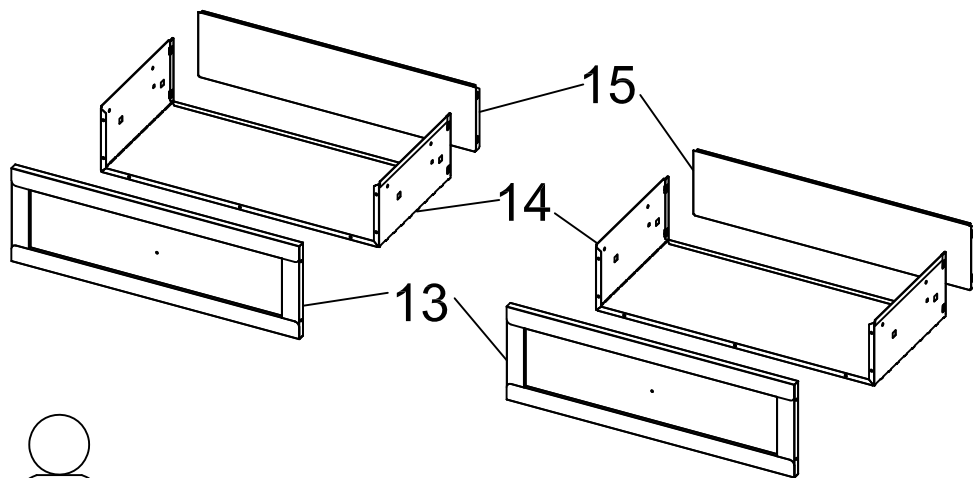
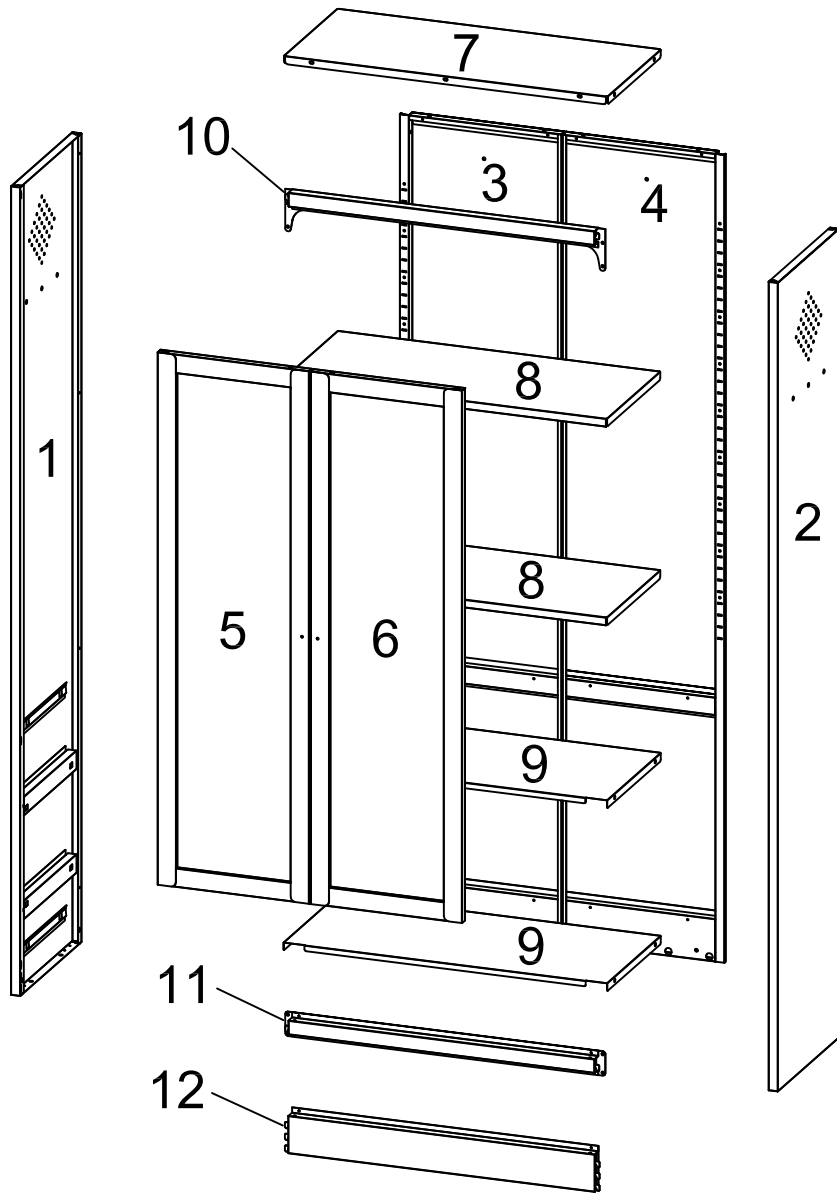


Installation & Assembly



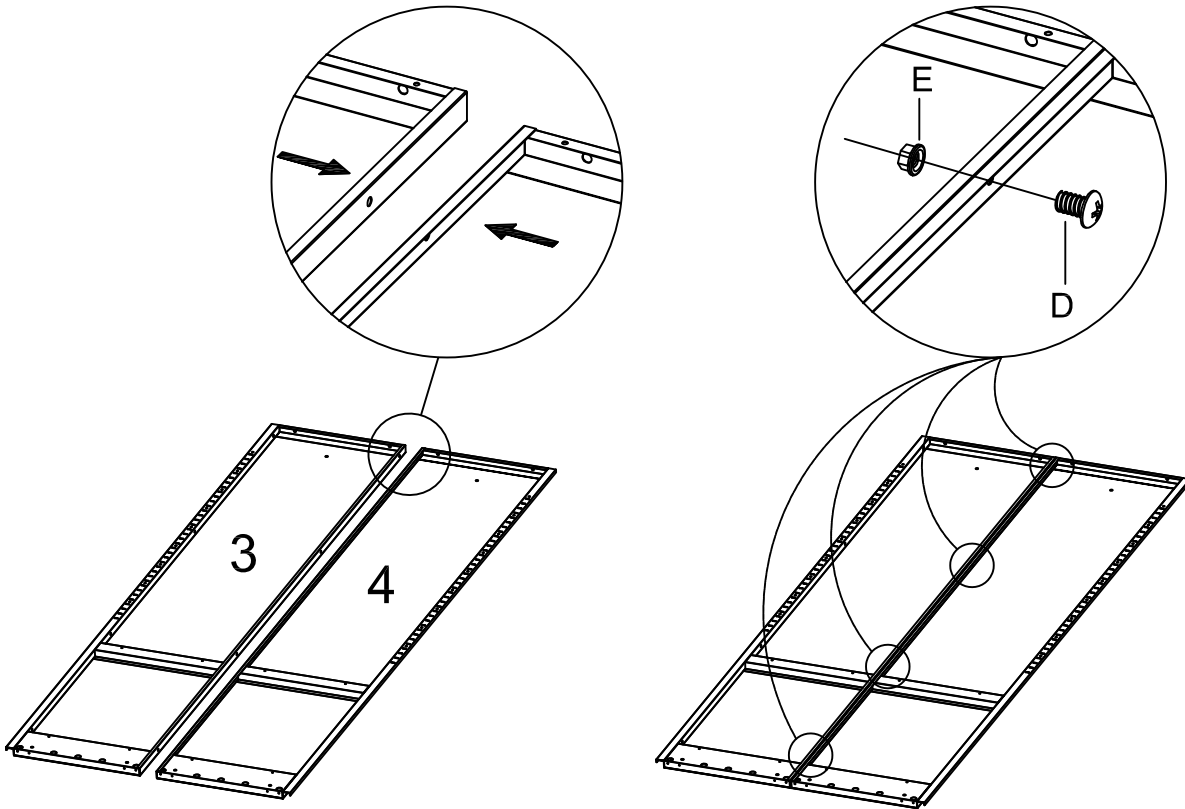


1x 1*pc 		2x 1*pc 		3x 1*pc 		4x 1*pc 	
5x 1*pc 		6x 1*pc 		7x 1*pc 		8x 2*pcs 	
9x 2*pcs 		10x 1*pc 		11x 1*pc 		12x 1*pc 	
13x 2*pcs 		14x 2*pcs 		15x 2*pcs 		 	
Ax4*pcs 	Bx2*pcs 	Cx65*pcs 	Dx4*pcs 	Ex4*pcs 	Fx8*pcs 	Gx2*pcs 	Hx4*pcs 
Ix2*pcs 	Jx4*pcs 	kx2*pcs 	Lx1*pc Standby Application 	Mx6*pcs 	Nx4*pcs 	Ox4*pcs 	Px2*pcs 



1

Put the two rear walls together and put three bolts and nuts to hold them in place.



D×4

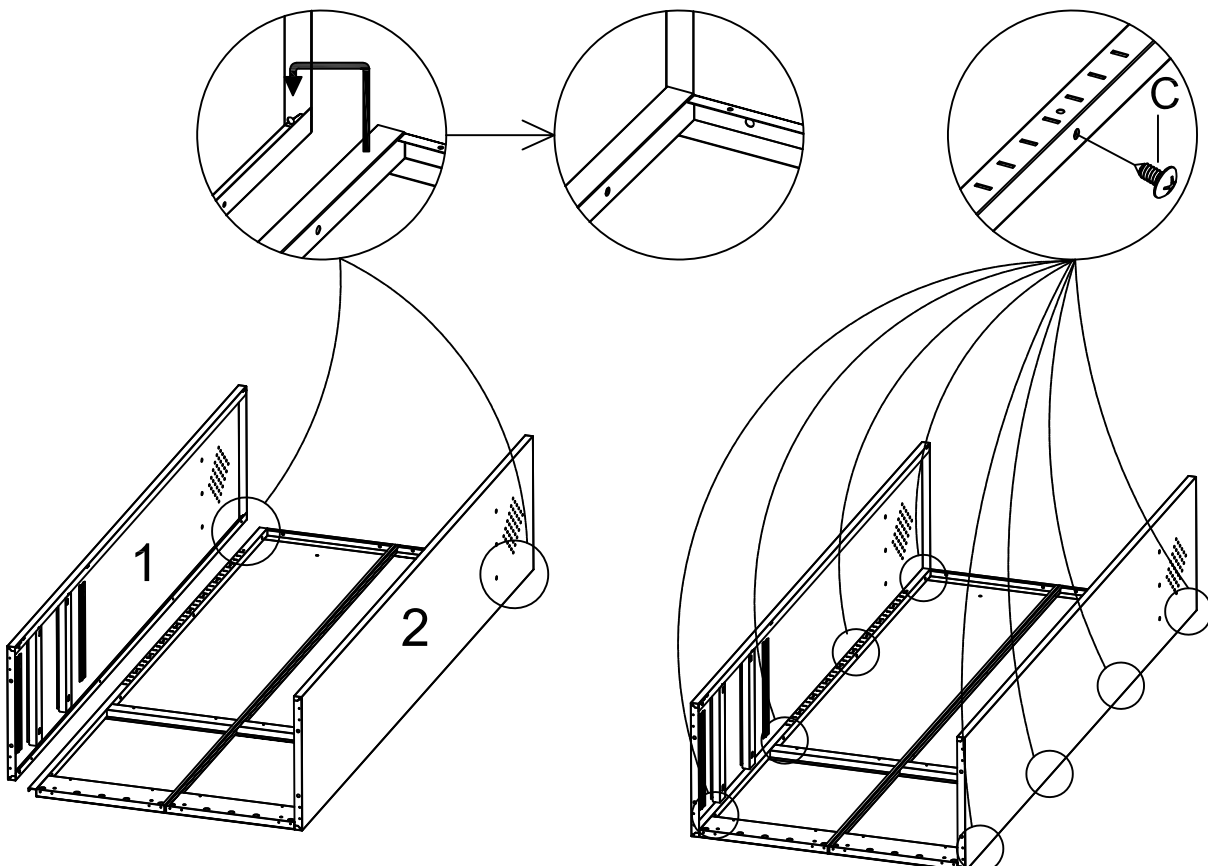


E×4



2

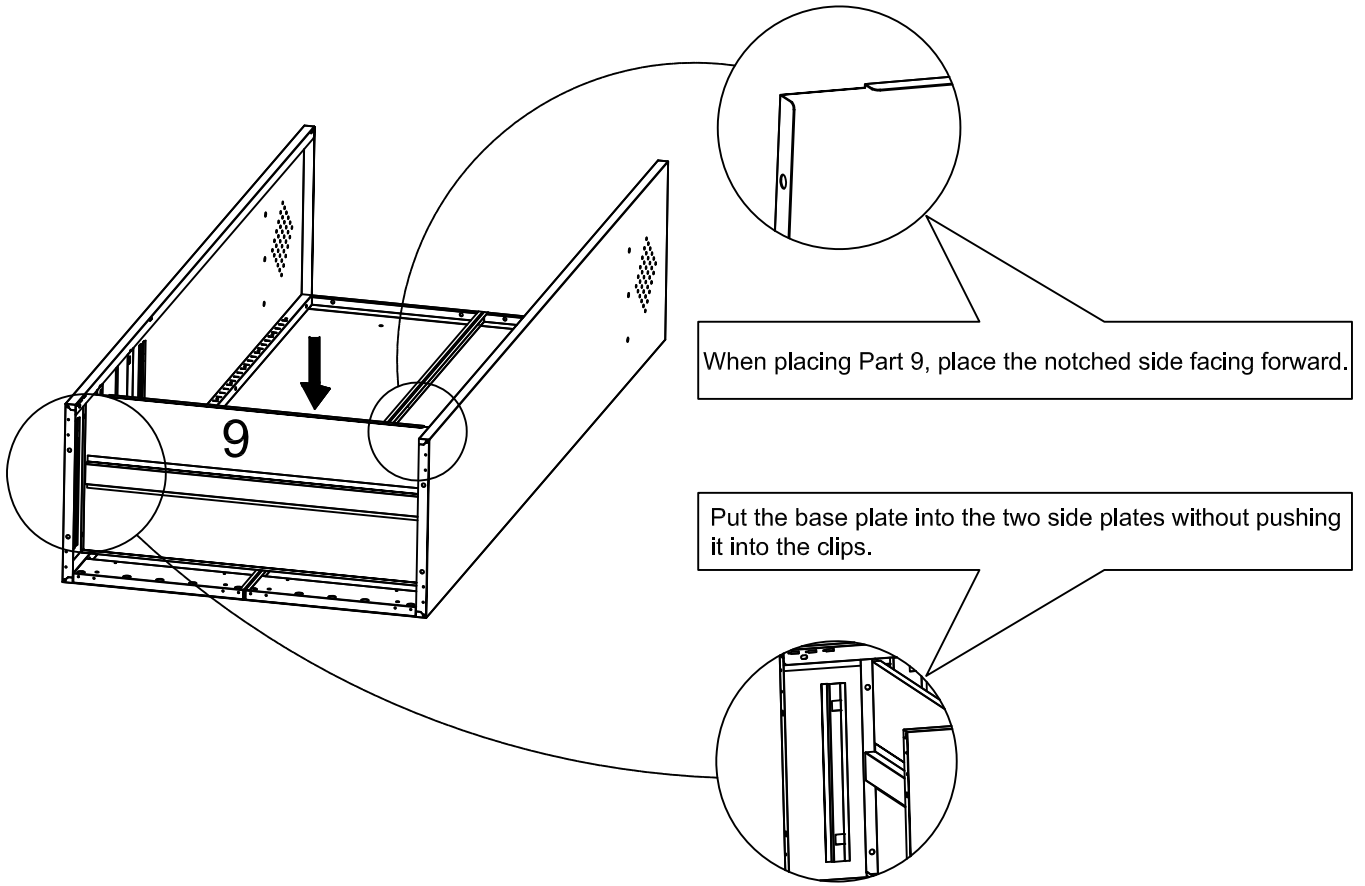
Simply overlap each sidewall in the channel of the rear wall and put three screws on each side to hold them in place.



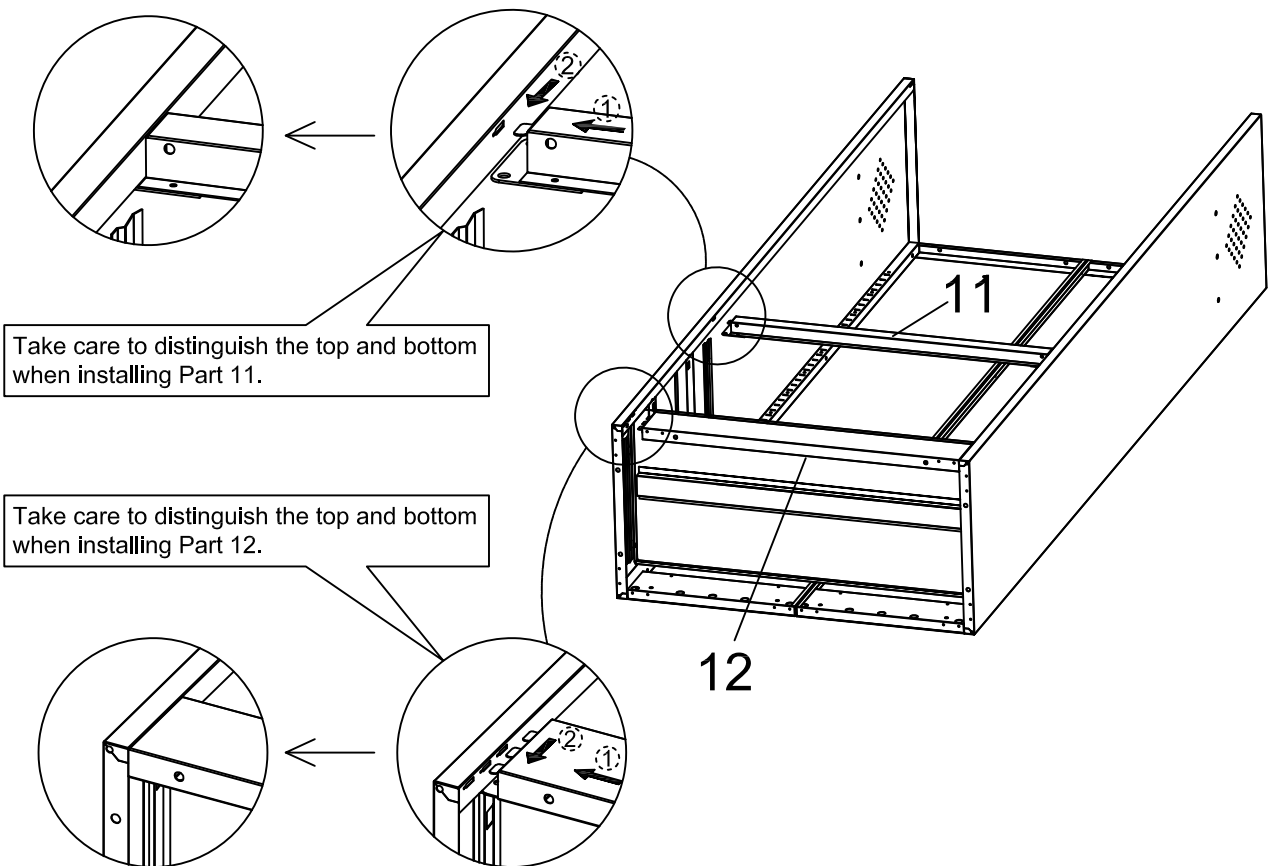
C×8



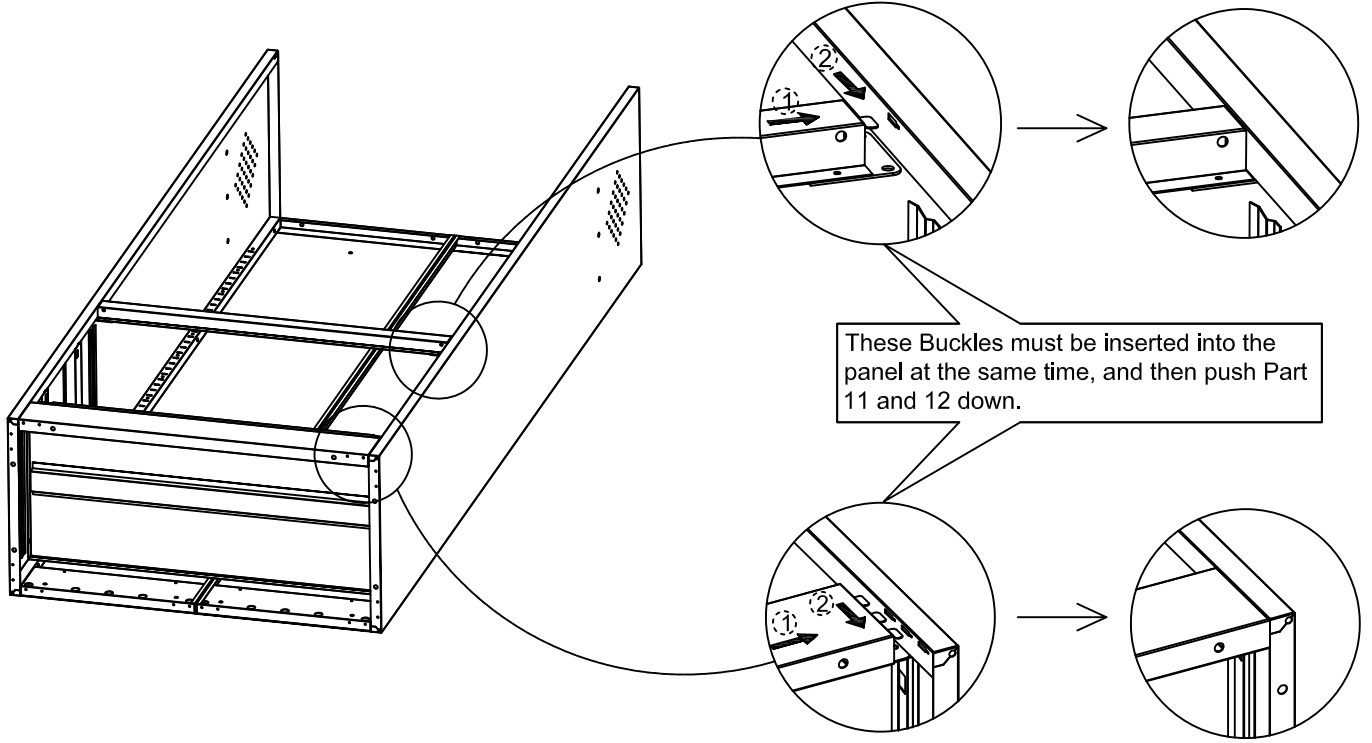
3



4

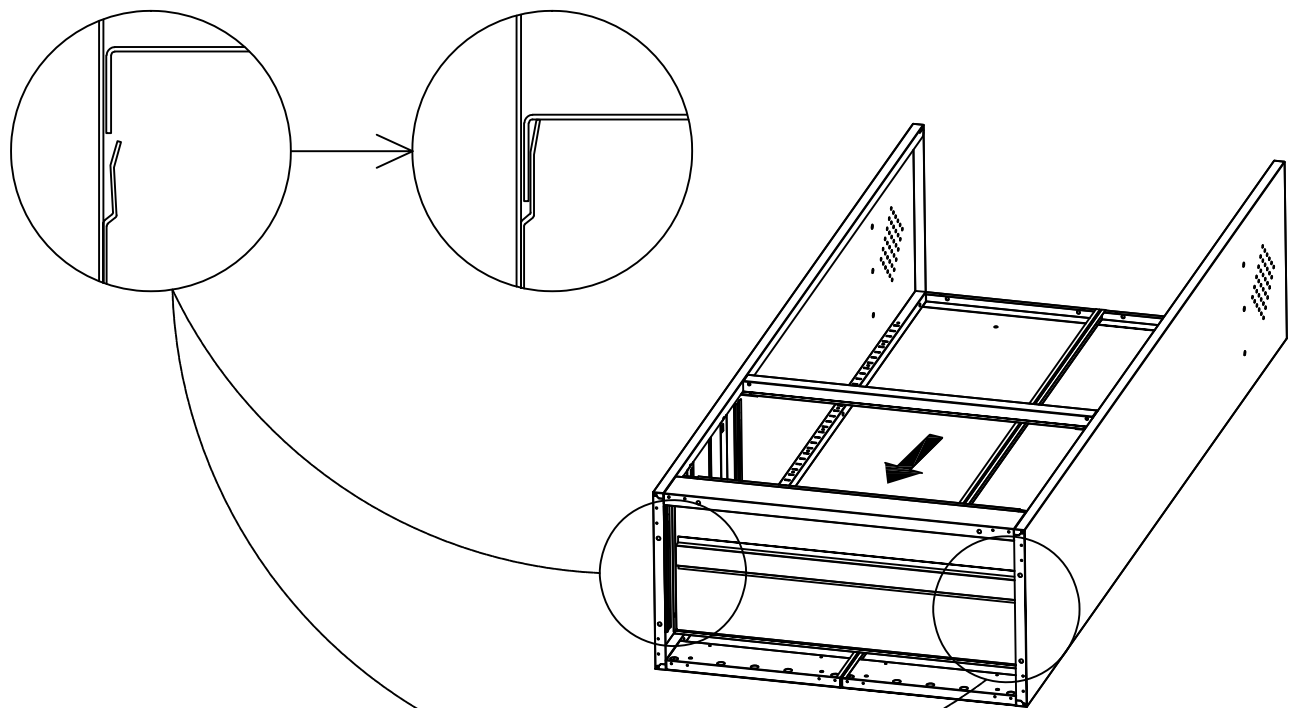


5

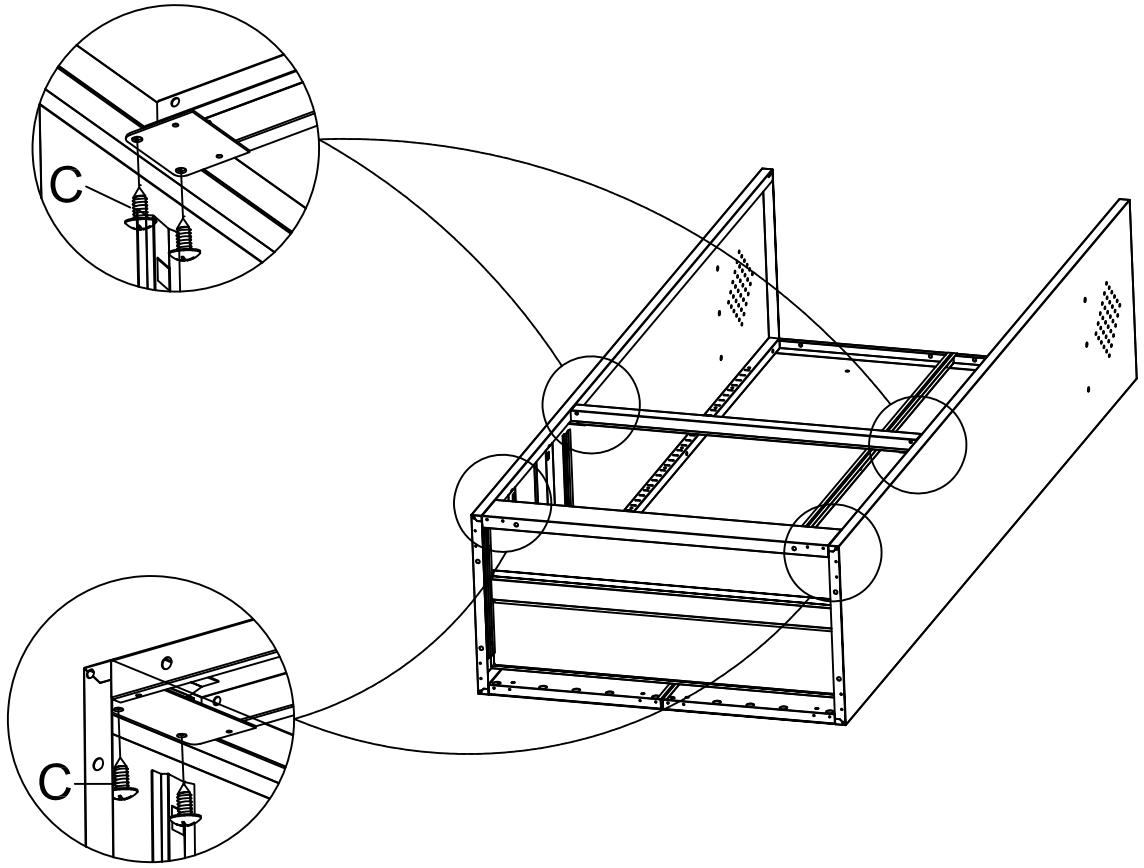



6

Push the base plate into the slot.



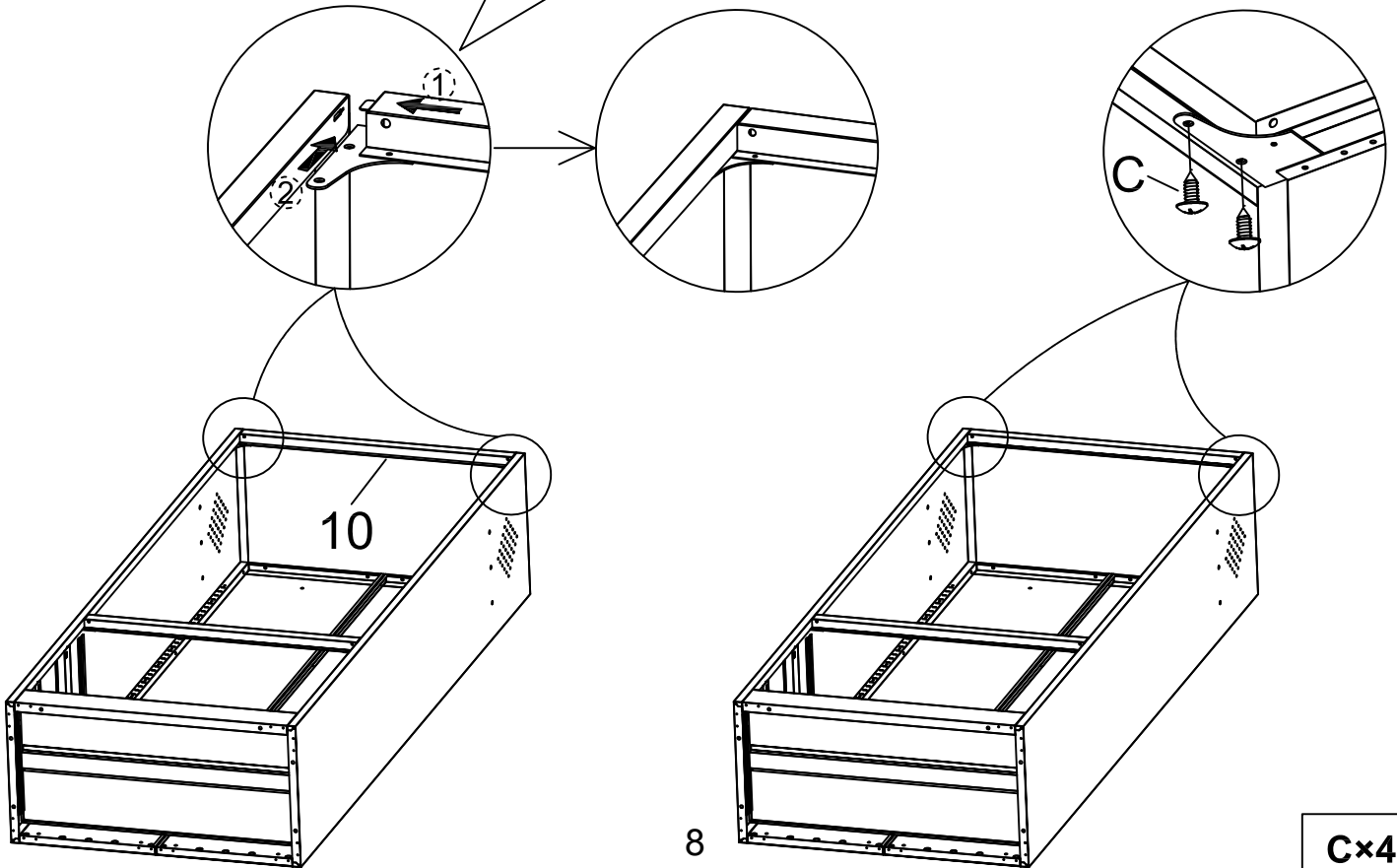
7




Cx8 

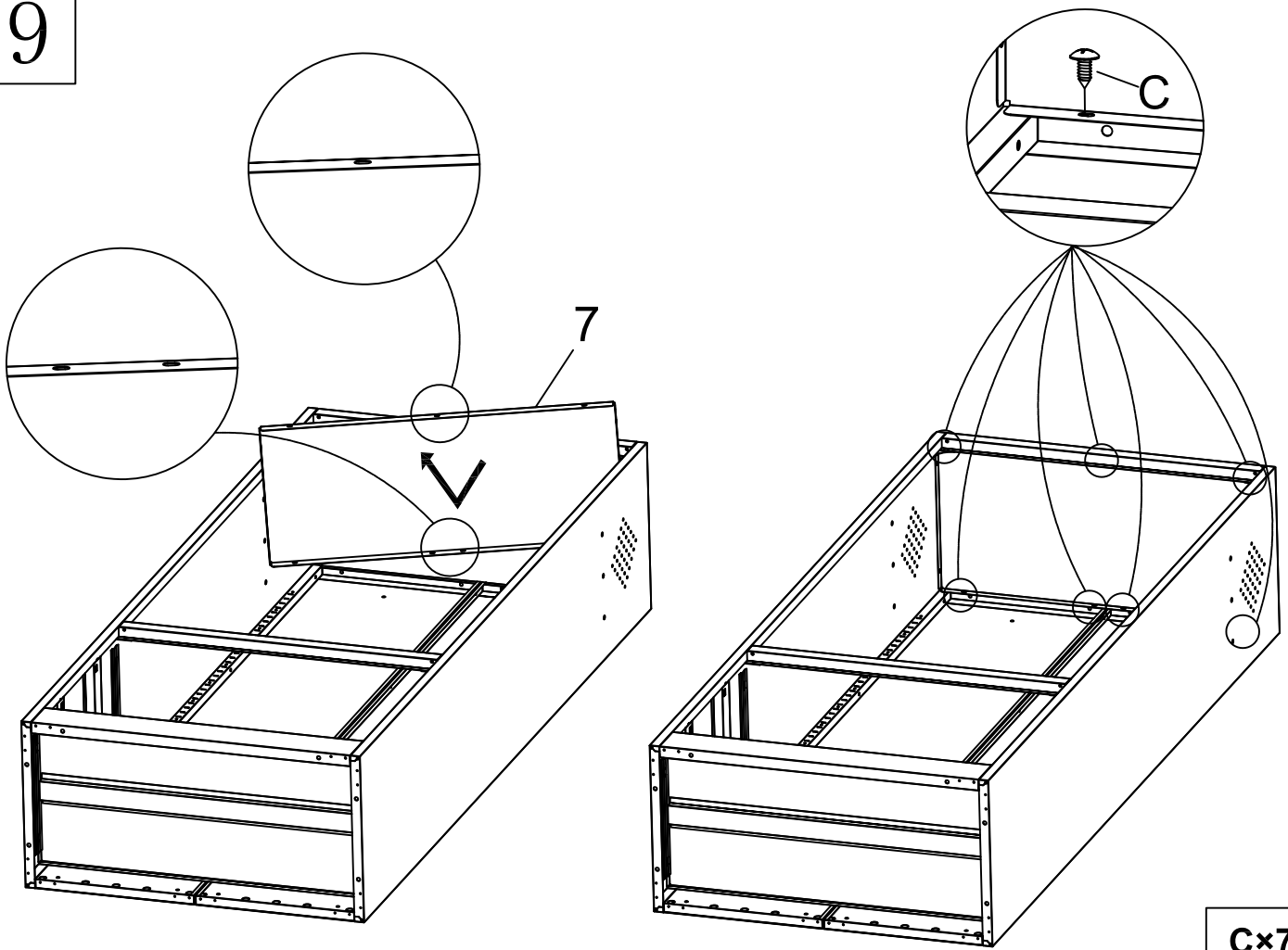
8


Insert the clips on both sides of Part 10 into the holes on the side panels, then push them upwards to fix them at the bottom of the clips.



Cx4 

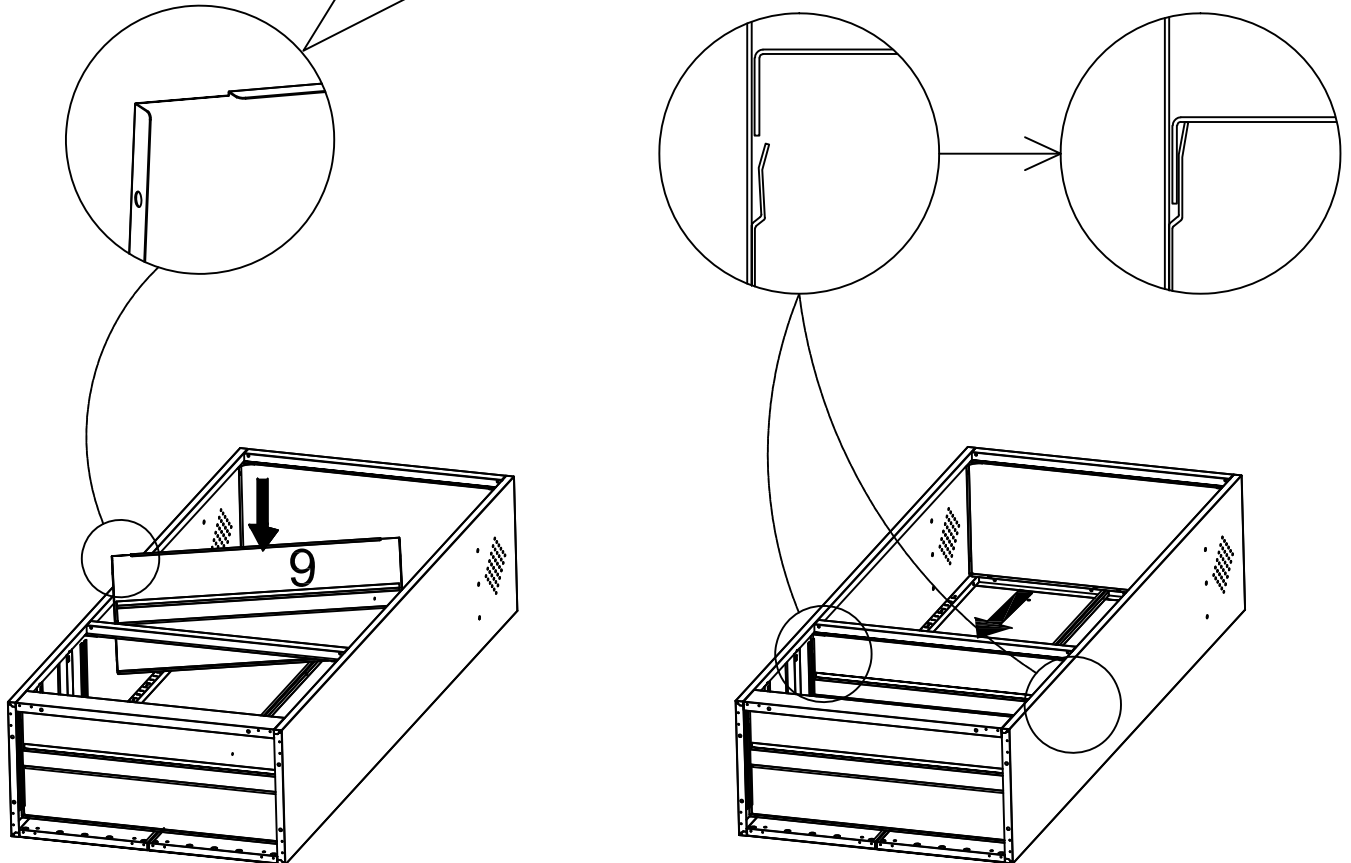
9



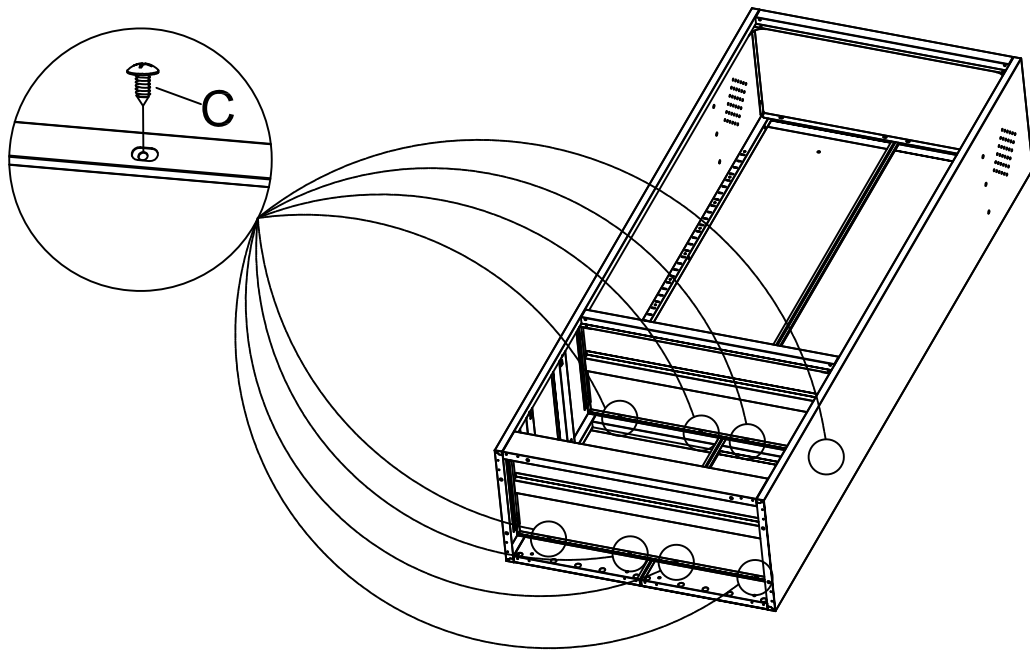
Cx7 


10

When placing Part 9, place the notched side facing forward.

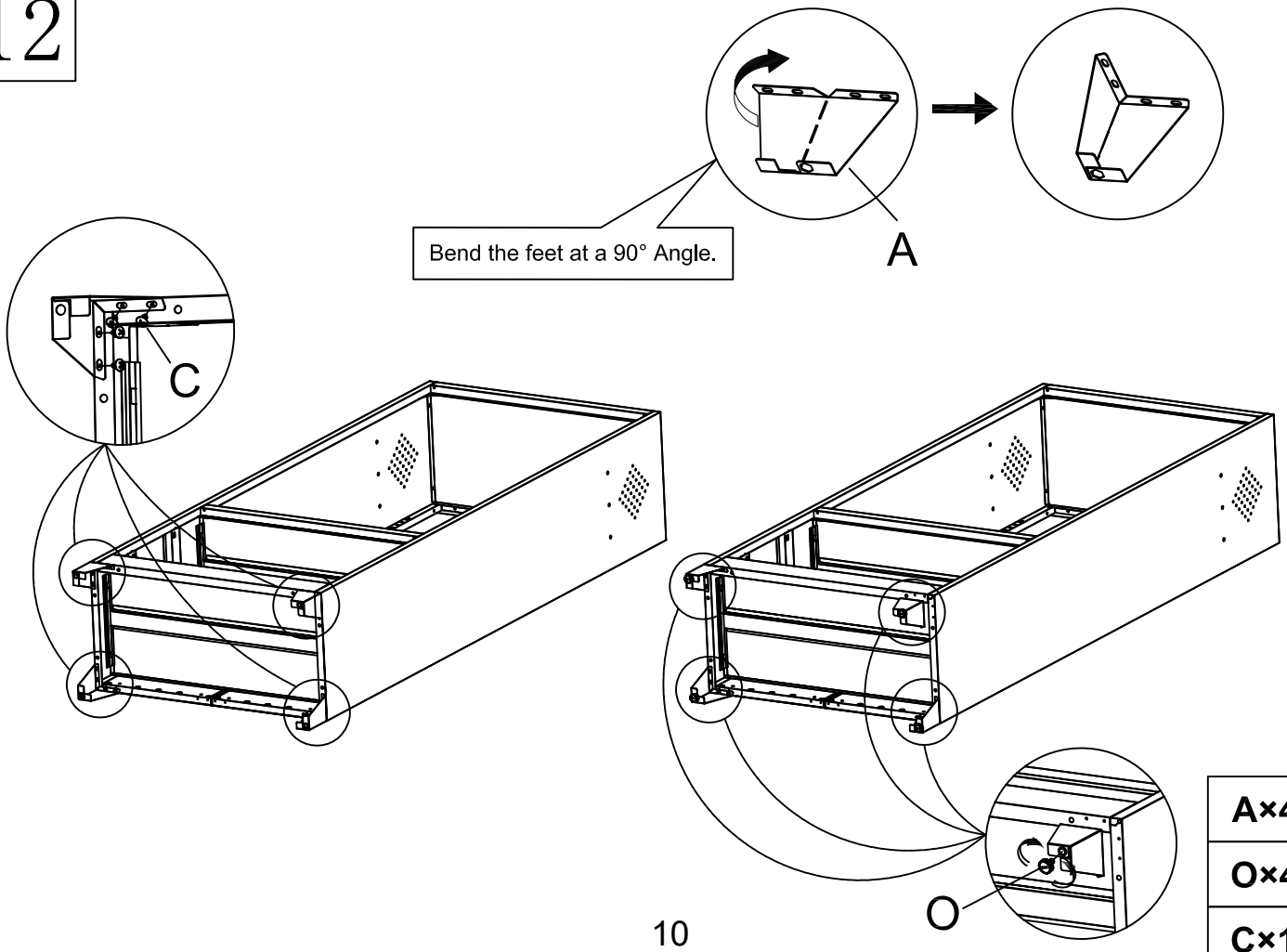





11



C×8 

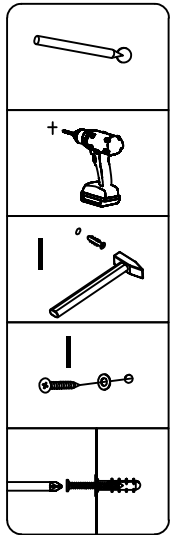
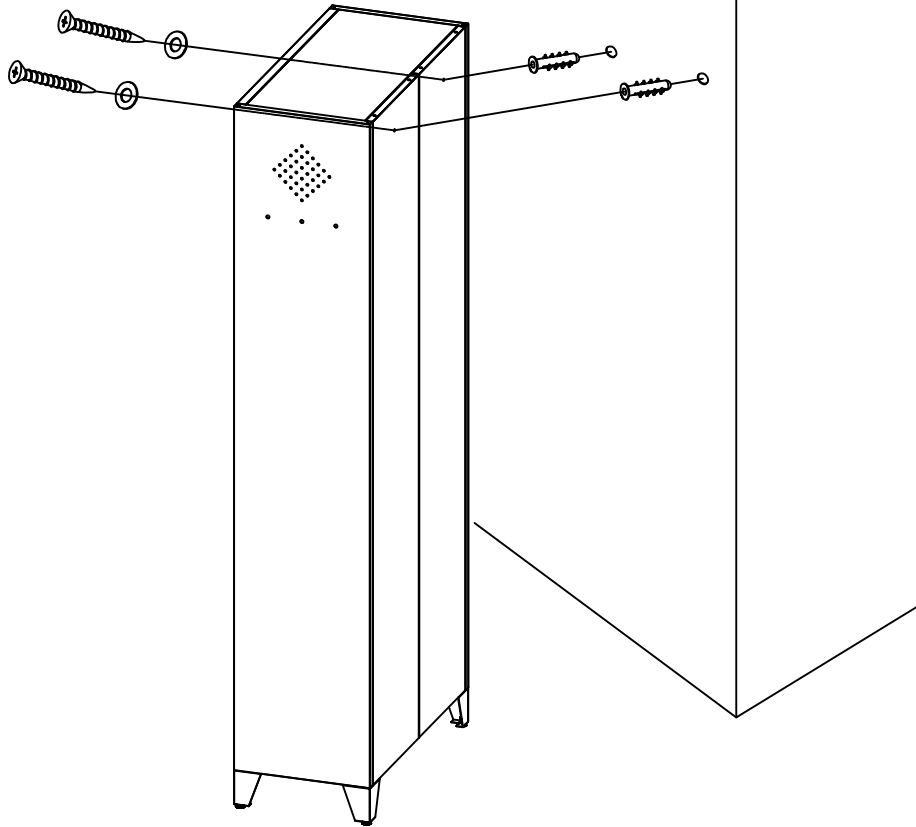
12



A×4 
O×4 
C×16 

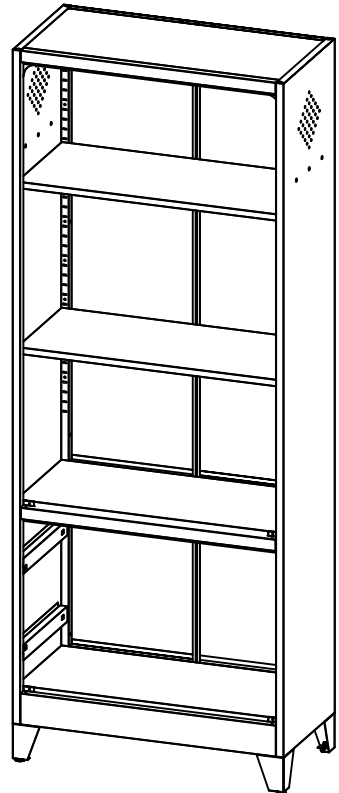
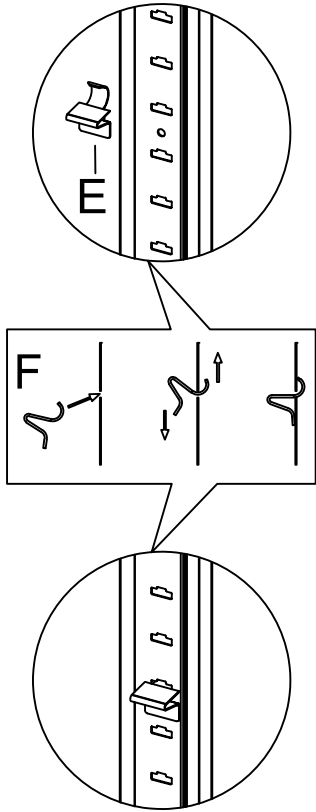
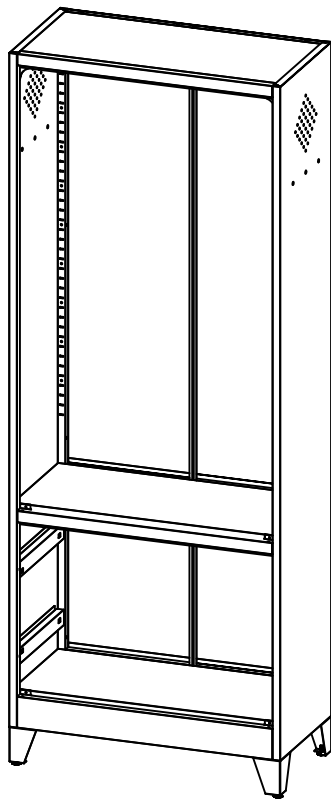
13

The cabinet can be fixed to the wall as needed.




1x2  

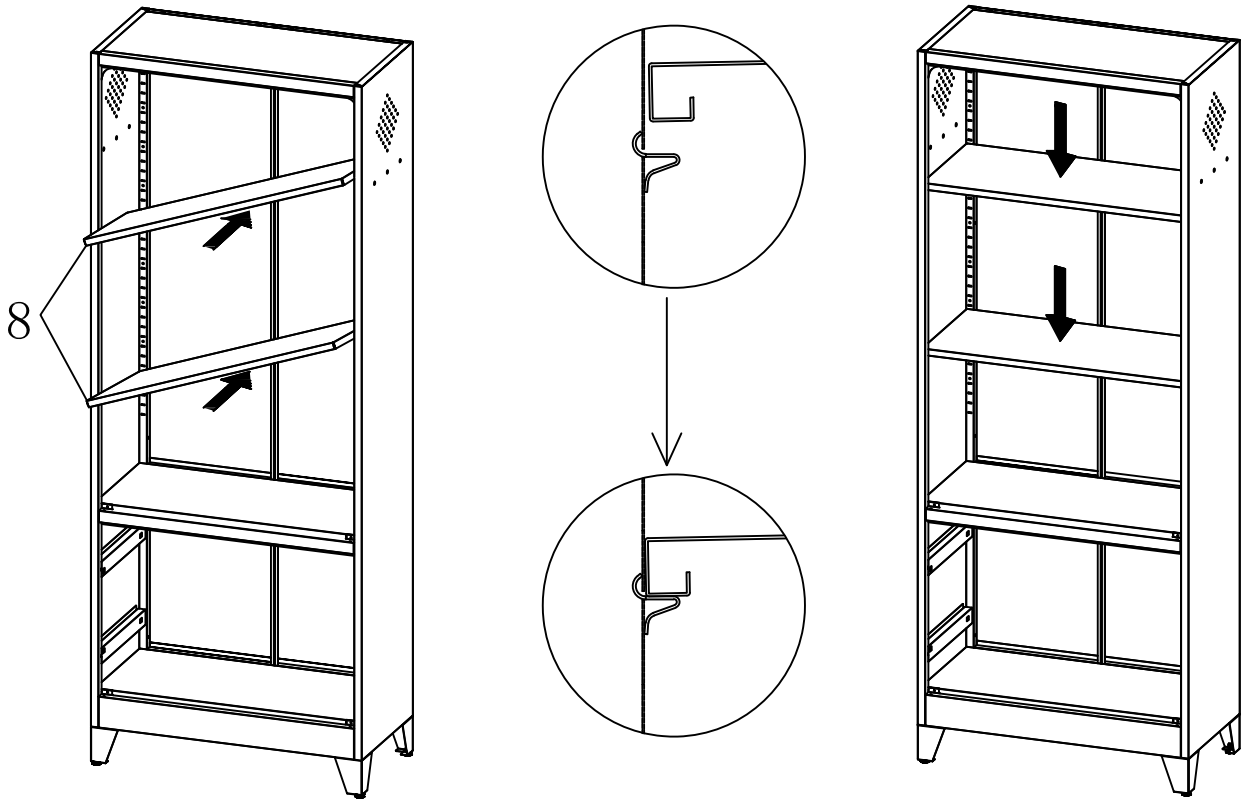
14



11

Fx8 

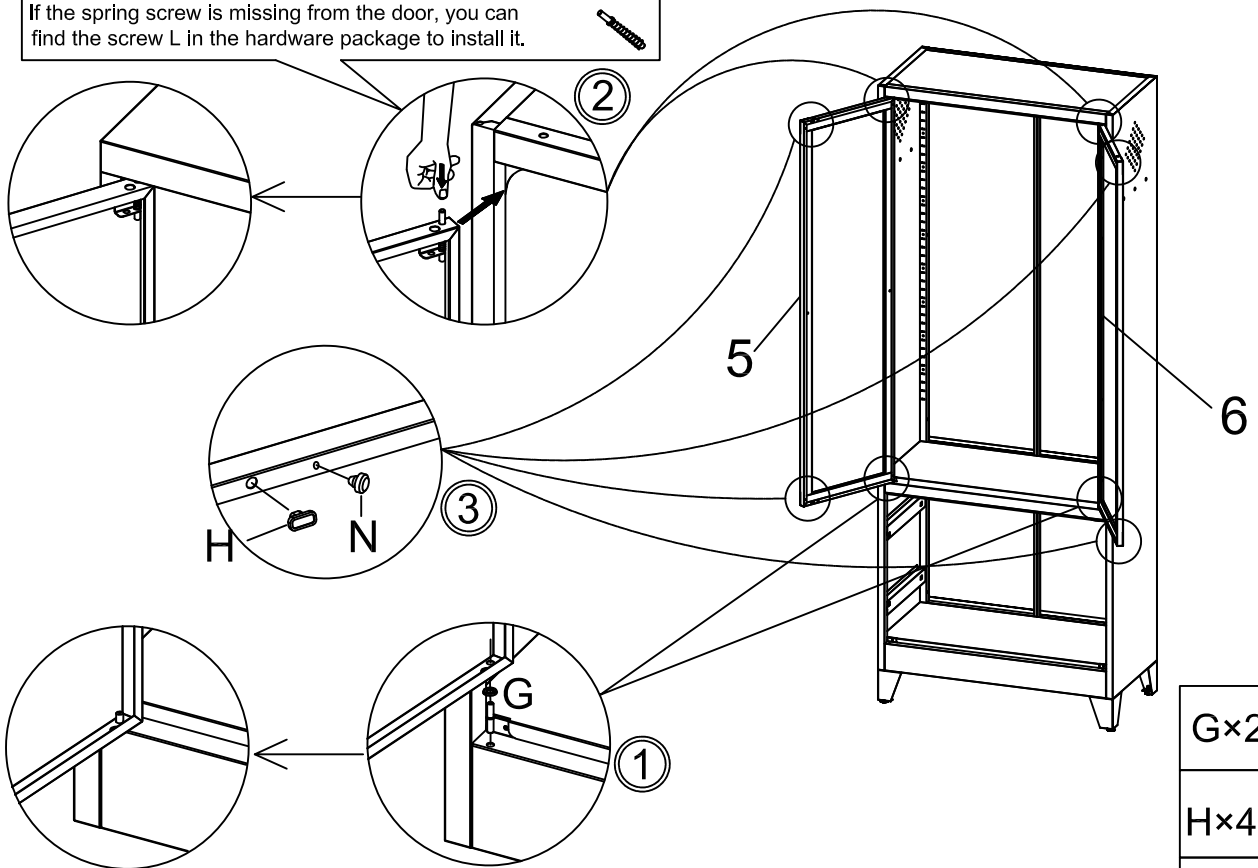
15



16

Install the door by first installing the door pin G, then by pressing the spring shafts on the top of the door.

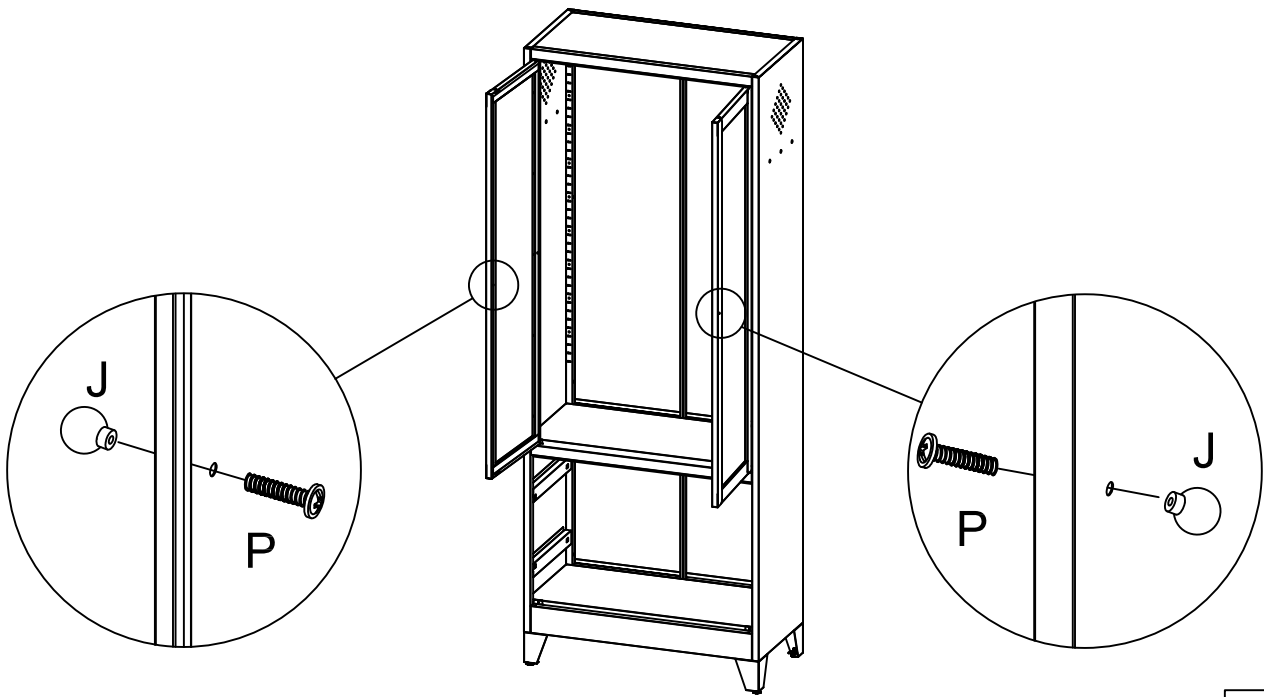
If the spring screw is missing from the door, you can find the screw L in the hardware package to install it.





G×2	
H×4	
N×4	

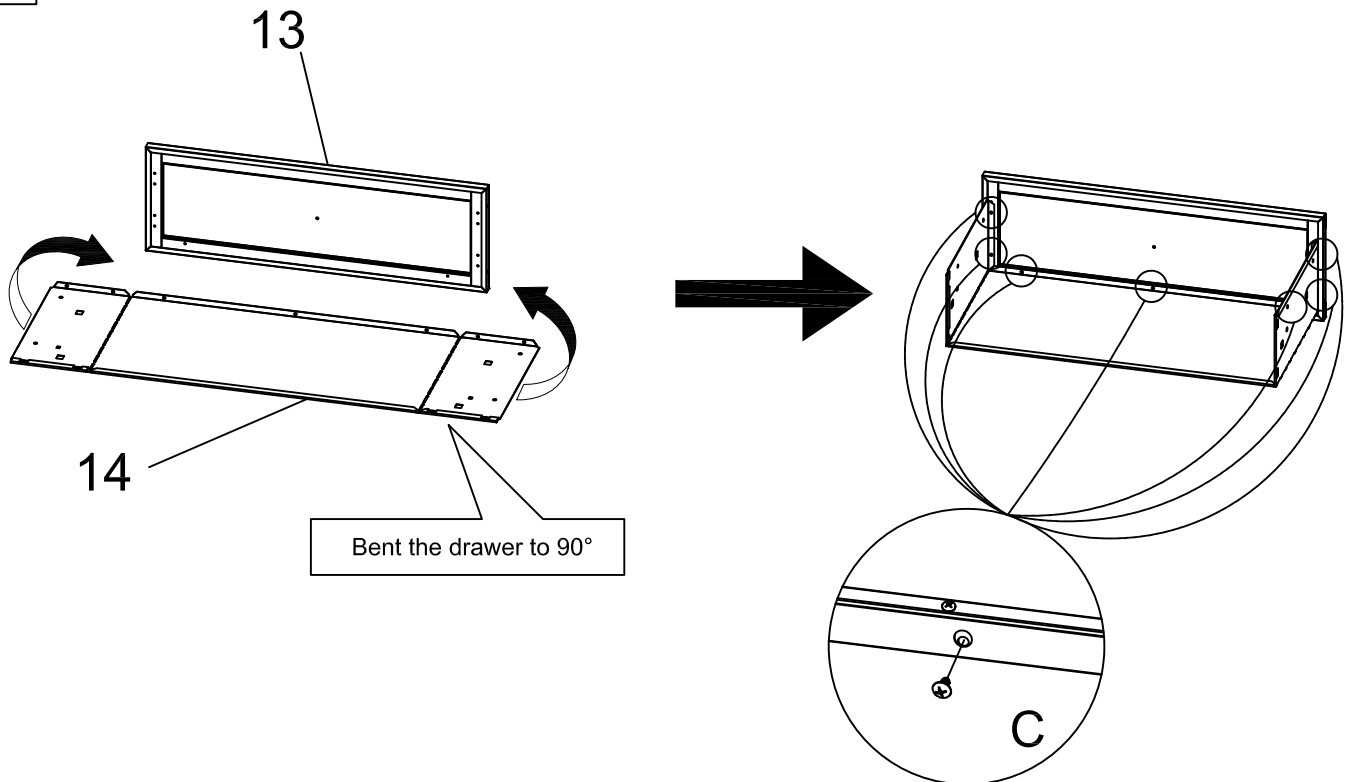
17

Attach the handle I to the door panels and secure them with screws K.




- J×2 
- P×2 

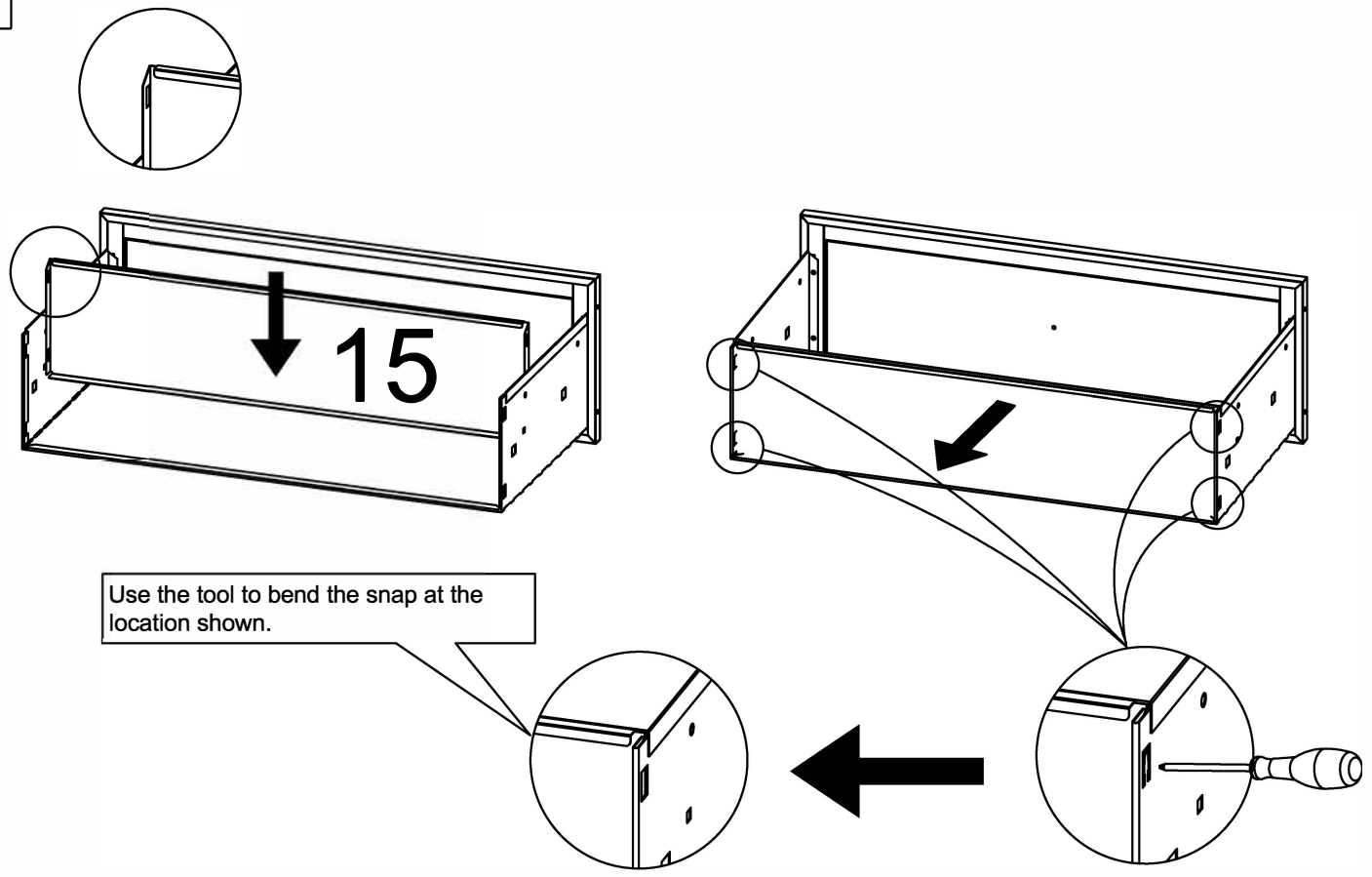
18



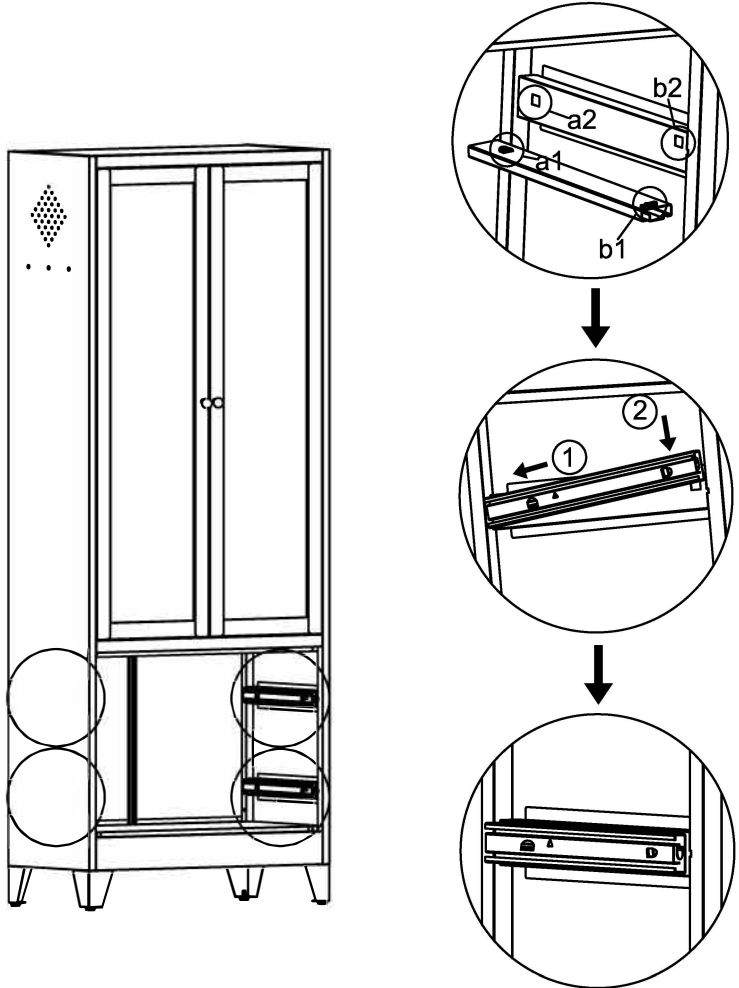
Bent the drawer to 90°

- C×7 

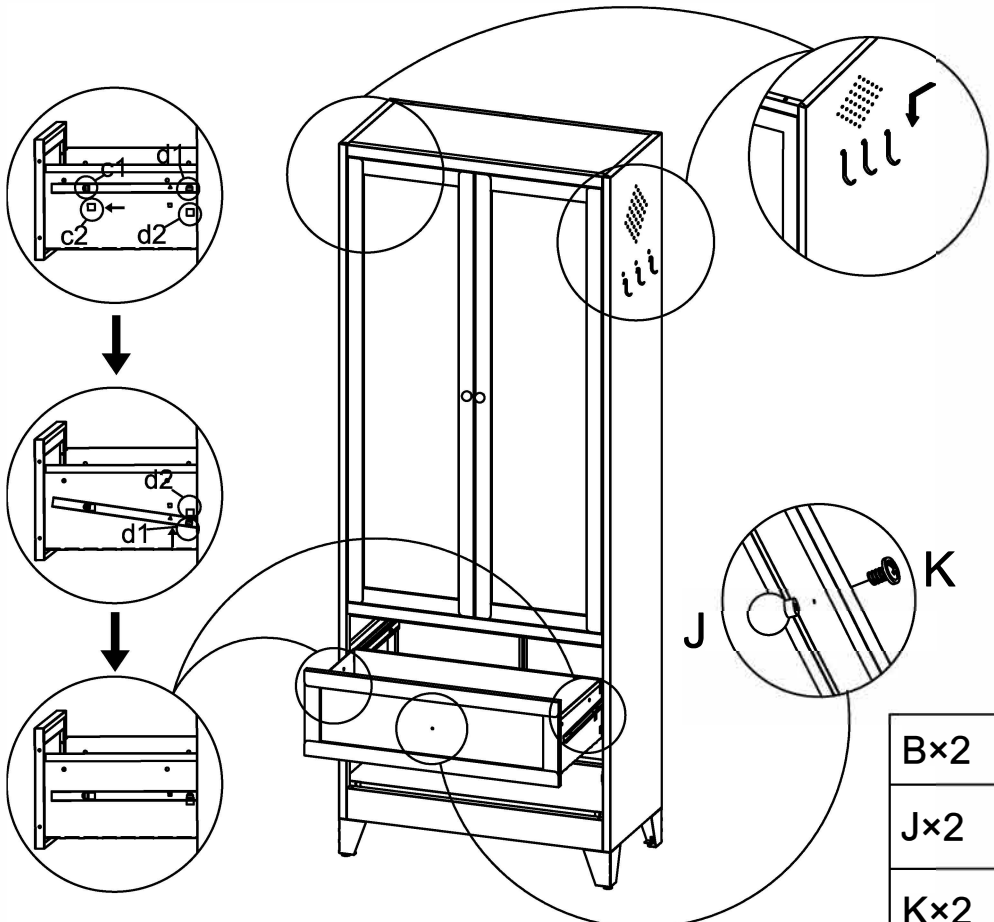
19



20



1. Insert the a1 socket on the outside of the slide rail into the a2 hole on the bracket and push it all the way in.
2. Insert the b1 socket on the outside of the slide rail into the b2 hole on the bracket and push it down all the way to ensure that the two sockets on the slide rail are completely inserted into the holes of the bracket.
3. The other three slide rails were also installed in the same way.



1. Pull out the small slide rail and then insert c1 into the c2 hole.
2. Push the small slide rail upwards so that d1 on the slide rail is inserted into the d2 hole on the drawer. Make sure it is fully clamped.
3. Install the two drawers completely in the same way.

B×2	
J×2	
K×2	
M×6	

