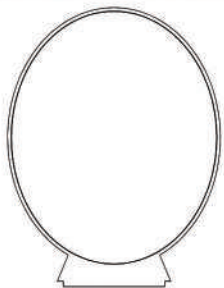
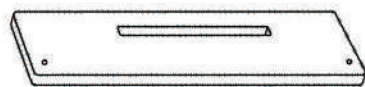


**STEP 1**

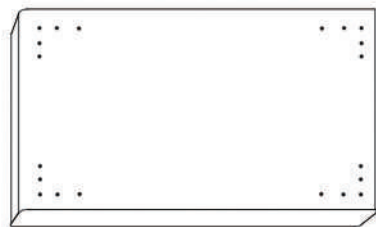
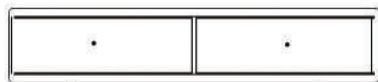
Ax1



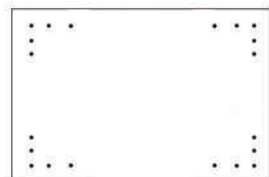
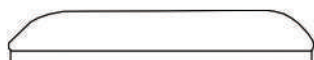
Bx1



Cx1



Dx1



Ex4



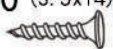
Fx4



Gx8



Hx40 (3.5x14)



Ix3 (3.5x30)



Jx2 (4x16)



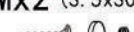
Kx1



Lx1

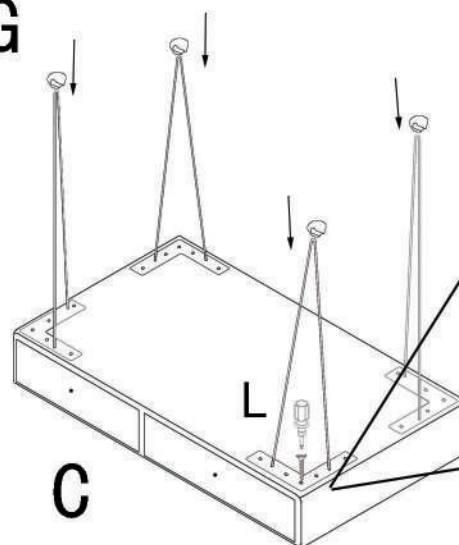


Mx2 (3.5x30)



**STEP 2**

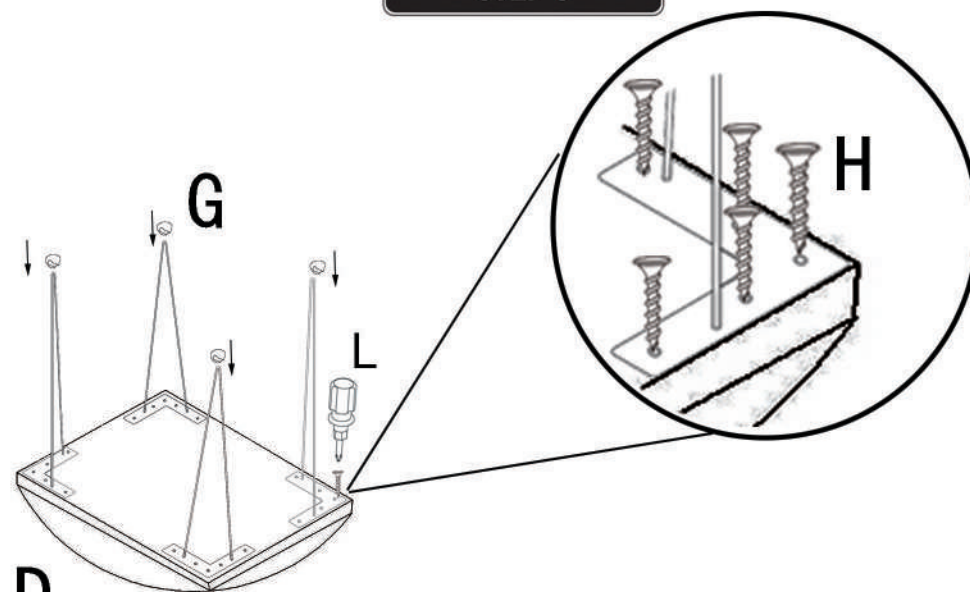
G



C

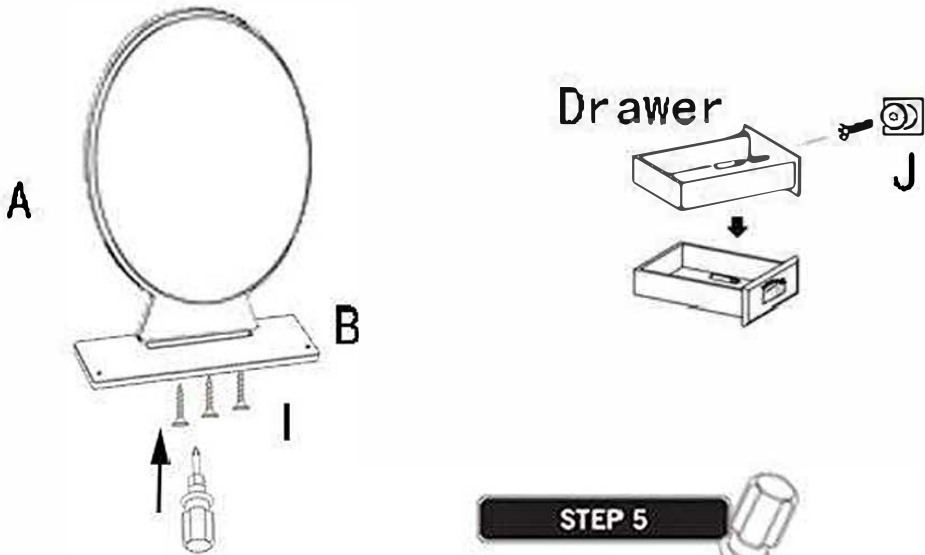
**STEP 3**

G

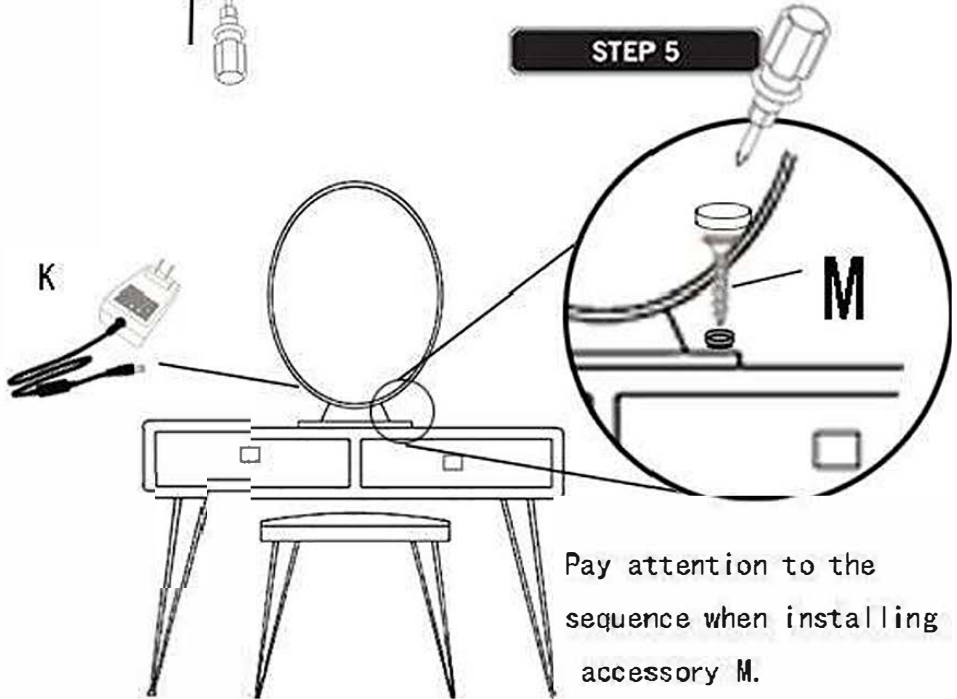


D

**STEP 4**



**STEP 5**



# Dressing table installation instructions

