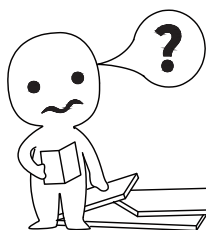


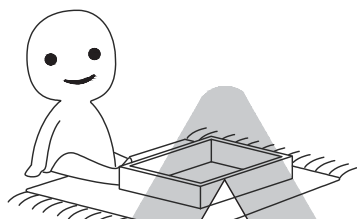
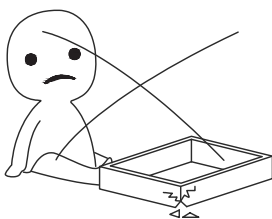
**Attention:** This product shipped via TWO PACKAGES.  
Please don't be confused if only one package was received.

The installation of this product requires **TWO PEOPLE**.



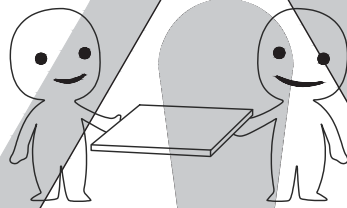
### **IMPORTANT INFORMATION!**

please read the entire manual before starting to assemble and/or using this product, follow the manual thoroughly and keep it for further reference.



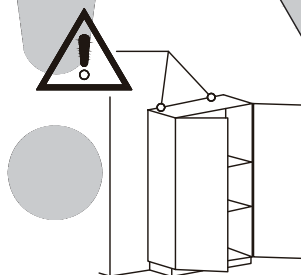
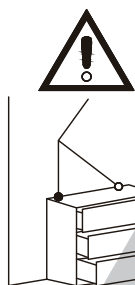
### **AVOID SCRATCHES!**

In order to avoid scratching this furniture should be assembled on a soft layer-could be a rug.



### **IMPROVE EFFICIENCY !**

Try to find a partner to install with you, which can speed up the installation efficiency and shorten the time.



### **ANTI-TOPPLE WARNING !**

Overturned furniture can cause serious or fatal crush injuries. To prevent tipping over, be sure to use the wall attachment, if not included with this product. Please purchase the wall attachment that fit your wall. If unsure, seek professional advice. Please read and follow each step of the instructions carefully.

### **IMPORTANT !**

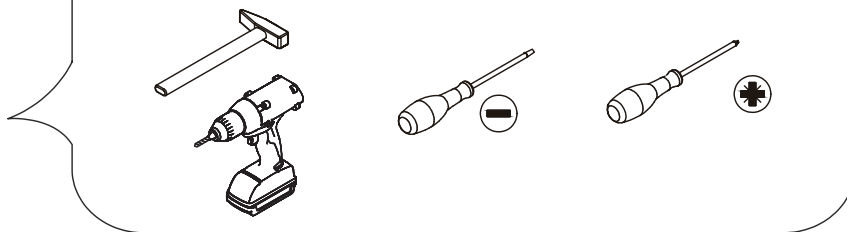
It is important that any product which is assembled using any kind of screw is re-tightened 2 weeks after assembly, and once every 3 months - in order to assure stability through-out the lifespan of the product.

For regular maintenance and cleaning of the product, for the frame, please use a rag dipped in neutral detergent to fully wipe it, and then dry it with a clean rag. For glass materials, wipe with a rag dampened with water glass cleaner, and then dry with a dry rag.

Do not use an electric screwdriver, and do not use too much force when installing, because the board is easy to break.



Please prepare the following tools

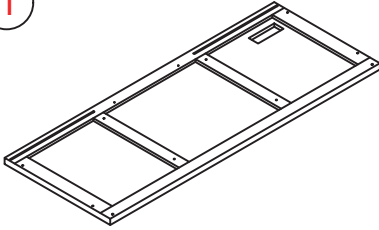


When installing, please carefully confirm whether each screw corresponds to the manual, accessories with similar shapes can be distinguished by size



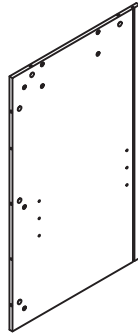
Please check the quantity of product accessories only after both packages have been delivered. **P.4**

1



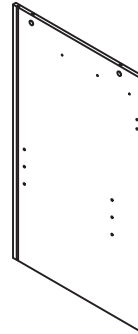
1 PC

2



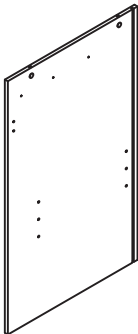
1 PC

3



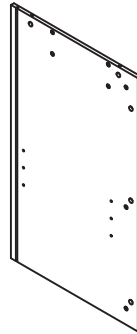
1 PC

4



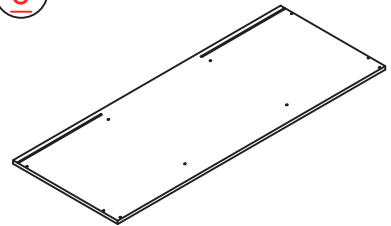
1 PC

5



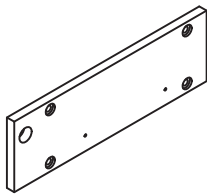
1 PC

6



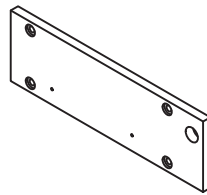
1 PC

7



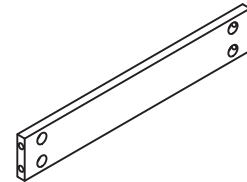
1 PC

8



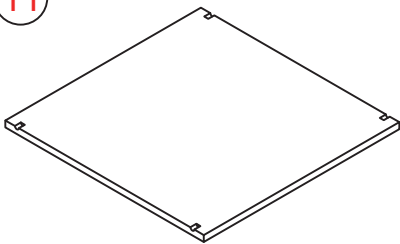
1 PC

10



2 PCS

11



2 PCS

12



2 PCS

13



1 PC

14



1 PC

15



1 PC

16



1 PC

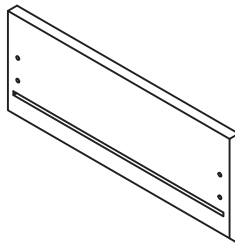


17



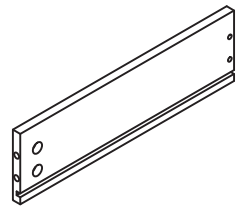
1 PC

18



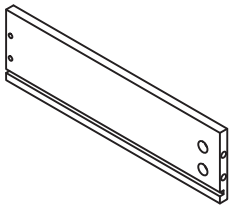
2 PCS

19



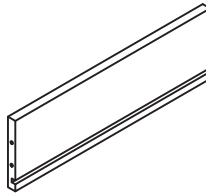
2 PCS

20



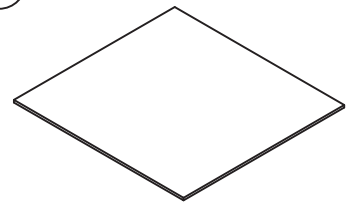
2 PCS

21



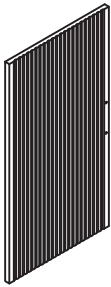
2 PCS

22



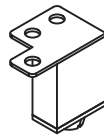
2 PCS

23



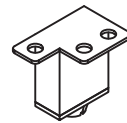
2 PCS

24



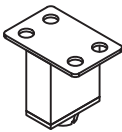
2 PCS

25



2 PCS

26



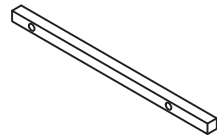
2 PCS

27



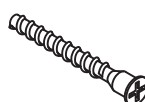




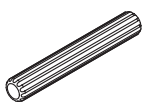
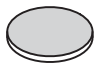



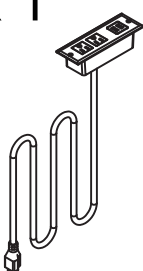
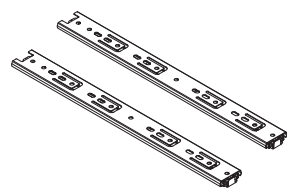
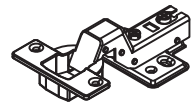
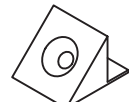


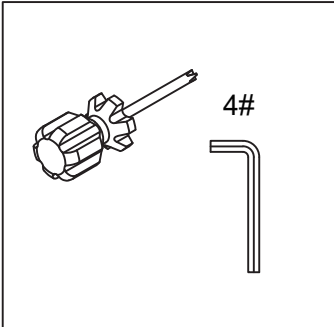
2 PCS

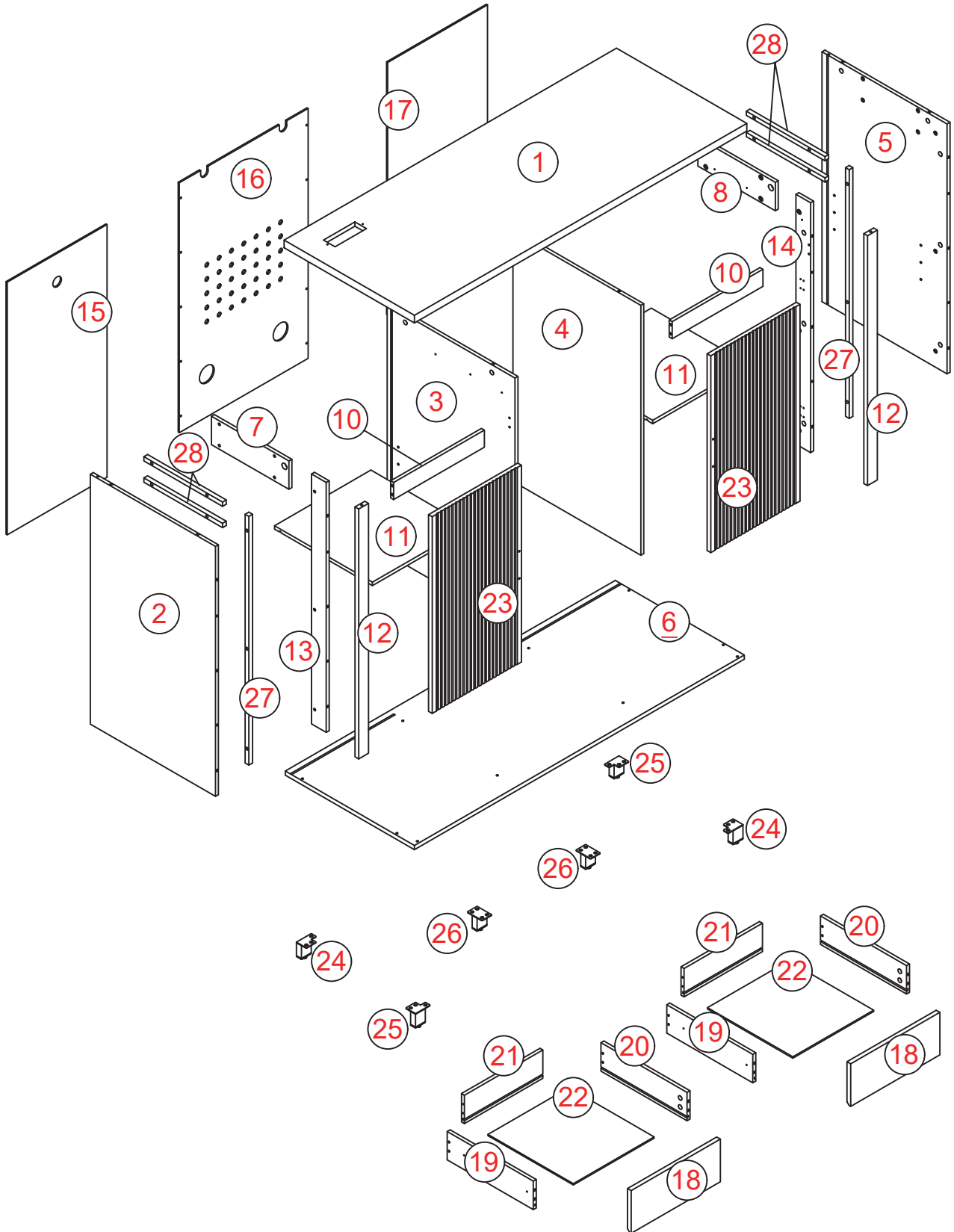
28



4 PCS

<p><b>A</b>    x 36</p>  <p>M5x35 mm</p>	<p><b>B</b>    x 36</p>  <p>Ø15x10 mm</p>	<p><b>C</b>    x 16</p>  <p>M5x40 mm</p>	<p><b>D</b>    x 44</p>  <p>M3.5x12 mm</p>
<p><b>E</b>    x 26</p>  <p>M3.5x14 mm</p>	<p><b>F</b>    x 14</p>  <p>M6x30 mm</p>	<p><b>G</b>    x 20</p>  <p>M6x12 mm</p>	<p><b>H</b>    x 12</p>  <p>Ø6x40 mm</p>
<p><b>J</b>    x 10</p>  <p>Ø21</p>	<p><b>K</b>    x 8</p>  <p>Ø6</p>	<p><b>L</b>    x 2</p>  <p>Ø8x60 mm M5x55 mm</p>	<p><b>M</b>    x 2</p>  <p>0150-96 M4x18 mm</p>
<p><b>N</b>    x 1</p> 	<p><b>O</b>    x 2</p>  <p>14"-3508</p>	<p><b>P</b>    x 4</p>  <p>12 mm</p>	<p><b>R</b>    x 12</p> 

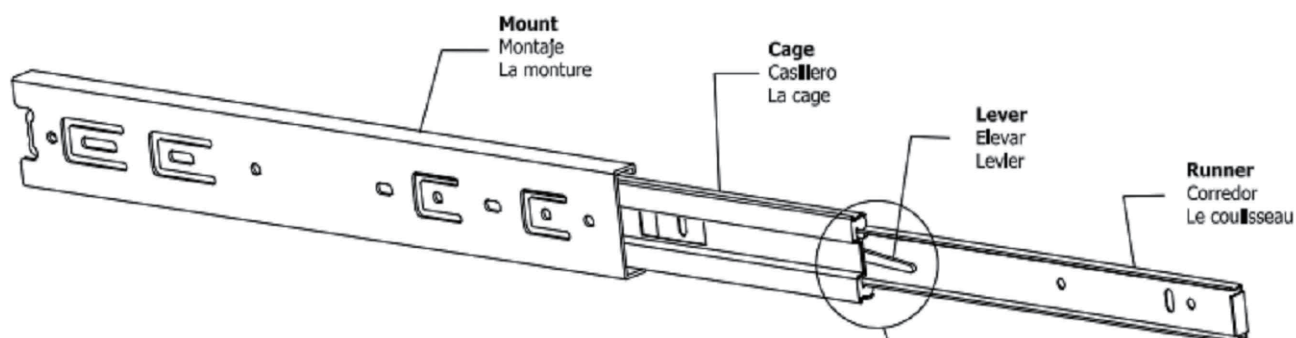




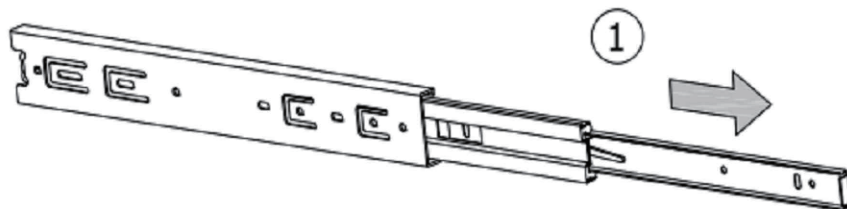
**Slides Must Be Separated Before Assembly.  
After Separated, Set Aside Until Needed for Assembly.**

Las diapositivas deben separarse antes del montaje.  
Después de la separación, déjelo a un lado hasta que sea necesario.

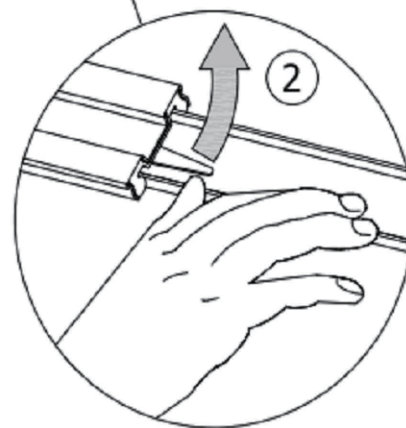
Les glissières doivent être séparées avant l'assemblage.  
Après la séparation, mettez de côté jusqu'au moment de l'assemblage. ➔



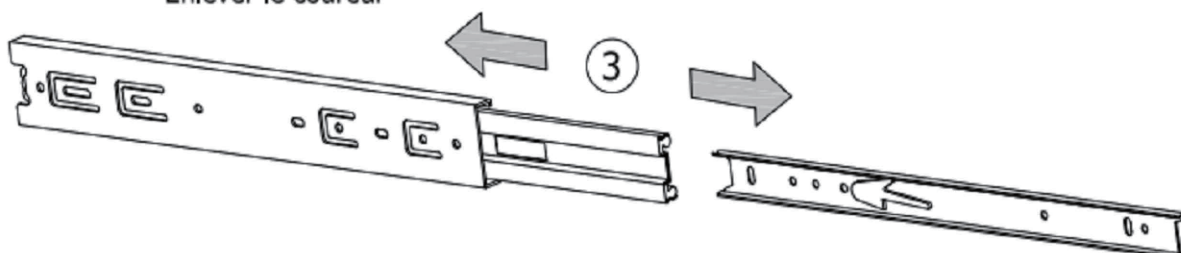
**STEP 1: Extend Slide**  
Extender la diapositiva  
Extendre la diapositive



**STEP 2: Push Lever UP**  
Empujar hacia arriba  
Lever le levier



**STEP 3: Remove Runner**  
Quitar el corredor  
Enlever le coureur

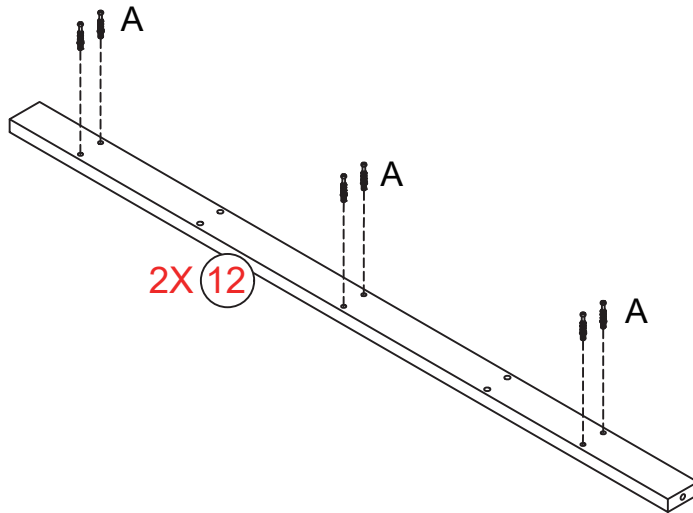


1

A x 12



M5x35 mm



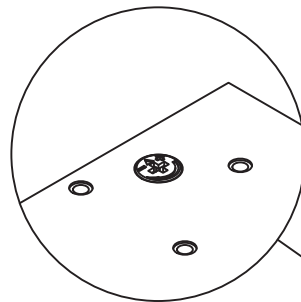
2

Please place the B screws in advance and ensure that the slots of the B screws are facing upward.

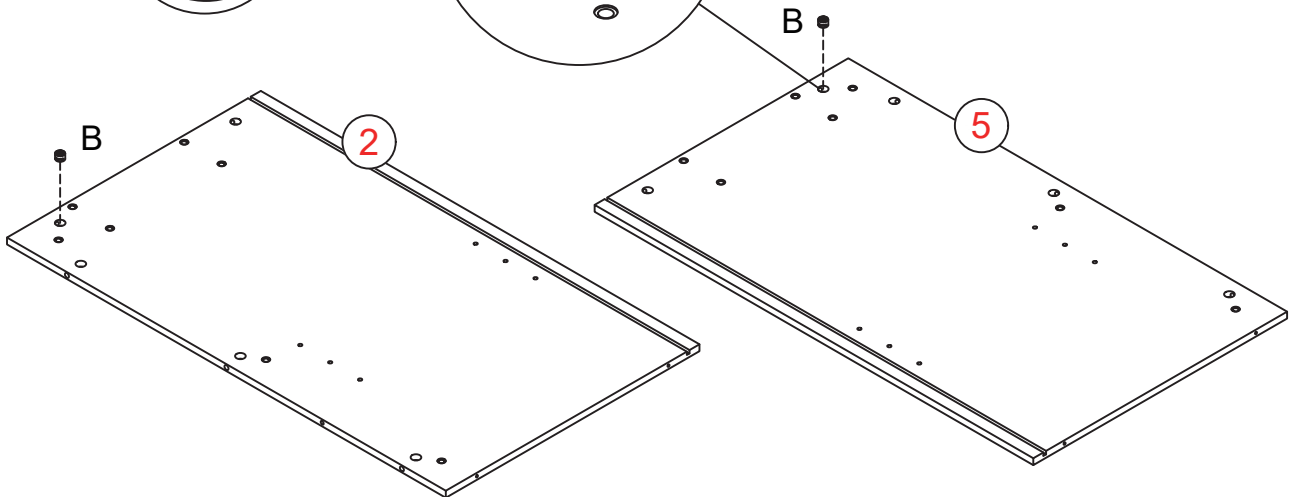
B x 2





Ø15x10 mm

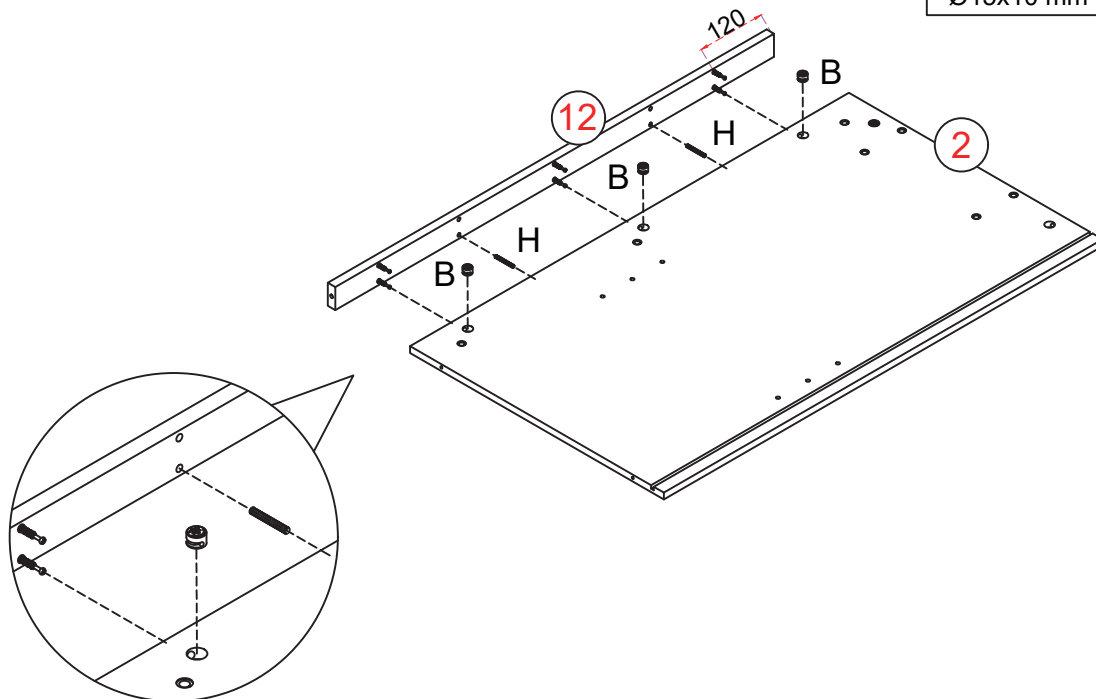


In this step, screw B is pre-embedded and will be used in step 26. Please ensure that the arrow on screw B faces upward and aligns with the hole.





3

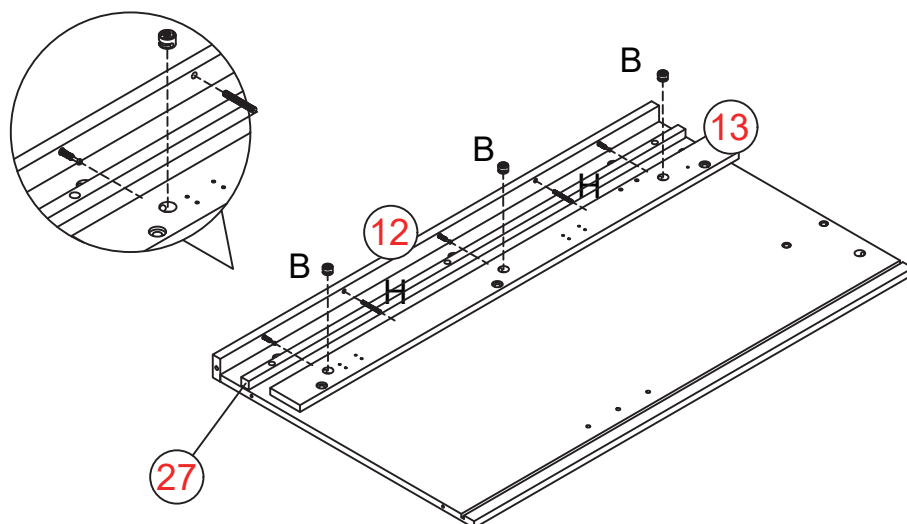
B x 3	H x 2
	
Ø15x10 mm	Ø6x40 mm



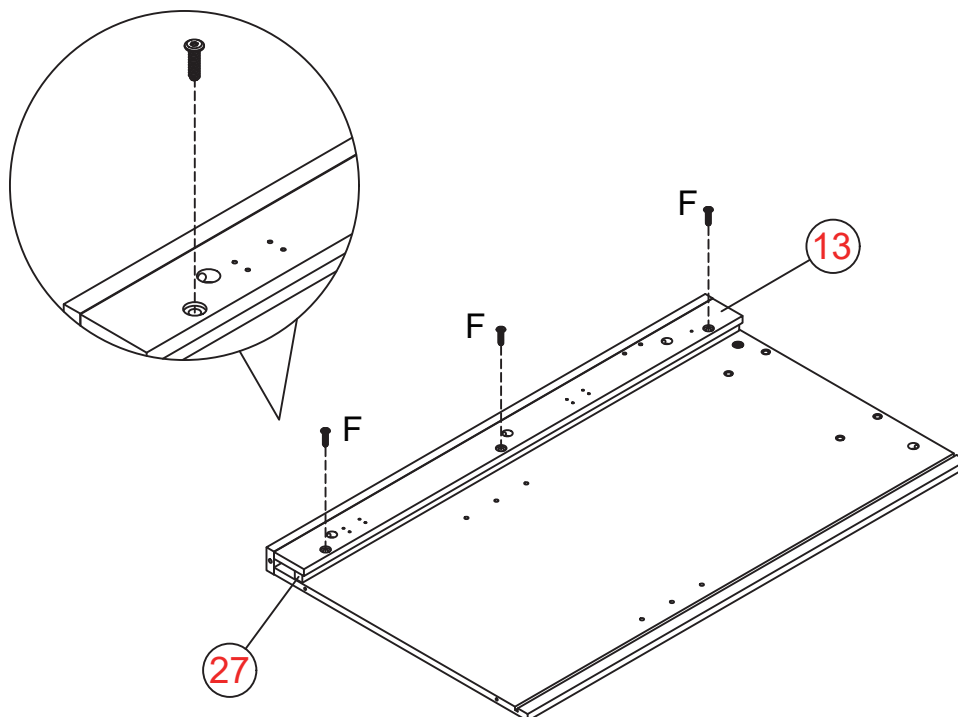
4


During installation, you can directly adjust component 27 to align it with the holes on the panel.

B x 3	H x 2
	
Ø15x10 mm	Ø6x40 mm



5

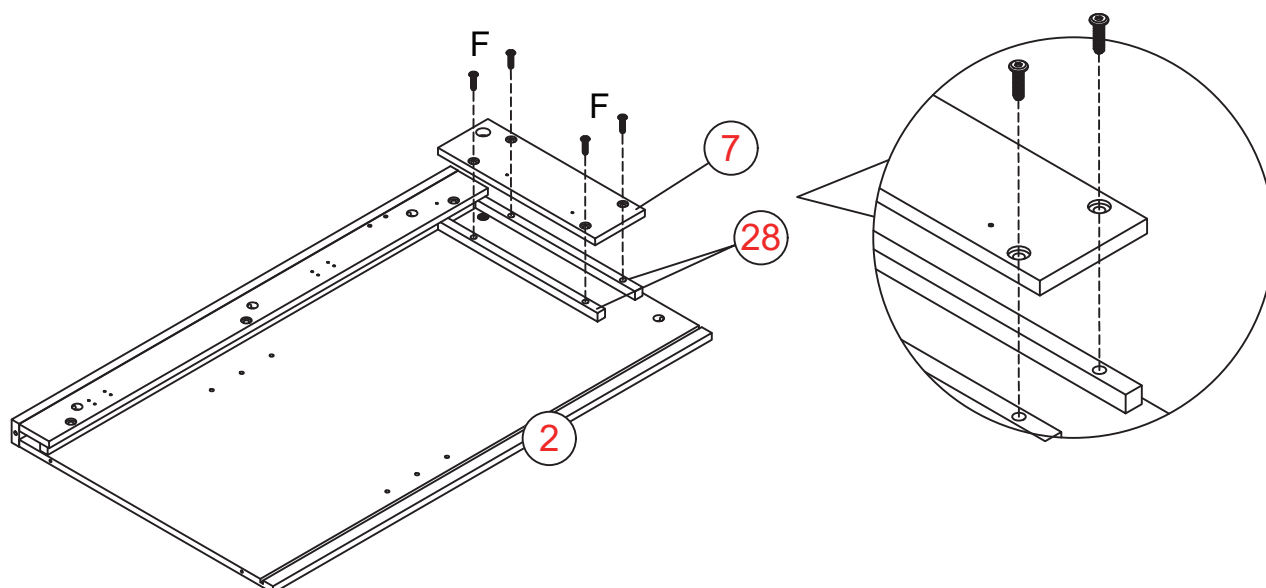



F x 3  
  
 M6x30 mm

Adjust component 27 to align the holes before tightening.

6



Before installation, adjust part 28 to align the holes, then install the screws.

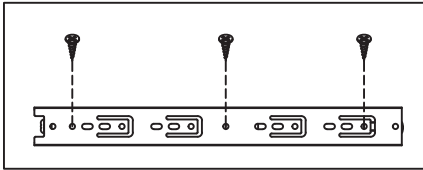
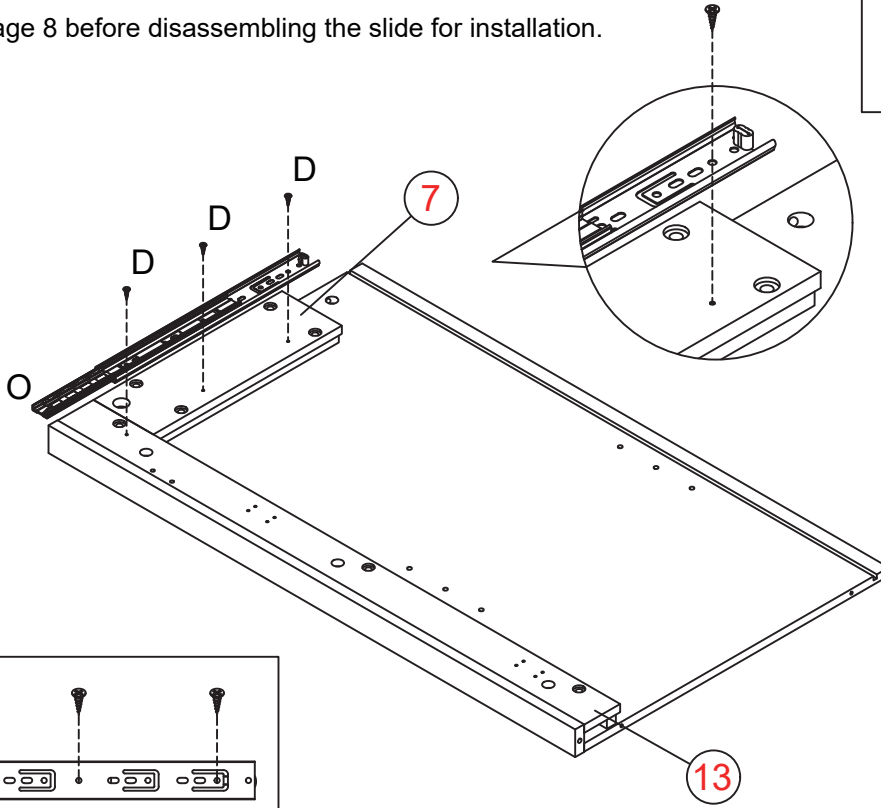


F x 4  
  
 M6x30 mm


7

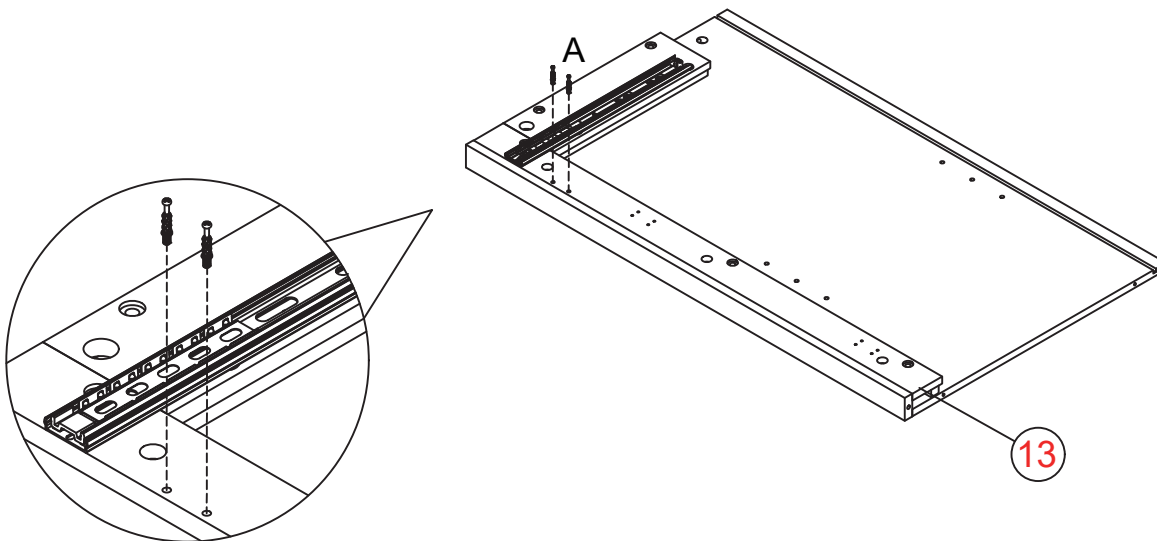
Refer to page 8 before disassembling the slide for installation.

D x 3	O x 1
	
M3.5x12 mm	14"-3508

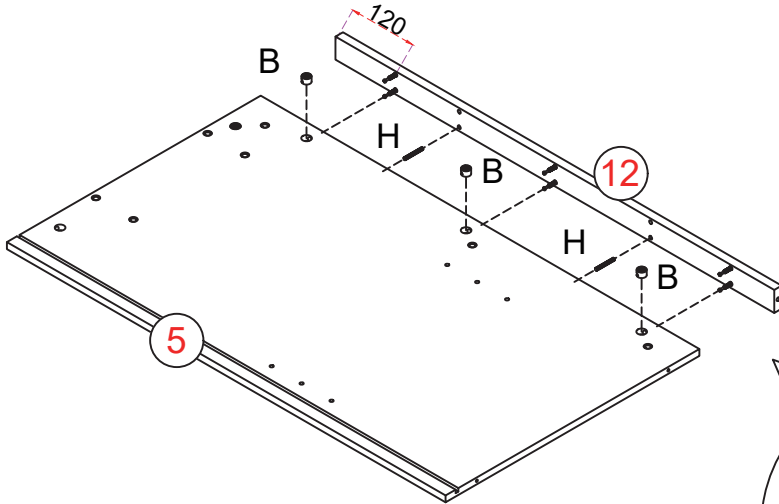


8

A x 2

M5x35 mm



9



B x 3



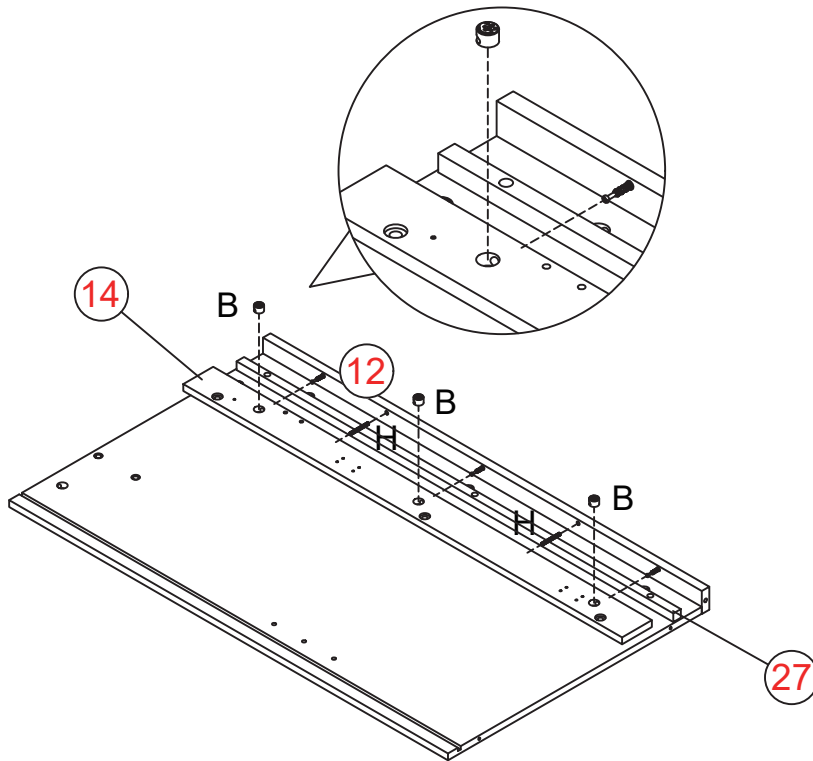
Ø15x10 mm

H x 2



Ø6x40 mm

10



B x 3



Ø15x10 mm

H x 2



Ø6x40 mm

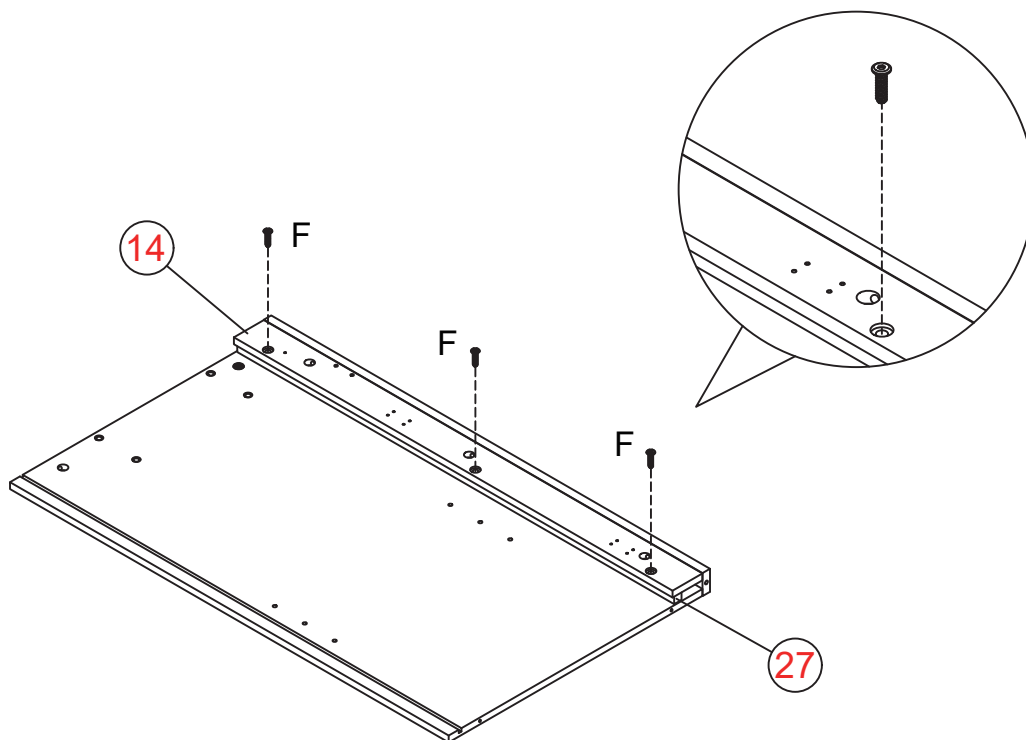
27

11

F x 3



M6x30 mm

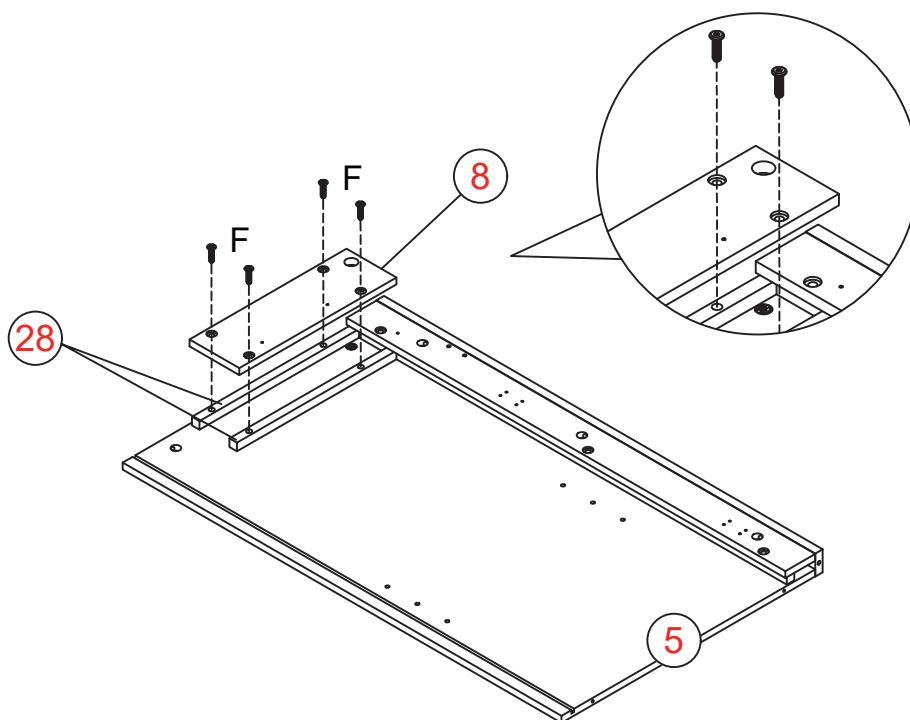


12

F x 4





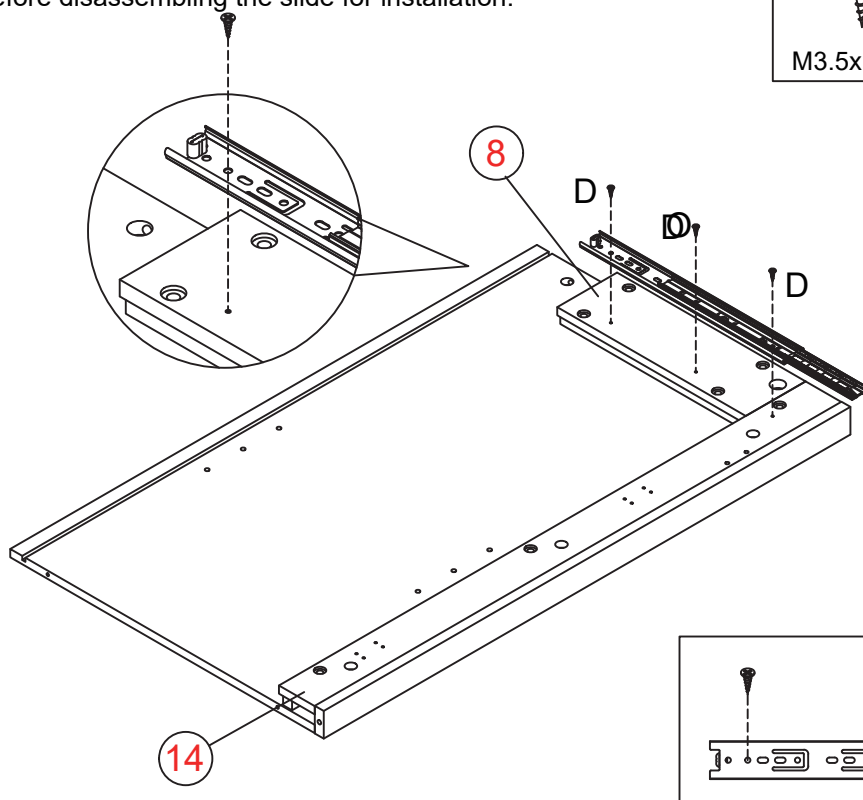
M6x30 mm




13

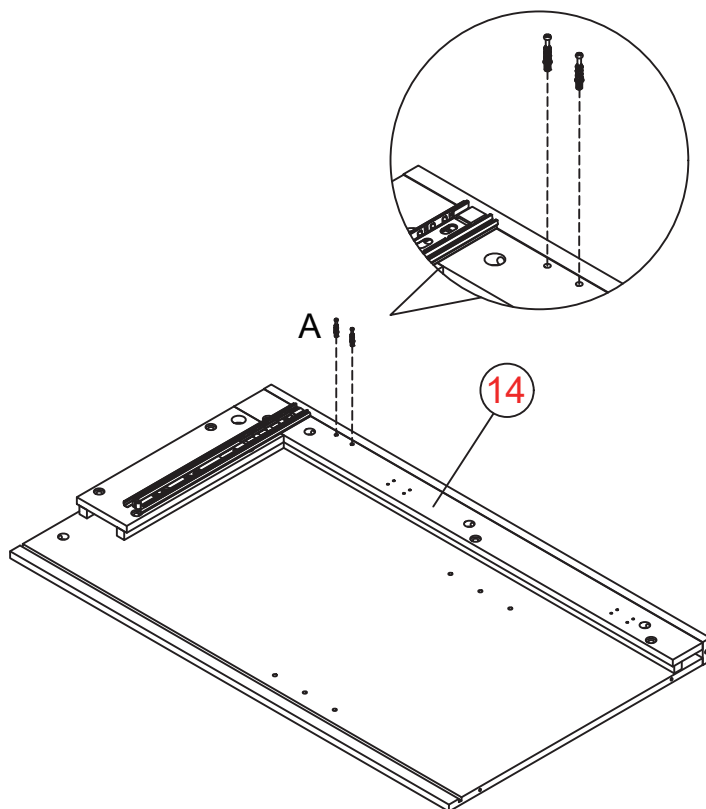
Refer to page 8 before disassembling the slide for installation.

D x 3	O x 1
	
M3.5x12 mm	14"-3508

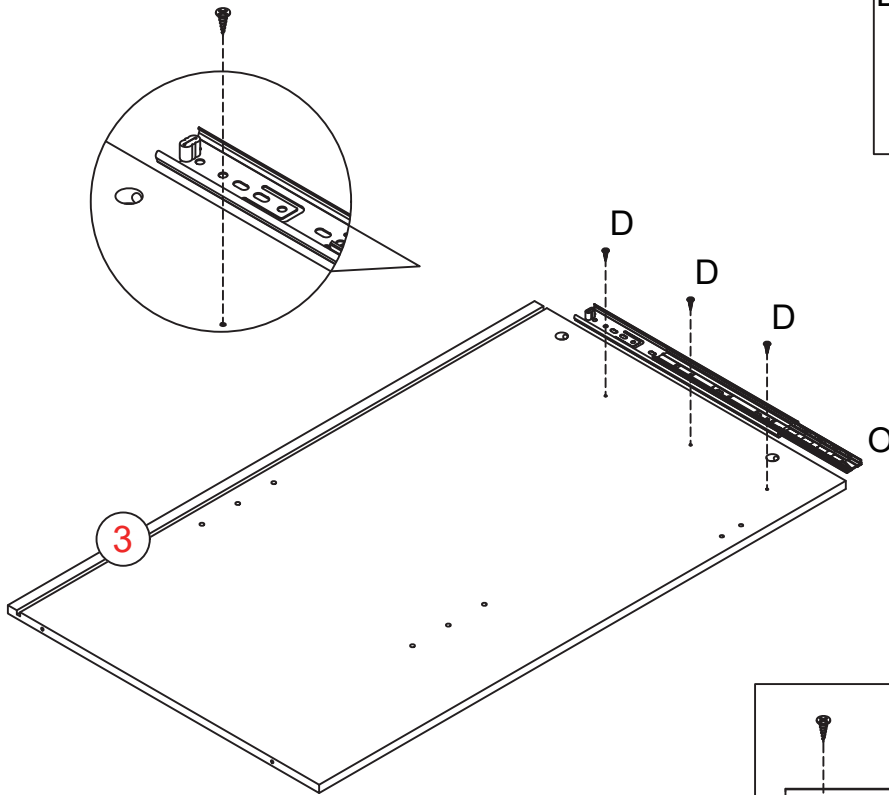




14

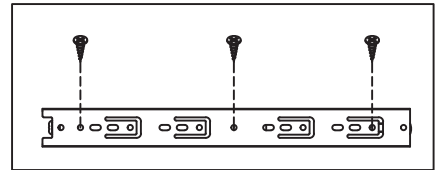
A x 2

M5x35 mm



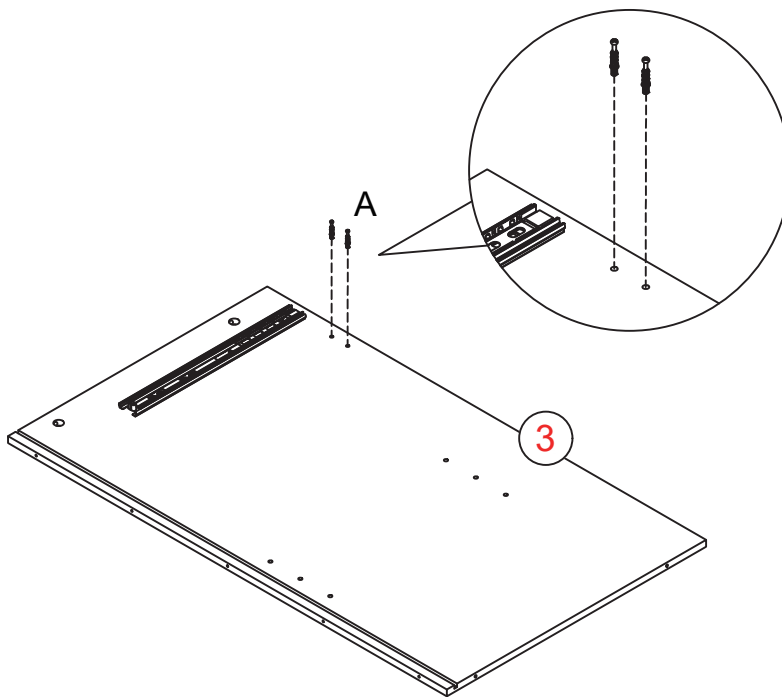
15




D x 3	O x 1
	
M3.5x12 mm	14"-3508





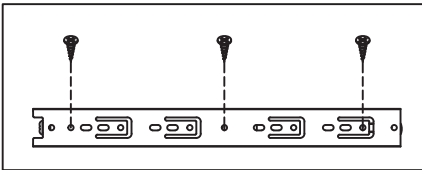
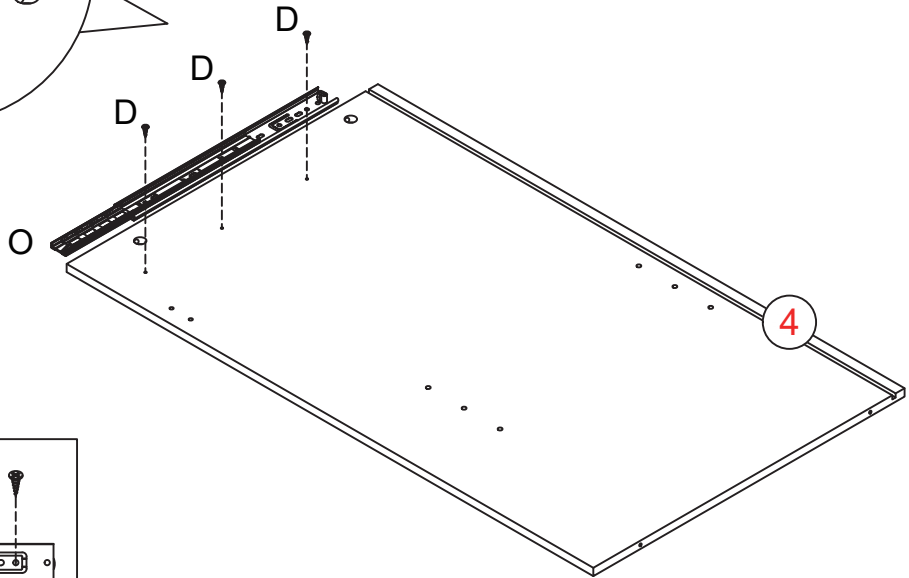
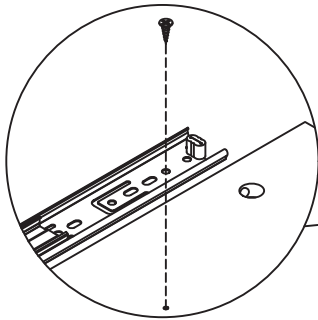
16




A x 2

M5x35 mm

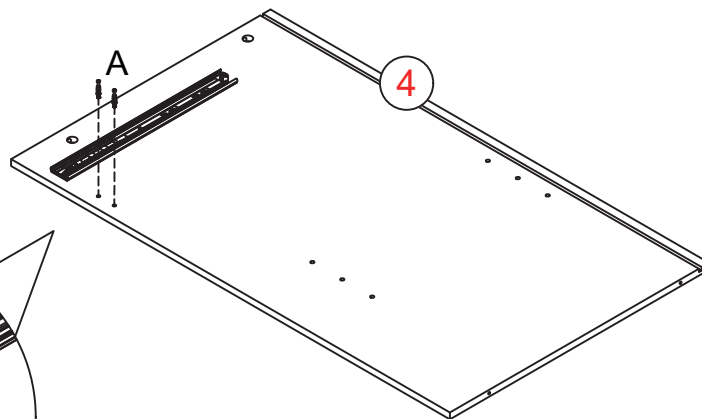
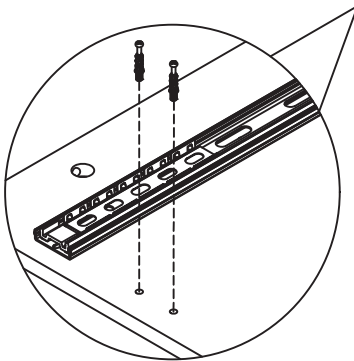
17

D x 3	O x 1
	
M3.5x12 mm	14"-3508

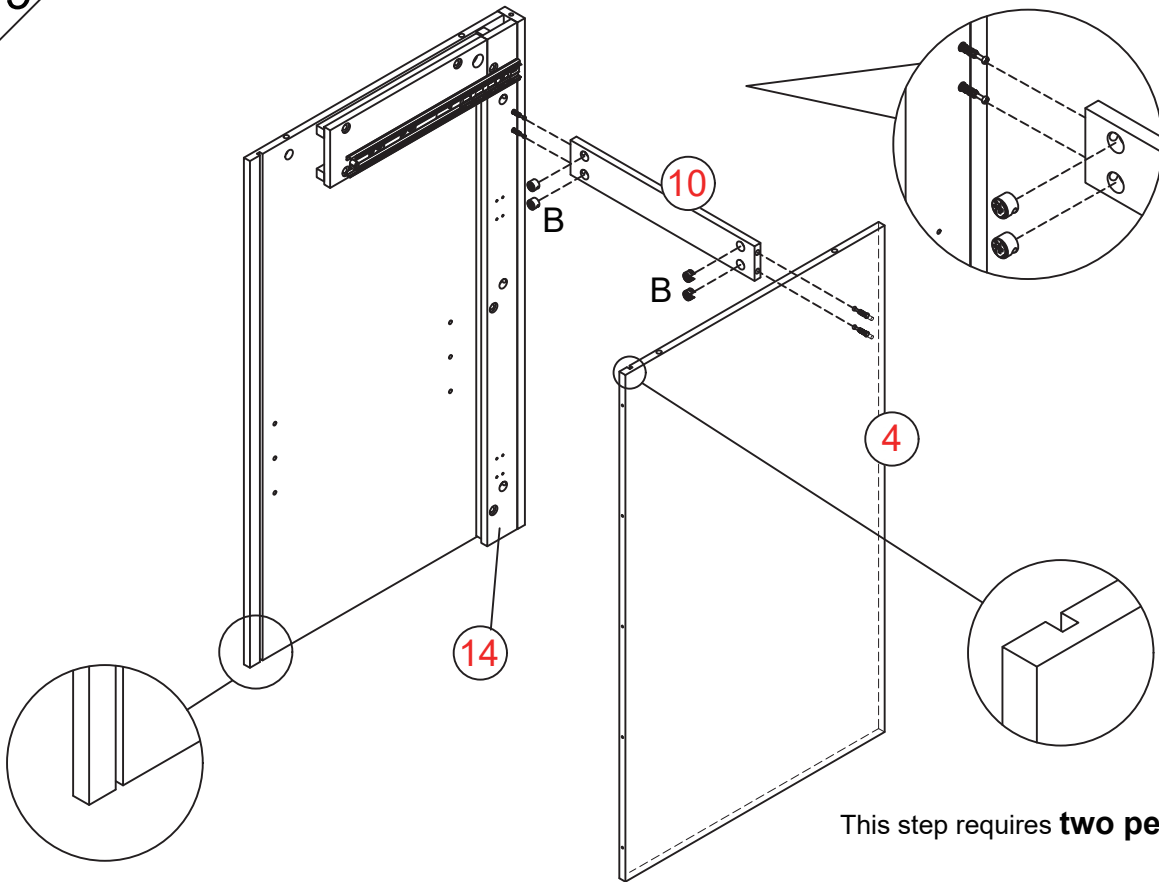



18

A x 2

M5x35 mm



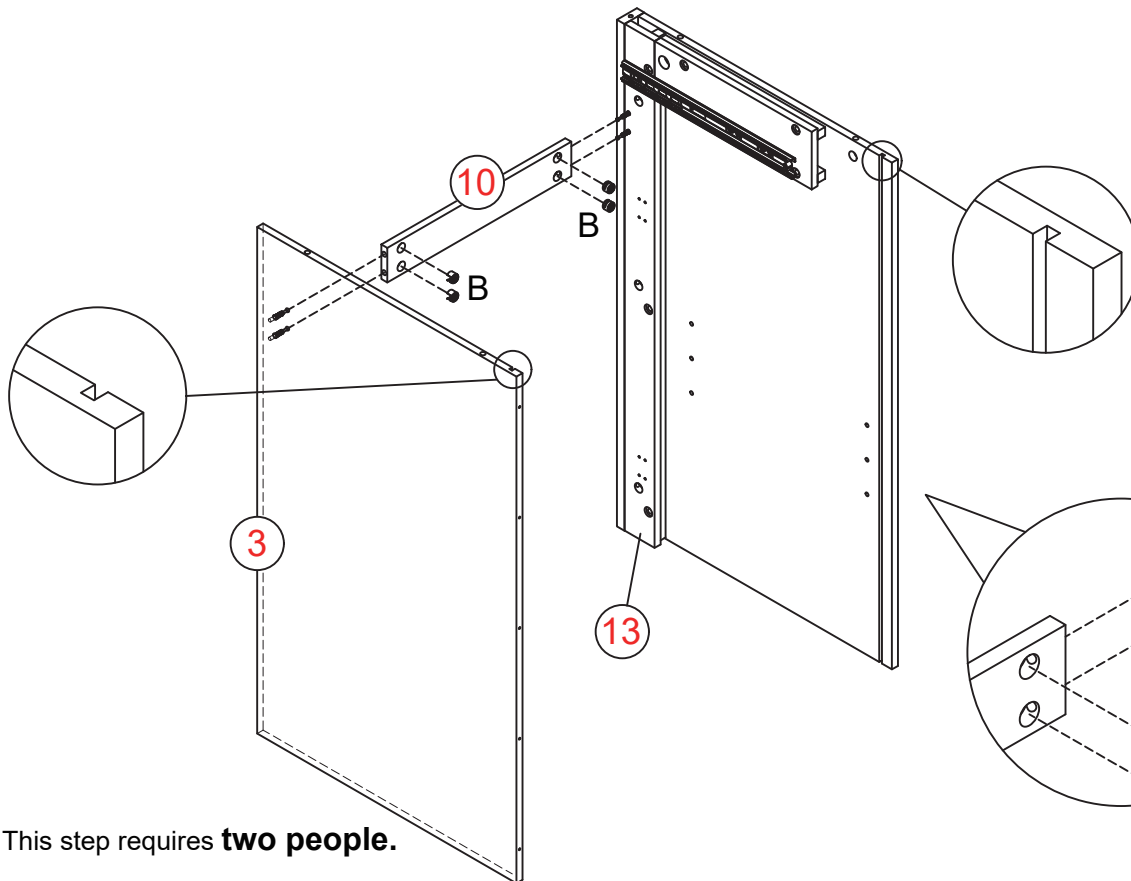
19




B x 4  
  
Ø15x10 mm

This step requires **two people**.

20





B x 4  
  
Ø15x10 mm

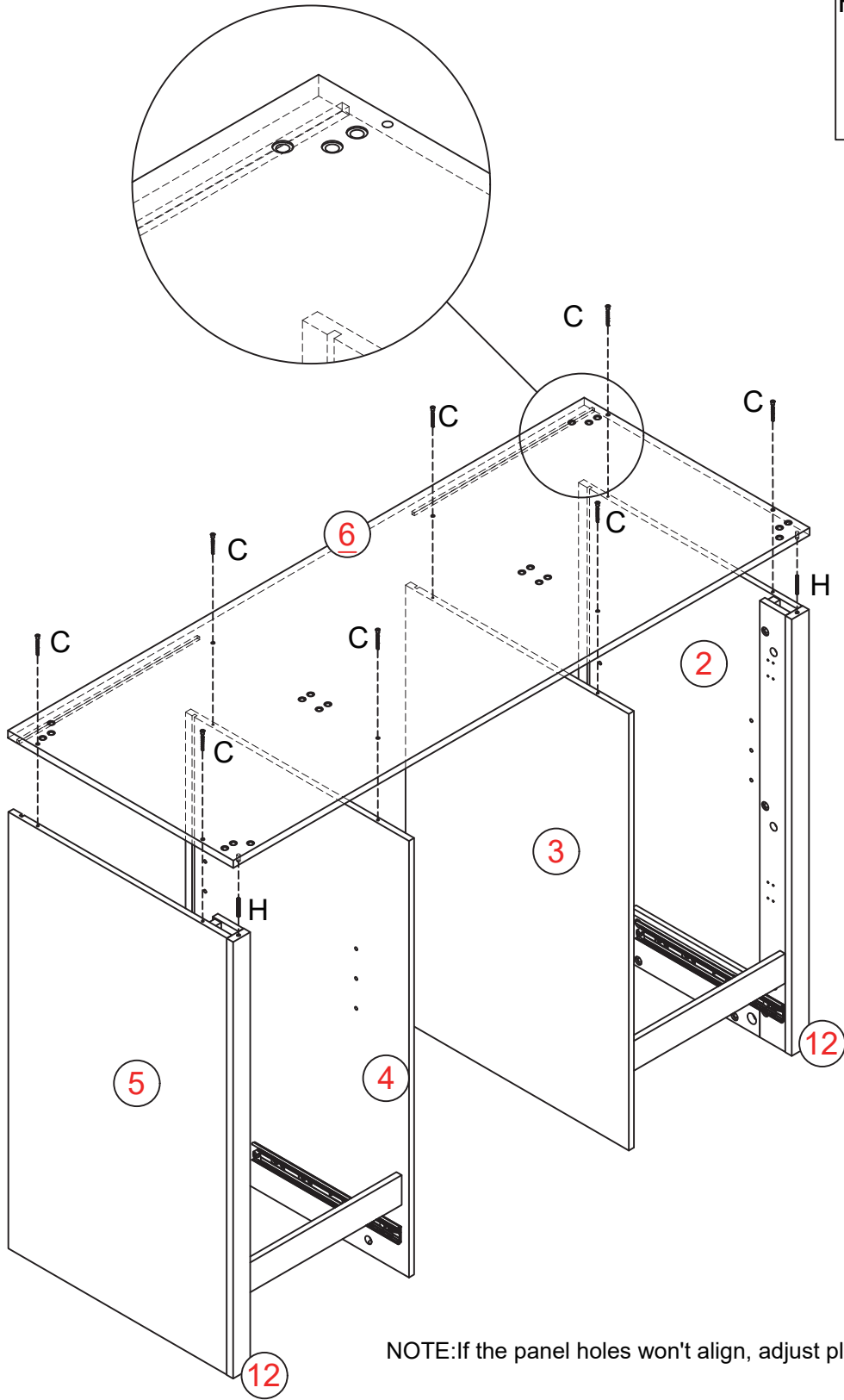
This step requires **two people**.




21

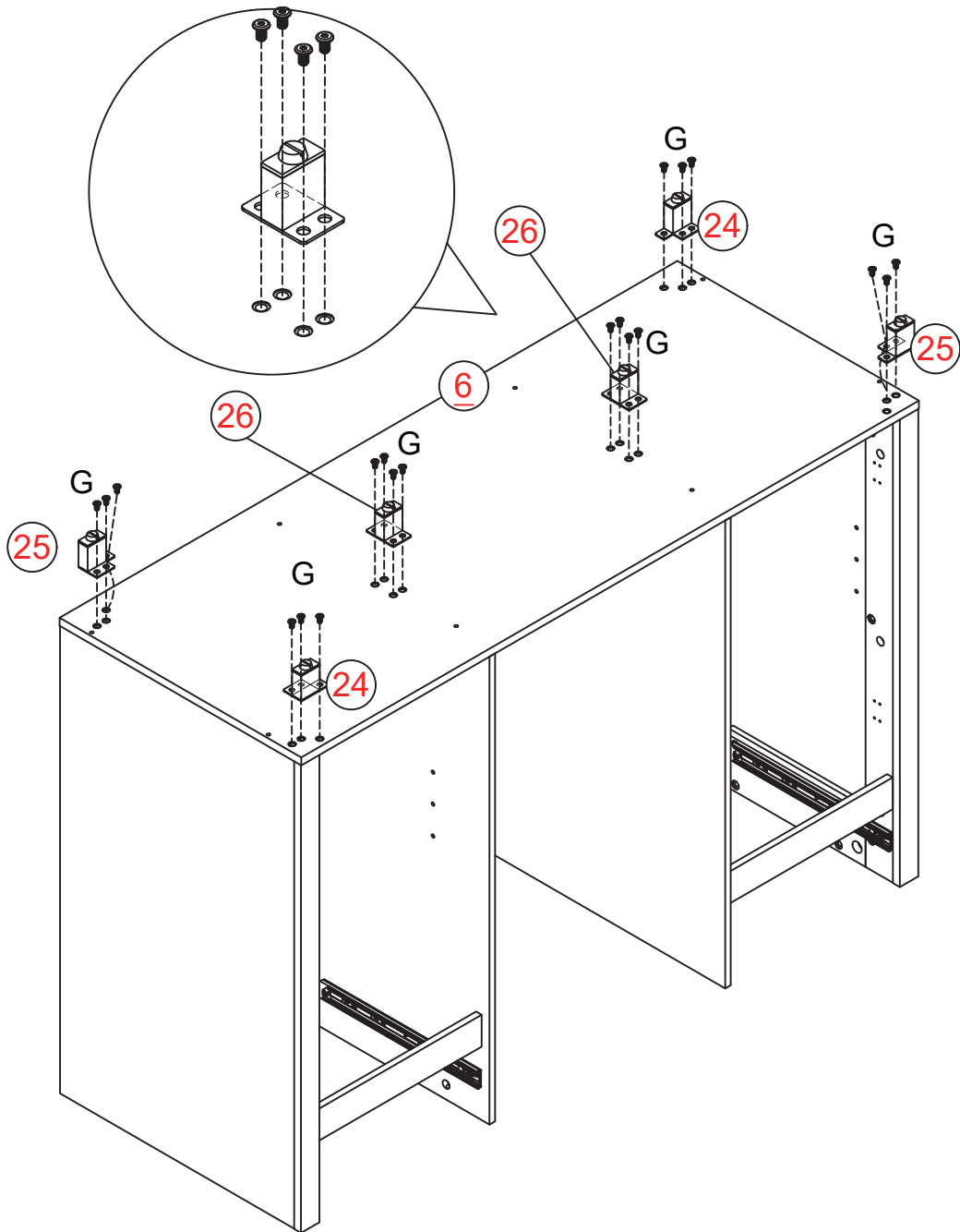
This step requires two people: one to lift the panel and another to align and secure the holes.

- C x 8  
  
M5x40 mm
- H x 2  
  
Ø6x40 mm

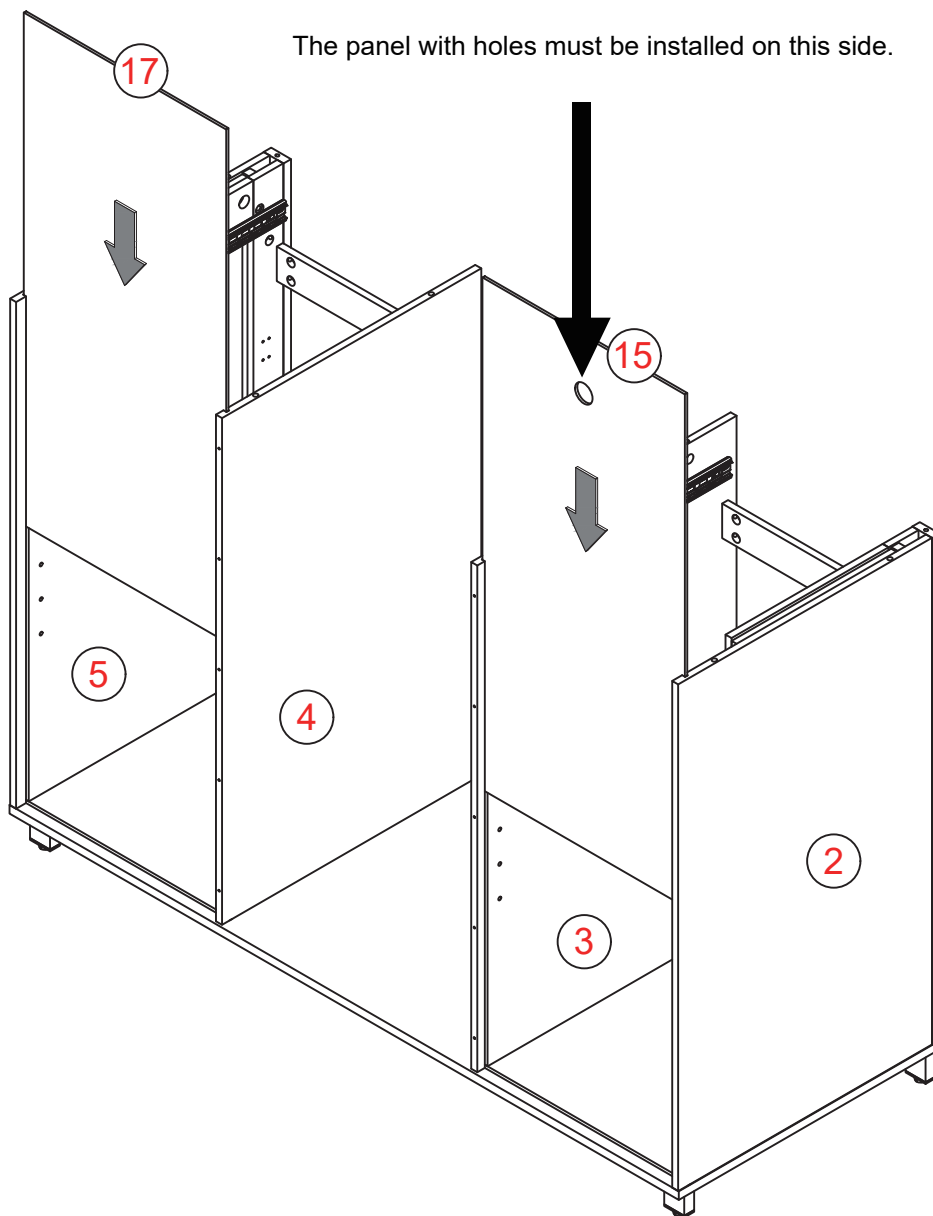


NOTE: If the panel holes won't align, adjust plates 2-5.



G x 20  
  
M6x12 mm

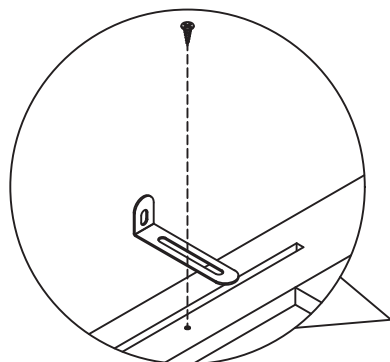


23

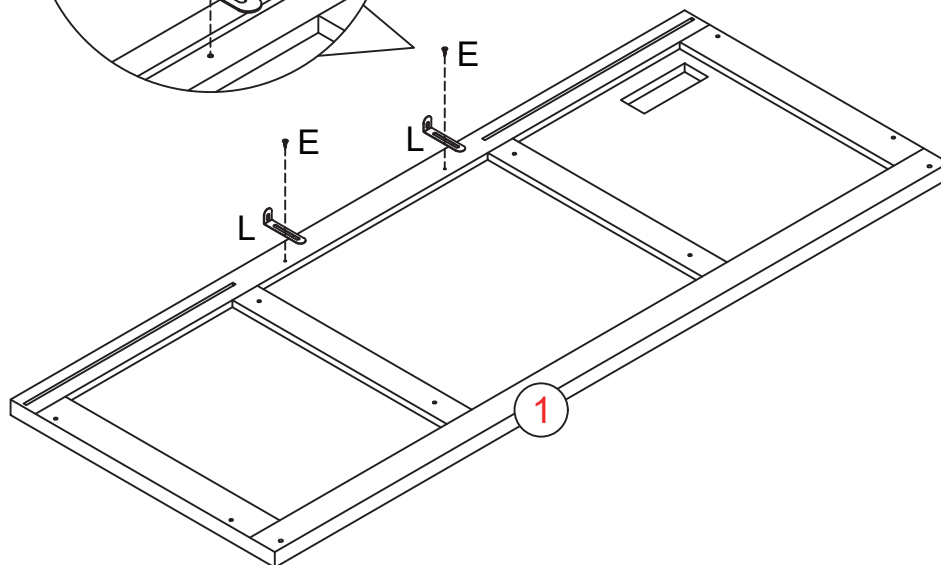


24


E	x 2	L	x 2
			
M3.5x14 mm			

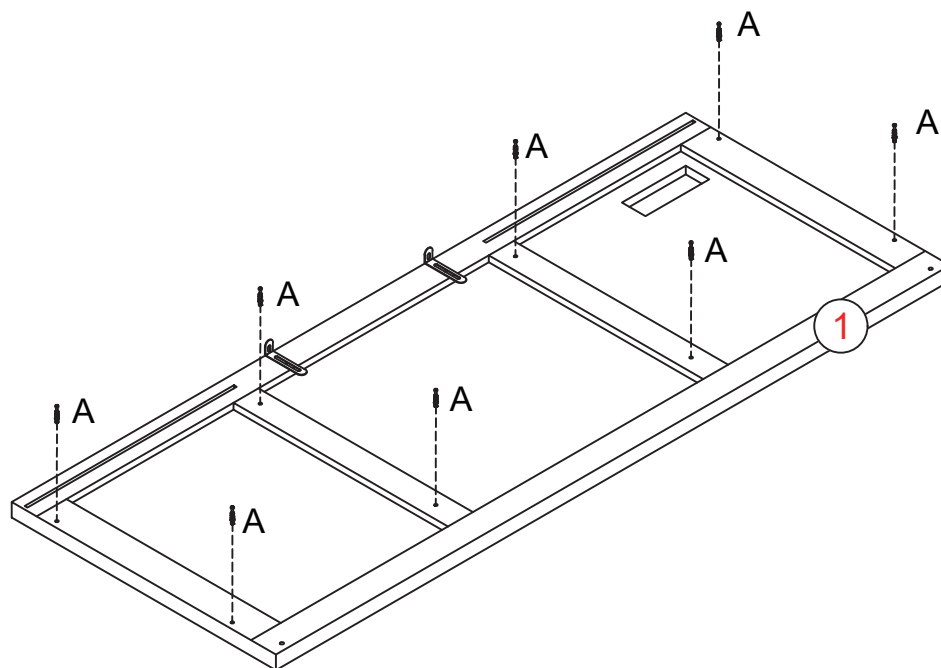


Part L is an anti-tip device. Its installation is optional.



25

A	x 8
	
M5x35 mm	



26

This step requires **two people**.

B x 6

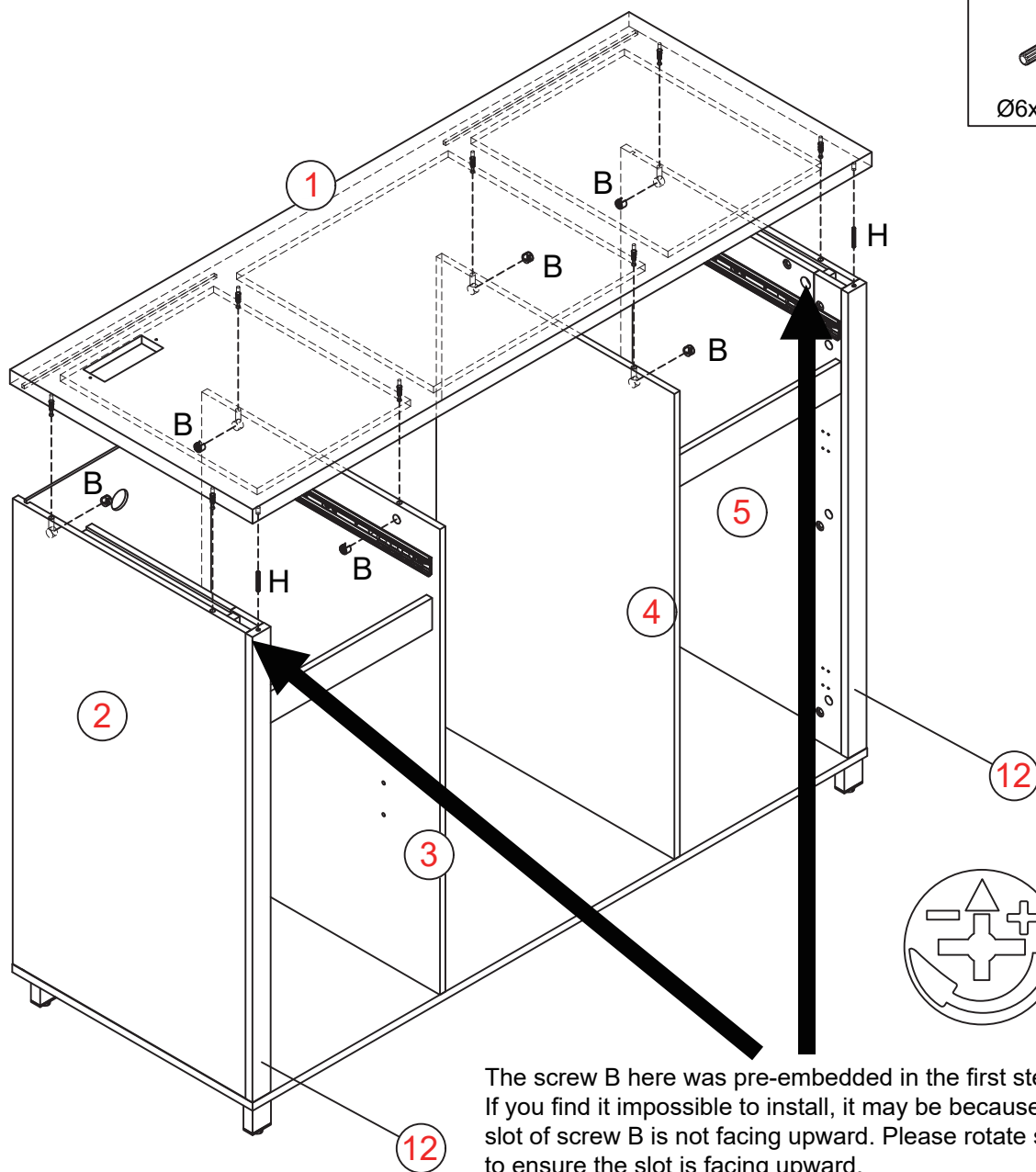


Ø15x10 mm

H x 2



Ø6x40 mm

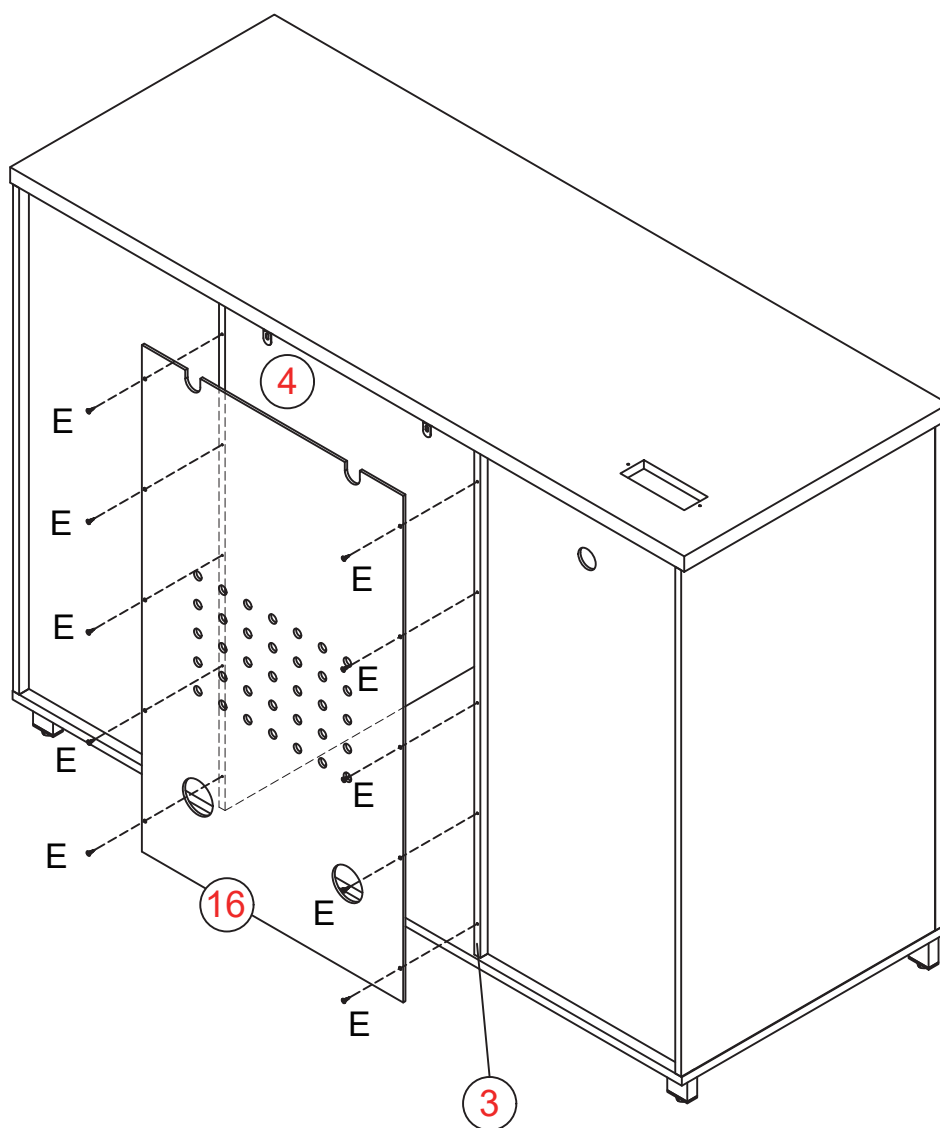


The screw B here was pre-embedded in the first step. If you find it impossible to install, it may be because the slot of screw B is not facing upward. Please rotate screw B to ensure the slot is facing upward.

E x 10



M3.5x14 mm

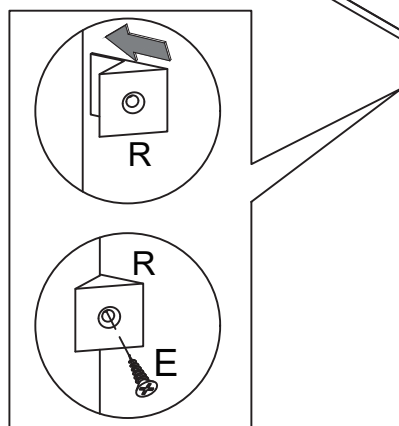
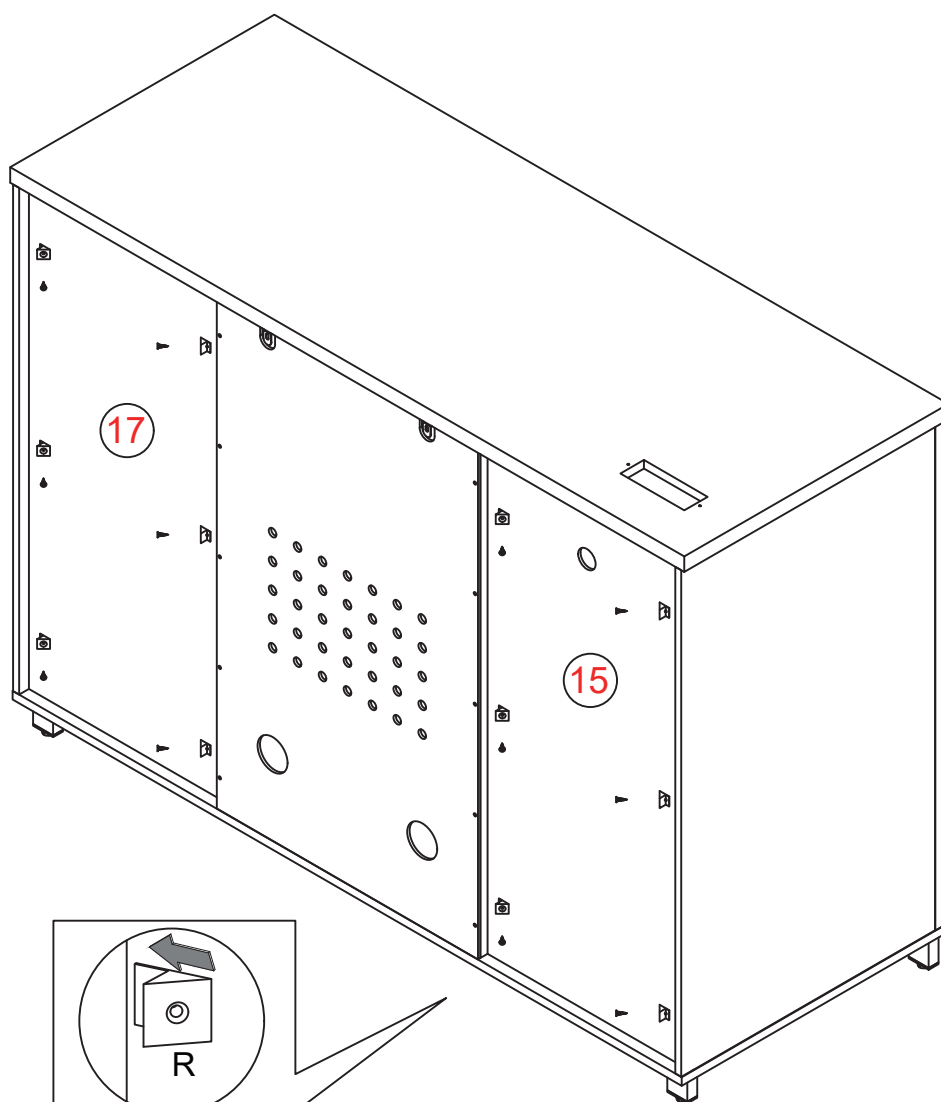


E x 12



M3.5x14 mm

R x 12



29

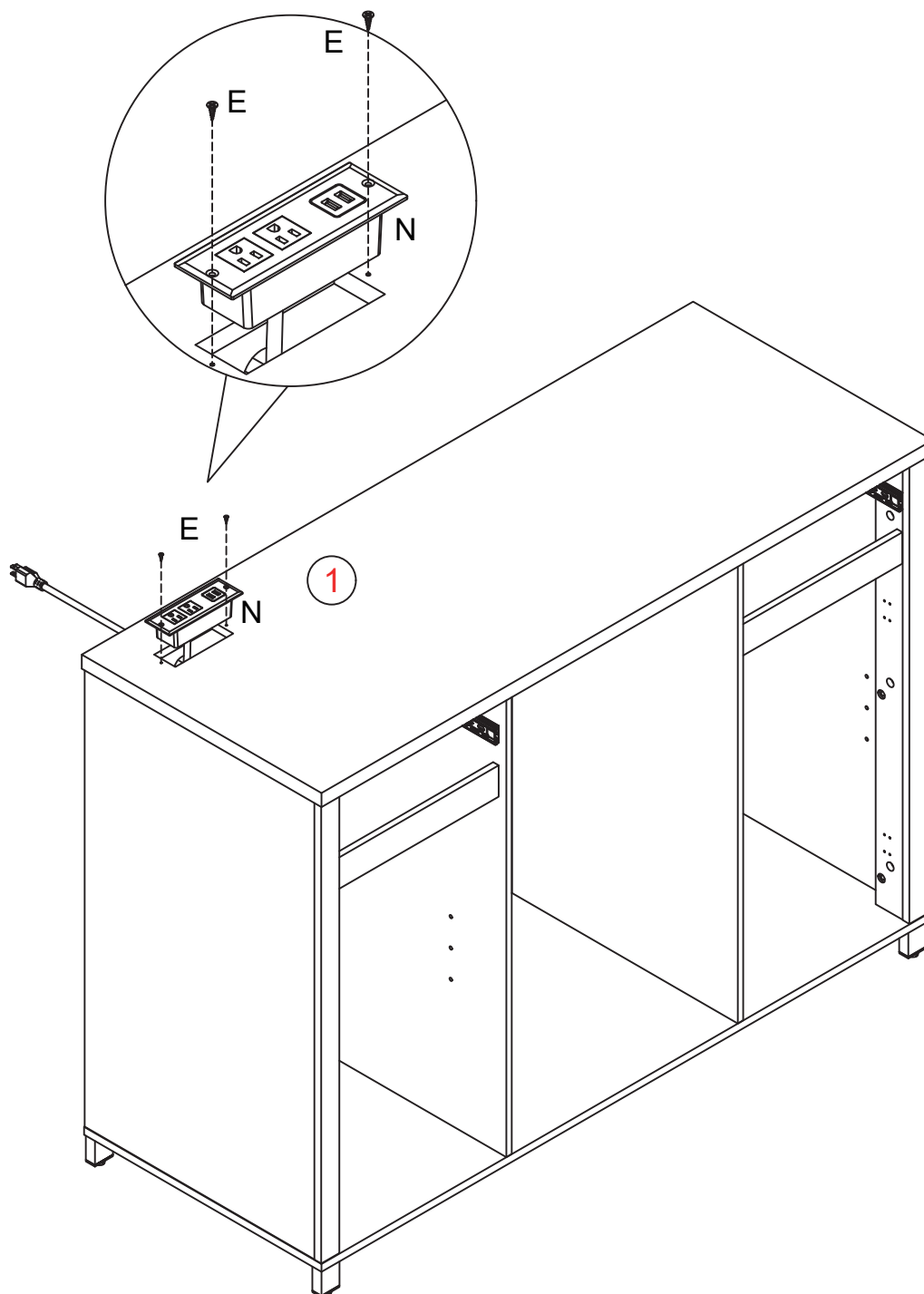
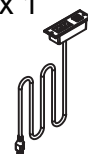
Install part N according to the diagram. Do not install it backwards.

E x 2

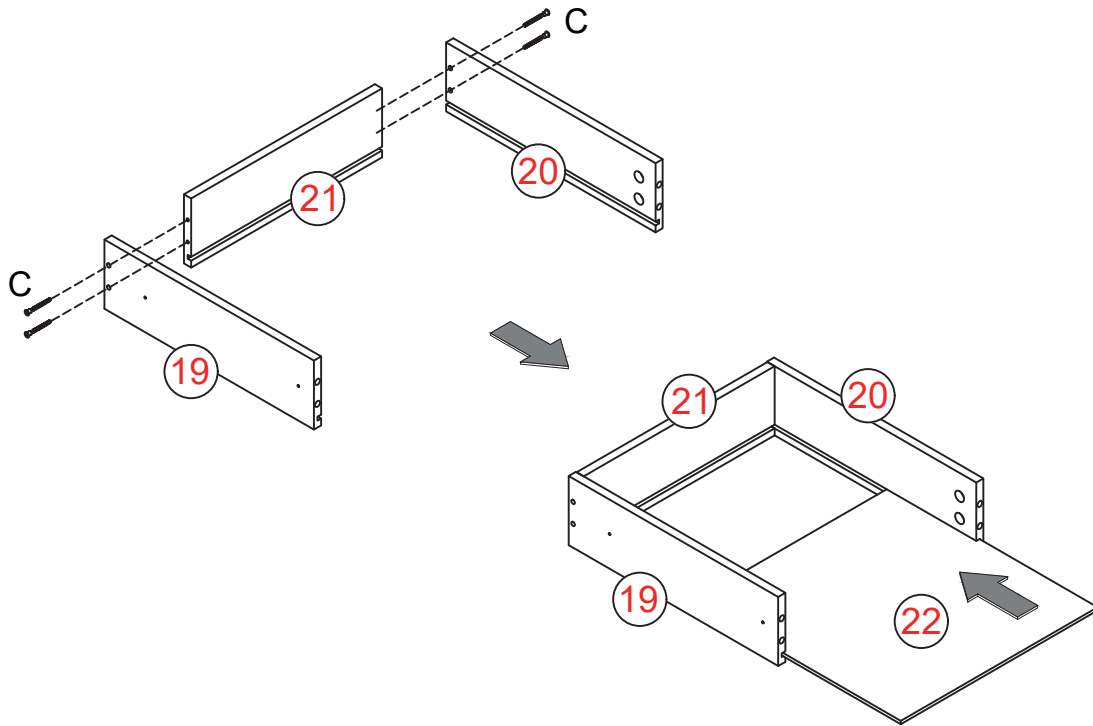


M3.5x14 mm

N x 1



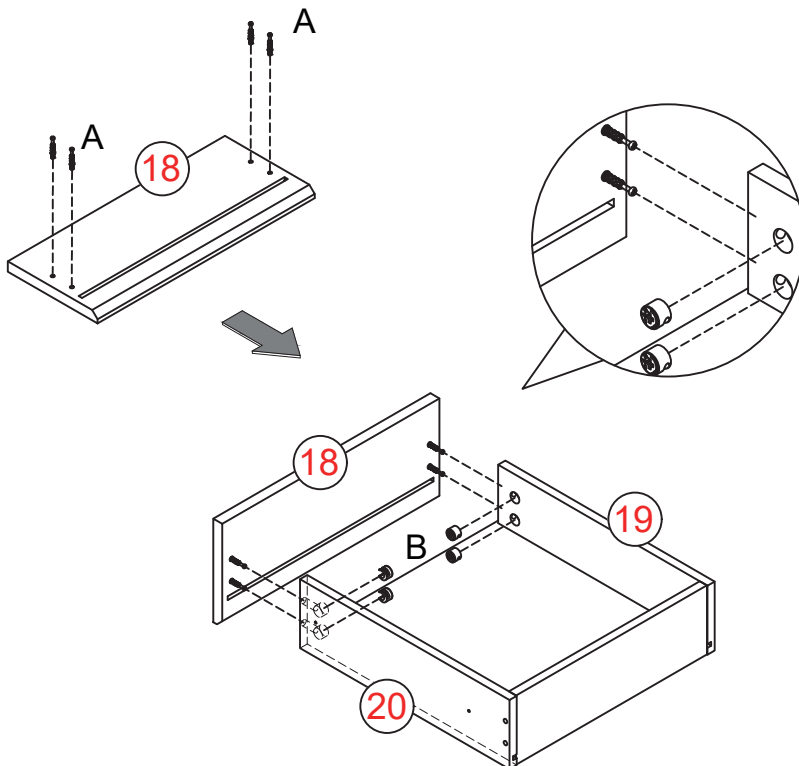
30



C x 8  
M5x40 mm

x 2



31

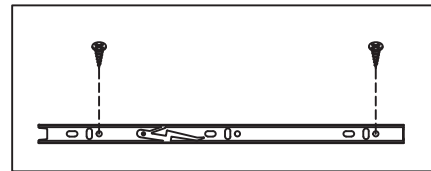
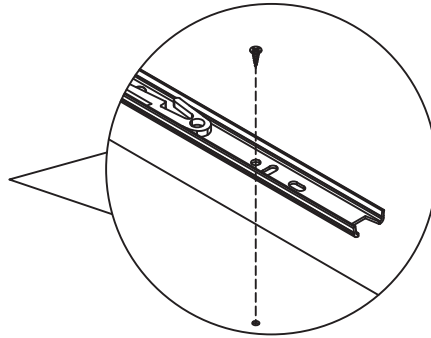
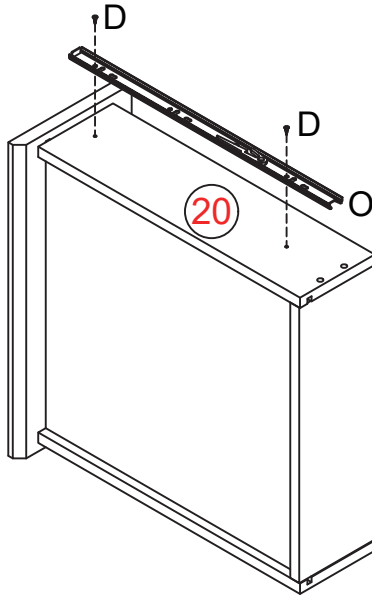


A x 8  
M5x35 mm  
B x 8  
Ø15x10 mm

x 2



32

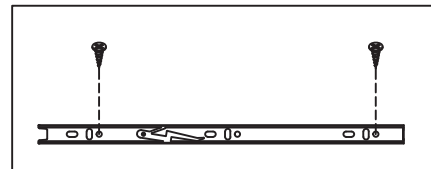
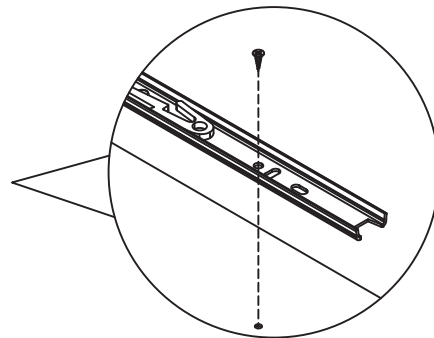
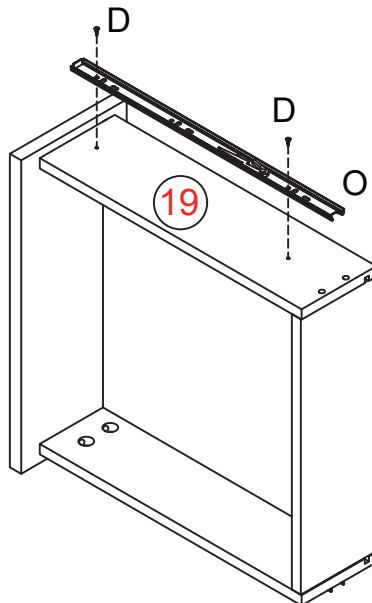
D x 4	O x 2
	
M3.5x12 mm	14"-3508



x 2

33

D x 4	O x 2
	
M3.5x12 mm	14"-3508



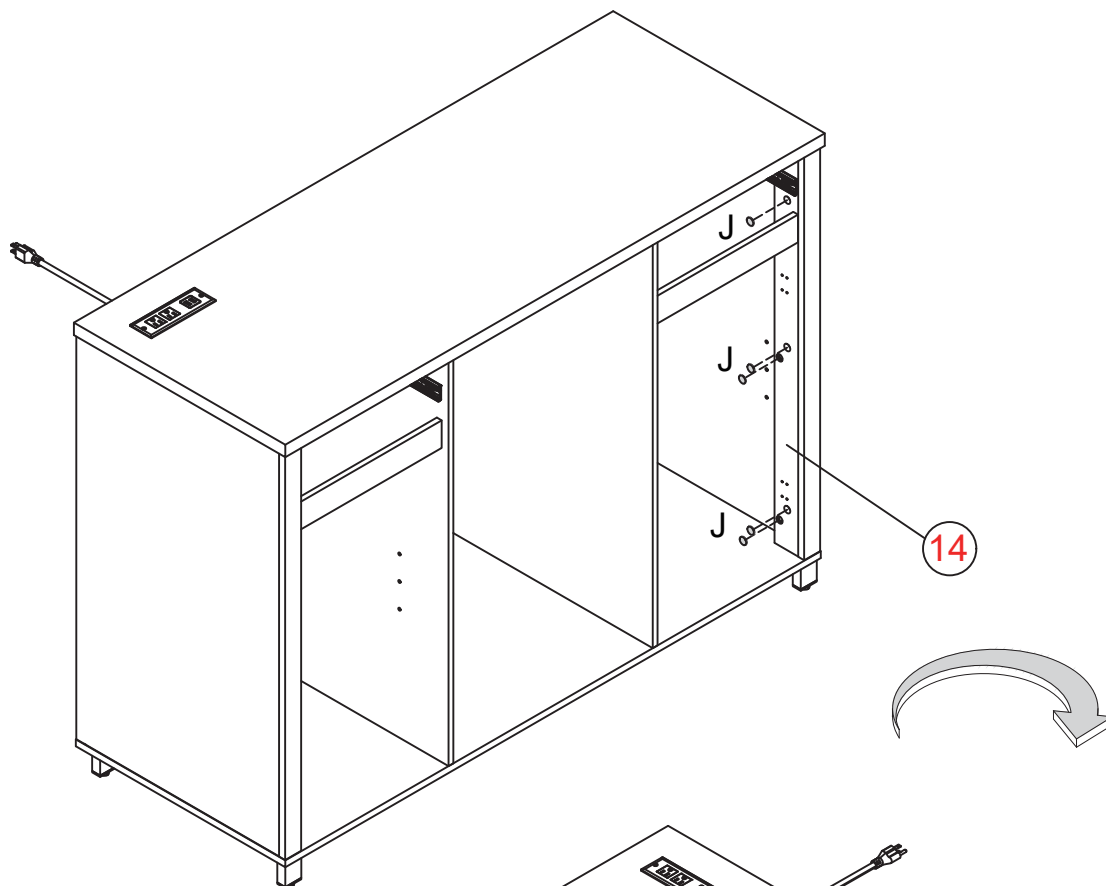
x 2

34

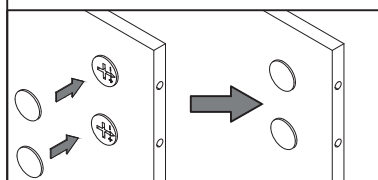
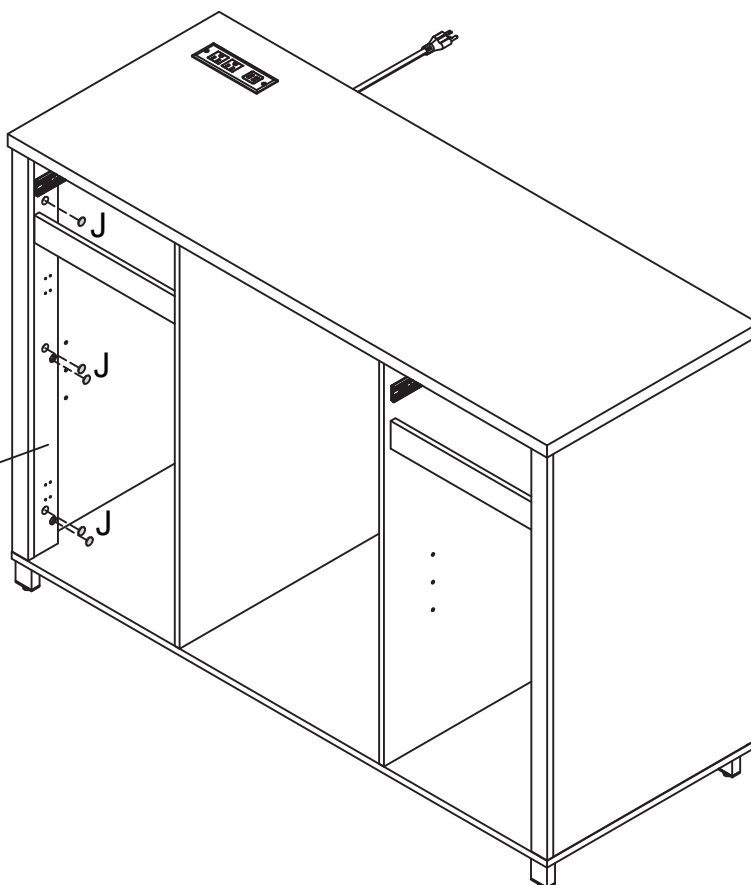
J x 10



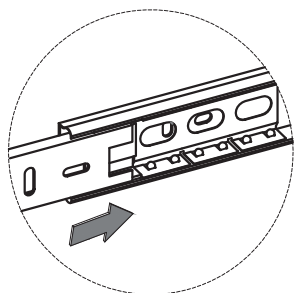
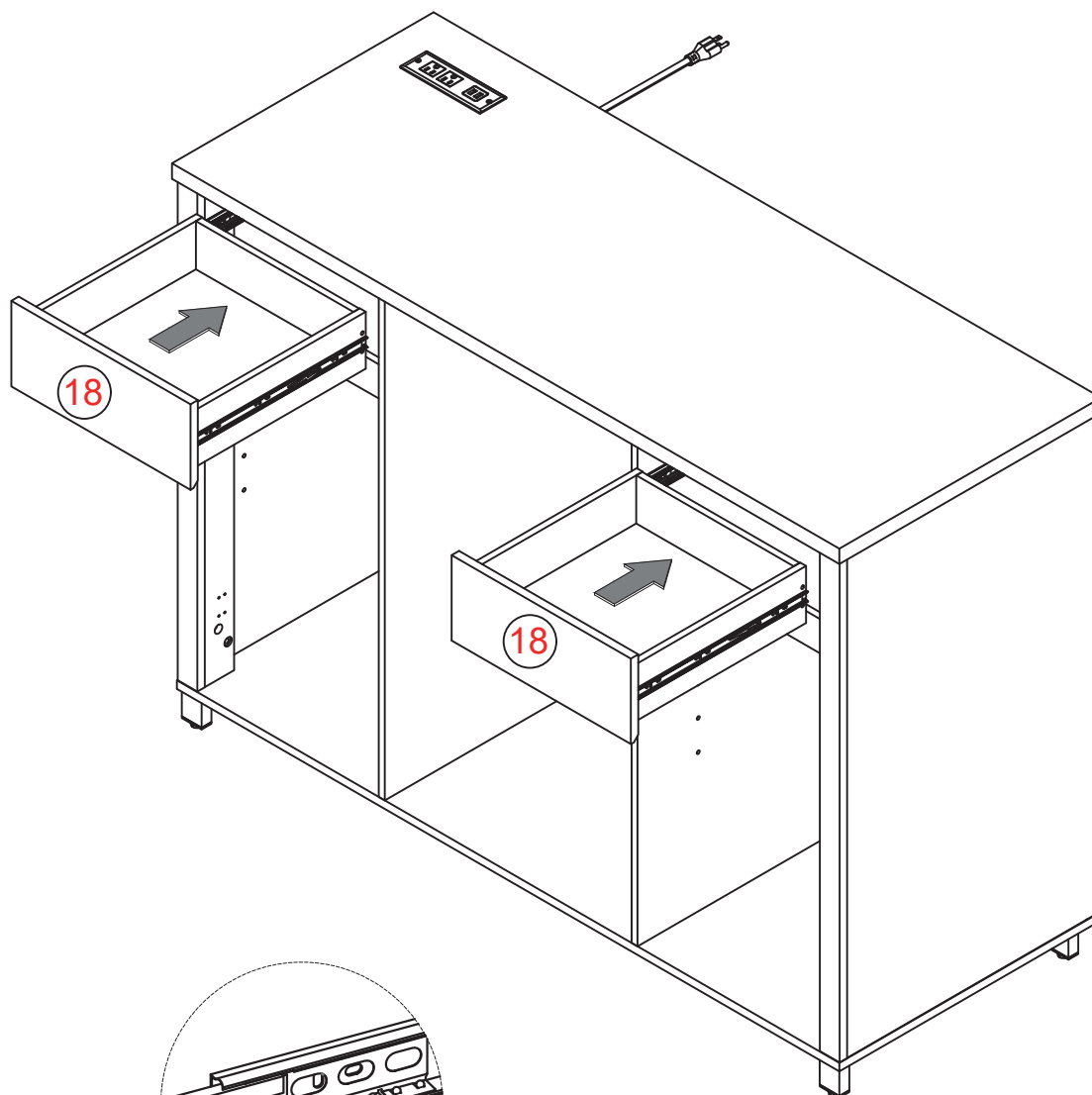
Ø21



13



35

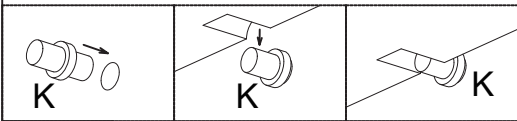
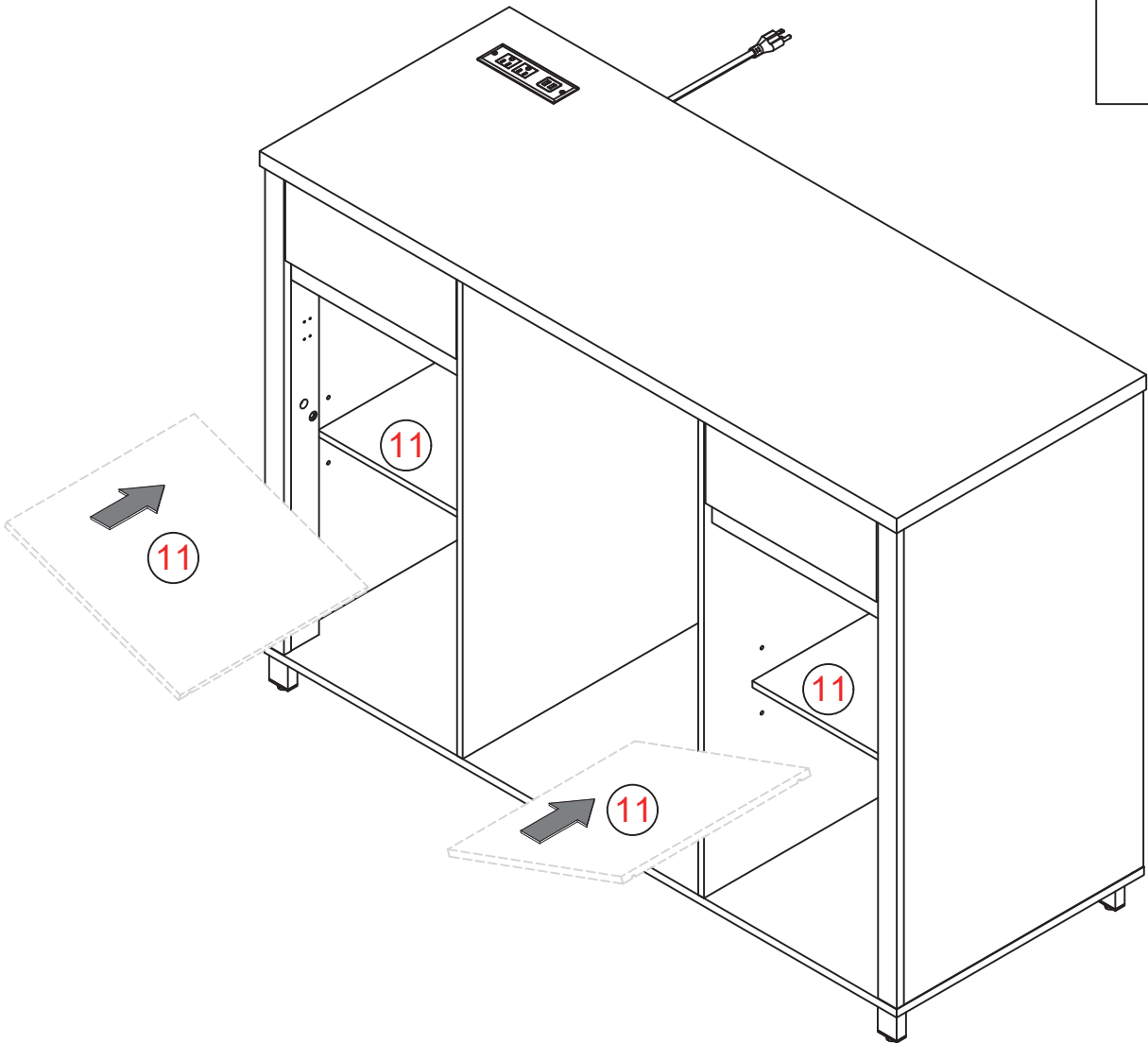


36

K x 8



Ø6



37

D x 8

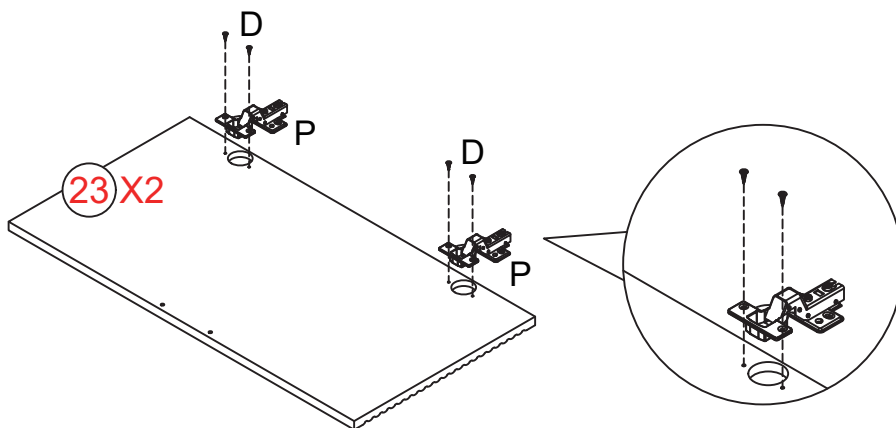



M3.5x12 mm

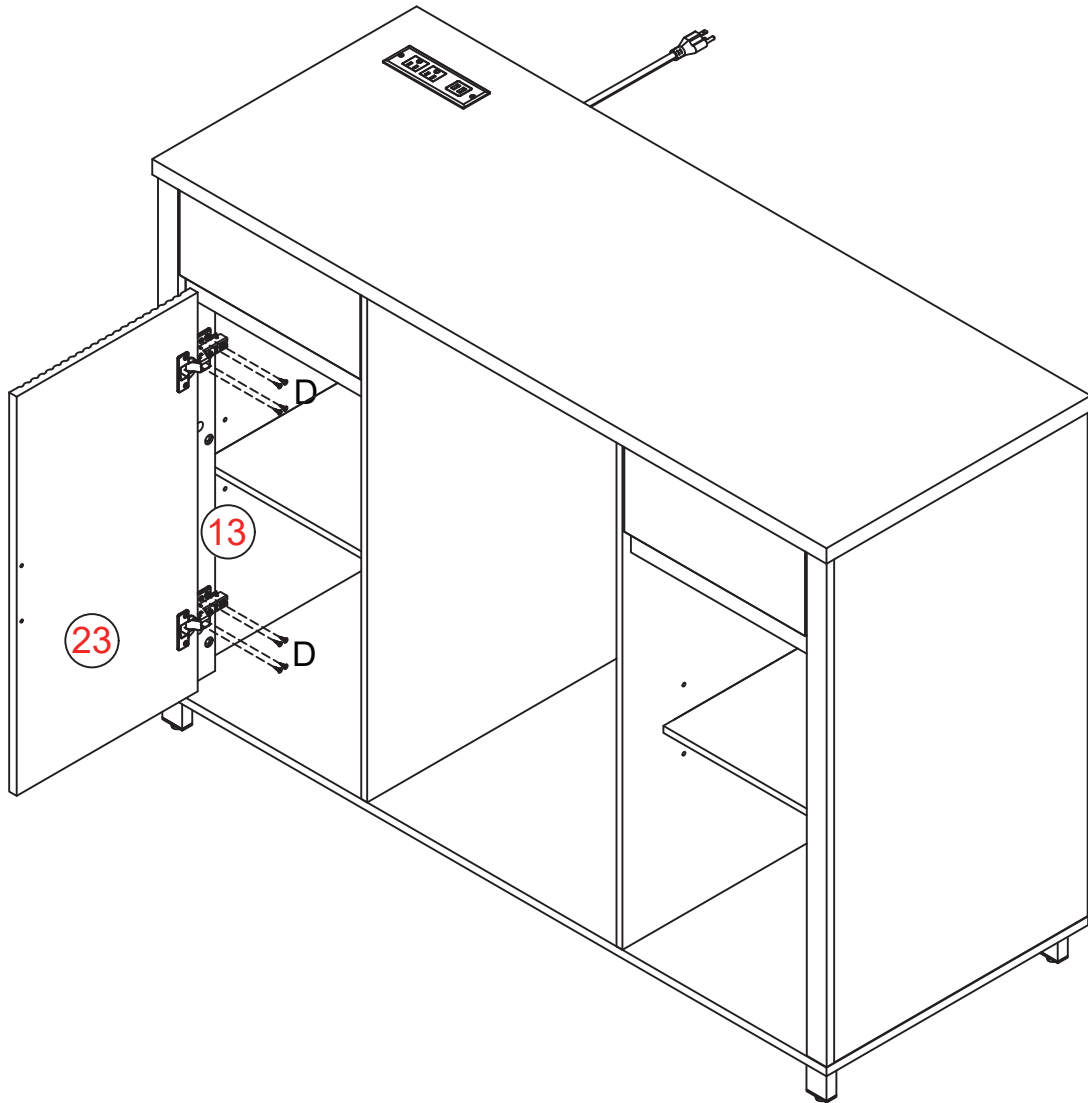
P x 4



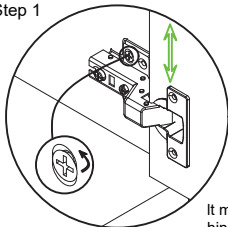
12 mm



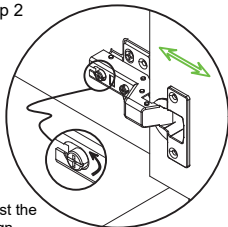
D x 8  
  
M3.5x12 mm



Step 1

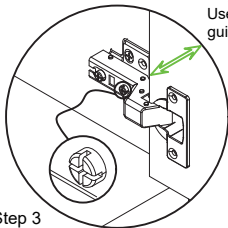


Step 2

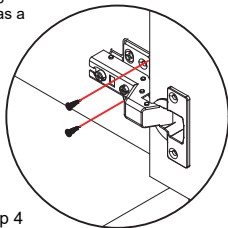


It may be necessary to adjust the hinges so that the doors align. Use the instructions below as a guide

Step 3

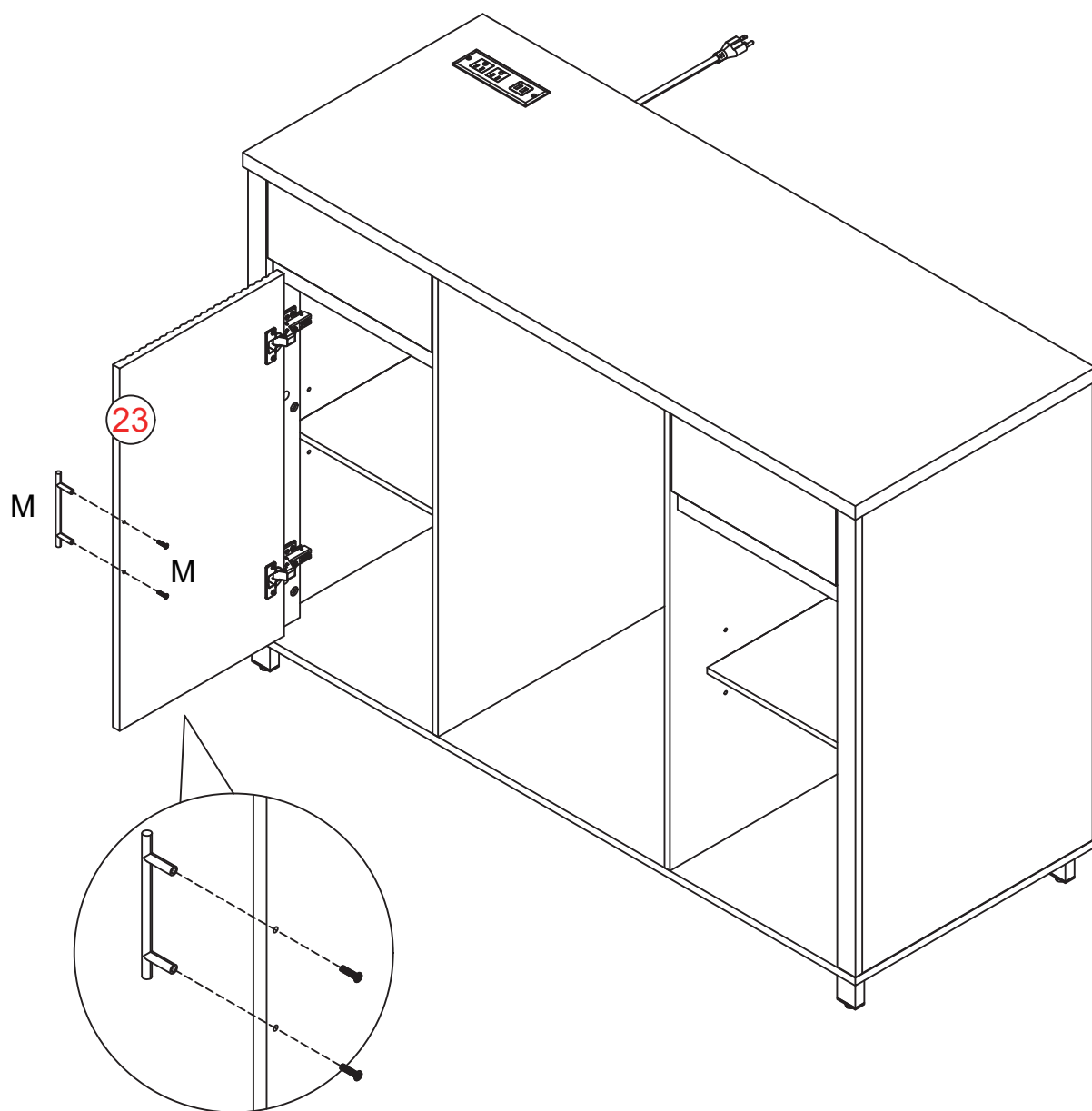


Step 4



39

M x 1  
0150-96  
M4x18 mm

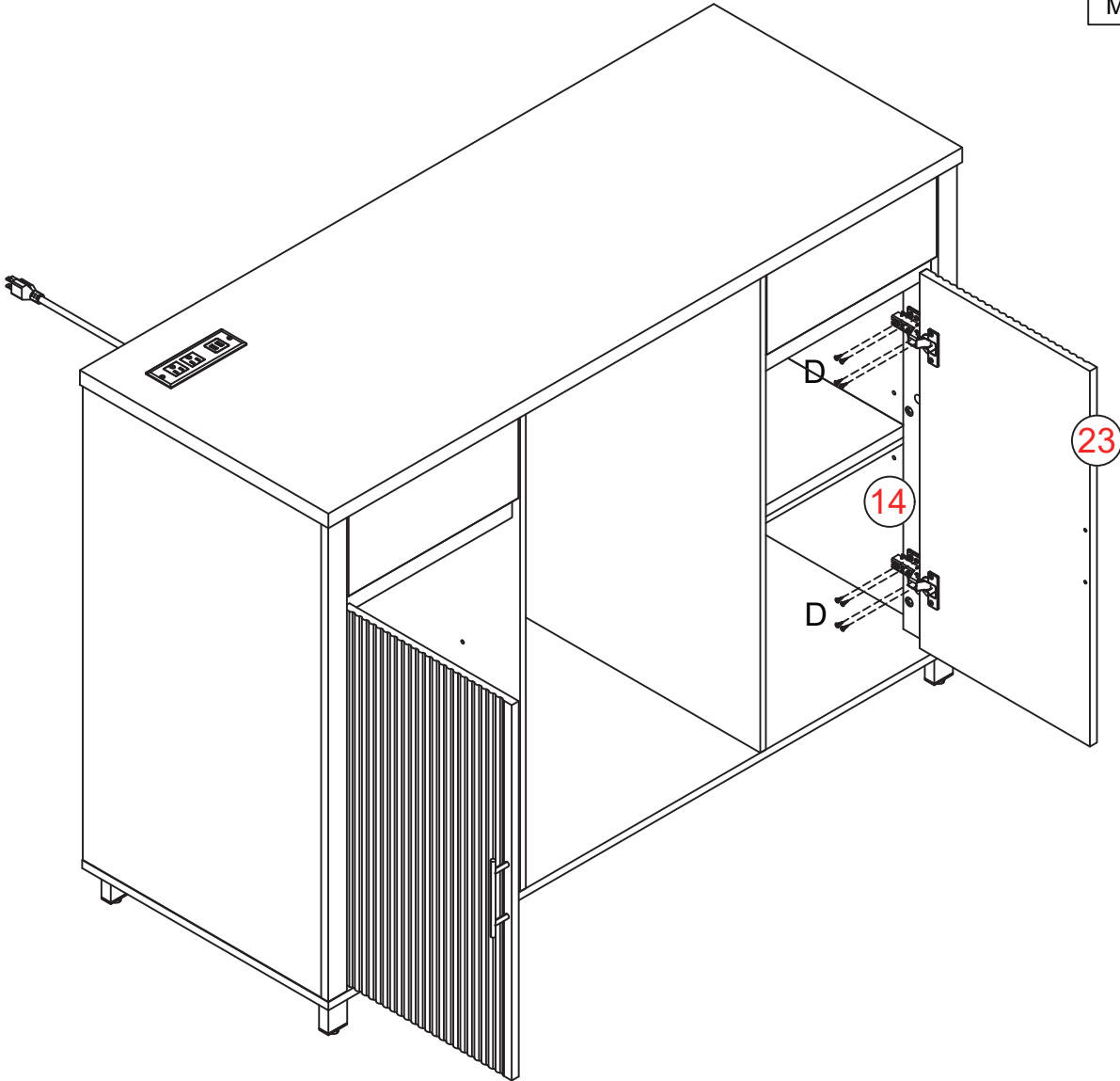


40

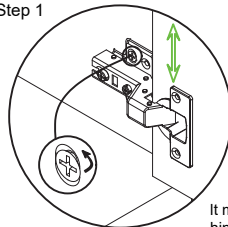
D x 8



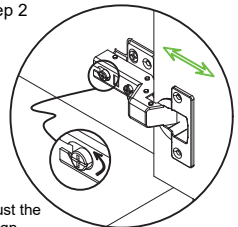
M3.5x12 mm



Step 1

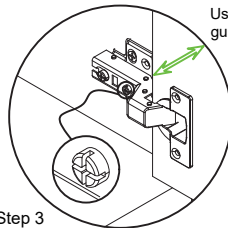


Step 2

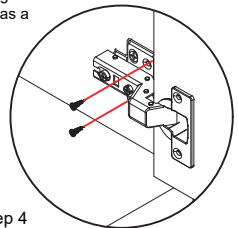


It may be necessary to adjust the hinges so that the doors align. Use the instructions below as a guide

Step 3



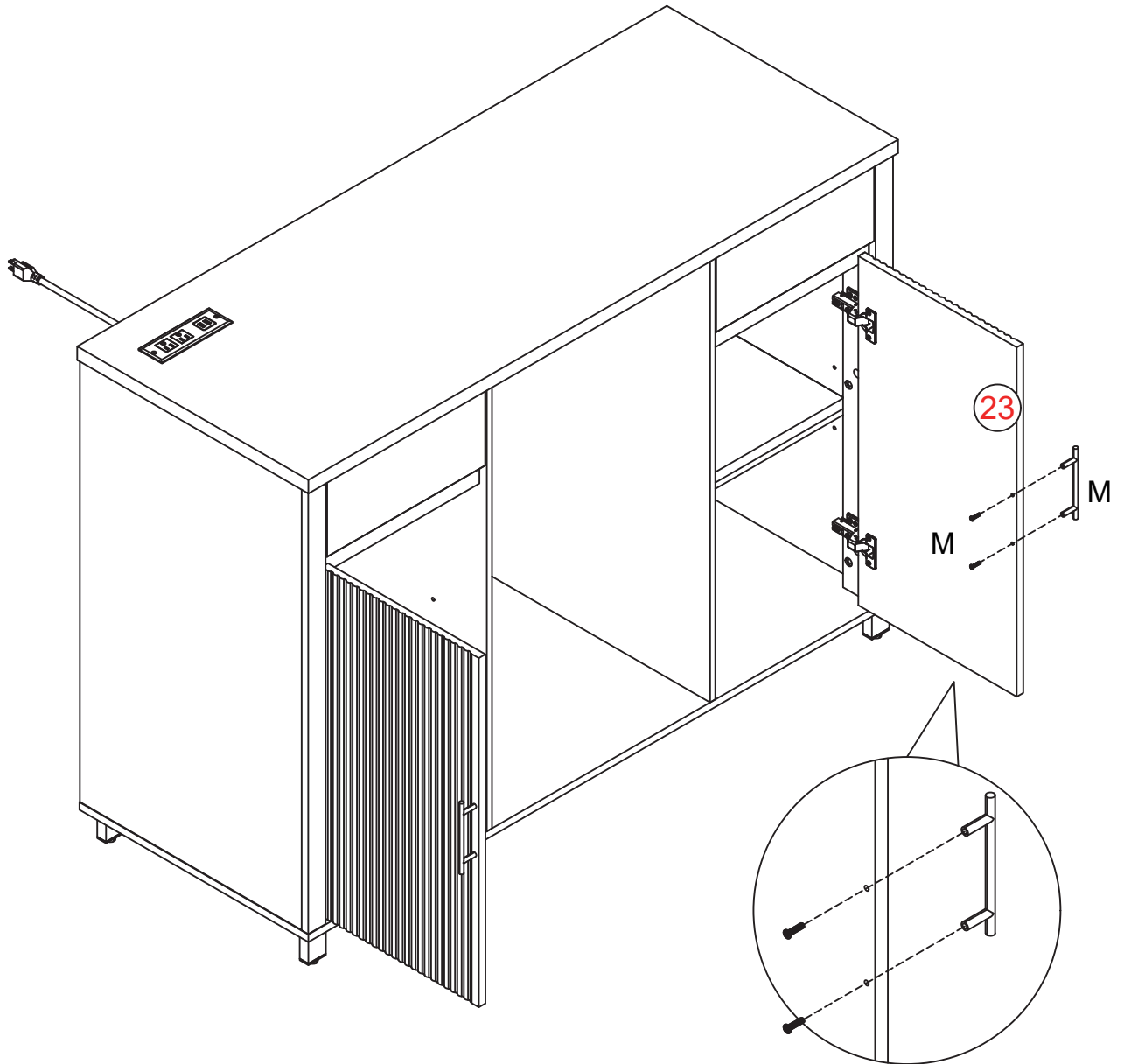
Step 4



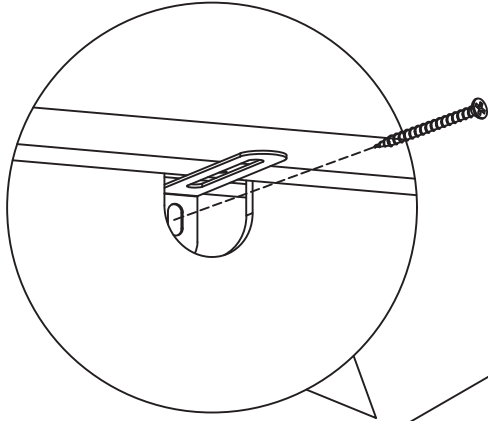


41

M x 1  
0150-96  
M4x18 mm



42



L x 2

Ø8x60 mm  
M5x55 mm

