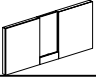
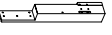
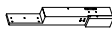
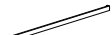







LIBERTY FURNITURE

ASSEMBLY INSTRUCTION

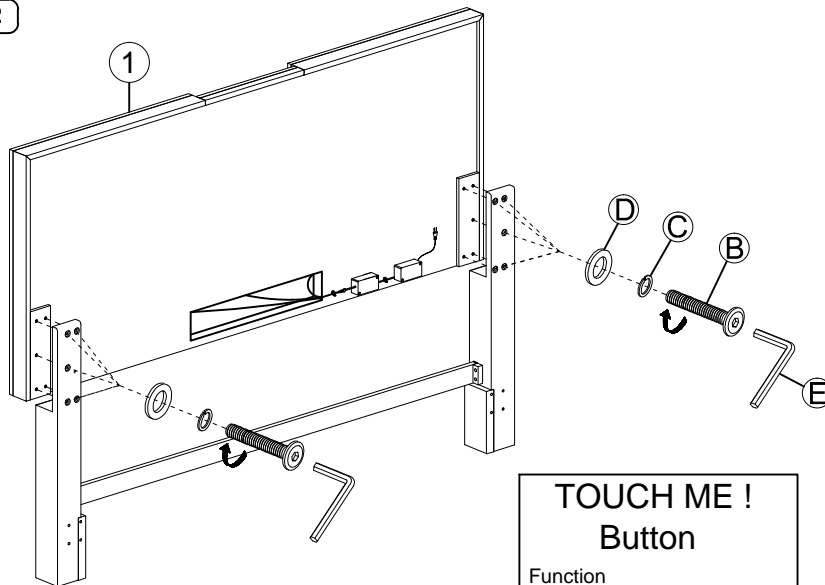
DESCRIPTION: KING TRAVERTINE PANEL HB (with LIGHT)

Thank you for purchasing this quality product. Be sure to check all packing material carefully for small Hardware which may have come loose inside the carton during shipment. Identify and count all Hardware and compare with the Hardware List Below.

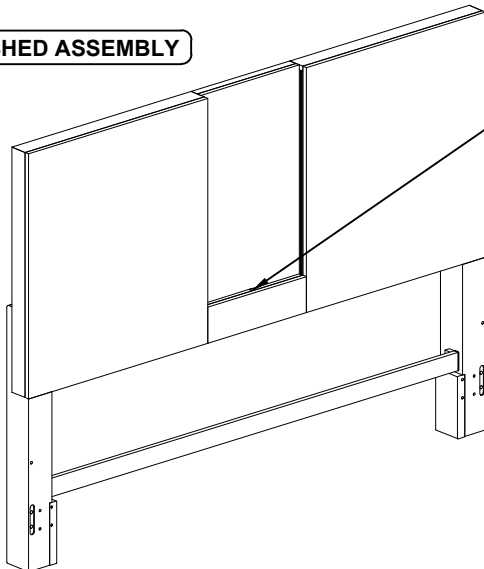
PARTS LIST			
No.	Description		Qty.
①	Headboard		1 Pc
②	LSF Leg		1 Pc
③	RSF Leg		1 Pc
④	Bottom Rail		1 Pc

ASSEMBLY HARDWARE PACK OF HEADBOARD			
No.	Description	Hardware	Qty.
(A)	JCBC Screw $\varnothing 1/4"$ x 40mm		4 Pcs
(B)	JCBC Screw $\varnothing 1/4"$ x 50mm		10 Pcs
(C)	Spring Washer $\varnothing 1/4"$		14 Pcs
(D)	Flat Washer $\varnothing 1/4"$ x 19mm x 2mm		14 Pcs
(E)	Allen Key M4		1 Pc

STEP 2



FINISHED ASSEMBLY



STEP 1

