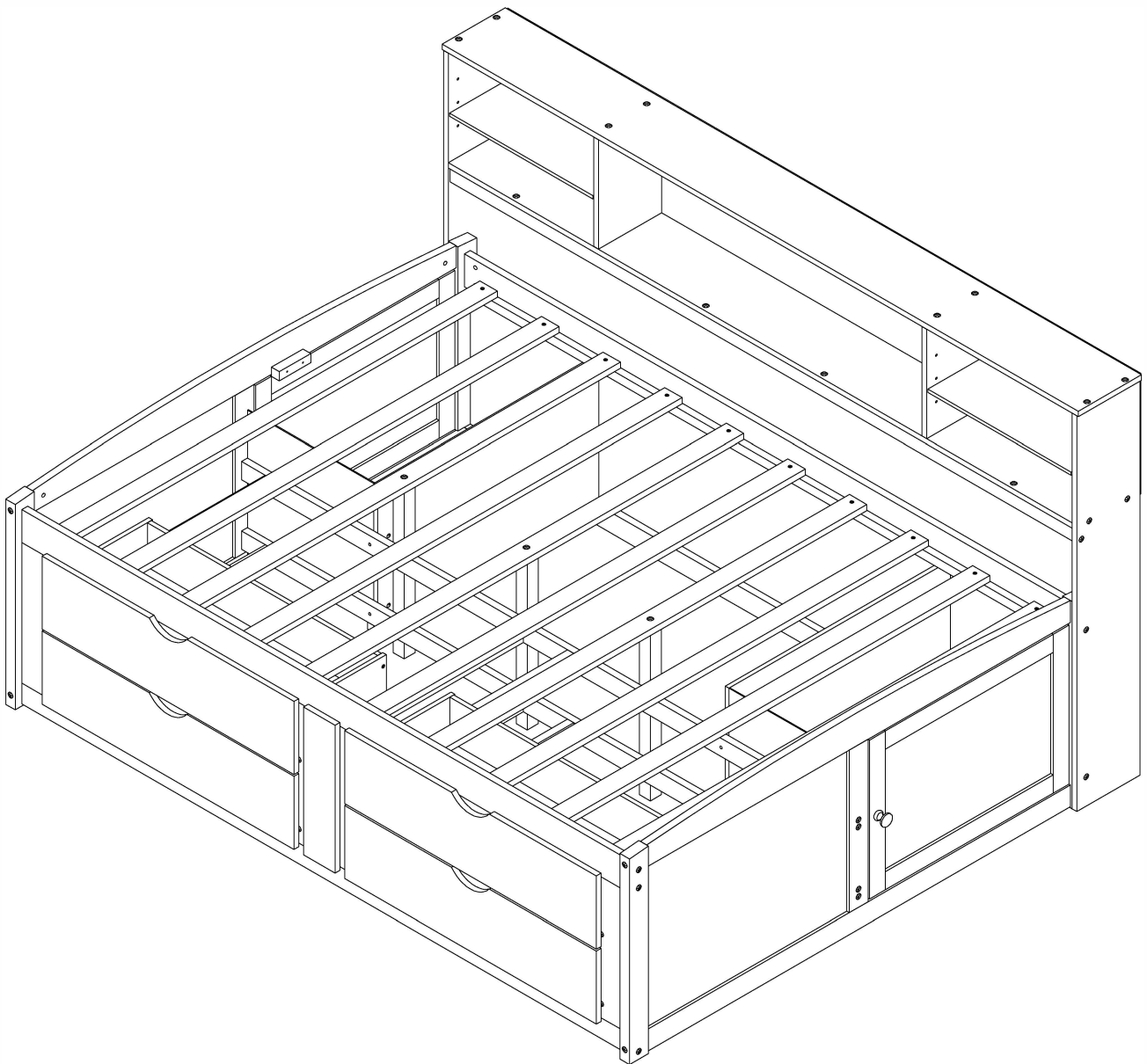


ASSEMBLY INSTRUCTION

This set includes 2 boxes if don't receive full 2 boxes please contact our customer service team



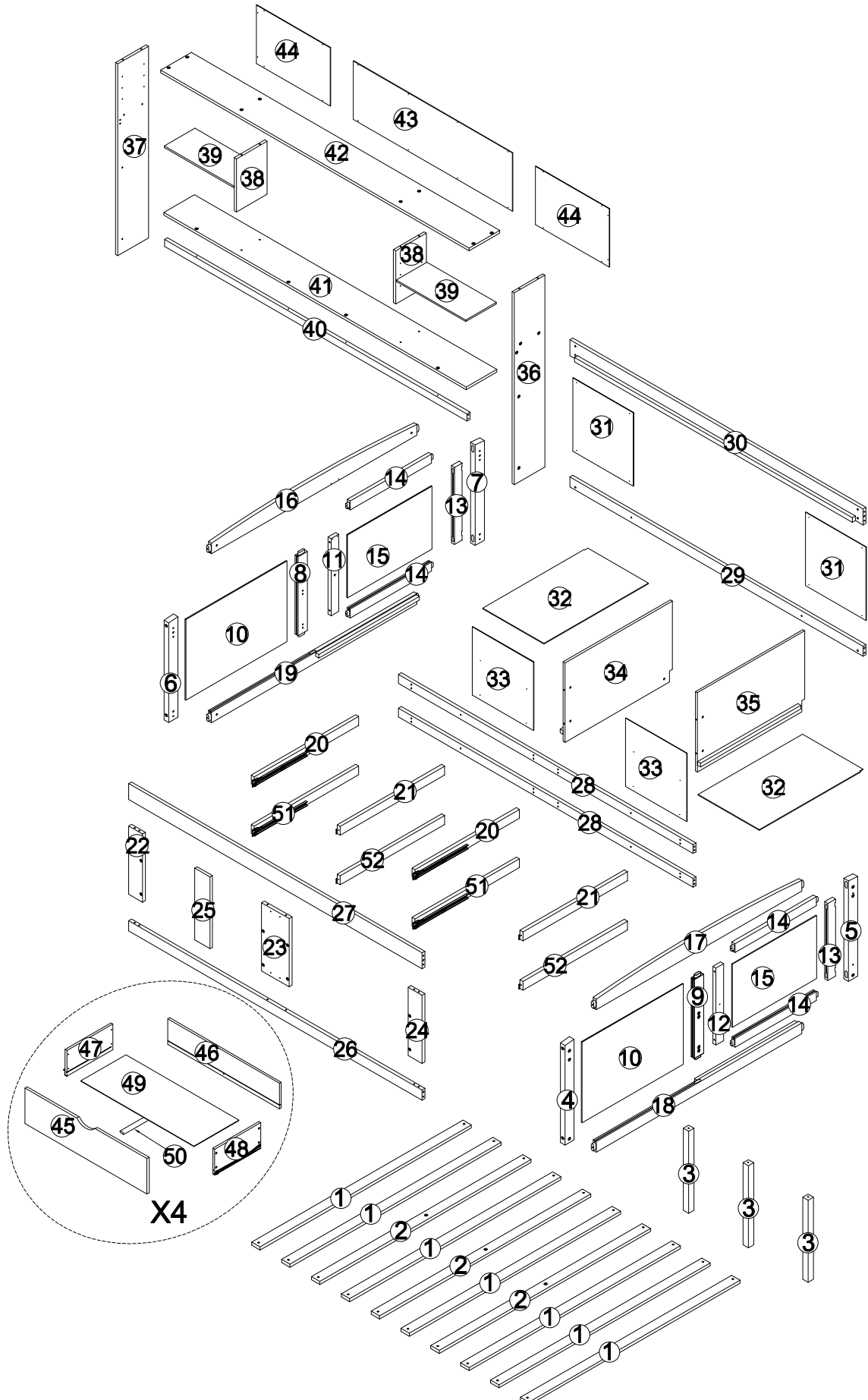
SAFETY WARNINGS AND GENERAL NOTES:

- 1. Do not use substitute parts. Contact the manufacturer or dealer for replacement parts.**
- 2. Keep these instructions for future reference.**
- 3. We recommend assembling your bed on the shipping carton to protect your floor or carpet.**
- 4. Be certain all staples are out of the box before beginning assembly on the shipping carton.**

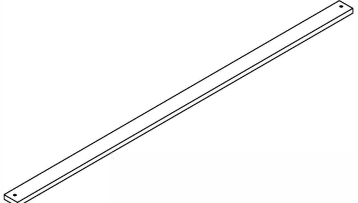
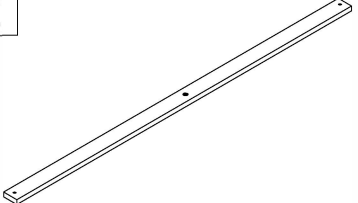









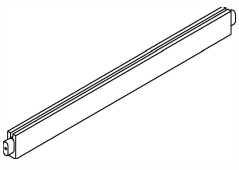
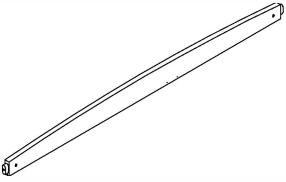
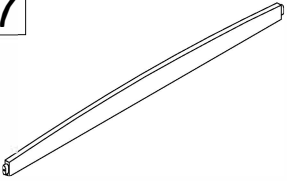

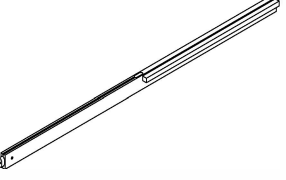
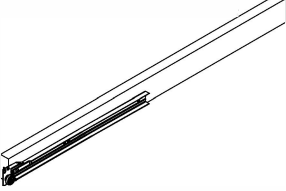
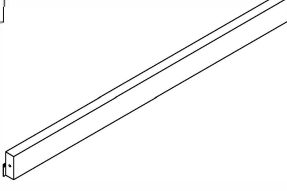



5.Replacement Parts:

Replacement Parts, including additional guardrails, may be obtained from any of our (GIGACLOUD TECHNOLOGY (USA) INC.) dealers

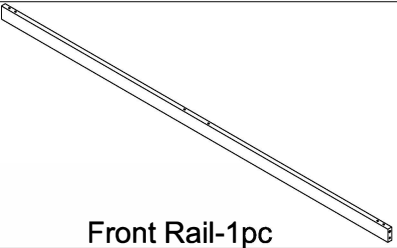
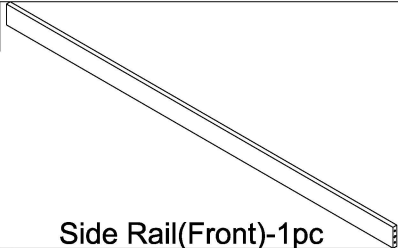
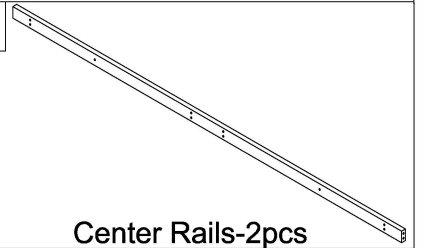
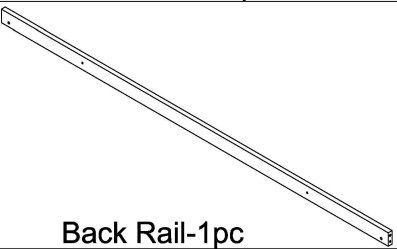
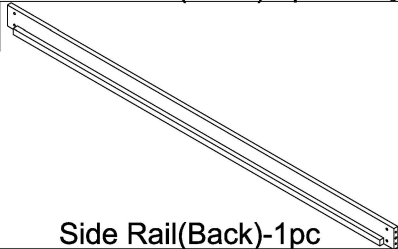
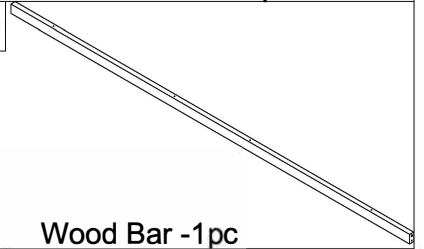
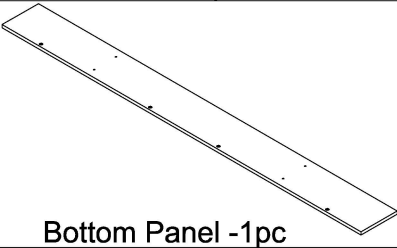
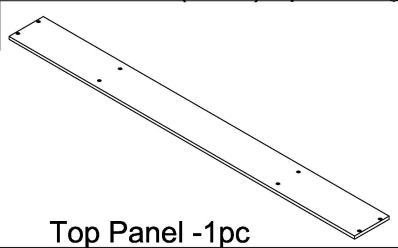
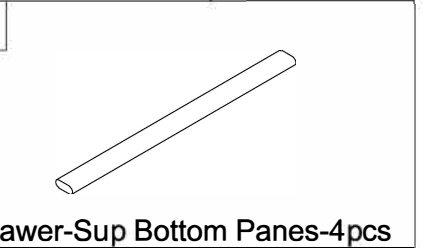
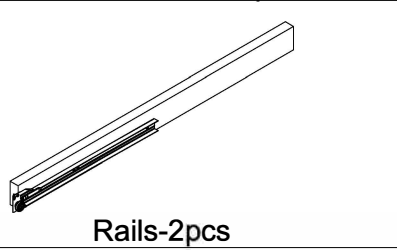
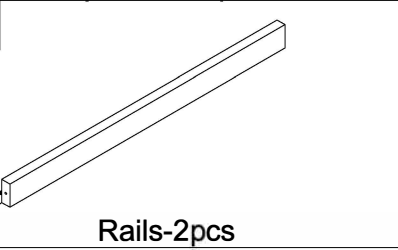
ASSEMBLY INSTRUCTION




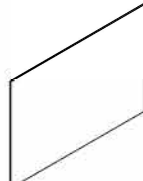
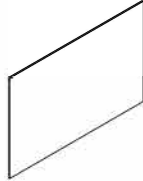

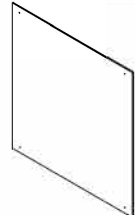
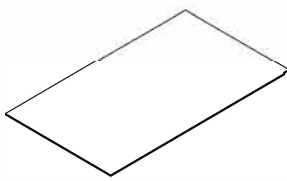
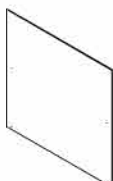
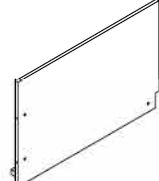
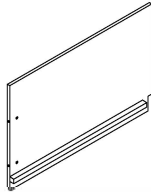


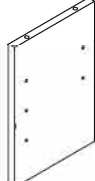
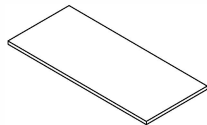
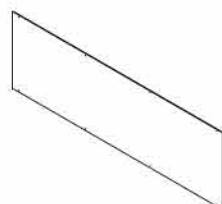
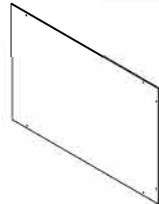
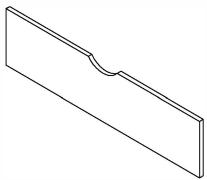
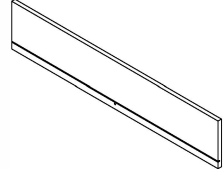
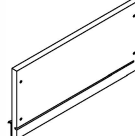

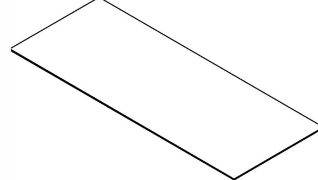
Part List (Box 1)

<p>1</p>  <p>Slats-7pcs</p>	<p>2</p>  <p>Slats-3pcs</p>	<p>4</p>  <p>Leg-1pc</p>
<p>5</p>  <p>Leg-1pc</p>	<p>6</p>  <p>Leg-1pc</p>	<p>7</p>  <p>Leg-1pc</p>
<p>8</p>  <p>Vetical Bar -1pc</p>	<p>9</p>  <p>Vetical Bar -1pc</p>	<p>11</p>  <p>Door-Vetical Bar -1pc</p>
<p>12</p>  <p>Door-Vetical Bar -1pc</p>	<p>13</p>  <p>Door-Vetical Bars -2pcs</p>	<p>14</p>  <p>Door-Horizontal Bars -4pcs</p>
<p>16</p>  <p>Horizontal Bar -1pc</p>	<p>17</p>  <p>Horizontal Bar -1pc</p>	<p>18</p>  <p>Horizontal Bar -1pc</p>
<p>19</p>  <p>Horizontal Bar -1pc</p>	<p>20</p>  <p>Rails-2pcs</p>	<p>21</p>  <p>Rails-2pcs</p>
<p>22</p>  <p>Rail-1pc</p>	<p>23</p>  <p>Rail-1pc</p>	<p>24</p>  <p>Rail-1pc</p>

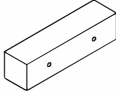

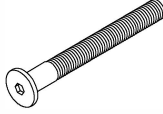

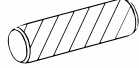
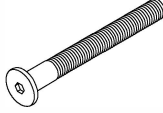
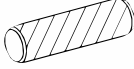

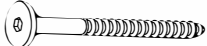


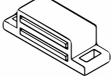
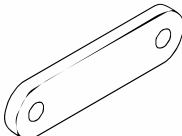
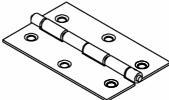

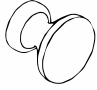
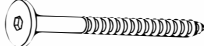
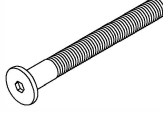
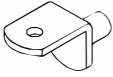

Part List (Box 1)

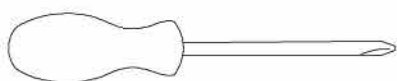
<p>26</p>  <p>Front Rail-1pc</p>	<p>27</p>  <p>Side Rail(Front)-1pc</p>	<p>28</p>  <p>Center Rails-2pcs</p>
<p>29</p>  <p>Back Rail-1pc</p>	<p>30</p>  <p>Side Rail(Back)-1pc</p>	<p>40</p>  <p>Wood Bar -1pc</p>
<p>41</p>  <p>Bottom Panel -1pc</p>	<p>42</p>  <p>Top Panel -1pc</p>	<p>50</p>  <p>Drawer-Sup Bottom Panes-4pcs</p>
<p>51</p>  <p>Rails-2pcs</p>	<p>52</p>  <p>Rails-2pcs</p>	

Part List & Hardware List (Box 2)

<p>3</p>  <p>Support Slats-3pcs</p>	<p>10</p>  <p>Panels -2pcs</p>	<p>15</p>  <p>Door-Panels -2pcs</p>
<p>25</p>  <p>Rail-1pc</p>	<p>31</p>  <p>Back Panels-2pcs</p>	<p>32</p>  <p>Bottom Panels-2pcs</p>
<p>33</p>  <p>Center Panels -2pcs</p>	<p>34</p>  <p>Center Panel -1pc</p>	<p>35</p>  <p>Center Panel -1pc</p>
<p>36</p>  <p>Side Panel -1pc</p>	<p>37</p>  <p>Side Panel -1pc</p>	<p>38</p>  <p>Center Panels -2pcs</p>
<p>39</p>  <p>Remove Panels -2pcs</p>	<p>43</p>  <p>Back Panel -1pc</p>	<p>44</p>  <p>Back Panels -2pcs</p>
<p>45</p>  <p>Drawer-Front Panels-4pcs</p>	<p>46</p>  <p>Drawer-Back Panels-4pcs</p>	<p>47</p>  <p>Drawer-Side Panels-4pcs</p>
<p>48</p>  <p>Drawer-Side Panels-4pcs</p>	<p>49</p>  <p>Drawer-Bottom Panels-4pcs</p>	

Hardware List (Box 2)

<p>A</p>  <p>Stop Door 2pcs</p>	<p>B</p>  <p>M4 x 30 mm Wood Screws 64pcs</p>	<p>C</p>  <p>Ø1/4" x 100 mm Hex-Head bolts 8pcs</p>
<p>D</p>  <p>Ø1/4" x 13 mm Horizontal-Hole bolts 34pcs</p>	<p>E</p>  <p>Ø8 x 30 mm Wood dowel 14pcs</p>	<p>F</p>  <p>Ø1/4" x 80 mm Hex-Head bolts 12pcs</p>
<p>G</p>  <p>Ø10 x 40 mm Wood dowel 8pcs</p>	<p>H</p>  <p>Ø1/4" x 60 mm Hex-Head bolts 14pcs</p>	<p>K</p>  <p>Screws 1/4"x50" 30pcs</p>
<p>Z</p>  <p>M3 x 12 mm Wood Screws 36pcs</p>	<p>L</p>  <p>M4 x15 mm Wood Screws 42pcs</p>	<p>M</p>  <p>Door Catches(45x17x13) 2pcs</p>
<p>N</p>  <p>Magnet Inhaler -2pcs</p>	<p>P</p>  <p>Leaf hinge 4pcs</p>	<p>Q</p>  <p>Ø1/6" x 25 mm Hex-Head bolts 2pcs</p>
<p>R</p>  <p>Handle Wood 2pcs</p>	<p>T</p>  <p>Screws 1/4"x60mm 8pcs</p>	<p>U</p>  <p>Ø1/4" x 30 mm Hex-Head bolts 23pcs</p>
<p>V</p>  <p>Dowel Remove Shelves 8pcs</p>	<p>X</p>  <p>Allen Key 1pc</p>	

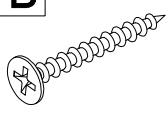
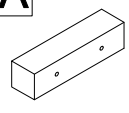
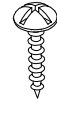
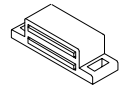


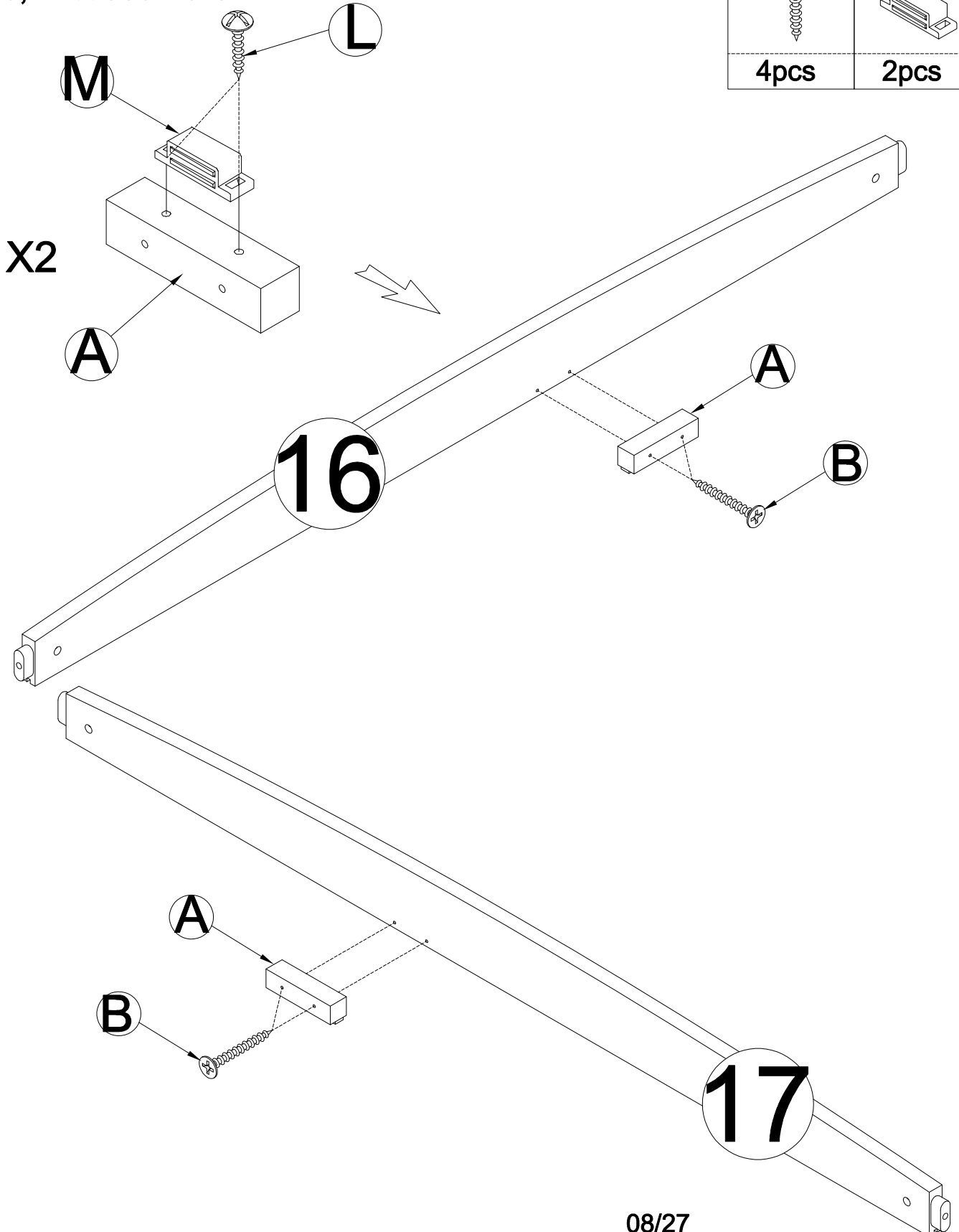
Assembly Tools Required (Not Included)

STEP 1: Following below illustration:

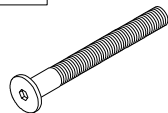
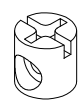
-Using HW # L to connect Stop Door #A with HW #M

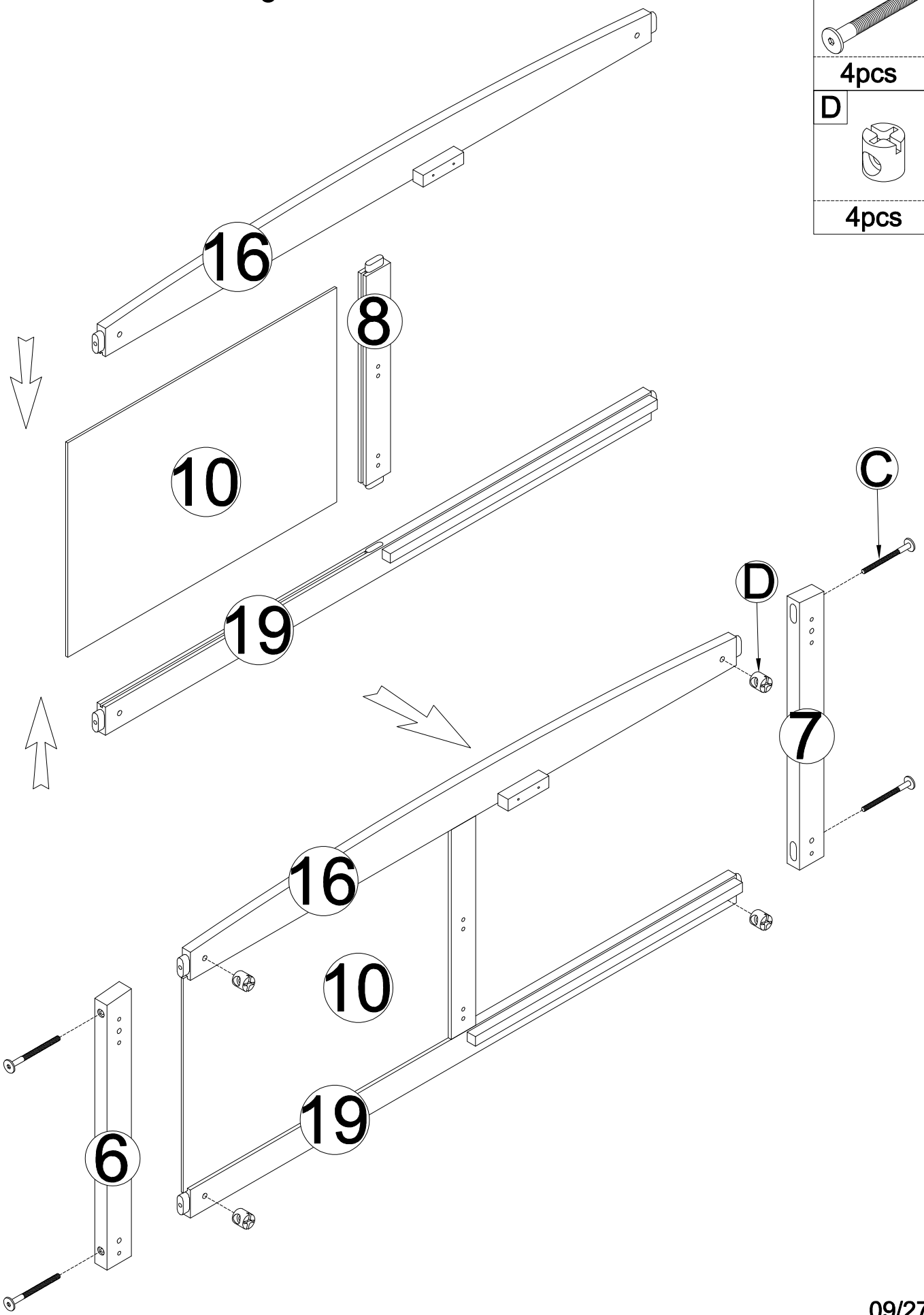
-Using HW #B to connect Stop Door #A with 16,17 Wood Bars

B 	A 
4pcs	2pcs
L 	M 
4pcs	2pcs

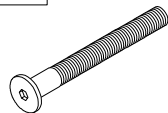
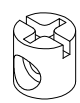


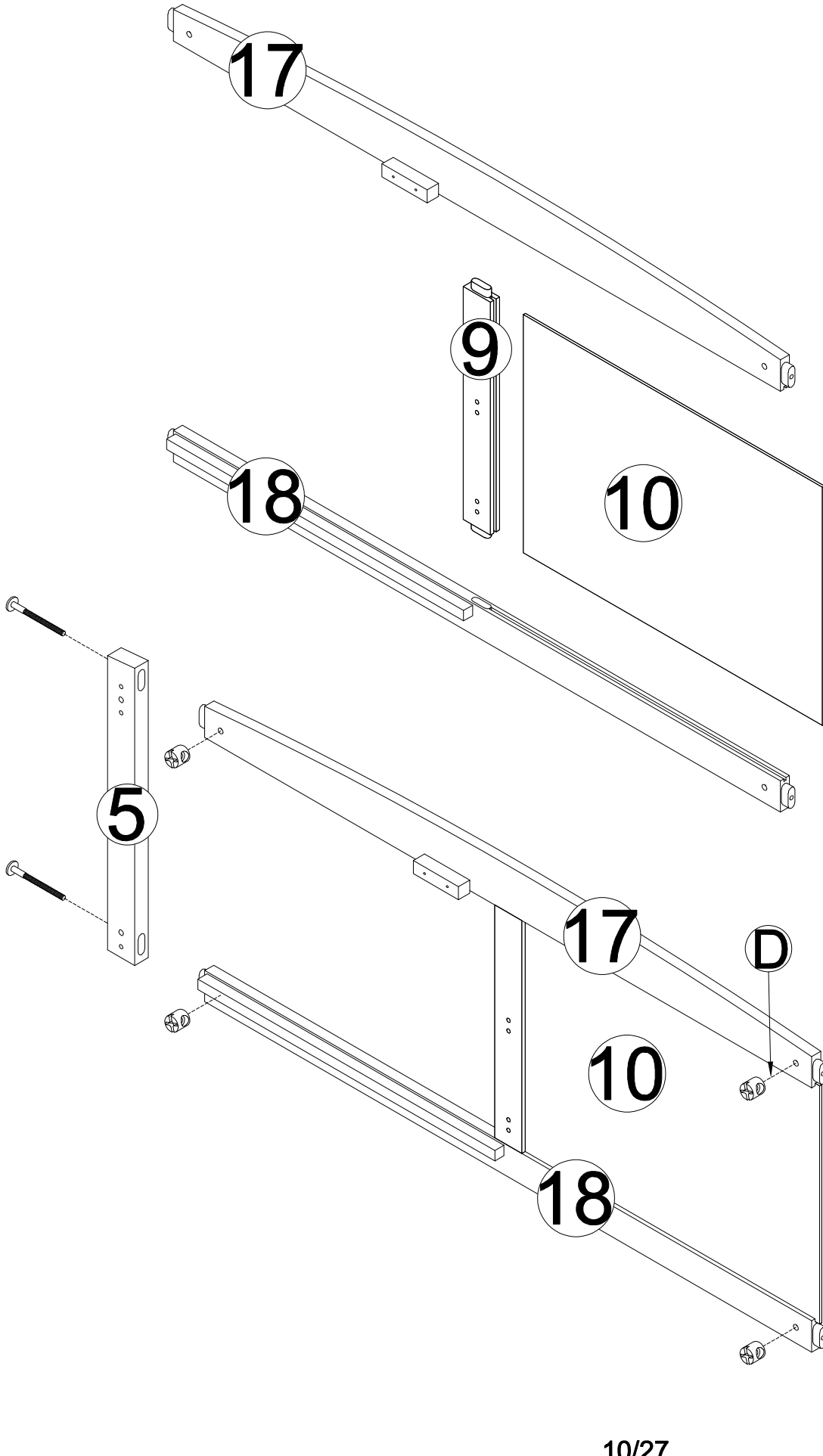
STEP 2: Following below illustration:

- C**

4pcs
- D**

4pcs

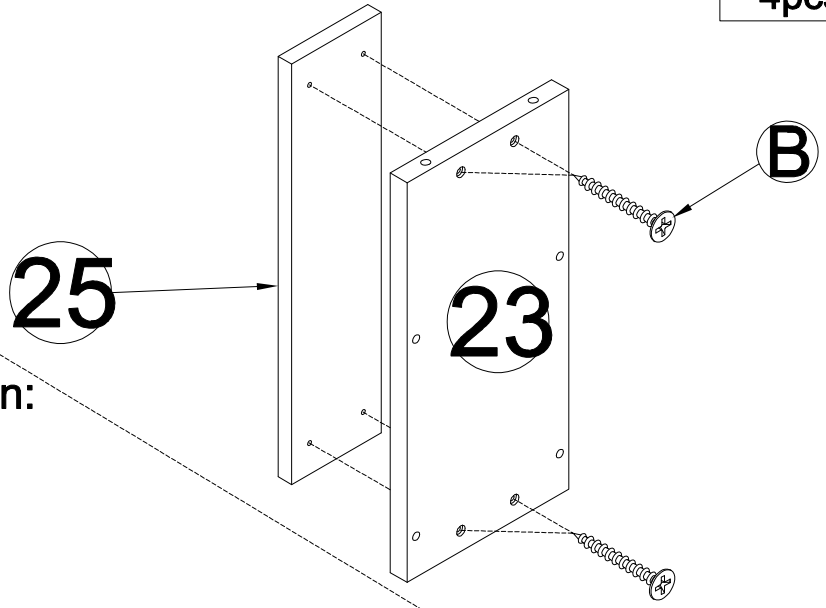
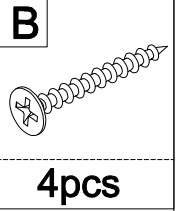


STEP 3: Following below illustration:

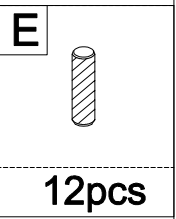
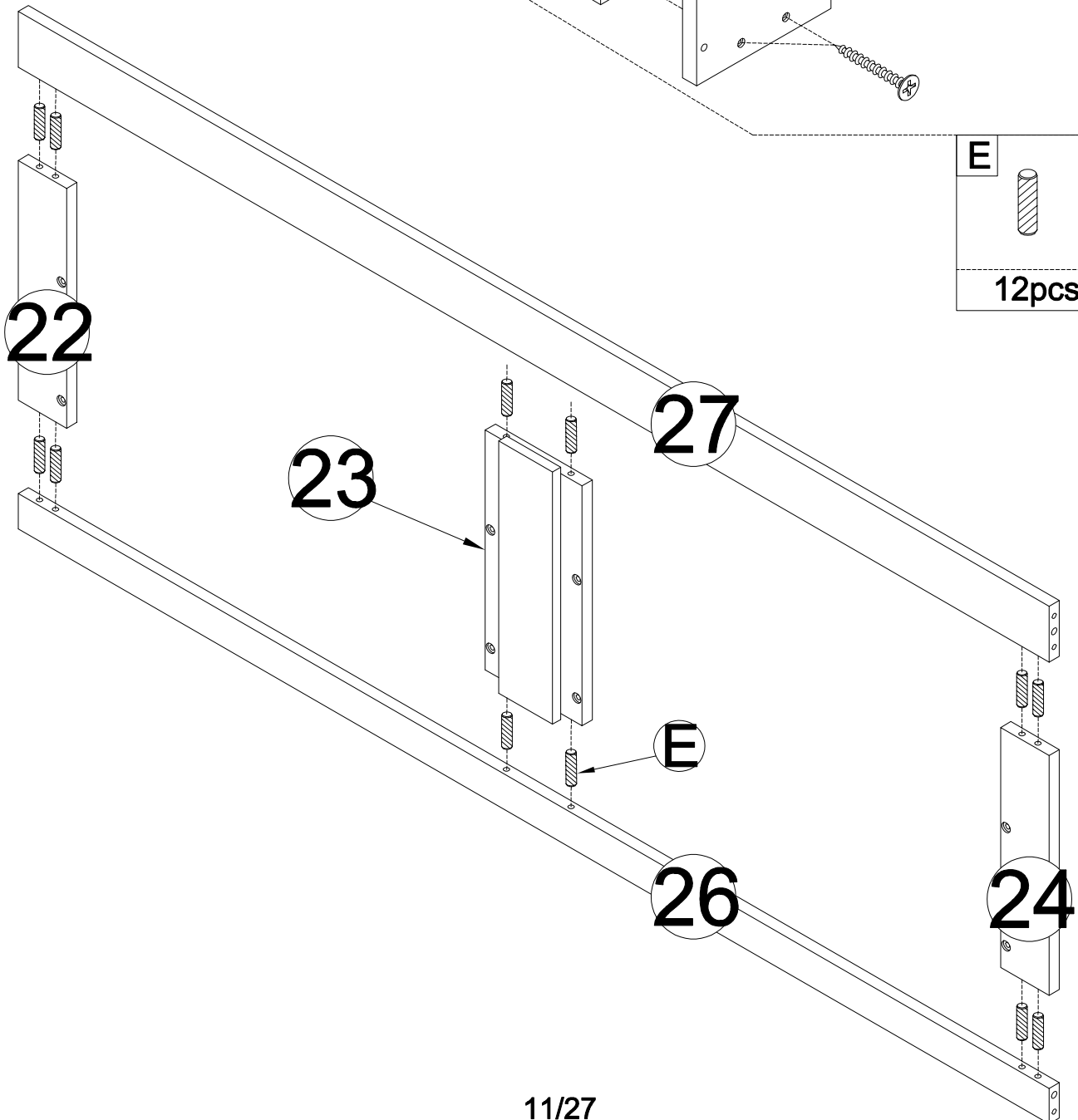
C	
	4pcs
D	
	4pcs



STEP 4-1: Following below illustration:
-Using HW #B to connect 23 Rail with 25 Rail

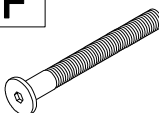

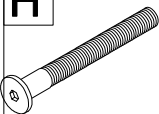



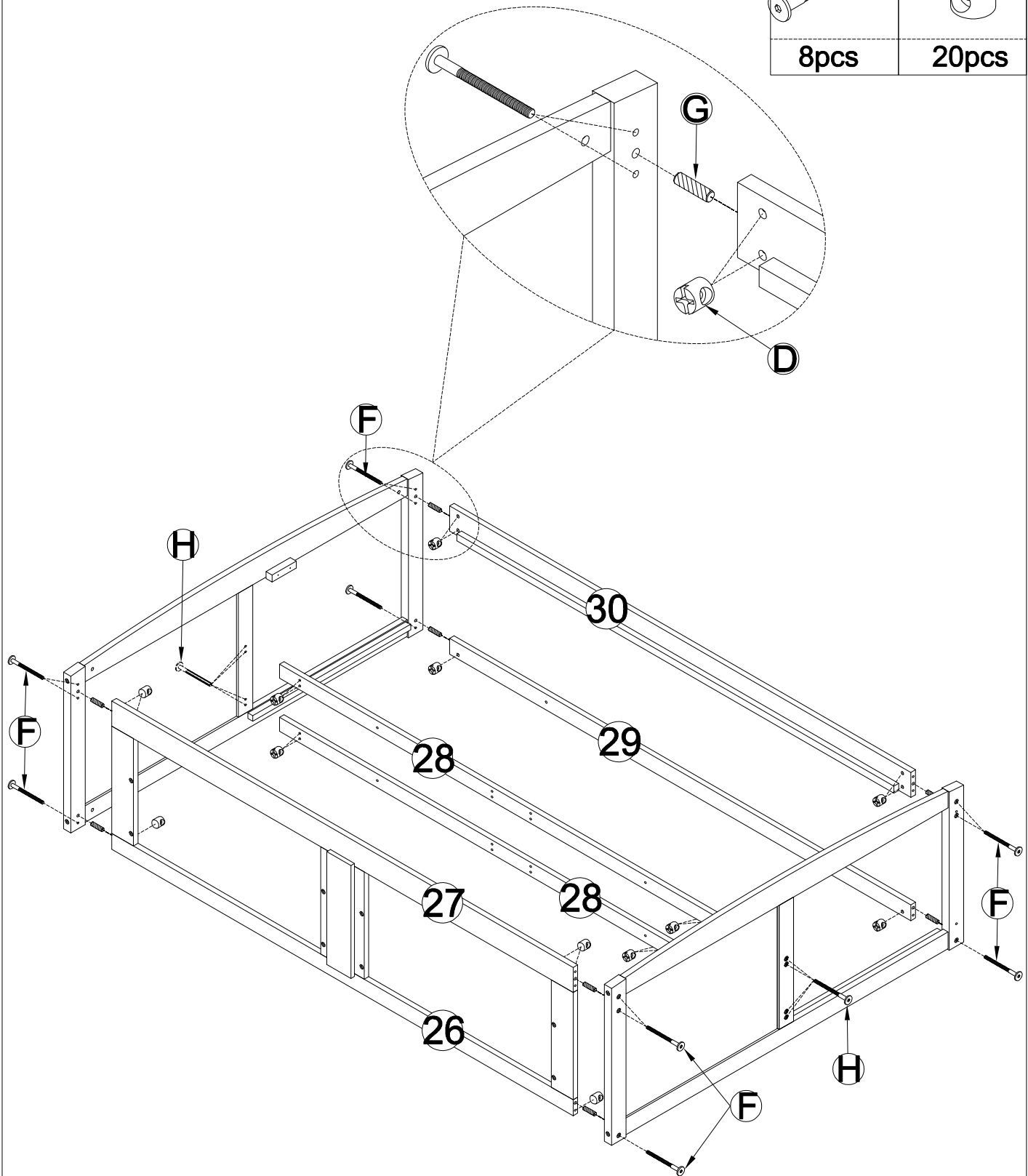
STEP 4-2:
Following below illustration:



STEP 5: Following below illustration:.

-Using hardware #D,#F,#H and dowel G to connect Frames(Completed in step 2,step 3) with 27,30 side rails and 26,28(x2),29 rails

F 	G 
12pcs	8pcs
H 	D 
8pcs	20pcs



STEP 6: Following below illustration:.

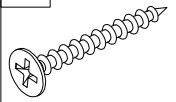
-Using hardware #K,#Z to connect Frame(Completed in step 5) with 20(x2),21(x2),51(x2),52(x2) Rails

K

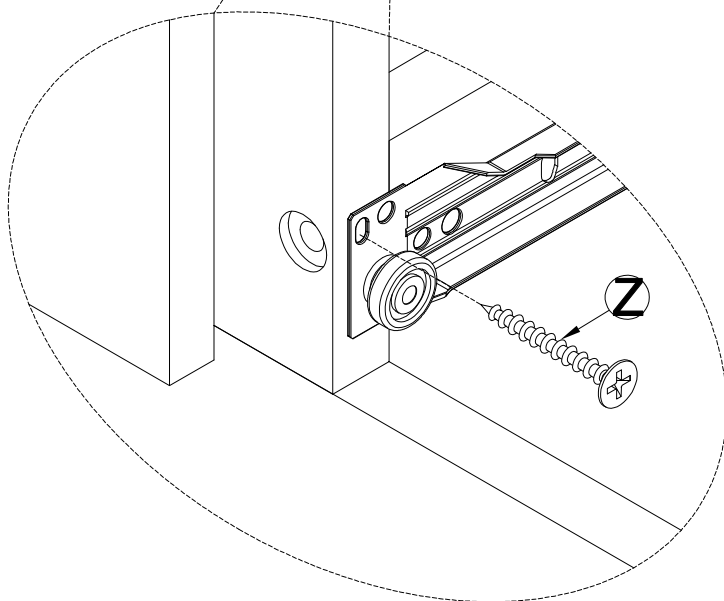
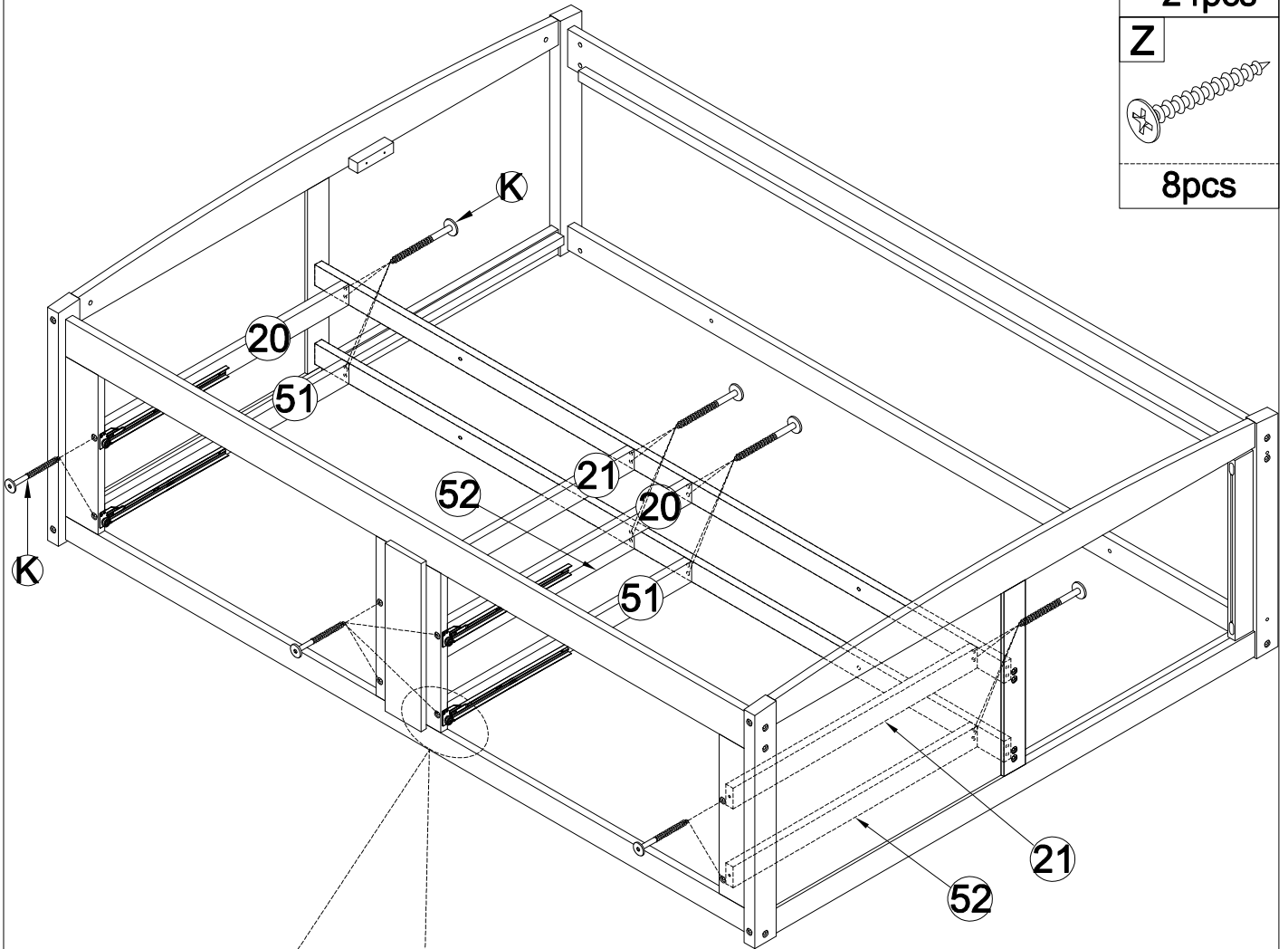


24pcs

Z

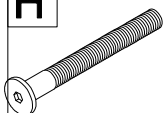
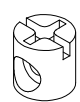


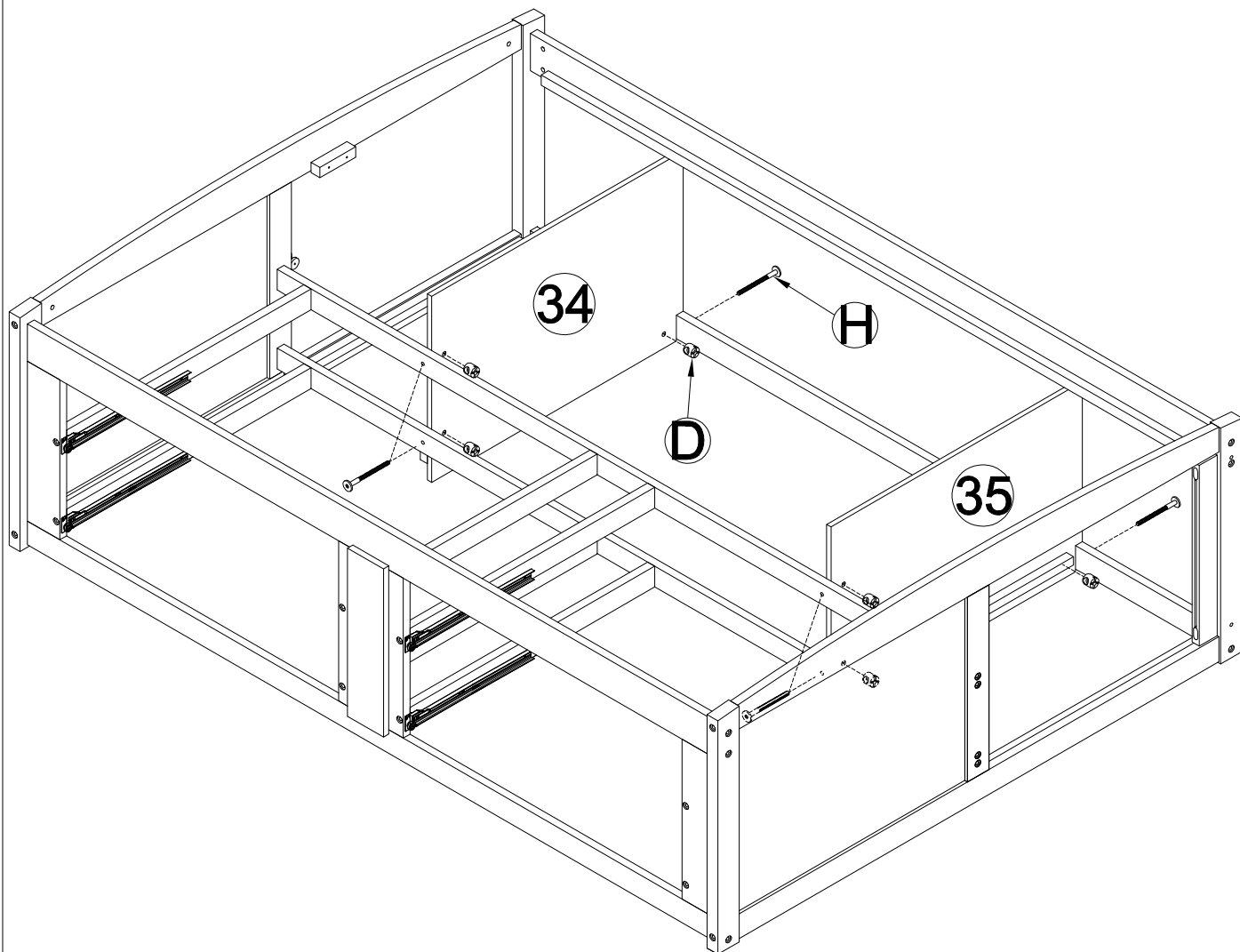
8pcs



X8

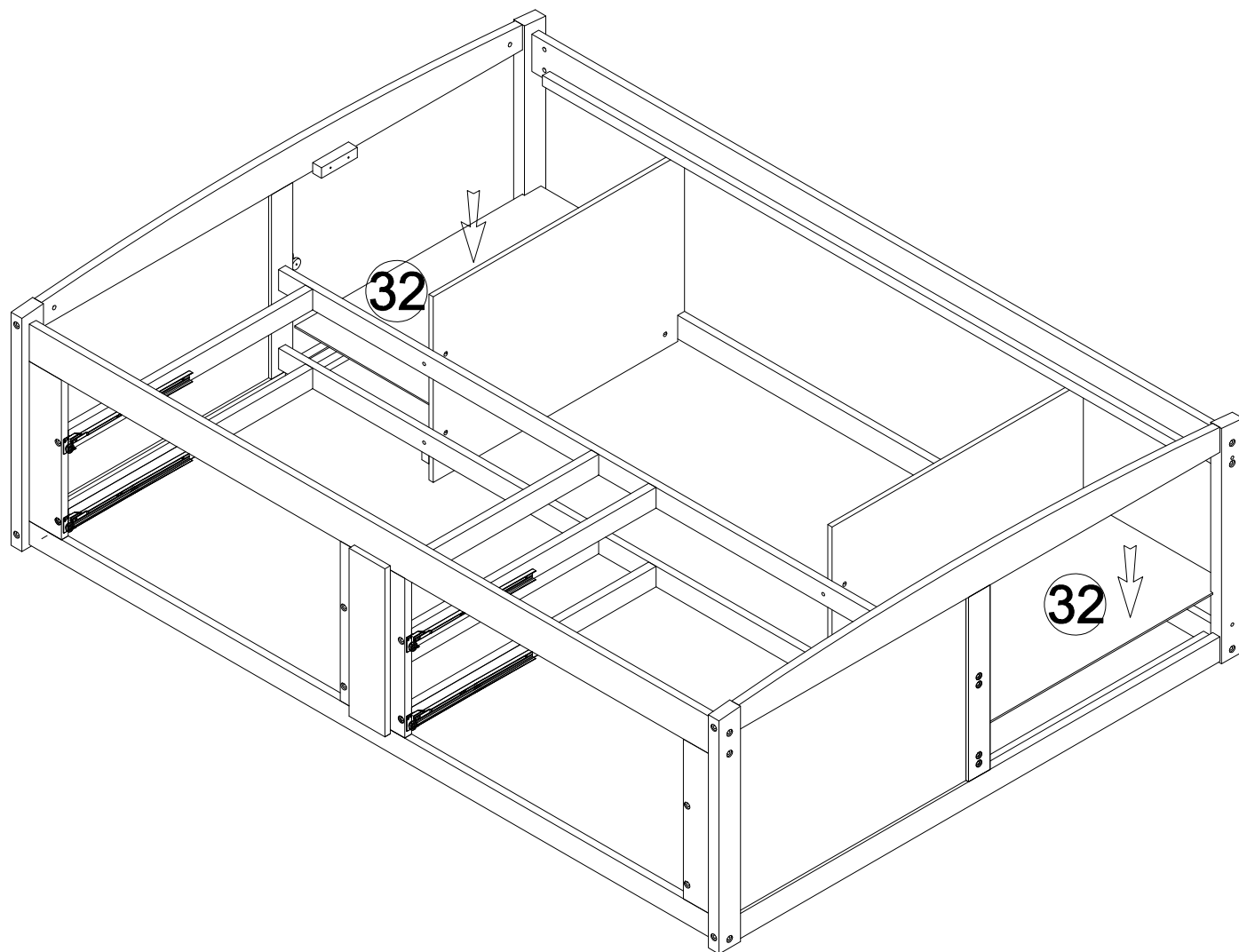
STEP 7: Following below illustration:
-Using hardware #D,#H to connect Frame
(Completed in step 6) with 34,35 Panes

H 	D 
6pcs	6pcs

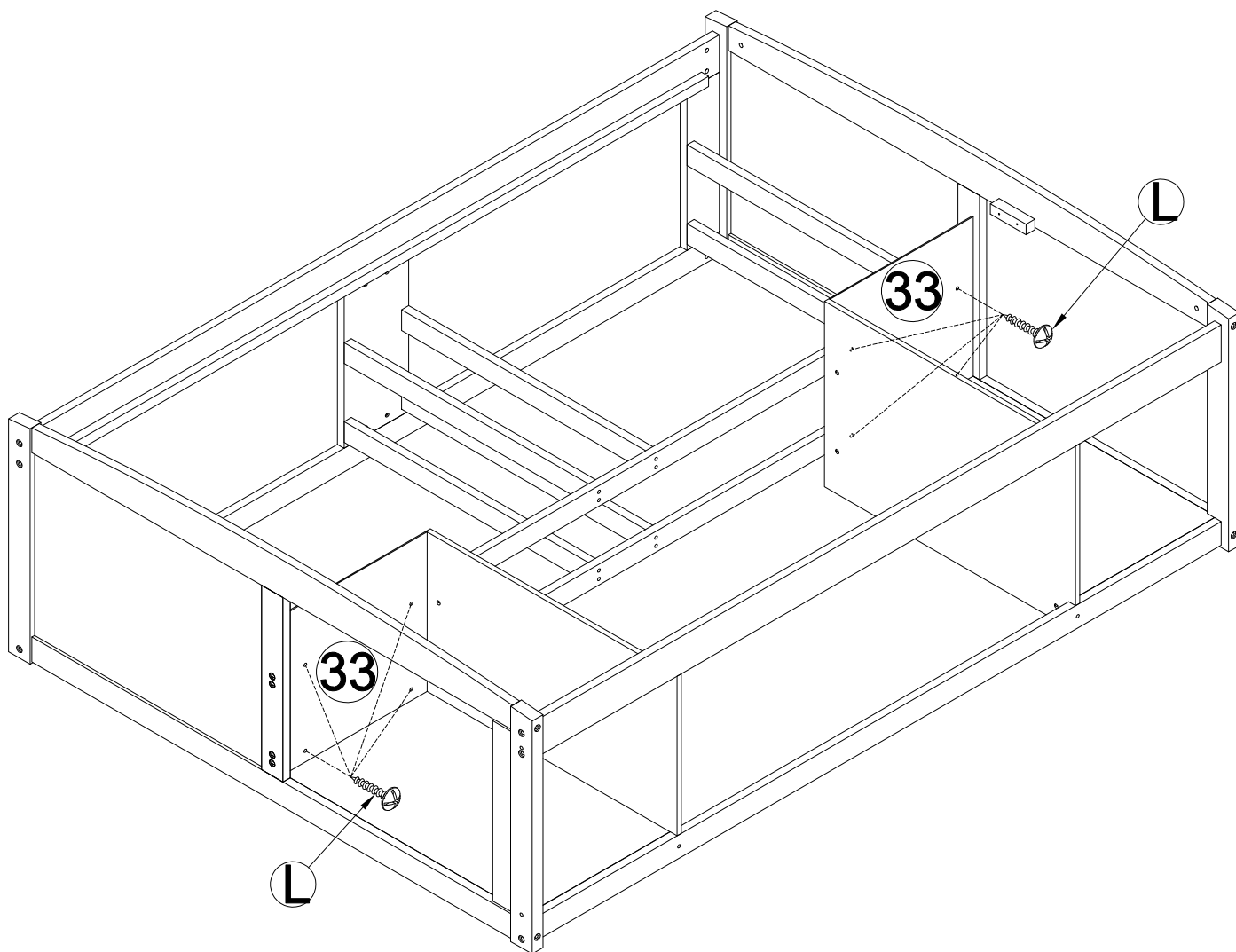
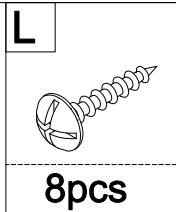


STEP 8: Following below illustration:.

-Put 32(x2) Panes into position



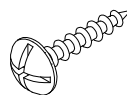
STEP 9: Following below illustration:
-Using hardware L to connect Frame
(Completed in step 8) with 33(x2) Panes



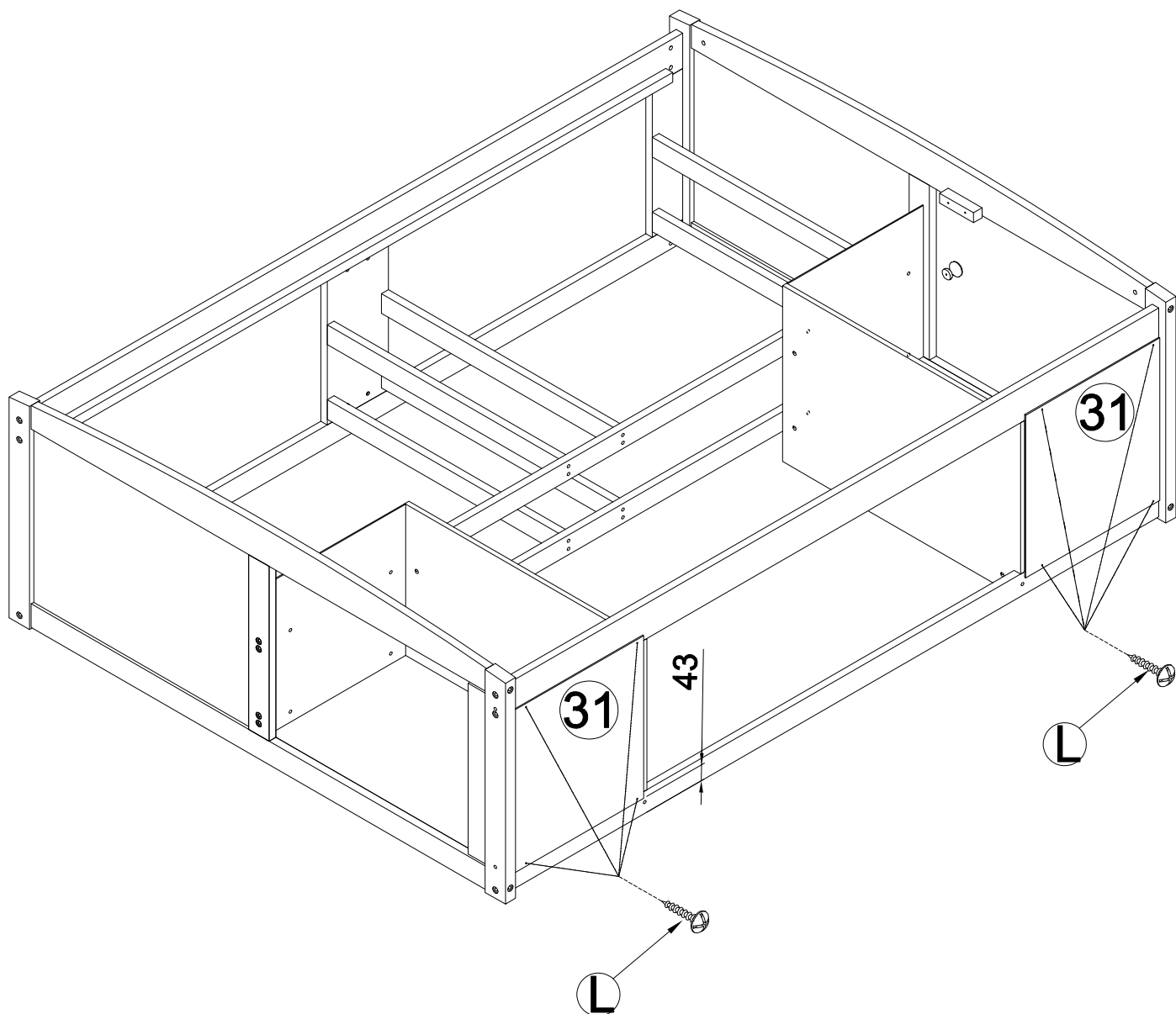
STEP 10: Following below illustration:.

-Using hardware L to connect Frame
(Completed in step 9) with 31(x2) Panes


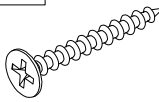
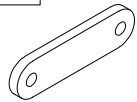
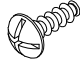
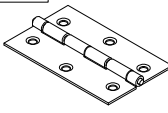
L

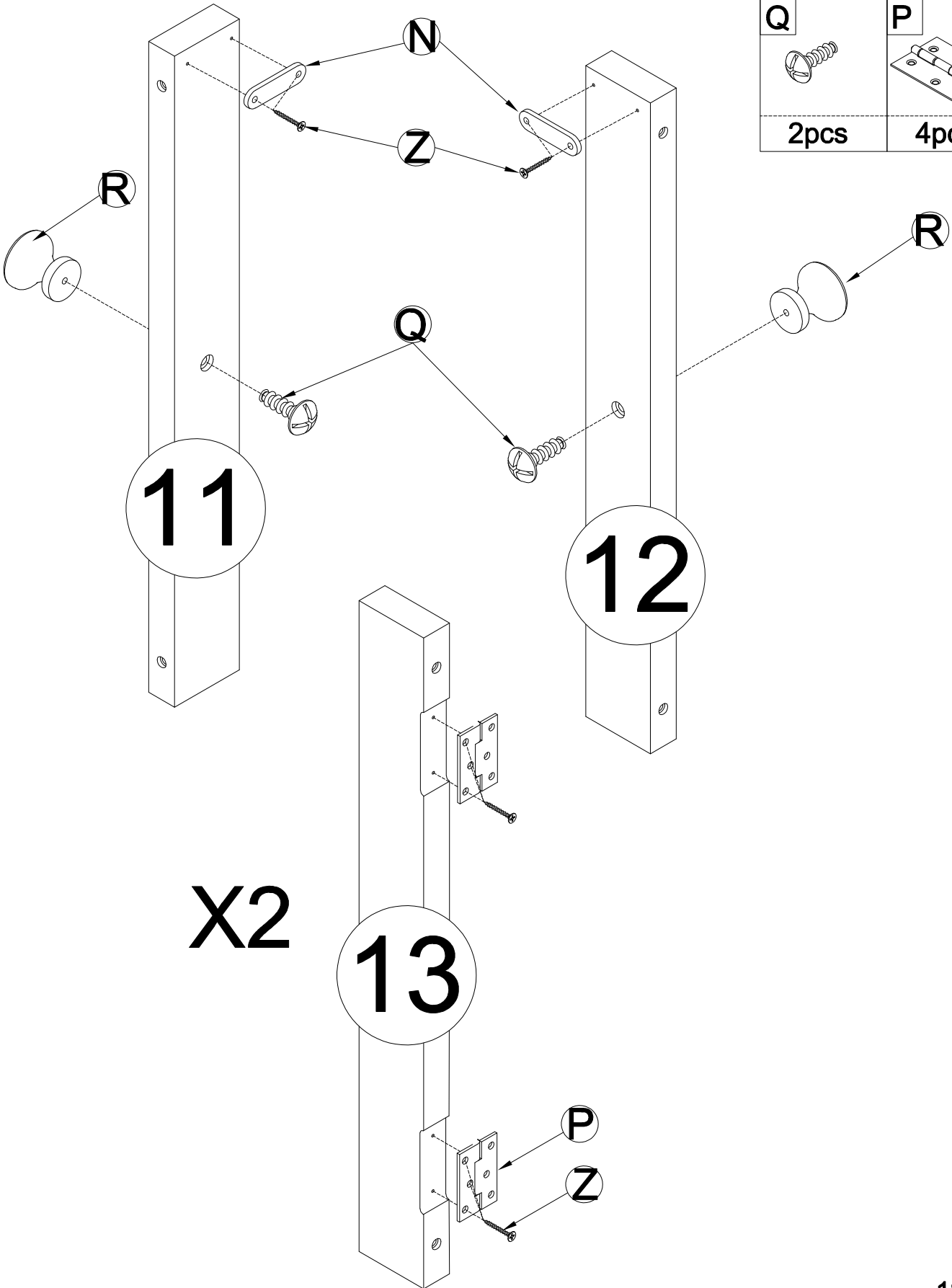


8pcs



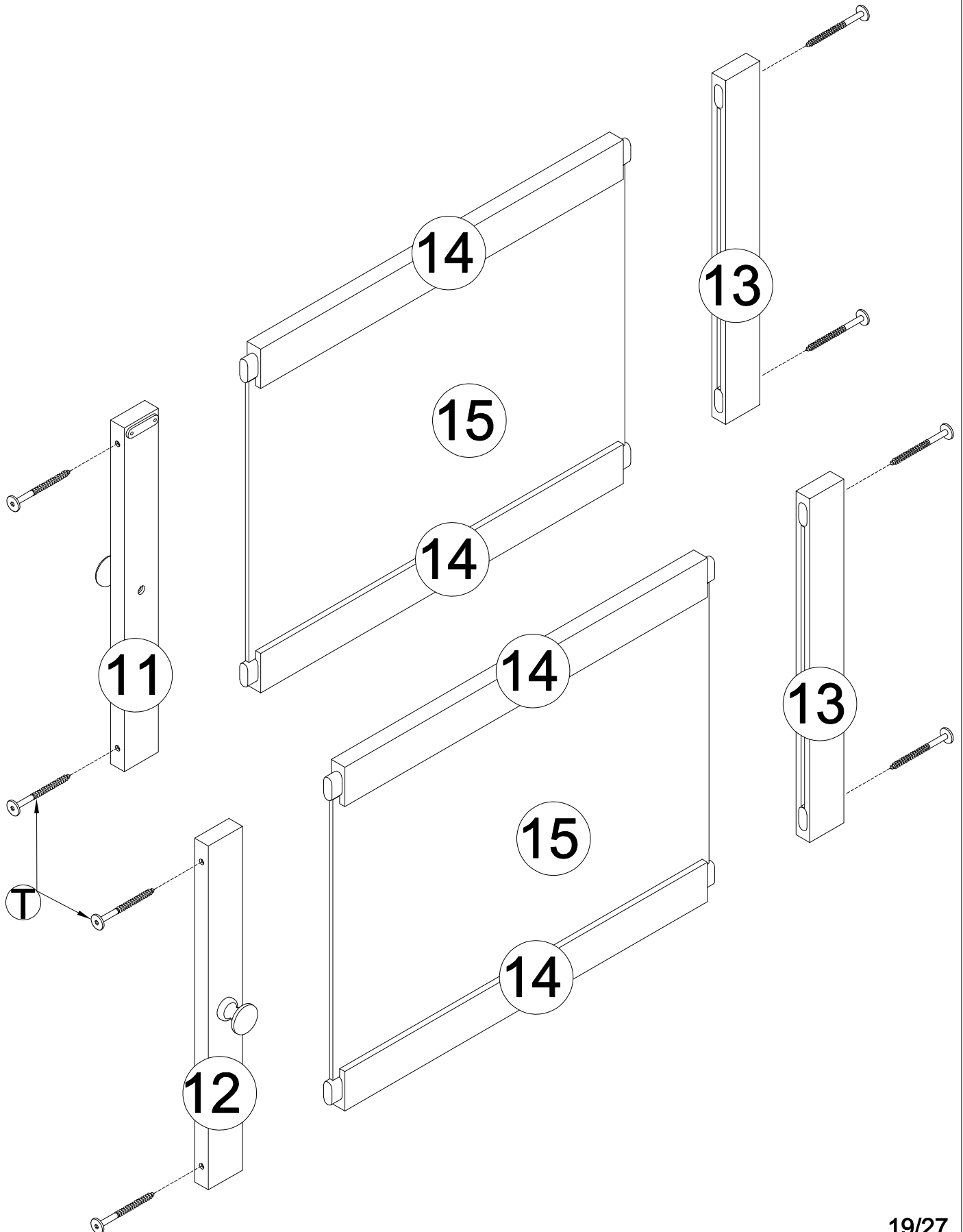
STEP 11: Following below illustration:.

R 	Z 	N 
2pcs	16pcs	2pcs
Q 	P 	
2pcs	4pcs	

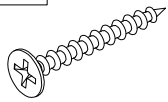


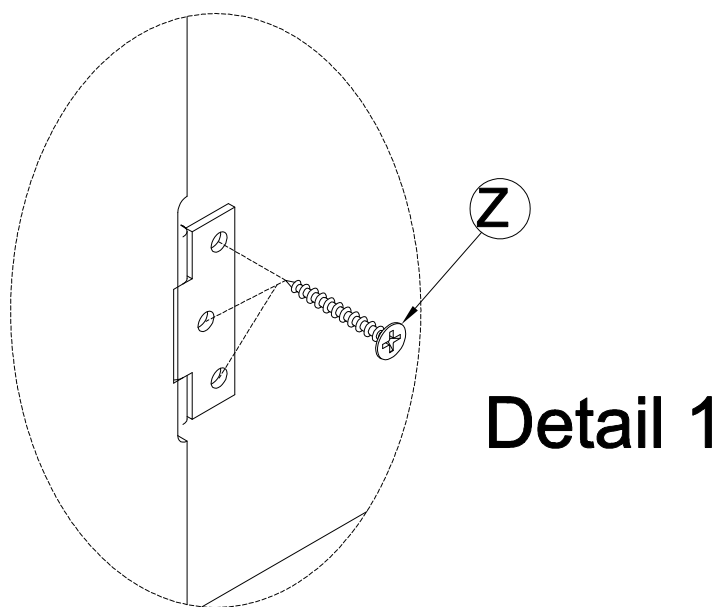
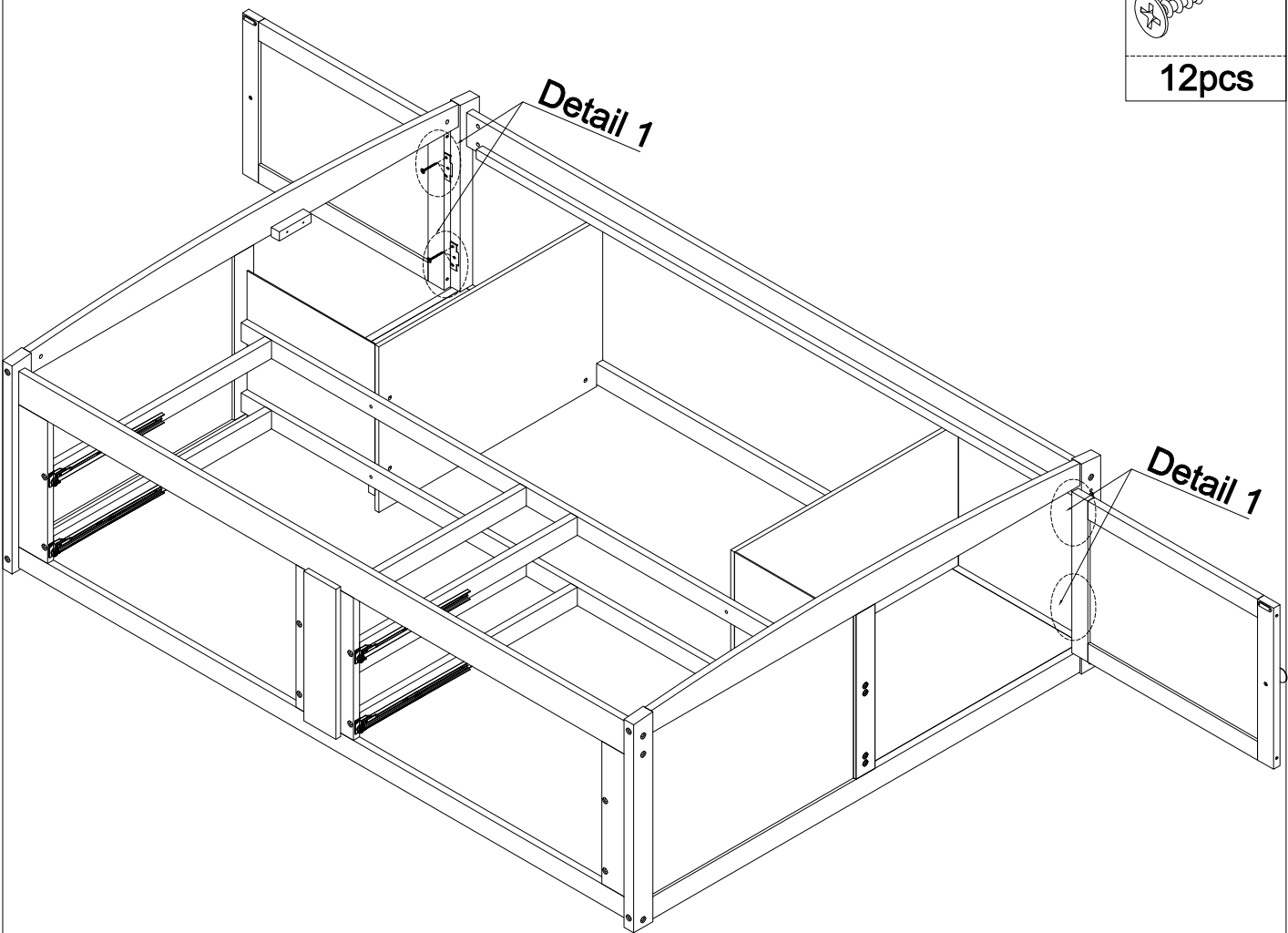
STEP 12: Following below illustration:.

T
8pcs

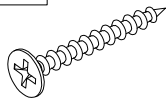
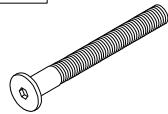


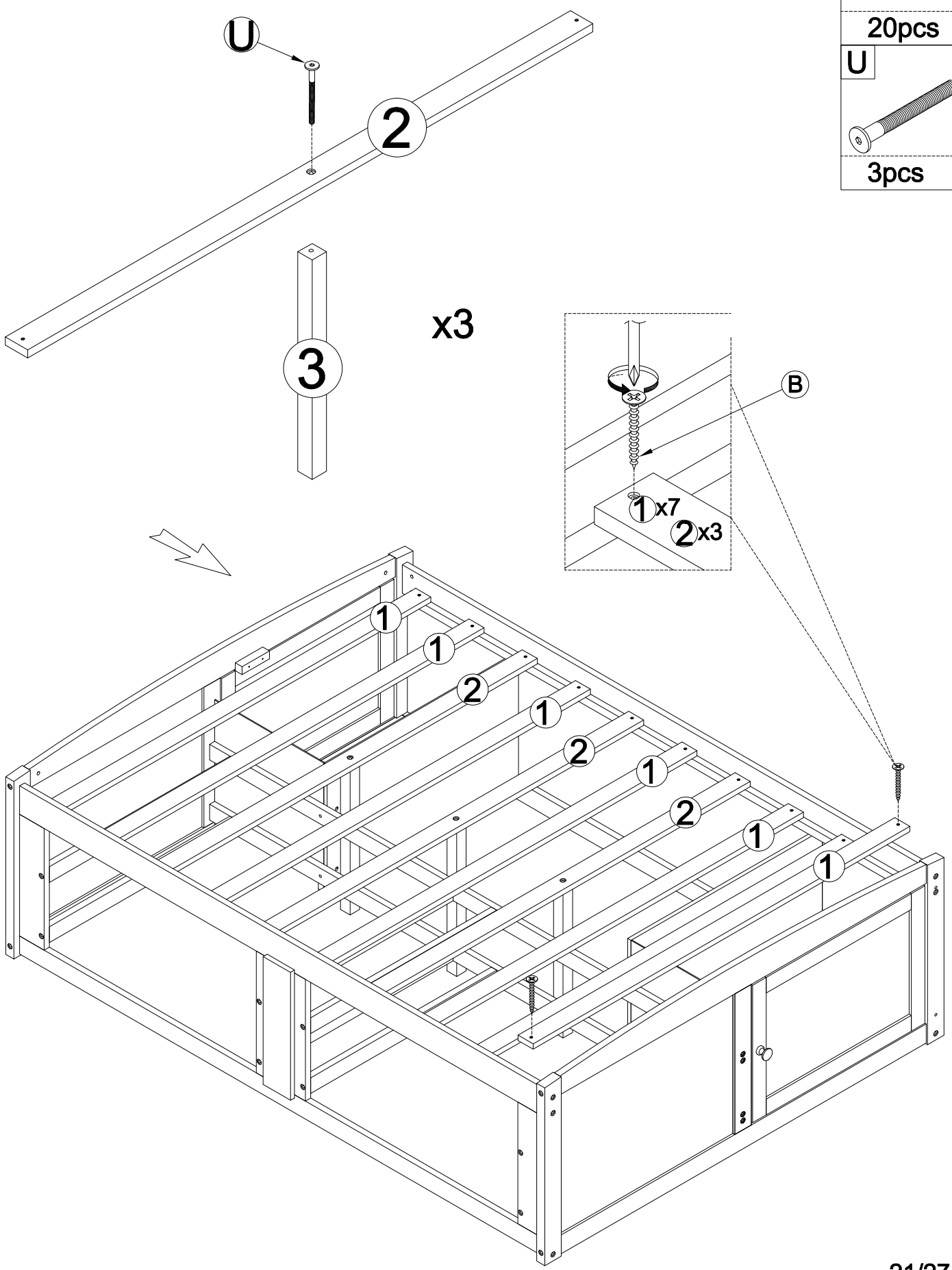
STEP 13: Following below illustration:.

Z

12pcs

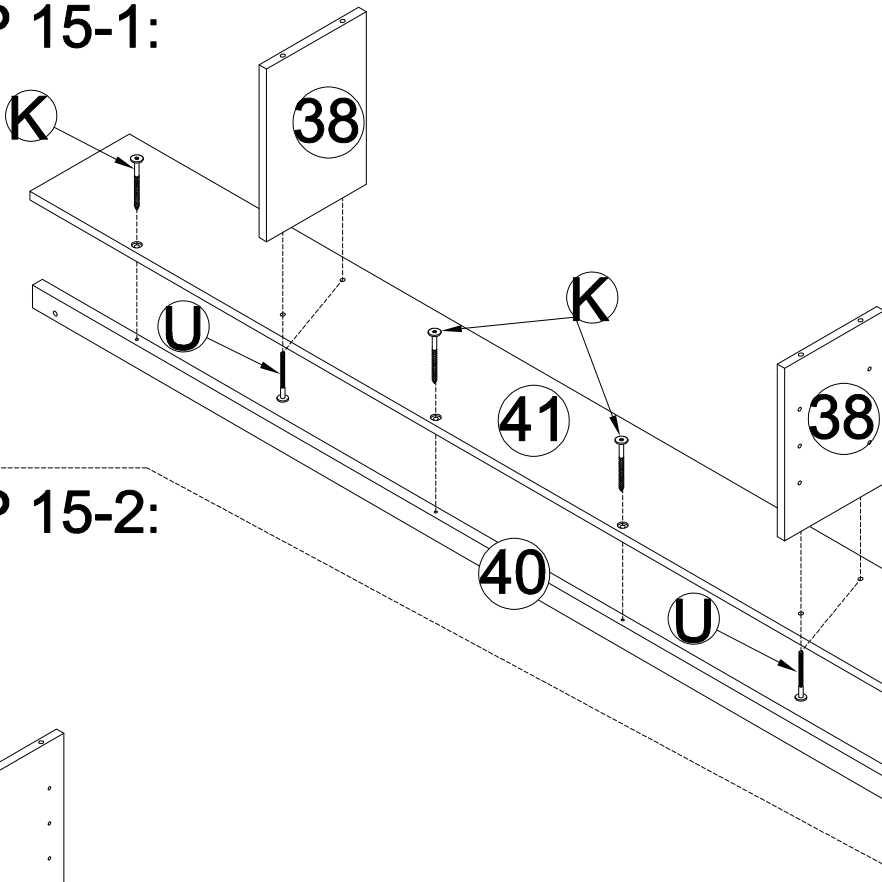



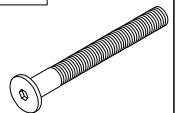
STEP 14: Following below illustration:.

B	
	20pcs
U	
	3pcs

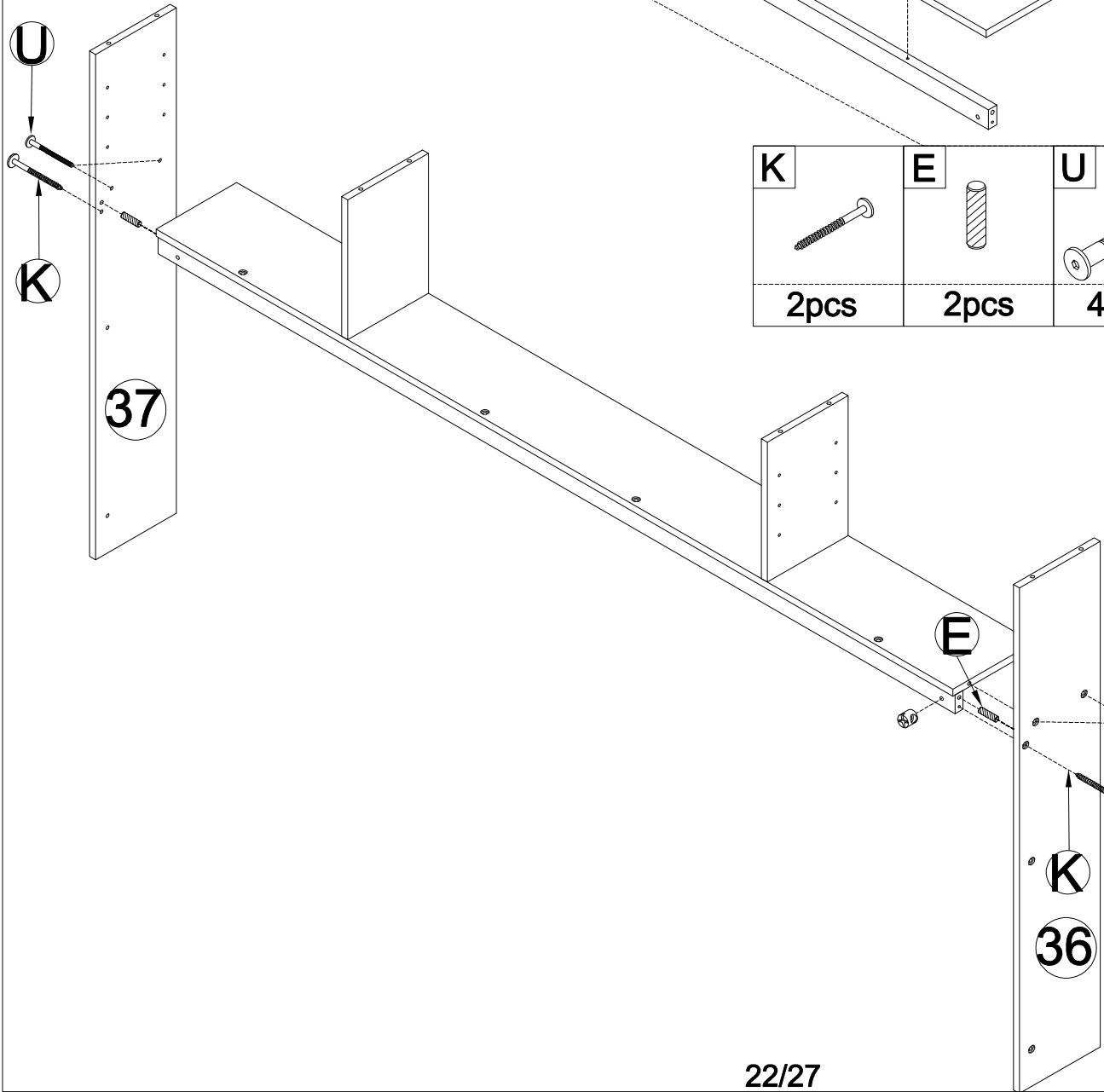



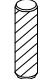
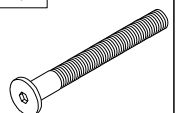
STEP 15-1:



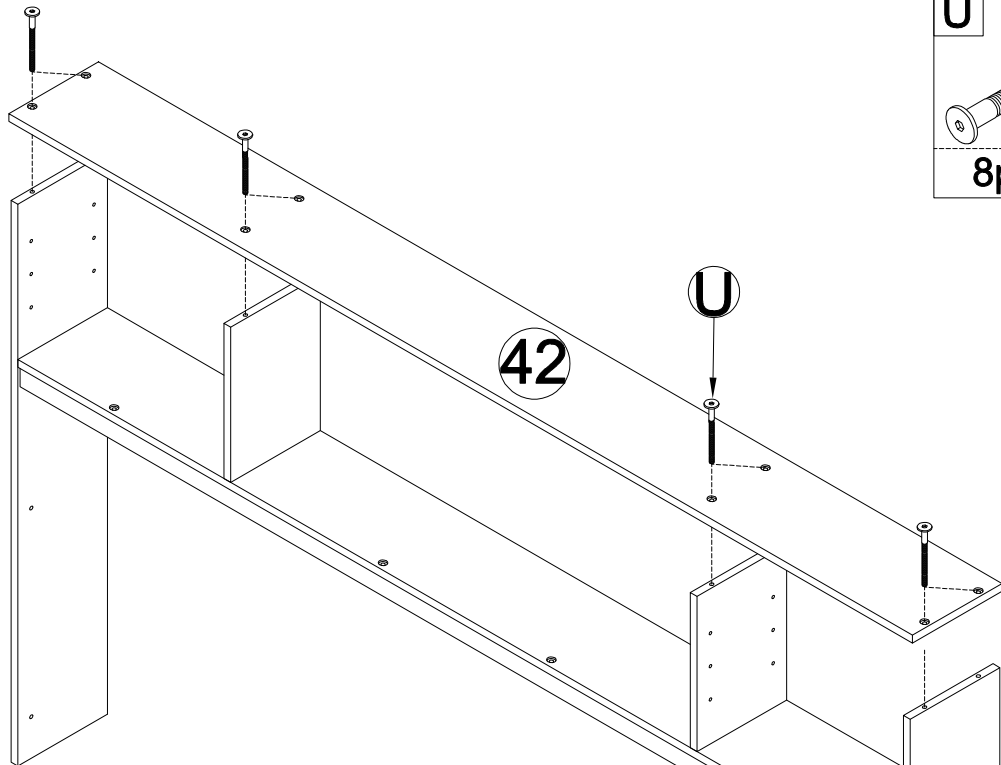
K		U	
	4pcs		4pcs

STEP 15-2:

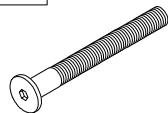


K		E		U	
	2pcs		2pcs		4pcs

STEP 15-3:

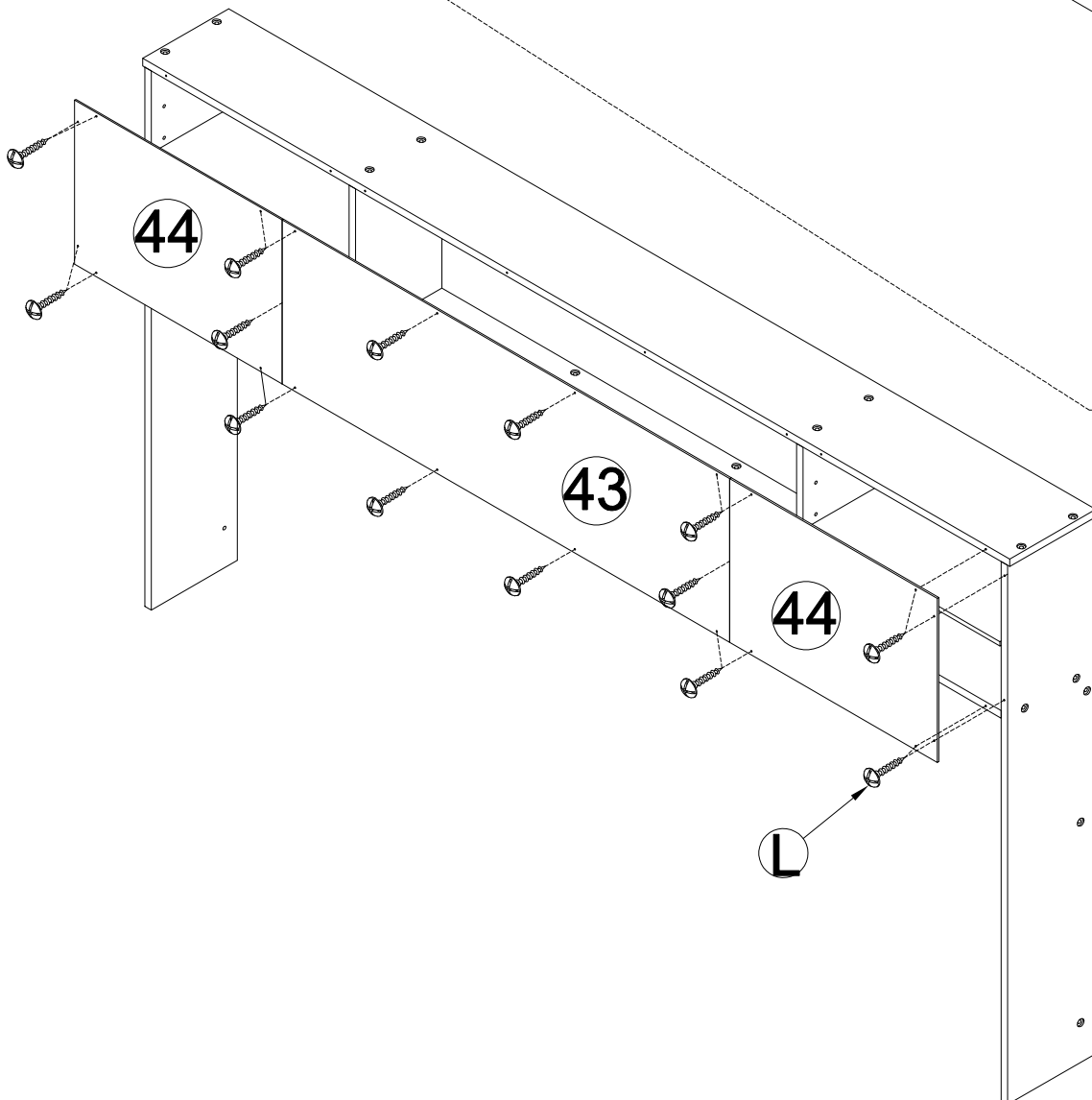


U

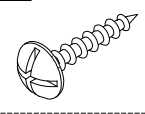


8pcs

STEP 15-4:



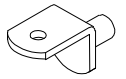
L



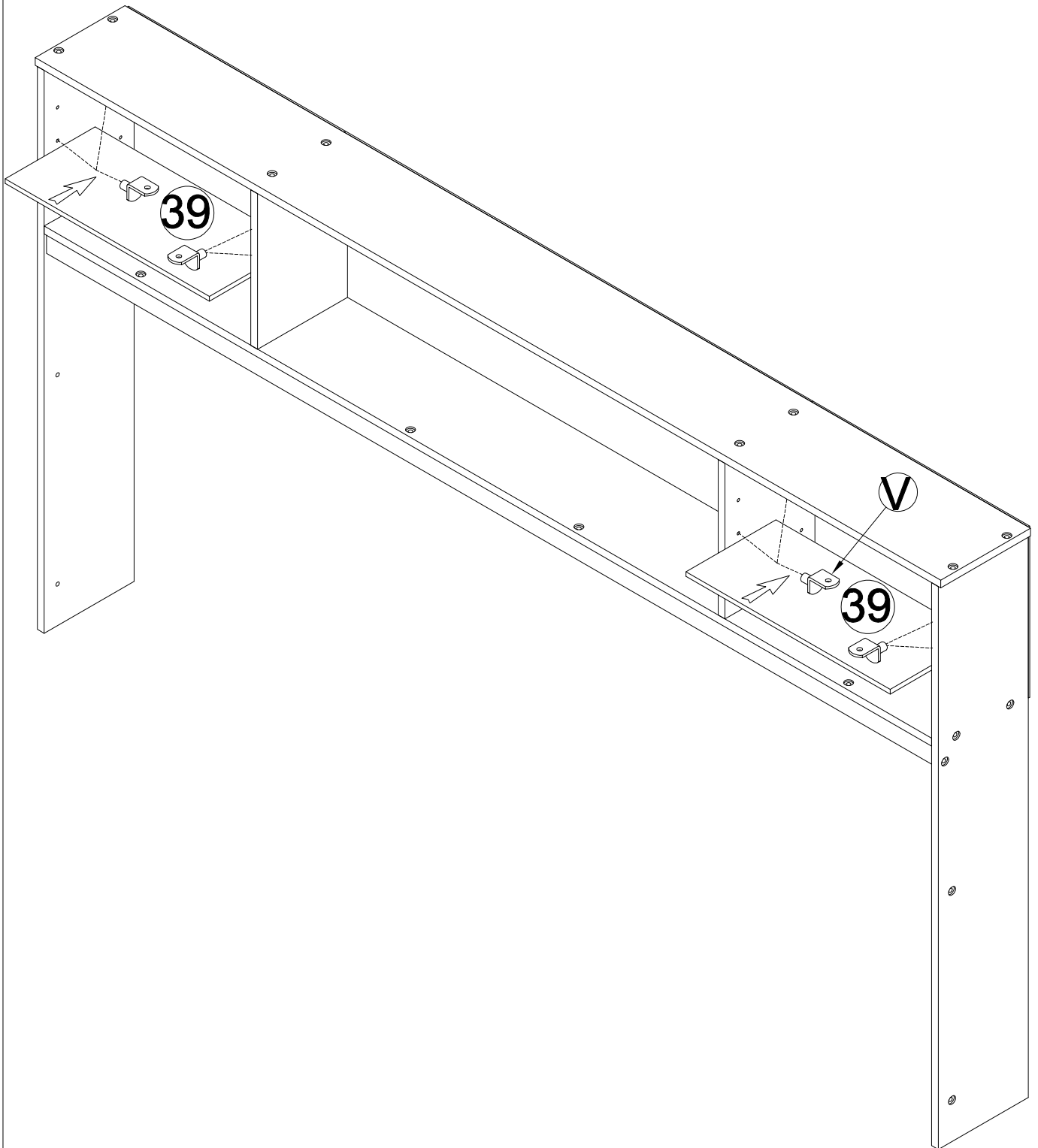
22pcs

STEP 15-5:

V



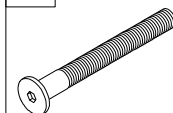
8pcs



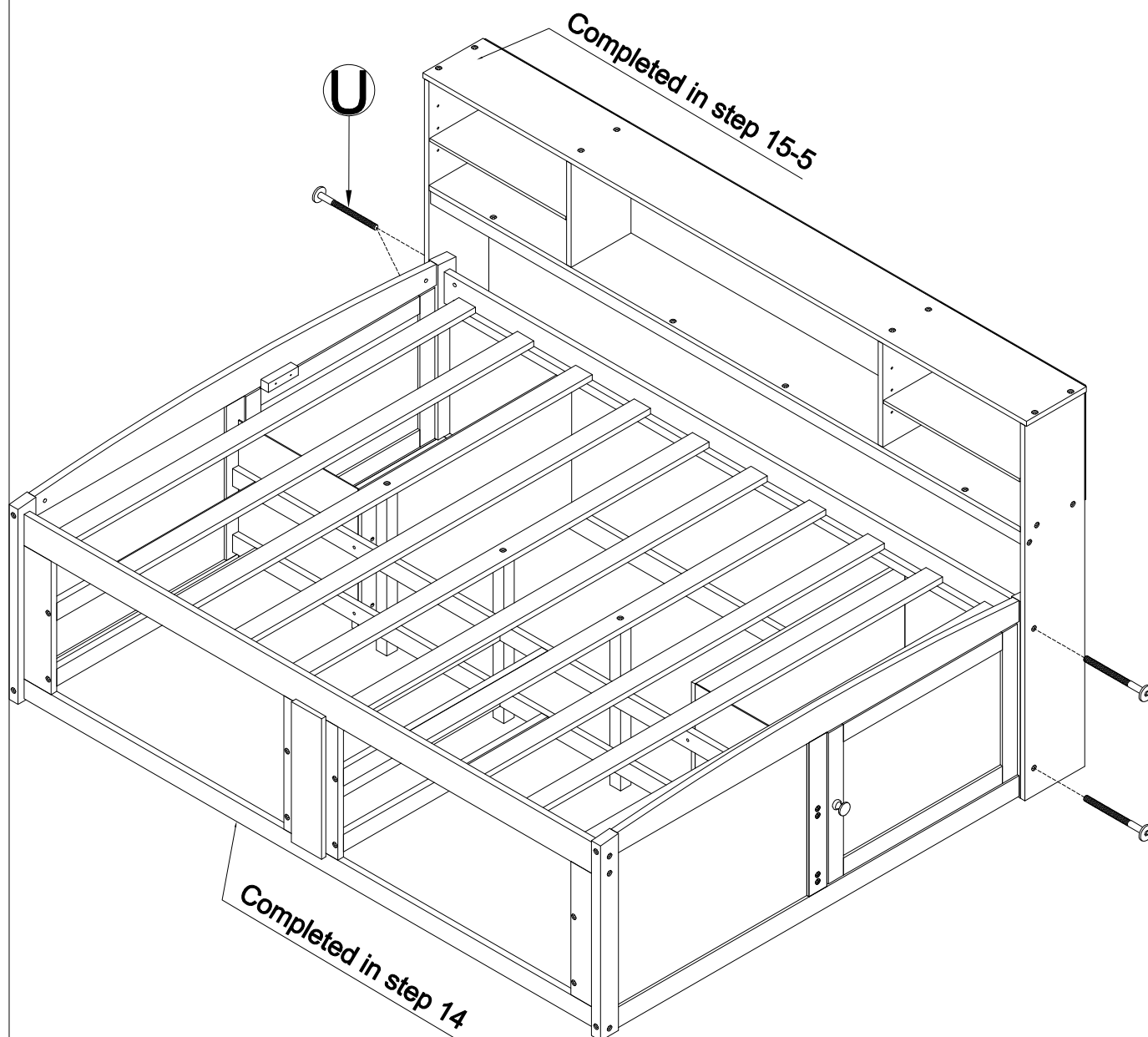
STEP 16: Following below illustration:.

-Using hardware U to connect Frame
(Completed in step 15-5) with Frame
(Completed in step 14)

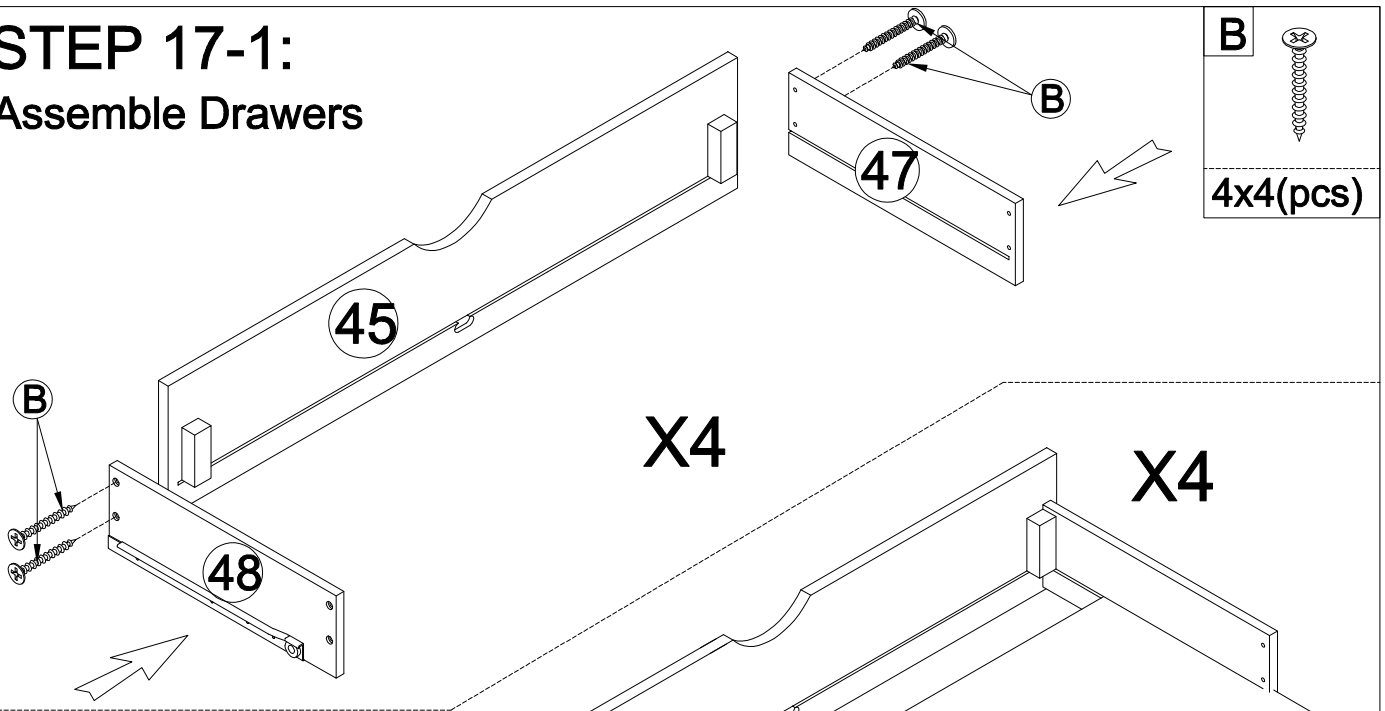
U



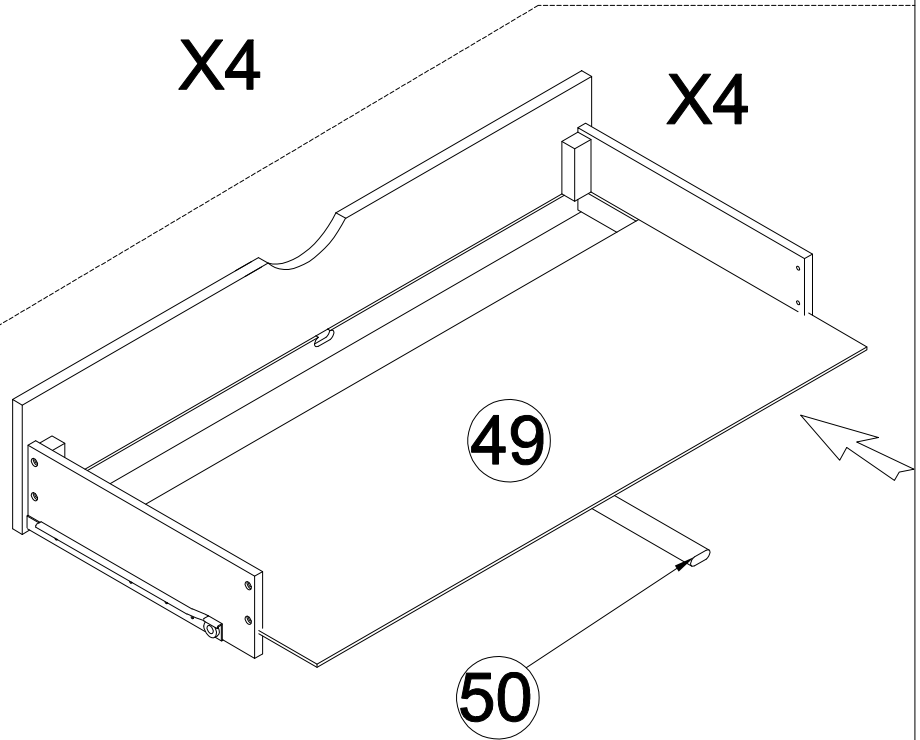
4pcs



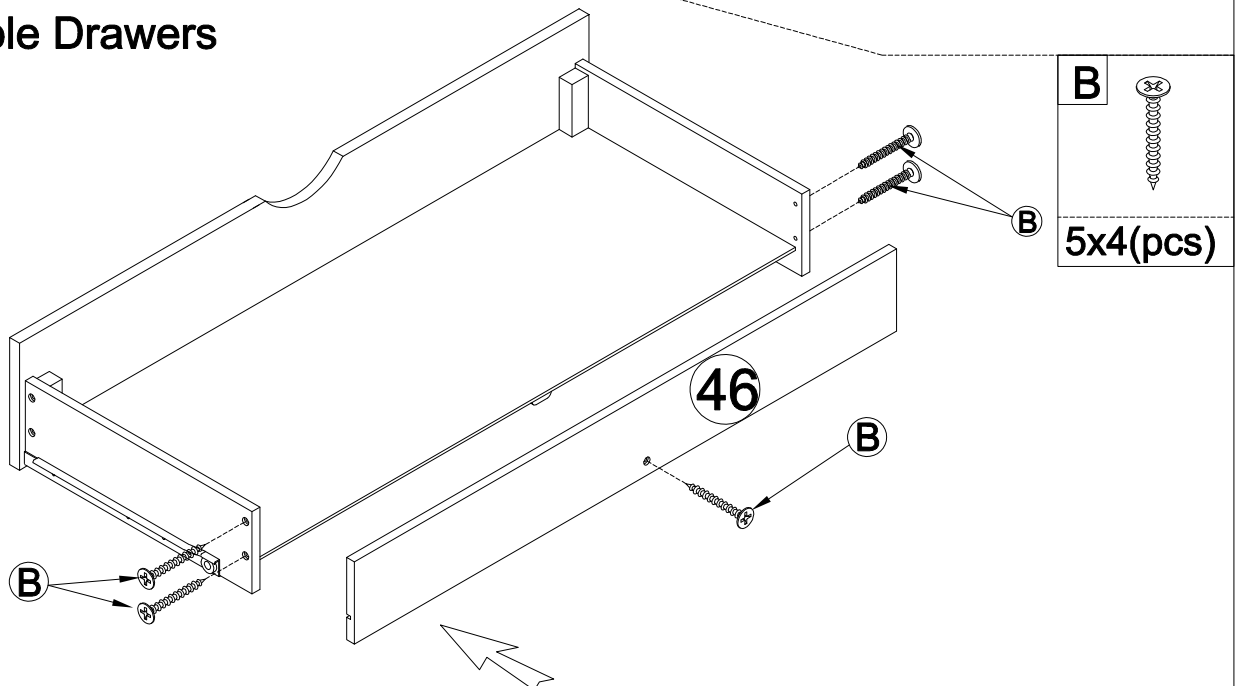
STEP 17-1: Assemble Drawers



STEP 17-2: Assemble Drawers



STEP 17-3: Assemble Drawers



STEP 18: CONGRATULATION. YOU HAVE COMPLETED THE BED

Push 4 Drawer into position

