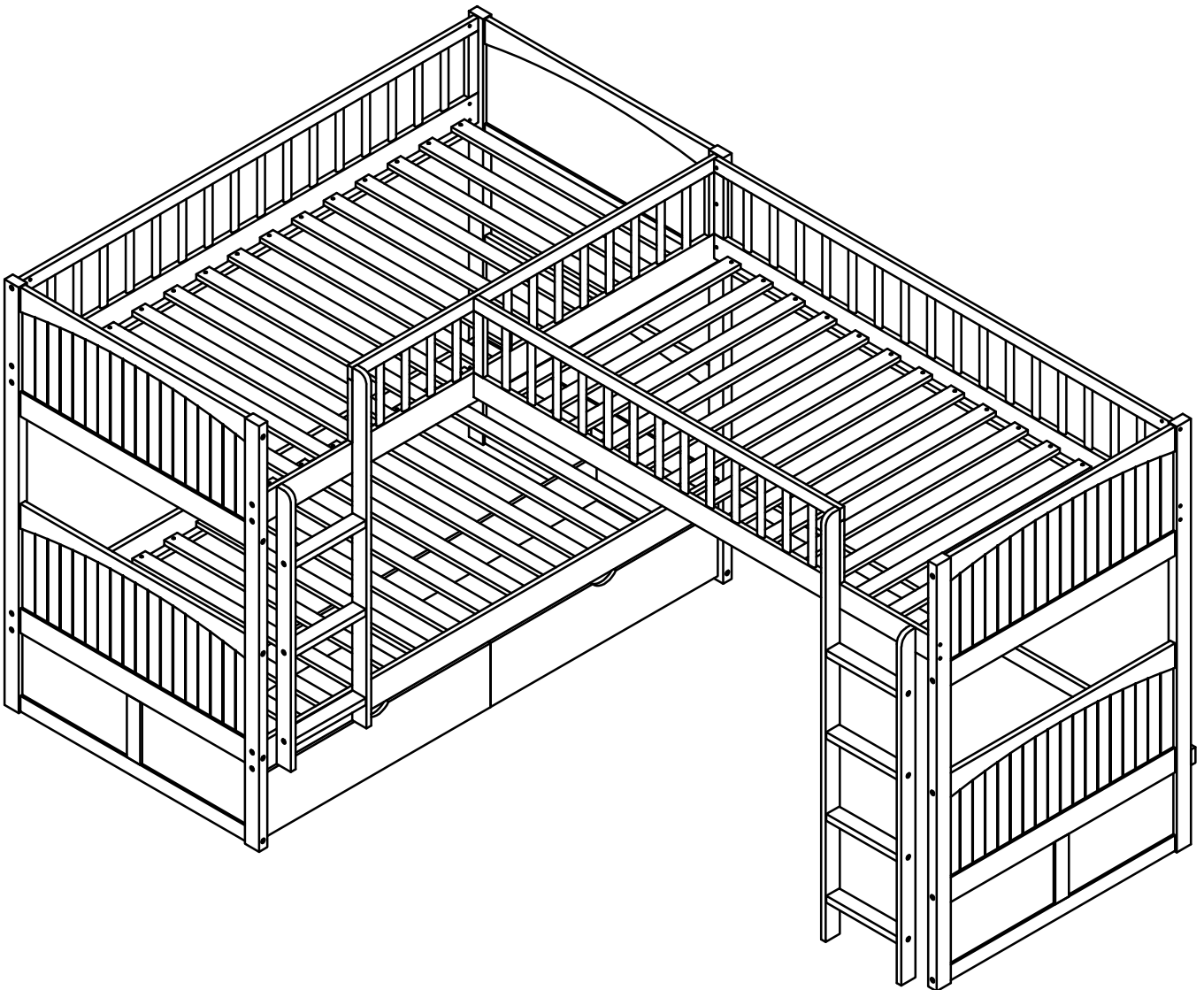


ASSEMBLY INSTRUCTION

This set is included 3 boxes if don't receive full 3 boxes please contact our customer service team



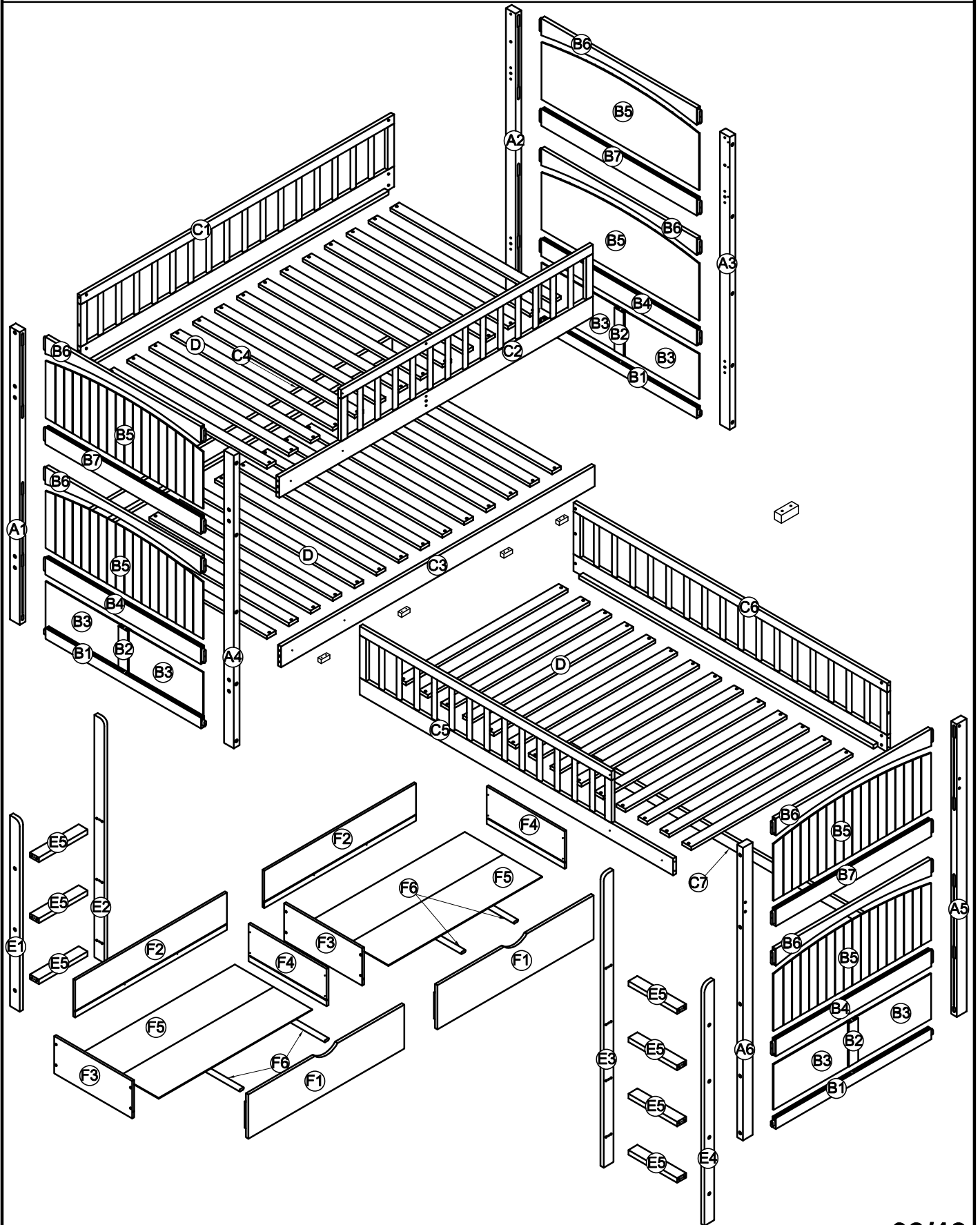
! SAFETY WARNINGS !

1. This bed is designed for use only mattress(es) meeting the following specifications on the upper bunk, and lower bunk:

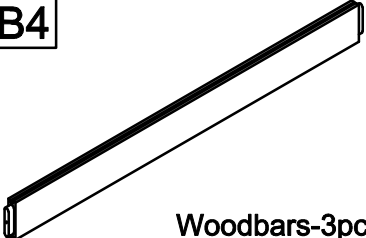
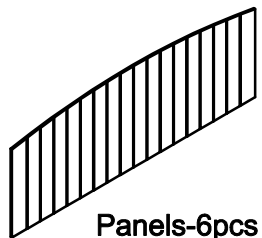
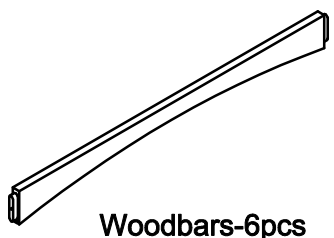
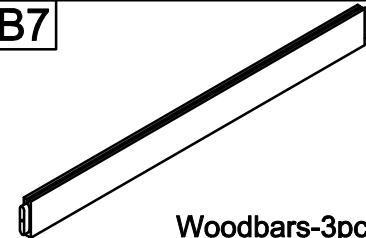

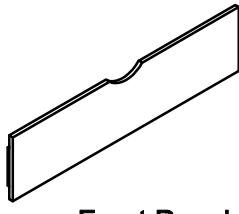
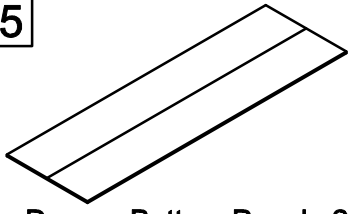
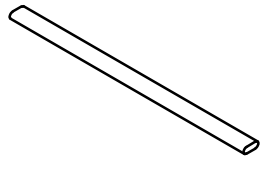
| Bed Type | Length | Width | Thickness |
|----------------------|------------------|-----------------|------------------|
| <i>Twin Standard</i> | <i>74" - 75"</i> | <i>38 1/2"</i> | <i>6" max</i> |
| <i>Full Standard</i> | <i>74" - 75"</i> | <i>53 1/2 "</i> | <i>6" max</i> |

2. Replacement parts, including additional guardrails
3. Follow the information on the warnings appearing on the upper bunk bed end structure and on the carton. Do not remove warning label from bed.
4. Always use the recommended size mattresses or mattress supports, or both, to help prevent the likelihood of entrapment or falls.
5. Surface of the mattress must be at least 5 in. (127 mm) below the upper edge of guardrails.
6. Do not allow children under 6 years of age to use the upper bunk.
7. Periodically check and ensure that the guardrail, ladder, and other components are in their proper position, free from damage, and that all connectors are tight.
8. Do not allow horseplay on or under the bed and prohibit jumping on the bed
9. Always use the ladder for entering and leaving the upper bunk.
10. Do not use substitute parts. Contact the manufacturer or dealer for replacement parts.
11. Use of a night light may provided added safety precaution for a child using the upper bunk.
12. Always use guardrails on both long sides of the upper bunk. If the bunk bed will be placed next to the wall, the guardrail that runs the full length of the bed should be placed against the wall to prevent entrapment between the bed and wall.
13. The use of water or sleep flotation mattresses is prohibited.
14. **STRANGULATION HAZARD** – Never attach or hang items to any part of the bunk bed that are not designed for use with the bed; for example, but not limited to, hook, belts and jump ropes.
15. Keep these instructions for future reference

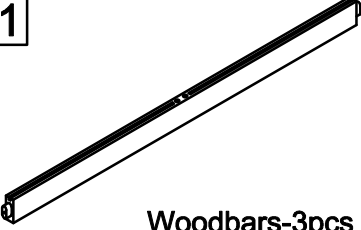

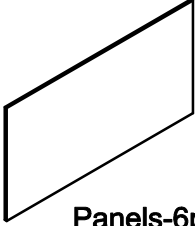
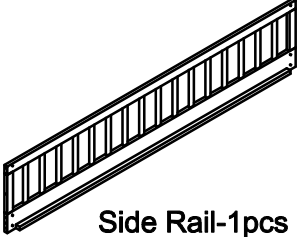
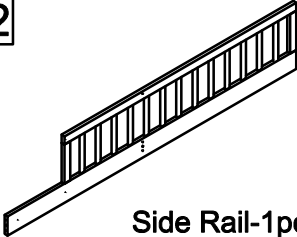
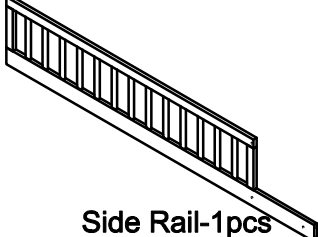
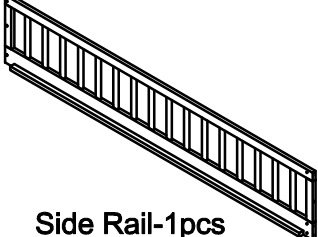





ASSEMBLY INSTRUCTION









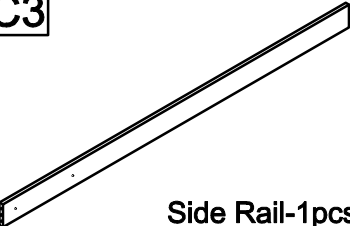
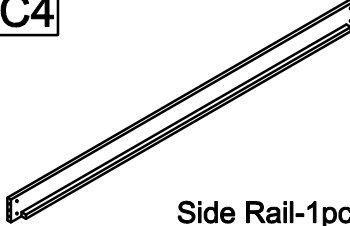
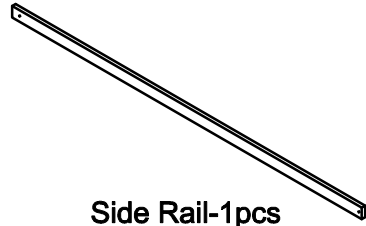
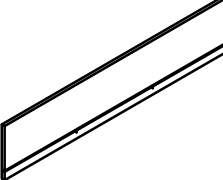
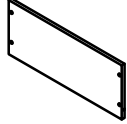
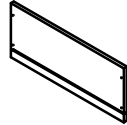

Part List

| | | |
|---|--|--|
| B4  Woodbars-3pcs | B5  Panels-6pcs | B6  Woodbars-6pcs |
| B7  Woodbars-3pcs | D  Slats-20pcs | F1  Drawer-Front Panels-2pcs |
| F5  Drawer-Bottom Panels-2pcs | F6  Drawer-Support Bottom-4pcs | |

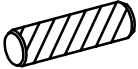

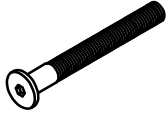


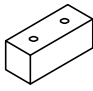



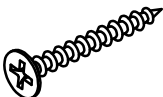
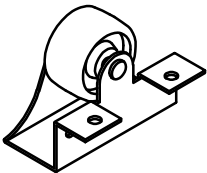


Part List

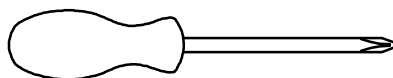
| | | |
|--|--|--|
| B1  Woodbars-3pcs | B2  Woodbars-3pcs | B3  Panels-6pcs |
| C1  Side Rail-1pcs | C2  Side Rail-1pcs | C5  Side Rail-1pcs |
| C6  Side Rail-1pcs | E5  Step Ladders-7pcs | E1  Side Ladder-1pcs |
| E2  Side Ladder-1pcs | E3  Side Ladder-1pcs | E4  Side Ladder-1pcs |

Part List

| | | |
|---|---|---|
| A1  Leg-1pcs | A2  Leg-1pcs | A3  Leg-1pcs |
| A4  Leg-1pcs | A5  Leg-1pcs | A6  Leg-1pcs |
| C3  Side Rail-1pcs | C4  Side Rail-1pcs | C7  Side Rail-1pcs |
| F2  Drawer-Back Panels-2pcs | F3  Drawer-Side Panels-2pcs | F4  Drawer-Side Panels-2pcs |
| D  Slats-22pcs | | |

Hardware List


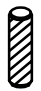
| | | |
|--|---|---|
| <p>1</p>  <p>Ø10 x 40 mm Wood dowel 55pcs</p> | <p>2</p>  <p>Screws 1/4" x80 30pcs</p> | <p>3</p>  <p>Ø1/4" x 80 mm Hex-Head bolts 27pcs</p> |
| <p>4</p>  <p>Ø1/4" x 13 mm Horizontal-Hole bolts 27pcs</p> | <p>5</p>  <p>M4 x 30 mm Wood Screws 112pcs</p> | <p>6</p>  <p>Stop Drawers 4pcs</p> |
| <p>7</p>  <p>Ø1/4" x 30 mm Hex-Head bolts 10pcs</p> | <p>8</p>  <p>Ø1/4" x 15 mm Canopy head though -3pcs</p> | <p>9</p>  <p>Screws 1/4" x50 14pcs</p> |
| <p>10</p>  <p>M3.5x 12 mm Wood Screws 24pcs</p> | <p>11</p>  <p>Wheels 8pcs</p> | <p>12</p>  <p>Allen Key 1pc</p> |
| <p>13</p>  <p>Ø1/4" x 40 mm Hex-Head bolts 3pcs</p> | | |

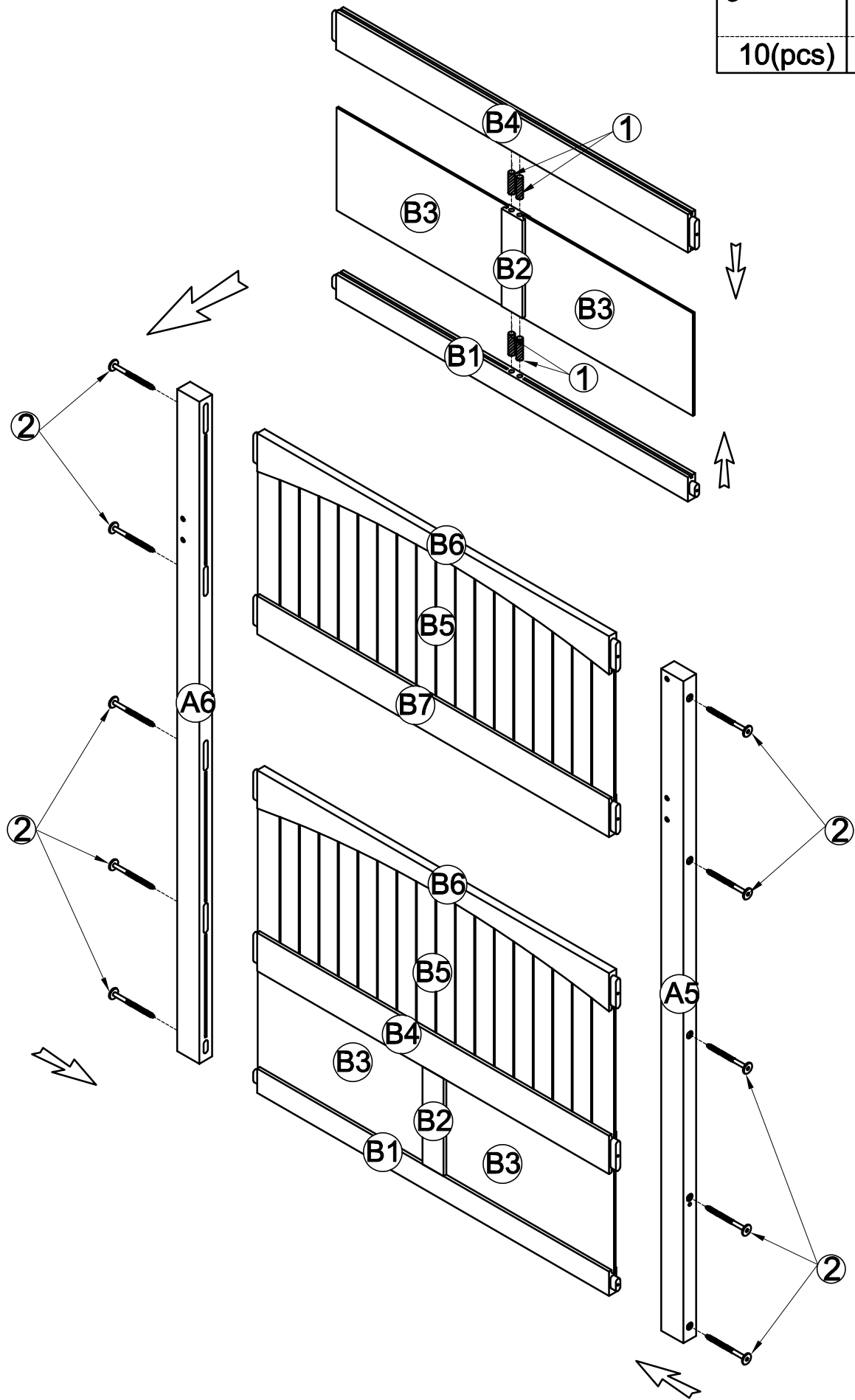


Assembly Tools Required (Not Included)

STEP 1: Following below illustration Assembly Headboard and Footboard .


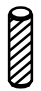
-Using hardware #2 and Dowel #1 connect B1.B2,B4,B6(x2),B7 Woodbar and B5(x2),B3(x2) Panels with A5,A6 Legs

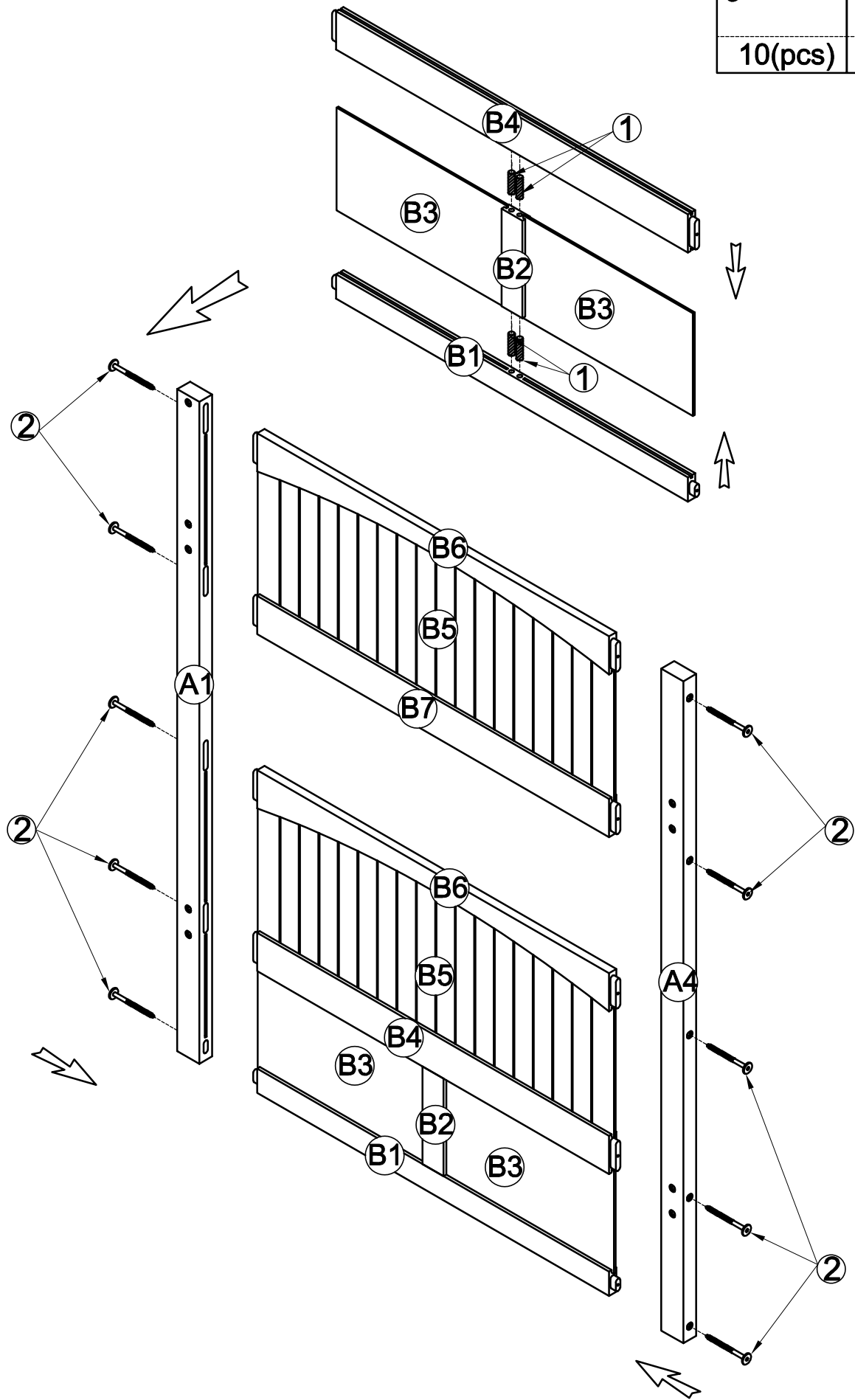
| | |
|---|---|
| 2 | 1 |
|  |  |
| 10(pcs) | 4(pcs) |



STEP 2: Following below illustration Assembly Headboard and Footboard .


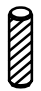
-Using hardware #2 and Dowel #1 connect B1.B2,B4,B6(x2),B7 Woodbar and B5(x2),B3(x2) Panels with A1,A4 Legs

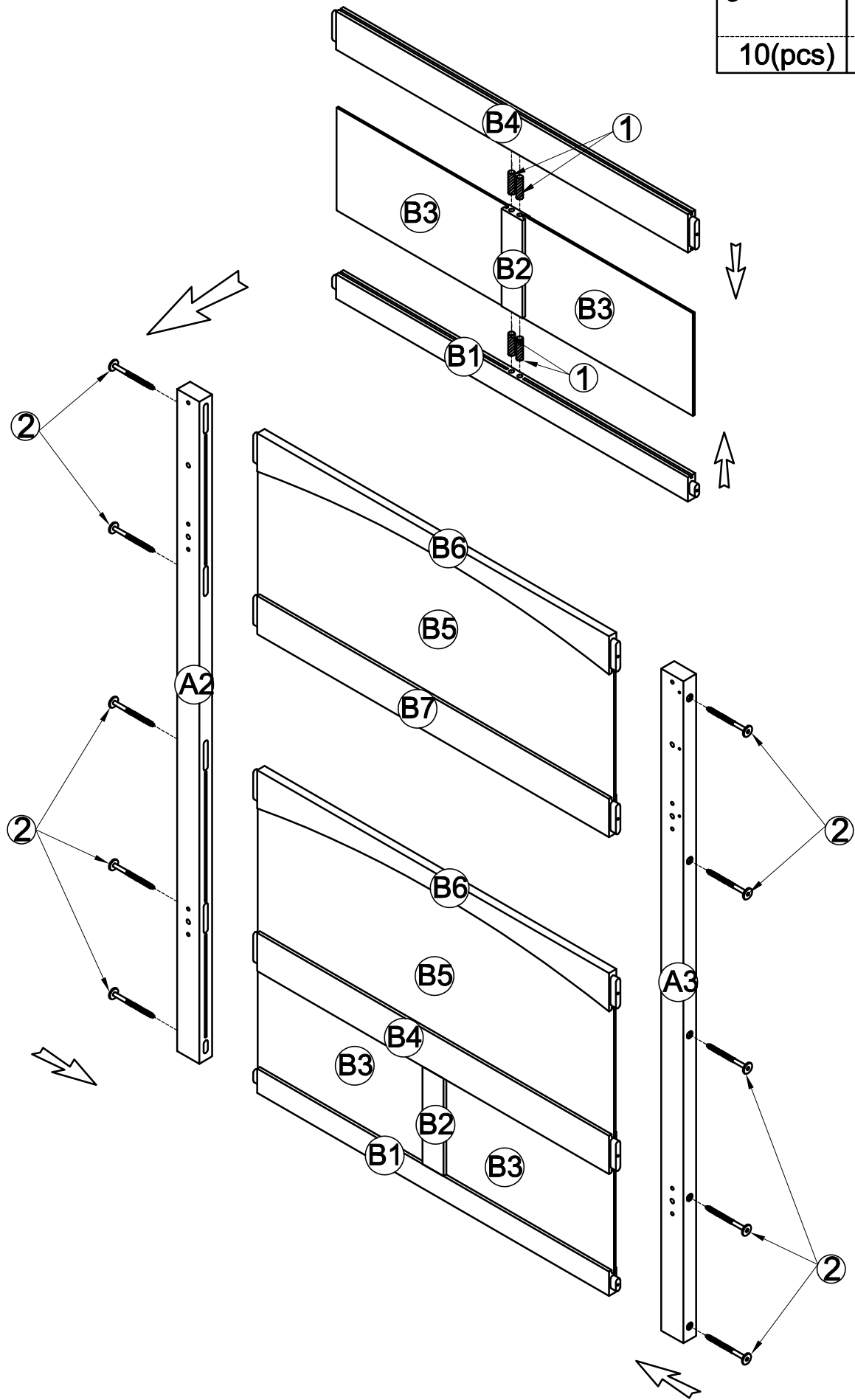
| | |
|---|---|
| 2 | 1 |
|  |  |
| 10(pcs) | 4(pcs) |



STEP 3: Following below illustration Assembly Headboard and Footboard .


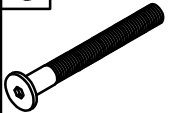

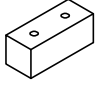

-Using hardware #2 and Dowel #1 connect B1.B2,B4,B6(x2),B7 Woodbar and B5(x2),B3(x2) Panels with A1,A4 Legs

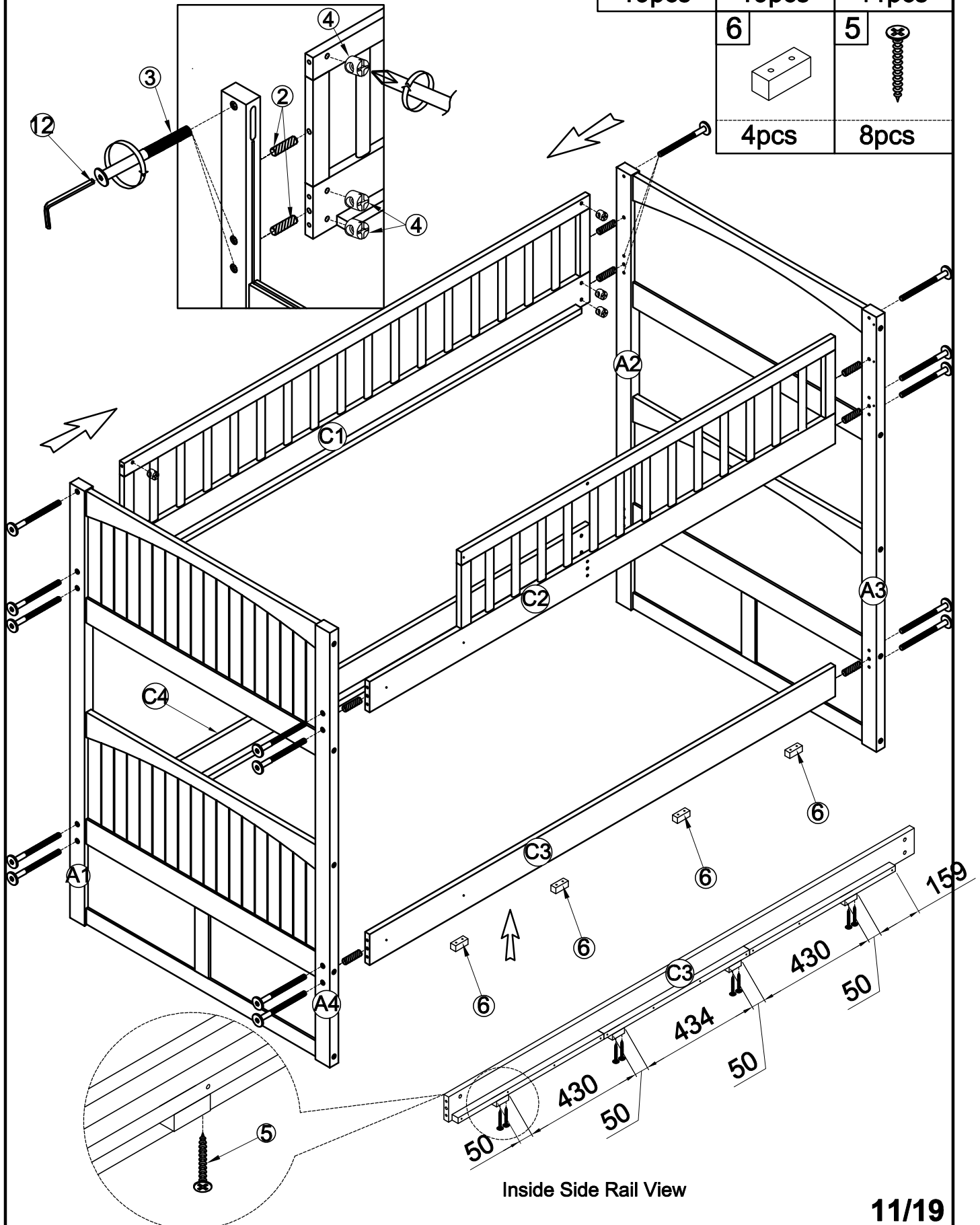
| | |
|---|---|
| 2 | 1 |
|  |  |
| 10(pcs) | 4(pcs) |



STEP 4: Following below illustration

-Using hardware #3,#4 and dowel #1 follow detail view to Assembly Frame (Completed on step 2) and Frame(Completed on step 3) with siderail C1,C2,C3,C4.
 -Using hardware #5 connect Stop Drawer(#6) with Siderail C3
 Look at detail view for more detail

| | | |
|---|---|---|
| <p>4</p>  <p>19pcs</p> | <p>3</p>  <p>19pcs</p> | <p>1</p>  <p>11pcs</p> |
| <p>6</p>  <p>4pcs</p> | <p>5</p>  <p>8pcs</p> | |

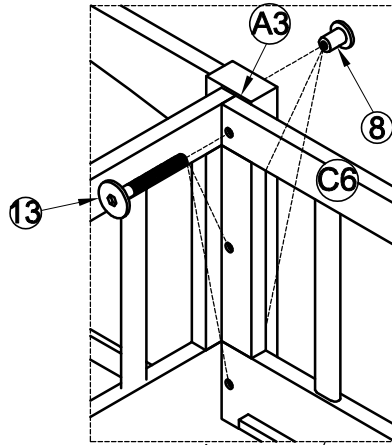


STEP 5

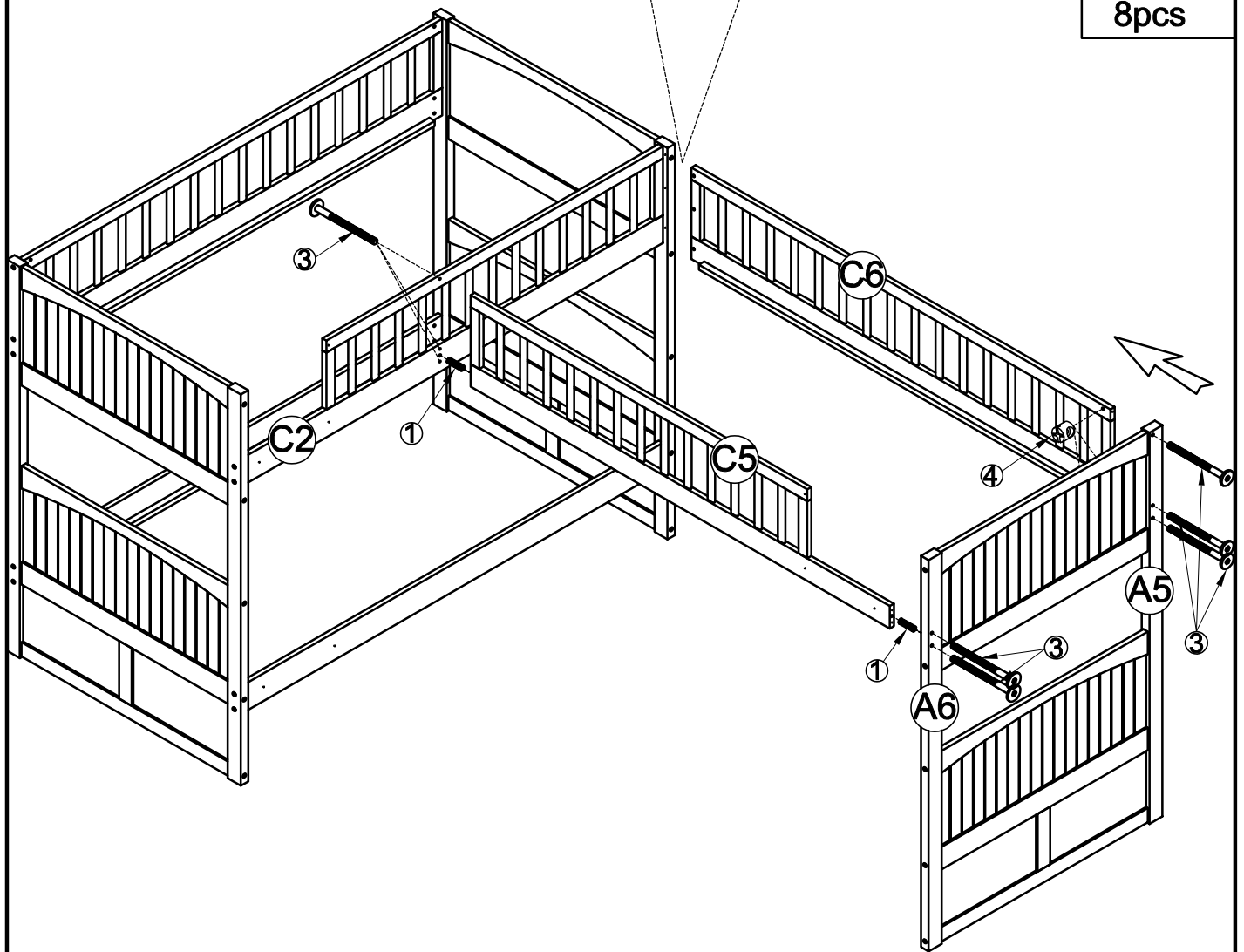
Following below illustration

-Using hardware #3,#4,#7,#8 and dowel #1 follow detail view to Assembly Frame (Completed on step 4) and Frame(Completed on step 1) with siderail C5,C6.

Look at detail view for more detail



| | |
|------|------|
| 3 | 1 |
| | |
| 8pcs | 4pcs |
| 13 | 8 |
| | |
| 3pcs | 3pcs |
| | 4 |
| | |
| | 8pcs |



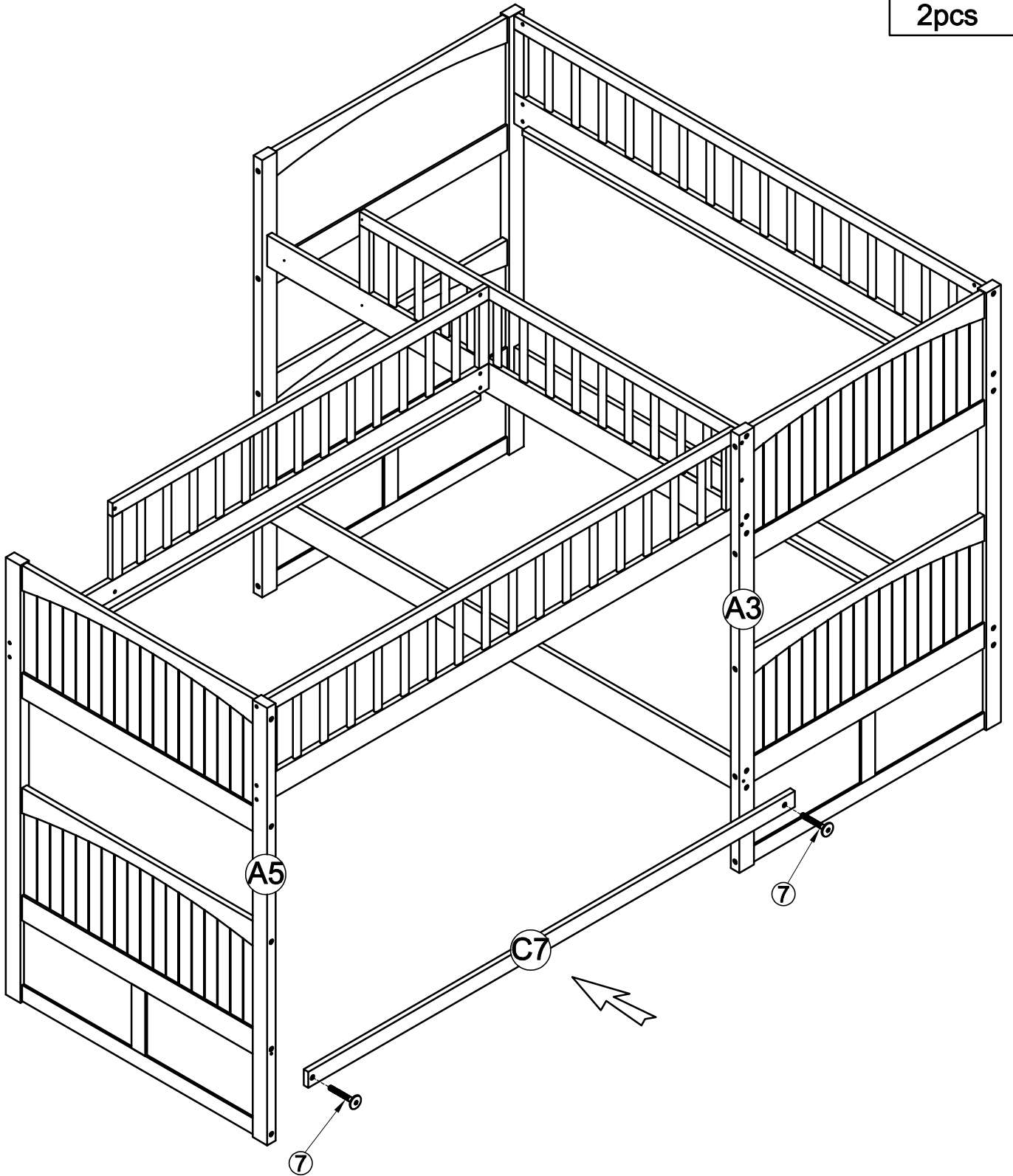
STEP 6: Following below illustration

-Using hardward #7 and follow detail view to Assembly Frame (Completed on step 5) with siderail C7. Look at detail view for more detail

7



2pcs



STEP 7:

Following below illustration:

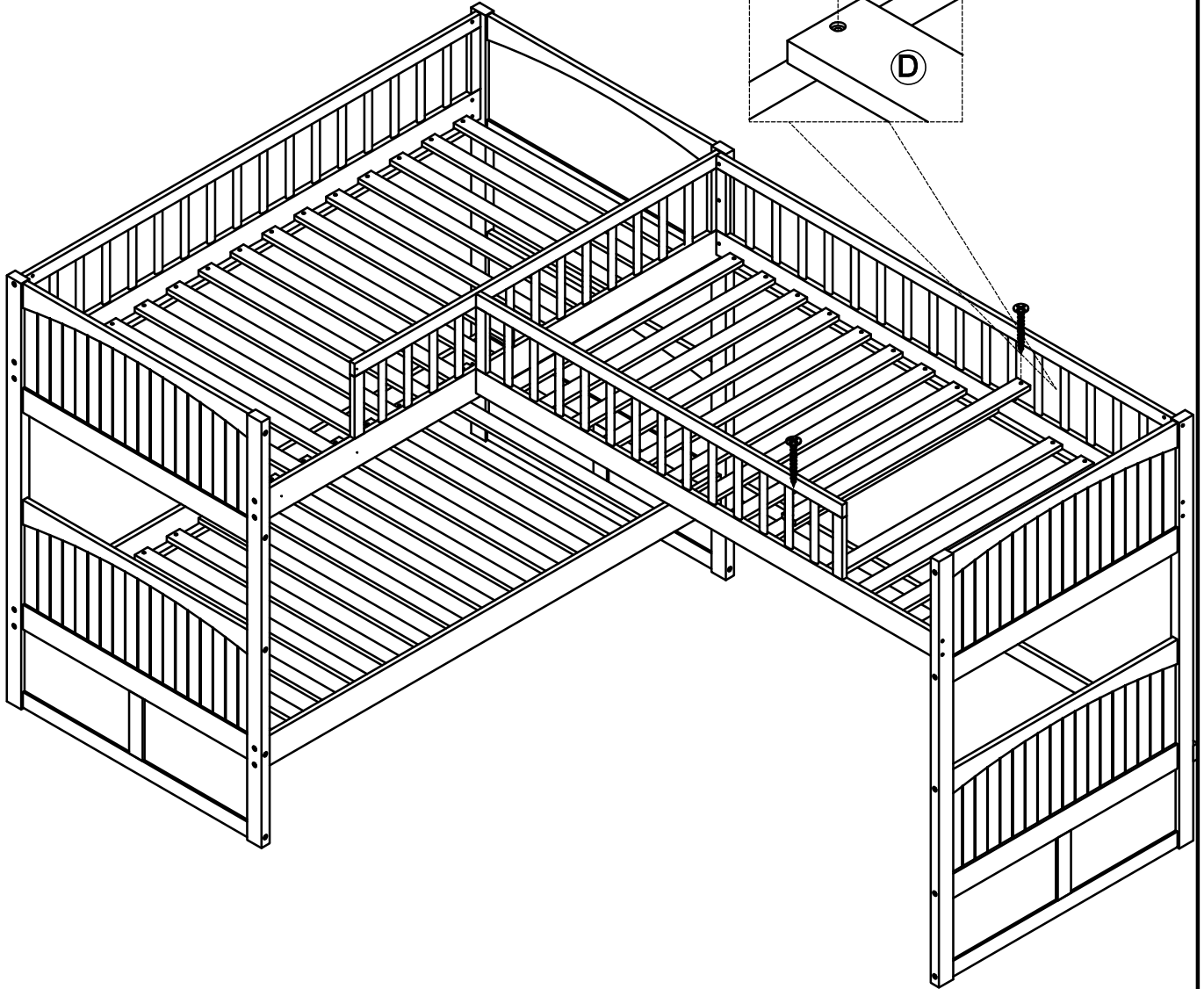
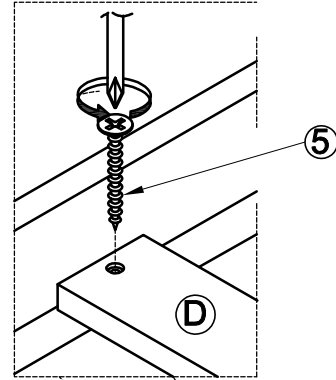
-Screw 42 slats D with Side Rail C1,C2,C3,C4,C5,C6 by using hardward #5.

-Look at detail view for more detail



5

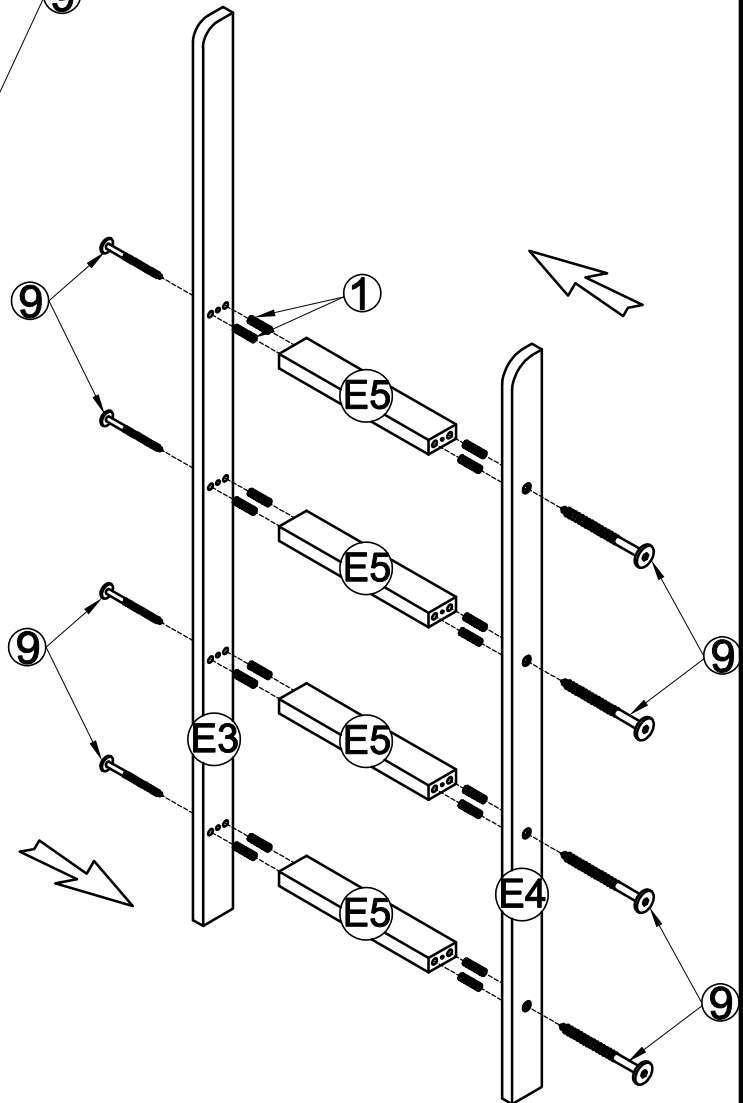
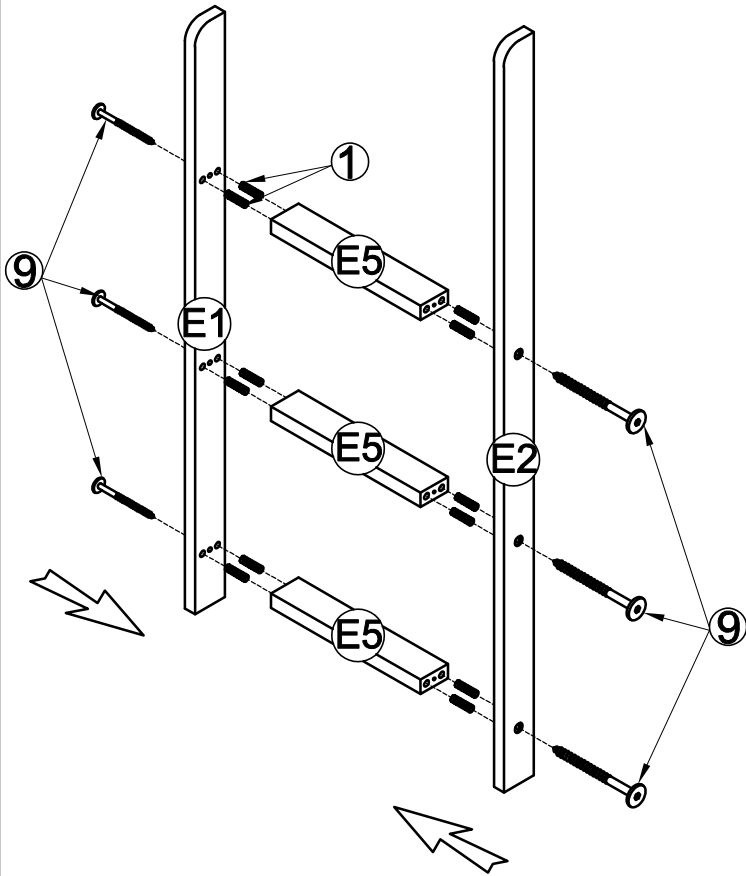


84pcs



STEP 8: ASEMBLY LADDER

| | |
|---|---|
| 9 | 1 |
|  |  |
| 14(pcs) | 28(pcs) |



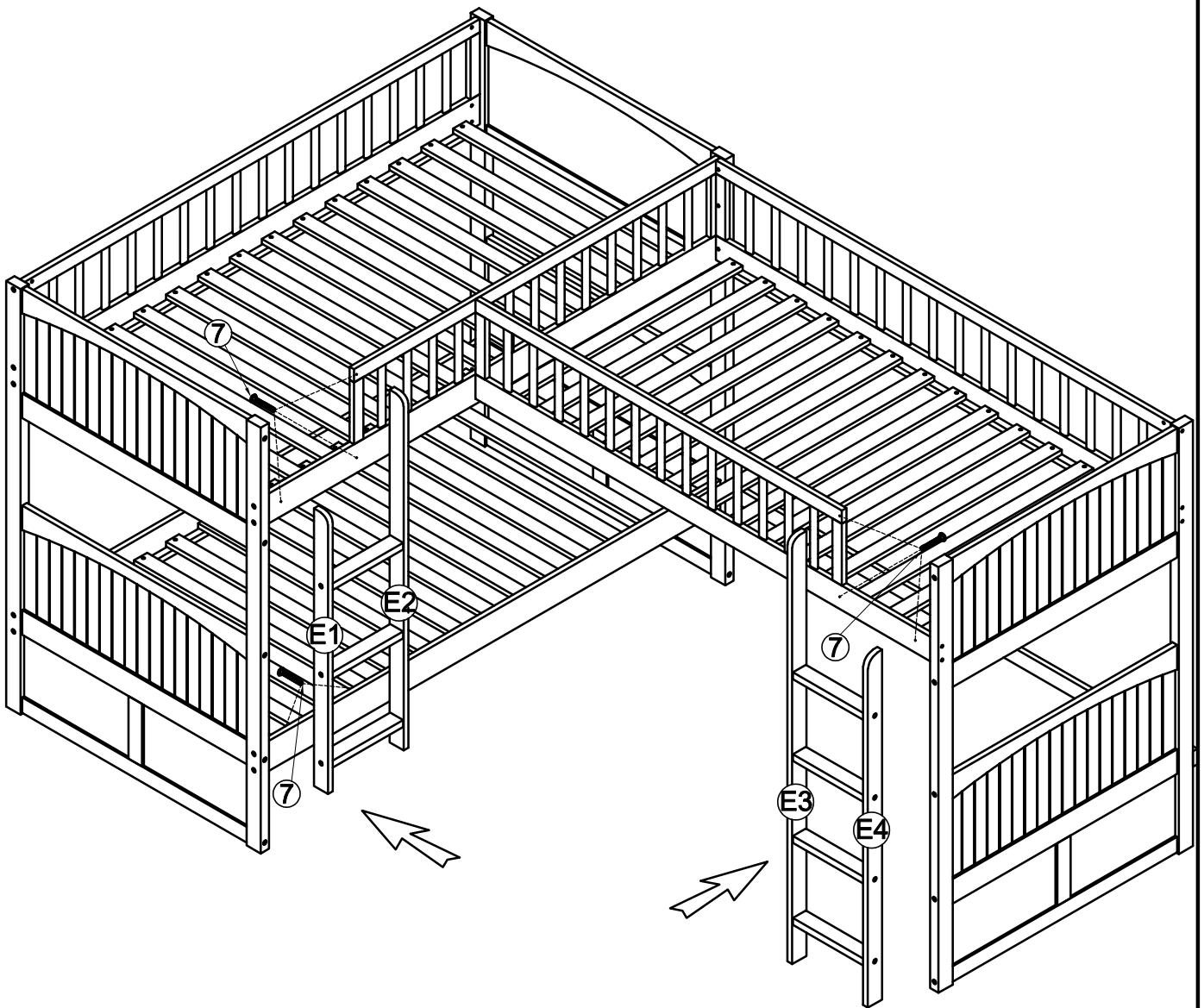
STEP 9: Following below illustration

Using hardware #7 connect Ladder (completed on step 8) with Frame (completed on step 7)

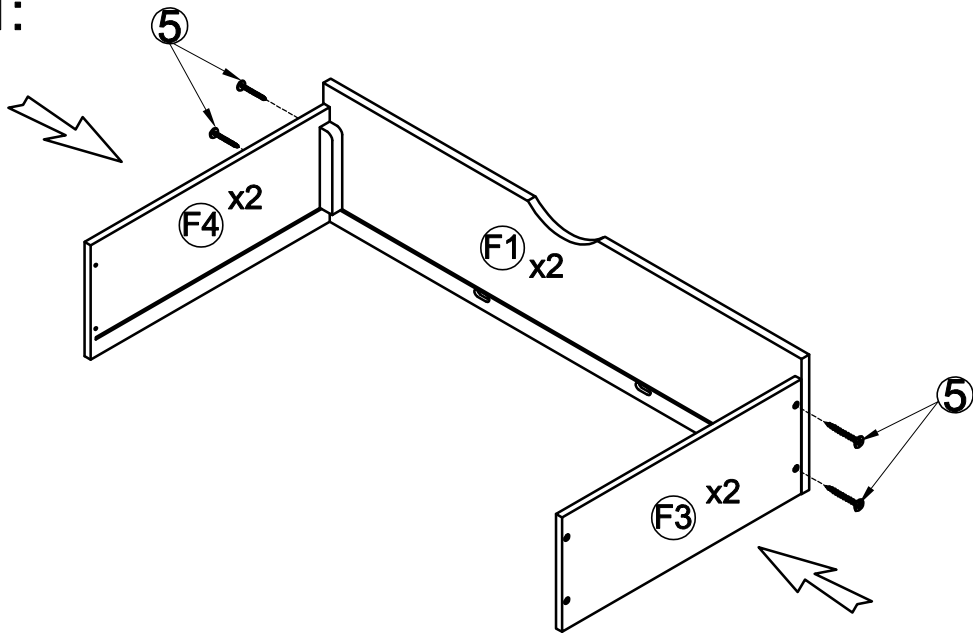
7



8pcs



STEP 10-1:

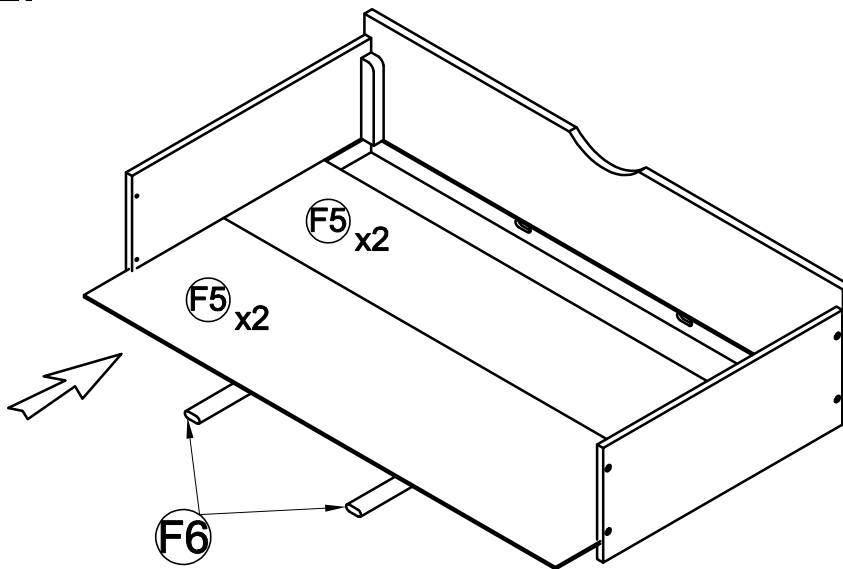


5

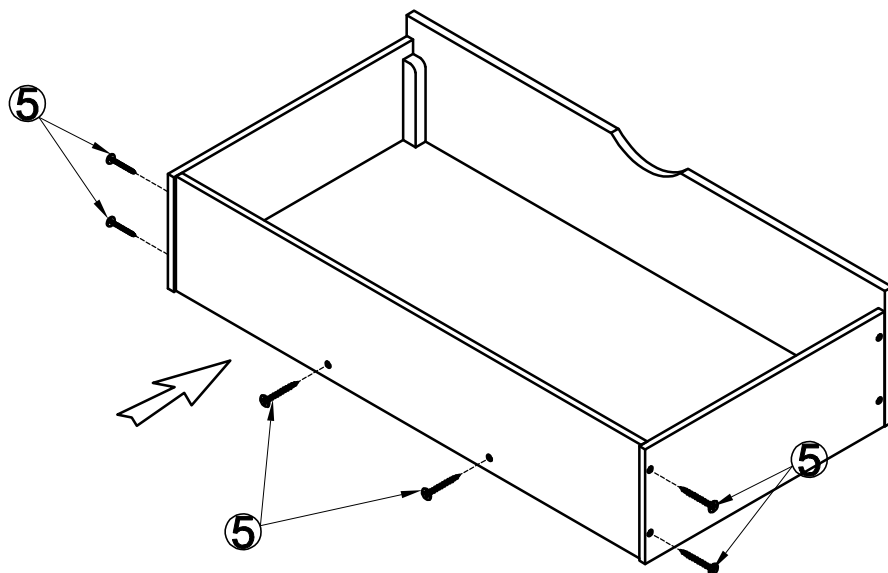


4x2pcs

STEP 10-2:



STEP 10-3:





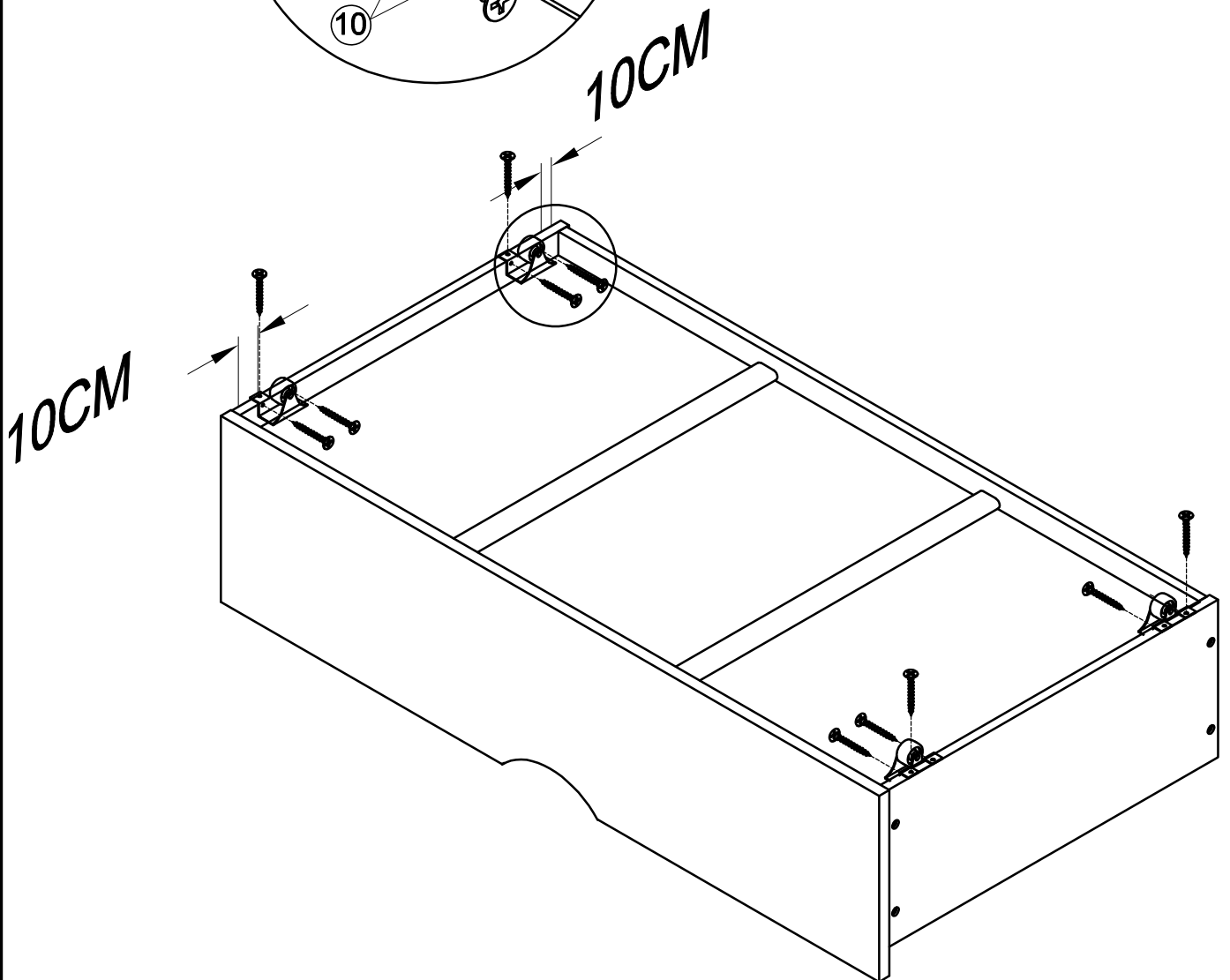
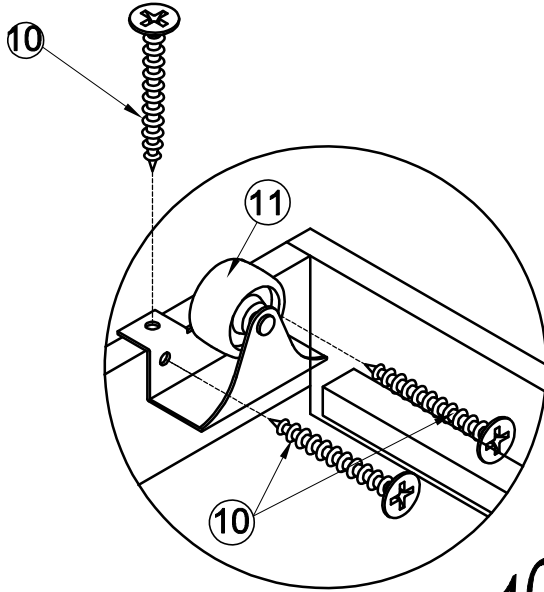
5



6x2pcs

STEP 10-4:

| | |
|---|---|
| 11 | 10 |
|  |  |
| 2x4(pcs) | 2x12(pcs) |



STEP 11: CONGRARULATION. YOU HAVE COMPLETED THE BED.

Just one more step to push 2 Drawer into it position

