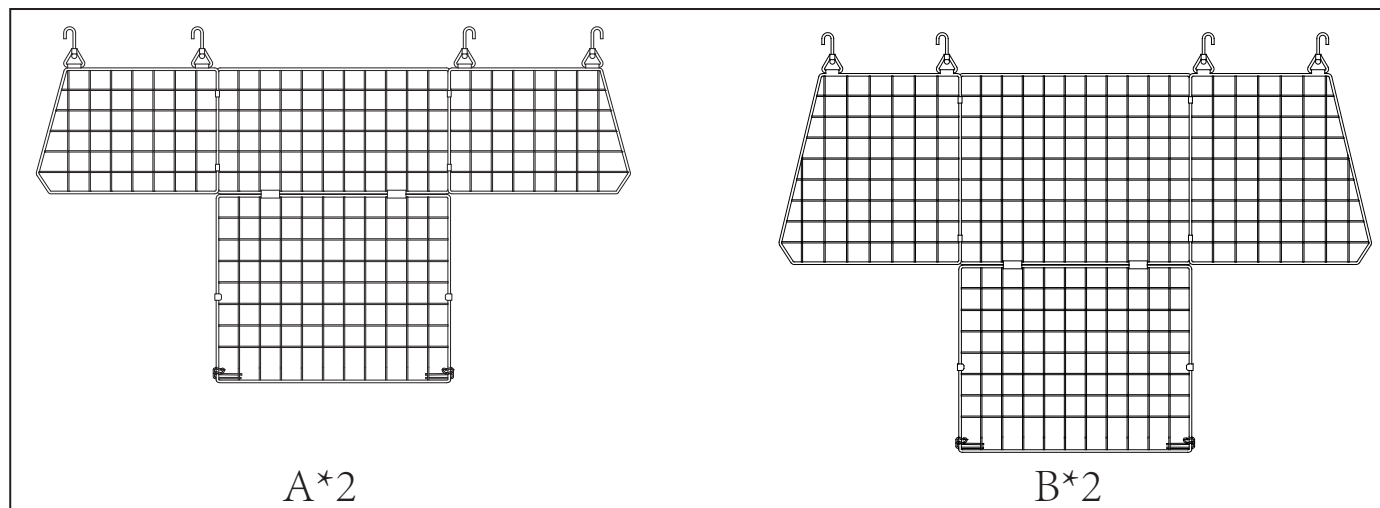


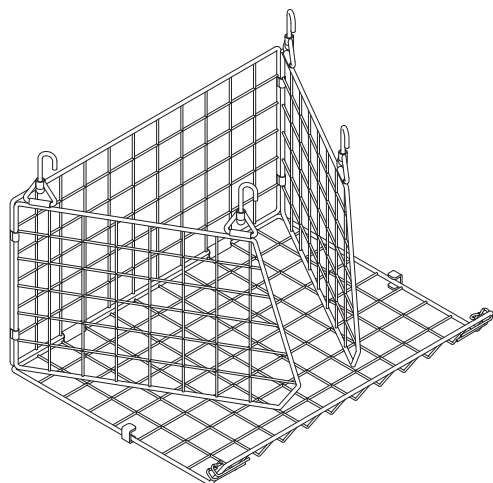
Installation Instructions

Accessories include

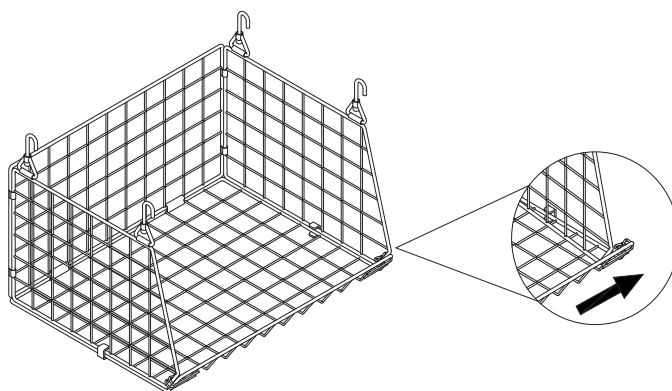


Installation Steps

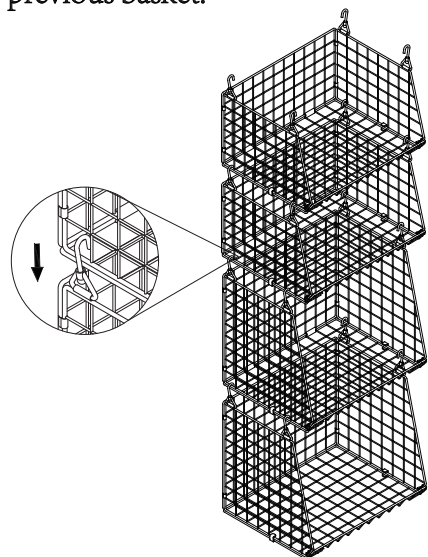
1. Place Basket as the picture shows.



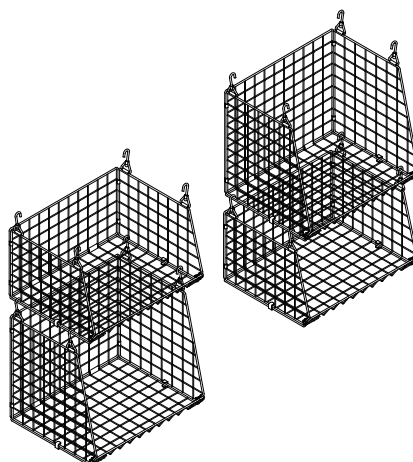
2. Use the buckle on Buckles' Sides to connect the bottom sides, then buckle tightly.



3. Stack four baskets together.
Note: The connection between the baskets can be made with hooks hanging from the bottom of the previous basket.



4. Can be used in a set of two baskets hung up. It depends on your needs.



5. Each basket can be used alone. DIY the combination. Note: The hook on the basket can be rotated 360 degrees as needed.

