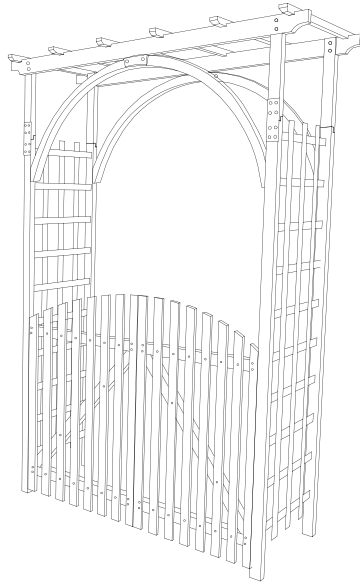


VINGLI Wooden Arbor Assembly Instruction

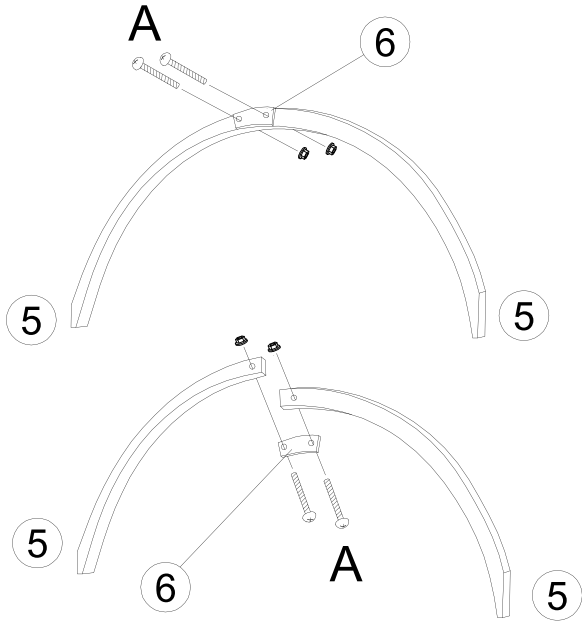
PLEASE READ THROUGH BEFORE BEGINNING ASSEMBLY.

1. Check boxes for Contents Listed.
 2. In the event of missing, damaged or defective parts, please feel free to reach out to us.
 3. Suggest two people to assemble it to avoid parts falling.
- Note: To add stability of assembly, apply small amount of exterior wood glue to wood holes and rods during assembling.



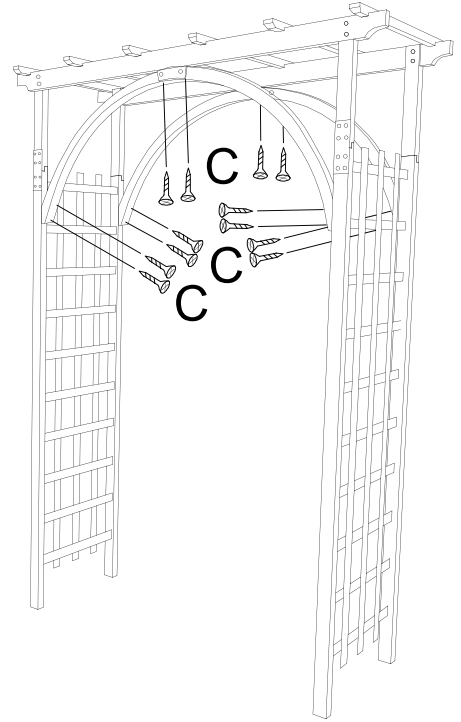
① (2pcs)				② (2pcs)				③ (6pcs)		④ (4pcs)		⑤ (4pcs)		⑥ (2pcs)	
⑦ (1pc)	⑧ (1pc)	⑨ (1pc)	⑩ (1pc)	⑪ (1pc)	⑫ (1pc)	⑬ (1pc)	⑭ (1pc)	⑮ (1pc)	⑯ (1pc)	⑰ (1pc)	⑱ (1pc)	⑲ (1pc)	⑳ (1pc)	㉑ (1pc)	㉒ (1pc)
⑳ (3pcs)		㉑ (1pc)		㉒ (2pcs)		A (4sets)		B (8sets)		C (24pcs)		D (4pcs)		E (44pcs)	
F (32pcs)		G (12pcs)		H (8pcs)		I (4pcs)		J (1pc)		TOOLS & MATERIALS NEEDED					
3.5X25MM		3.5X20MM													

5



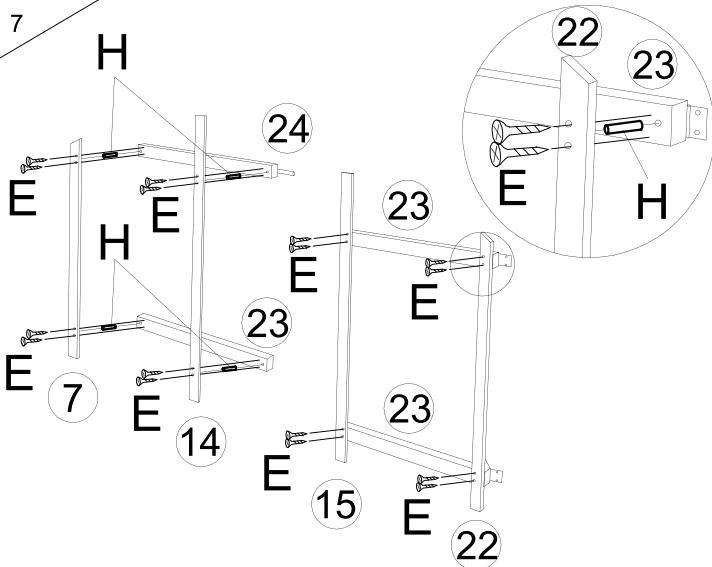
- 5 = 4PCS
- 6 = 2PCS
- A = 4SETS

6

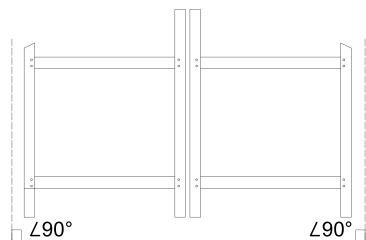


C = 12PCS

7

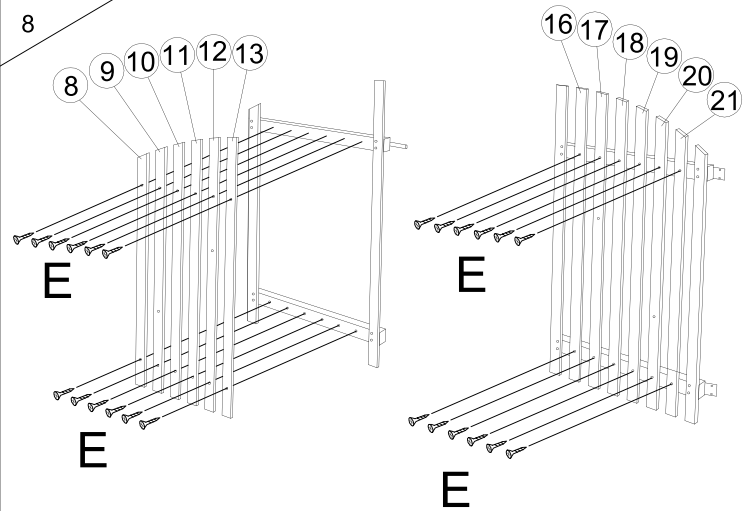


- 7 = 1PC
- 14 = 1PC
- 15 = 1PC
- 22 = 1PC
- 23 = 3PCS
- 24 = 1PC
- H = 8PCS
- E = 16PCS

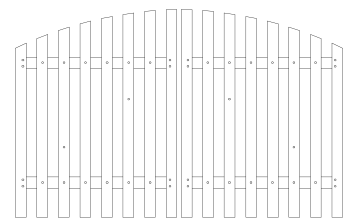


This step requires ensuring that the components are kept at a 90-degree right angle.

8

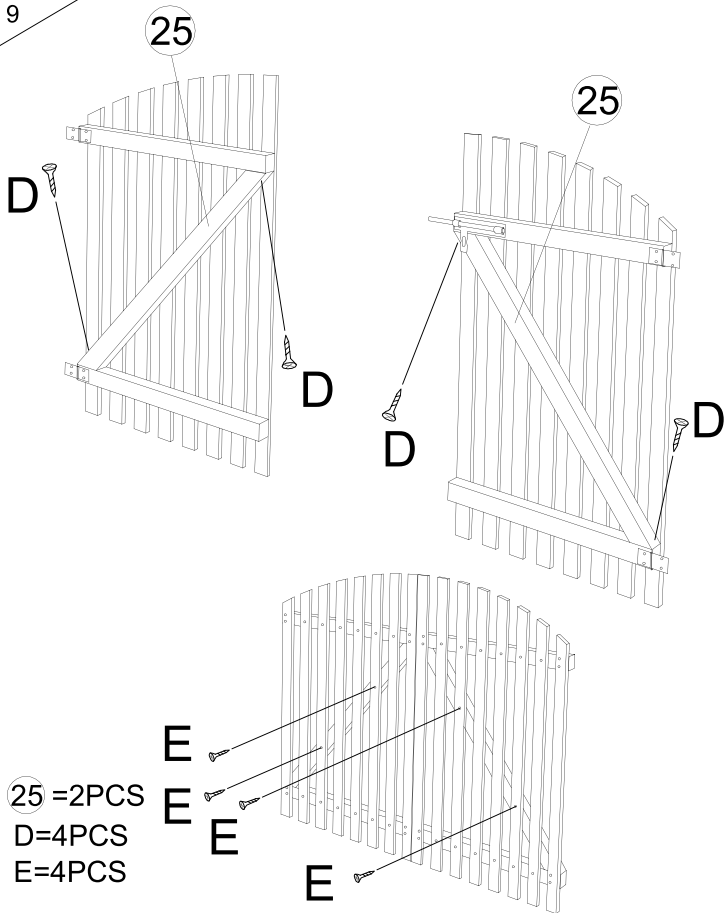


- 8 = 1PC
- 9 = 1PC
- 10 = 1PC
- 11 = 1PC
- 12 = 1PC
- 13 = 1PC
- 16 = 1PC
- 17 = 1PC
- 18 = 1PC
- 19 = 1PC
- 20 = 1PC
- 21 = 1PC
- E = 24PCS

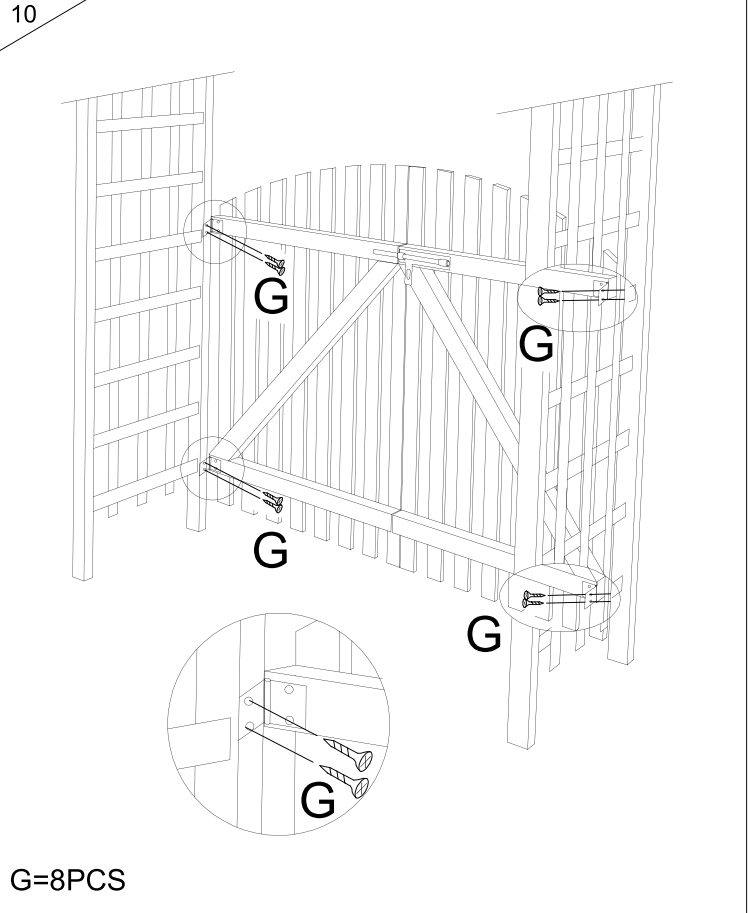


Keep the bottom of each board level and ensure that the boards on both sides of the gate are symmetrical as shown in the diagram.

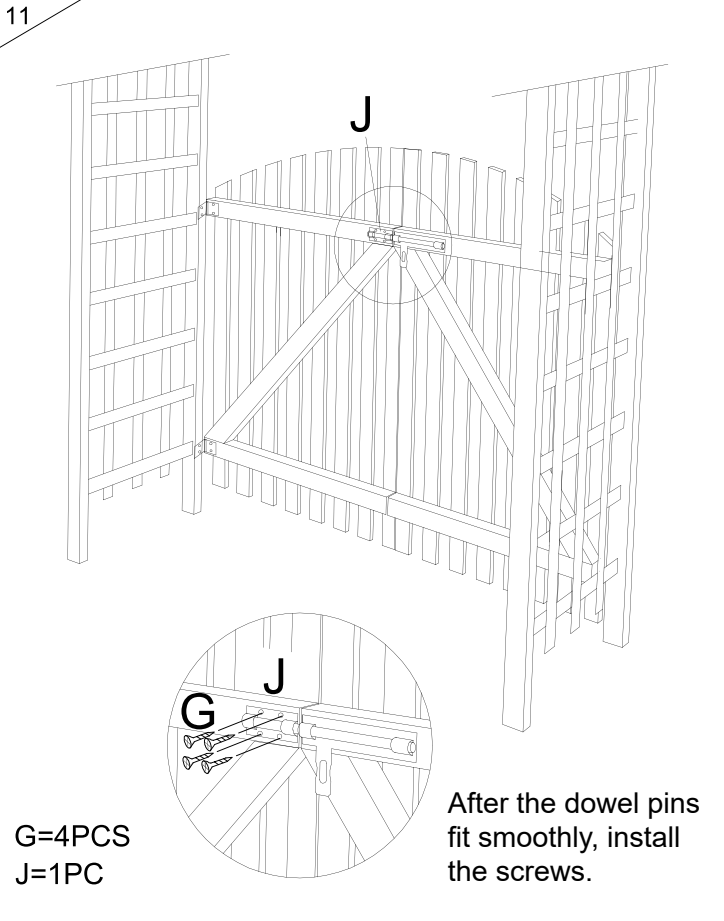
9



10



11



12

