

## Bed Frame

Dimension: Full: 150.5\*200\*(95-110)cm  
Queen: 165.5\*213\*(95-110)cm

### Tips!

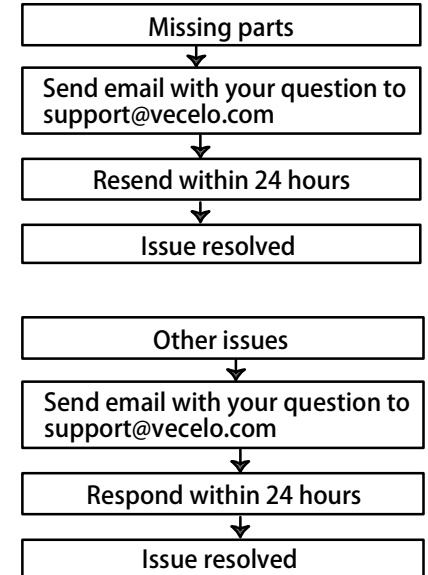
Check all the components & screws before assembly. **Do not install in case part is missing, contact us to get.** Send email with your question to support@vecelo.com. We will resend within 24 hours.

### Return Policy

We believe you will absolutely love your new item. But if for some reason you want to return, please contact us directly before you decide to return your product. Our customer service organization can answer most concerns and assist you with any questions you may have about your new item, please email us first at: support@vecelo.com.

The item must be returned within 30 days of delivery for a full refund. The item must be returned in good condition, in original box, with all original proof of purchase, parts and accessories.

### Trouble shooting:

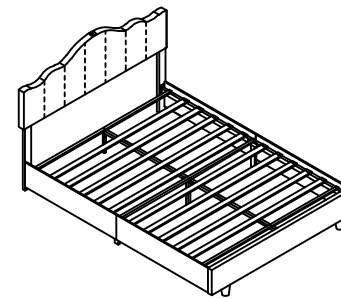


We control manufacturing and distribution ourselves, ensure the quality.

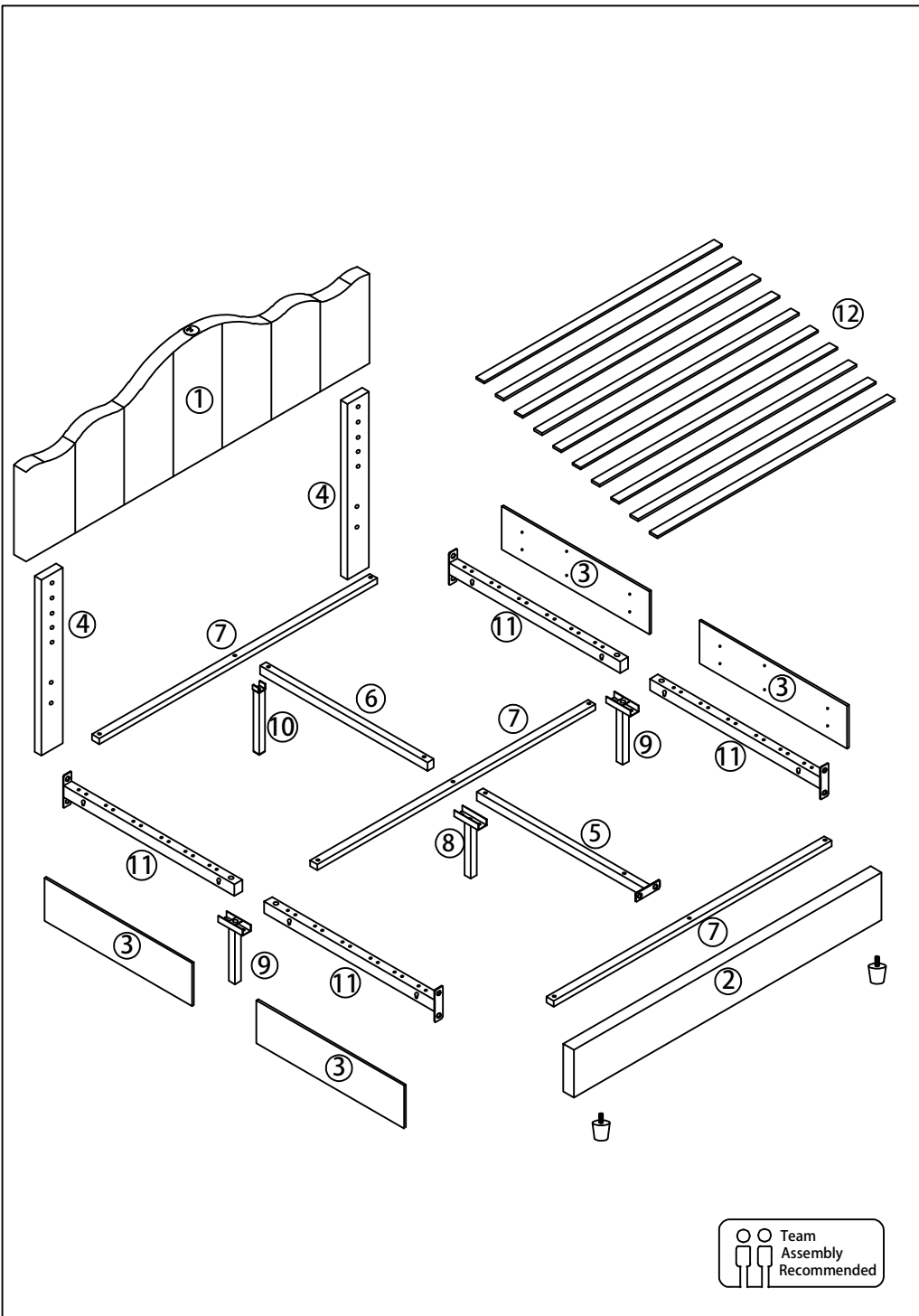
## How to find us?

Email: [support@vecelo.com](mailto:support@vecelo.com)

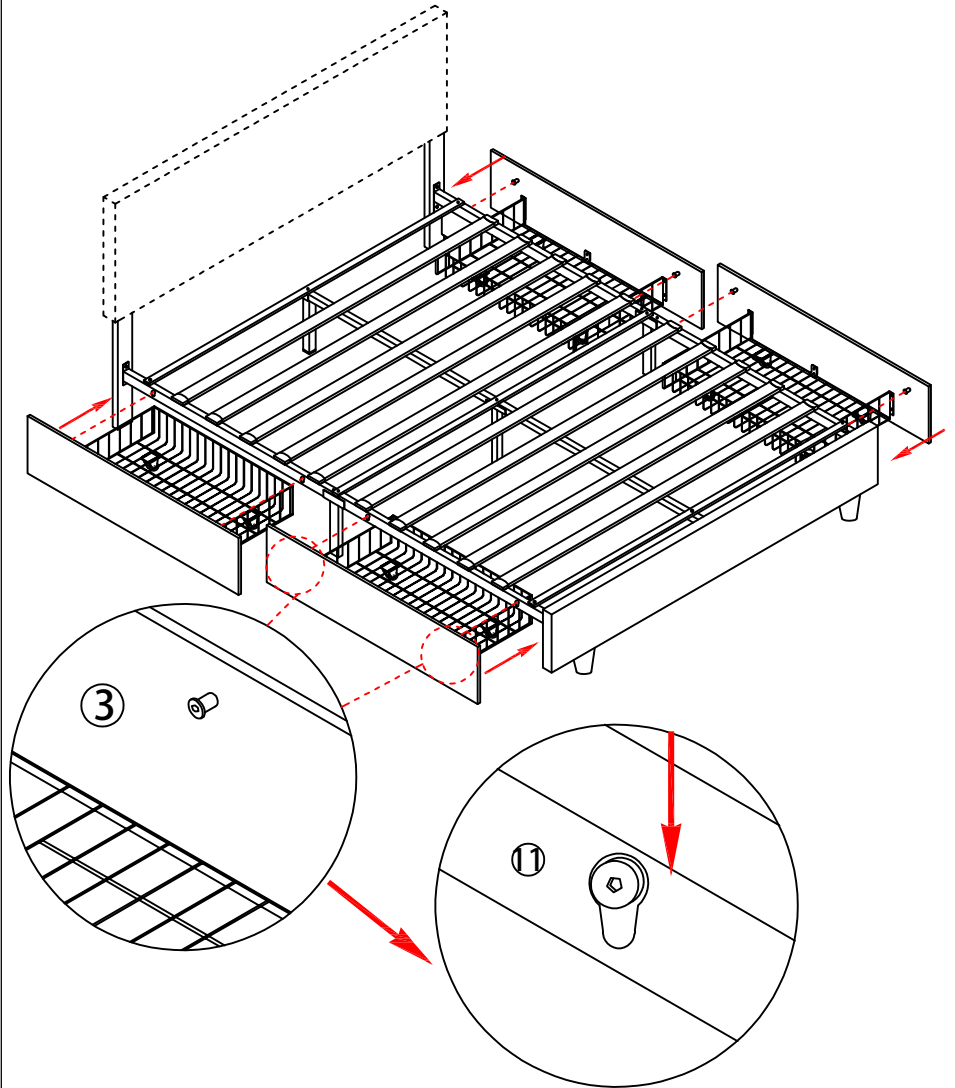
Website: [www.vecelo.com](http://www.vecelo.com)



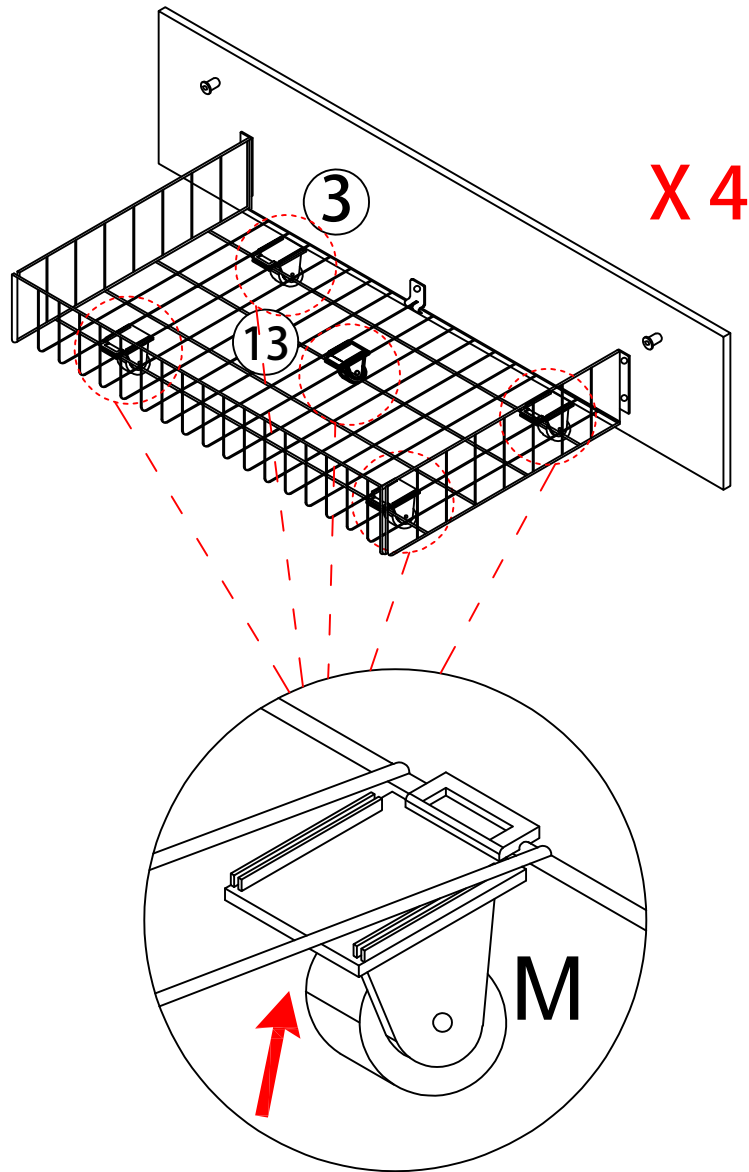
Item Description:	<u>Bed Frame</u>
Dimension:	<u>150.5*200*(95-110)cm</u>
	<u>165.5*213*(95-110)cm</u>
Model NO:	<u>CY-No.1</u>



### Step 13 Finished



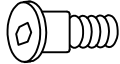

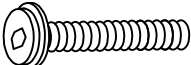






# Step 13 Assemble Wheels






## Components

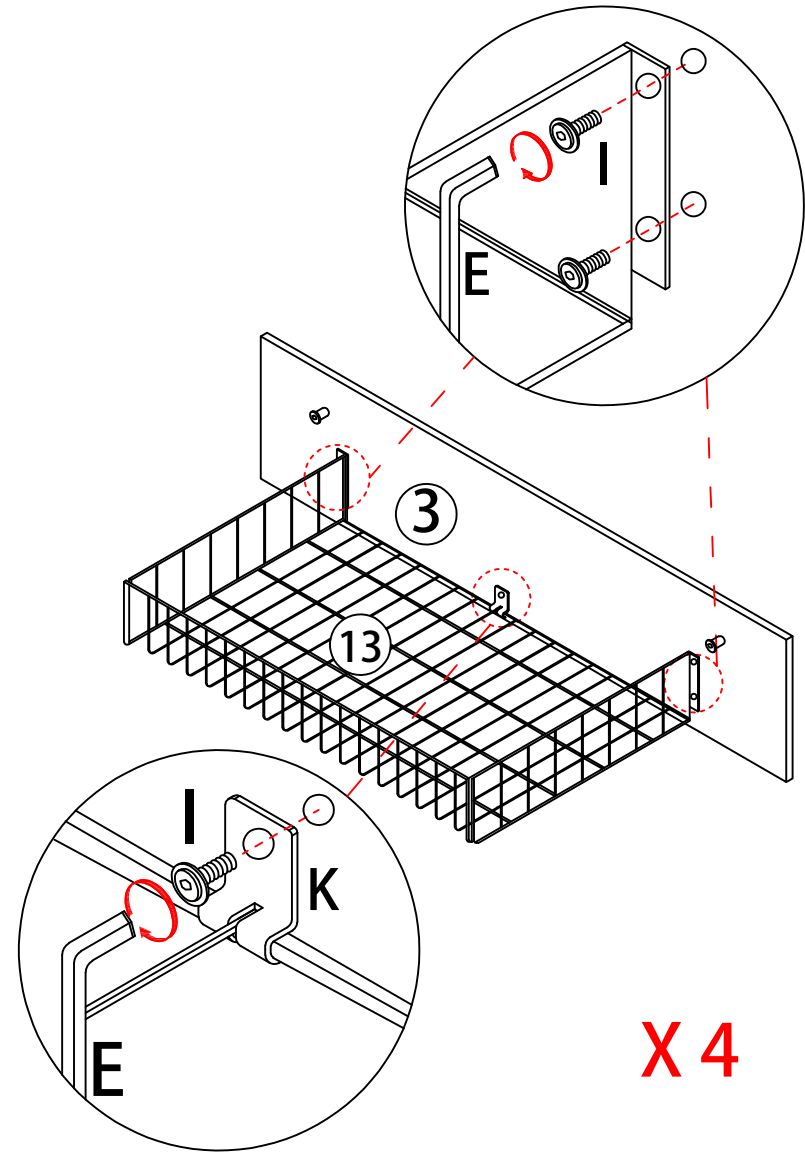
①		1pcs	②		1pcs
	FULL:150*54*8 QUEEN:165*54*8			FULL:143*24.5*5 QUEEN:158*24.5*5	
③		4pcs	④		2pcs
	FULL:96*24.5*2 QUEEN:102.5*24.5*2			FULL:73*7*2.5 QUEEN:73*7*2.5	
⑤		1pcs	⑥		1pcs
	FULL:94.6*8*2.5 QUEEN:100.9*8*2.5			FULL:86.4*2.5*2.5 QUEEN:92.9*2.5*2.5	
⑦		3pcs	⑧		1pcs
	FULL:138.6*2.4*1.2 QUEEN:154.1*2.4*1.2			FULL:22.25*9.4*3.1 QUEEN:22.25*9.4*3.1	
⑨		2pcs	⑩		1pcs
	FULL:22.25*12*3.6 QUEEN:22.25*12*3.6			FULL:21.95*3.1*2.5 QUEEN:21.95*3.1*2.5	
⑪		4pcs	⑫		10pcs
	FULL:94.7*9*3 QUEEN:101.2*9*3			FULL:138*5.2*1.2 QUEEN:153*5.2*1.2	

Screws & Tools

Ⓐ	 Bolt M6 x 10	8	Ⓑ	 Bolt M8 x 25	15
Ⓒ	 Bolt M8 x 45	14	Ⓓ	 Spacer	4
Ⓔ	 Allen Key M4	1	Ⓕ	 Allen Key M5	1
Ⓖ	 SHngle PlastHc Cap	20	Ⓖ	 Foot	2
Ⓙ	 Plug	1			

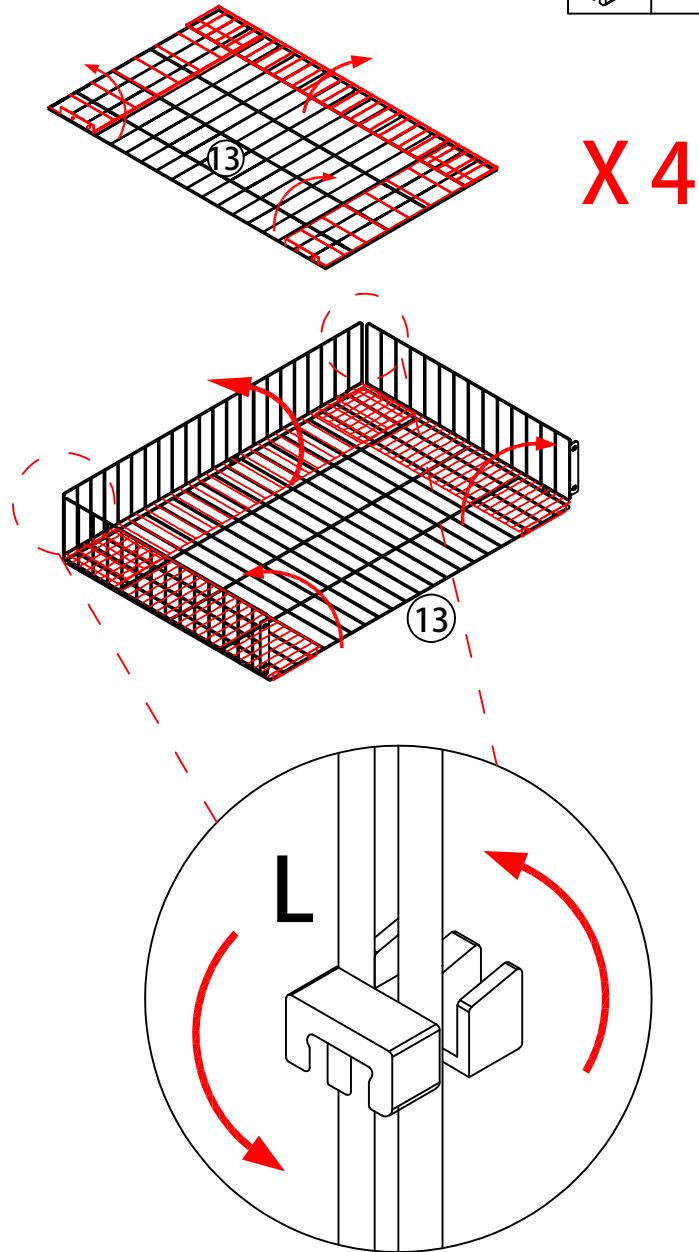
Step 12 Assemble Four Drawers

 I x 20
  K x 4
  E x 1



# Step 11

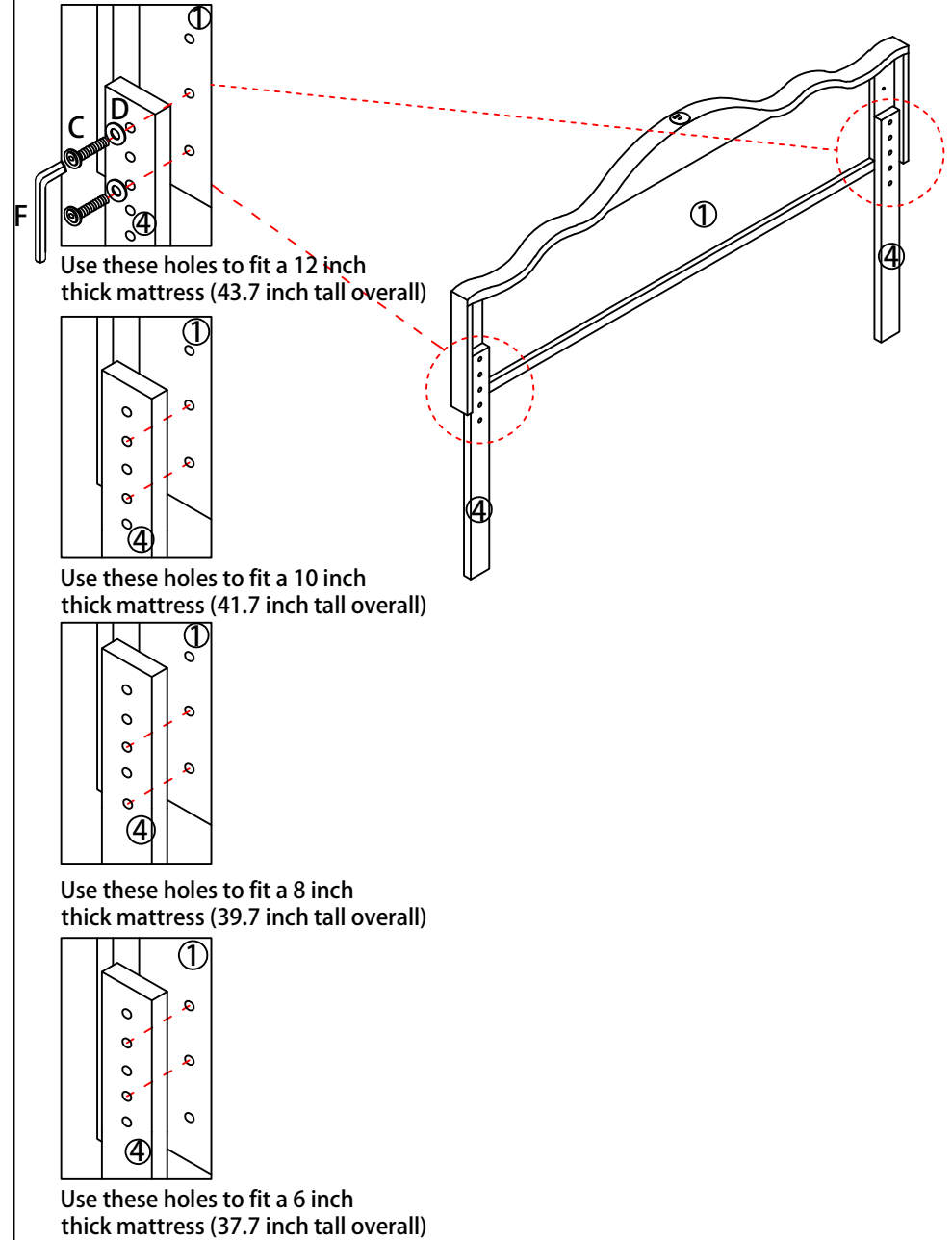
 L x 8




# Step 1 Assemble Headboard

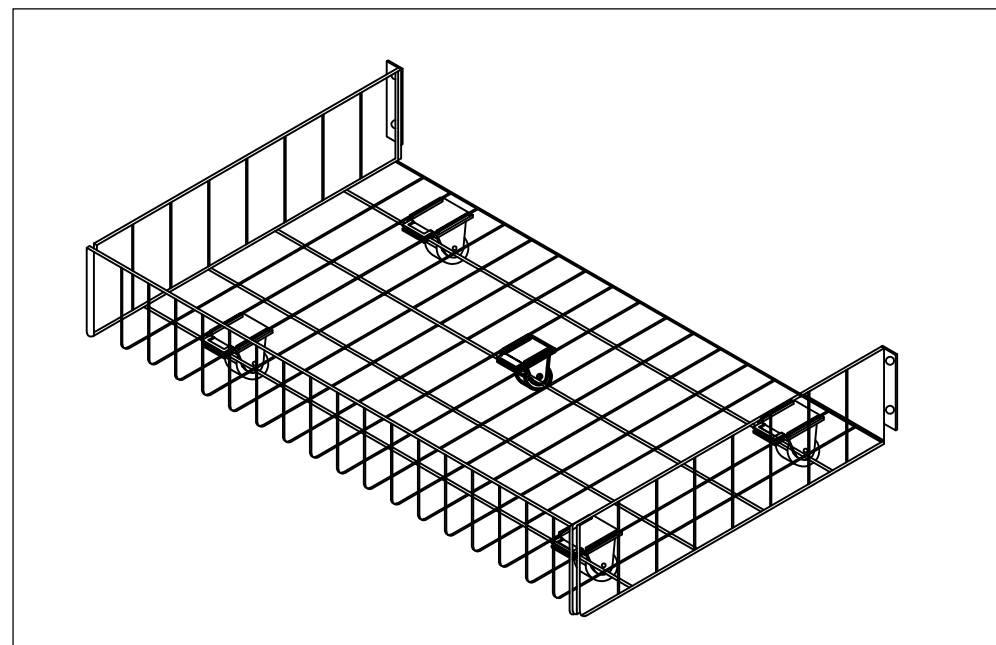
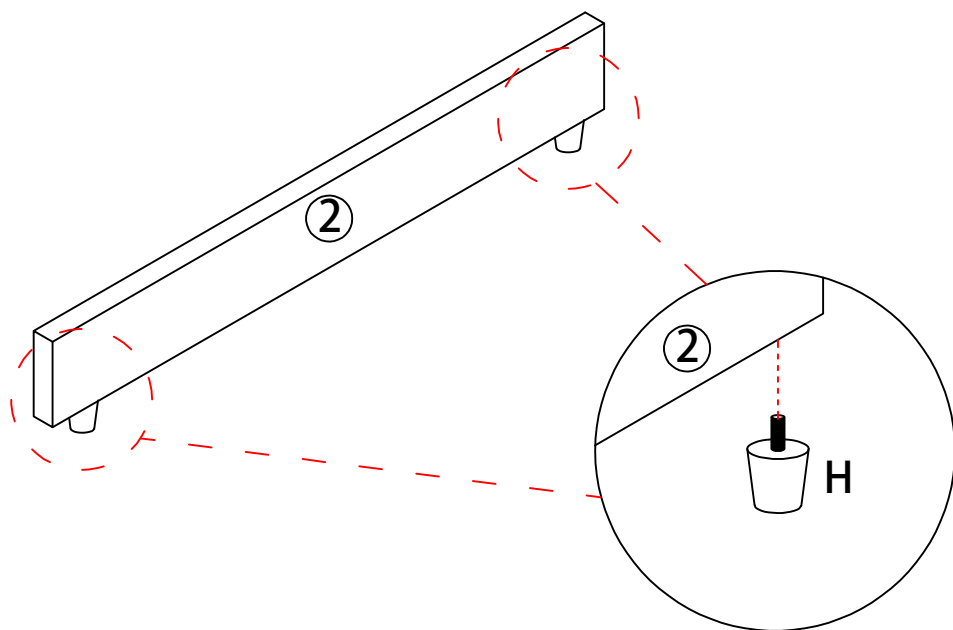
 C x 4  D x 4  F x 1

Each set of holes matches a mattress thickness as displayed below






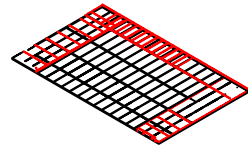


## Step 2 Assemble Footboard

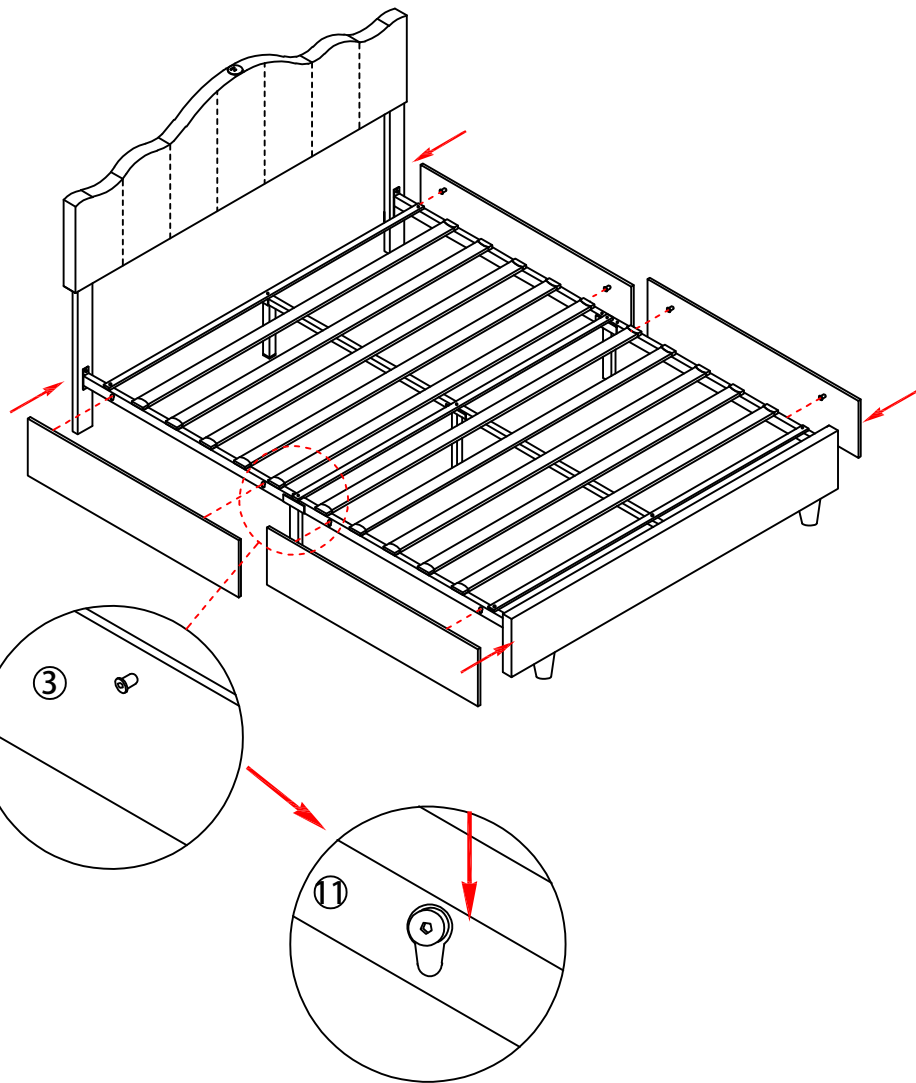
 H x 2



### Screws & Tools

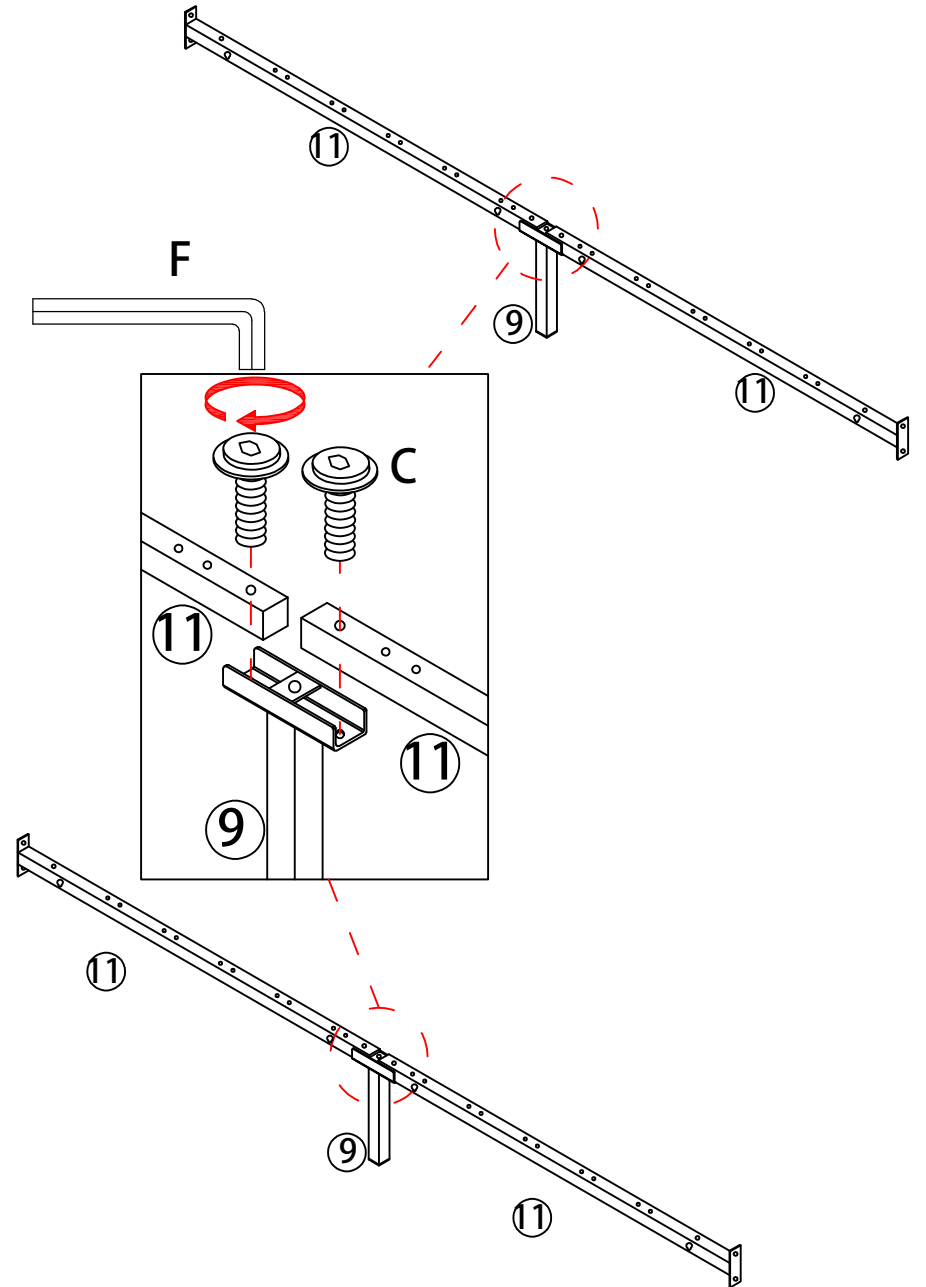
(I)	 Bolt M6 x 15	20	(K)	 Hook	4
(L)	 Plastic Buckles	8	(M)	 Wheel	20
(E)	 Allen Key M4	1	(13)		4

# Step 10



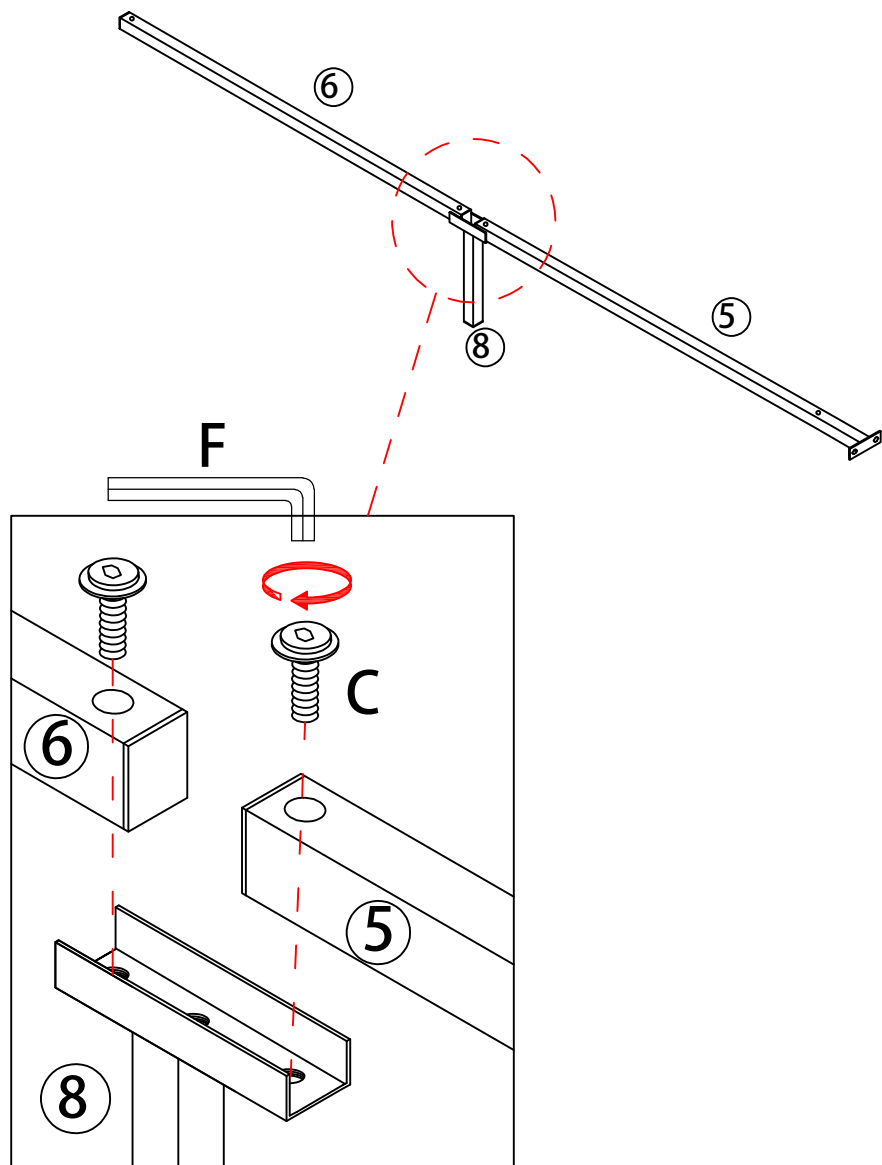
# Step 3 Assemble Two Side Frame

C x 4    F x 1



### Step 4 Connect Part 5, 6 and 8

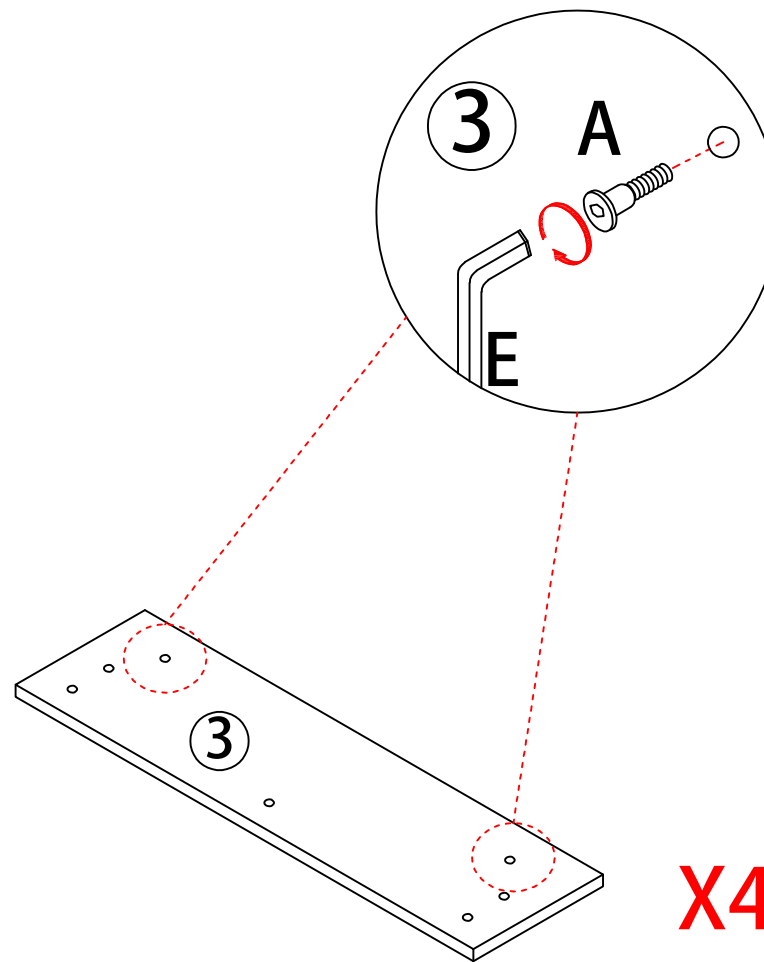
Cx2 Fx1



### Step 9

Ax8 Ex1

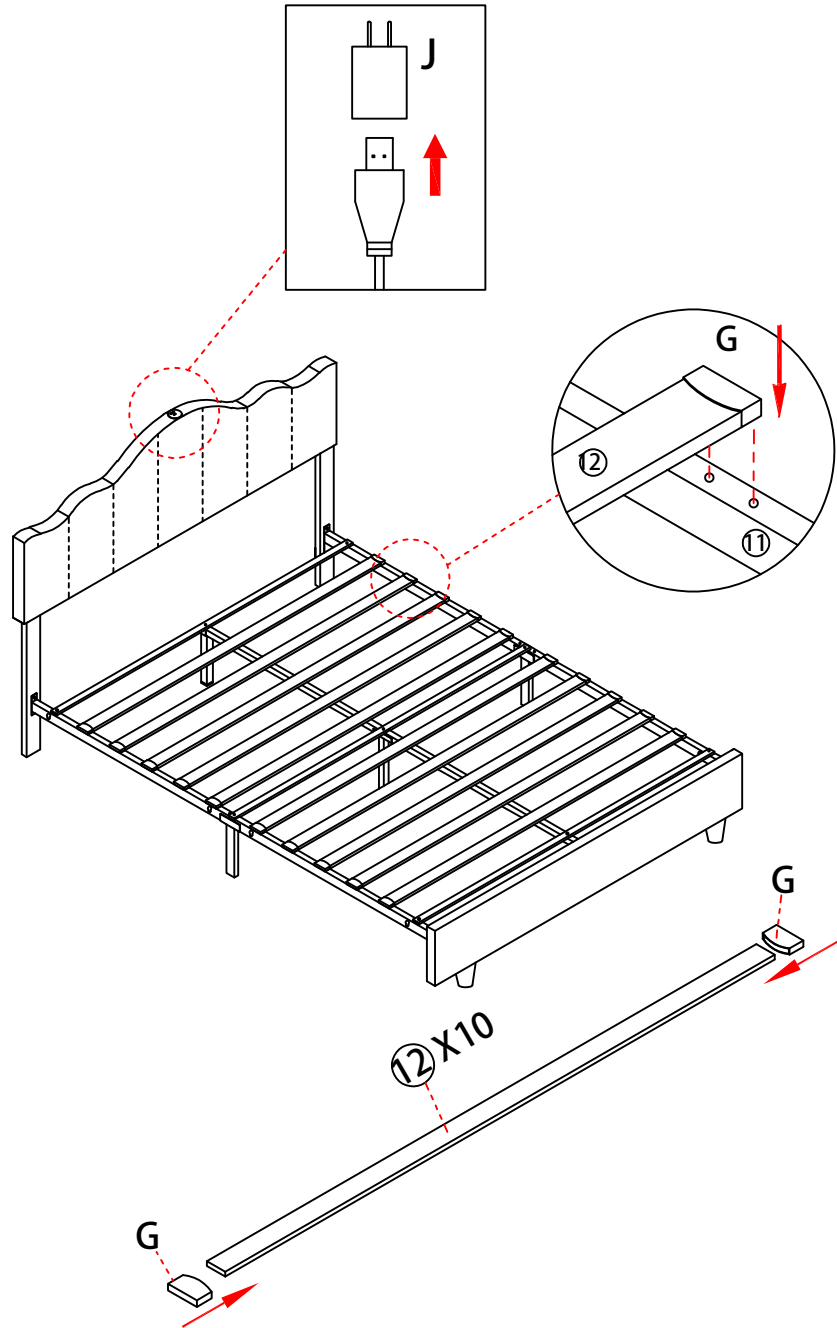
If you don't need a drawer, please proceed with installing four baffles. If a drawer is needed, skip step 9 and 10 and proceed directly to step 11



X4

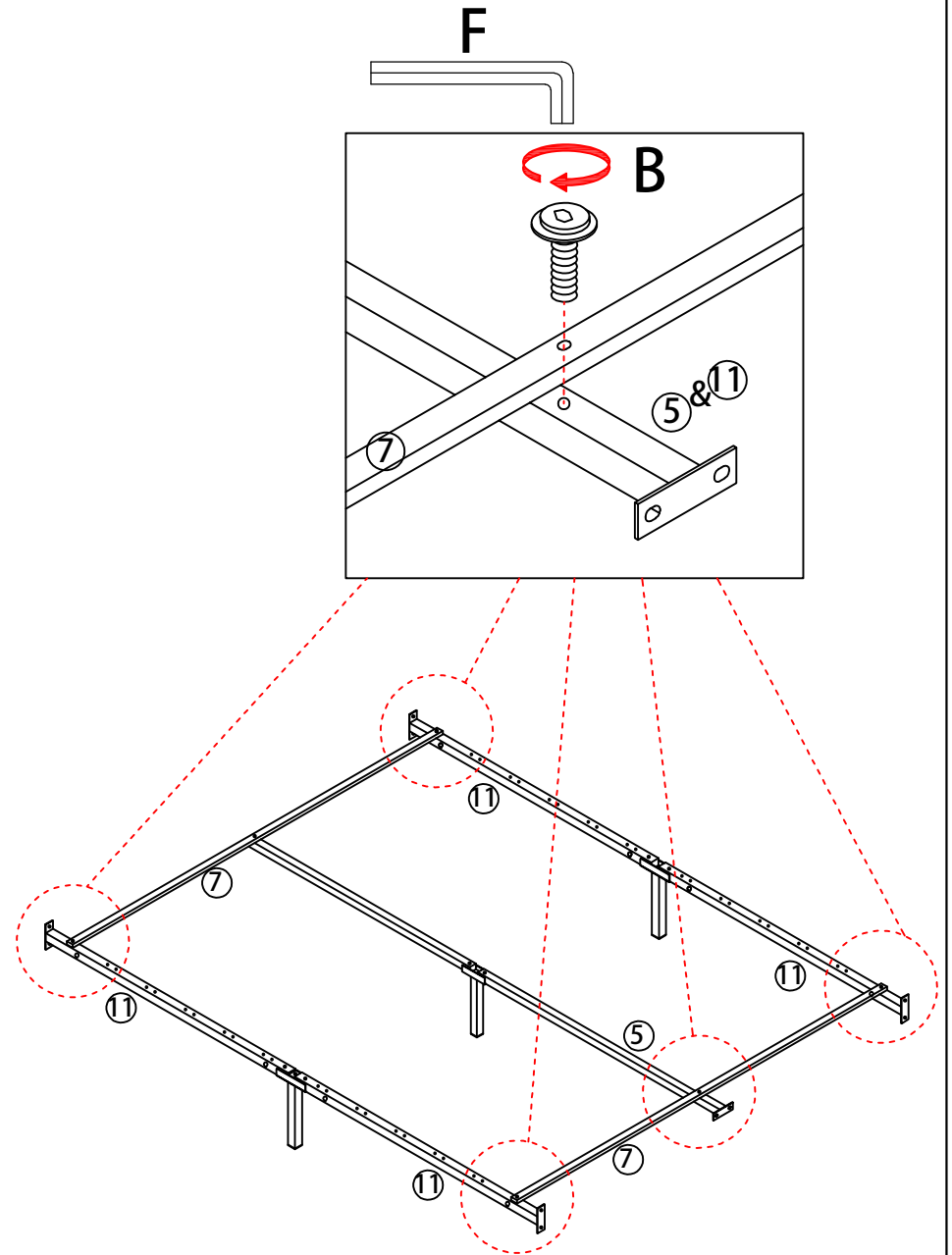
# Step 8 Assemble Bed Slats

JX 1 G x 20



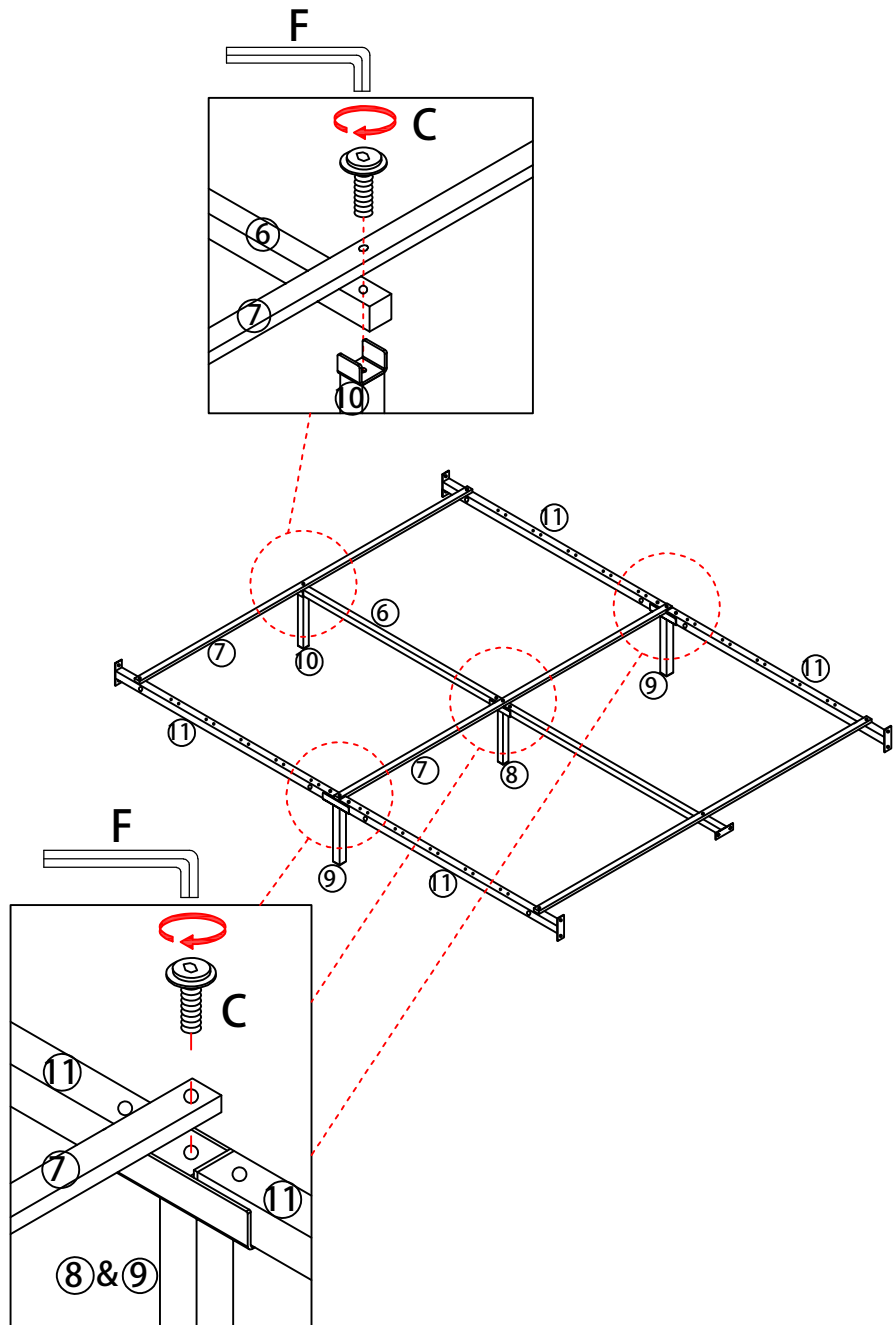
# Step 5 Connect Part 7 to Bed Frame

B x 5 F x 1



### Step 6 Assemble Center Support Leg

C x 4    F x 1



### Step 7 Connect Headboard and Footboard

B x 10    F x 1

