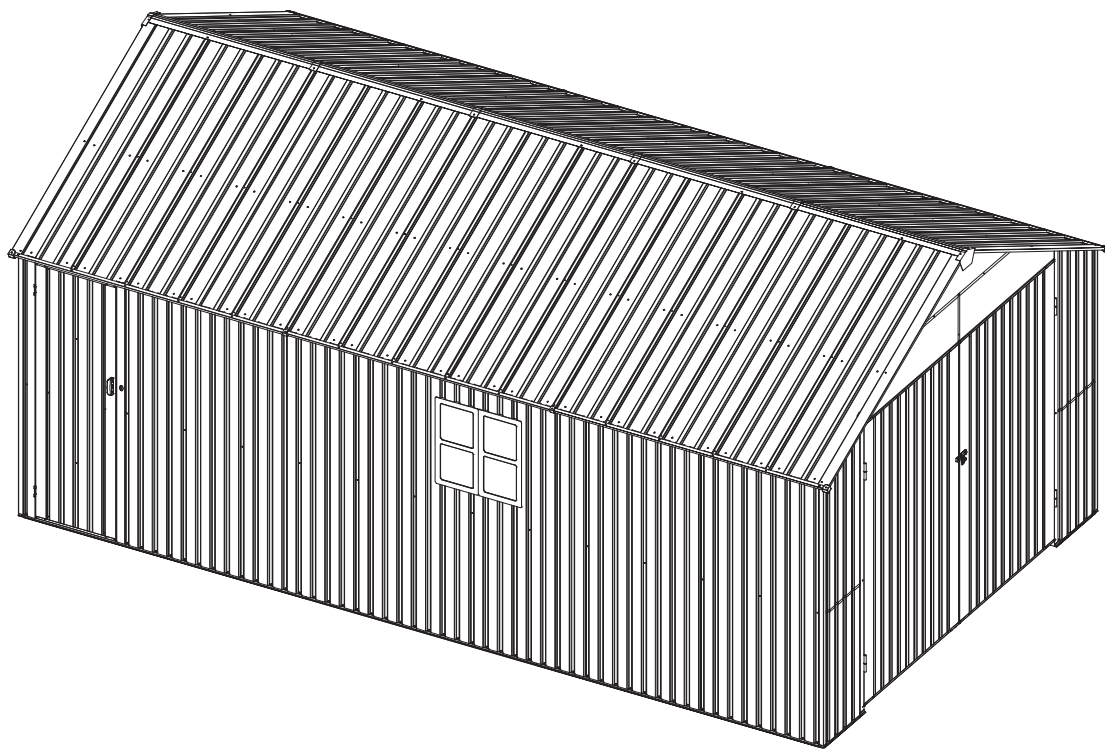


MANUAL INSTRUCTION

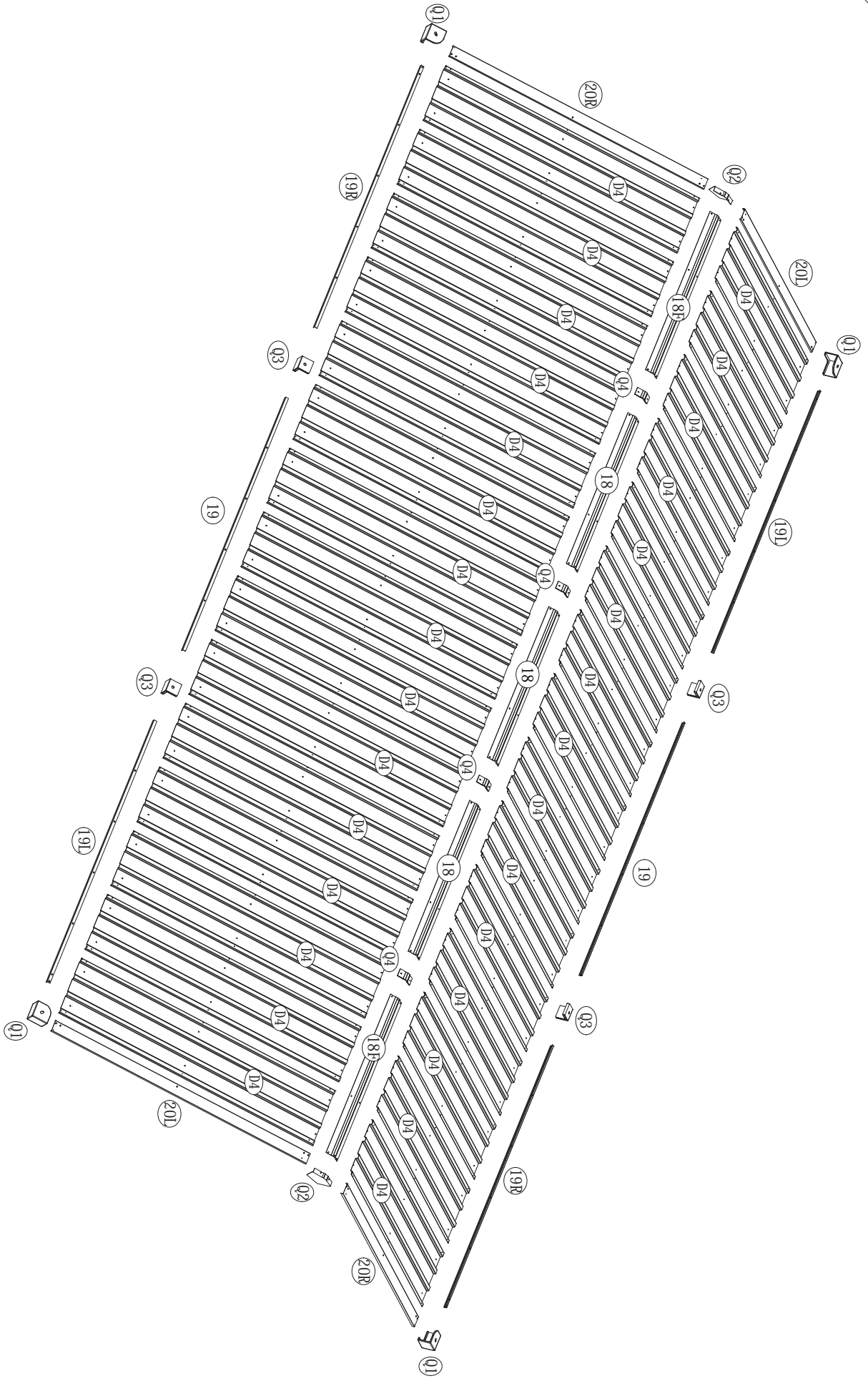
Galvanized Steel Arrow Carport

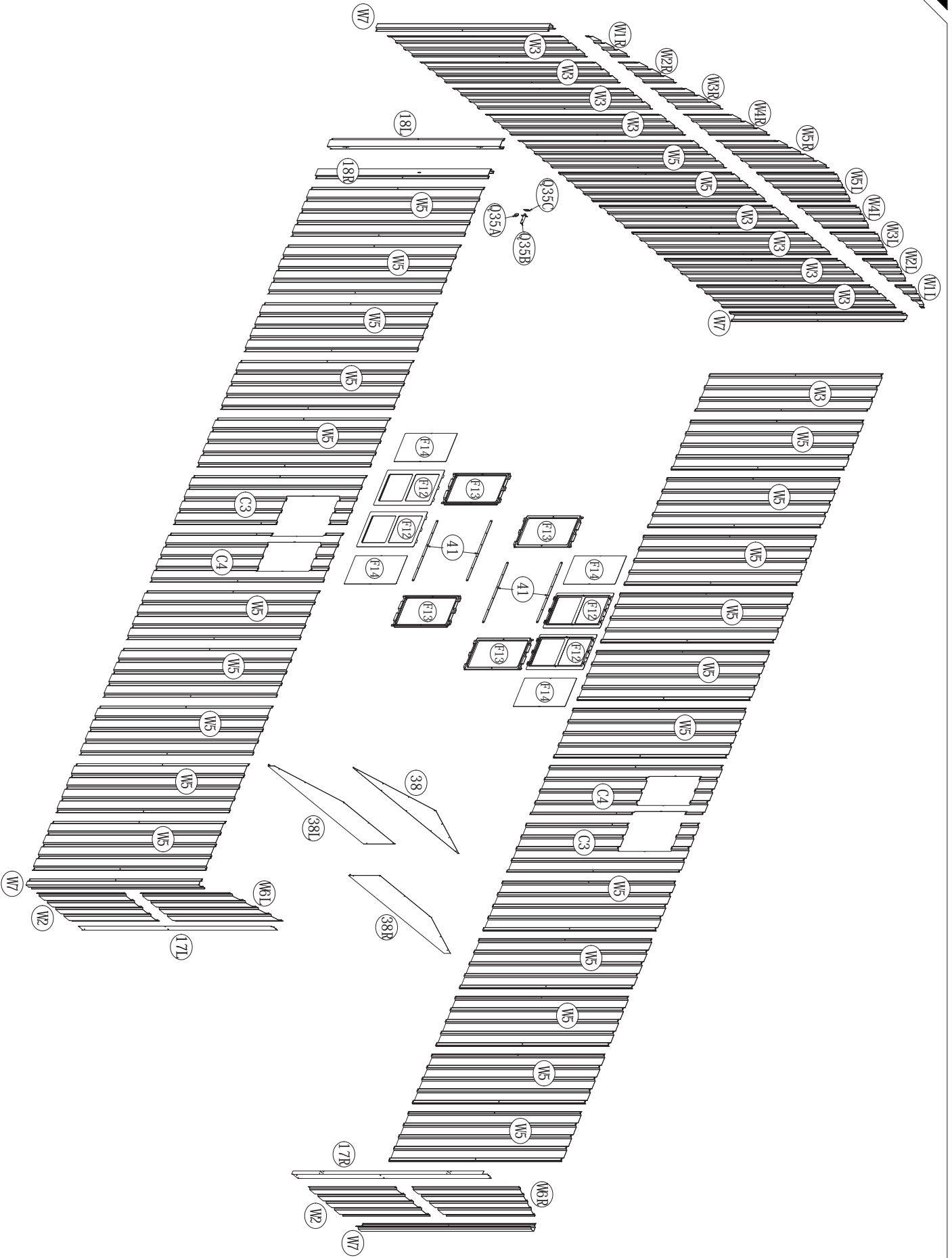


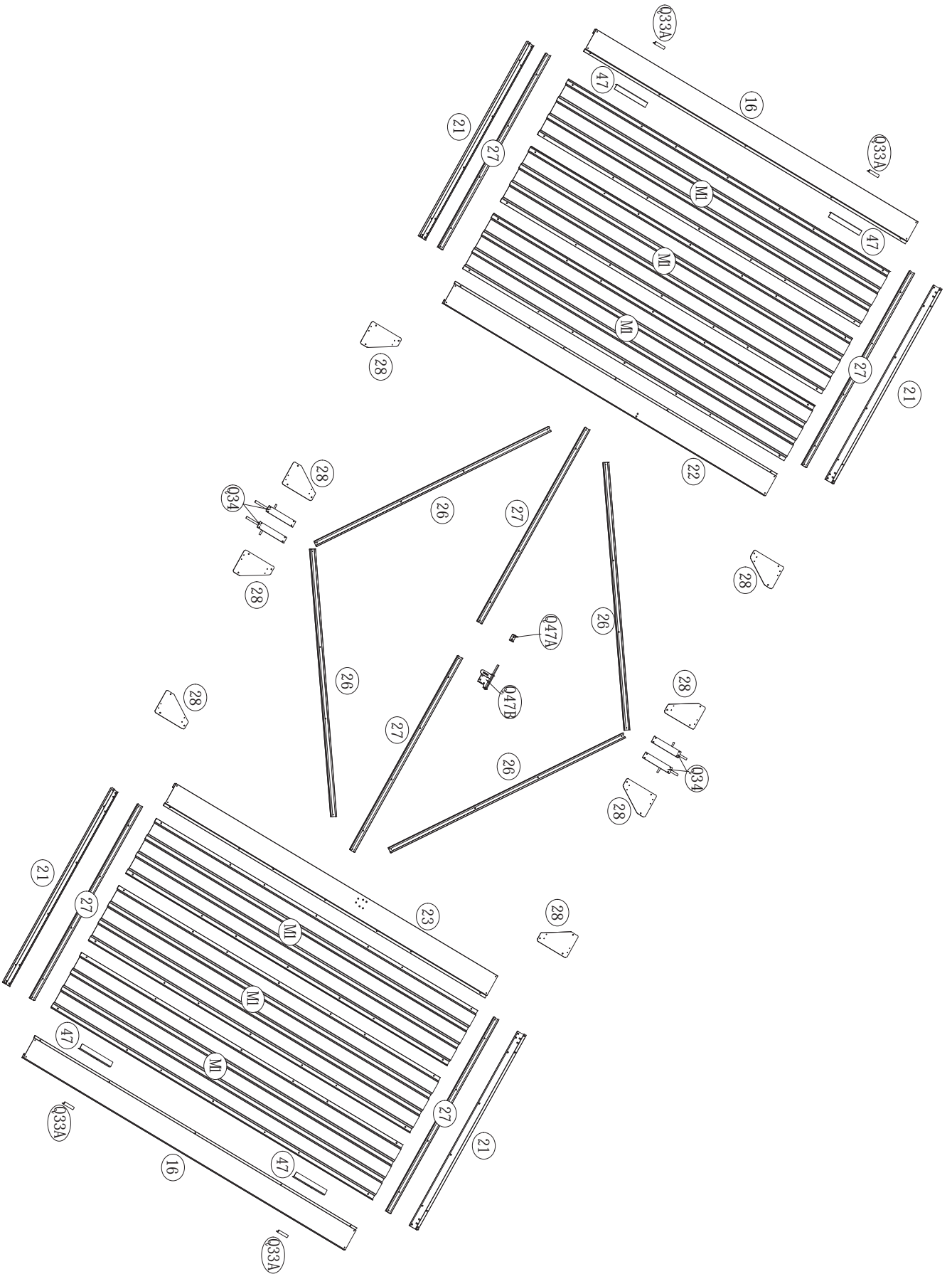
Reach us at:

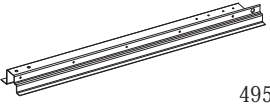
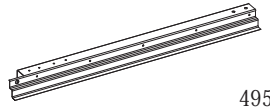



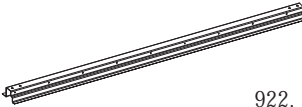
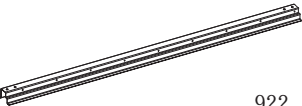

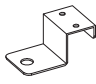
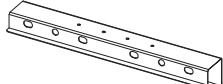
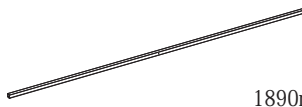
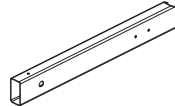
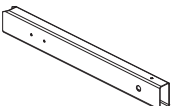

✉ service@kmcglobe-us.com

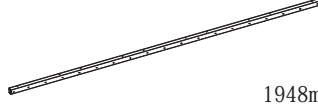
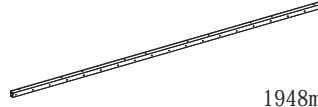
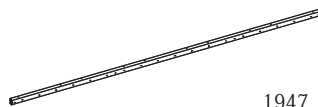
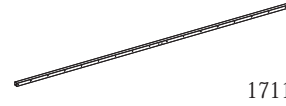
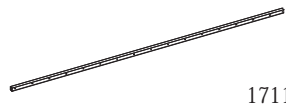




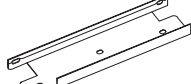
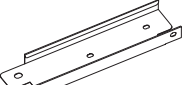
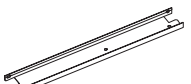
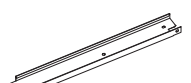
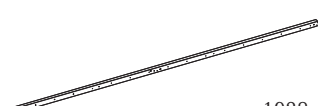
☎ (USA)+1 213-816-4788

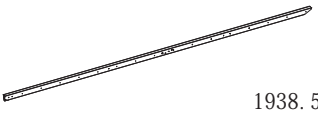
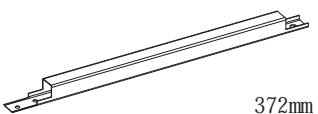
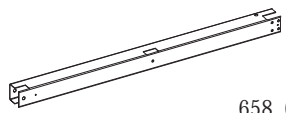

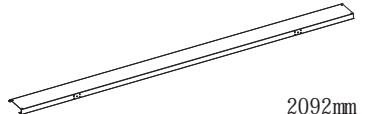
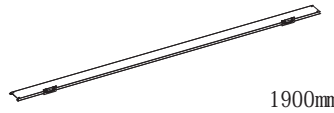



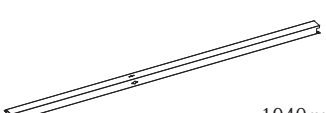
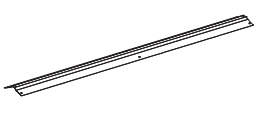
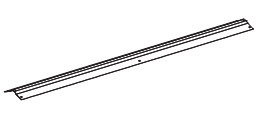








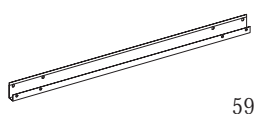
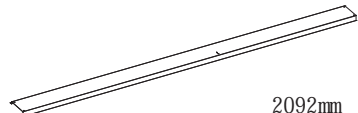
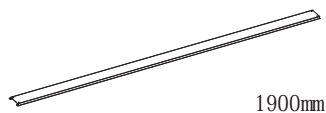
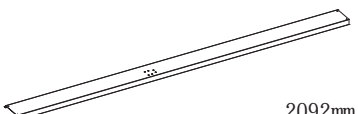
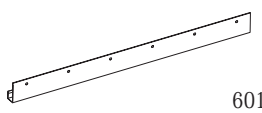

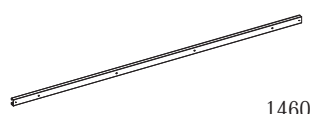
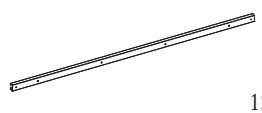
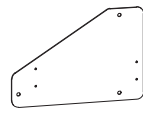
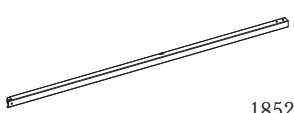


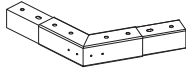
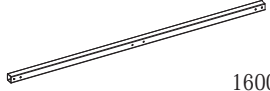
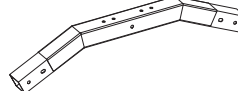
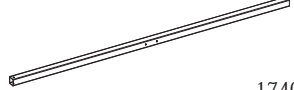
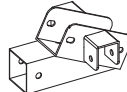
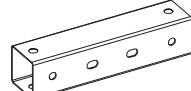

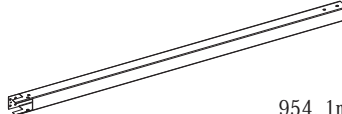
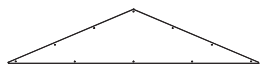
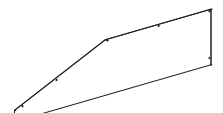
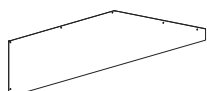
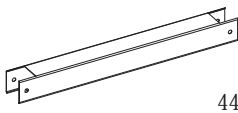

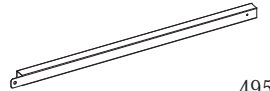



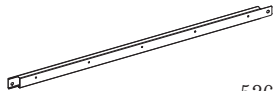
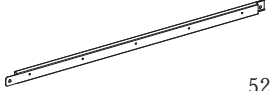
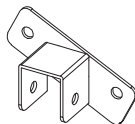
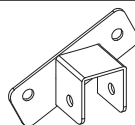
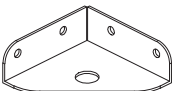
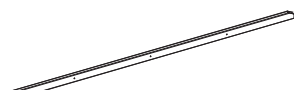
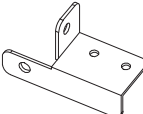
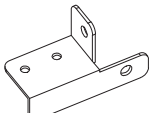
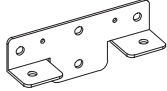
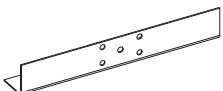

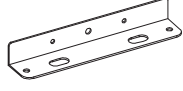
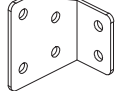
NO.	PART.	Qty.
1L	 495.6mm	1
1R	 495.6mm	1
2L	 2099.1mm	2
2R	 2099.1mm	2
2	 1712mm	2
3L	 922.1mm	1
3R	 922.1mm	1
3	 1605mm	1
4		8
4B		6
5	 1890mm	4
6L	 242mm	1
6R	 242mm	1
6	 2026mm	1

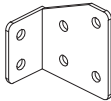

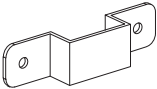




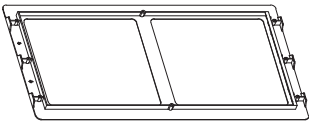
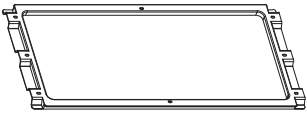


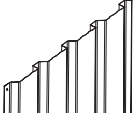

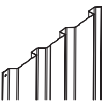

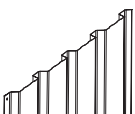

NO.	PART.	Qty.
7F	 1948mm	2
7B	 1948mm	2
7	 1947.5mm	2
8L	 1711.3mm	1
8R	 1711.3mm	1
9L	 2200mm	1
9R	 2200mm	1
9	 1987.5mm	3
10		2
10L		2
10R		2
11L		2
11R		2
12L	 1938.5mm	2



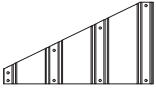
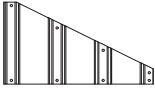


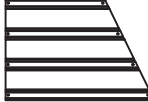
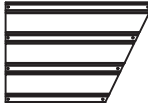
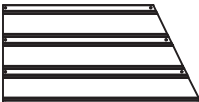

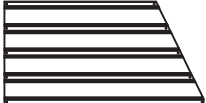

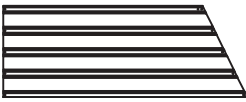

NO.	PART.	Qty.
12R	 1938.5mm	2
13	 372mm	2
14	 658.6mm	1
15	 1035.5mm	2
16	 2092mm	2
16X	 1900mm	1
17L	 2199.5mm	1
17R	 2199.5mm	1
18L	 1940mm	1
18R	 1940mm	1
18	 1176mm	3
18F	 1218mm	2
19	 1971.5mm	2
19L	 2022mm	2


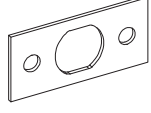
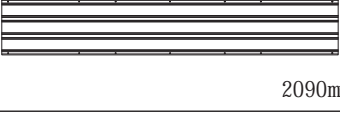
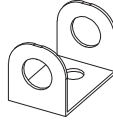

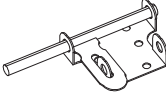
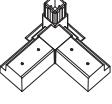
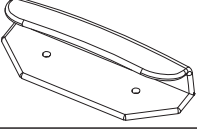
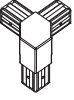
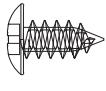
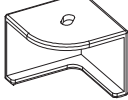
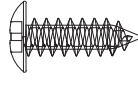
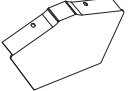
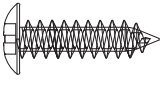
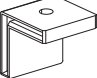

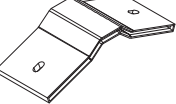

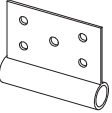

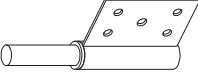
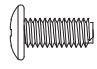
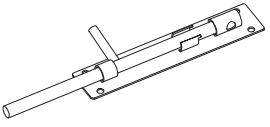
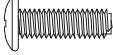


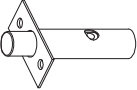
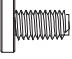
NO.	PART.	Qty.
19R	 2022mm	2
20L	 2002mm	2
20R	 2002mm	2
21	 1220mm	4
21X	 594mm	2
22	 2092mm	1
22X	 1900mm	1
23	 2092mm	1
23X	 601mm	1
24	 1943.5mm	6
26	 1460mm	4
27	 1217mm	6
28		8
29	 1852mm	5


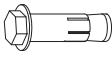


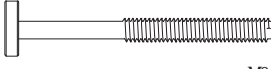
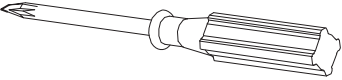





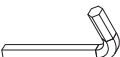

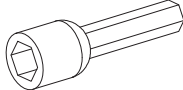

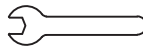

NO.	PART.	Qty.
30		4
31	 1600mm	4
32		2
33	 1740mm	2
34		4
35		1
36	 1940mm	2
37	 954.1mm	1
38		1
38L		1
38R		1
39	 440mm	2
40L	 495.3mm	1
40R	 495.3mm	1





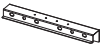

NO.	PART.	Qty.
41		4
41L	 526.2mm	1
41R	 526.2mm	1
42L		2
42R		2
43		4
44	 1215mm	1
45L		1
45R		1
46		5
47	 200mm	4
48		2
49	 200mm	1
50L		2

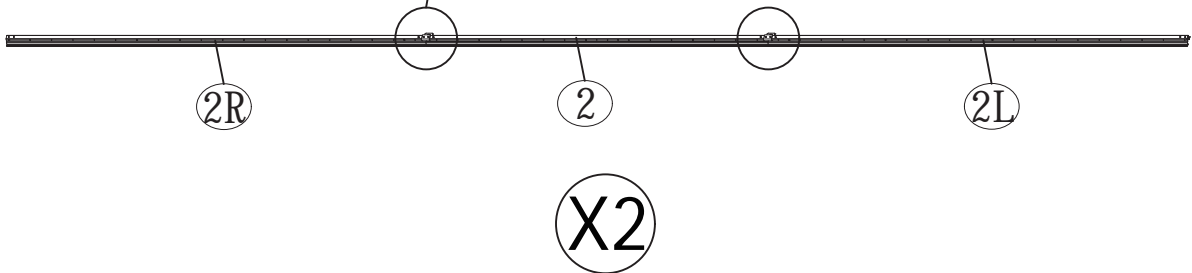
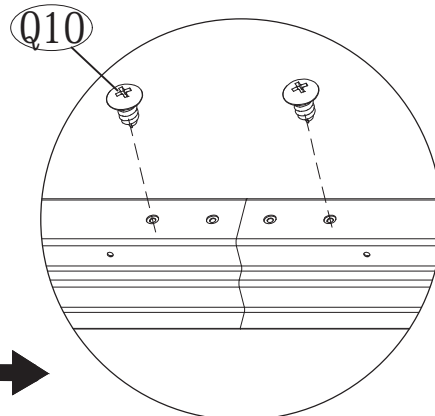
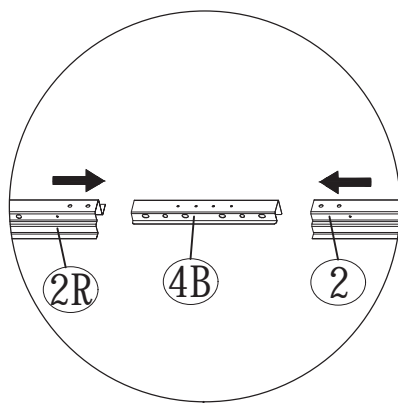
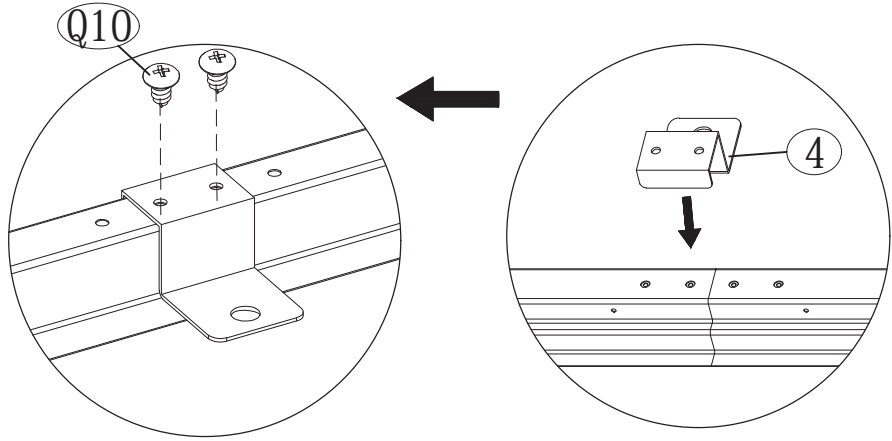
NO.	PART.	Qty.
50R		2
51		2
52		1
53	 1717mm	2
54	 1980mm	2
55	 1970mm	3
56	 1260mm	1
F12		4
F13		4
F14		4
W7	 1940mm	4
W2	  978mm	2
W3	  1940mm	9
W5	  1940mm	23


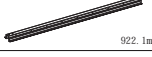

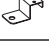


NO.	PART.	Qty.
C3	 1940mm	2
C4	 1940mm	2
W1L	 190mm	1
W1R	 190mm	1
W2L	 346.6mm	1
W2R	 346.6mm	1
W3L	 503.2mm	1
W3R	 503.2mm	1
W4L	 659.8mm	1
W4R	 659.8mm	1
W5L	 868.5mm	1
W5R	 868.5mm	1
W6L	 1204.2mm	1
W6R	 1204.2mm	1

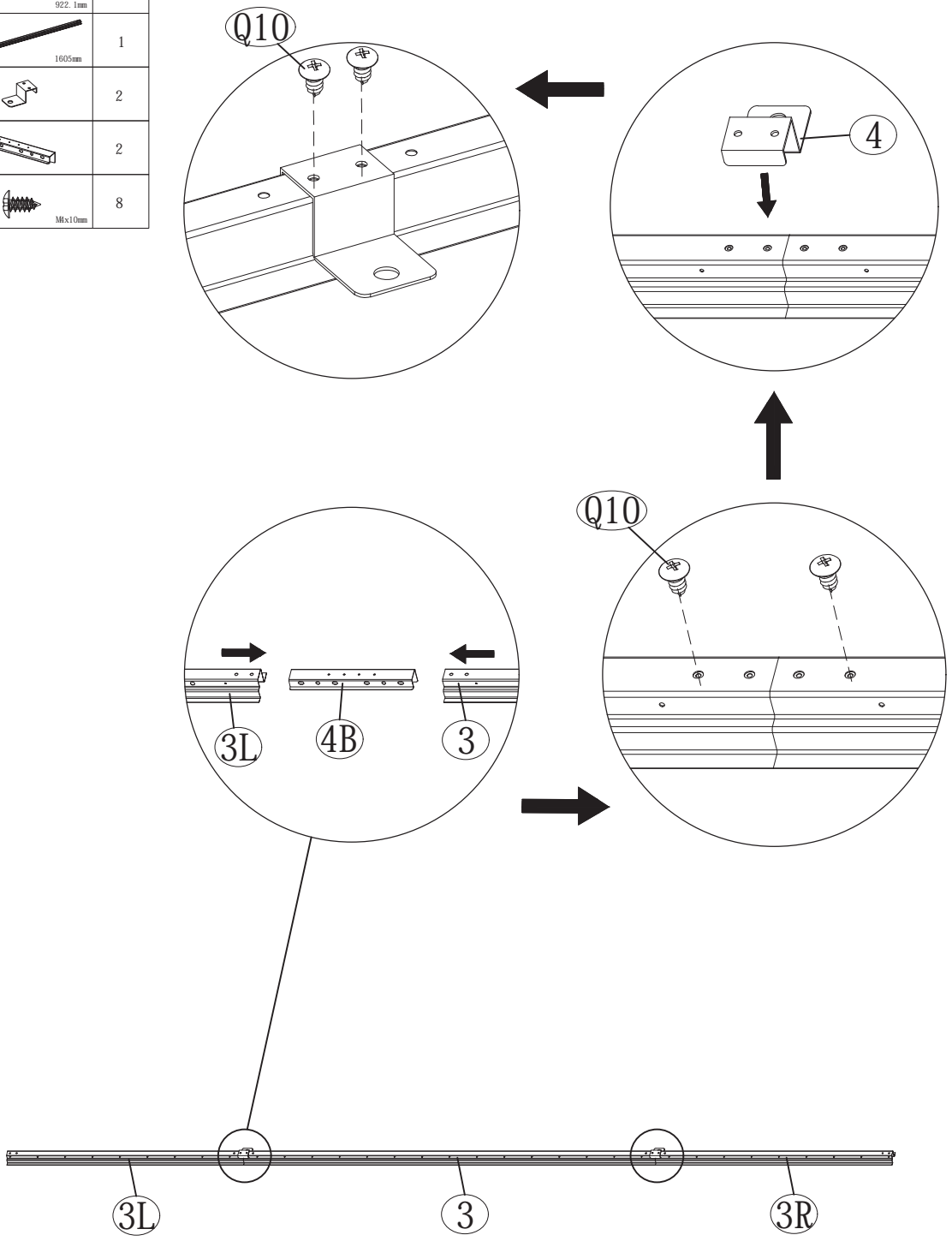
NO.	PART.	Qty.	NO.	PART.	Qty.
D4		30	Q35C		1
M1		6	Q47A		1
M2		1	Q47B		1
C		4	Q46		1
F		4	Q10		687+20
Q1		4	Q32		164+20
Q2		2	Q43		1+1
Q3		4	Q38		24+3
Q4		4	Q49		20+3
Q33A		4	Q13		180+10
Q33B		4	Q39		35+5
Q34		4	Q40		2+2
Q35A		1	Q41		32+5
Q35B		1	Q44		8+2







NO.	PART.	Qty.	NO.	PART.	Qty.
Q45	 M6x30mm	12+3	Q21	 M8x50mm	12
Q37	 M6x45mm	20+3	Q22		2
Q36	 M6x50mm	59+5	Q23		1
Q42	 M4	69+5	Q24		1
Q54	 M4	44+5	Q25		1
Q17	 M6	99+10	Q26		1
Q18		578+20	Q27		1
Q19		180+10	S15		1
Q20		92+10			

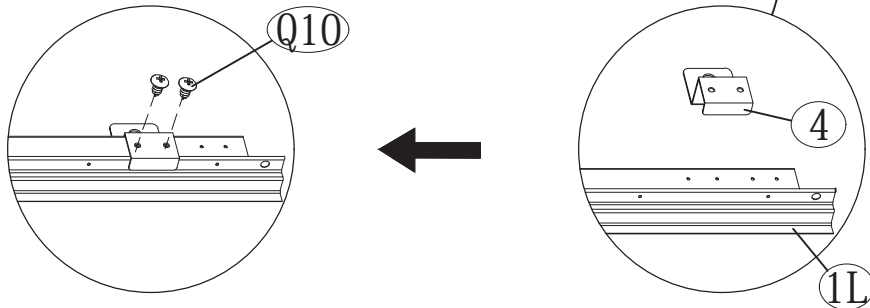
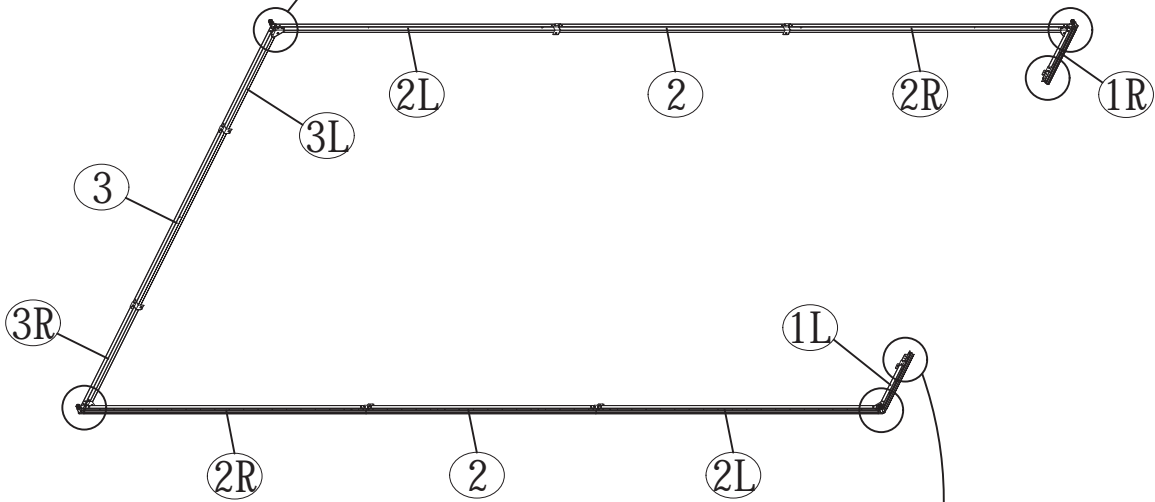
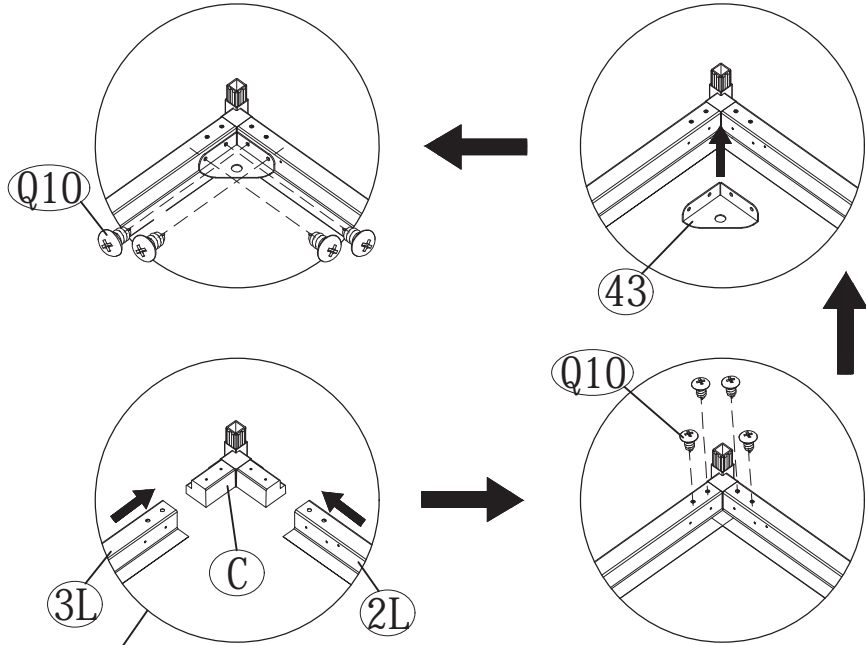
NO.	PART.	Qty.
2L	 2099.1mm	2
2R	 2099.1mm	2
2	 1712mm	2
4		4
4B		4
Q10	 Mx10mm	16

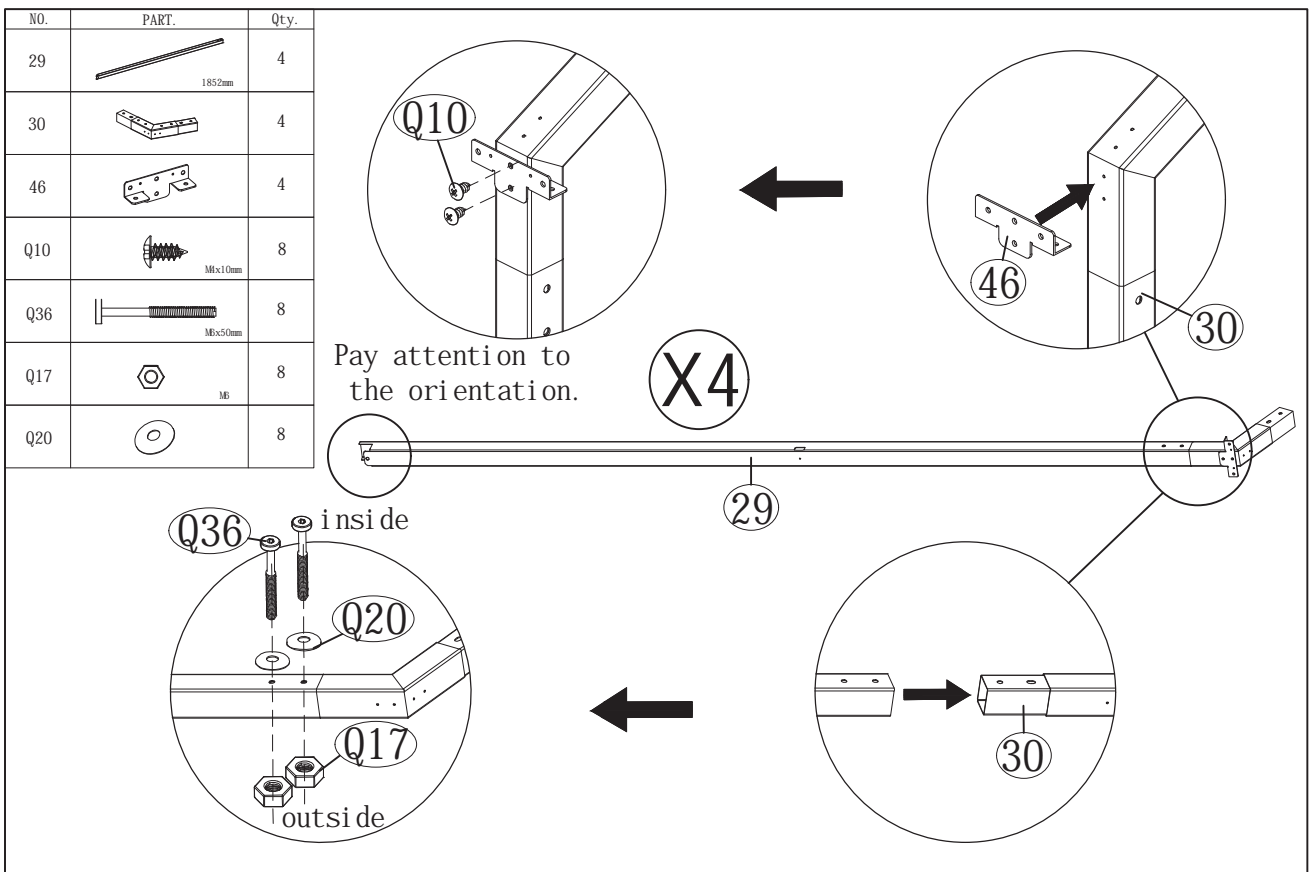
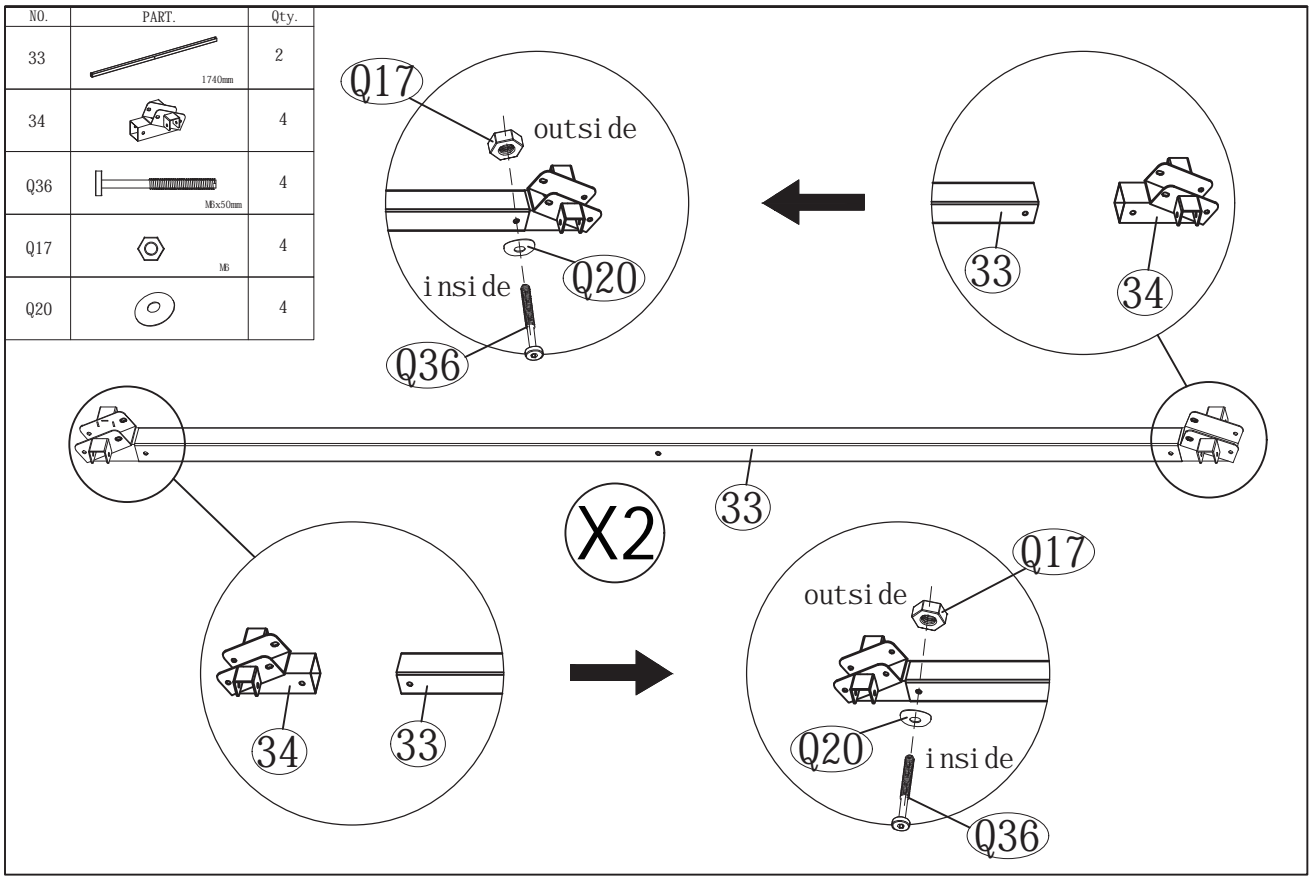








NO.	PART.	Qty.
3L	 922.1mm	1
3R	 922.1mm	1
3	 1605mm	1
4		2
4B		2
Q10	 M8x10mm	8

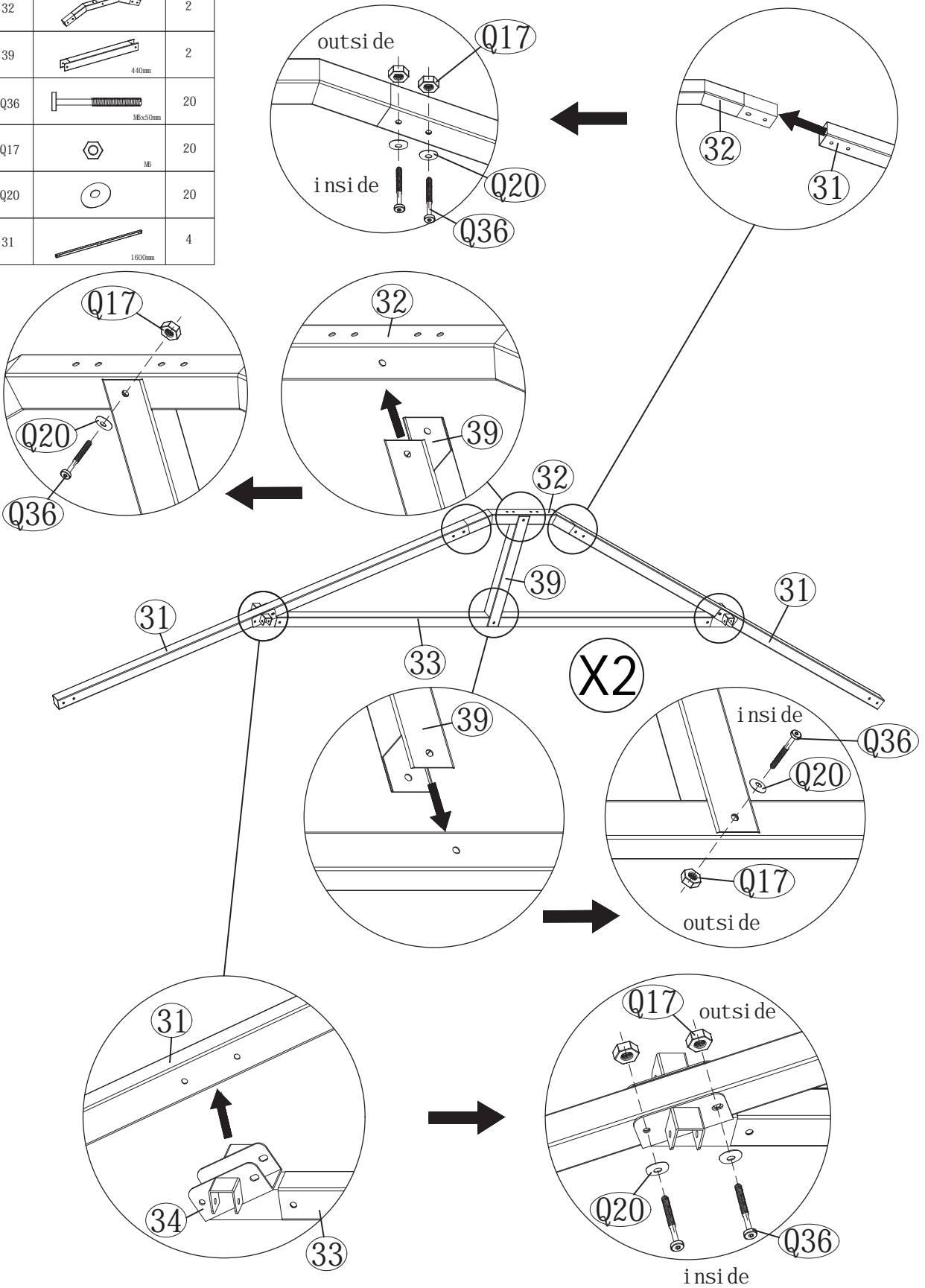





NO.	PART.	Qty.
1L	 495.6mm	1
1R	 495.6mm	1
4		2
43		4
C		4
Q10	 M8x10mm	36

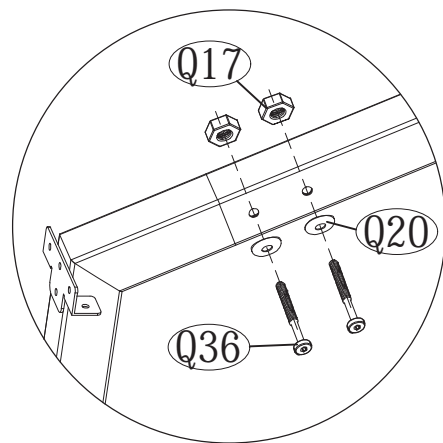
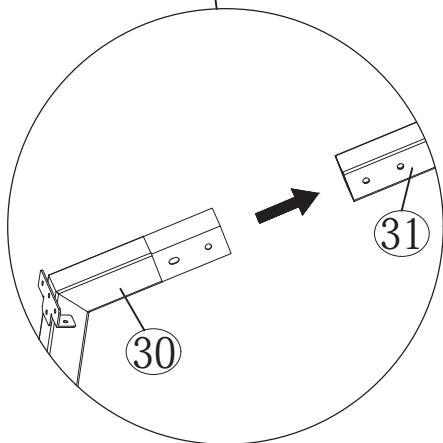
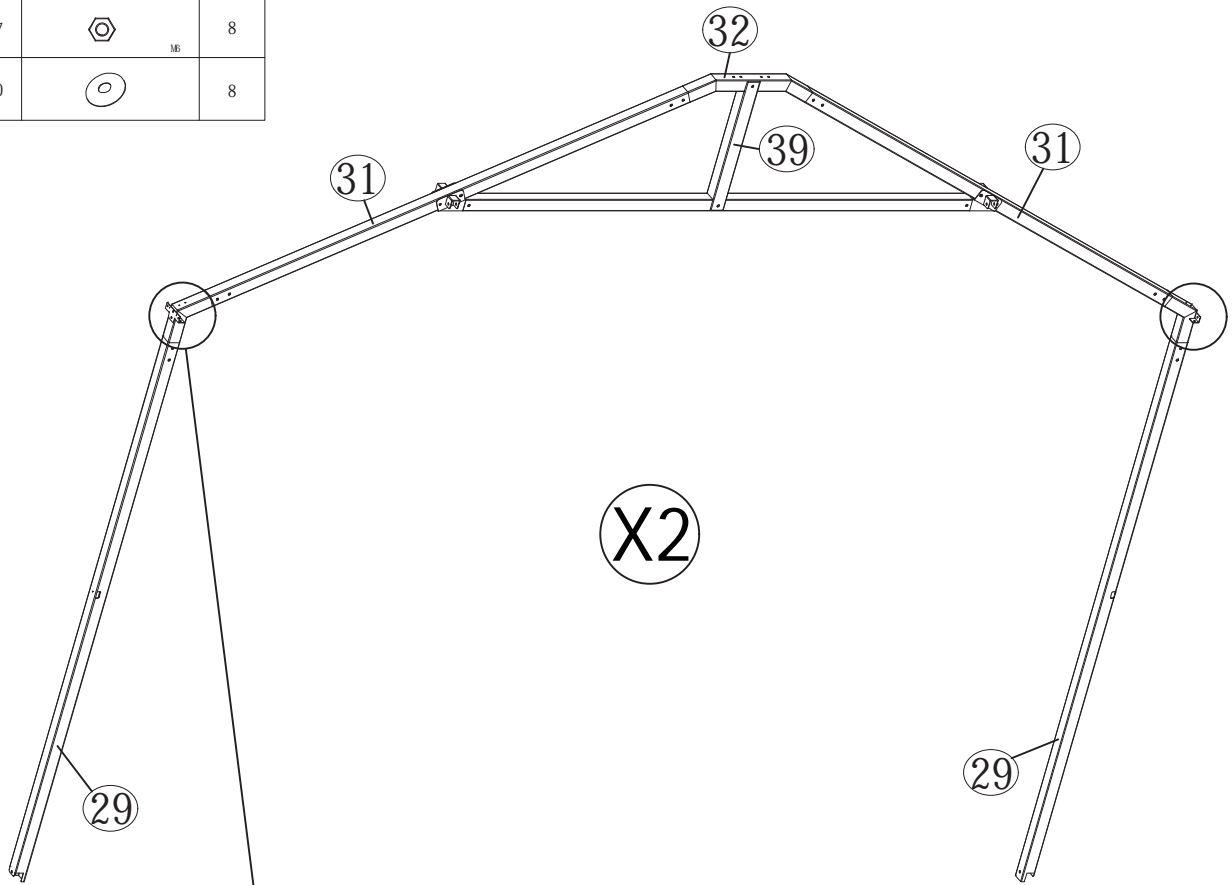







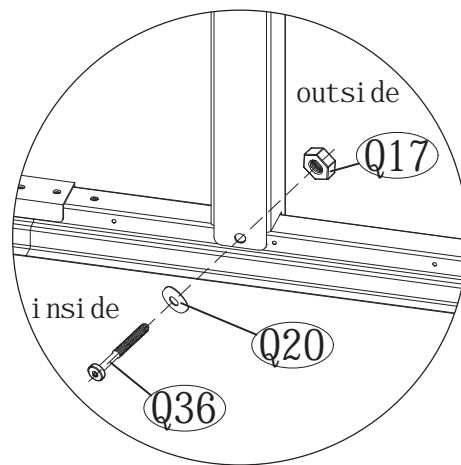
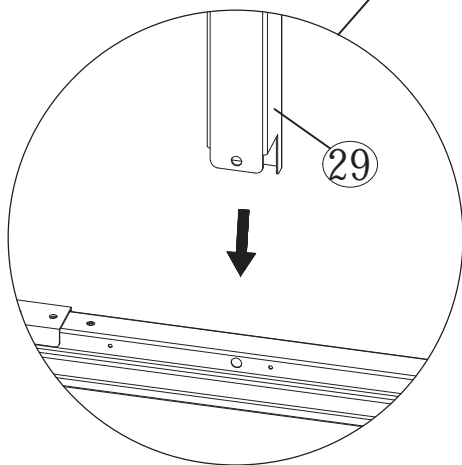
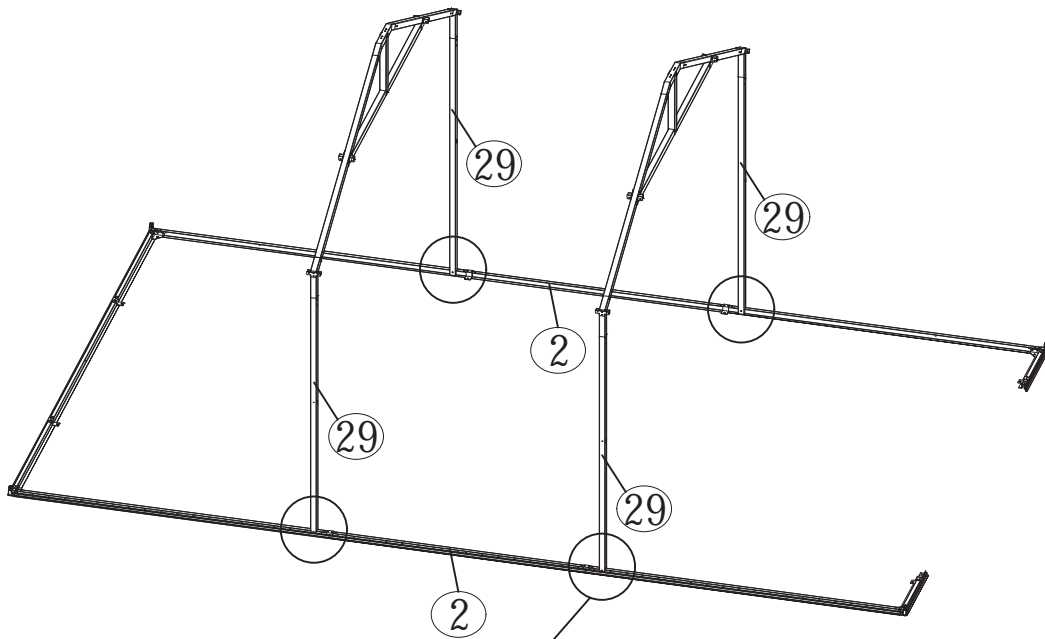
NO.	PART.	Qty.
32		2
39	 440mm	2
Q36	 M6x50mm	20
Q17	 M6	20
Q20		20
31	 1600mm	4









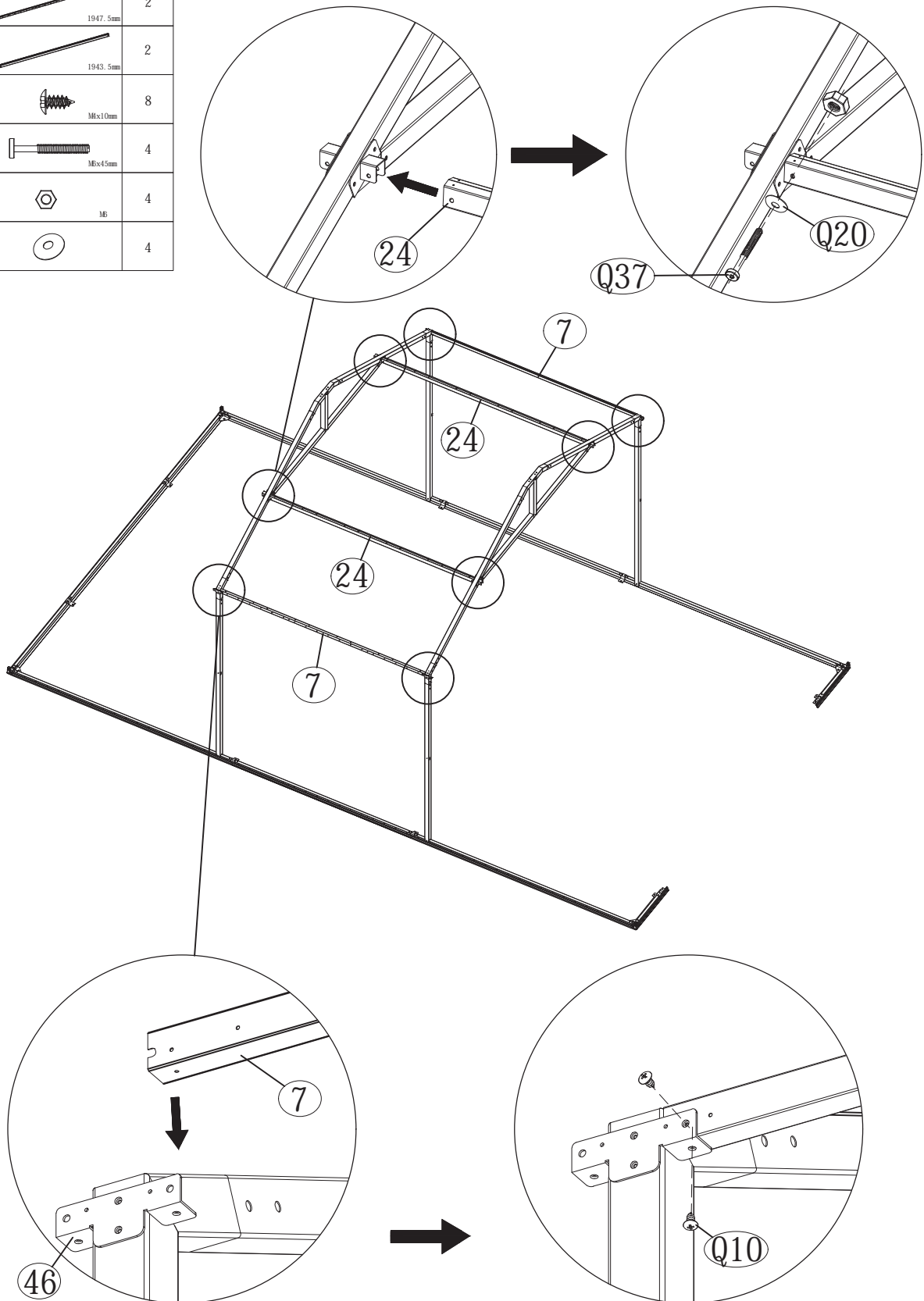
NO.	PART.	Qty.
Q36	 Mx50mm	8
Q17	 M6	8
Q20		8







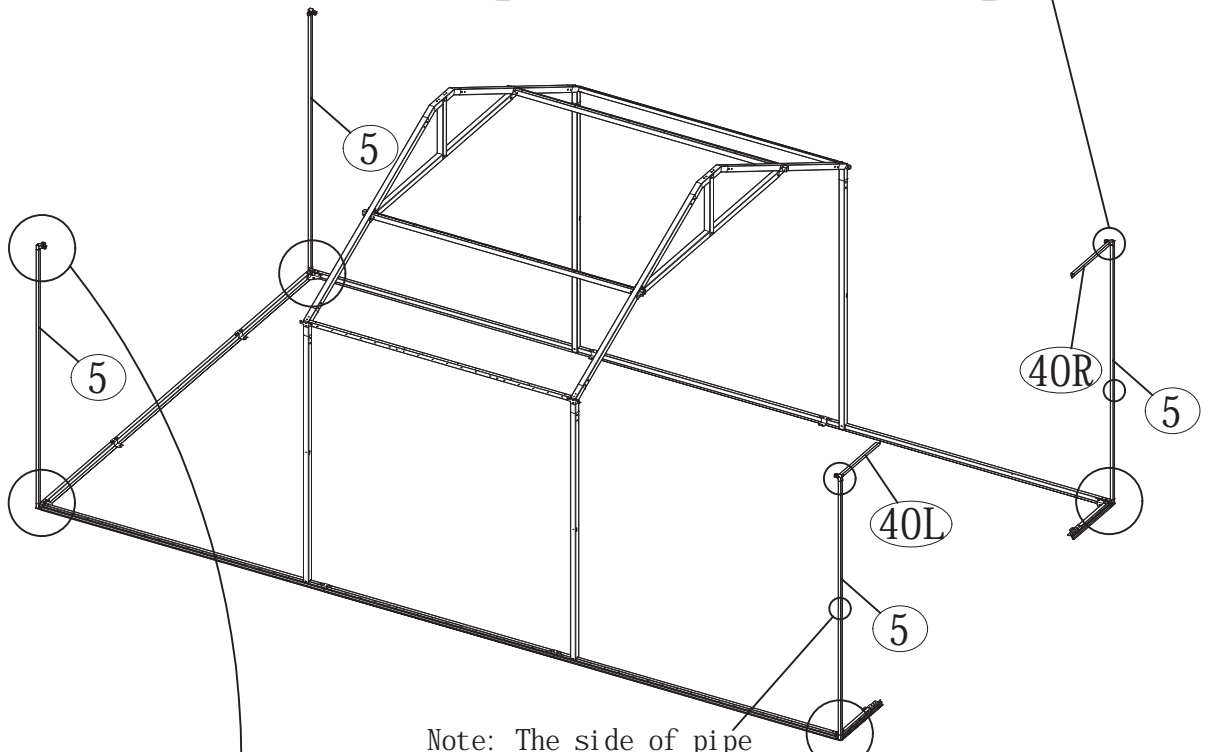
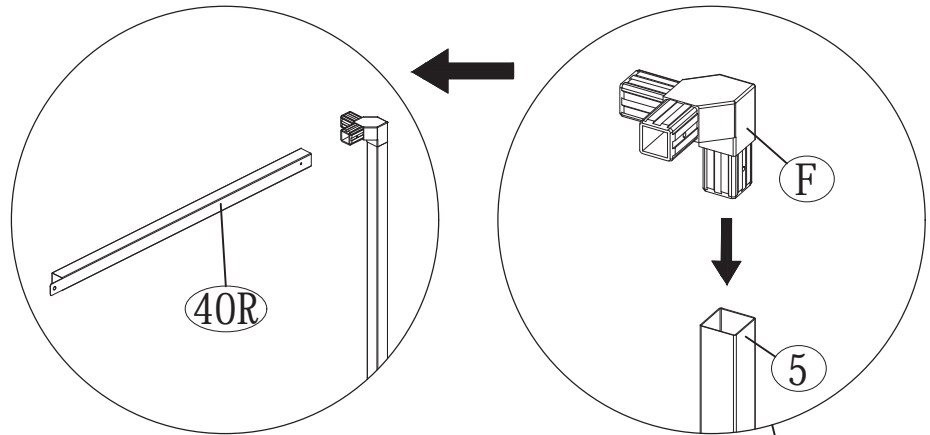
NO.	PART.	Qty.
Q36	 Mx50mm	4
Q17	 M6	4
Q20		4



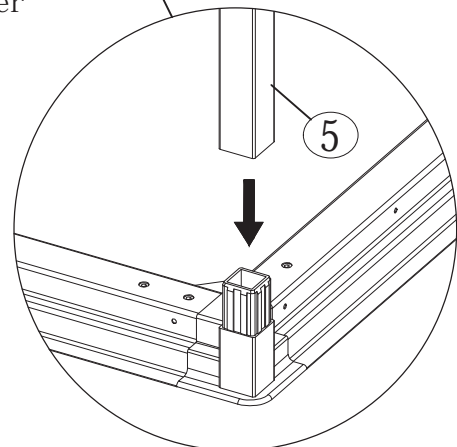
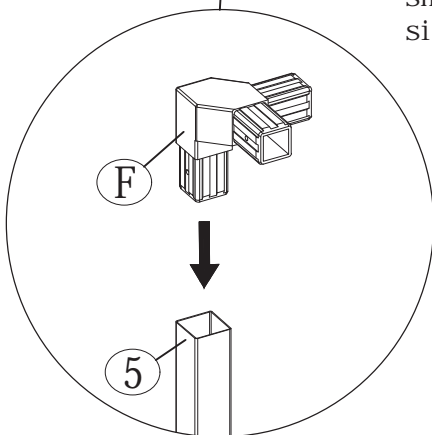
NO.	PART.	Qty.
7	 1947.5mm	2
24	 1943.5mm	2
Q10	 Mx10mm	8
Q37	 Mx15mm	4
Q17	 ME	4
Q20		4






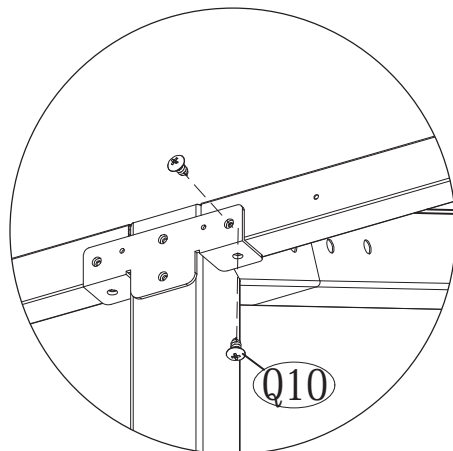
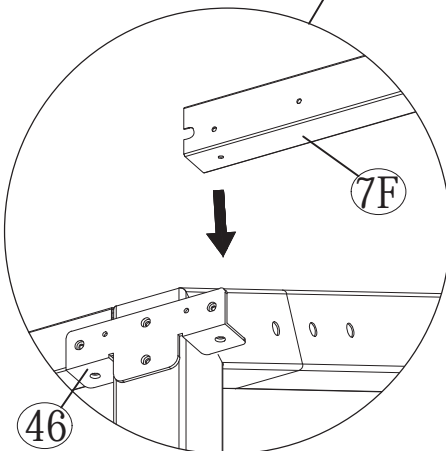
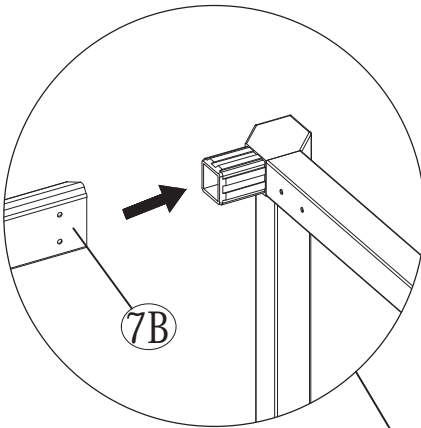
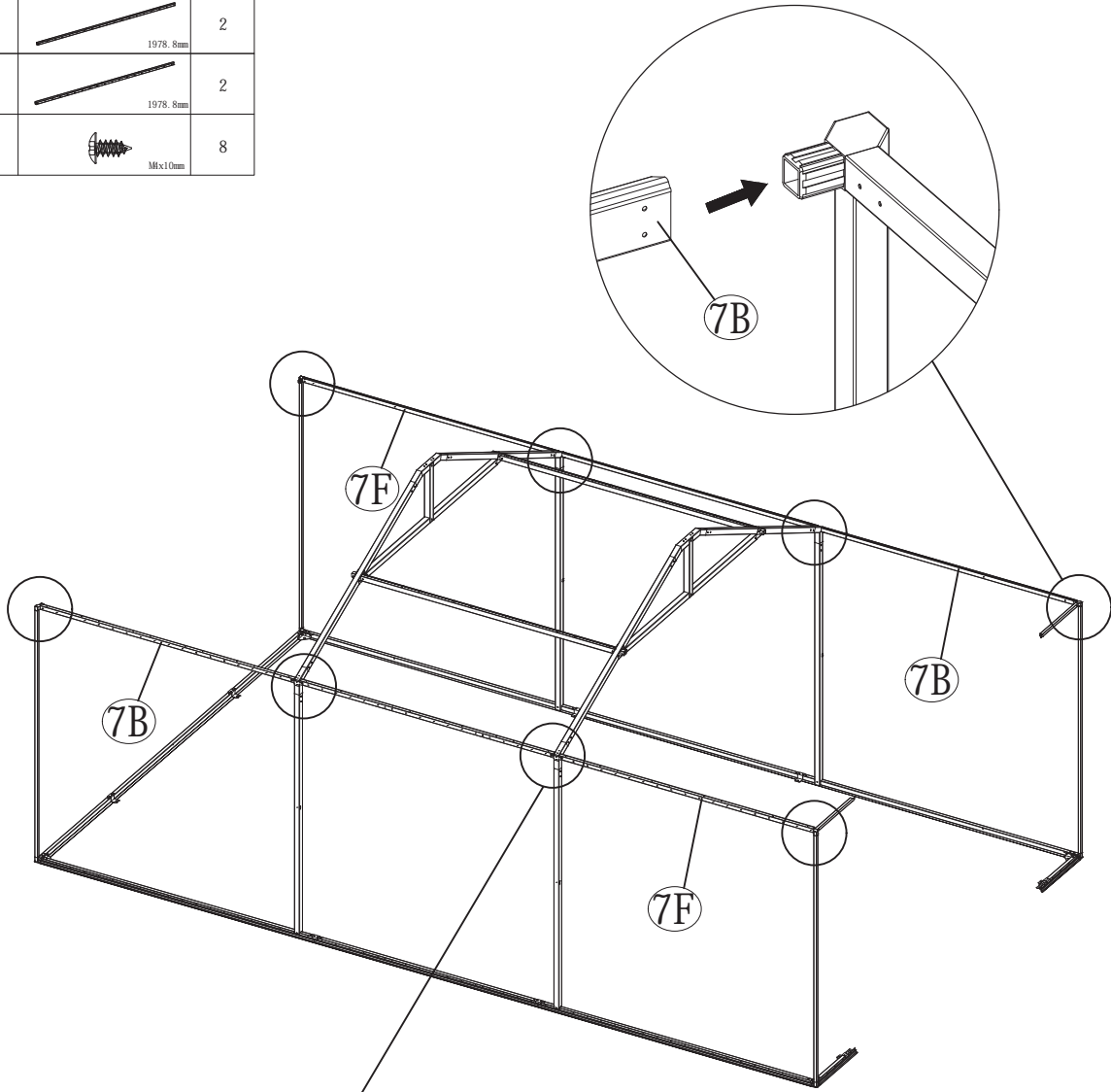
NO.	PART.	Qty.
5	 1890mm	4
F		4
40L	 495.3mm	1
40R	 495.3mm	1








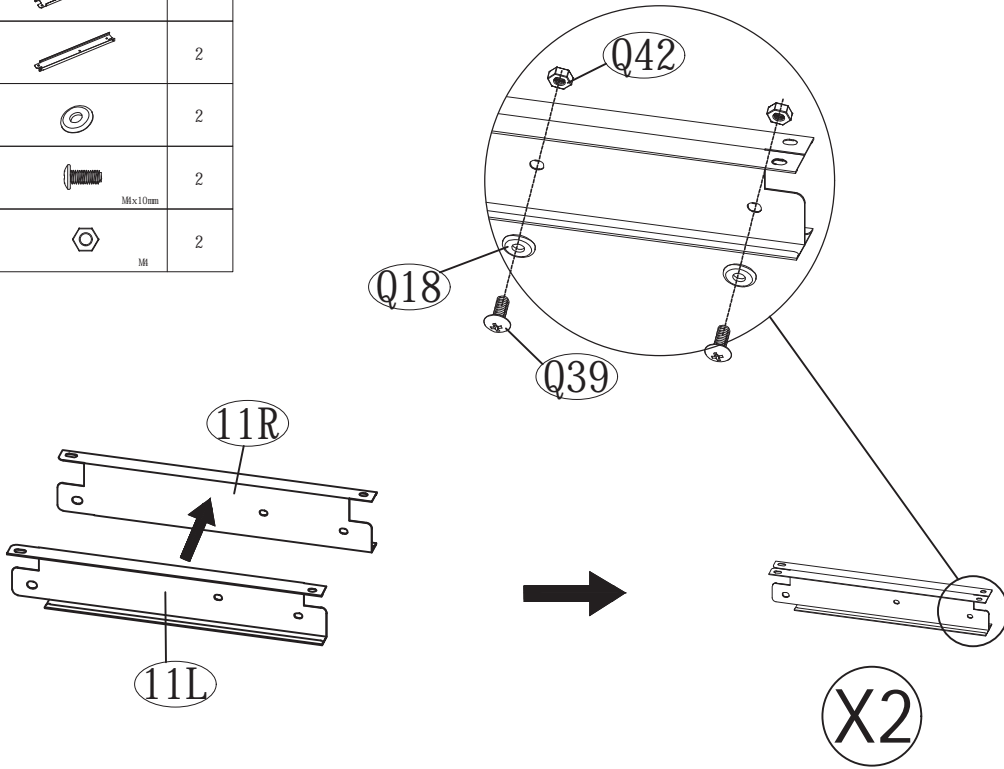
Note: The side of pipe No. 5 with the hole should face the inner side of the garage.








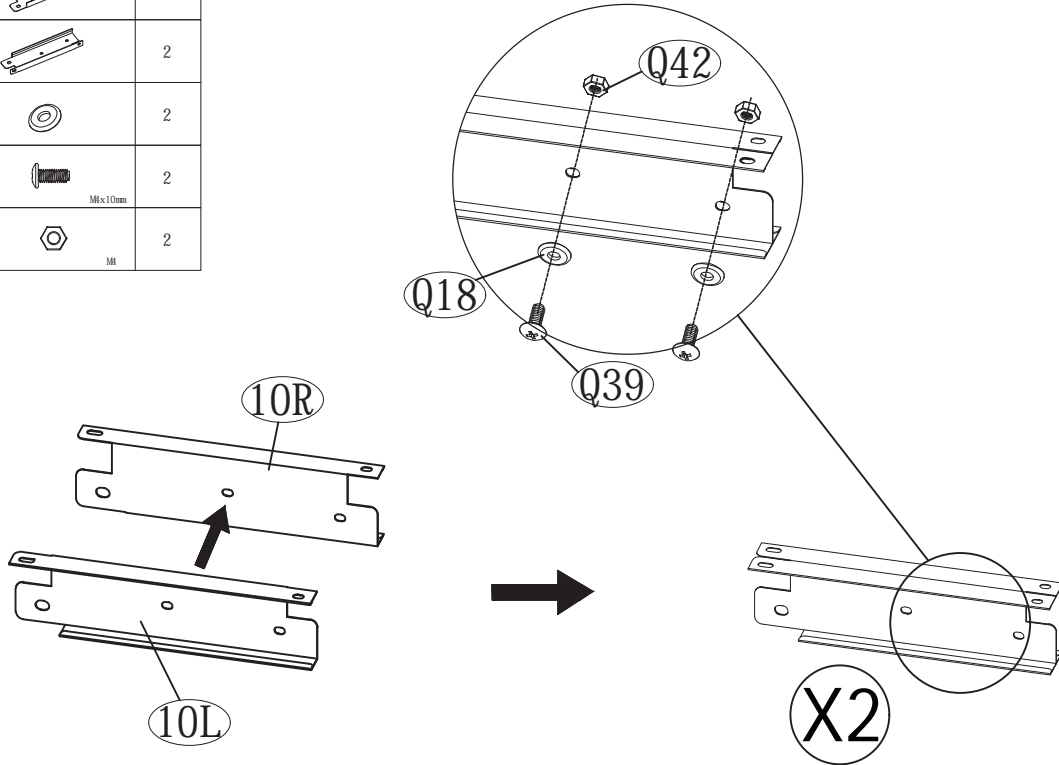
NO.	PART.	Qty.
7F	 1978.8mm	2
7B	 1978.8mm	2
Q10	 Mx10mm	8

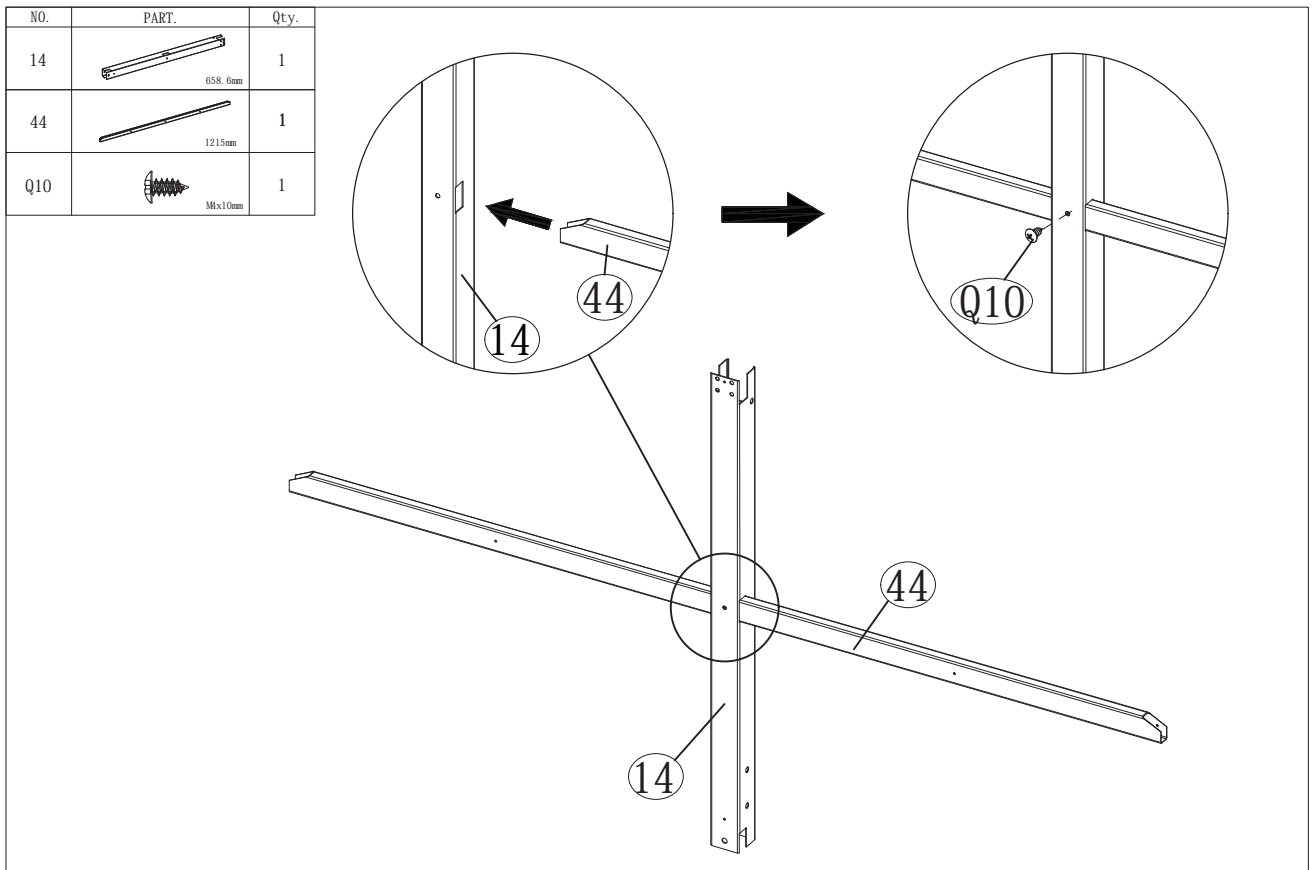
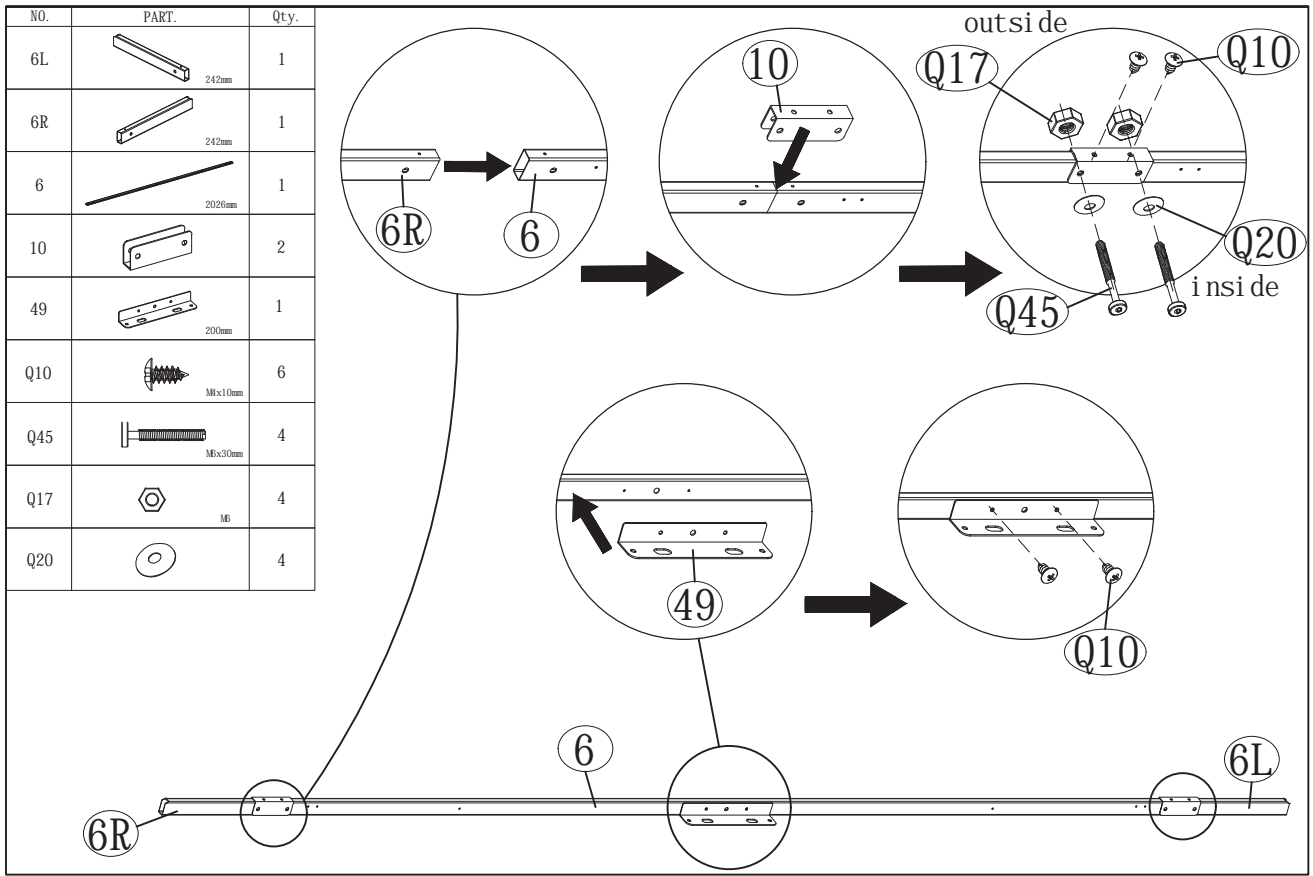











NO.	PART.	Qty.
11L		2
11R		2
Q18		2
Q39	 Mx10mm	2
Q42	 M	2

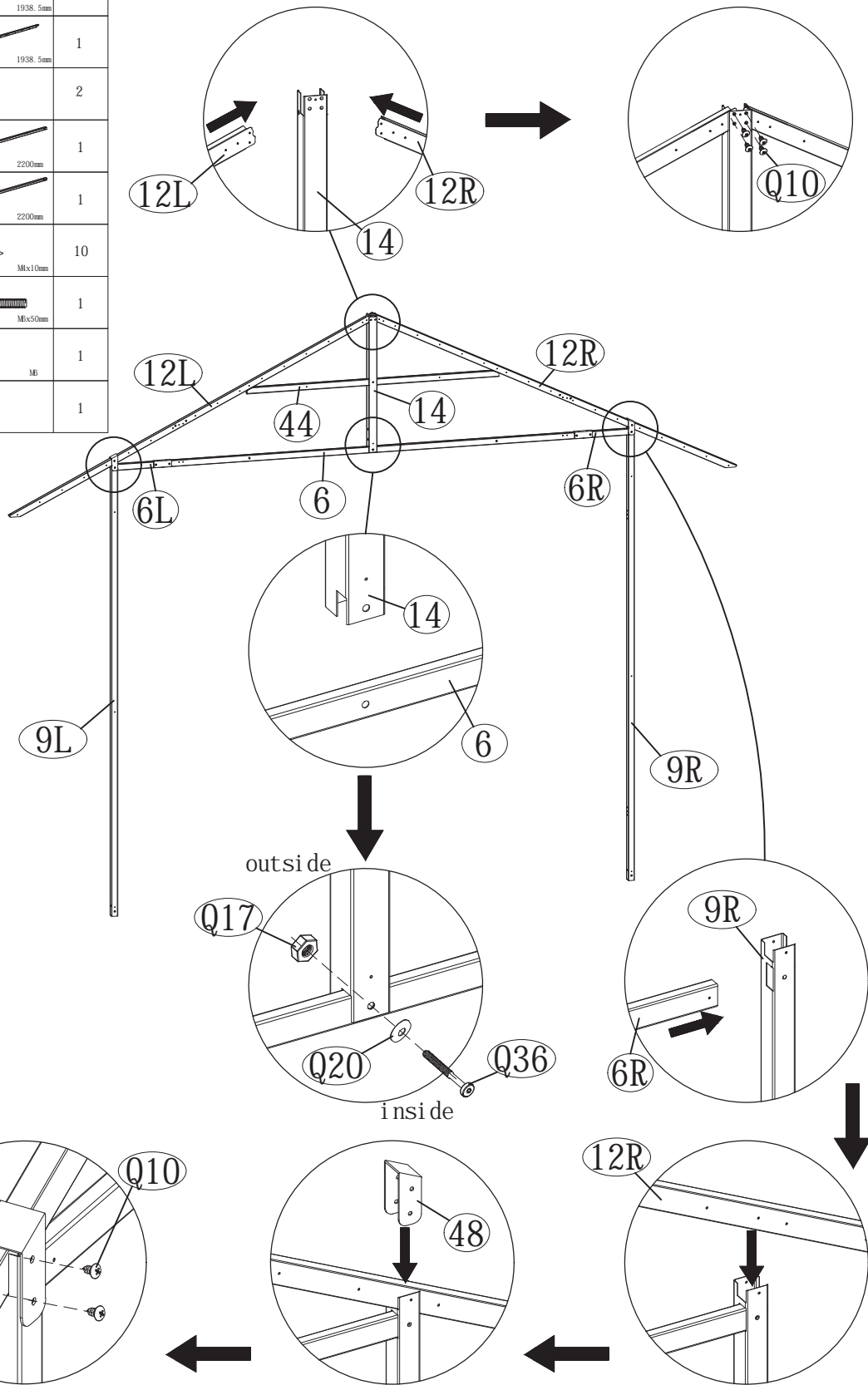


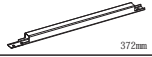



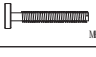


NO.	PART.	Qty.
10L		2
10R		2
Q18		2
Q39	 Mx10mm	2
Q42	 M	2

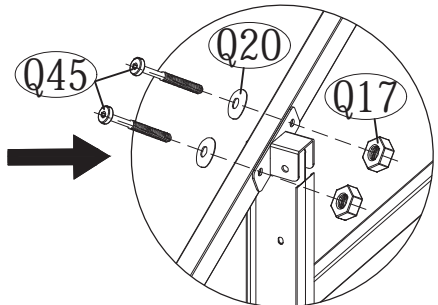
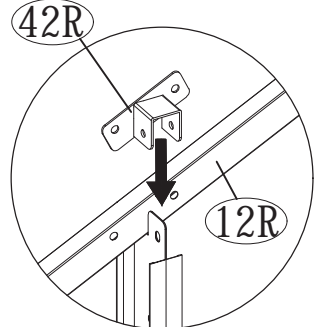
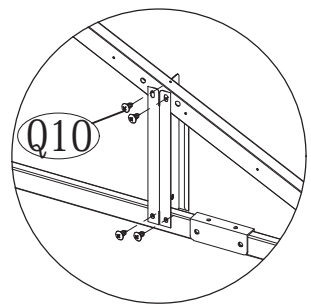
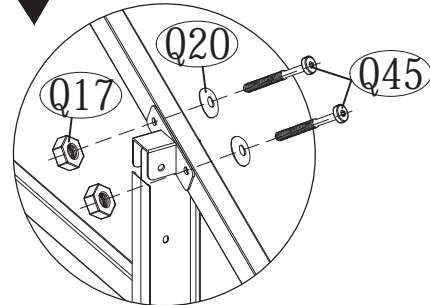
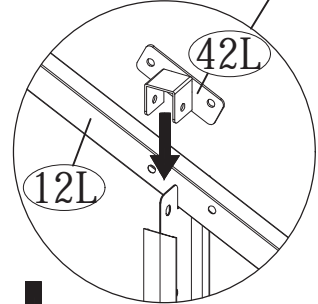
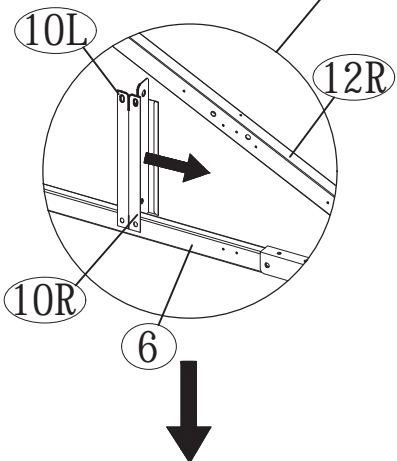
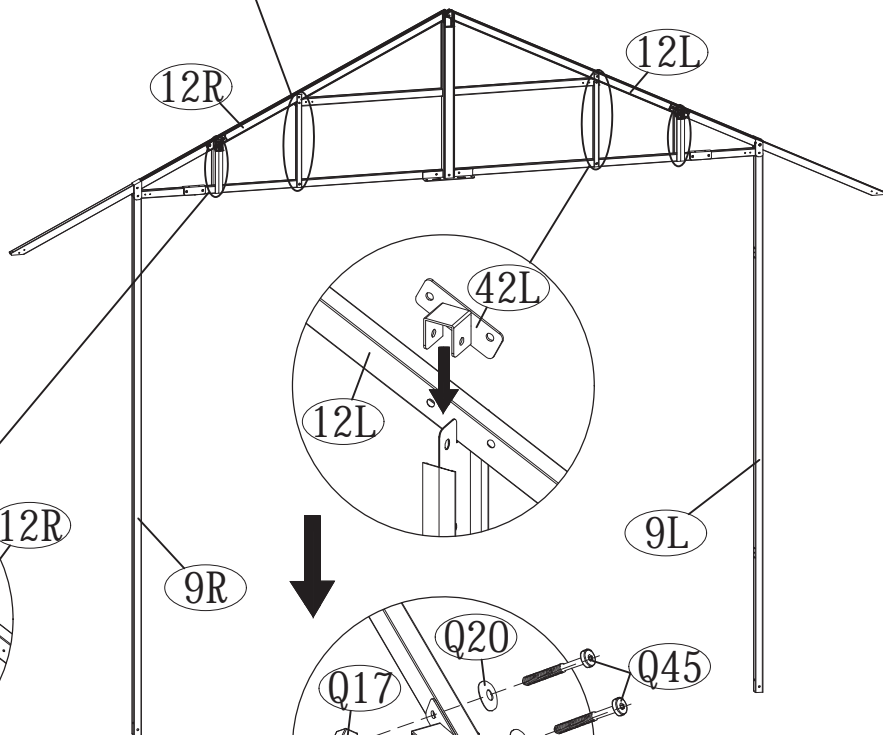
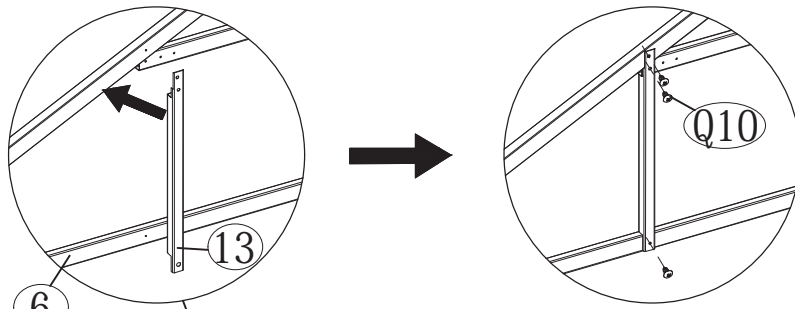




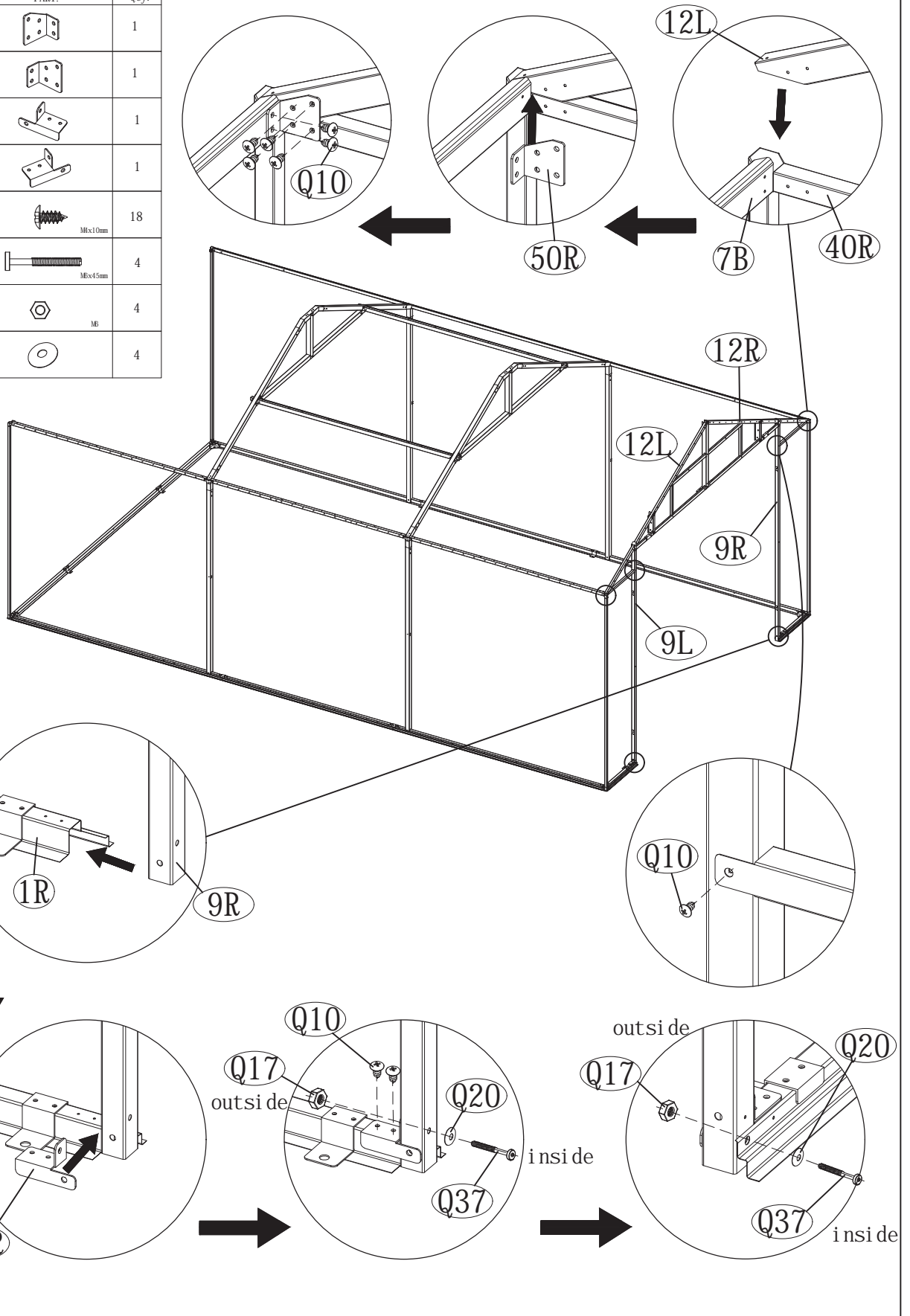
NO.	PART.	Qty.
12L	 1938, 5mm	1
12R	 1938, 5mm	1
48		2
9L	 2200mm	1
9R	 2200mm	1
Q10	 M8x10mm	10
Q36	 M8x50mm	1
Q17	 M8	1
Q20		1






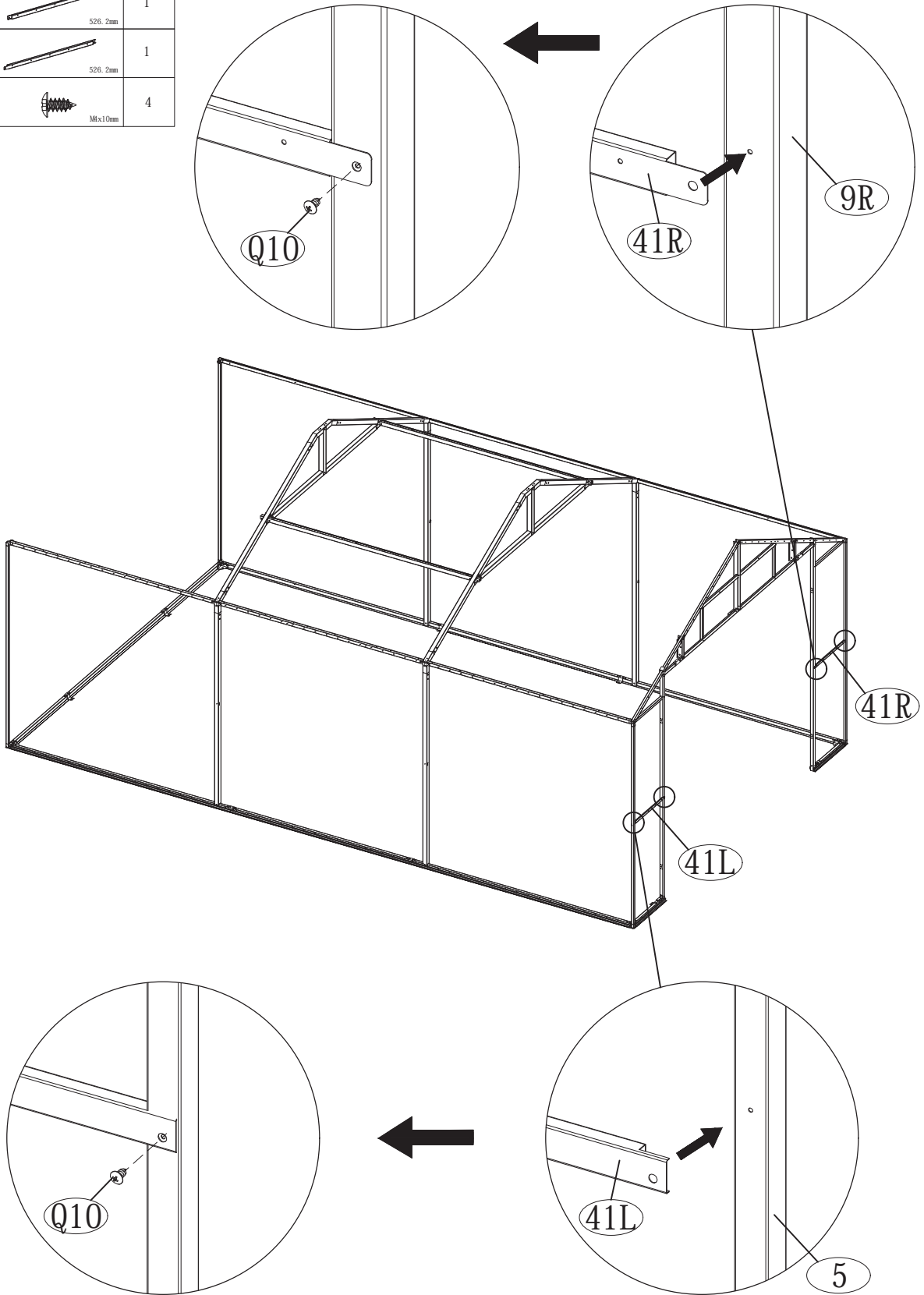
NO.	PART.	Qty.
13	 372mm	2
42L		1
42R		1
Q10	 Mx10mm	14
Q45	 Mx30mm	4
Q17	 M6	4
Q20		4


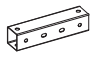

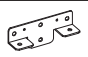

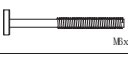




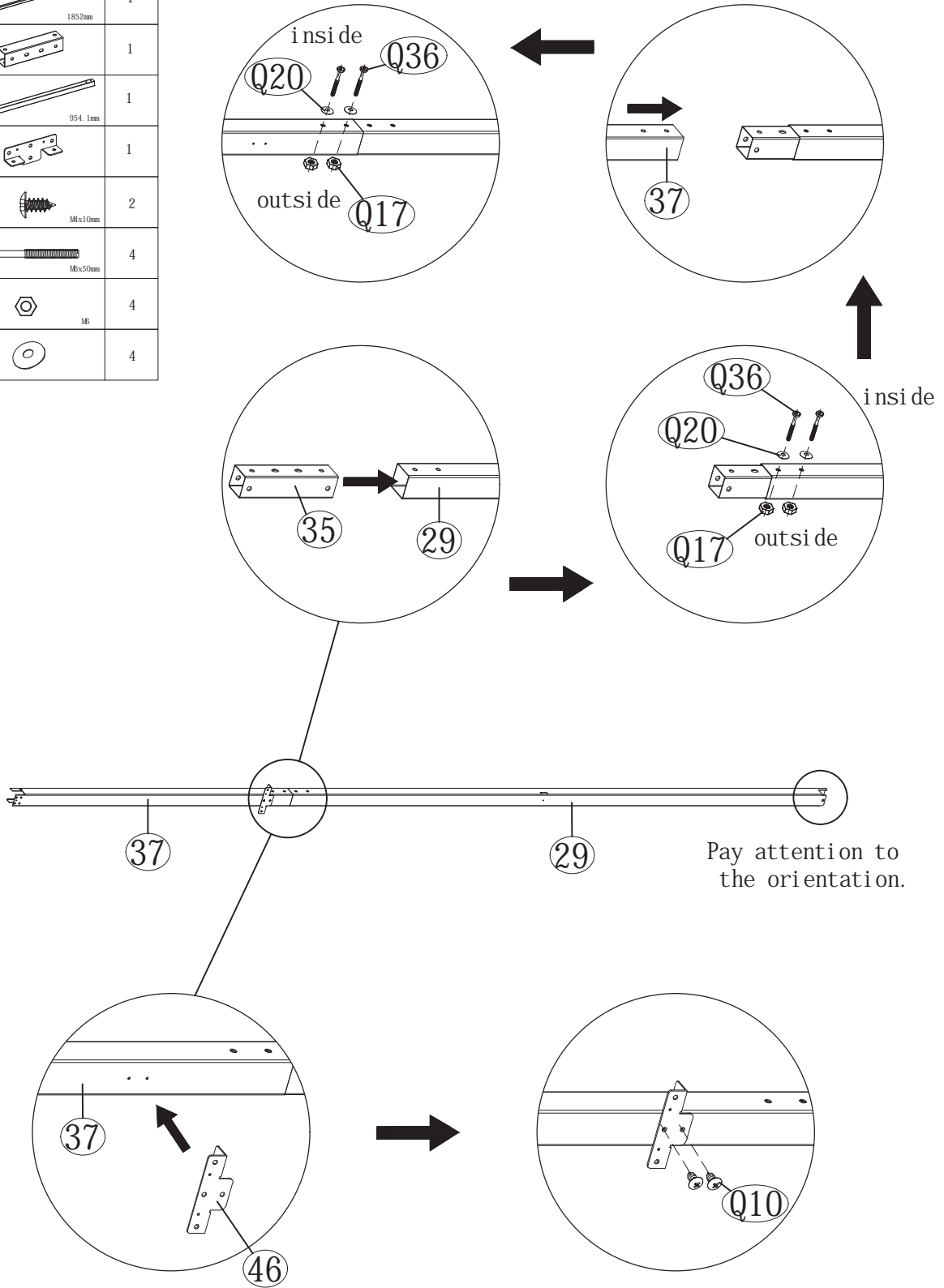
NO.	PART.	Qty.
50L		1
50R		1
45L		1
45R		1
Q10		18
Q37		4
Q17		4
Q20		4



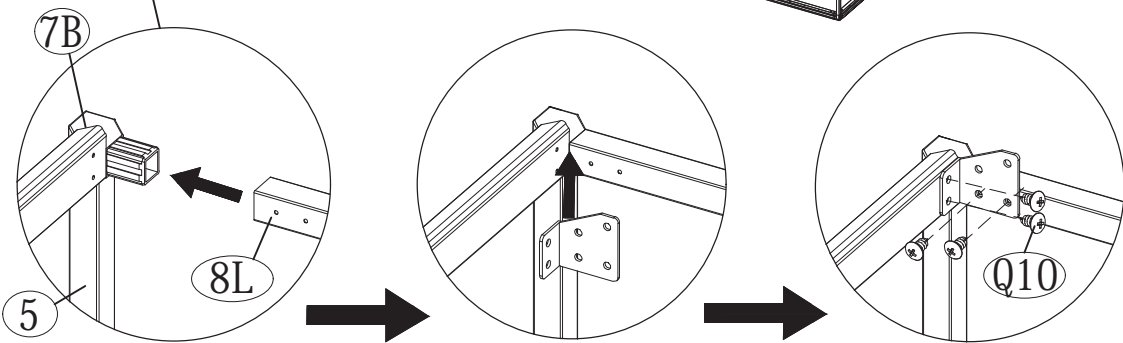
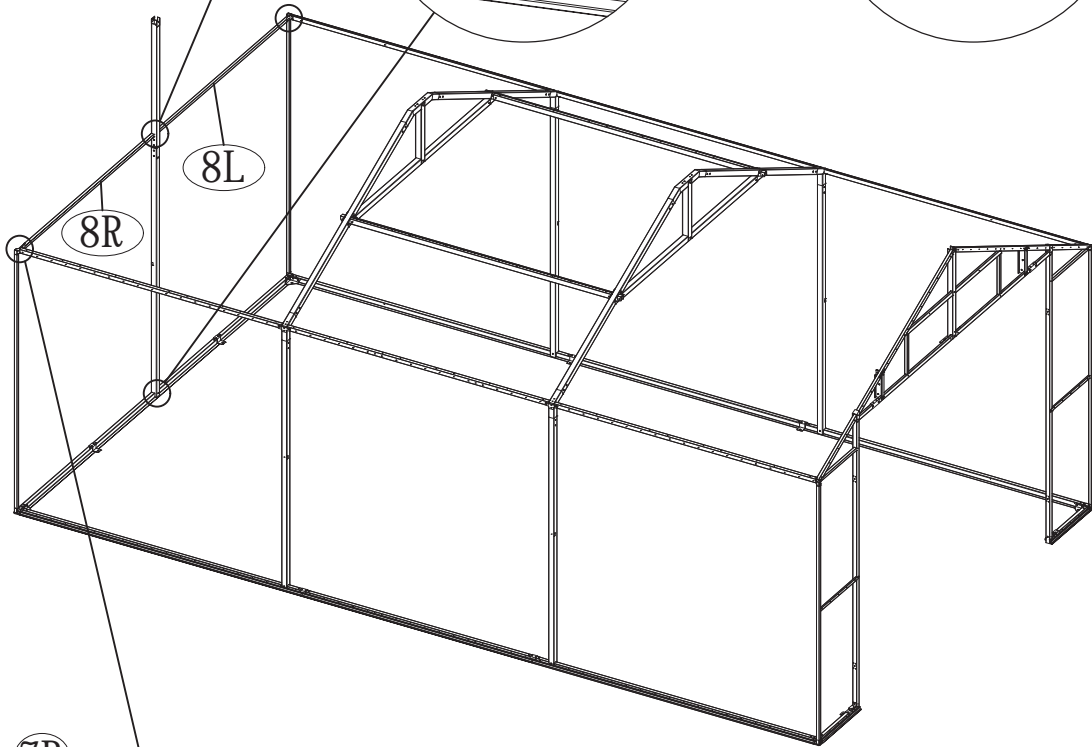
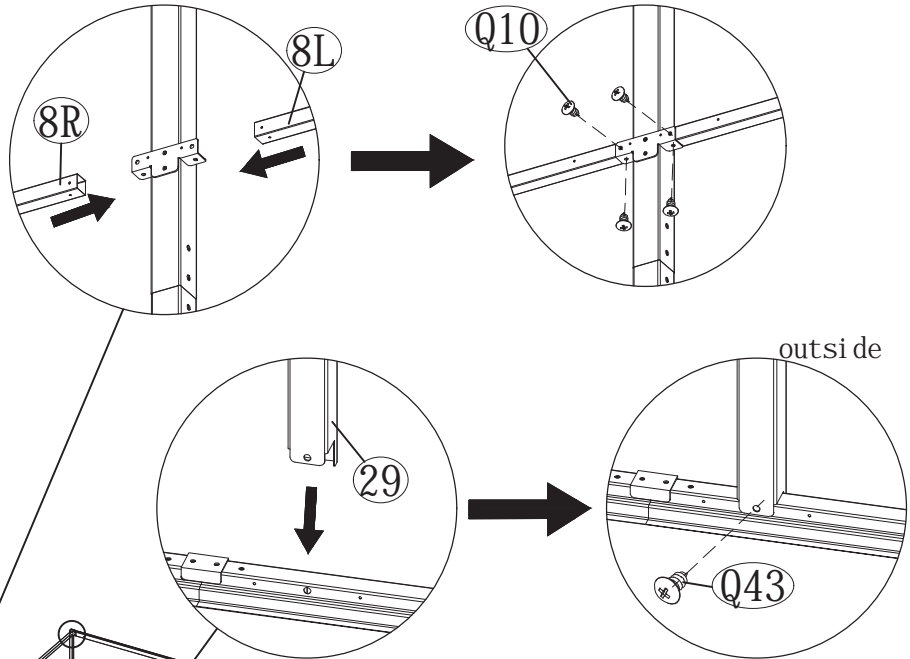
NO.	PART.	Qty.
41L	 526.2mm	1
41R	 526.2mm	1
Q10	 Mx10mm	4






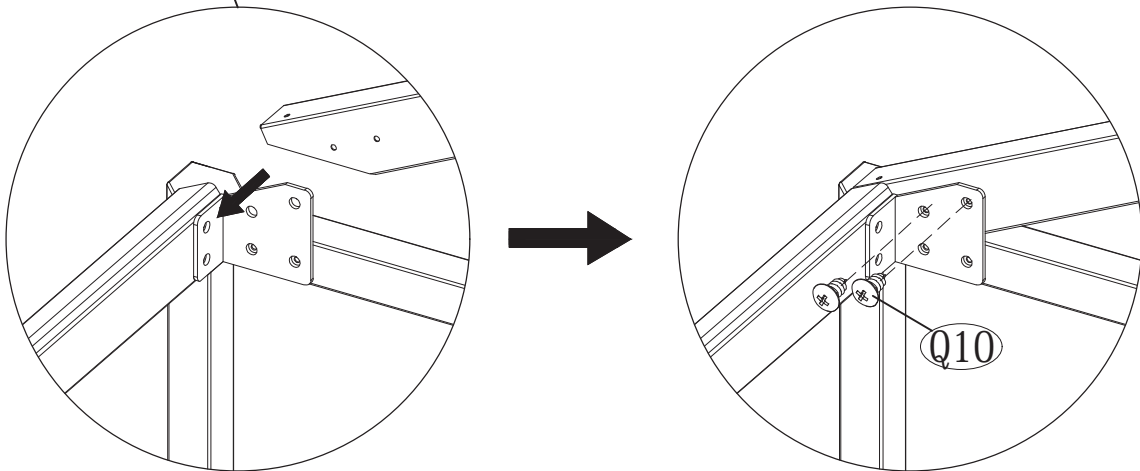
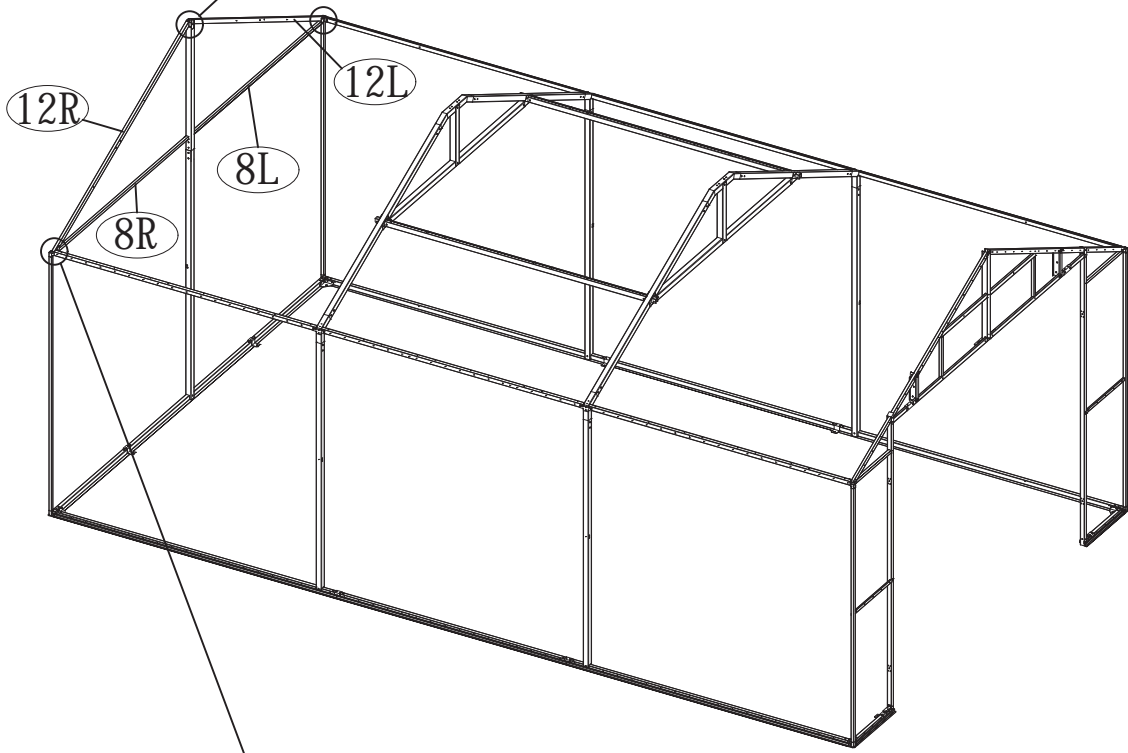
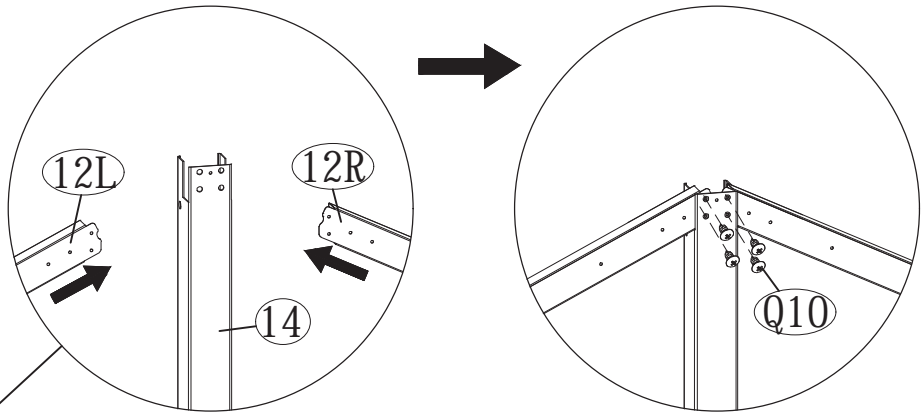
NO.	PART.	Qty.
29	 1852mm	1
35		1
37	 954.1mm	1
46		1
Q10	 Mx1.0mm	2
Q36	 Mx5.0mm	4
Q17	 M6	4
Q20		4



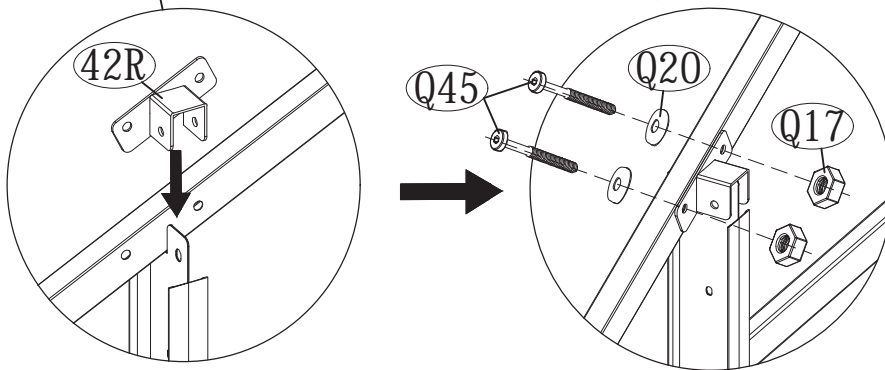
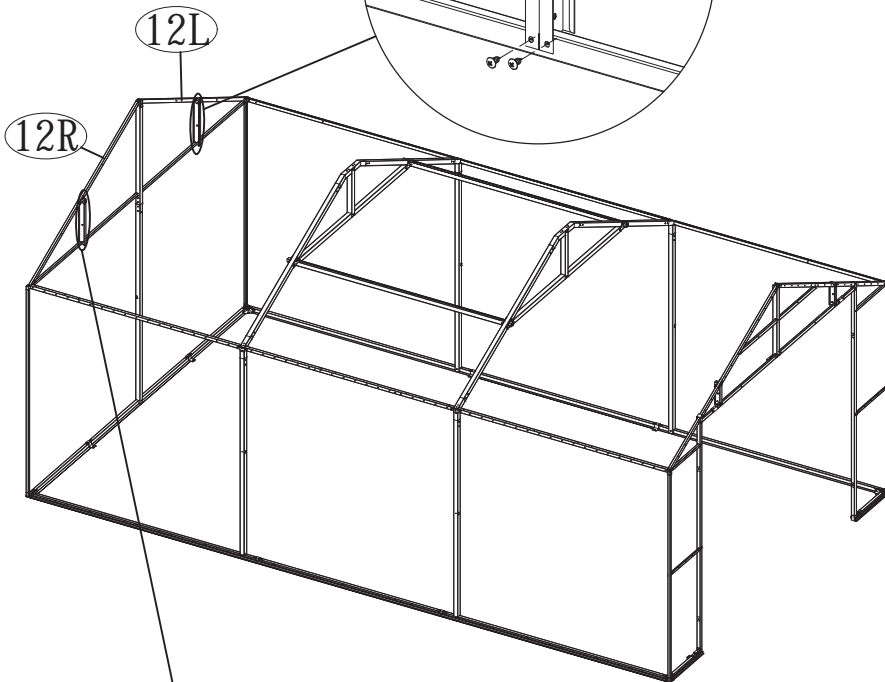
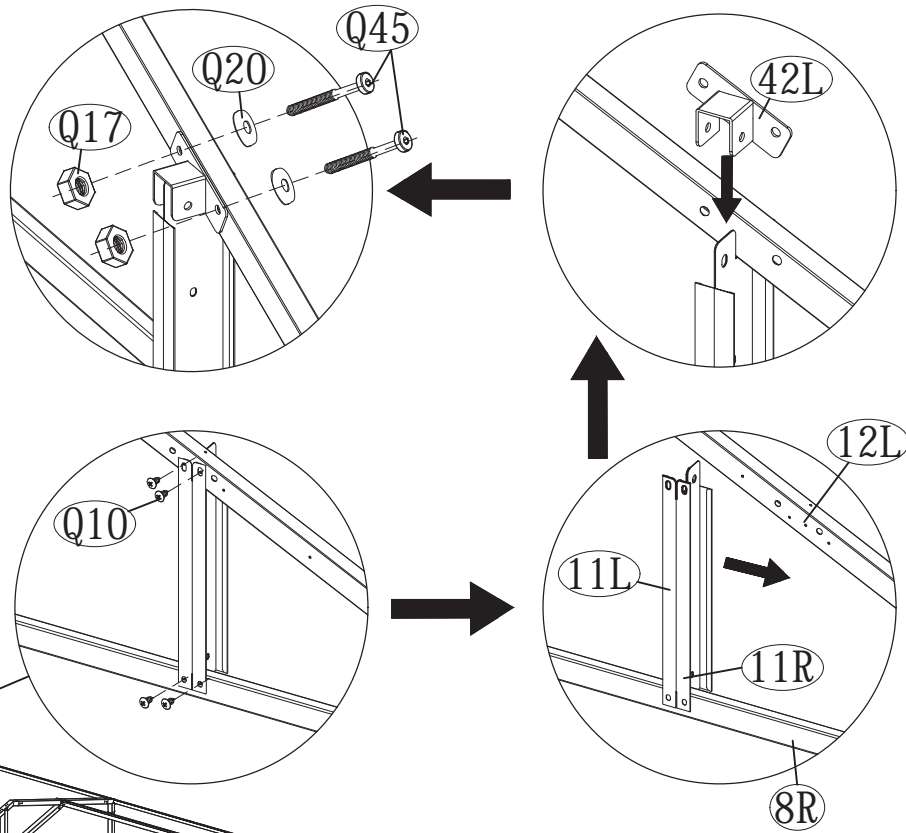
NO.	PART.	Qty.
8L	1711.3mm 1	1
8R	1711.3mm 1	1
50L	1	1
50R	1	1
Q10	Mx1.0mm 12	12
Q43	Mx2.5mm 1	1
Q20	1	1






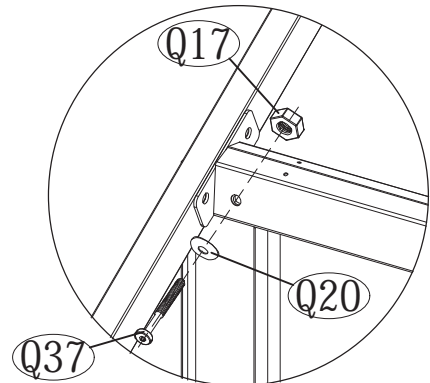
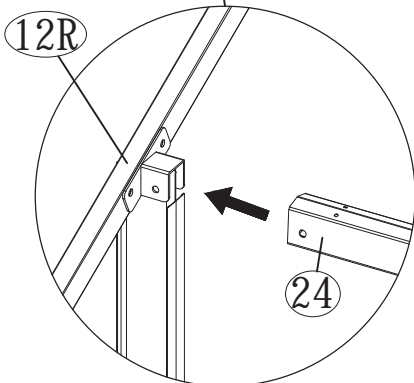
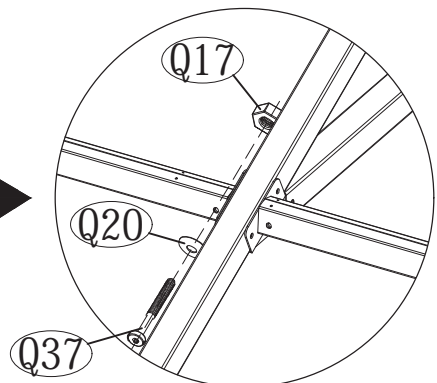
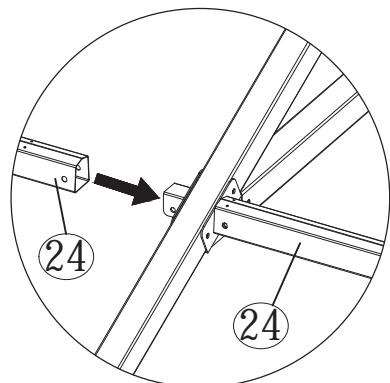
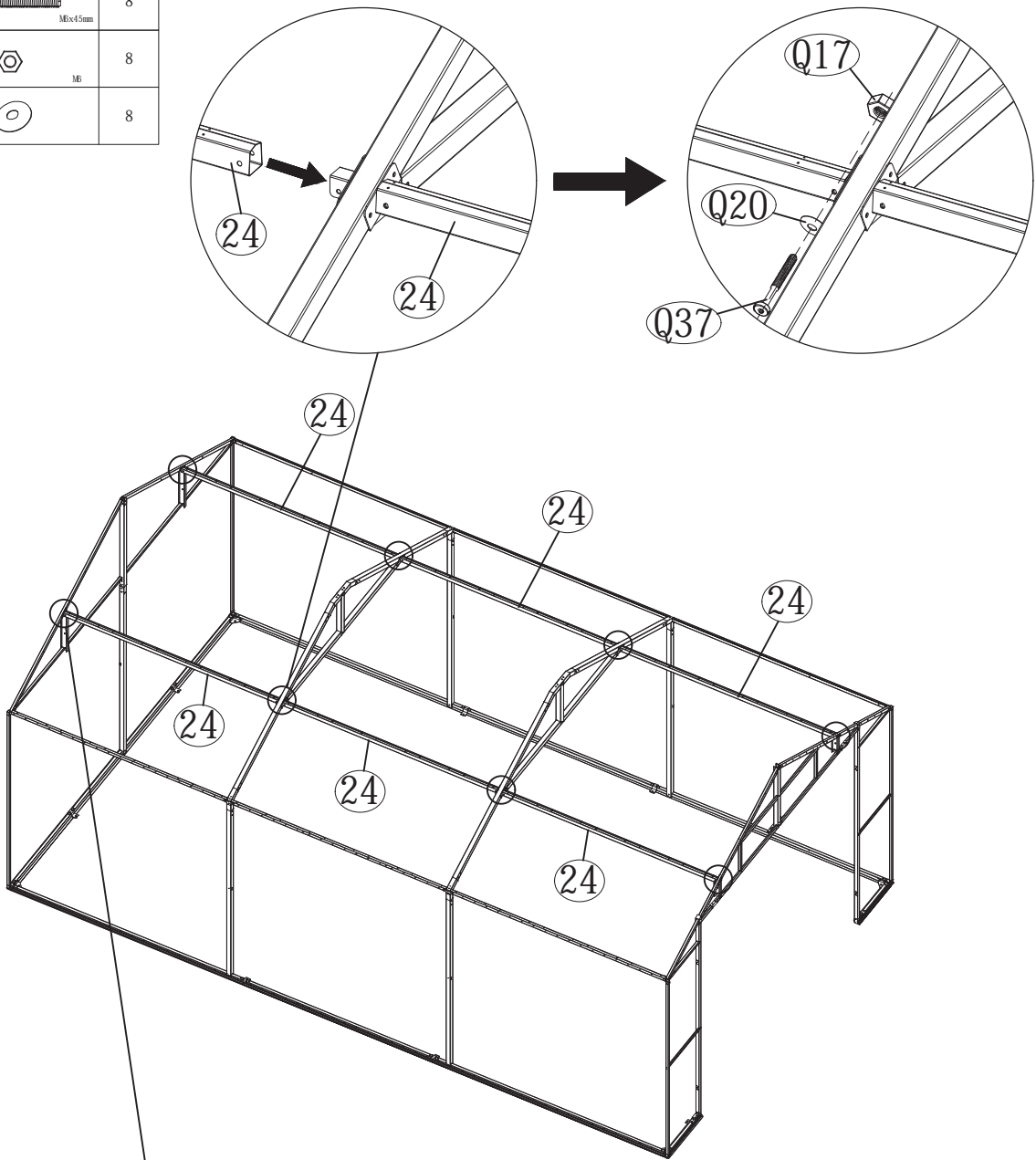
NO.	PART.	Qty.
12L	 1938: 5mm	1
12R	 1938: 5mm	1
Q10	 Mx10mm	8









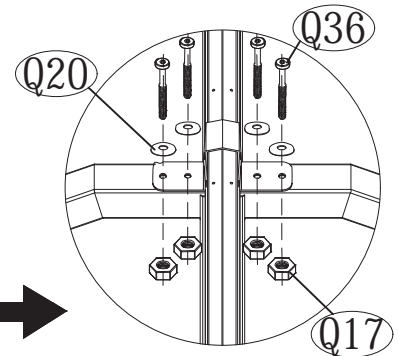
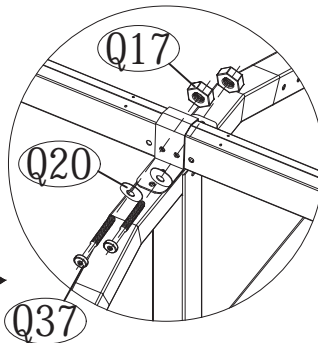
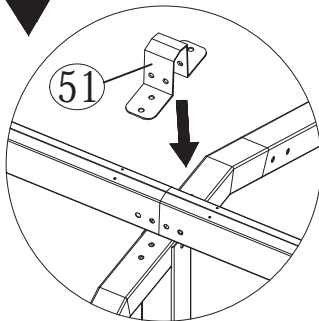
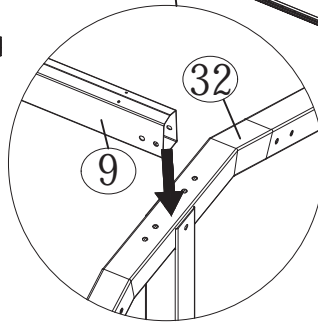
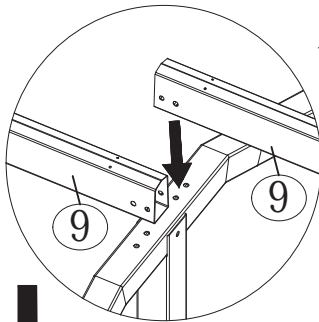
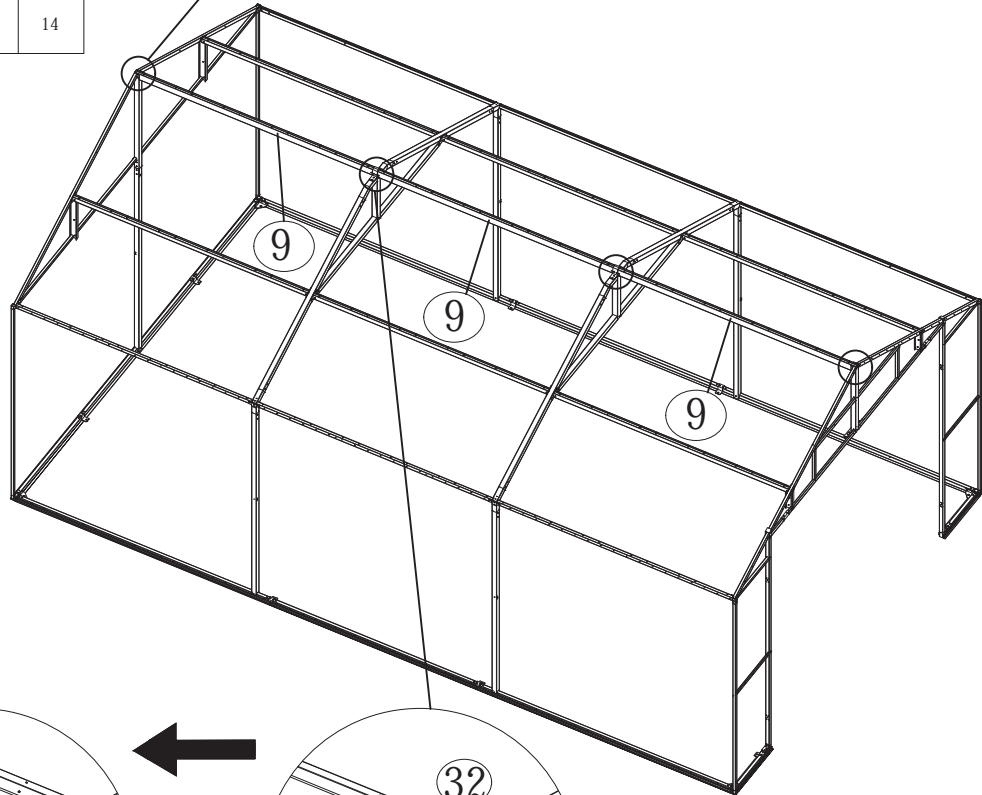
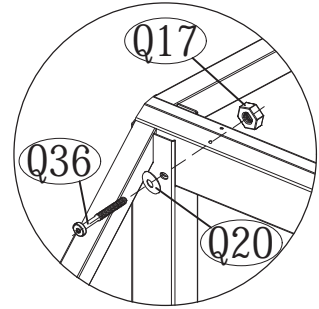
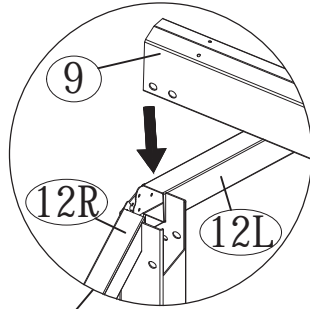
NO.	PART.	Qty.
42L		1
42R		1
Q10	Mx10mm	8
Q45	Mx30mm	4
Q17	M6	4
Q20		4



NO.	PART.	Qty.
Q37	 M8x15mm	8
Q17	 M8	8
Q20		8



NO.	PART.	Qty.
9	 1987, 5mm	3
51		2
Q36	 Mx50mm	10
Q37	 Mx45mm	4
Q17	 ME	14
Q20		14

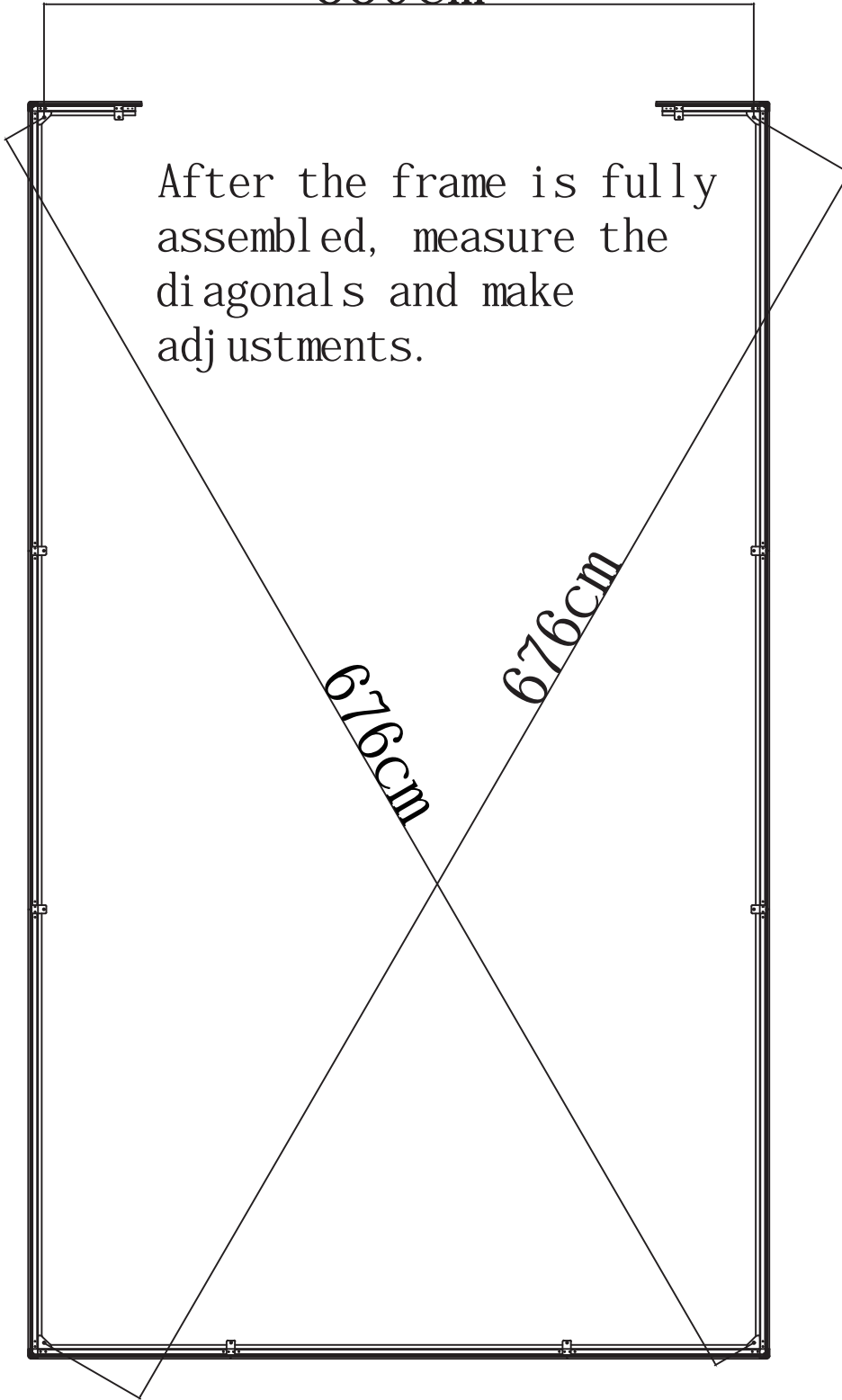





339cm

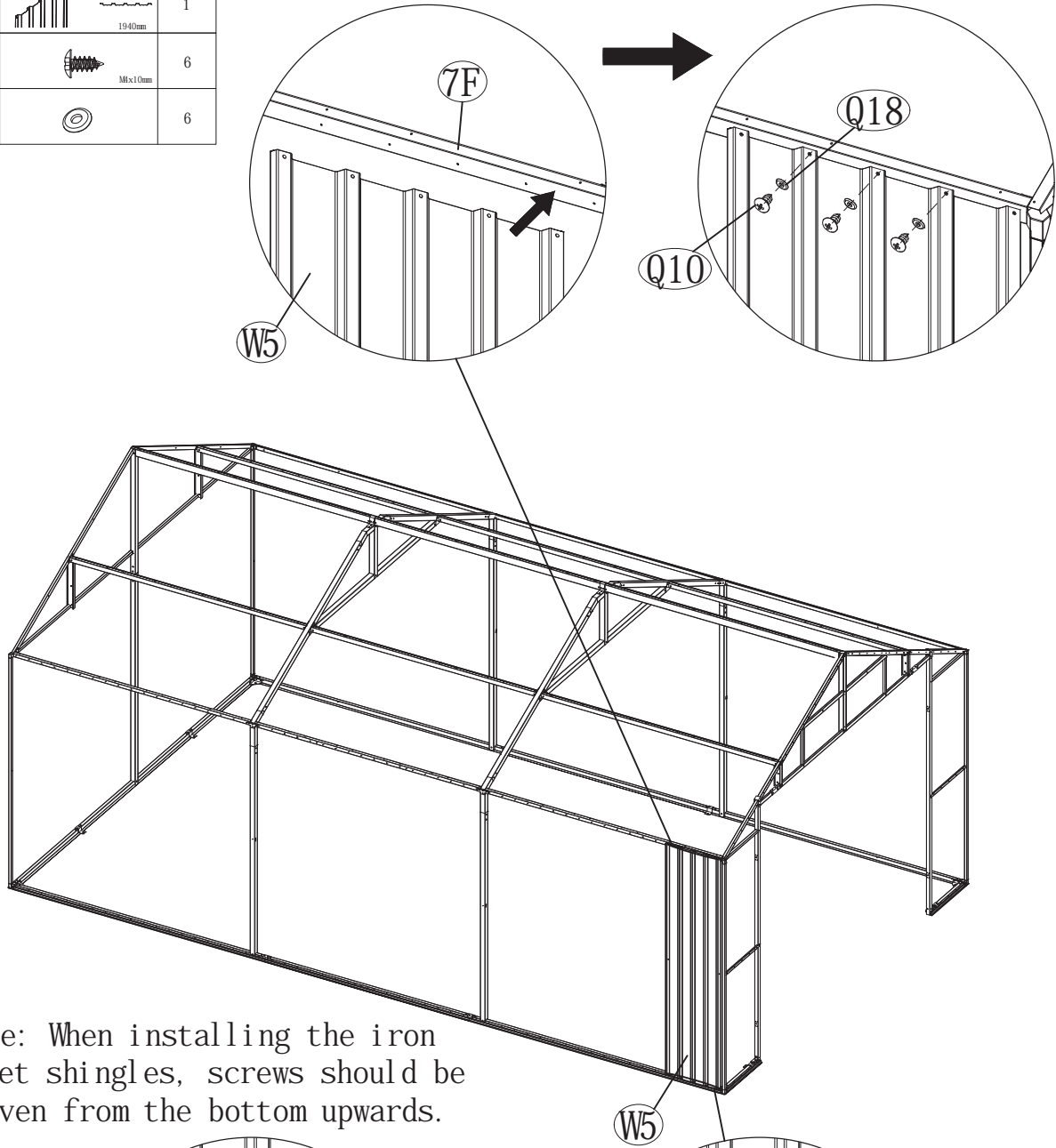
After the frame is fully assembled, measure the diagonals and make adjustments.

676cm

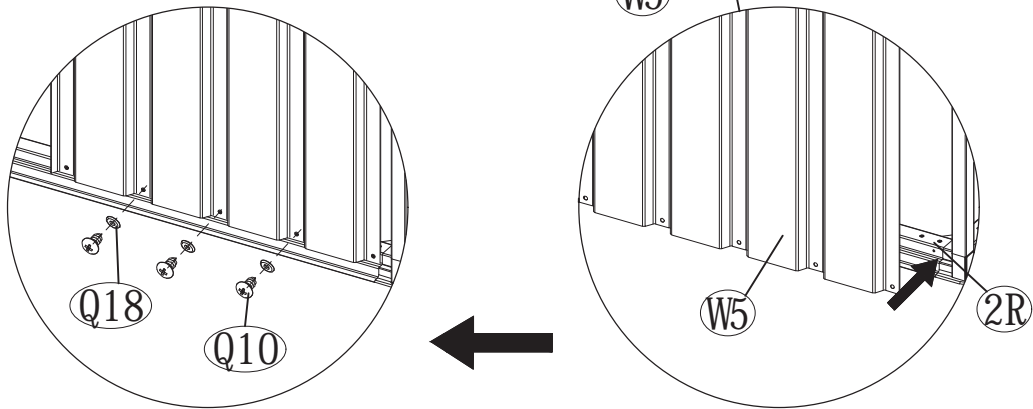
676cm






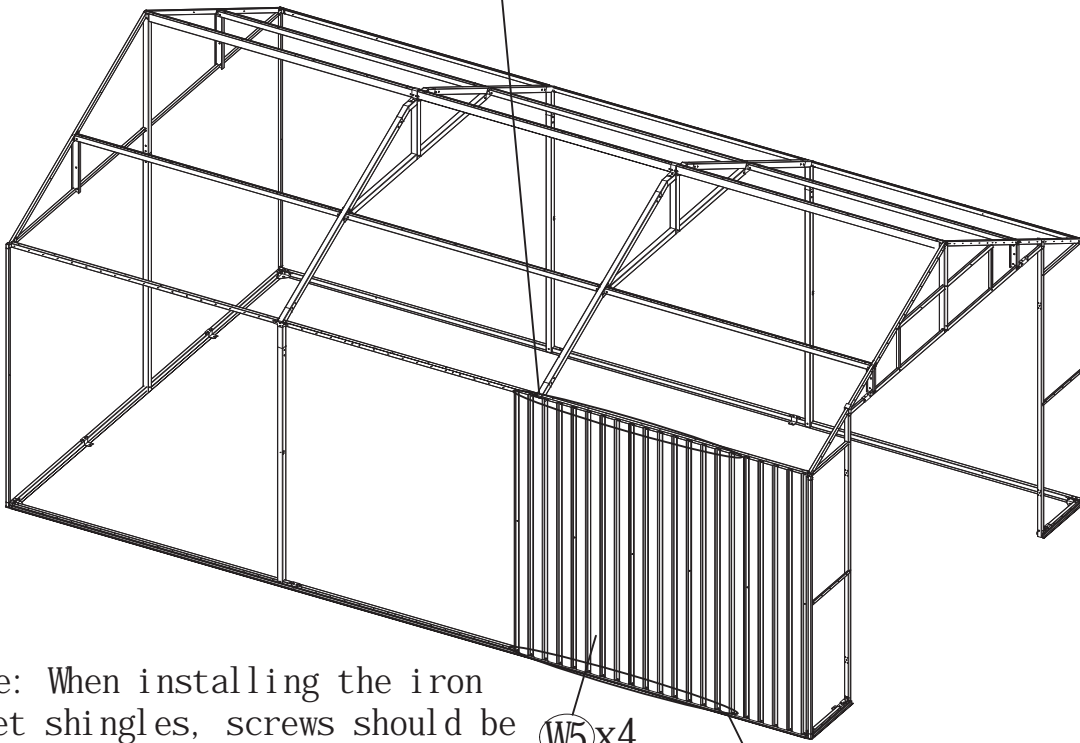
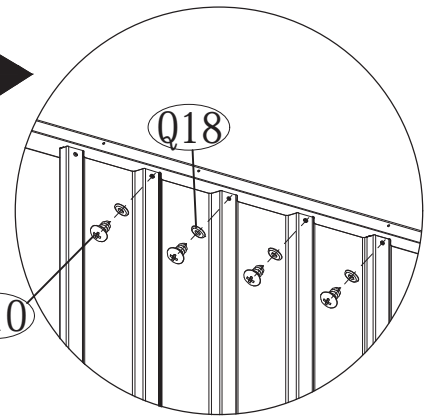
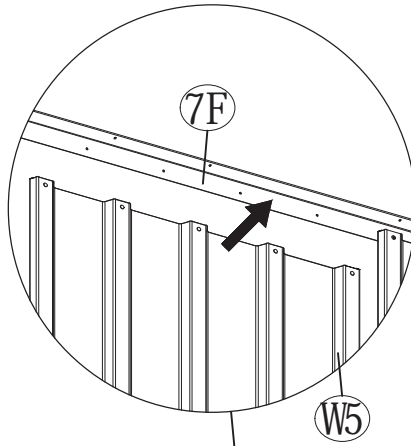
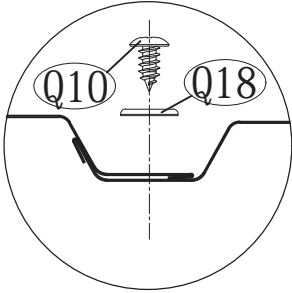
NO.	PART.	Qty.
W5	 1940mm	1
Q10	 Mx10mm	6
Q18		6



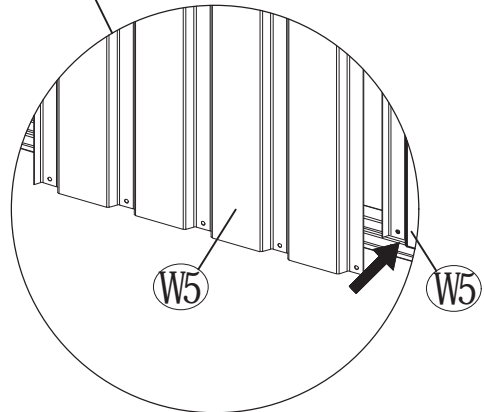
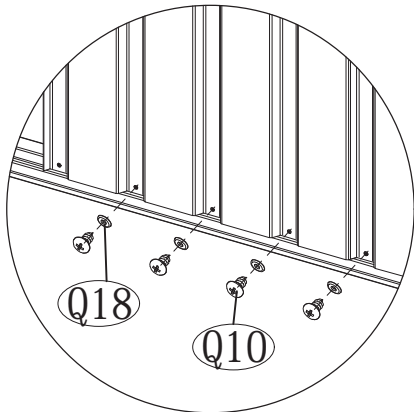
Note: When installing the iron sheet shingles, screws should be driven from the bottom upwards.





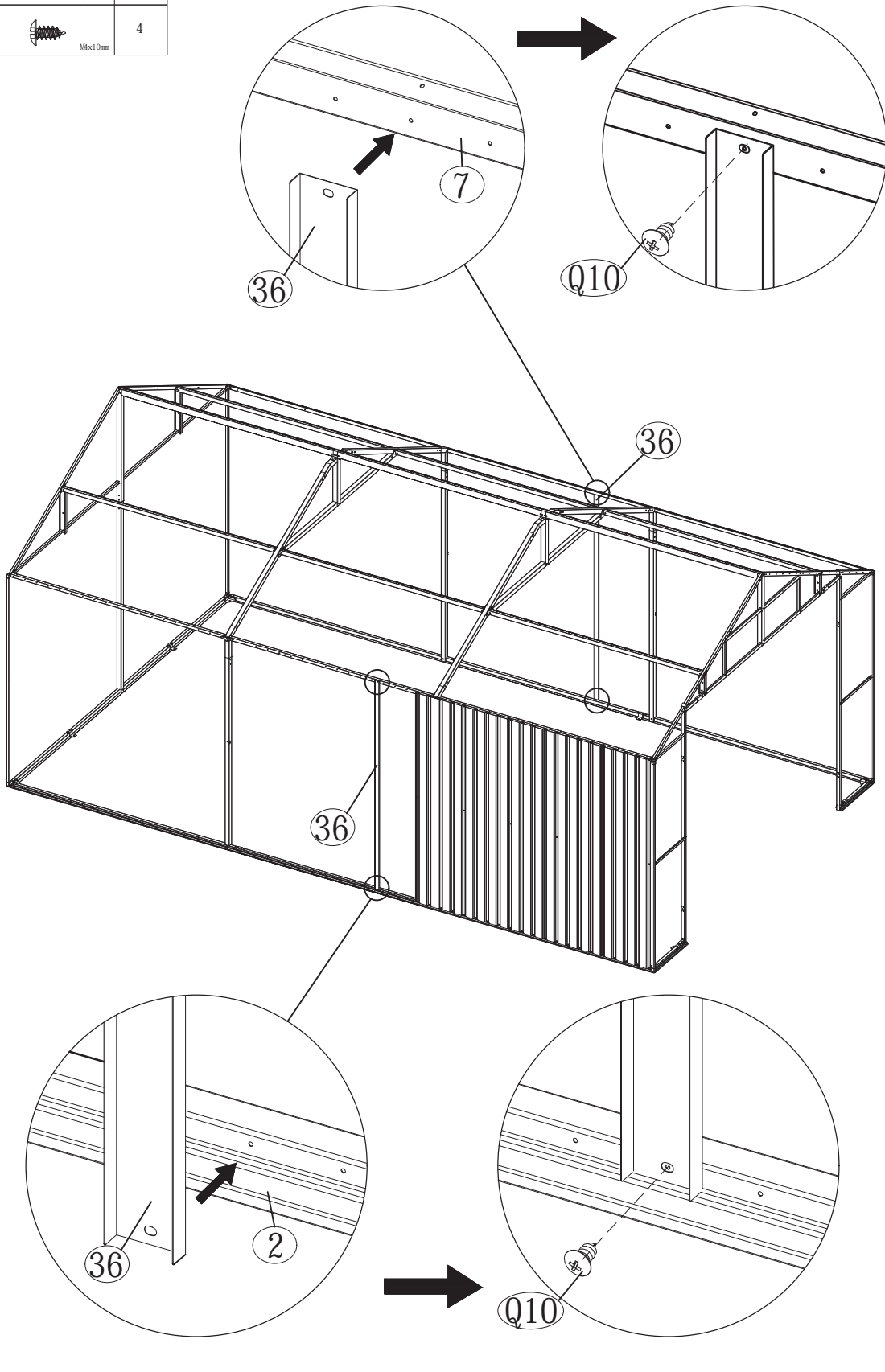
NO.	PART.	Qty.
W5	 1940mm	4
Q10	 Mx10mm	32
Q18		32







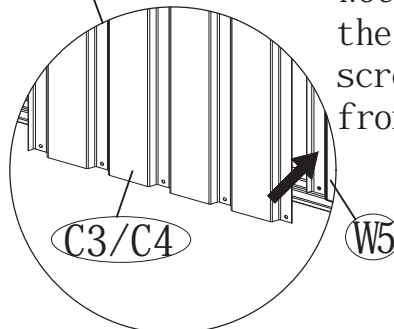
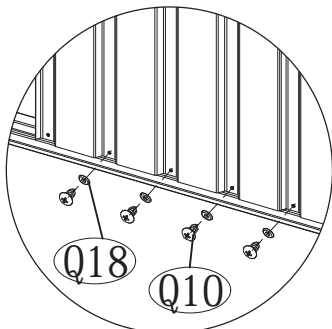
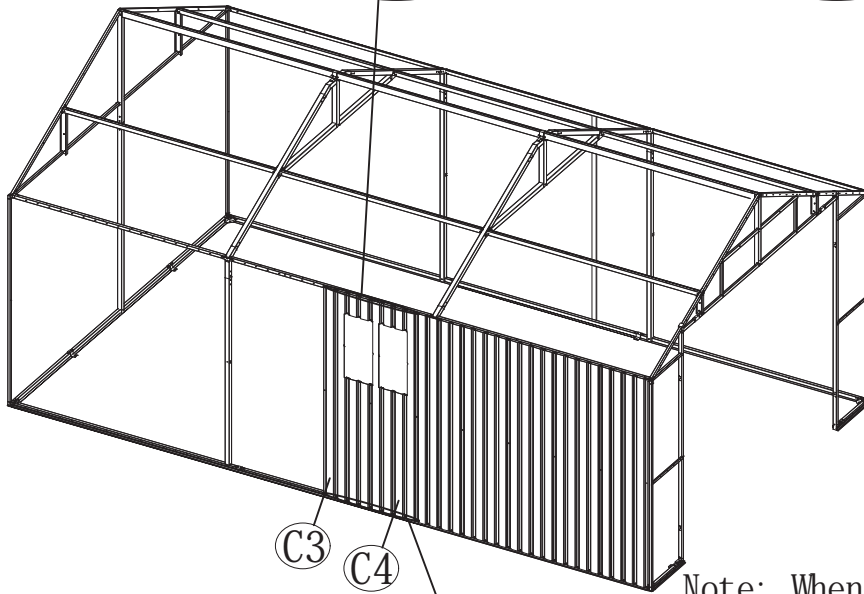
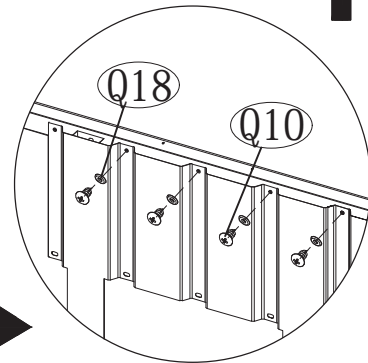
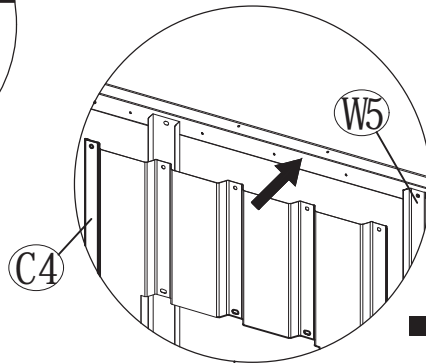
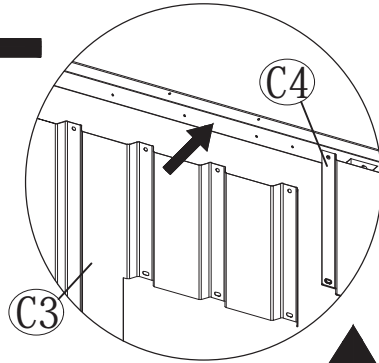
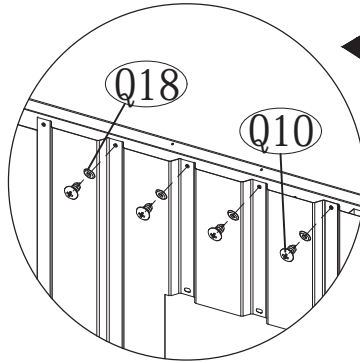
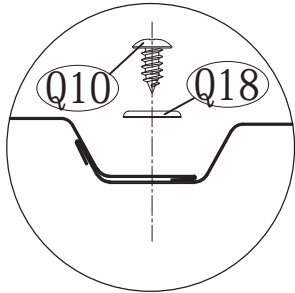
Note: When installing the iron sheet shingles, screws should be driven from the bottom upwards. $\text{W5} \times 4$






NO.	PART.	Qty.
36	 1940mm	2
Q10	 Mx10mm	4

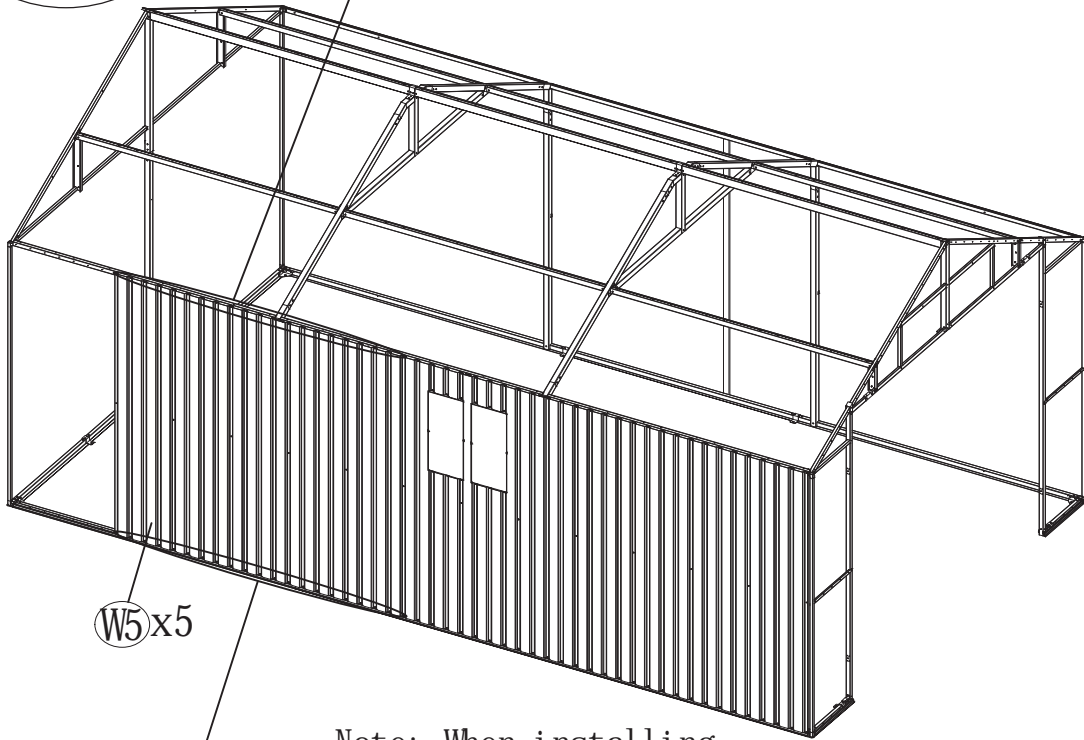
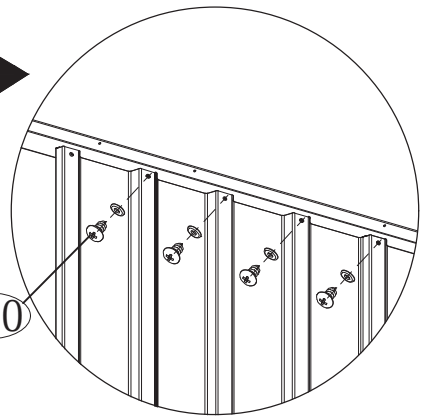
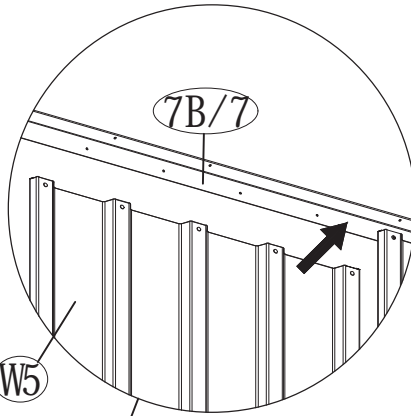
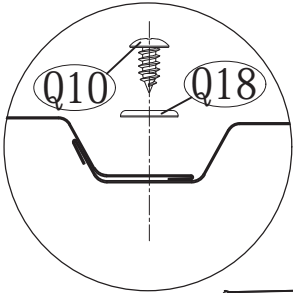


NO.	PART.	Qty.
C3	 1940mm	1
C4	 1940mm	1
Q10	 M6x10mm	16
Q18		16

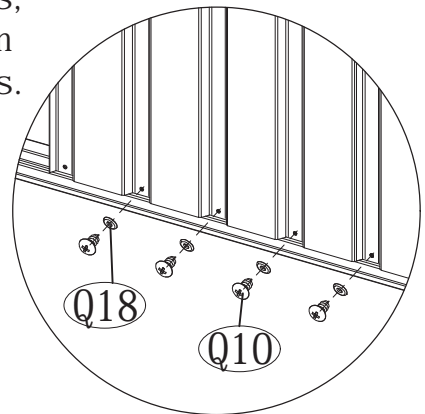
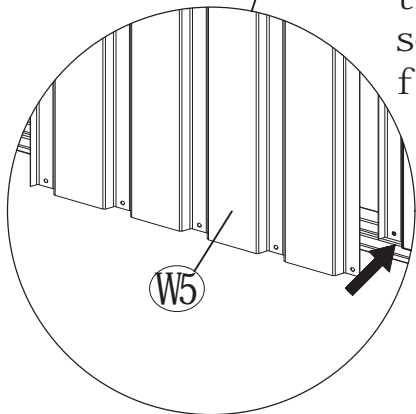








Note: When installing the iron sheet shingles, screws should be driven from the bottom upwards.

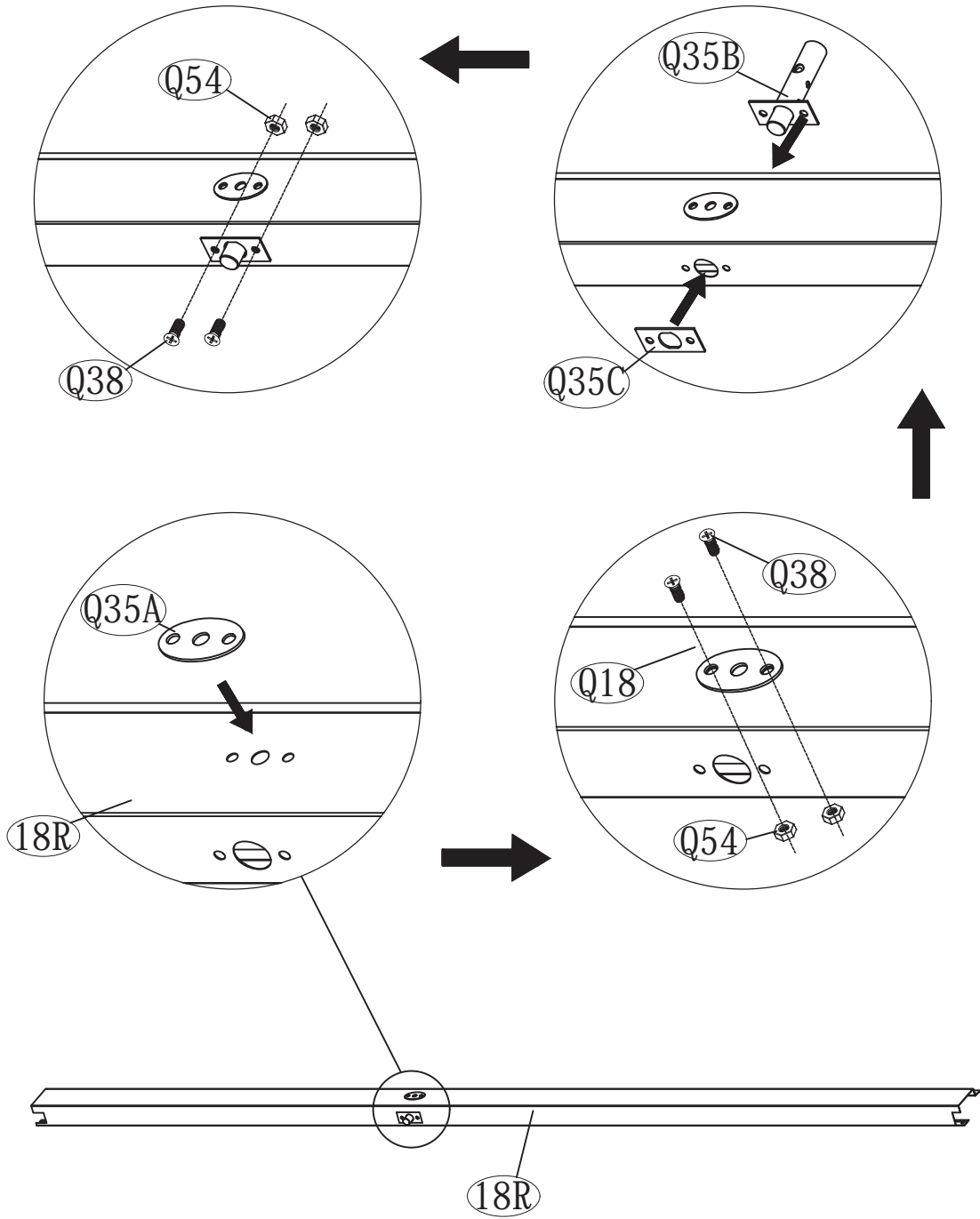
NO.	PART.	Qty.
W5	 1940mm	5
Q10	 Mx10mm	40
Q18		40





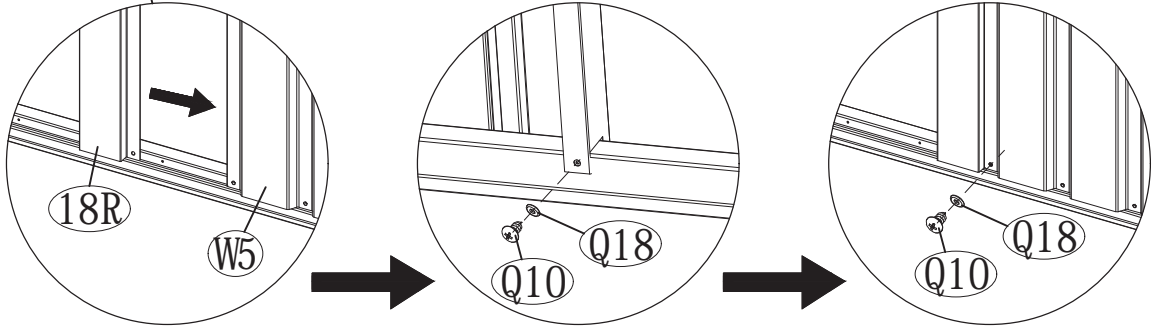
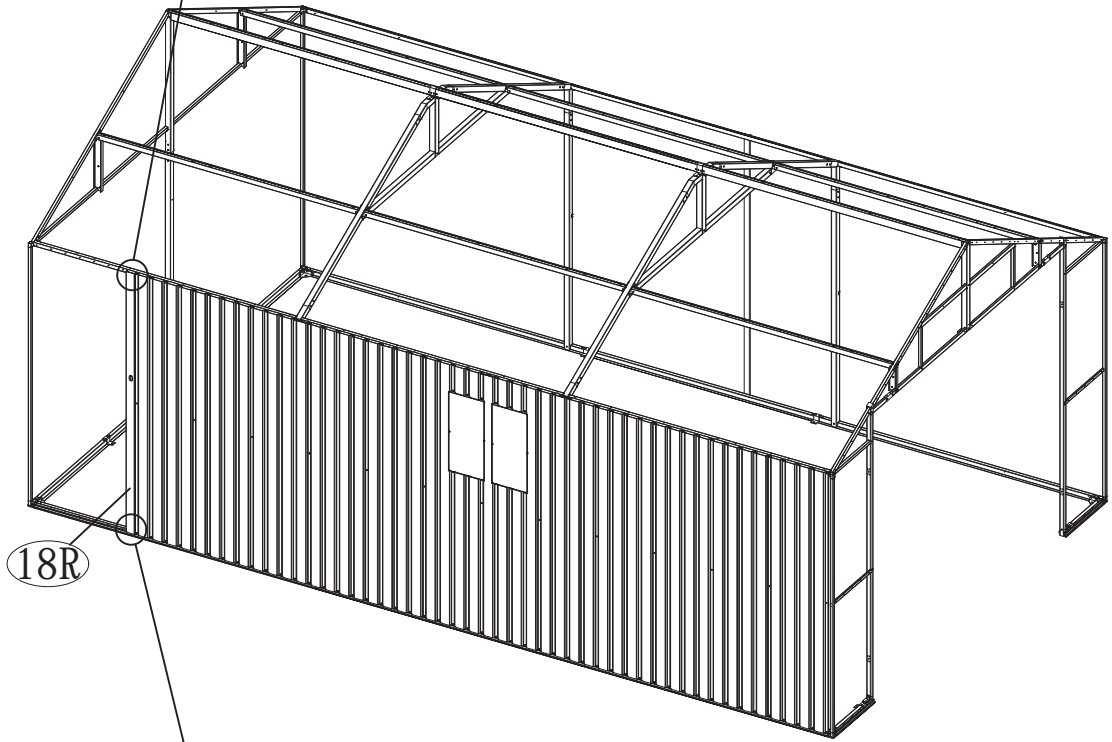
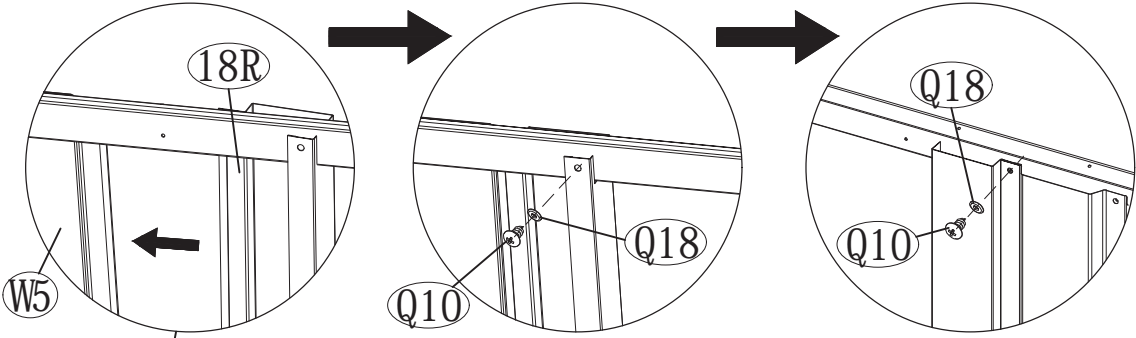
Note: When installing the iron sheet shingles, screws should be driven from the bottom upwards.






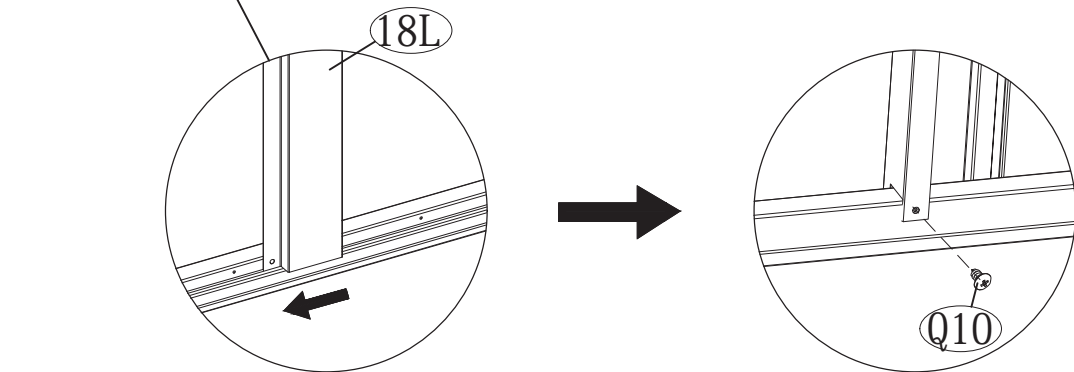
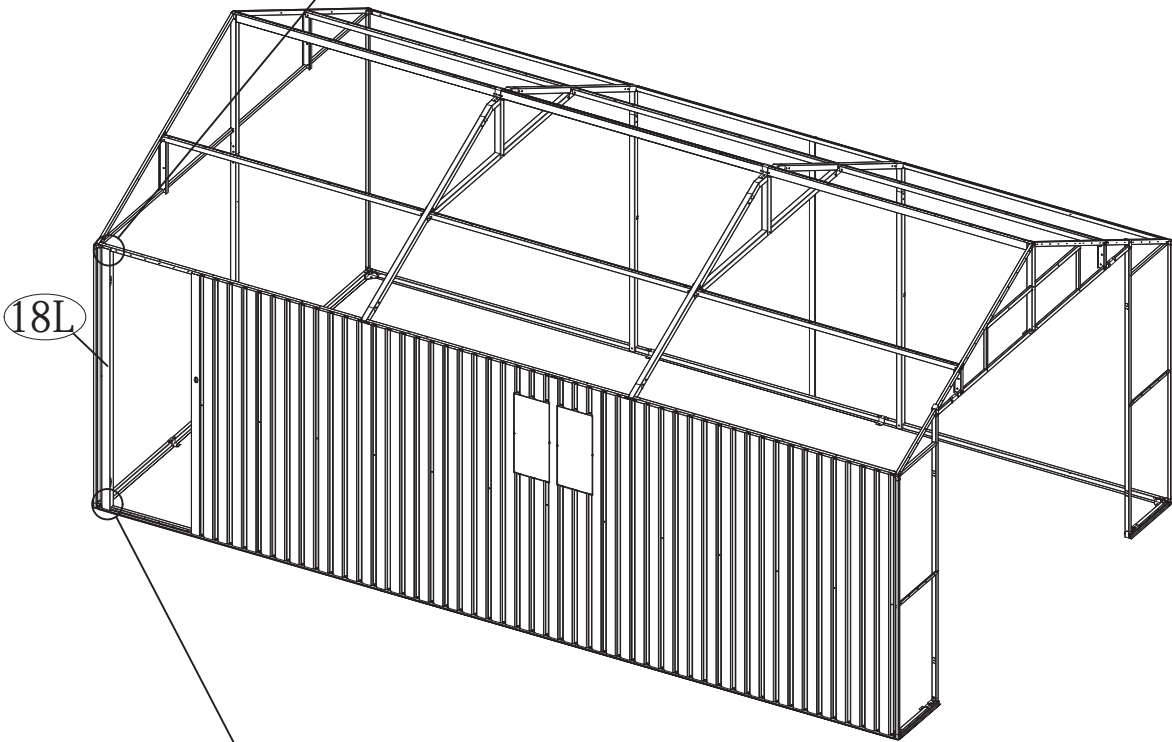
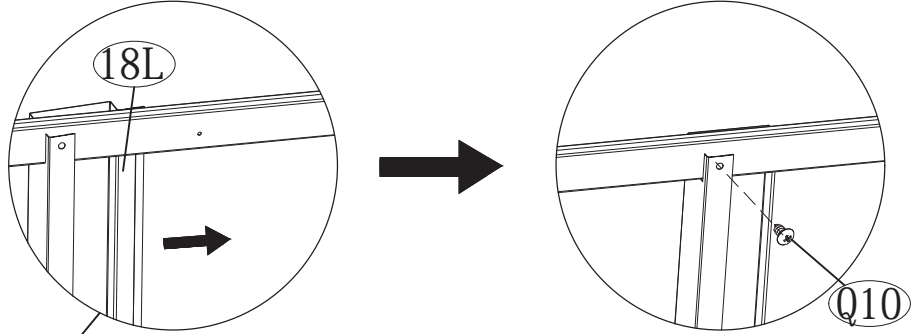
NO.	PART.	Qty.	NO.	PART.	Qty.
18R	 1940mm	1	Q35A		1
Q38	 Mx10mm	4	Q35B		1
Q54	 M	4	Q35C		1






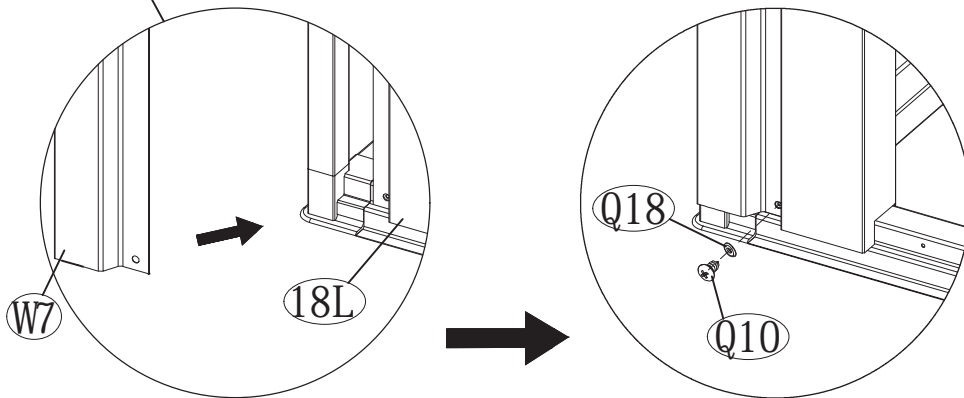
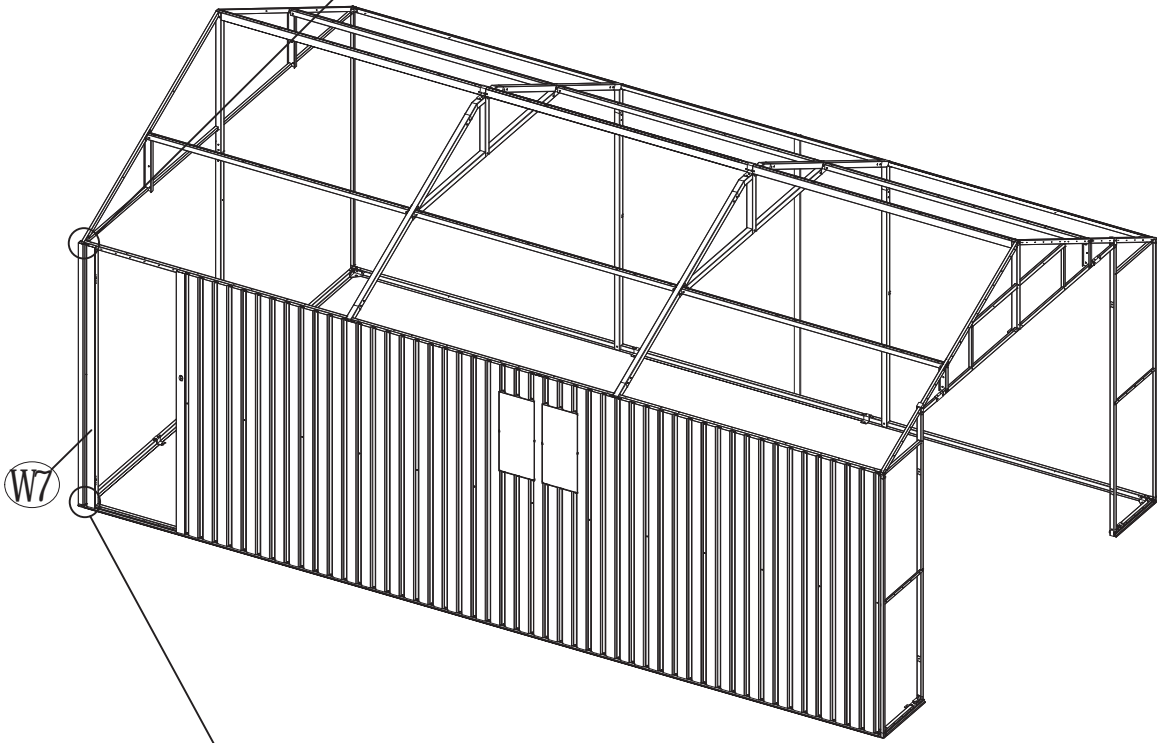
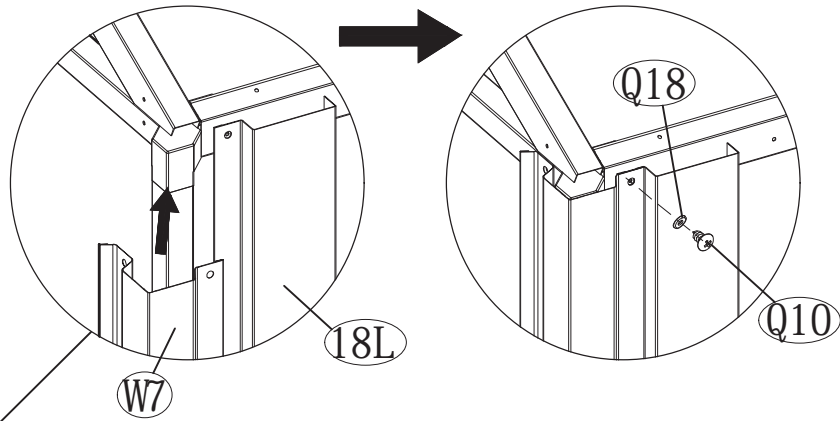
NO.	PART.	Qty.
Q10	 Mx10mm	4
Q18		4





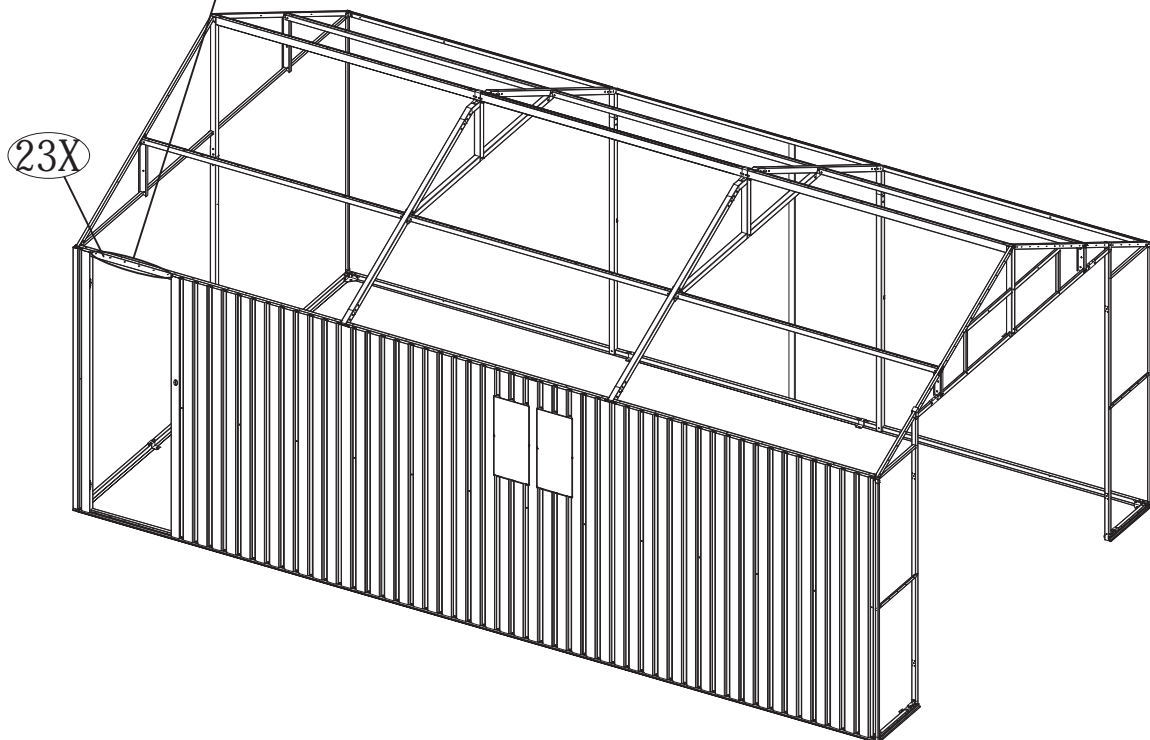
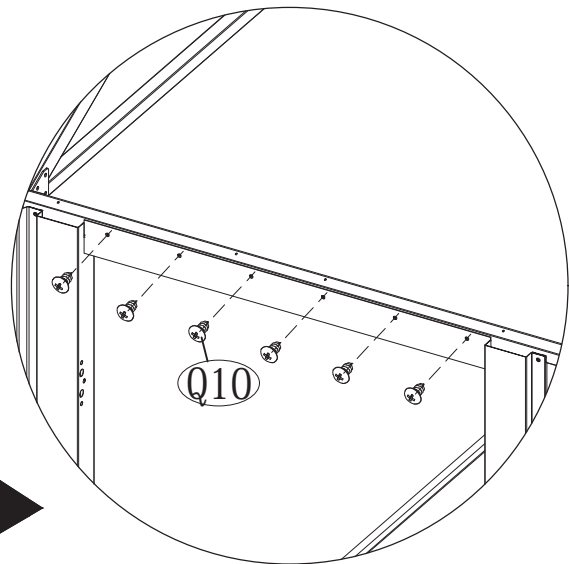
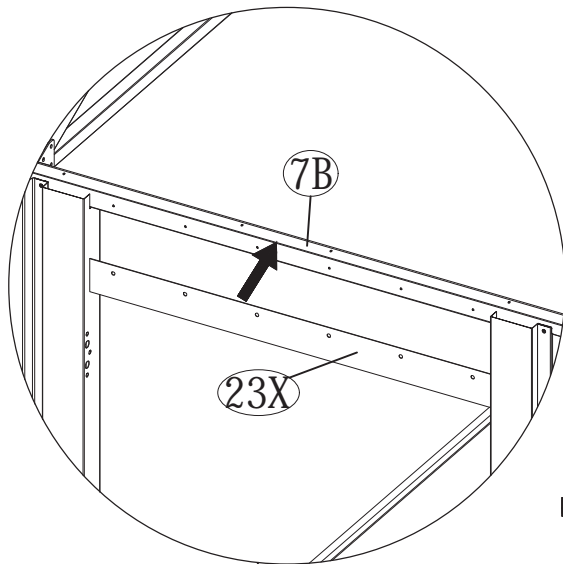
NO.	PART.	Qty.
18L	 1940mm	1
Q10	 Mx10mm	2
Q18		2







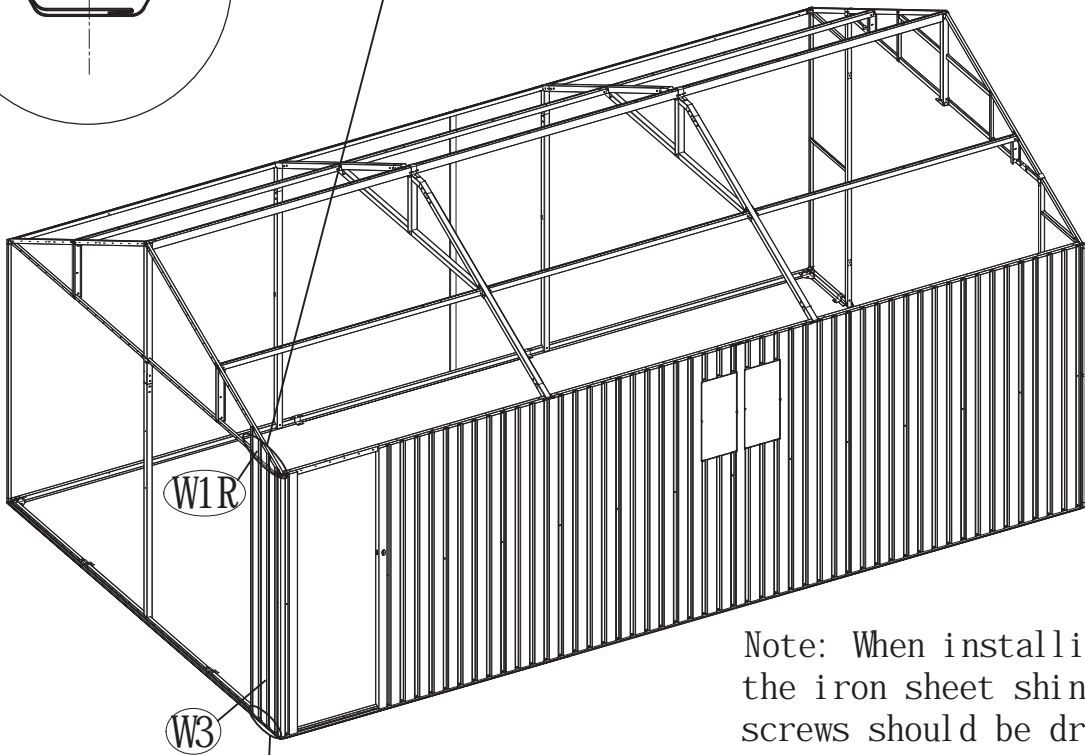
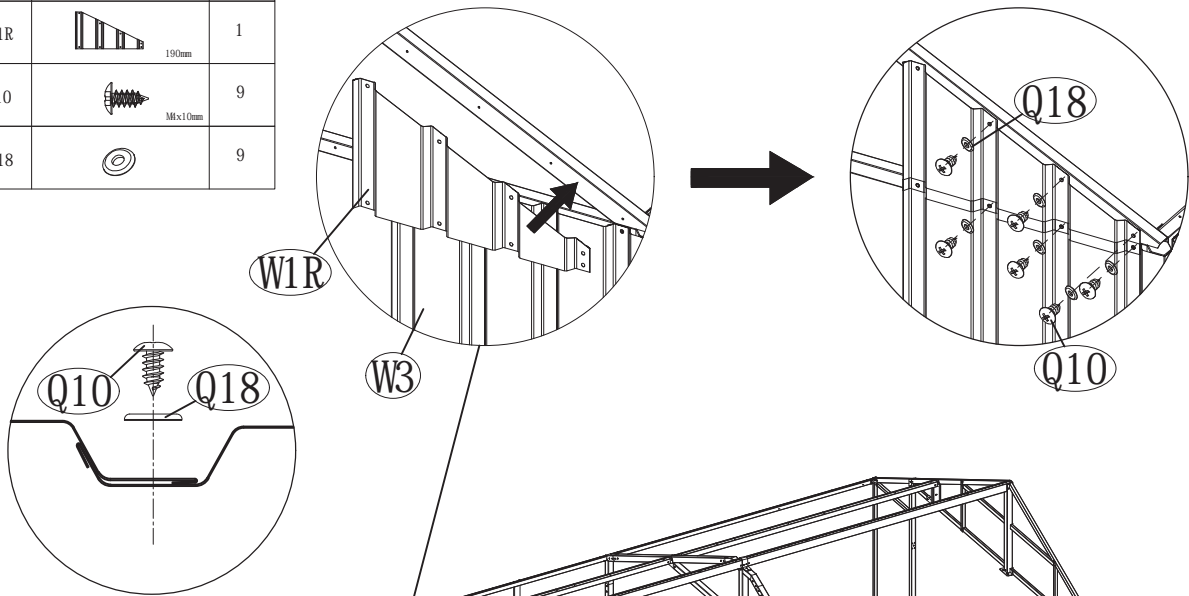
NO.	PART.	Qty.
W7	 1940mm	1
Q10	 Mx10mm	2
Q18		2



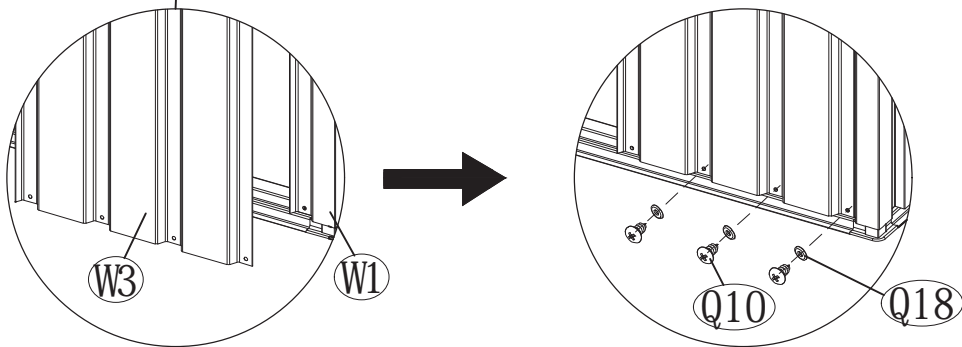
NO.	PART.	Qty.
23X		1
Q10	 Mx10mm	6









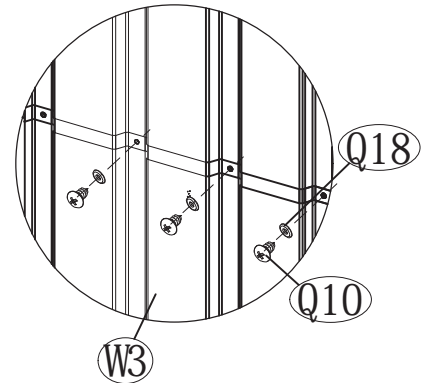
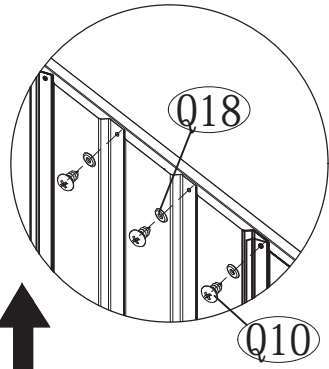
NO.	PART.	Qty.
W3	 1940mm	1
W1R	 190mm	1
Q10	 Mx1.0mm	9
Q18		9



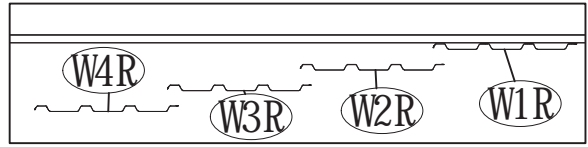
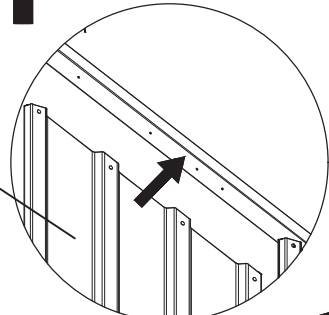
Note: When installing the iron sheet shingles, screws should be driven from the bottom upwards.



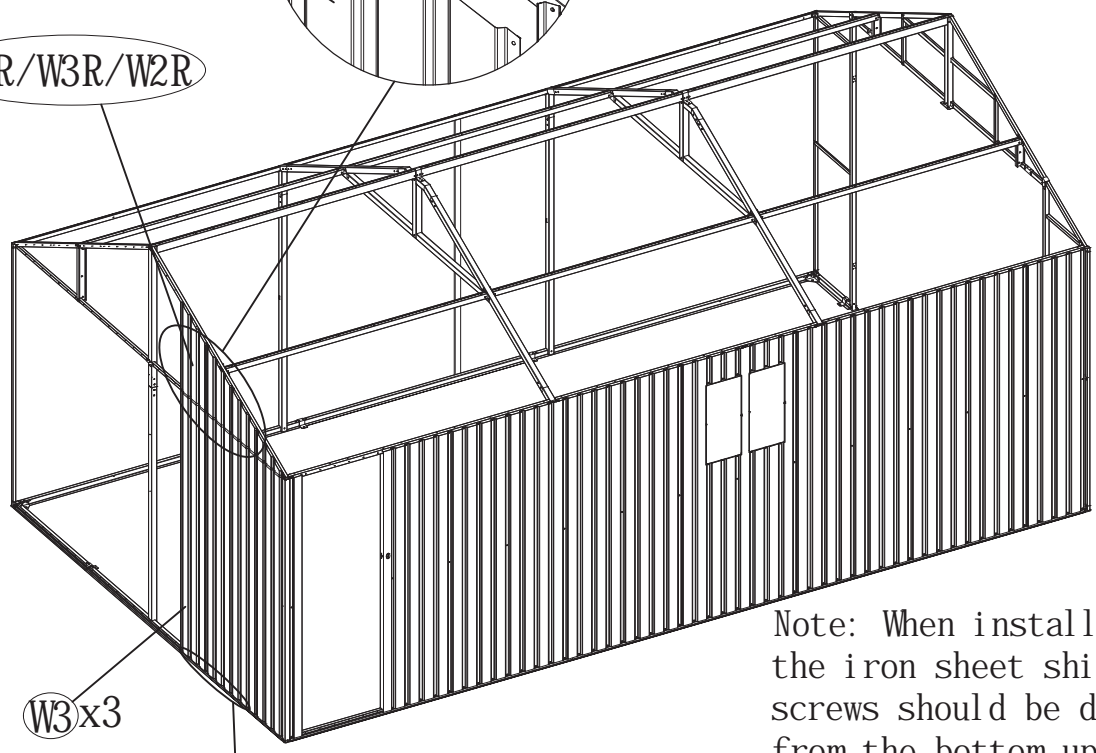
NO.	PART.	Qty.
W3	 1940mm	3
W2R	 346.6mm	1
W3R	 503.2mm	1
W4R	 639.8mm	1
Q10	 M4x1.0mm	27
Q18		27



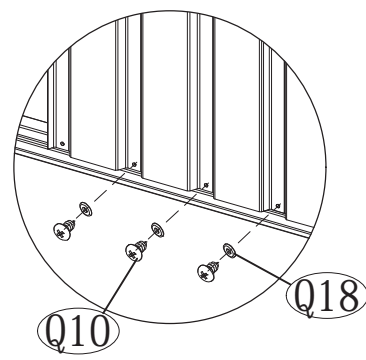
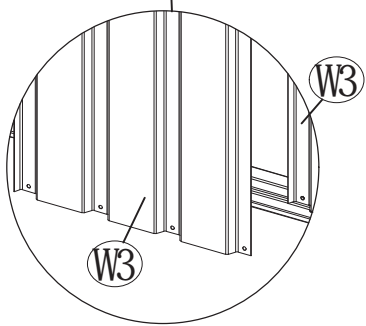
W4R/W3R/W2R







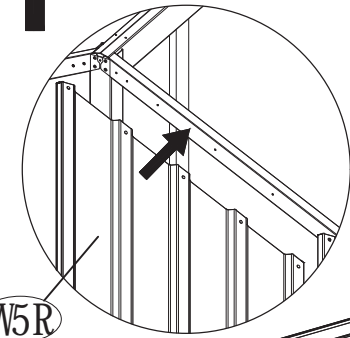
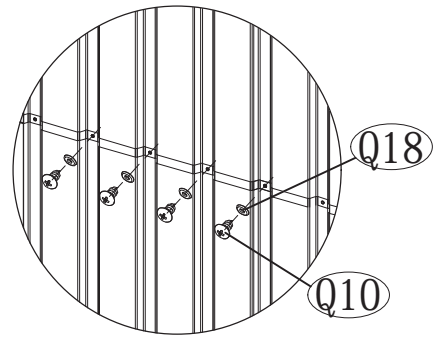
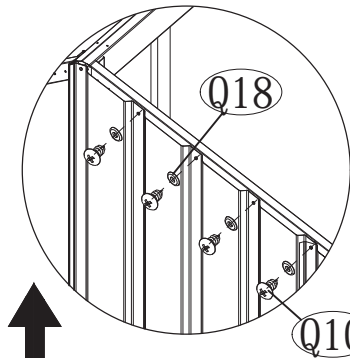
W4R/W3R/W2R



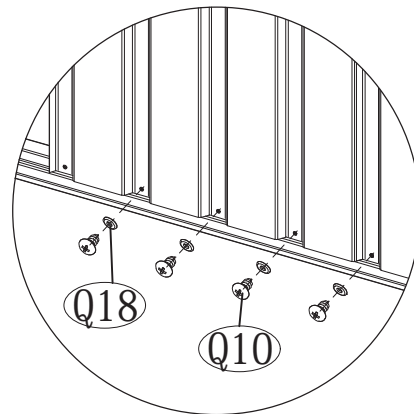
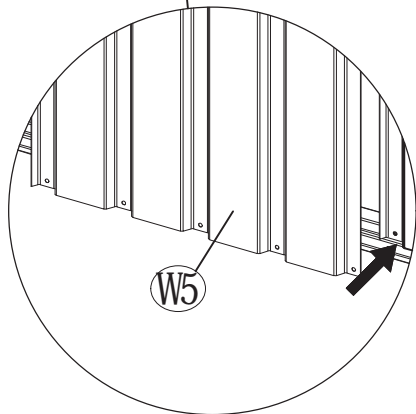
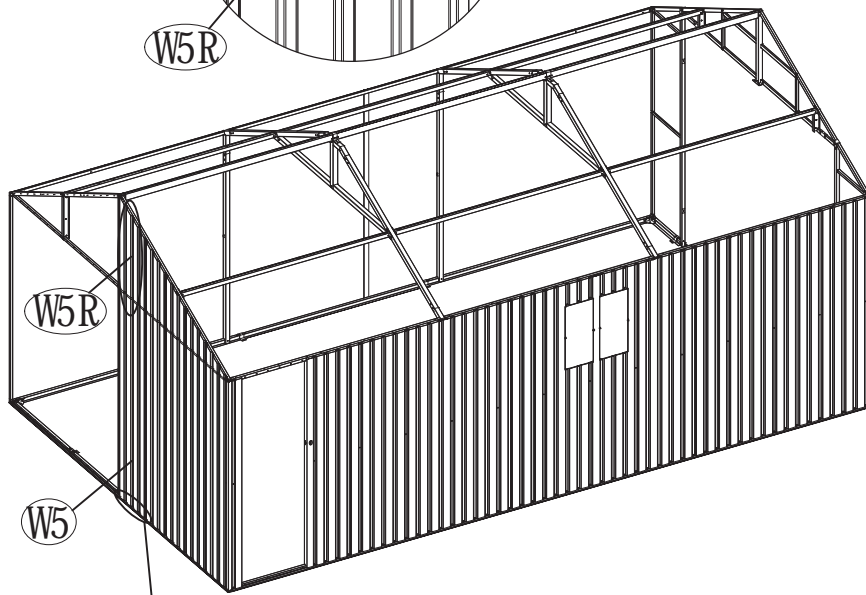
Note: When installing the iron sheet shingles, screws should be driven from the bottom upwards.







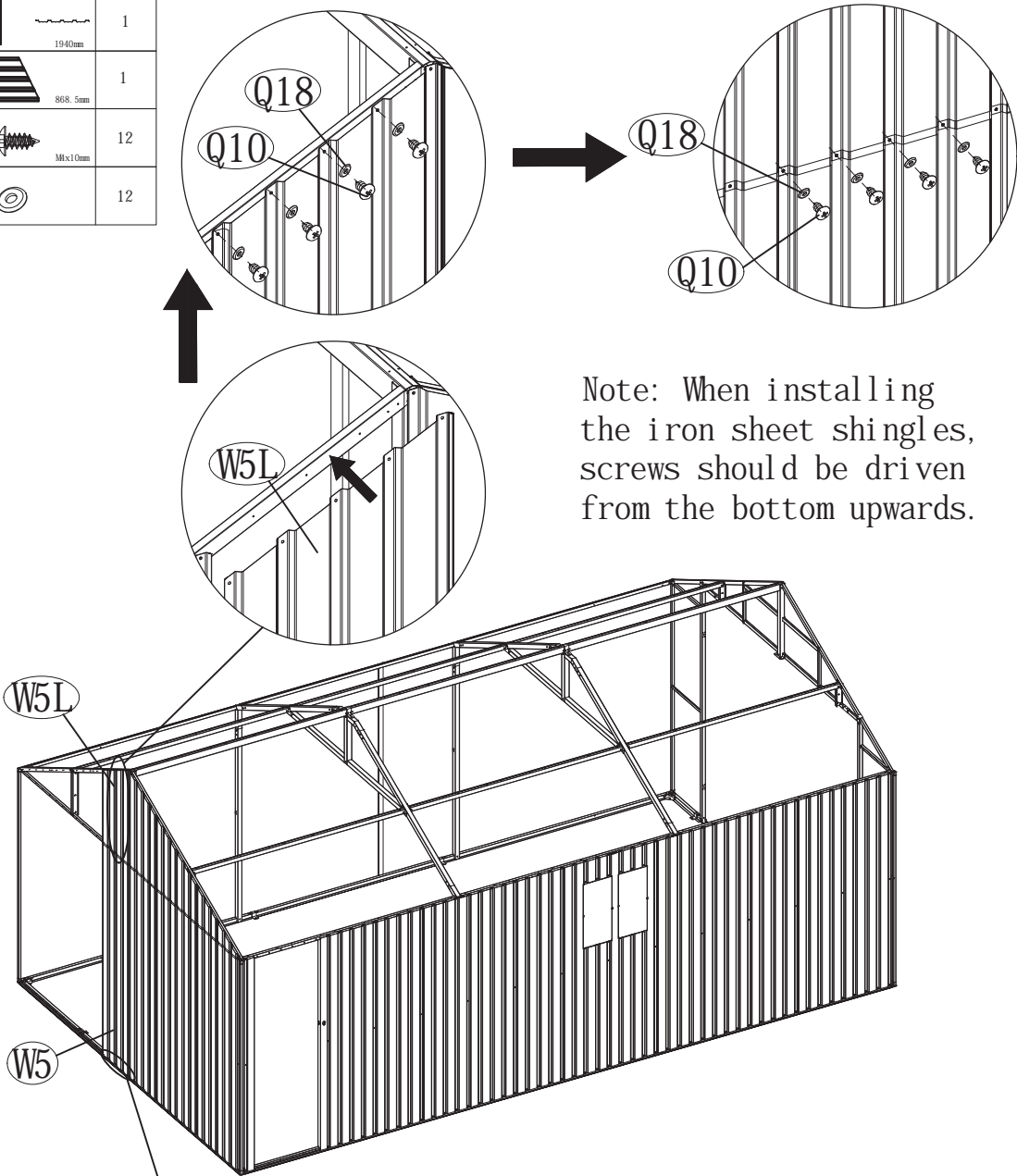
NO.	PART.	Qty.
W5	 1940mm	1
W5R	 868.5mm	1
Q10	 Mx10mm	12
Q18		12



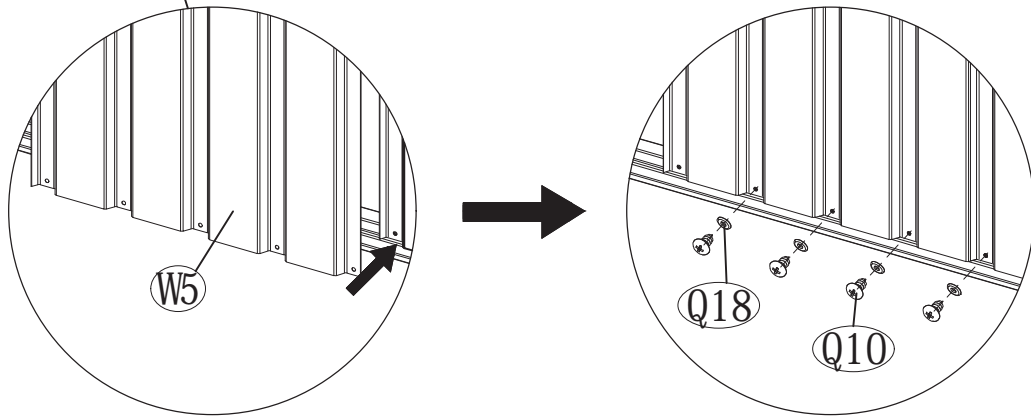
Note: When installing the iron sheet shingles, screws should be driven from the bottom upwards.

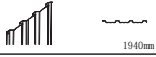







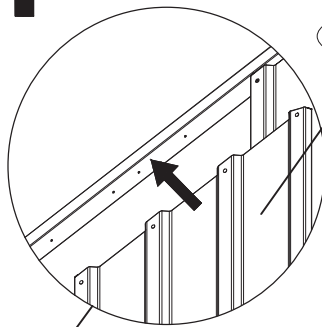
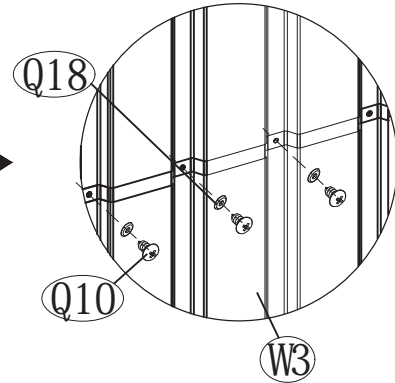
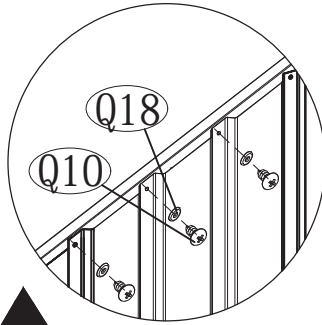
NO.	PART.	Qty.
W5	 1940mm	1
W5L	 868.5mm	1
Q10	 Mx10mm	12
Q18		12



Note: When installing the iron sheet shingles, screws should be driven from the bottom upwards.



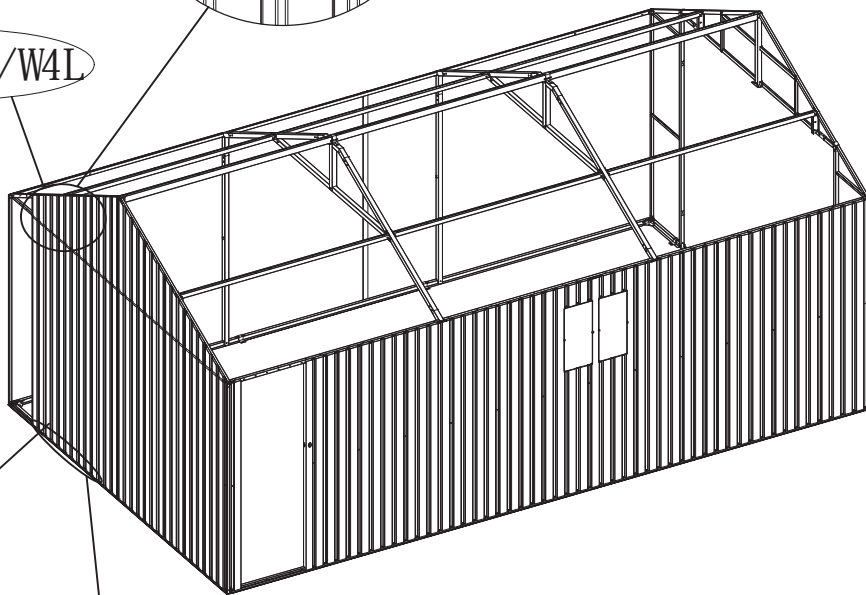
NO.	PART.	Qty.
W3	 1940mm	3
W2L	 346.6mm	1
W3L	 503.2mm	1
W4L	 659.8mm	1
Q10	 Mx1.0mm	27
Q18		27



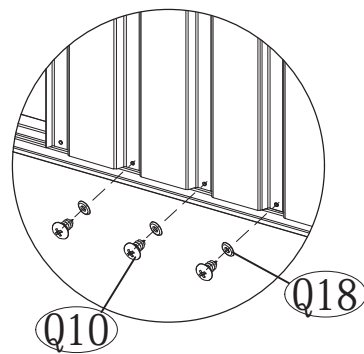
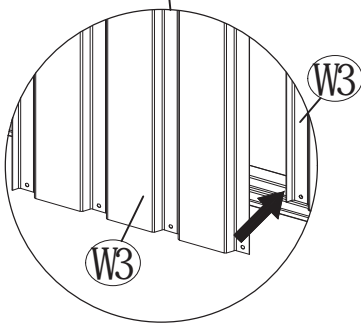
W2L/W3L/W4L





Note: When installing the iron sheet shingles, screws should be driven from the bottom upwards.

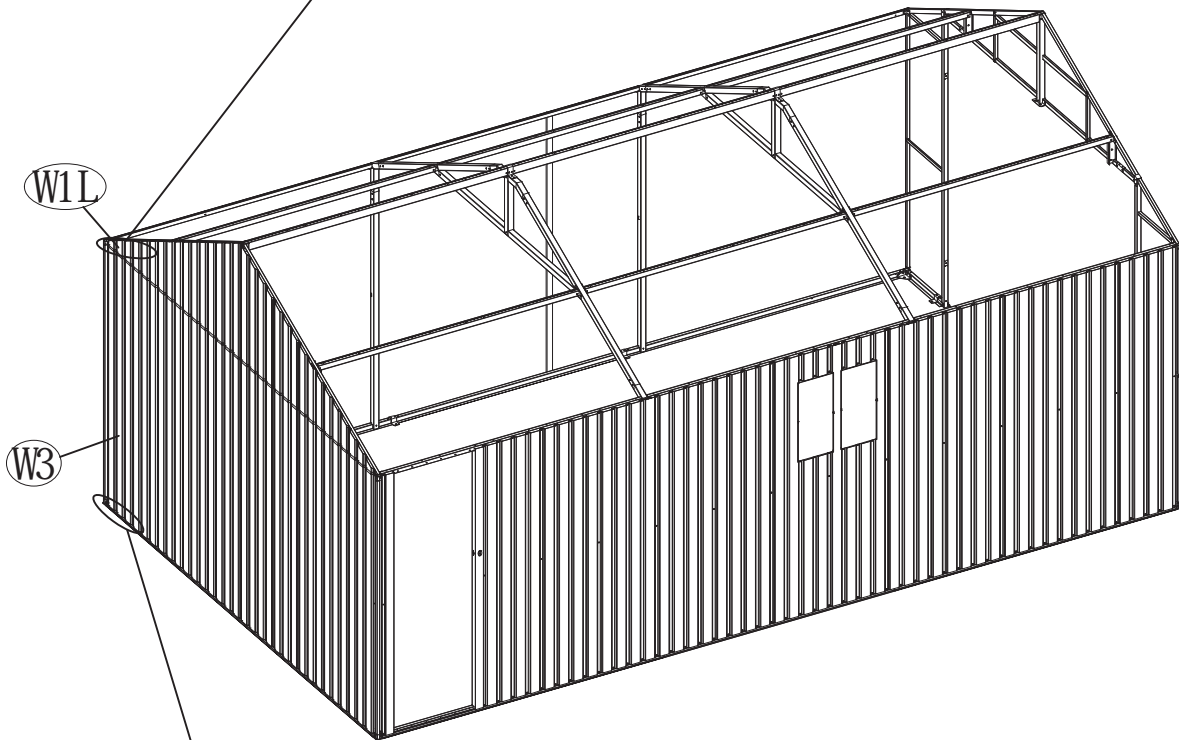
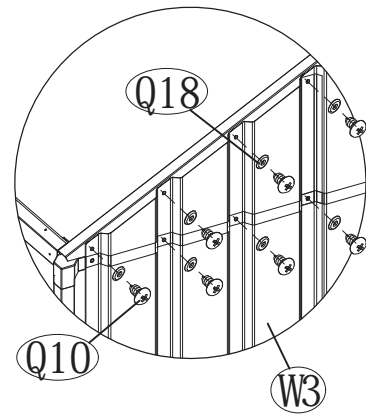
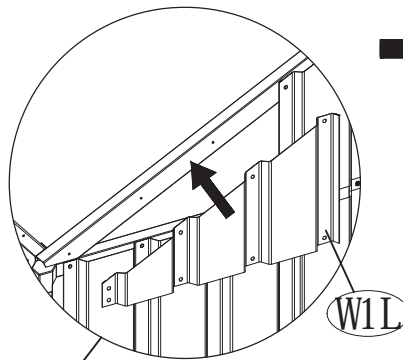
W2L/W3L/W4L



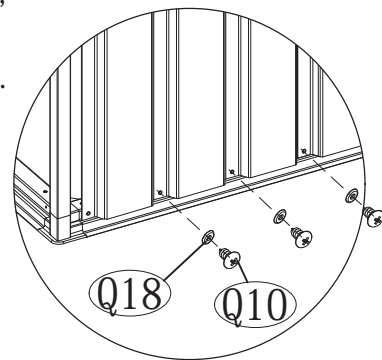
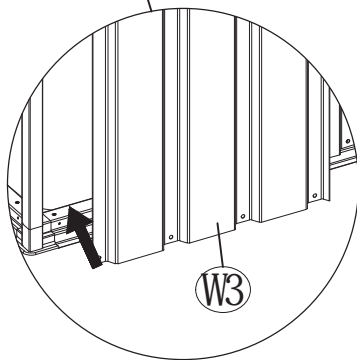
W3x3






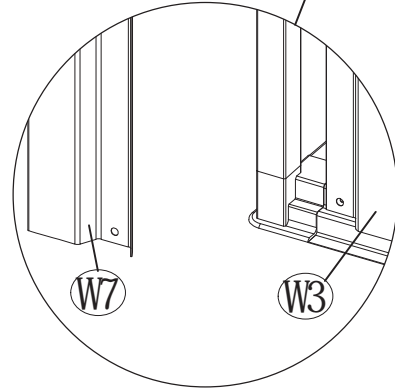
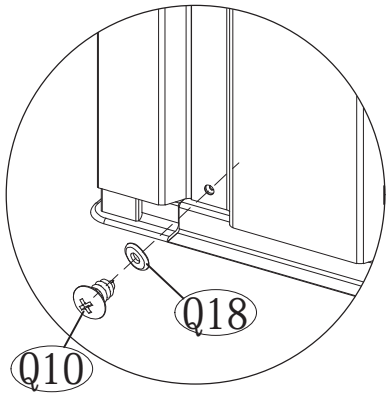
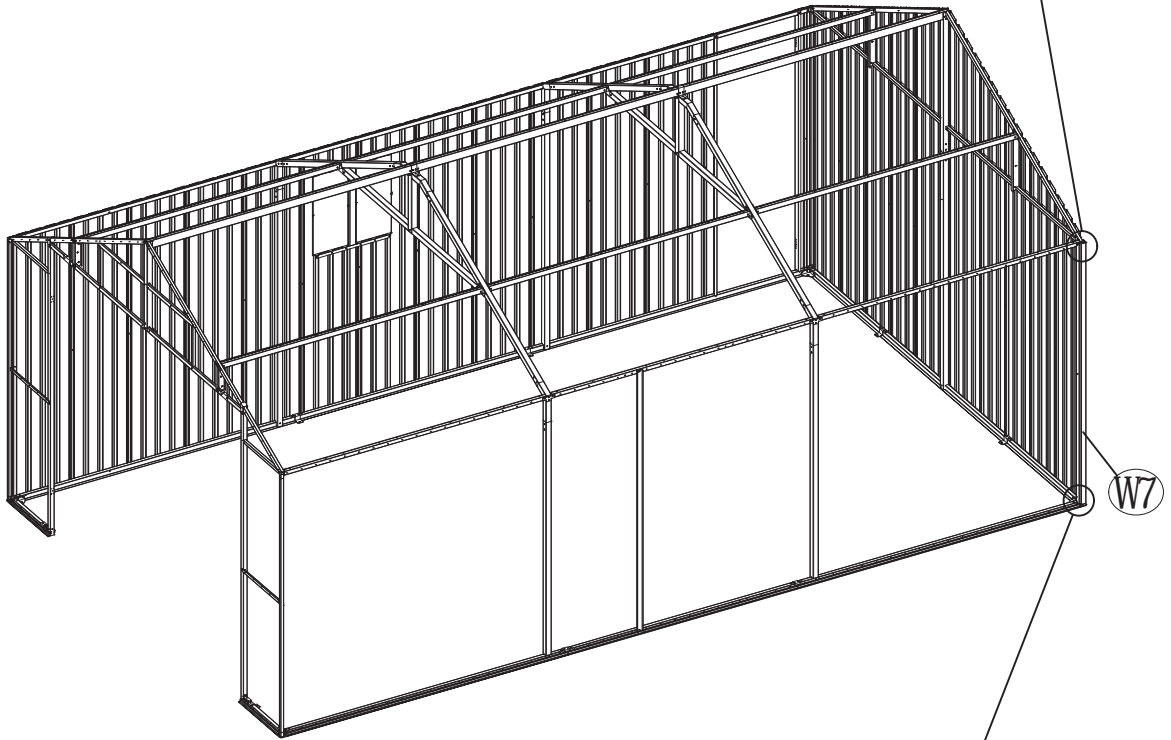
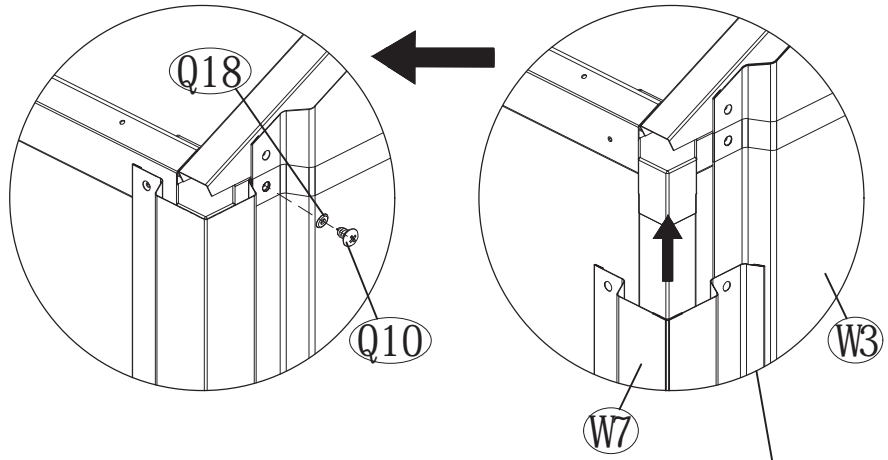
NO.	PART.	Qty.
W3	 1940mm	1
W1R	 190mm	1
Q10	 Mx1.0mm	10
Q18		10






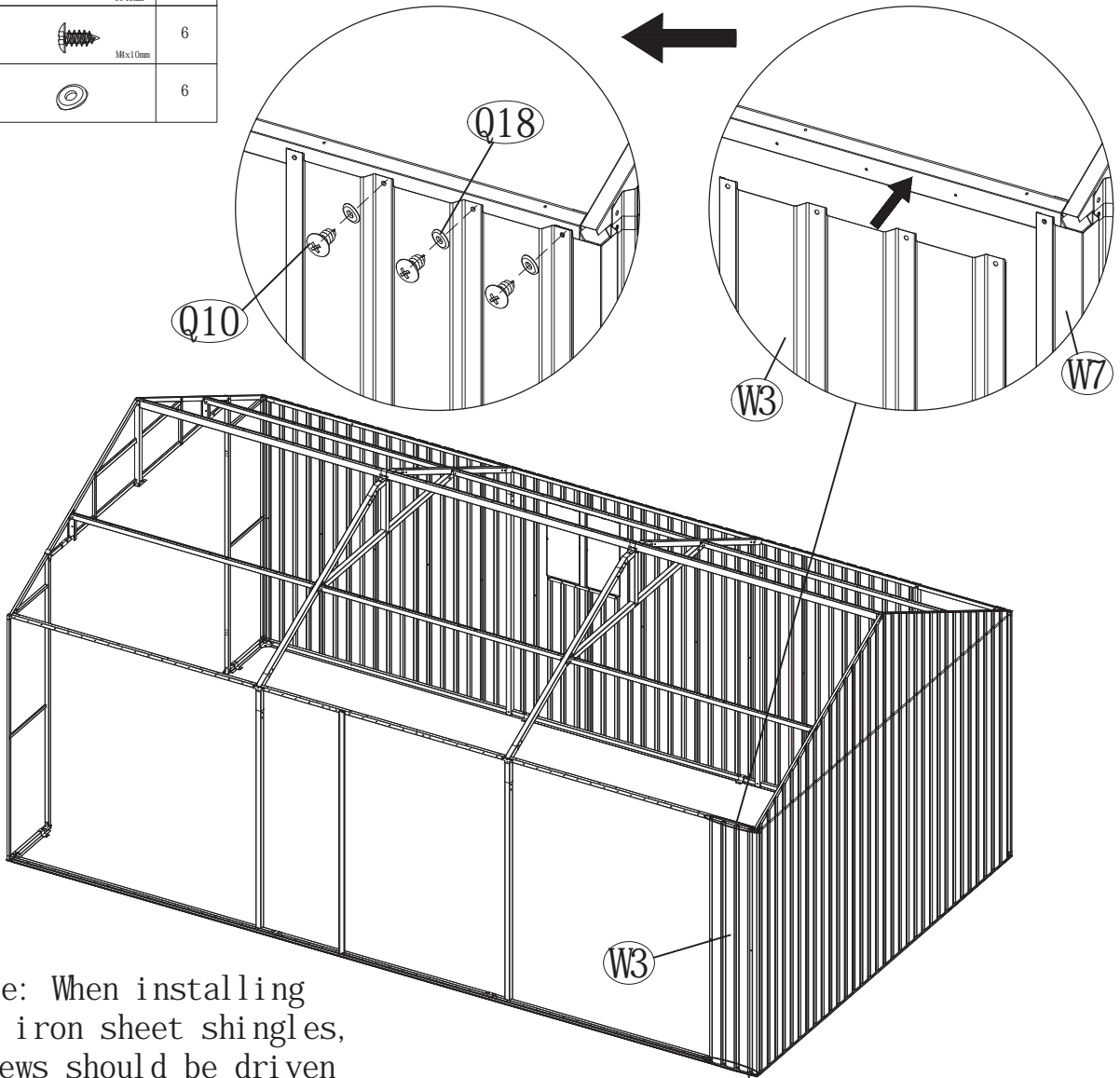
Note: When installing the iron sheet shingles, screws should be driven from the bottom upwards.



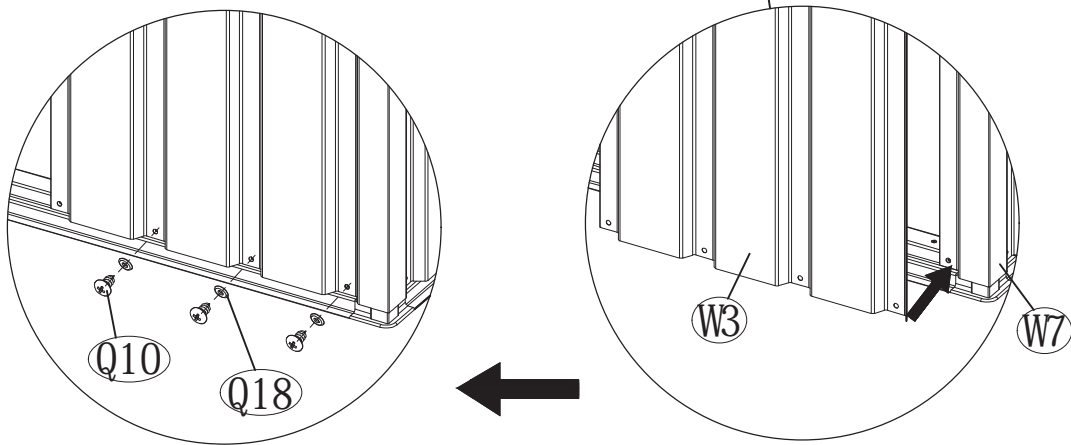
NO.	PART.	Qty.
W7	 1940mm	1
Q10	 M5x10mm	2
Q18		2






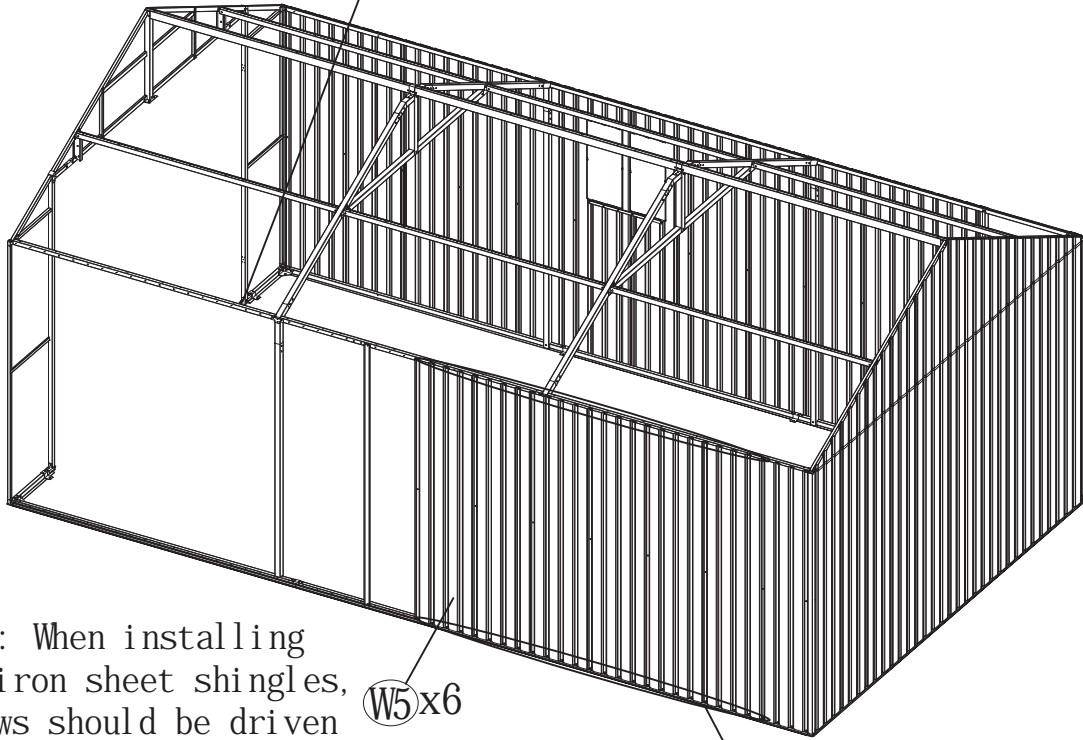
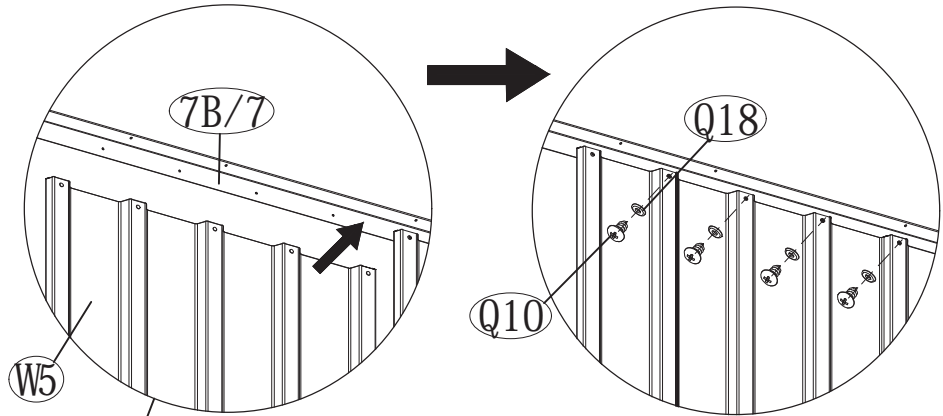
NO.	PART.	Qty.
W3	 1940mm	1
Q10	 Mx10mm	6
Q18		6



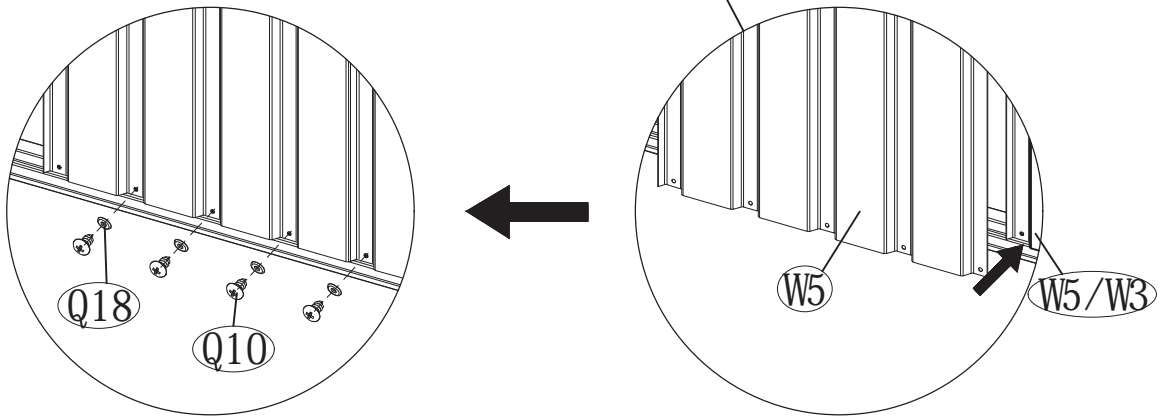
Note: When installing the iron sheet shingles, screws should be driven from the bottom upwards.







NO.	PART.	Qty.
W5	 1940mm	6
Q10	 Mx10mm	48
Q18		48

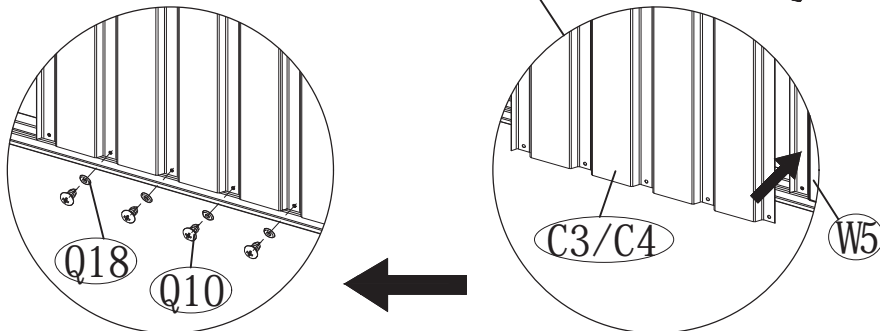
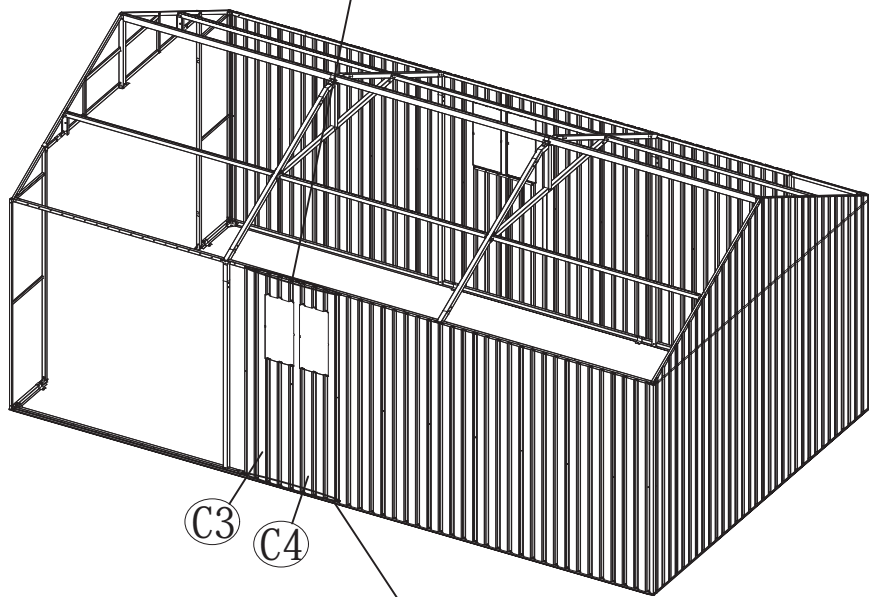
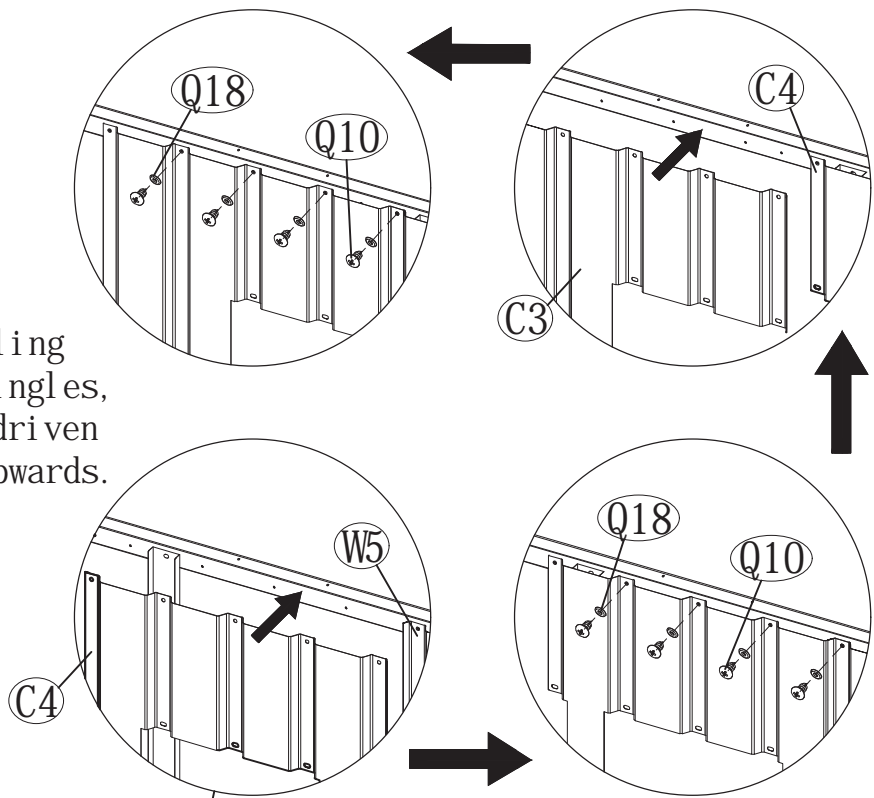





Note: When installing the iron sheet shingles, screws should be driven from the bottom upwards. W5x6

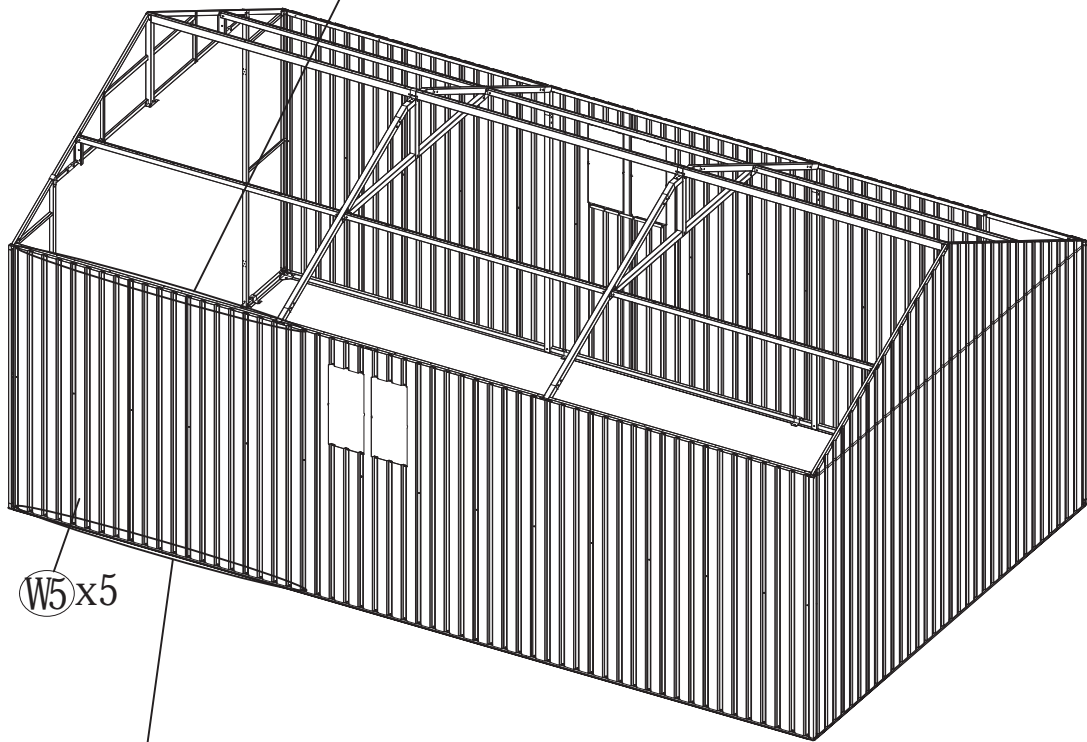
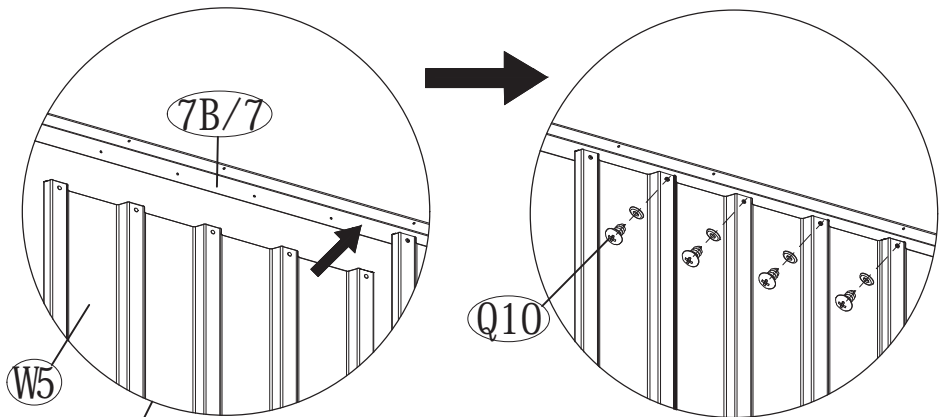


NO.	PART.	Qty.
C3	 1940mm	1
C4	 1940mm	1
Q10	 Mx10mm	16
Q18		16

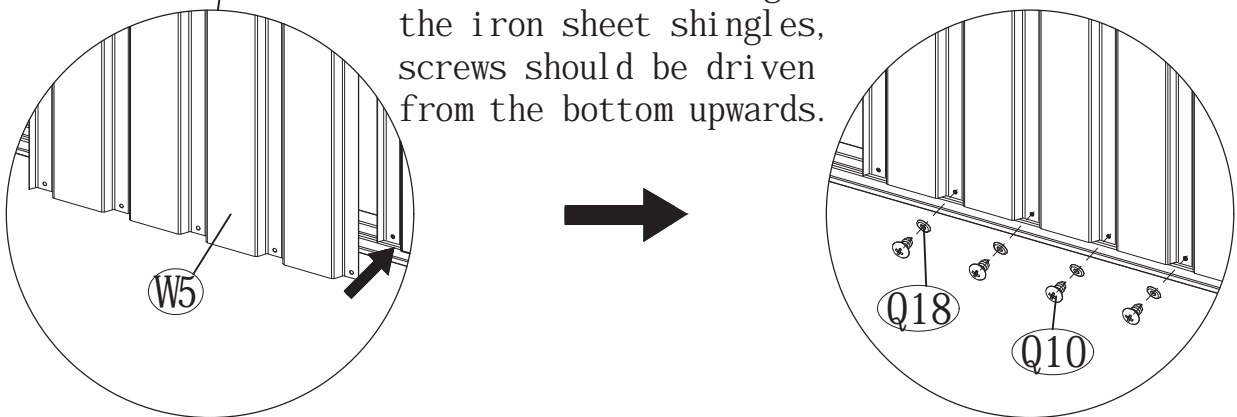
Note: When installing the iron sheet shingles, screws should be driven from the bottom upwards.

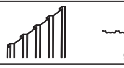






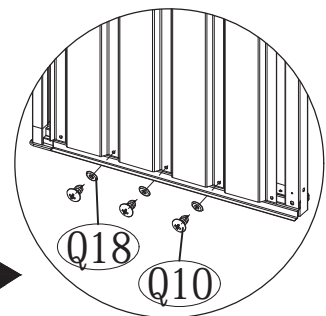
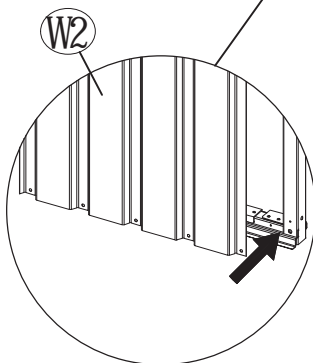
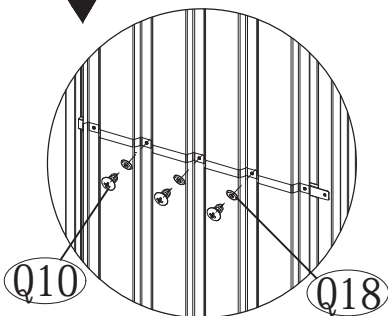
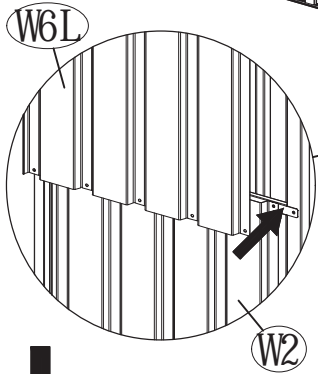
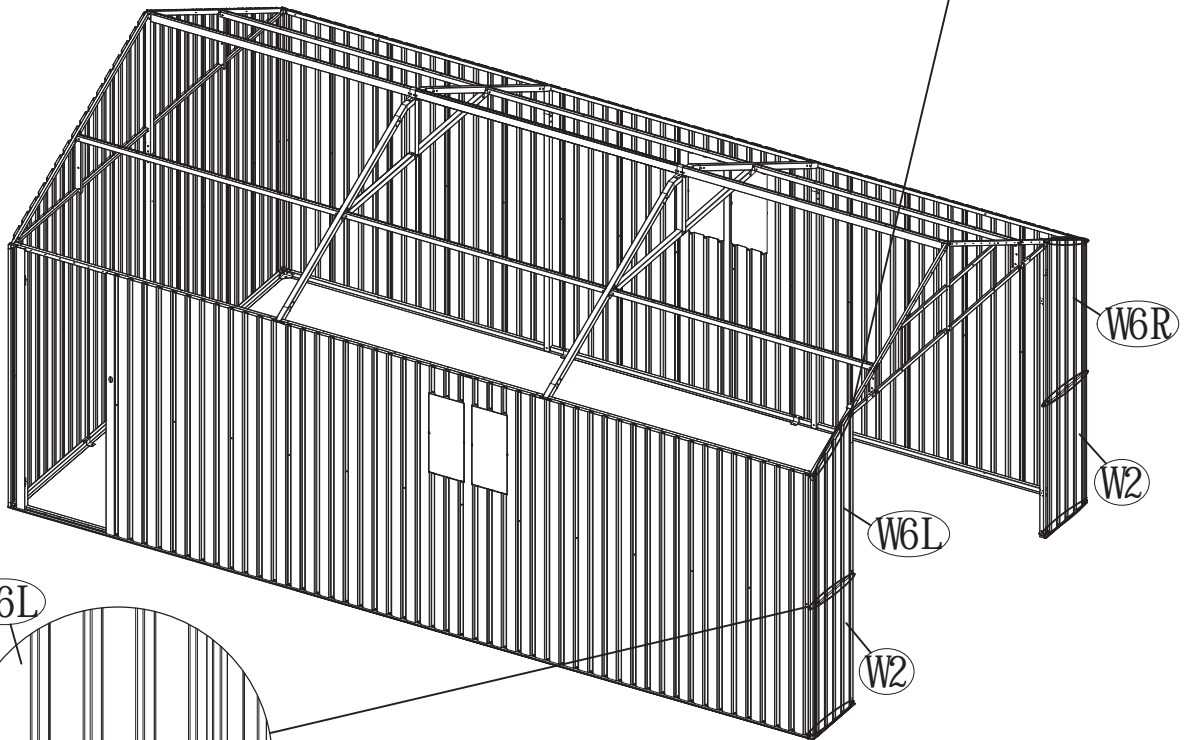
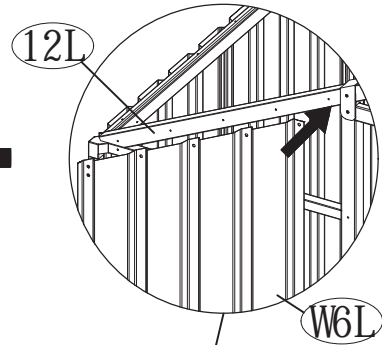
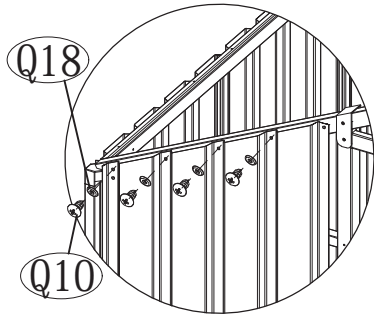
NO.	PART.	Qty.
W5	 1940mm	5
Q10	 Mx10mm	40
Q18		40







Note: When installing the iron sheet shingles, screws should be driven from the bottom upwards.

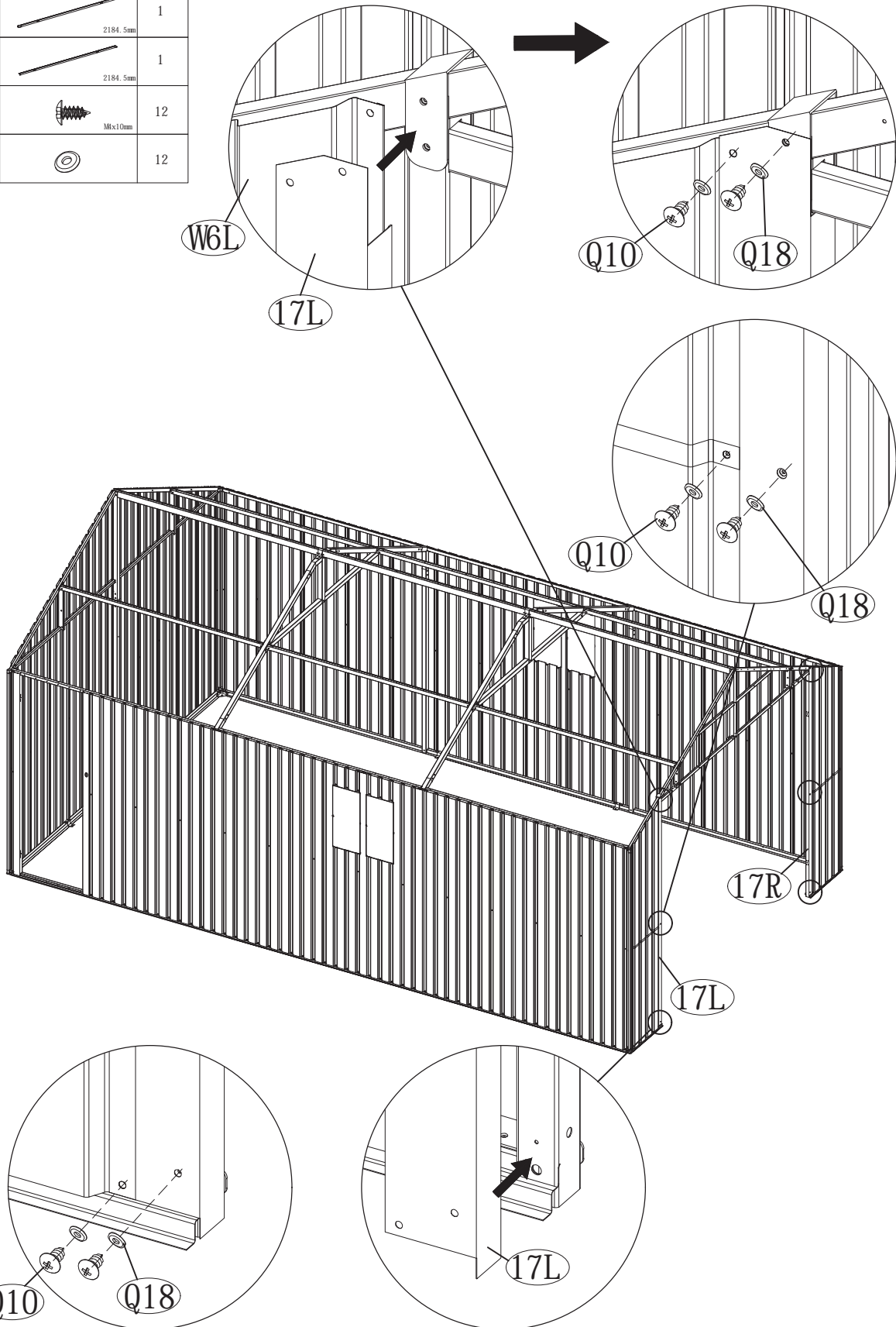





NO.	PART.	Qty.
W2	 978mm	2
W6L	 1204, 2mm	1
W6R	 1204, 2mm	1
Q10	 Mx1.0mm	20
Q18		20

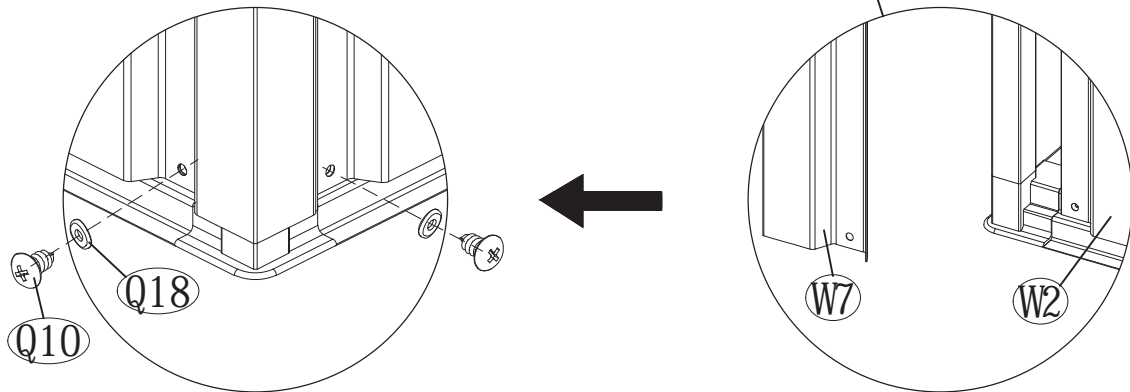
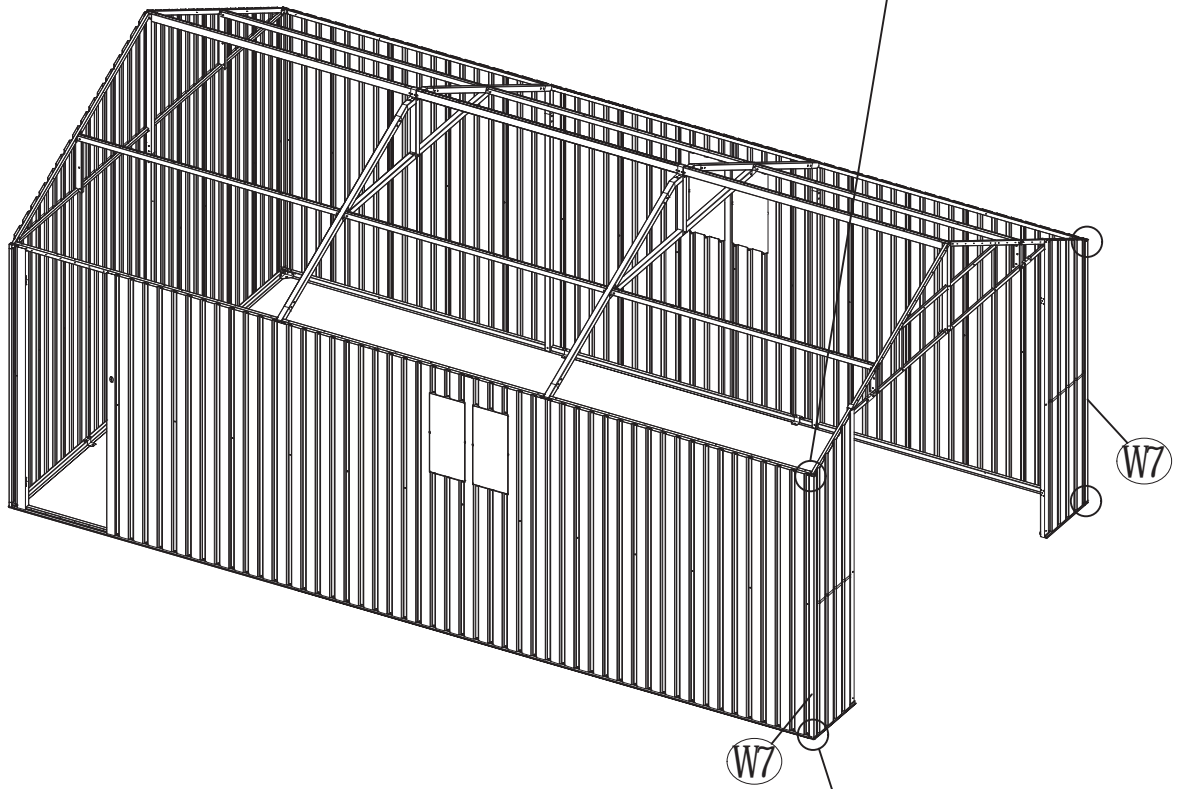
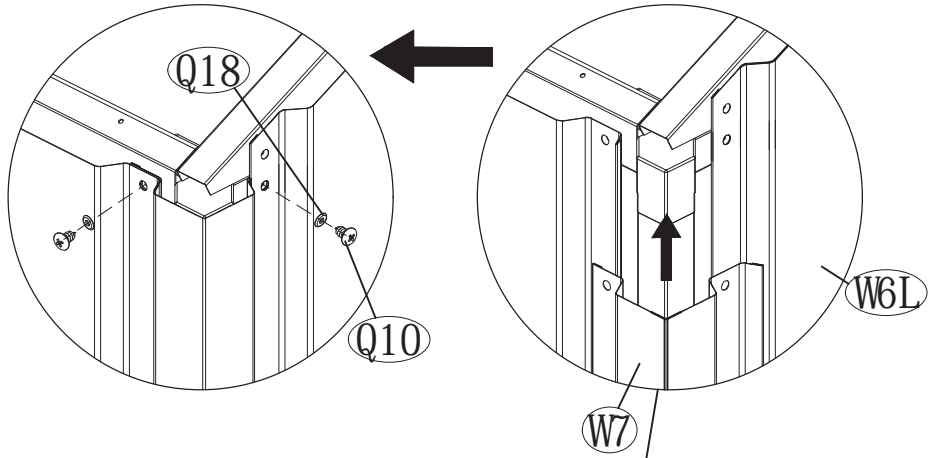






Note: When installing the iron sheet shingles, screws should be driven from the bottom upwards.

NO.	PART.	Qty.
17L	 2184.5mm	1
17R	 2184.5mm	1
Q10	 Mx10mm	12
Q18		12



NO.	PART.	Qty.
W7	 1940mm	2
Q10	 M5x10mm	8
Q18		8



NO.	PART.	Qty.
38L		1
38R		1
Q10	 Mx10mm	17
Q18		17

