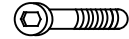
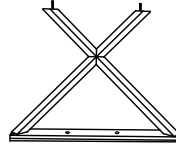
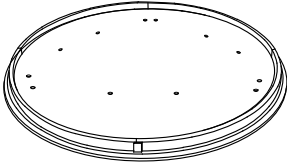


ASSEMBLY INSTRUCTION

ROUND DINING TABLE WITH 24" LAZY SUSAN

- | | | | |
|--------------------|---------------------|------------------------|-------------------------------|
| A Table Top | B Base Plate | C "X" Leg Frame | D JCBC Bolt
M6x40mm |
|--------------------|---------------------|------------------------|-------------------------------|



- | | | | |
|------------------------------------|---|---------------------------------|---|
| 1 pc
E Lock Washer
M8 | 1 pc
F Flat Washer
M8x18mm | 3 pcs
G Hex Nut
M8 | 12 pcs
H Flat Washer
M8x22mm |
|------------------------------------|---|---------------------------------|---|

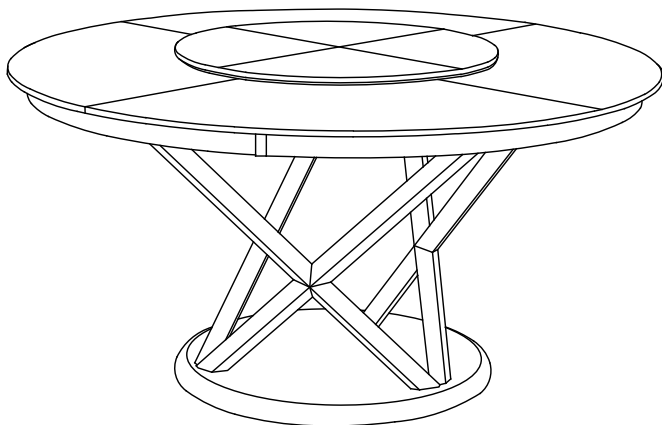


- | | | | |
|------------------------------------|-------------------------------------|-------|-------|
| 18 pcs
I Allen Key
M4 | 12 pcs
J Wrench
12.8mm | 6 pcs | 6 pcs |
|------------------------------------|-------------------------------------|-------|-------|



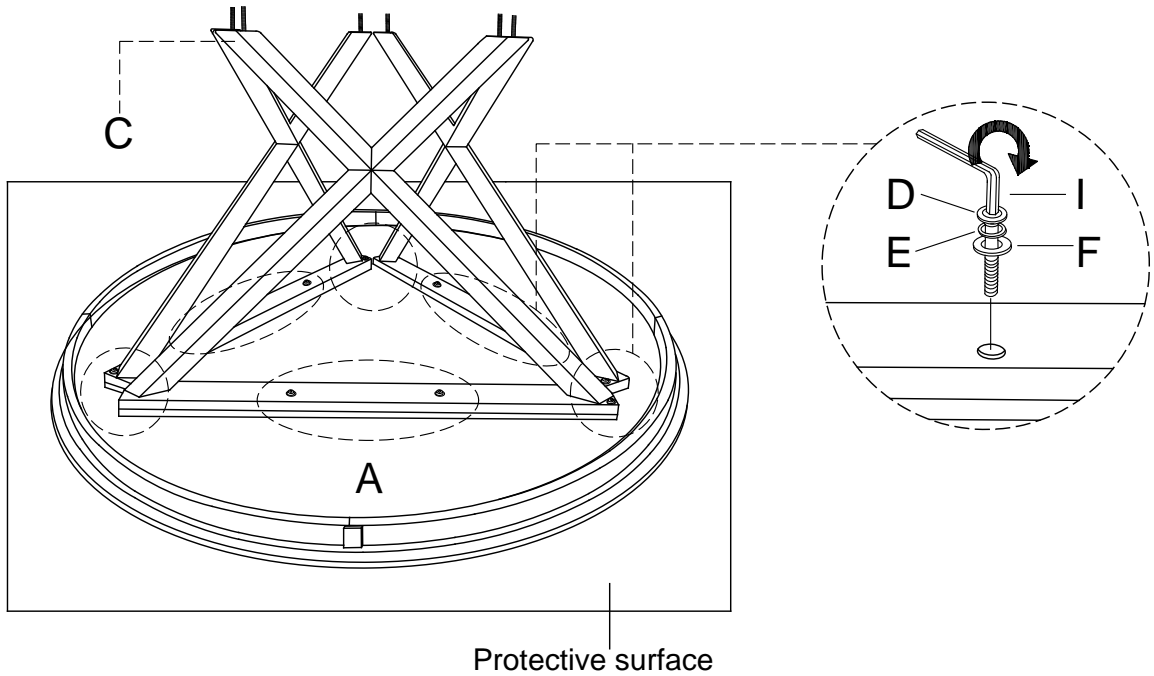
1 pc

1 pc

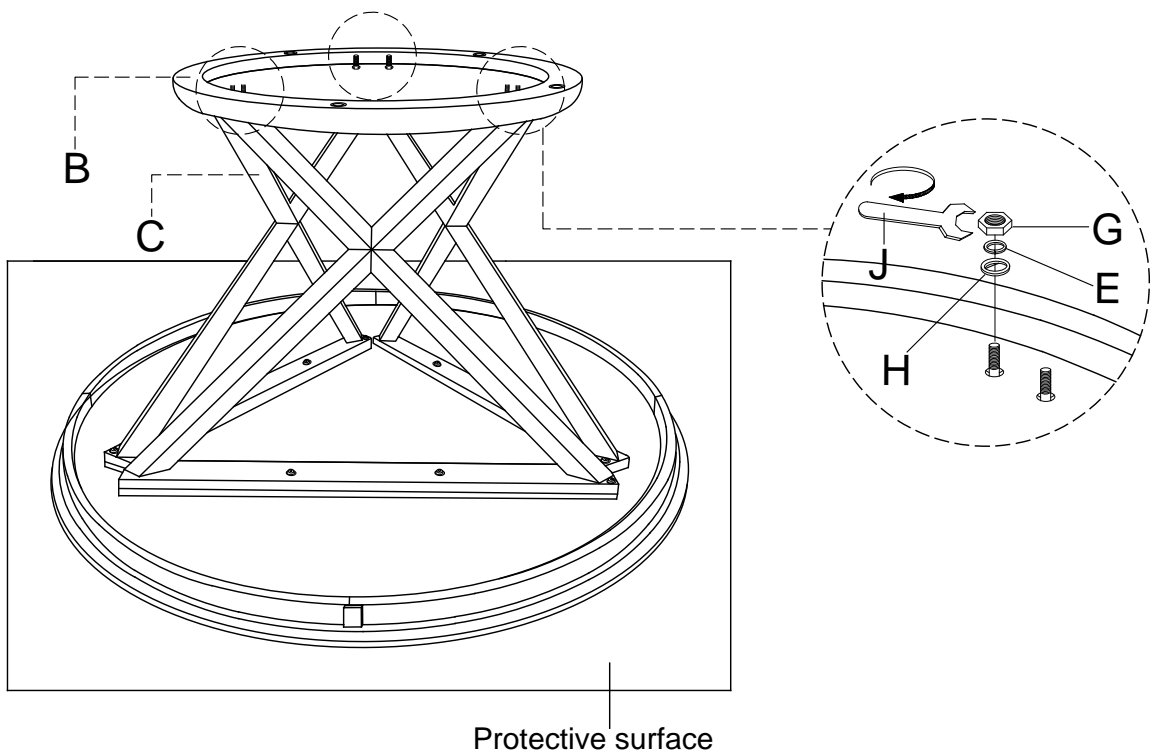


This page lists all the contents included in the box. Please take the time to identify the hardware as well as the individual components to this product. As you unpack and prepare for assembly, place the contents on a carpeted or padded area to protect them from damage.

- 1** Place the Table Top (A) on the protective surface. Tighten the Table Top (A) and "X" Leg Frame (C) by JCBC Bolt (D), Lock Washer (E), Flat Washer (F) and Allen Key (I).
**Do not fully tighten the bolt until all bolts are attached.

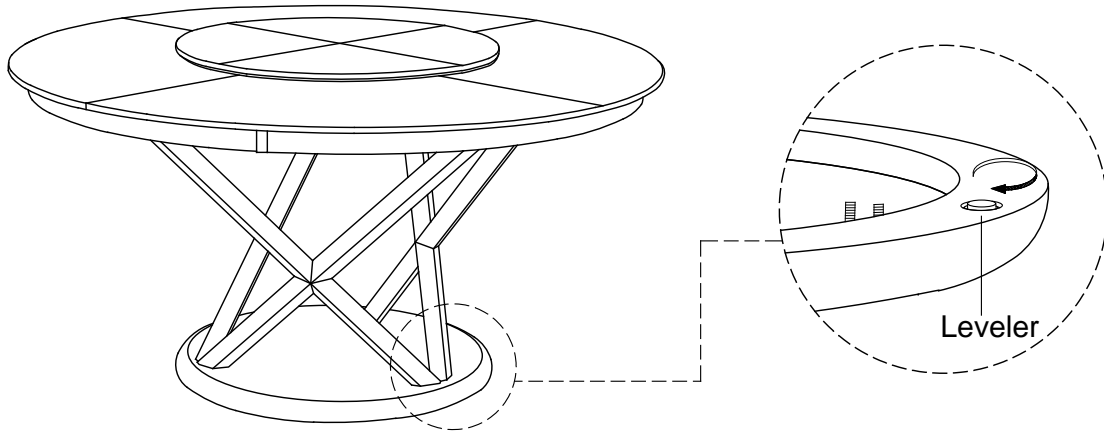


- 2** Place the Base Plate (B) on "X" Leg Frame (C). Tighten the Base Plate (B) and "X" Leg Frame (C) by Hex Nut (G), Lock Washer (E), Flat Washer (H) and Wrench (J).



3

Stand table up on an even surface and check that it is balanced. If there is a slight wobble, please adjust the leveler.



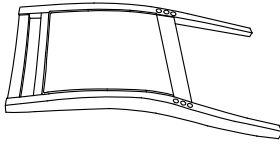
Cleaning & Care

Treat surface with care. Surface is resistant to scratches but is not scratch resistant. Clean surface with a dry or damp soft cloth. Do not use abrasive cleaners. Hardware may loosen over time. Periodically check that all connections are tight.

ASSEMBLY INSTRUCTION

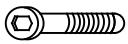
DINING CHAIR

A Back Frame



1 pc

E JCBC Bolt
M6x60mm



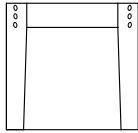
6 pcs

I Wood Screw
M5



4 pcs

B Front Leg



1 pc

F Lock Washer
M8



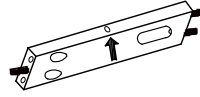
6 pcs

J Allen Key
M4



1 pc

C Side Rail



2 pcs

G Flat Washer
M8x13mm



4 pcs

D Cushion Seat

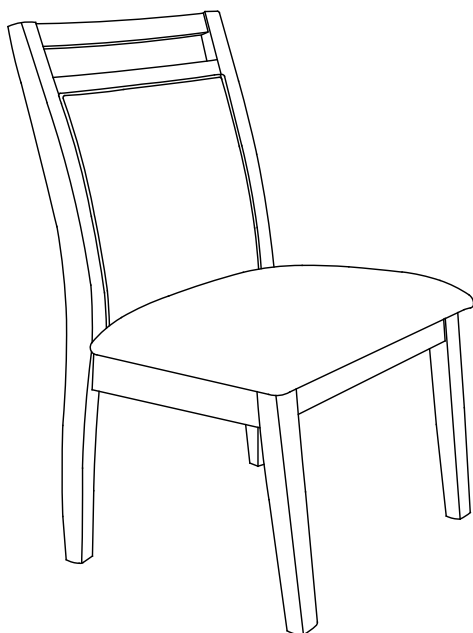


1 pc

H Flat Washer
M8x18mm



2 pcs

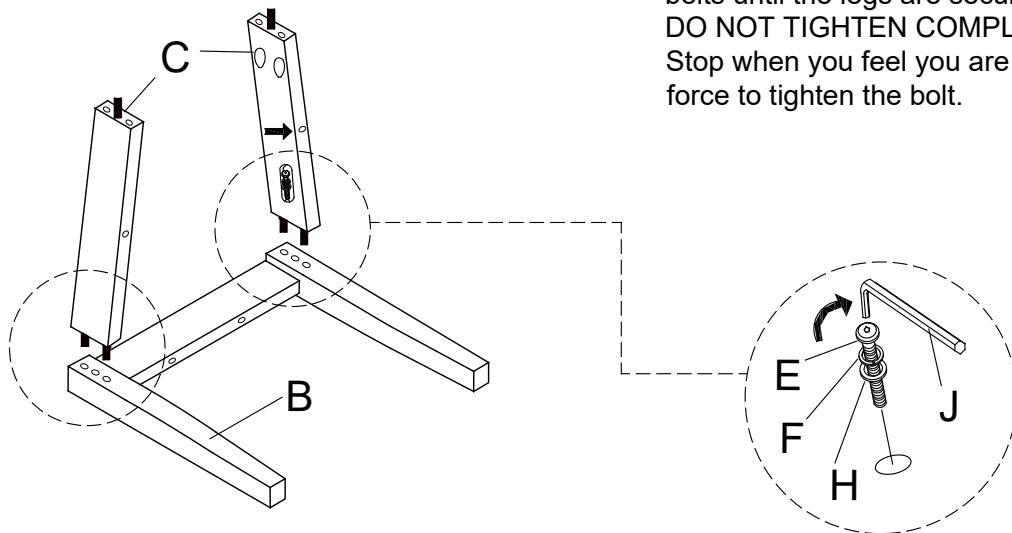


This page lists all the contents included in the box. Please take the time to identify the hardware as well as the individual components to this product. As you unpack and prepare for assembly, place the contents on a carpeted or padded area to protect them from damage.

1

Place the Front Leg (B) on the protective surface. Tighten the Front Leg (B) and Side Rail (C) by JCBC Bolt (E), Lock Washer (F), Flat Washer (H) and Allen Key (J).

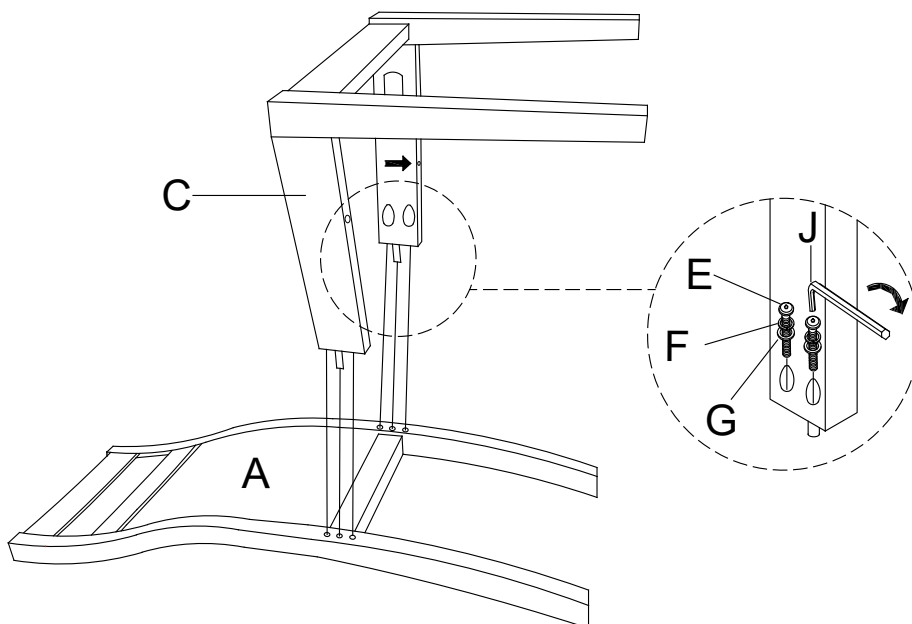
**Do not fully tighten the bolt until all bolts are attached.



Take the Allen Key, and turn the bolts until the legs are secured. **DO NOT TIGHTEN COMPLETELY.** Stop when you feel you are adding force to tighten the bolt.

2

Place the Side Rail (C) on the Back Frame (A). Tighten the Side Rail (C) and the Back Frame (A) by JCBC Bolt (E), Lock Washer (F), Flat Washer (G) and Allen Key (J).



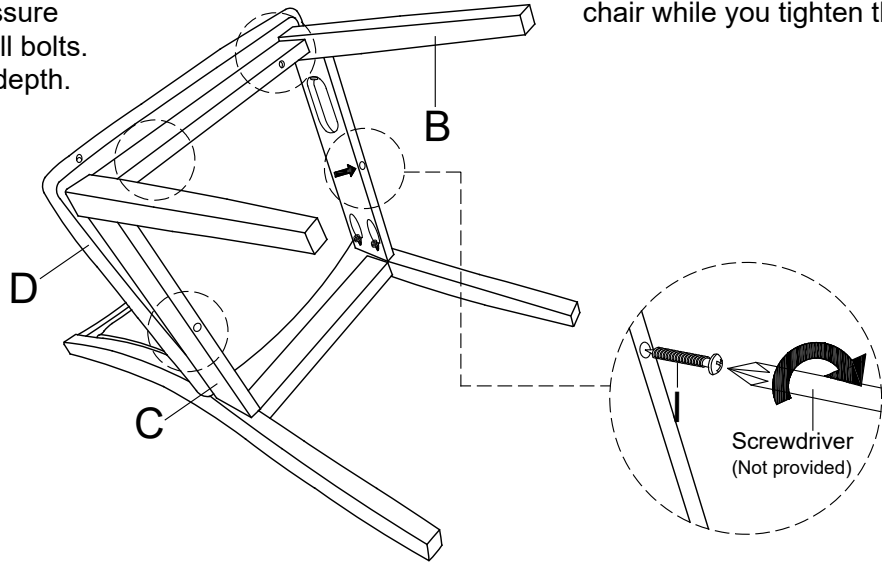
3

Place the Cushion Seat (D) on the Front Leg (B) and the Side Rail (C). Tighten the Cushion Seat (D), the Front Leg (B) and the Side Rail (C) by Wood Screw (I) and Screwdriver (not provided).

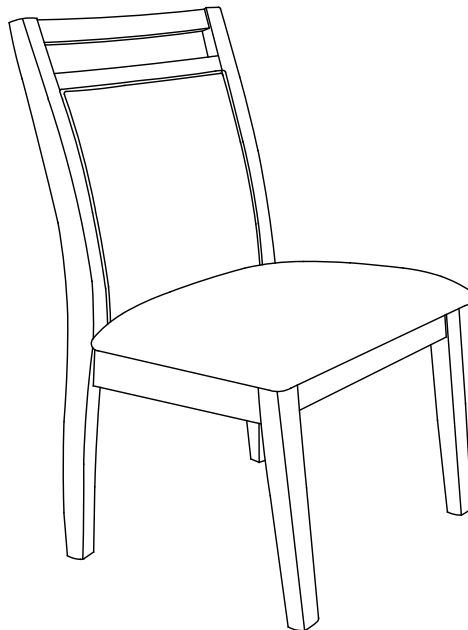
Stand chair up on an even surface and check that it is balanced. If there is a slight wobble, apply downward pressure in the corner where a leg is uneven. Keeping pressure in that corner, tighten all bolts. If balanced, apply downward pressure evenly in the center and tighten all bolts. Do not over-tighten beyond hole depth.

Helpful Tip:

-Instead of applying downward pressure while reaching under to tighten bolts, have someone sit in the chair while you tighten the bolts.

**4**

Stand chair up on an even surface and check that it is balanced.



Cleaning & Care

Treat surfaces with care. Surfaces are resistant to scratches but are not scratch resistant. Clean surface with a dry or damp soft cloth. Do not use abrasive cleaners. Hardware may loosen over time. Periodically check that all connections are tight.