

Product instruction manual

multifunctional bed assist device

1. Tips



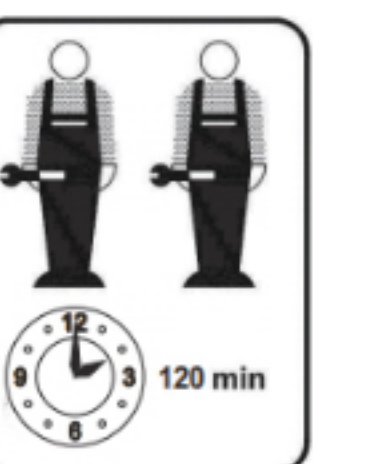
1.1 This product will be shipped in 2 packages. They may not arrive at the same time. Please wait.

1.2 Thank you for your purchase! We are committed to providing you with high quality products. In the unlikely event that your product is damaged, missing parts or has problems with assembly, please contact our customer service team. We will offer you the best solution as soon as possible. In order to solve your problem quickly, please provide us with some pictures that clearly show the product problem. Thanks !

1.3 Please keep all small parts out of the reach of children when assembling. May be fatal if swallowed or inhaled. Children should not climb or play on the product to avoid serious injury from furniture tipping over. To avoid possible injury from movement, keep all parts and packaging (film, plastic bags, foam, etc.) away from infants and children.

1.4 Please match the corresponding parts and accessories to the part numbers in the manual. If parts and accessories do not match, check the information in this manual. When assembling, first align all screws loosely with the corresponding pre-drilled holes and then tighten the screws one by one. During product use, periodically check the tightness of screws and tighten as necessary to ensure structural integrity. Please keep sharp and corrosive objects away from the product to avoid damage or injury.

1.5 It is recommended to install it with two people.



2. Product overview

2.1 Composition of product structure

The multifunctional bed assist device consists of a bed frame, foot bars, armrests, a motor with its driving system, and a handheld electric controller.

2.2 Product model and specification: KYG-D-Z03.

2.3 Product functions

- 1) Assist with back lifting and lowering
- 2) Lower the legs to form a chair
- 3) Assist the user in getting out of bed

3. Product performance parameters

3.1 Dimension parameter table

Project	Size (in)
Bed length	72.83
Bed width	36.42
Bed height	33.52
Bed surface height	15.79

3.2 Electrical parameters

- 1) Input voltage: AC 100V~240V ; Operating voltage: DC 35V ;
- 2) Frequency: 50/ 60Hz ;

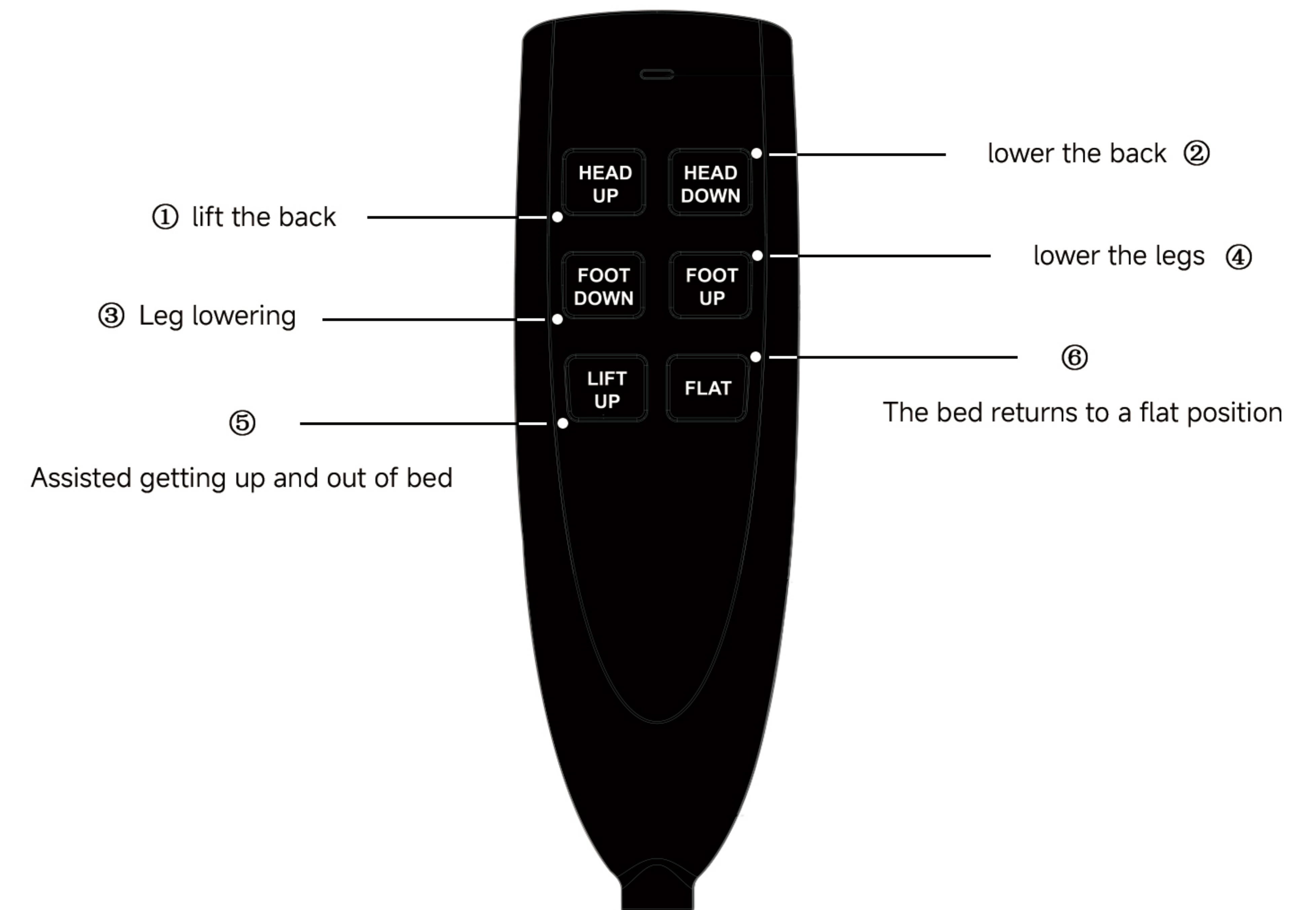
3.3 Performance parameters

- 3.3.1 Folding angle of electric bed backboard: 0°~ 75° (±5°) .
- 3.3.2 Folding angle of the bed's leg section: 0°~ 85° (±5°) .
- 3.3.3 The lifting assist angle of the bed frame: 0°~ 35° (±5°) .

4. Product operating conditions

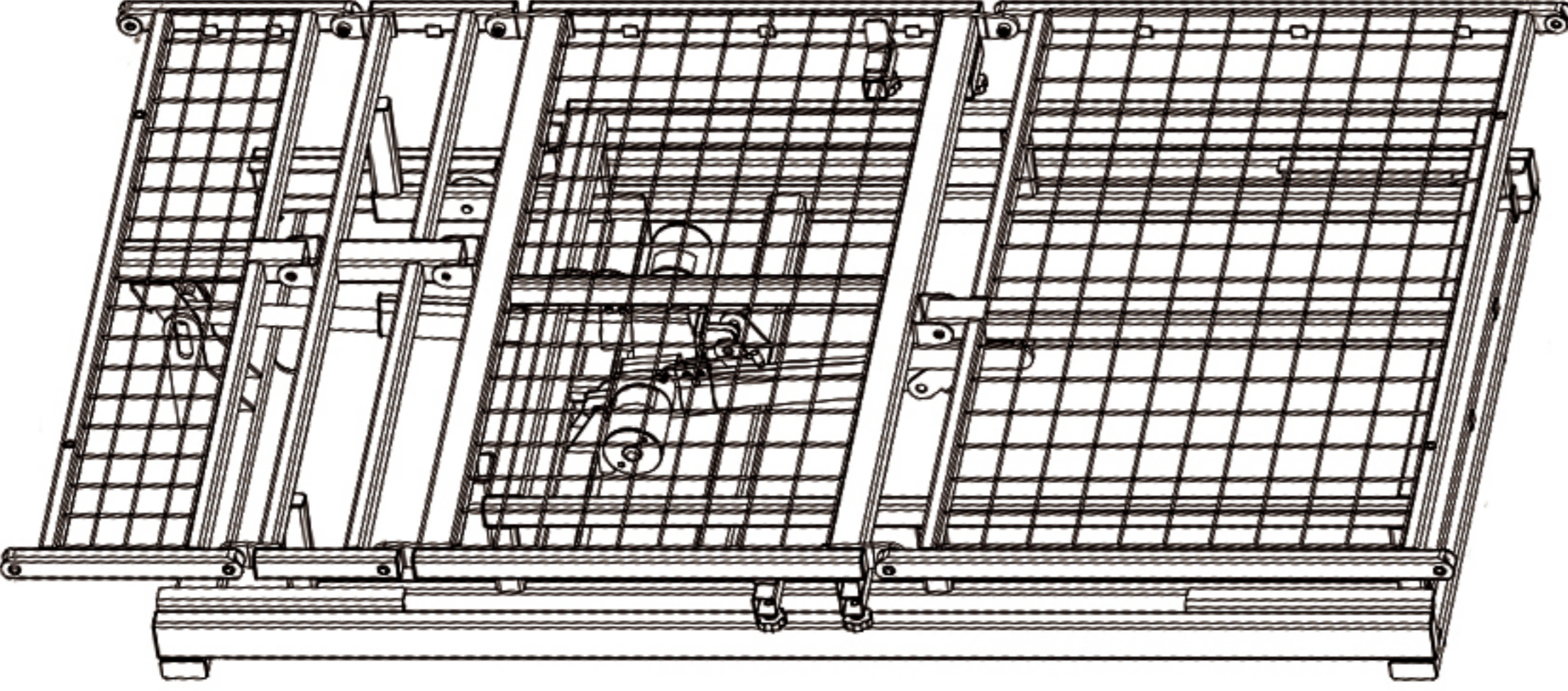
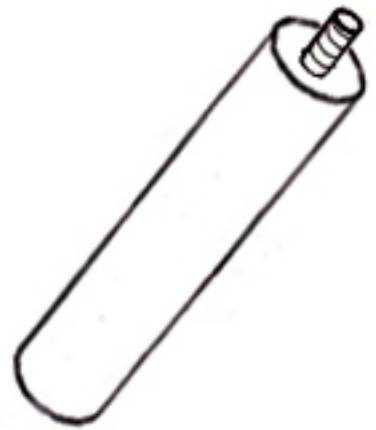
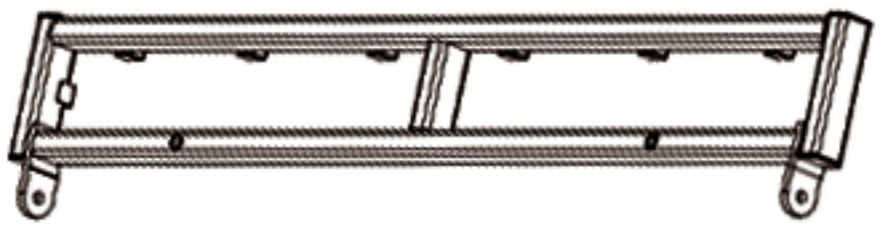




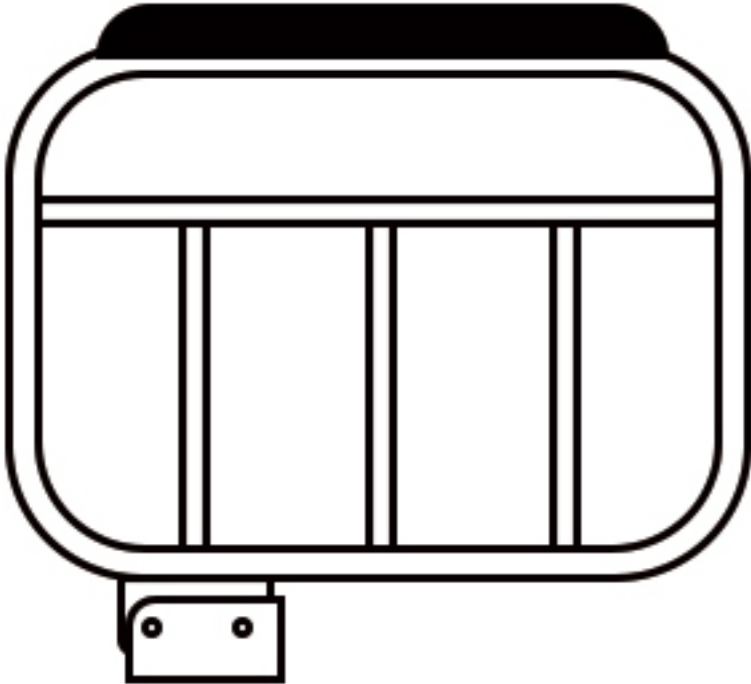
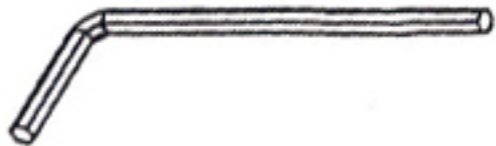
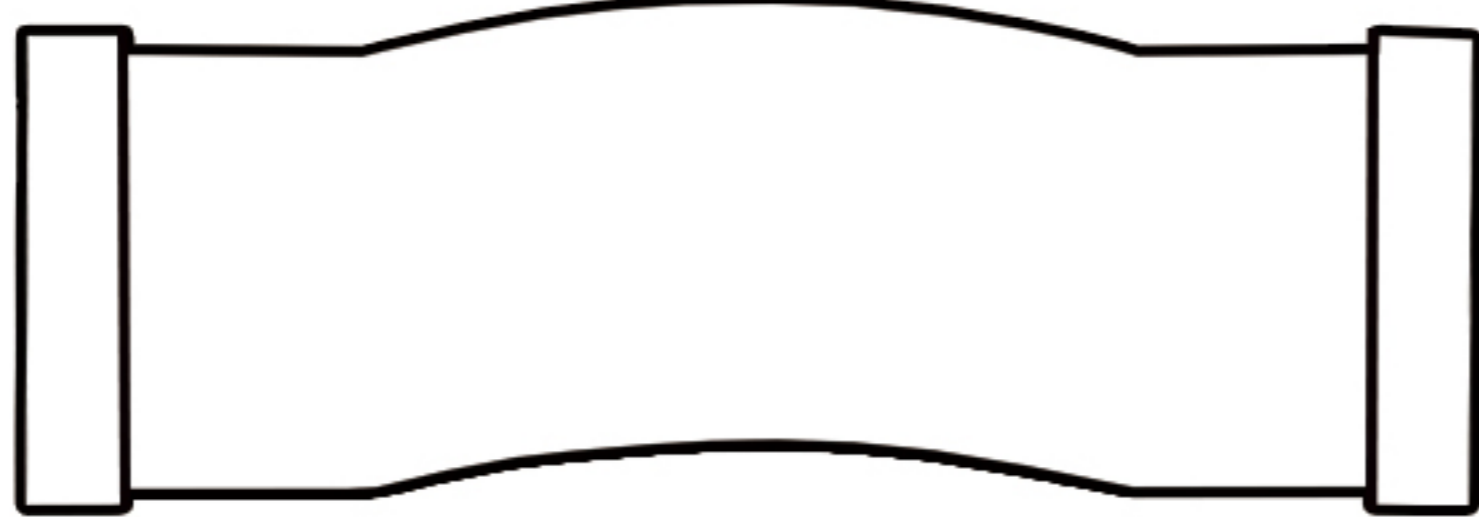
- 1) Ambient temperature: +5°C~+40°C;
- 2) Relative humidity: <90%;
- 3) Atmospheric pressure: 860hPa~1060hPa

5. Instructions for using the remote control

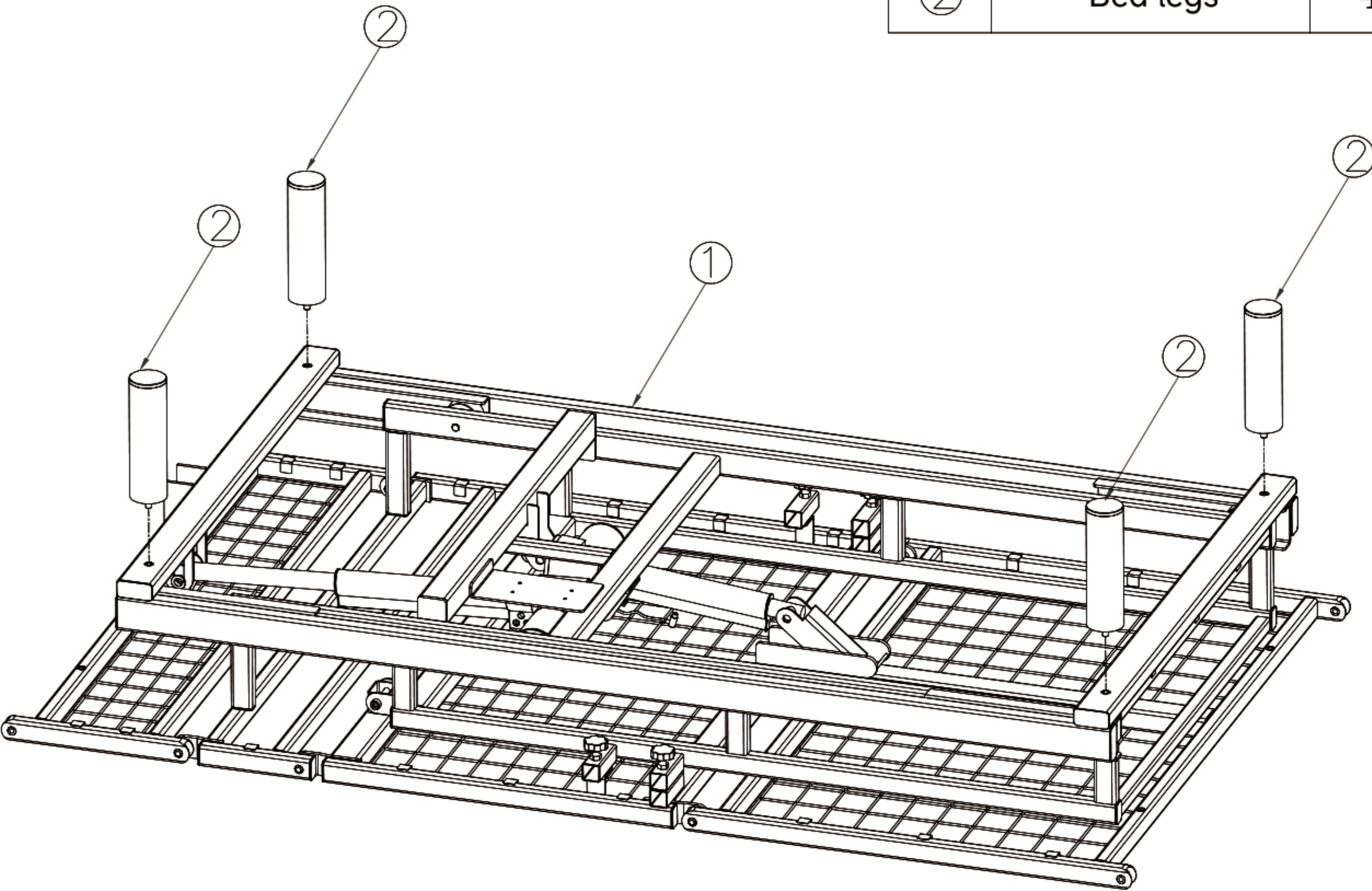
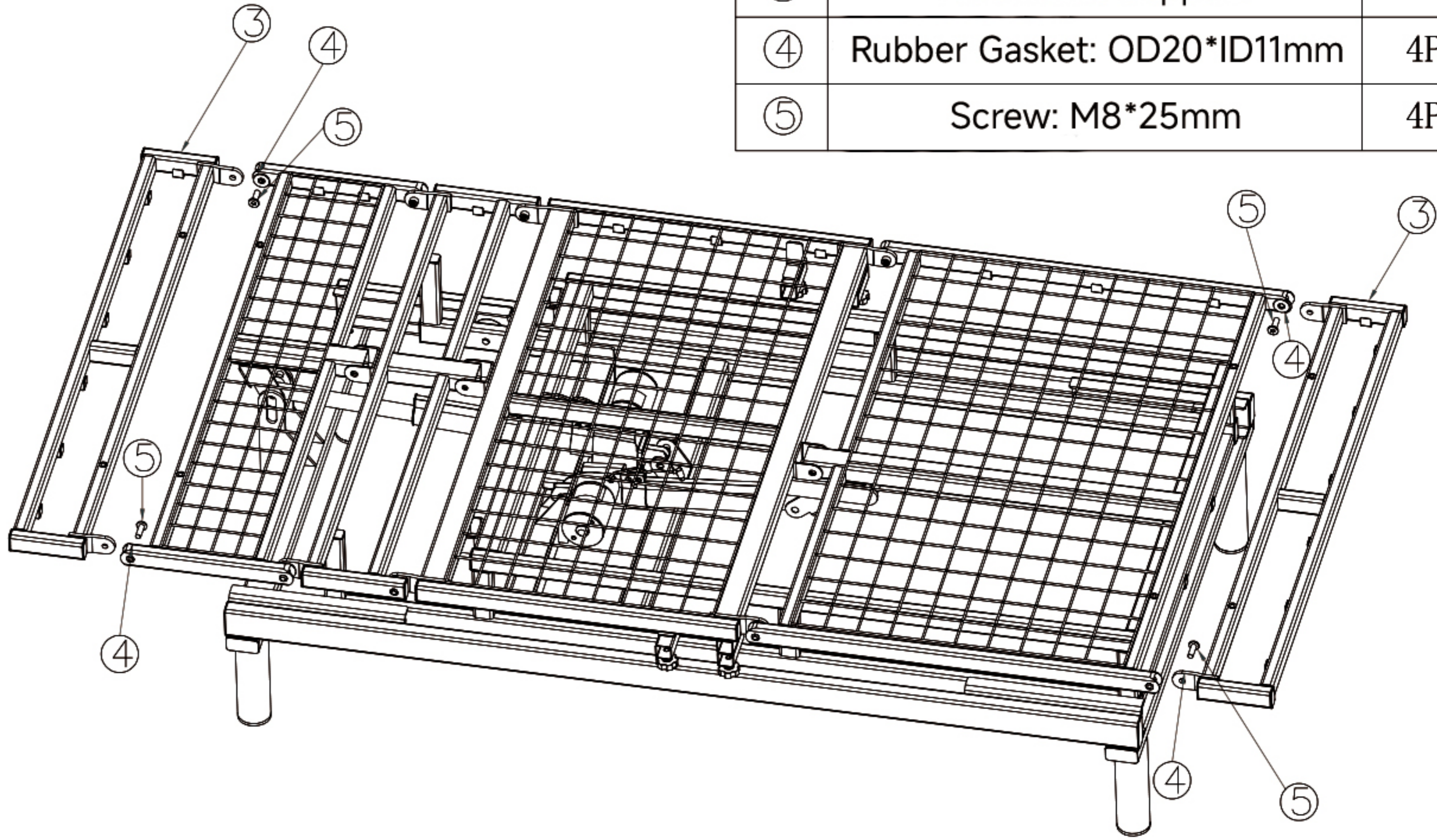


- ① Press and hold the button to raise the back, relieving back pressure.
back lifting angle: 0-75°(±5°).
- ② Press and hold the button to lay the back flat.
- ③ Press and hold the button to lower the legs.falling leg angle: 0-85°(±5°).
- ④ Press and hold the button to lower the legs.
- ⑤ Press and hold the button to adjust the bed's position and assist in getting up.
- ⑥ Press and hold the button to lay the bed flat.

6. List of accessories

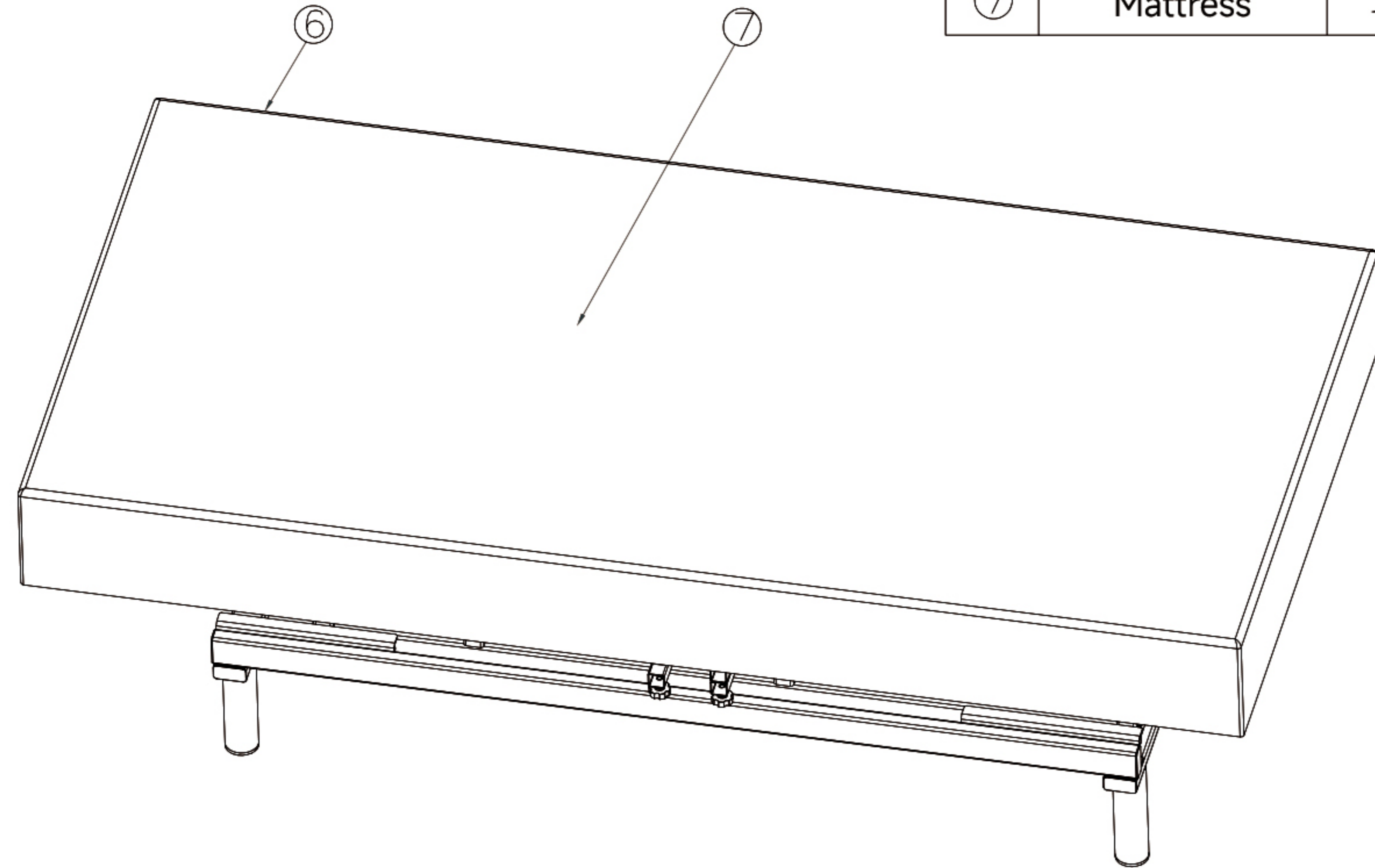
① x 1			
			
② x 4	③ x 2	④ x 4	⑤ x 4
		 Rubber Gasket: OD20*ID11mm	 Screw: M8*25mm
⑥ x 1		⑦ x 1	
 Mattress		 Bedspread	
⑧ x 1 / ⑨ x 1	⑩ x 1	⑪ x 1	
	 Tool		

7. Installation steps (A)

	①	Bed frame	1PCS
	②	Bed legs	4PCS
	③	Bed frame support	2PCS
	④	Rubber Gasket: OD20*ID11mm	4PCS
	⑤	Screw: M8*25mm	4PCS

7.1 Installation steps (B)

⑥	Bedsread	1PCS
⑦	Mattress	1PCS



⑧	Armrest (left)	1PCS
⑨	Armrest (right)	1PCS
⑩	Bed tray	1PCS

