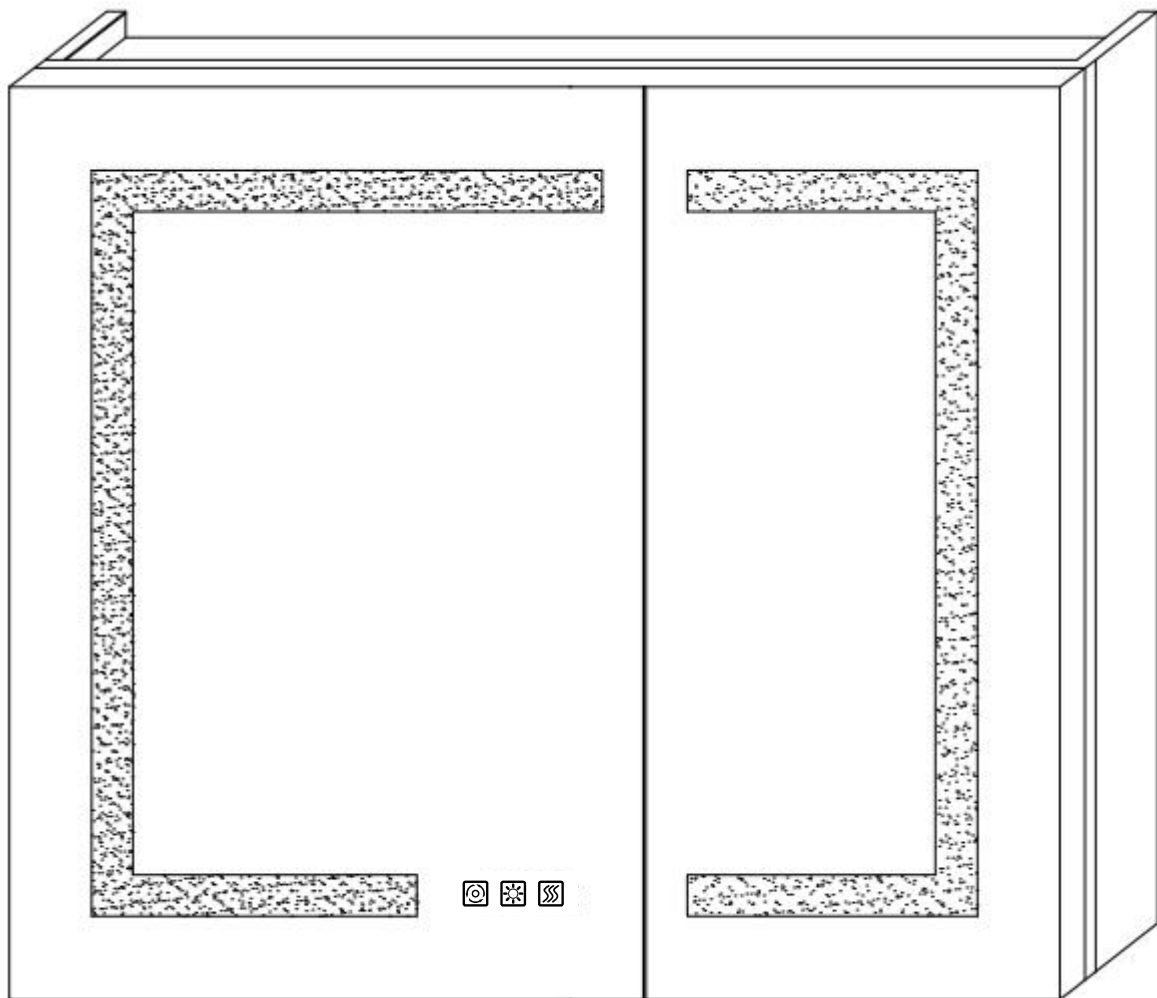


---

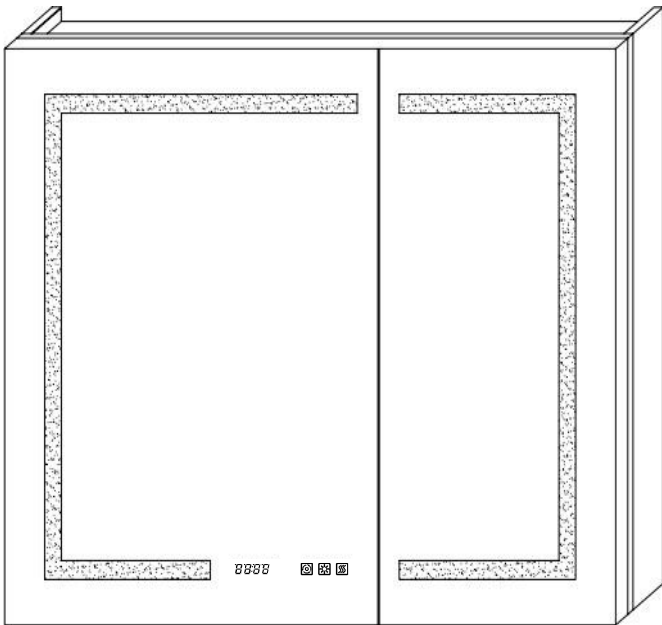
# Installation and Operating Manual

## Series 1: LED Cabinet without Clock

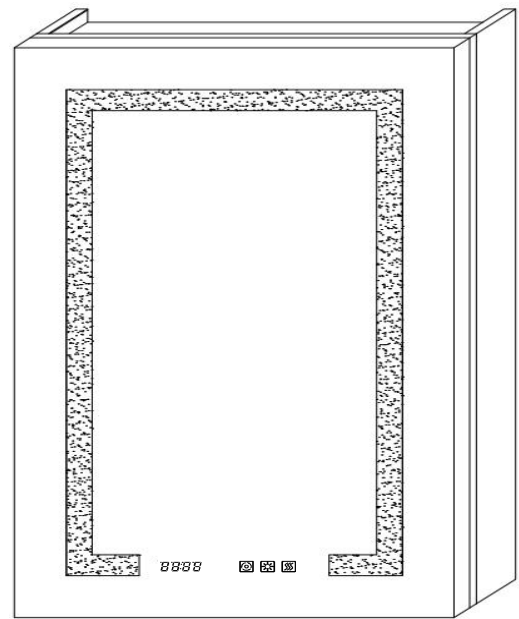


# Installation and Operating Manual

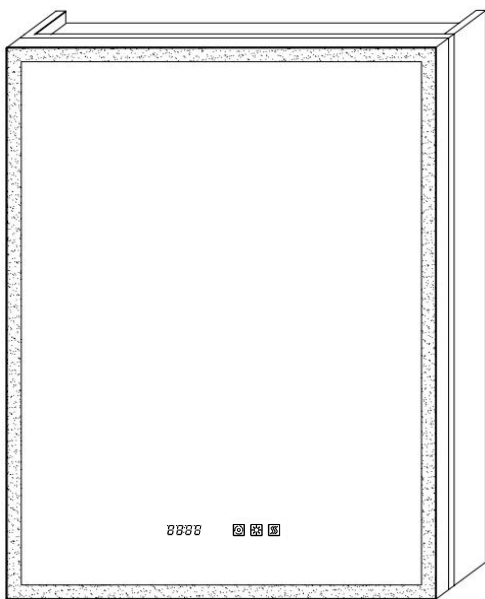
## Series 2: LED Cabinet with Clock



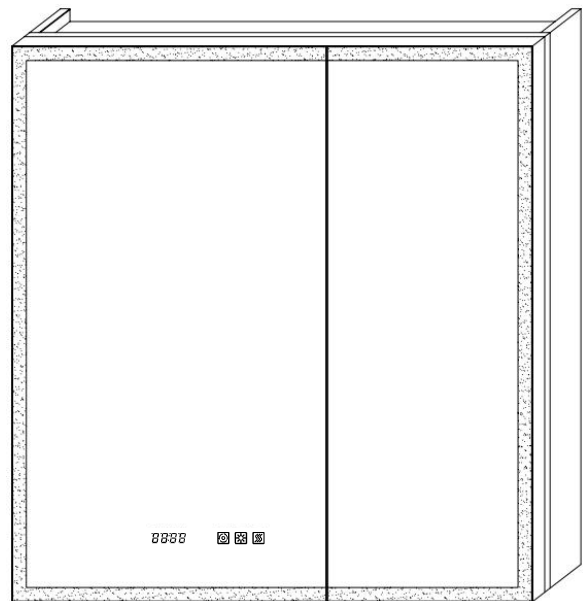
DHJSMC3630V3DKXXX W36" x H30"



DHMC2032V4RX / DHMC2032V4LX  
W20" x H32"



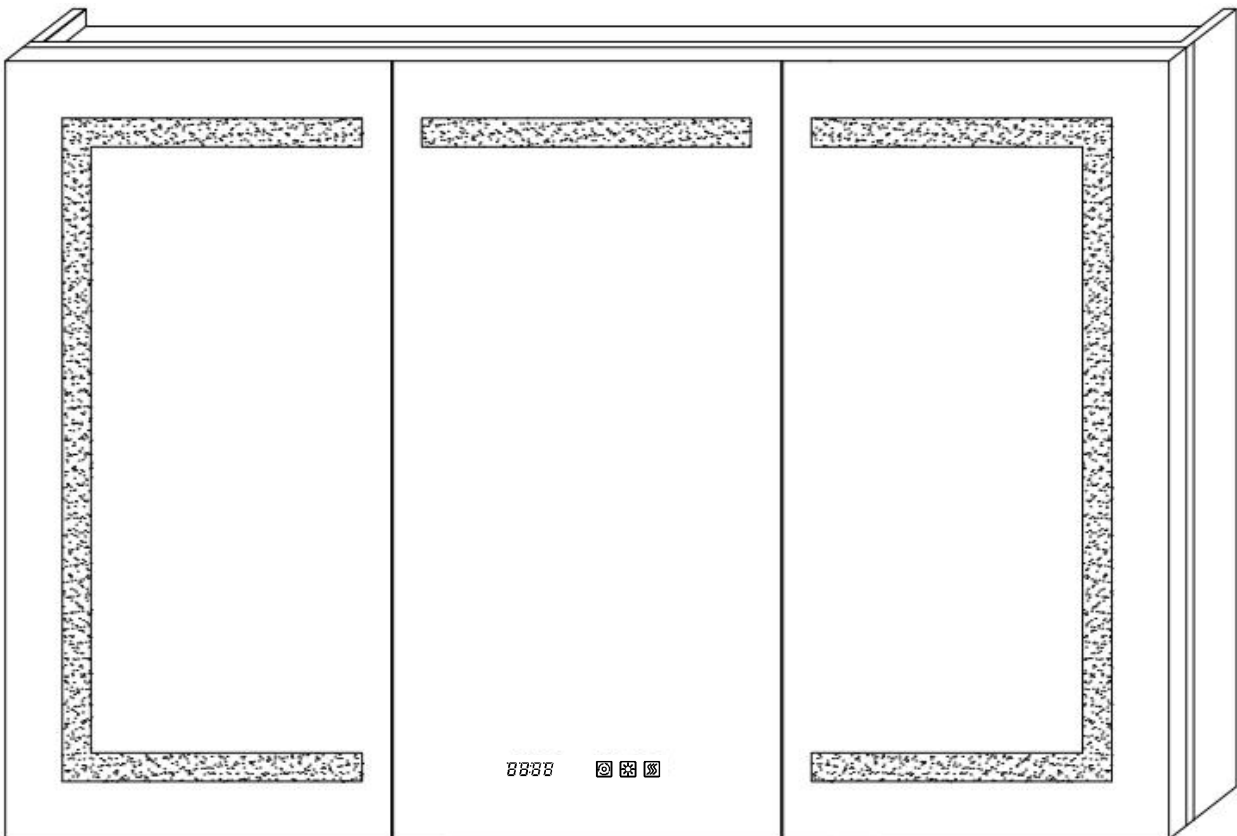
DHMC2432V6RX W24" x H32"  
DHMC2432V6LX W24" x H32"



DHMC3032V6TX W30" x H32"

# Installation and Operating Manual

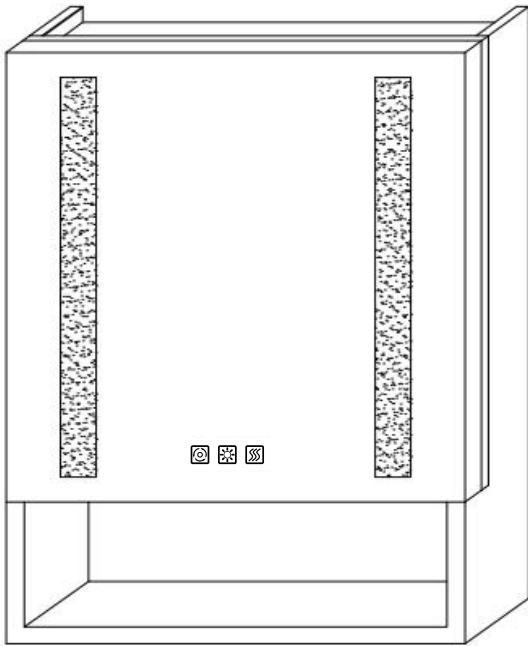
## Series 2: LED Cabinet with Clock



DHMC4832V4TX W48" x H32"

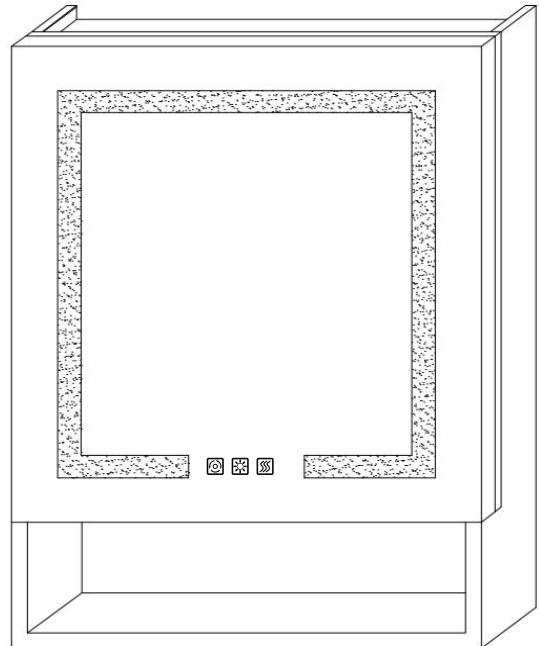
## Installation and Operating Manual

### Series 3: LED Cabinet with external storage shelf and Night light

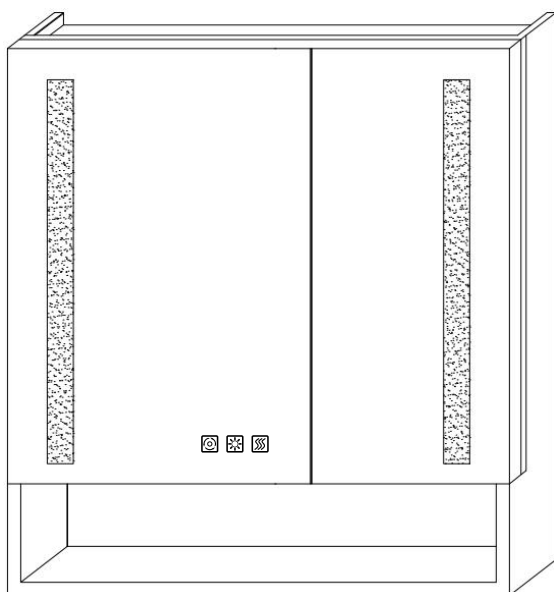


DHMC2028V5RX / DHMC2028V5LX  
W20" x H28"

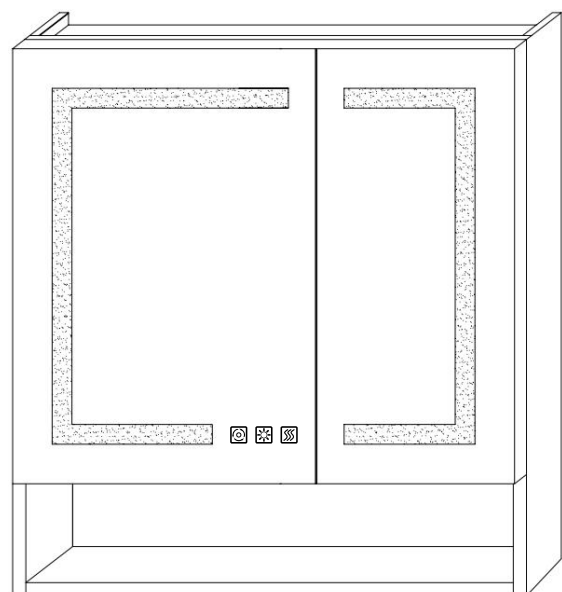
DHMC2432V5RX / DHMC2432V5LX  
W24" x H32"



DHMC2432V5RY / DHMC2432V5LY  
W24" x H32"



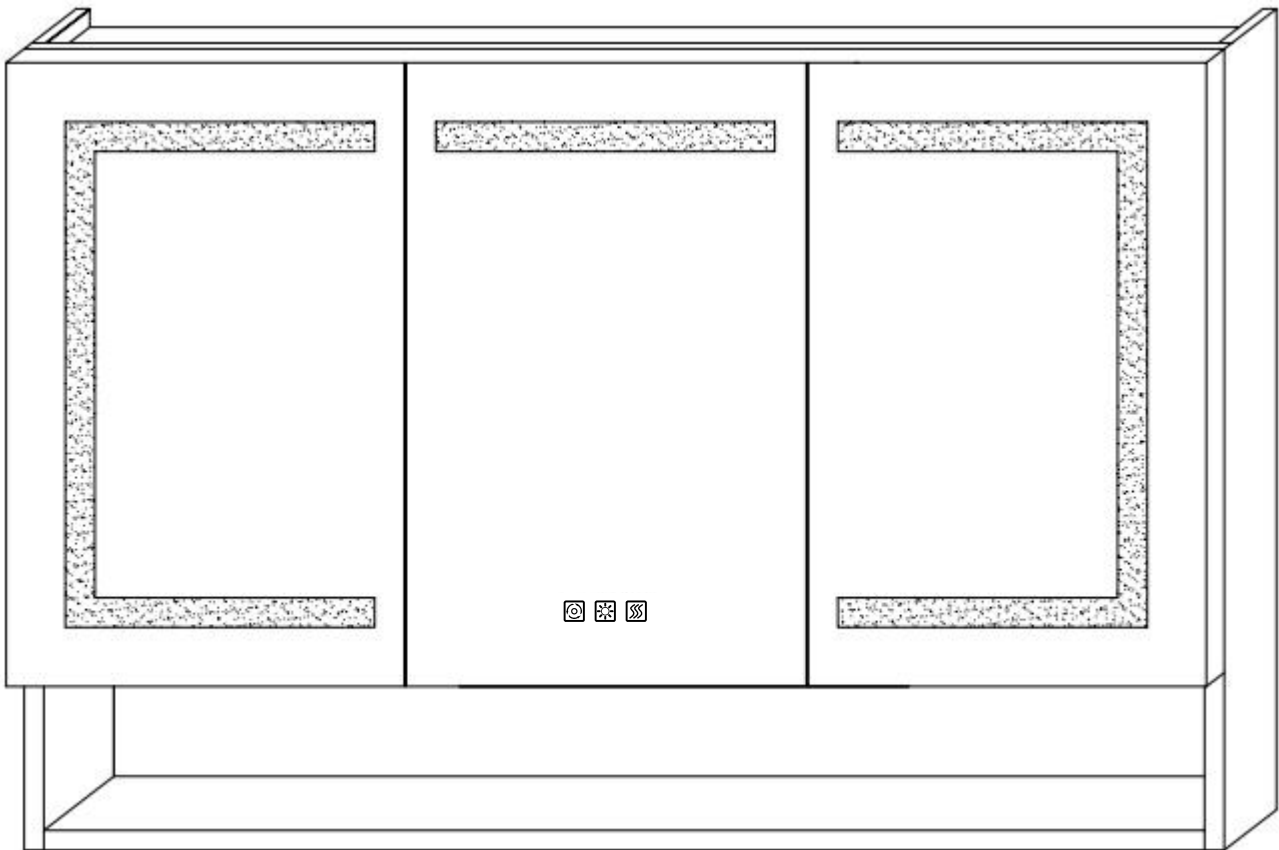
DHMC3032V5TX W30" x H32"



DHMC3632V5FX / DHMC3632V5FB  
W36" x H32"

## Installation and Operating Manual

### Series 3: LED Cabinet with external storage shelf and Night light



DHMC4832V5FX / DHMC4832V5FB  
W48" x 32"

#### **For easy and safe installation, please refer to the following:**

Read all instructions thoroughly before installing the enclosed product.  
Read and take note of all safety, care and maintenance information.

**PLEASE KEEP THIS INSTRUCTION MANUAL FOR FUTURE REFERENCE  
DURING PRODUCT OPERATION AND MAINTENANCE.**

## INSTALLATION INSTRUCTIONS



### **WARNING AND SAFETY INSTRUCTIONS**

Before installing your LED Medicine Cabinet fixture, please make sure that you carefully read through this instruction sheet, refer back to them during installation to ensure your product is fitted safely and correctly. Keep these instructions for future use.

### **WARNING** Risk of Fire and Electric Shock

- All fittings must be installed in accordance with current IEE wiring regulations. If in doubt, consult a qualified electrician.
- Switch off the electrical supply at the main circuit board BEFORE installation and maintenance.
- Suitable for indoor use only. This product should be positioned well away from curtains and fabrics. Never cover the mirror.
- Regularly check the cord, the transformer and all other parts for damage, if any part is damaged the product should not be used.

### **INSTALLATION SAFETY**

- Inspect the product immediately upon receipt for any possible damage during transportation or missing parts. Handle the product with care and protect against knocks to all sides and edges of the glass.
- Ensure there are no hidden pipes or cables in the wall before drilling.
- Wear suitable eye protection when drilling. Take care if drilling on tiled surfaces in case the drill slips.

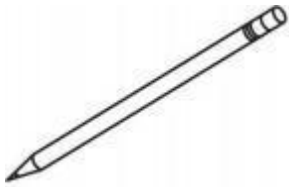
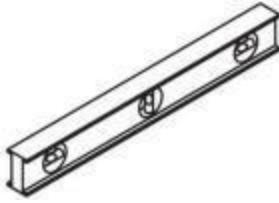
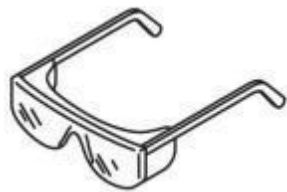




### **CAUTION**

The light source of this product is non-changeable light diodes (LED). Do not disassemble the product, as the light diodes can cause damage to the eyes.

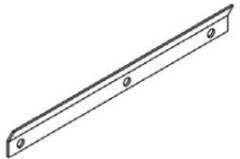
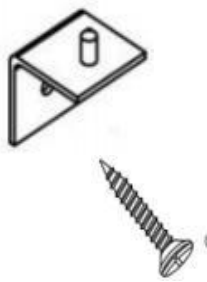






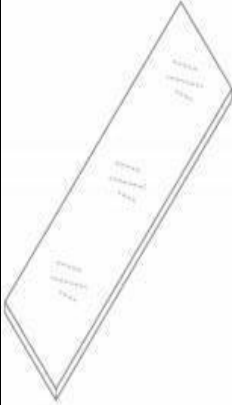
NOTE: The important safeguards and instructions that appear in this manual are not meant to cover all possible conditions and situations that may occur. It must be understood that common sense, caution and care are factors that can't be built into any product. These factors must be supplied by the person(s) caring for and operating the fixture. Do not install this fixture in hazardous locations.

---

**REQUIRTOOLSED**

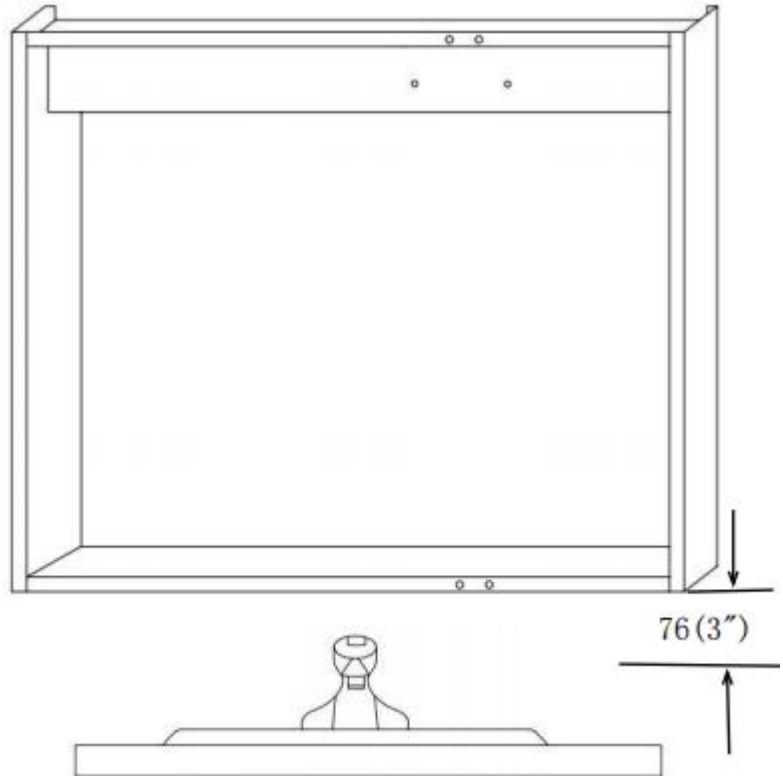
			
			

**PARTS SUPPLIED**

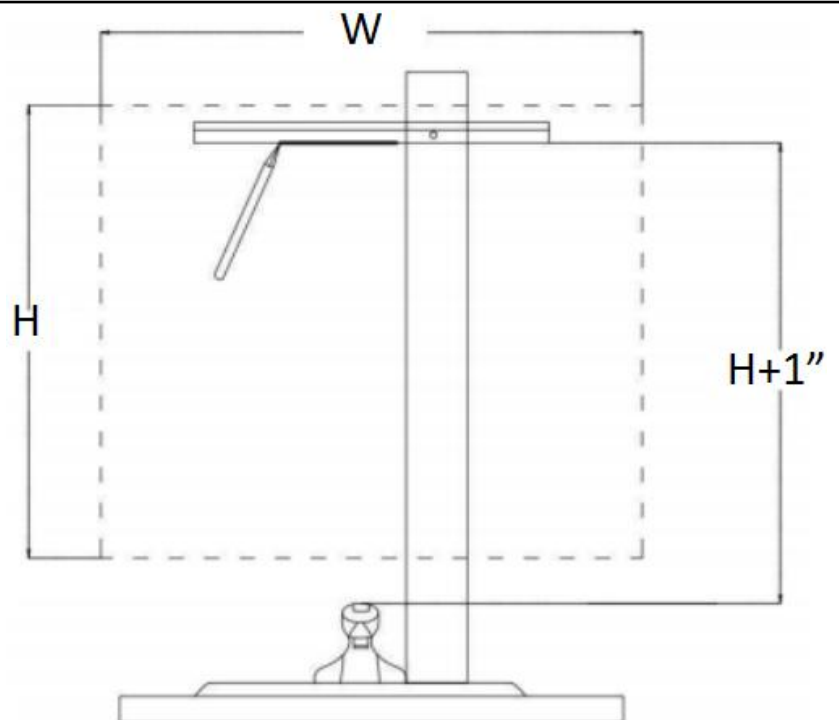
 Z-Bar x1	 Z-Hook x1 Matching screws x2	 for spare	 hingecoverX 2-6	 Side panels x 2
 Wire caps x3	 Anchor x5-7	 Round head screw x5-7	 30"*26"/20"*28": Glass shelves x 2 Other size: Glass shelves x 3	

## Cabinet installation Instructions for Hanging Walls

Verify minimum clearances



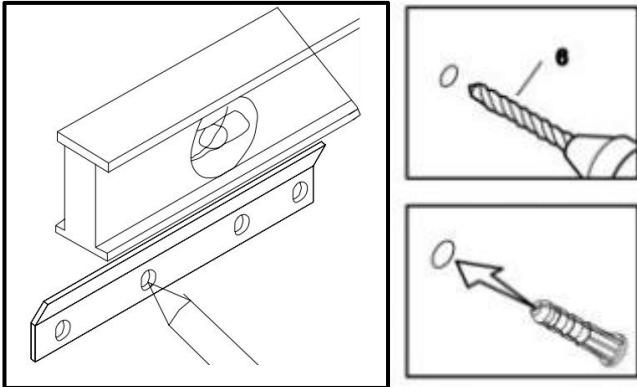
STEP 1



STEP 2

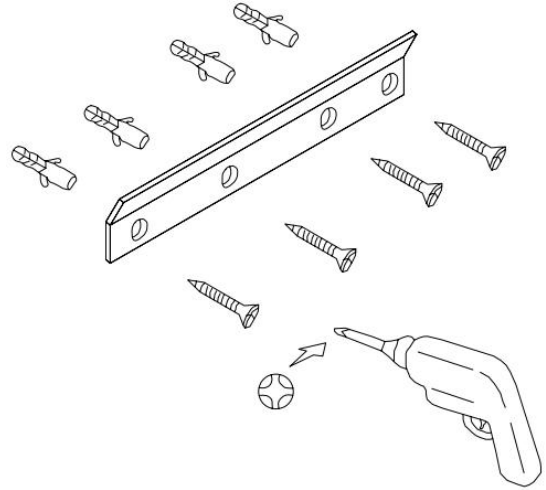
**Cabinet installation Instructions for Hanging Walls**

Mark hole locations on the wall. Drill holes Insert anchors where needed

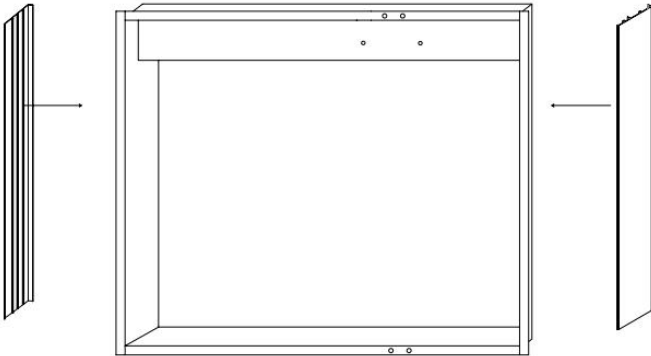


**STEP 3**

Secure the bar with round-head screws

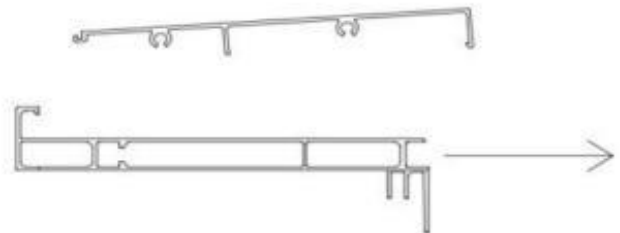


**STEP 4**



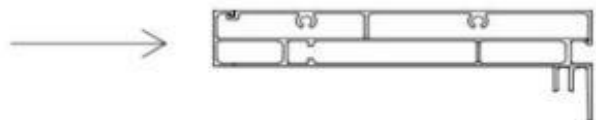
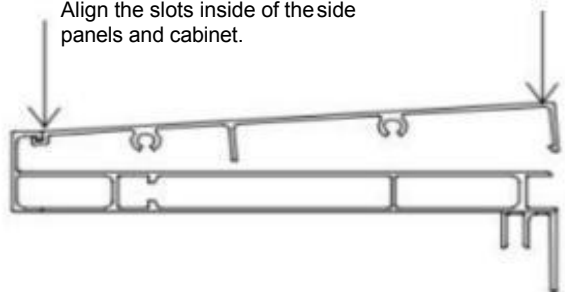
**STEP 5**

The side panels and cabinets are individually packaged , you need follow the STEP 5 to STEP 7 to install the side panels for hanging walls version,for embedded installation no need install the side boards.



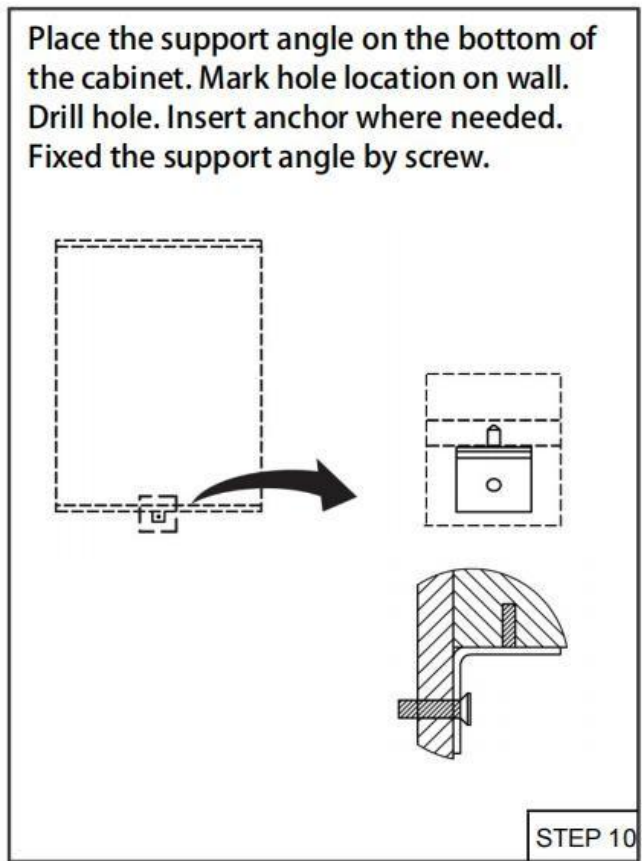
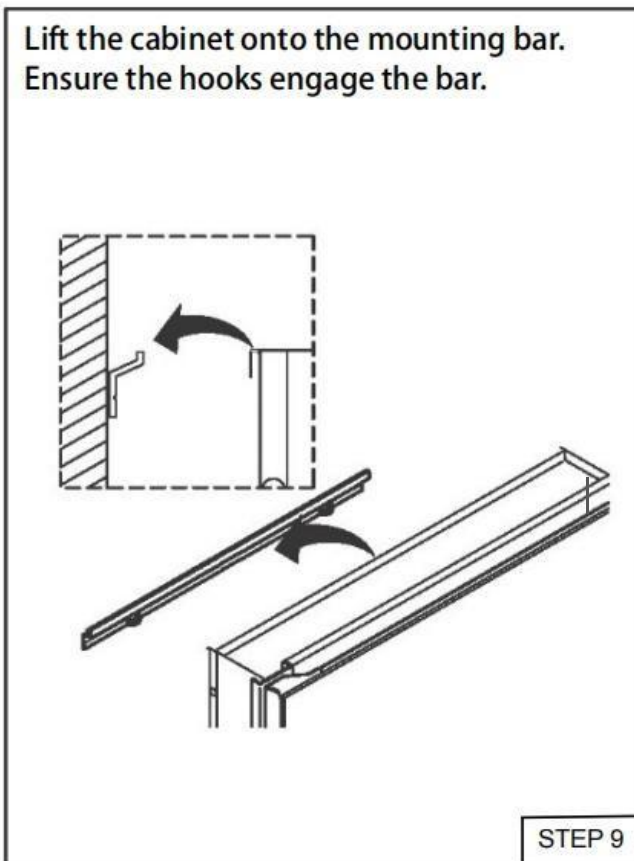
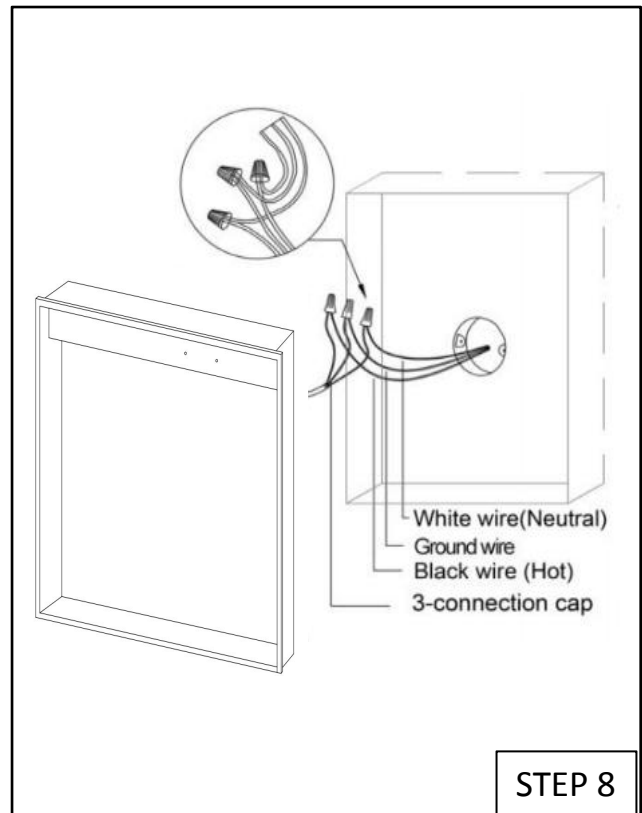
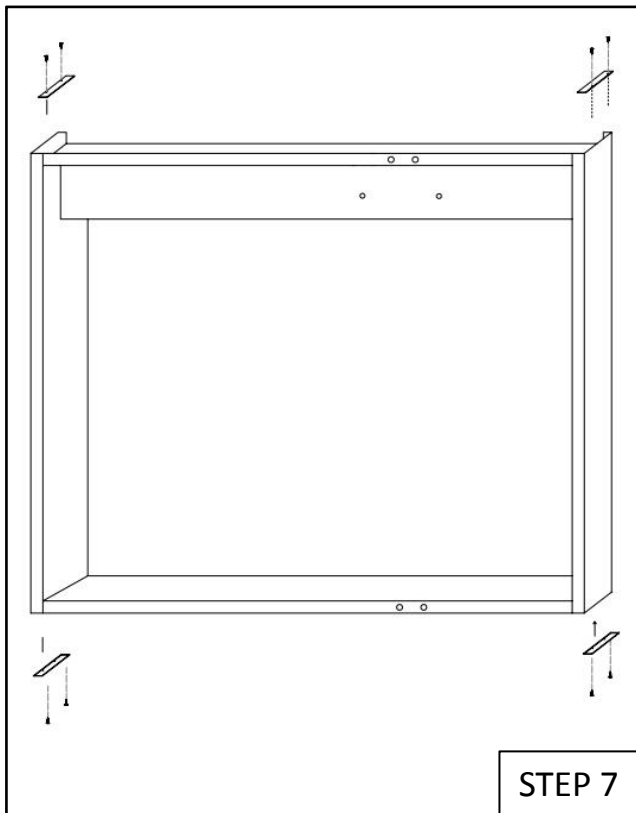
Press down the side panels until they are clamped tightly with the cabinet.

Align the slots inside of the side panels and cabinet.



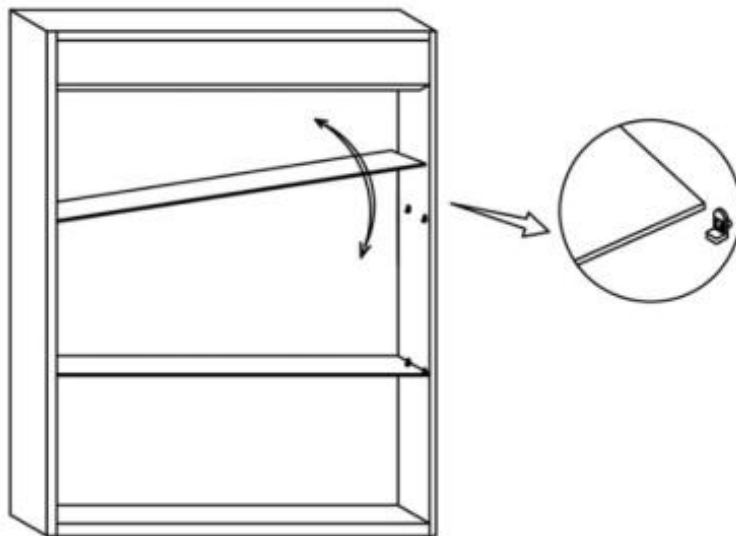
**STEP 6**

**Cabinet installation Instructions for Hanging Walls**

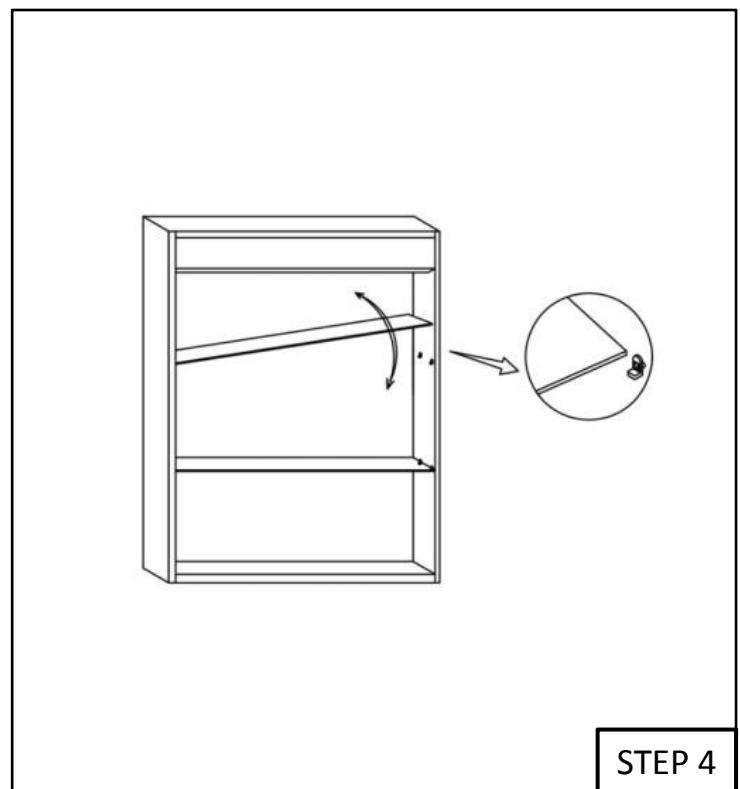
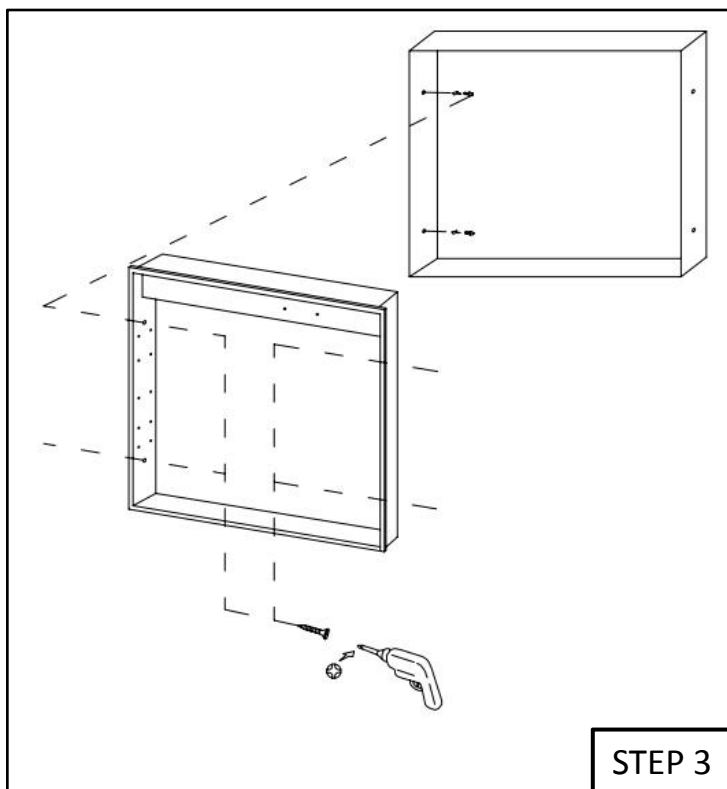
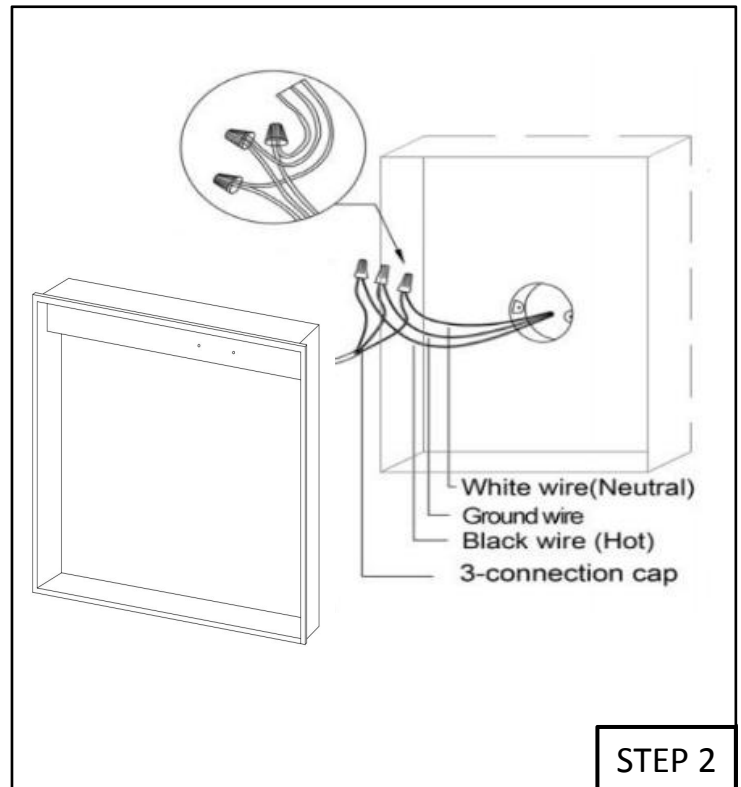
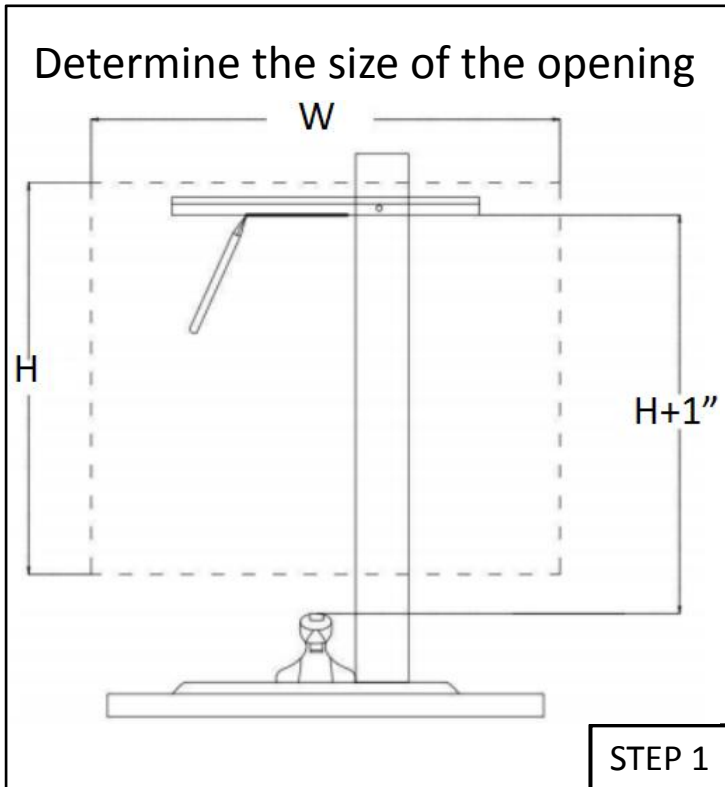


### Cabinet installation Instructions for Hanging Walls

Insert the glass shelves between the layer board clips.



**Cabinet embedded Installation Instructions**

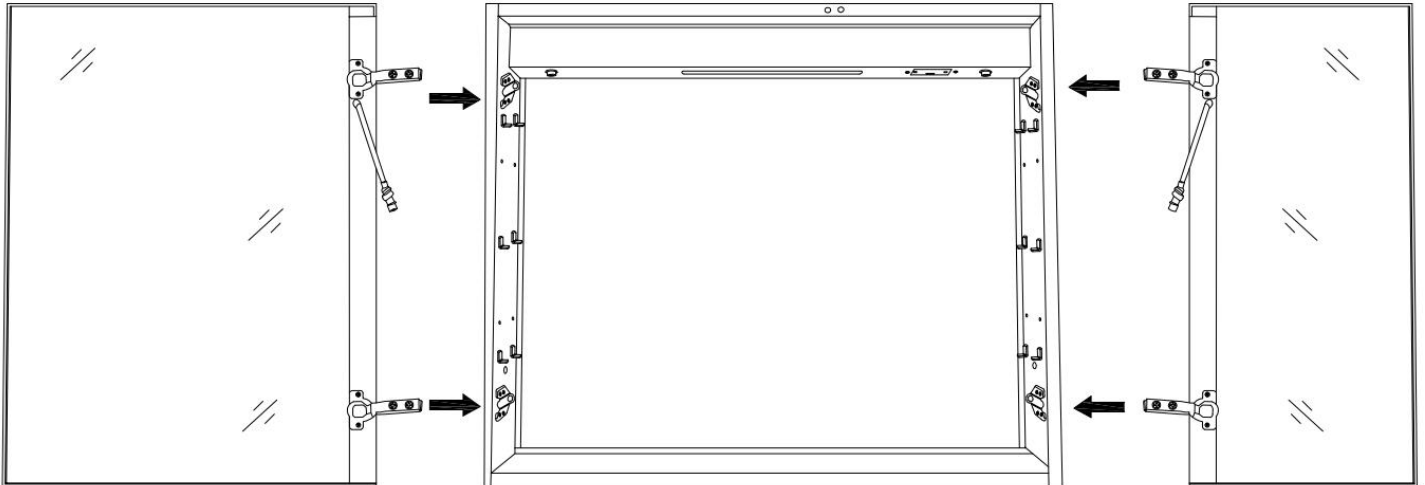


\*All diagrams are for reference only. All model dimensions and proportion position will vary.

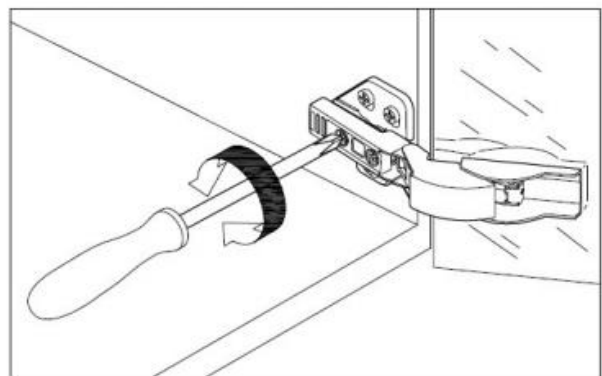
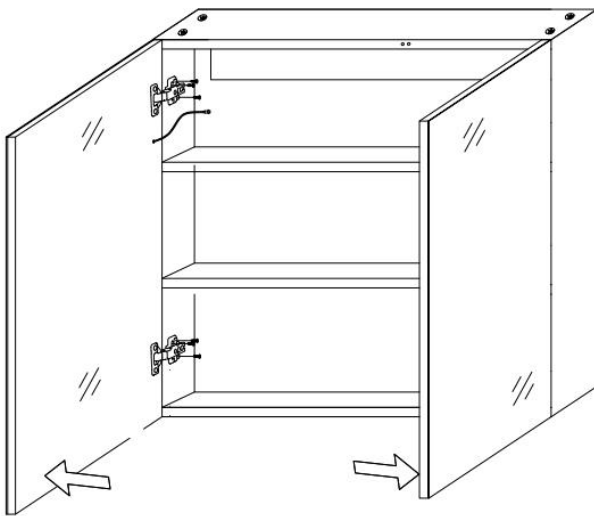
**Instructions for assembling the doors and cabinet--**

**Suit for the items which doors and cabinet are separately packaging** (considering the huge weight, we suggest installing the cabinet first, then assemble the door with cabinet as below steps)

1. Insert the hinges to the base ,then connect the doors with the cabinet

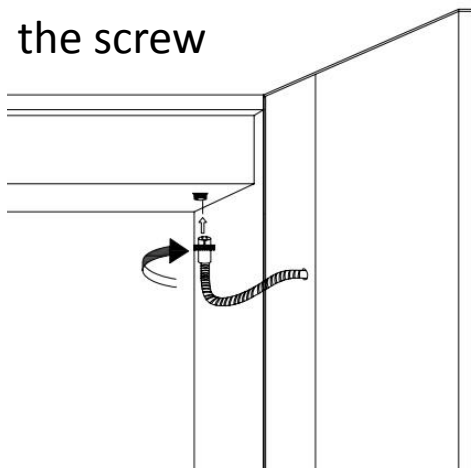


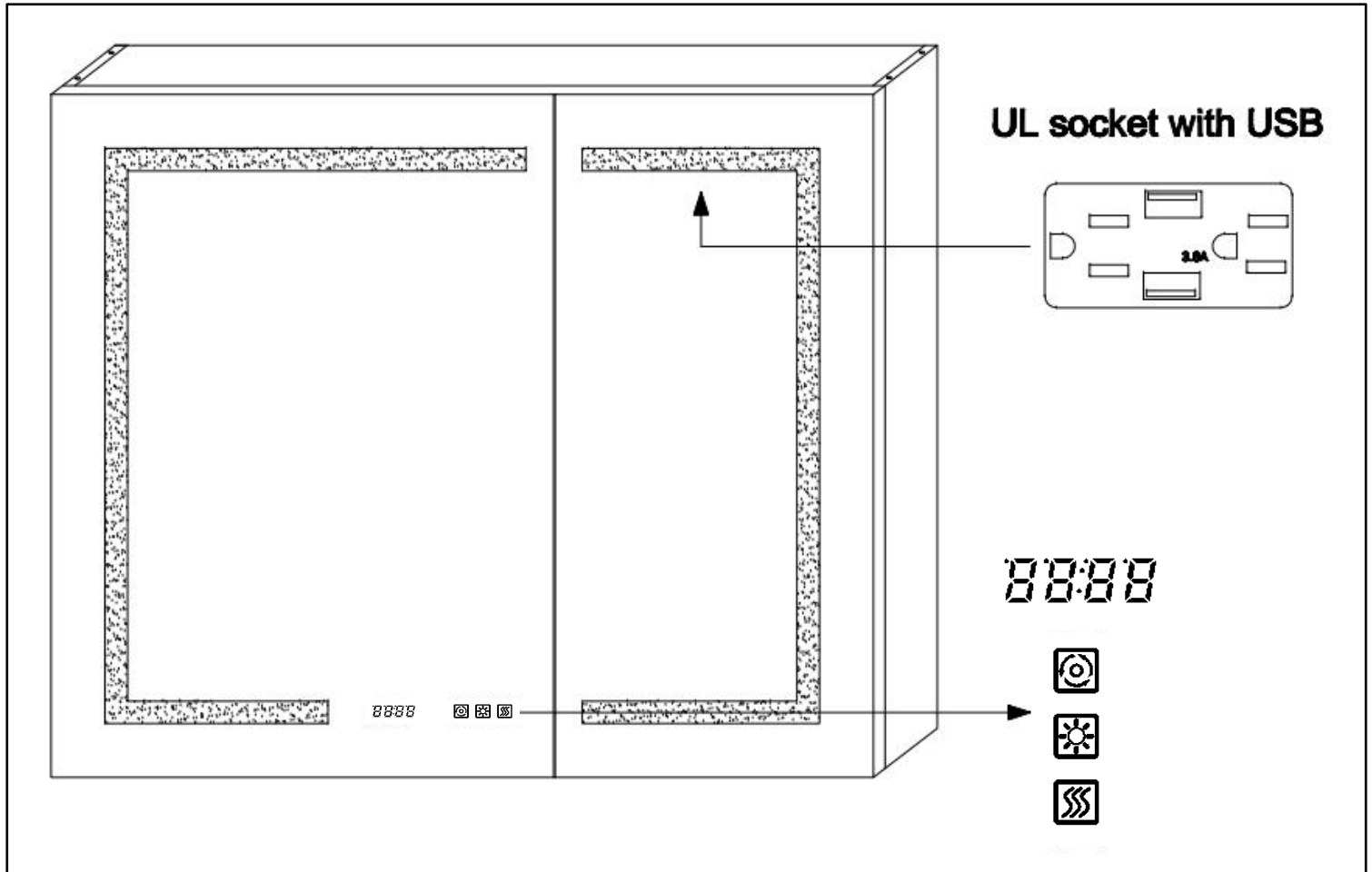
2. Adjust corresponding screws on the hinge to align the doors, ensure that gaps are even and the doors open and close smoothly



Adjust gap between door and cabinet

3. Insert the wire on the door into the terminal on the cabinet and tighten the screw





## Manual to turn on/off light, dimming, CCT changing with touch switch



- Short - touch the button to turn on/off the mirror.
- Adjusting color temperatures (CCT) between warm white and cool white by long - touching the button for seconds.
- Finish setting by withdrawing your finger when the color reaches the one you need.
- Optional to be wired to wall switch by ON/OFF memory function.



- Short - touch the button to turn on/off the mirror.
- Long touching the button to adjust the brightness (Dimming).
- Finish setting by withdrawing your finger when the brightness reaches the one you need.



- Mirror begins to be warm and defog after pressing the defogger button.
- Press again to quit the anti - fog function.
- Note: The defogger will stop automatically after 60 minutes of continuous operation to prevent any damage caused by prolonged high temperature.

## Manual to setting clock with touch switch

### ● Choose and set the clock and temperature mode

- Turn off the light.
- Long-touch button 2 to choose and set the mode when it flash.

There are two clock and temperature modes to choose.

A: 12C/12F: Fahrenheit (F) and 12 hours

B: 24C/24F: Celsius (C) and 24 hours

The default mode is 12C/12F.

### ● Setting the clock

- Turn off the light to set the clock.
- Long touch button 1 for seconds,the Hour will flash, then short-touch button1 and 2 to set Hour.
- Wait for seconds after setting up the Hour,then it will automatically switch to the Minute flash.
- Short-touch button 1and 2 to set up the Minute.
- Wait seconds after you finish the time setting,the time will be saved automatically.

### ● Turn on/off the touch switches' blue background lighth

- In default mode the touch switches is with blue background light , long-touch button 3 to turn on/off the blue background light.

### Remarks:

- \*The clock shows for 5s, and shift to the temperature showing for 2s, then go back to show the clock.
- \*It automatically displays the indoor temperature by auto sensing through the temperature sensor.
- \*DO NOT cover the temperature sensor.



Button 1



Button 2



Button 3



## Night Light

### ● Inside Night Light

- The Night Light inside the cabinet will be auto-on/off according to the brightness surrounding when the door be opened.
- Don't cover the night light sensor.

### ● External Night Light

- The Night Light will be auto-on/off according to the brightnes surrounding when the rocker switch is kepping turned on.
  - If need turn off the night light at night,please turn off the rocker switch manually.
  - Don't cover the night light sensor.
-