

Cassara Outdoor Ottoman

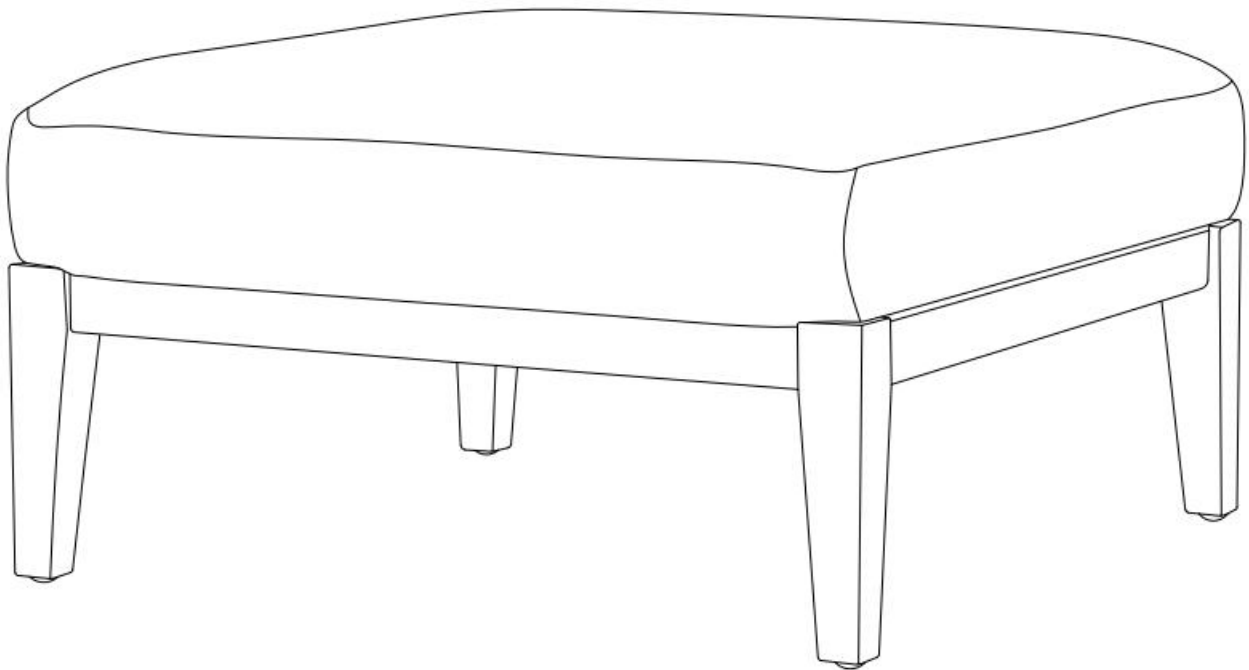
Your furniture requires assembly prior to use. It is important that you read the entire assembly instructions to become familiar with the unit before you set up this product.

Safety Warning and Precautions

WARNING: When setting up your furniture, basic precautions should always be followed to reduce risk of personal injury and damage to the product.






Read all instructions before assembly and usage this product.

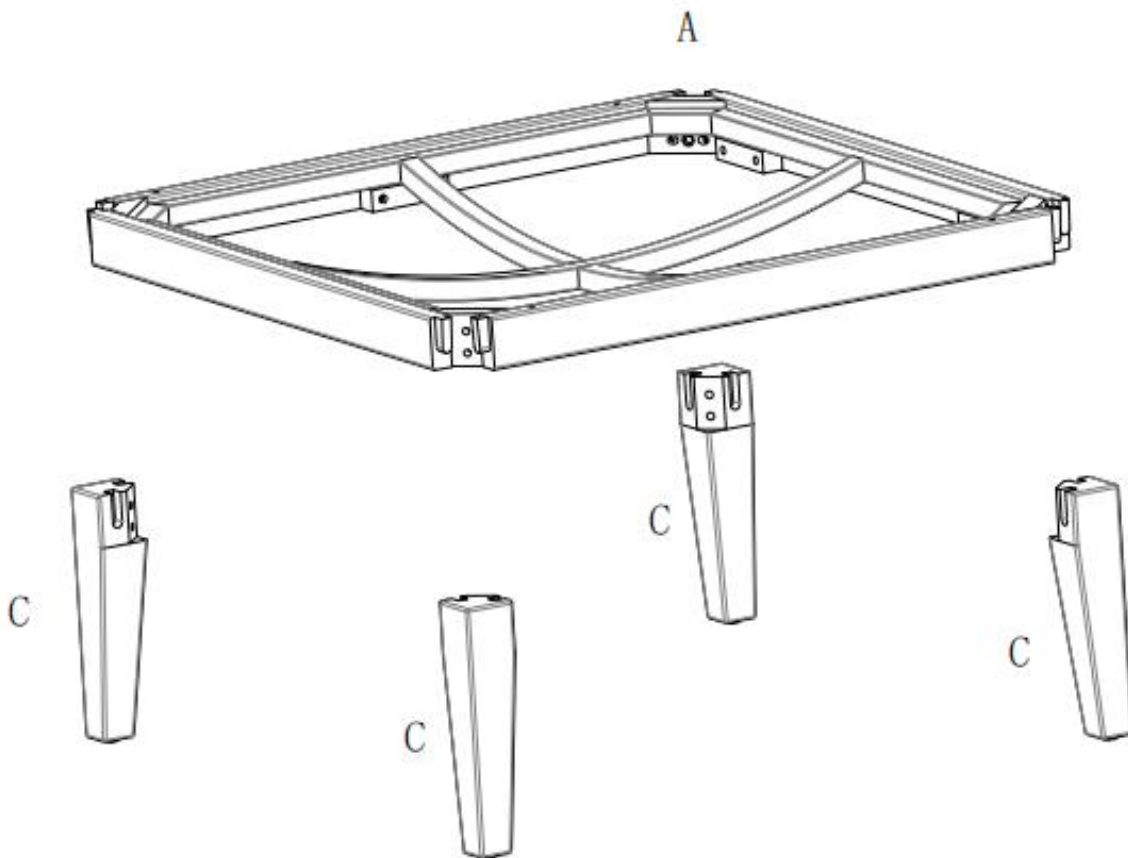
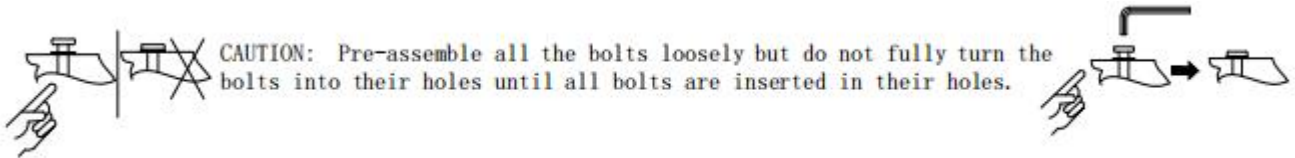
1. Select ideal location. Set out all parts on a clear and level surface prior to assembly. Ideally, the furniture should be set up in the desired location to avoid moving it after assembly.
2. Use caution. During all the processes of assembling, especially when lifting heavy or large parts, pay attention to safety.
3. Tools and Assistance. An adjustable spanner is required for assembly. It is recommended 2 people assist with assembly.
4. Check all parts before assembling, ensure you have all parts detailed in the parts list on Page 2.
5. Refer to assembly diagram. During assembly, refer to the assembly instructions on following pages.
6. Caution. Keep children away from work area during assembly. Do not allow children to handle parts or tools while assembling.



Cassara Outdoor Ottoman

FITTINGS IDENTIFICATION

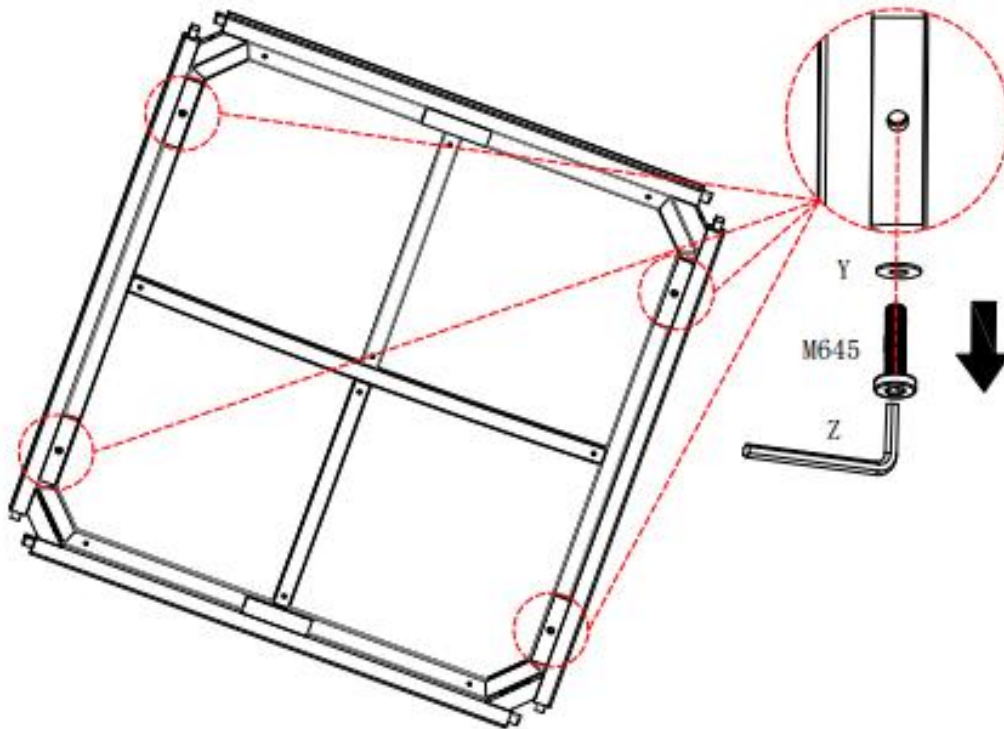
Part #	M650	X	M645	Y	Z
Description:	Screw M6*50	Gasket	Screw M6*45	Gasket	Allen Wrench
Figure:	 M6*50	 Ø12*Ø6.5*1.0	 M6*45	 Ø16*Ø6.5*1.0	
Qty:	8PCS	8PCS	4PCS	4PCS	1PCS



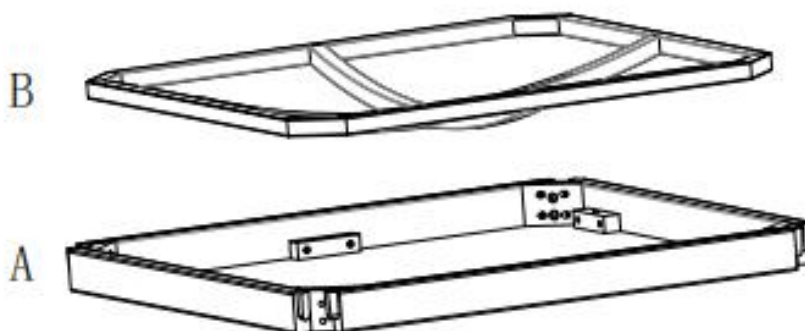
Murcano[™] Assembly Instruction

Cassara Outdoor Ottoman

STEP 1



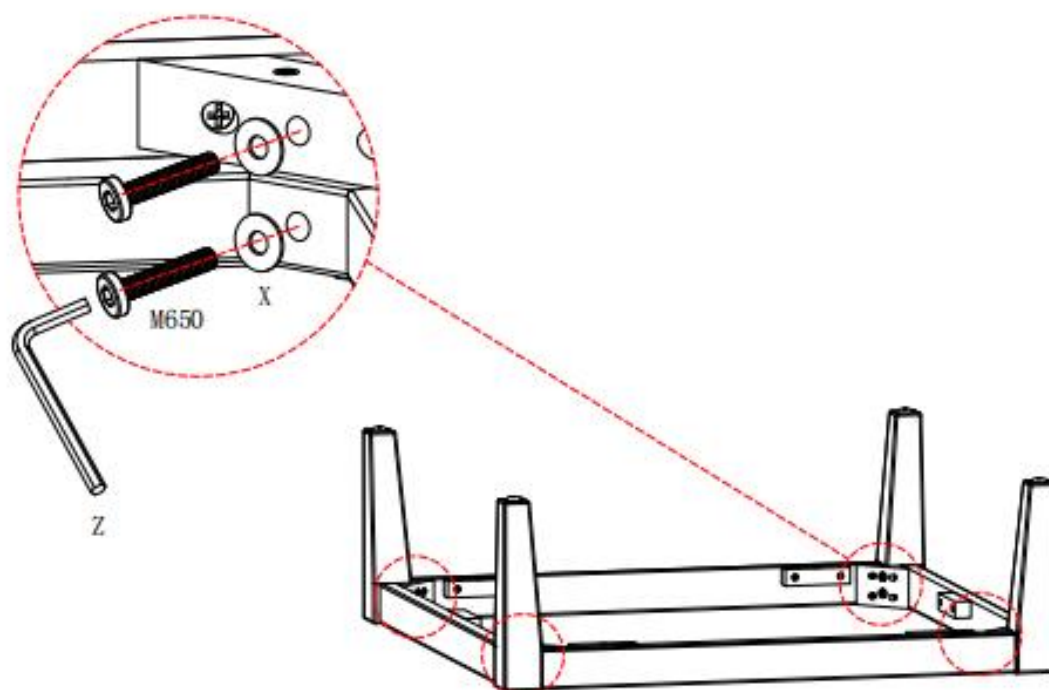
STEP 2



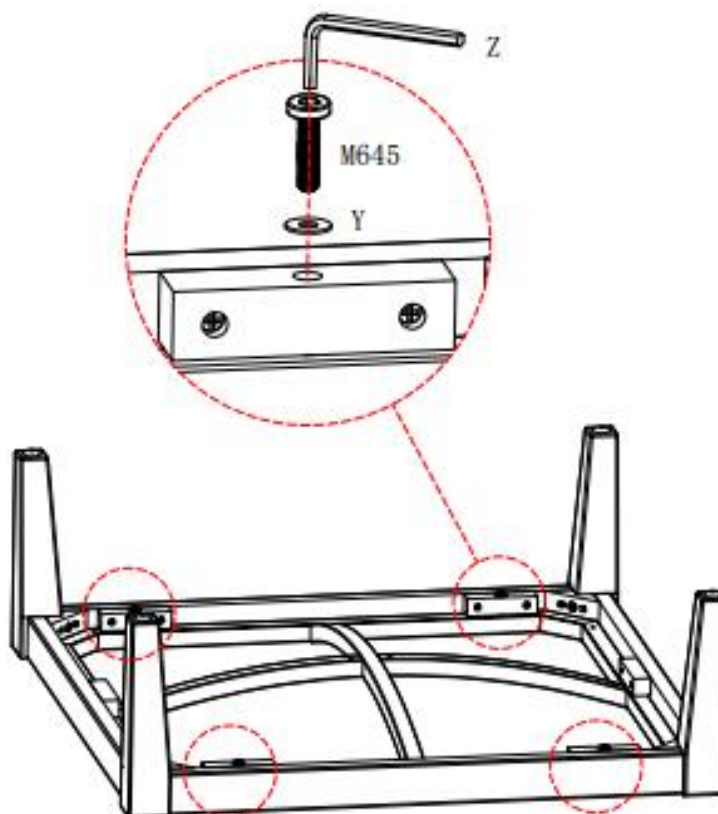
Murcano[™] Assembly Instruction

Cassara Outdoor Ottoman

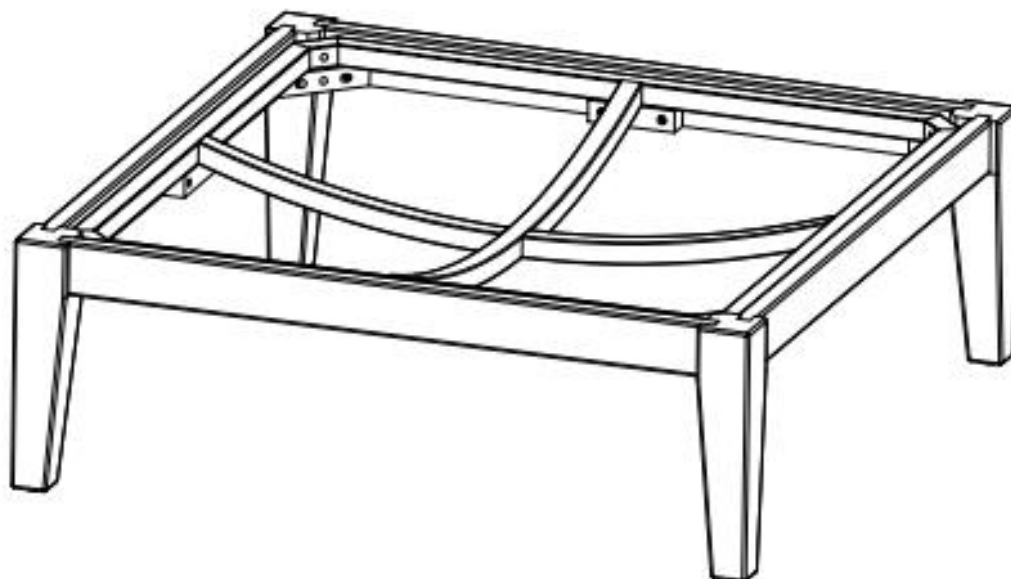
STEP 3



STEP 4



Cassara Outdoor Ottoman



Steps:

1. Take out the seat frame (Part A) and remove the four screws M6*45 (part M645) and gasket (Part Y) by using the Allen Wrench (Part Z). then you can get Part B from Part A.
2. Attach the Part C to the Part A with Screw M6*50 (Part M650) and the Gasket (Part X) by using the Allen Wrench (Part Z)
3. Attach the Part B to the Part A with Screw M6*45 (Part M645) and the Gasket (Part Y) by using the Allen Wrench (Part Z)

Tighten all screws. Your ottoman is ready to use. (Note: Pre-assemble all the bolts loosely but do not fully turn the bolts into their holes until all bolts are inserted in their holes.)

Periodically check and make sure that all screws are fully tightened.