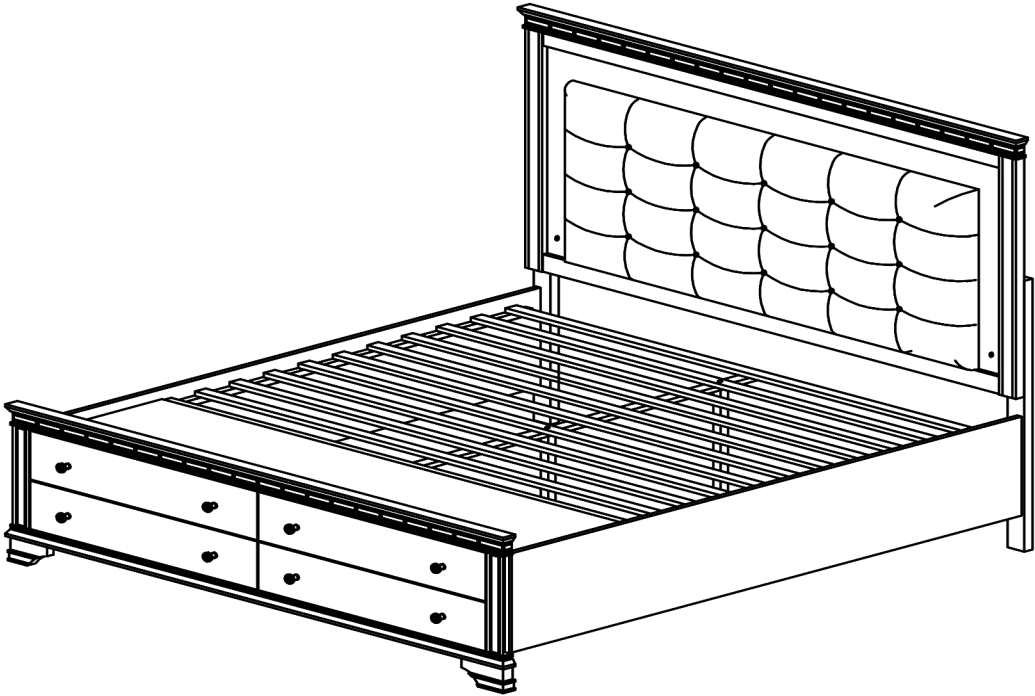


# Assembly Instructions

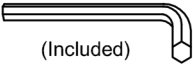


## ASSEMBLY RATING

The Assembly Rating is a 5-point system that shows the degree of effort needed in assembling a specific product (with 1 being easy and 5 being difficult). For some products, two persons are recommended.

## Tools Required For Assembly:

Allen Wrench



(Included)

Phillips Screwdriver



(Not Included)

EASY



DIFFICULT

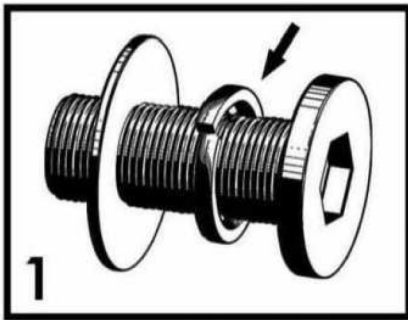


2 PERSONS RECOMMENDED

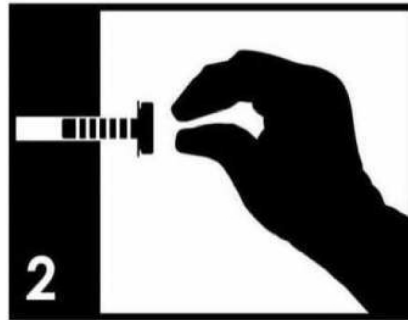
# ASSEMBLY & CARE ADVICE

FOR YOUR FURNITURE TO LAST, CORRECT ASSEMBLY AND PROPER MAINTENANCE ARE NECESSARY. PLEASE FOLLOW THE INFORMATION PROVIDED BELOW TO FULLY ENJOY YOUR FURNITURE.

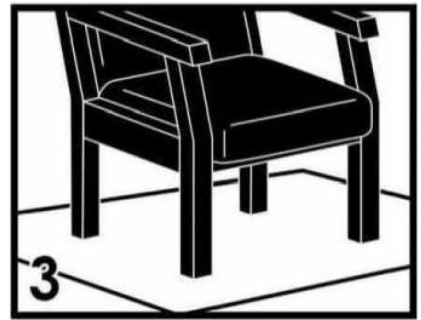
## BASIC ASSEMBLY TECHNIQUES



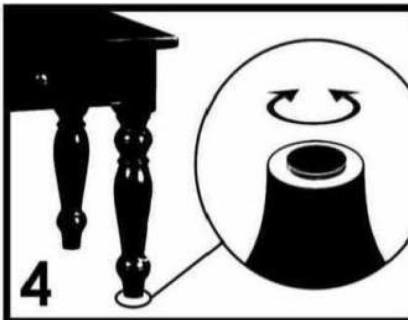
When lock or spring washer is used in an assembly, please make sure the lock or spring washer is placed between the larger flat washer and the head of the screw or bolt.



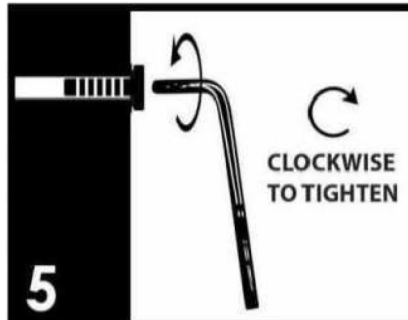
Position each part correctly and insert screws or bolts into their respective holes by hand tighten or using the proper hand tool. Only tighten when step is completed or when instructed to do so.



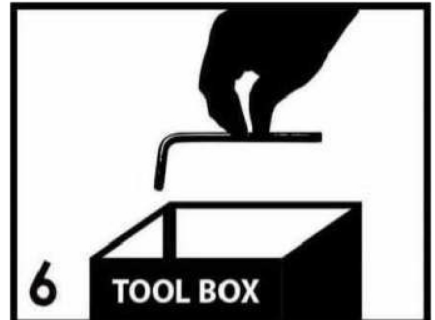
Use cardboard or carpet area when assembling furniture to prevent scratches. Make sure the furniture rests on a flat and level surface with each leg evenly touching the floor.



Some furniture comes with height adjustment knobs underneath each leg. To lower or to raise each leg, you need to turn clockwise or counterclockwise, respectively.



Make sure all parts are properly aligned, then use the appropriate hand tool to completely tighten the bolts or screws. Do not use power tools and do not overtighten.

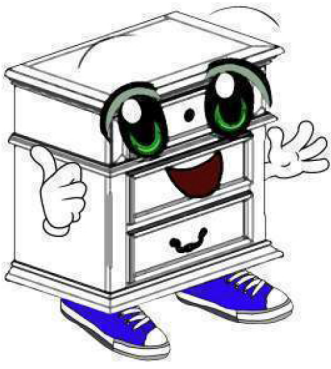


Save the instructions and store the Allen wrench or any supplied tool for later maintenance. After two weeks, check and tighten any loose hardware and repeat again every six months thereafter.

IT IS THE USER'S RESPONSIBILITY TO MAINTAIN THE FURNITURE. THE HARDWARE MAY LOOSEN OVER TIME AND MAY CAUSE THE FURNITURE TO BE WOBBLY AND UNABLE TO SUPPORT ITS INTENDED WEIGHT CAPACITY. THIS MAY LEAD TO COLLAPSE AND MAY CAUSE SERIOUS INJURY.



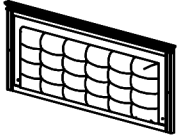
**FAILURE TO FOLLOW THE GUIDELINES ABOVE MAY RESULT IN INJURY AND/OR PROPERTY DAMAGE.**



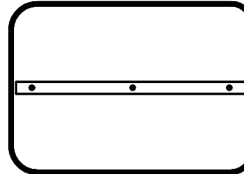
Before you begin, please read Page 2 of "Assembly and Care Advice".

And remember, do not tighten until each step is completed or instructed.

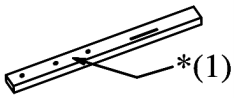
### Parts List



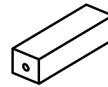
#1 x 1pc  
Headboard (LED)



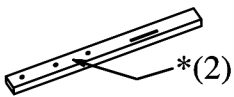
#10 x 1pc  
Center Vertical Slats



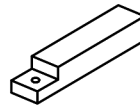
#2 x 1pc  
Headboard Leg (L)



#11 x 3pcs  
Slat Support Leg



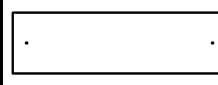
#3 x 1pc  
Headboard Leg (R)



#12 x 1pc  
Drawer Support Leg



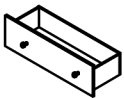
#4 x 1pc  
Footboard



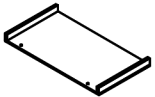
#13 x 1pc  
Slat Cover Panel



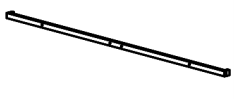
#5 x 2pcs  
Side Rail



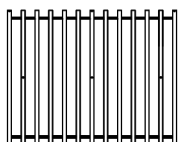
#6 x 2pcs  
Drawer



#7 x 2pcs  
Drawer Base Panel



#8 x 1pc  
Drawer Support Rail



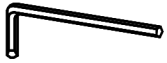
#9 x 13pcs  
Role Slat



Before you begin, please read Page 2 of "Assembly and Care Advice".

And remember, do not tighten until each step is completed or instructed.

### Hardware Pack in Headboard



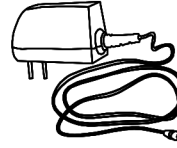
#A x 1pc  
Allen Wrench



#D x 6pcs  
M6 Flat Washer



#B x 6pcs  
JCBC 40mm

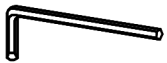


#E x 1pc  
AC Adapter



#C x 6pcs  
M6 Lock Washer

### Hardware Pack in Footboard



#F x 1pc  
Allen Wrench



#K x 6pcs  
Screw 16mm



#G x 11pcs  
JCBC 35mm



#L x 26pcs  
Screw 32mm



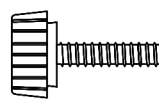
#H x 3pcs  
JCBC 60mm



#M x 2pcs  
L Bracket



#I x 14pcs  
M6 Lock Washer



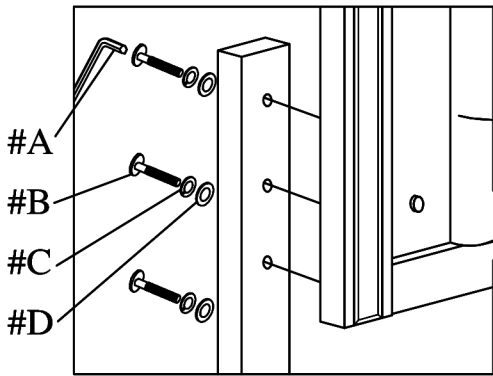
#N x 4pcs  
Adjustable Leveler



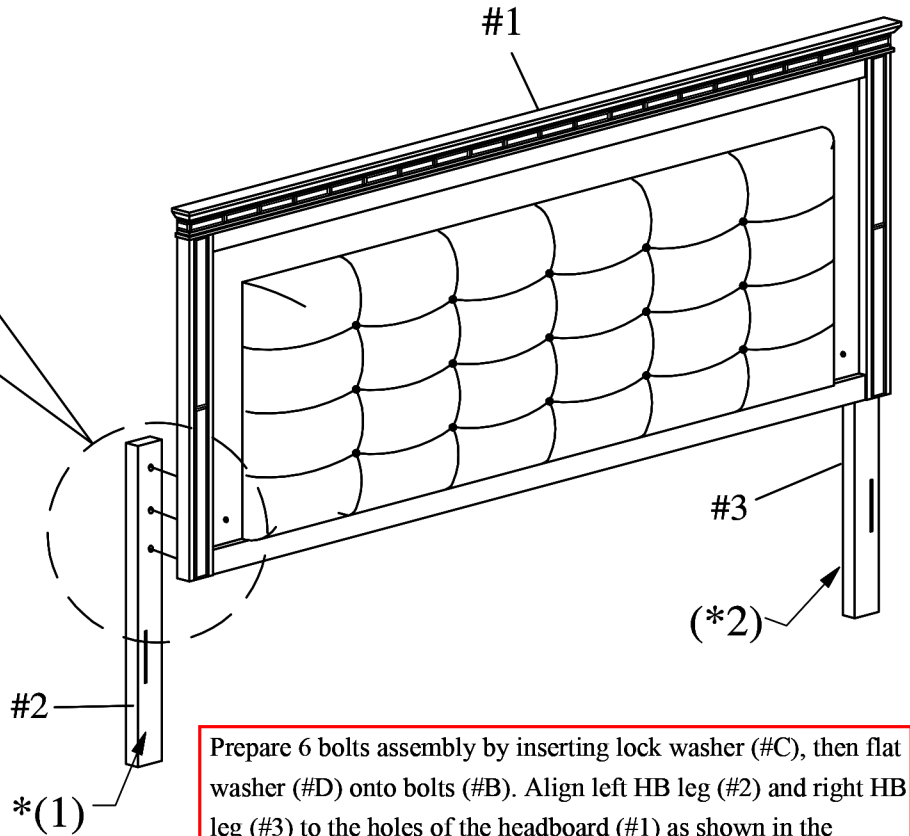
#J x 11pcs  
M6 Flat Washer



#B x 6pcs  
 #C x 6pcs  
 #D x 6pcs



Note : Left and right is determined by facing the front of the headboard in its upright position.

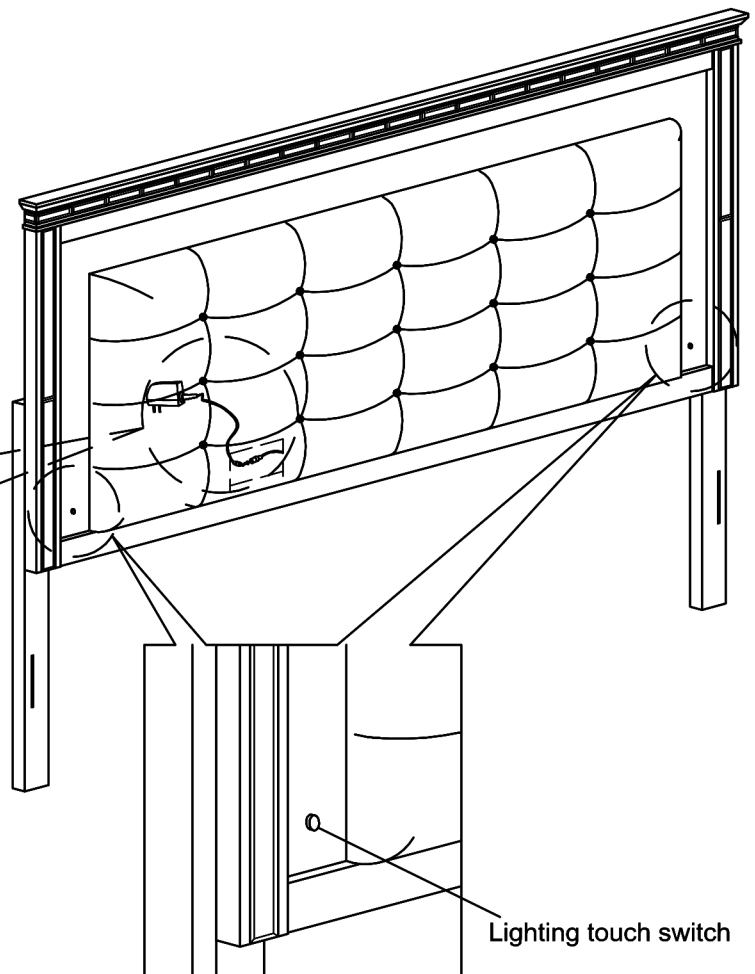
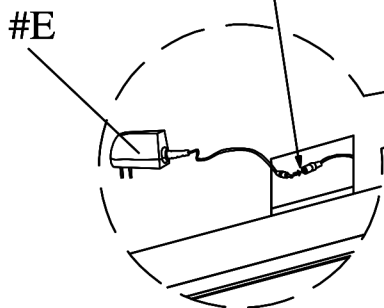


Prepare 6 bolts assembly by inserting lock washer (#C), then flat washer (#D) onto bolts (#B). Align left HB leg (#2) and right HB leg (#3) to the holes of the headboard (#1) as shown in the diagram. Secure by using bolts (#B).



#E x 1pc

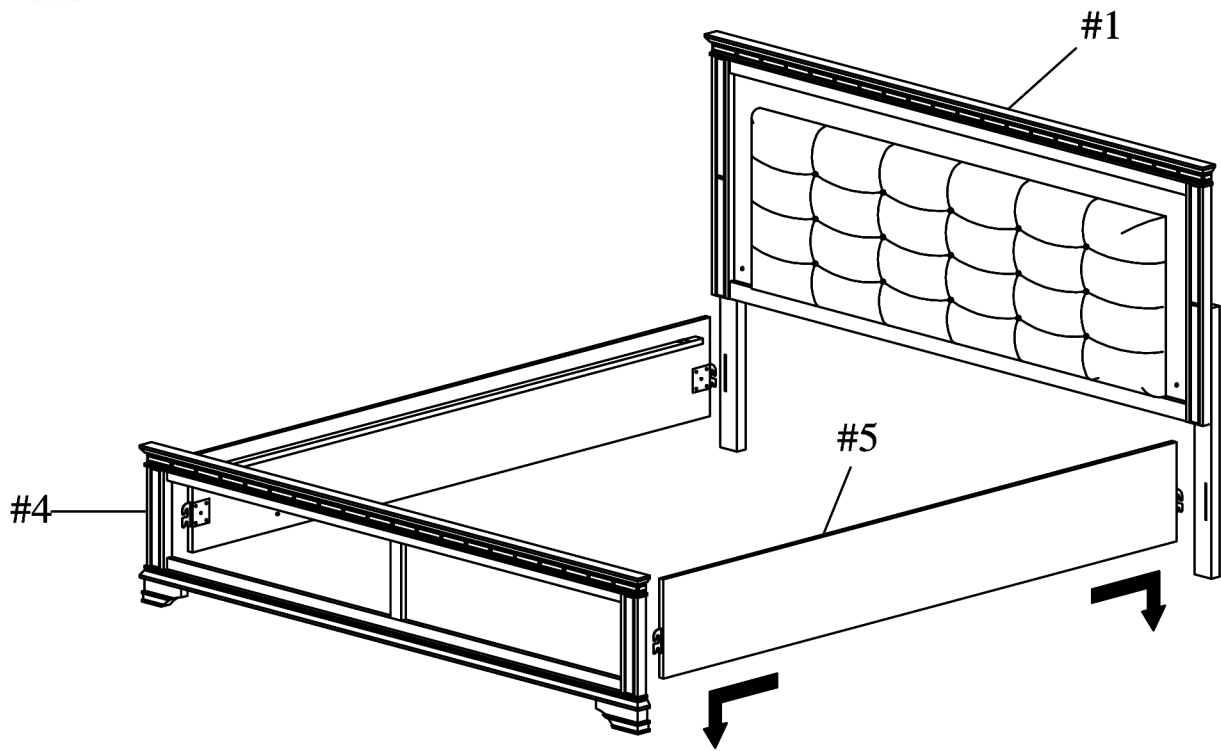
Ensure adapter socket connect to behind headboard socket



Lighting touch switch

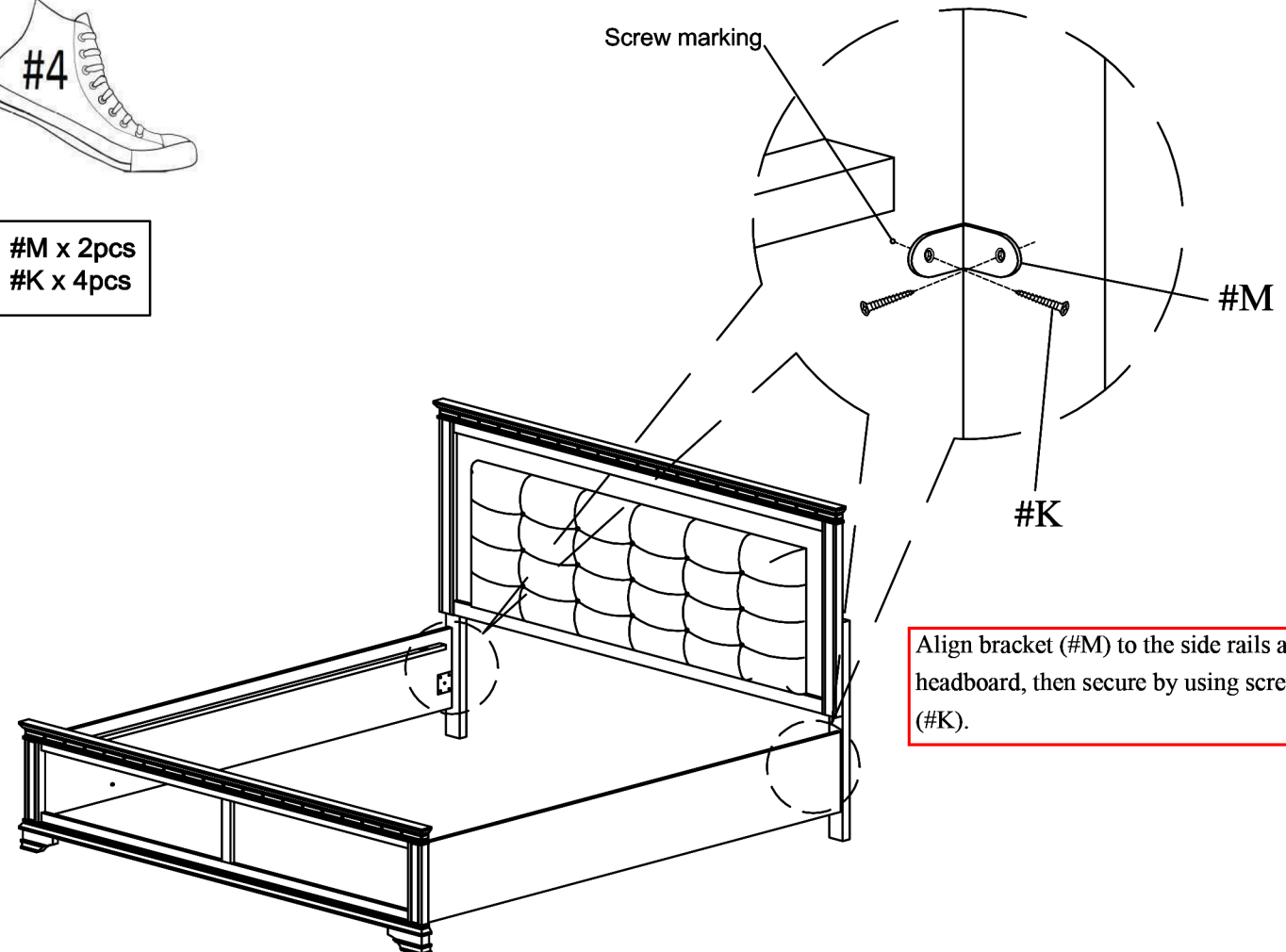


Align and hook side rails (#5) to the latch of the headboard (#1) and footboard (#4). Make sure it is firmly secured.



#M x 2pcs  
#K x 4pcs

Screw marking

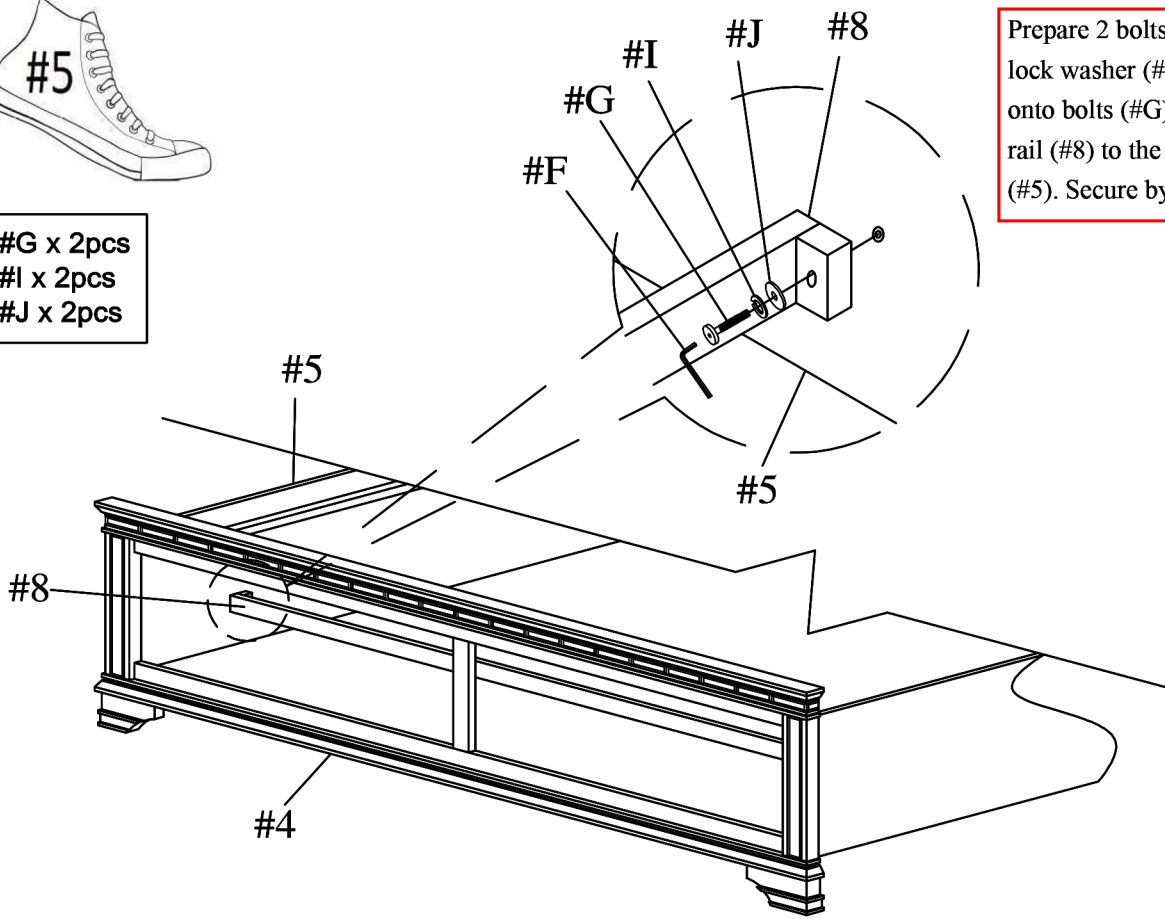


Align bracket (#M) to the side rails and headboard, then secure by using screws (#K).



#G x 2pcs  
 #I x 2pcs  
 #J x 2pcs

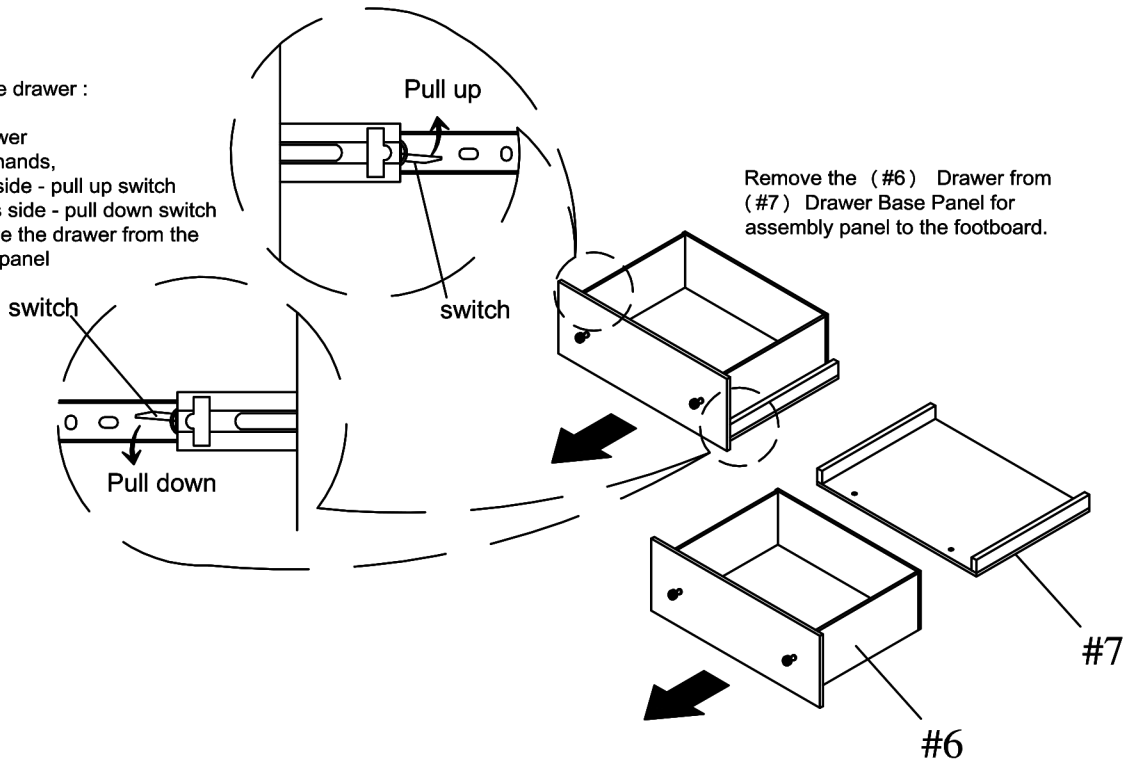
Prepare 2 bolts assembly by inserting lock washer (#I), then flat washer (#J) onto bolts (#G). Align drawer support rail (#8) to the holes of the side rails (#5). Secure by using bolts (#G).



Make sure to fully extend rails to see the black switch on the rails.

Step to remove the drawer :

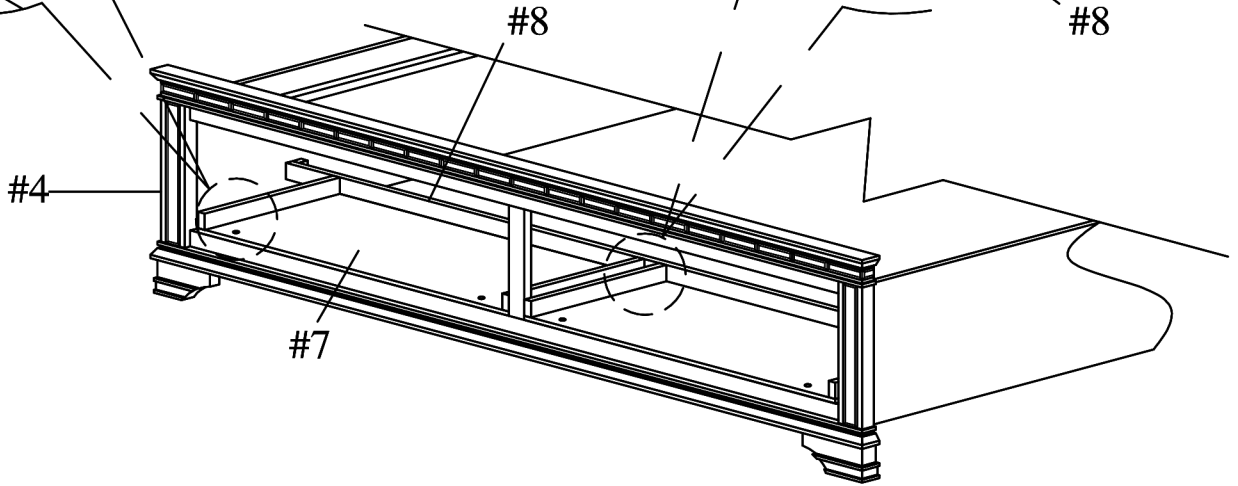
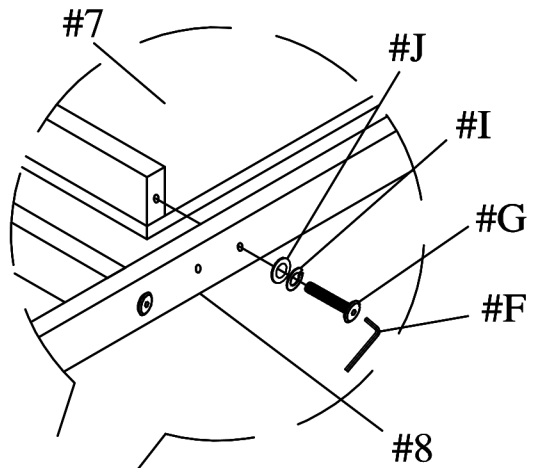
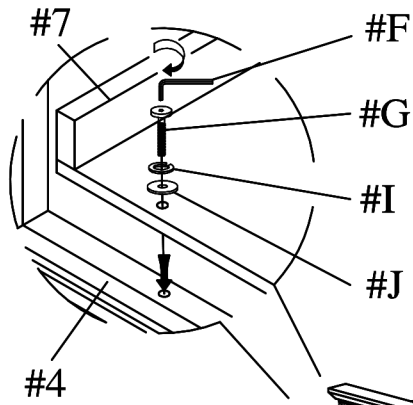
1. Pull the drawer
2. Using both hands,
  - Left hands side - pull up switch
  - Right hands side - pull down switch
3. Than remove the drawer from the drawer base panel





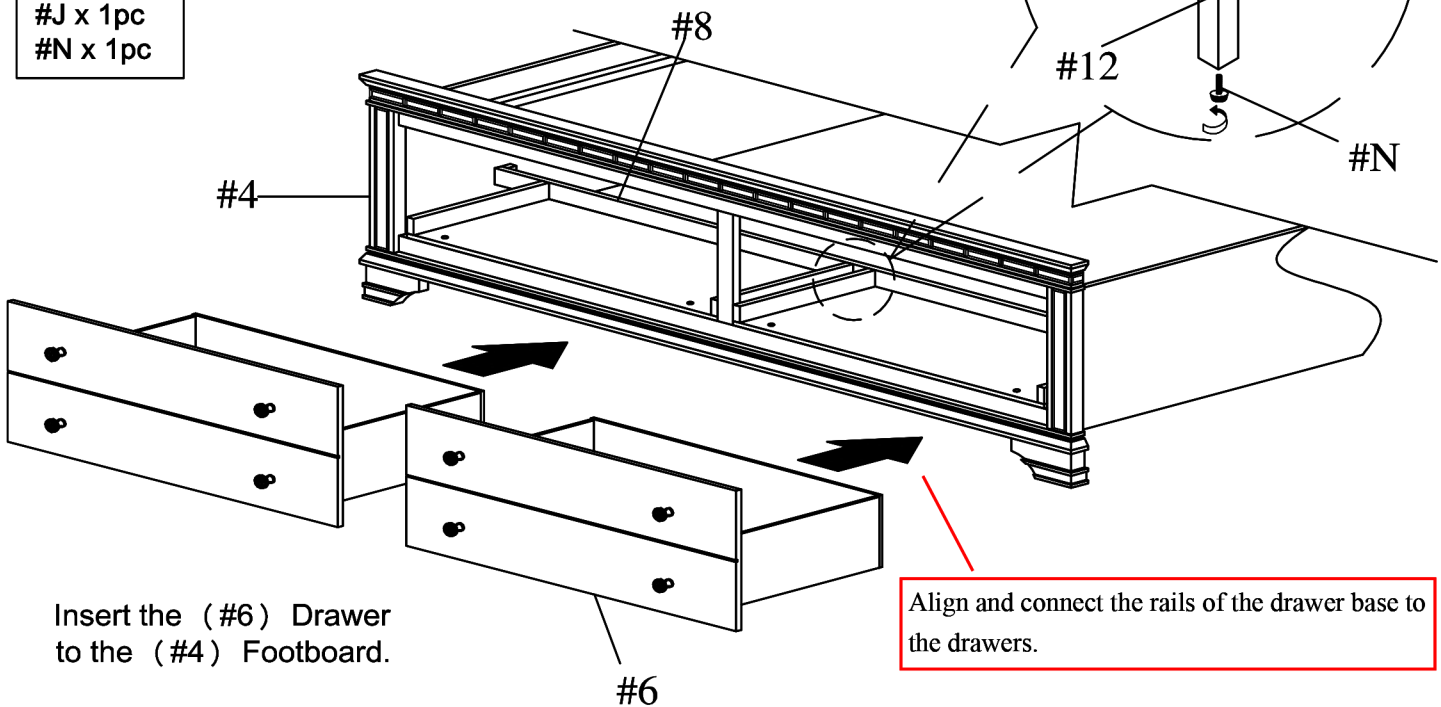
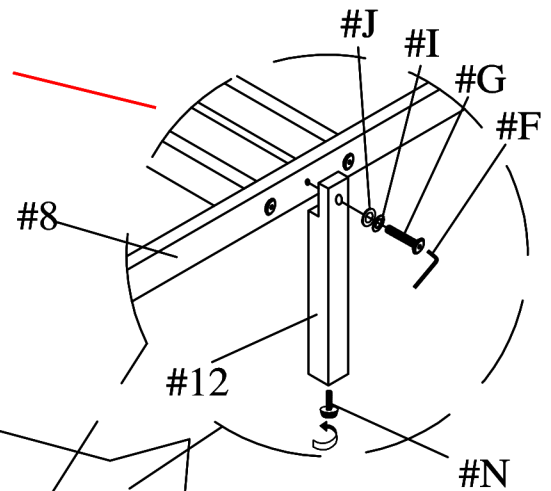
- #G x 8pcs
- #I x 8pcs
- #J x 8pcs

Prepare 8 bolts assembly by inserting lock washer (#I), then flat washer (#J) onto bolts (#G). Align drawer base panels (#7) to the holes of the footboard (#4) and drawer support rail (#8). Secure by using bolts (#G).



- #G x 1pc
- #I x 1pc
- #J x 1pc
- #N x 1pc

Prepare 1 bolt assembly by inserting lock washer (#I), then flat washer (#J) onto bolts (#G). Align drawer support leg (#14) to the back hole of the drawer support rail (#8), then secure by using bolts (#G). Attach adjustable leveler (#N) to the bottom of the support leg (#14), then adjust leveler according to ground level.



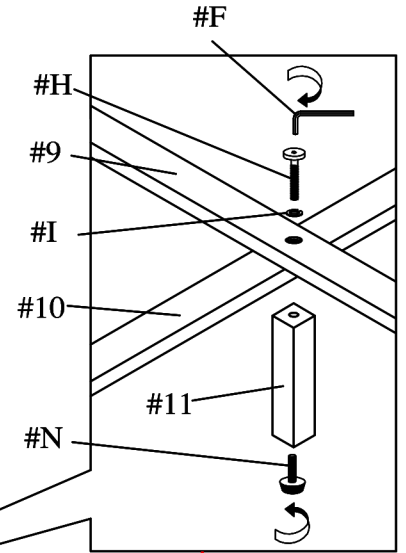
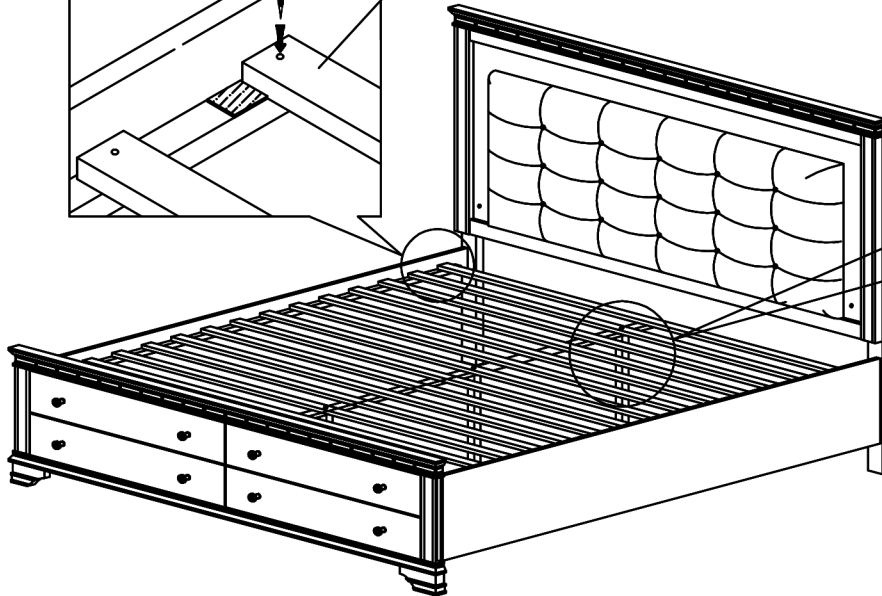
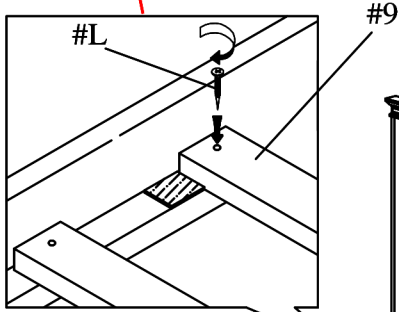
Insert the (#6) Drawer to the (#4) Footboard.

Align and connect the rails of the drawer base to the drawers.



#H x 3pcs  
 #I x 3pcs  
 #N x 3pcs  
 #L x 26pcs

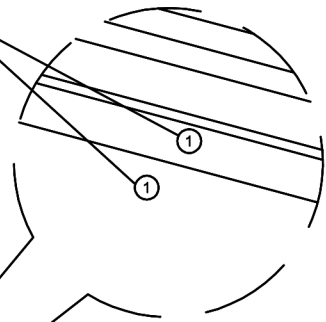
1) Align slats (#9) to the side rails, then secure by using screws (#L).



2) Prepare 3 bolts assembly by inserting washer (#I) onto bolts (#H). Attach levelers (#N) onto the support legs (#11) and adjust leveler according to ground level. Align center slat (#10) and support legs (#11) to slats (#9) holes, then secure by using bolts (#H).

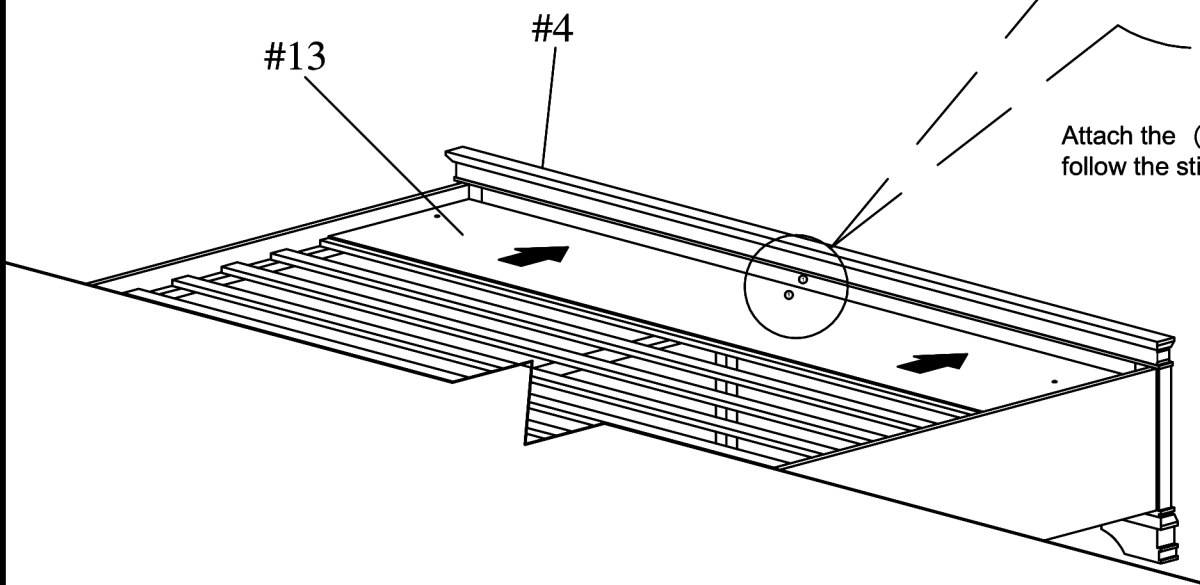


Sticker Number



#13 #4

Attach the (#13) Slat Cover Panel follow the sticker number



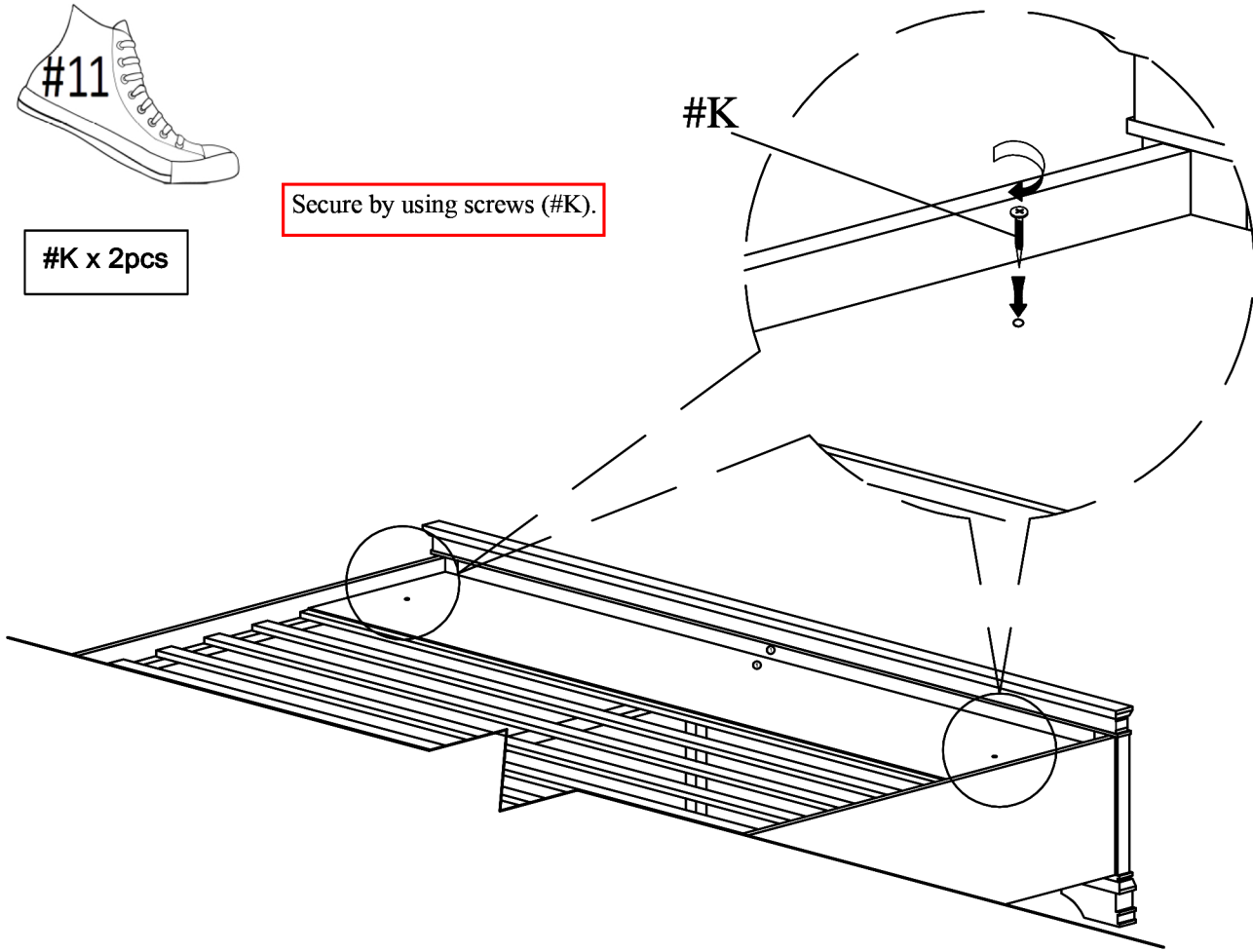


#11

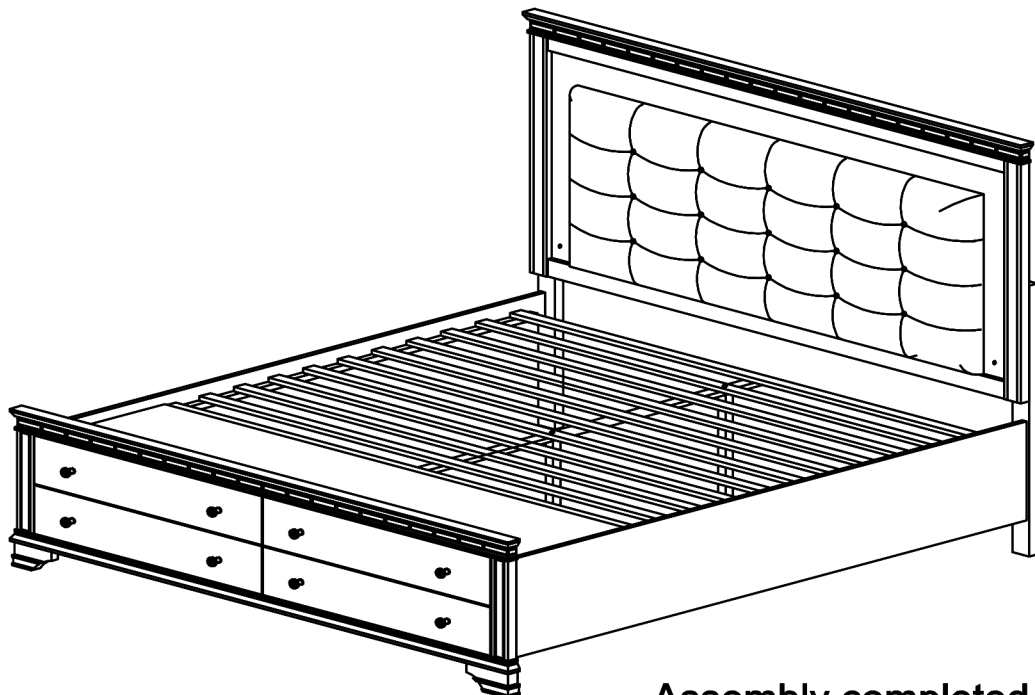
Secure by using screws (#K).

#K x 2pcs

#K



#12



Assembly completed.