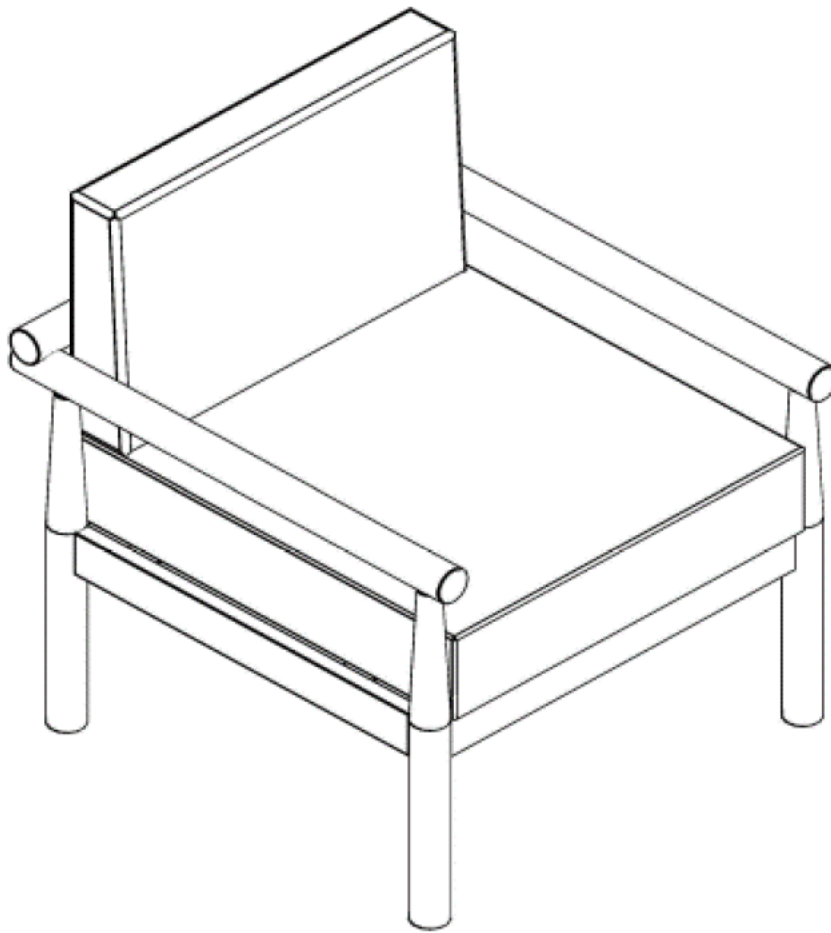


# Assembly Instructions

**Caution: You must read this before you proceed**

**Please look in the Leg for hardware packs**

## **CHAIR**





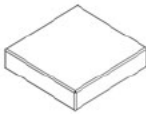
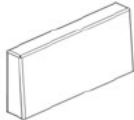


**CAUTION: This Chair is NOT a TOY.**



Keep your child / children at bay during the assembly process.

Whenever lifting or moving the Chairs and to prevent damage to the Chair, two adults may be needed to execute these actions.

## Parts List

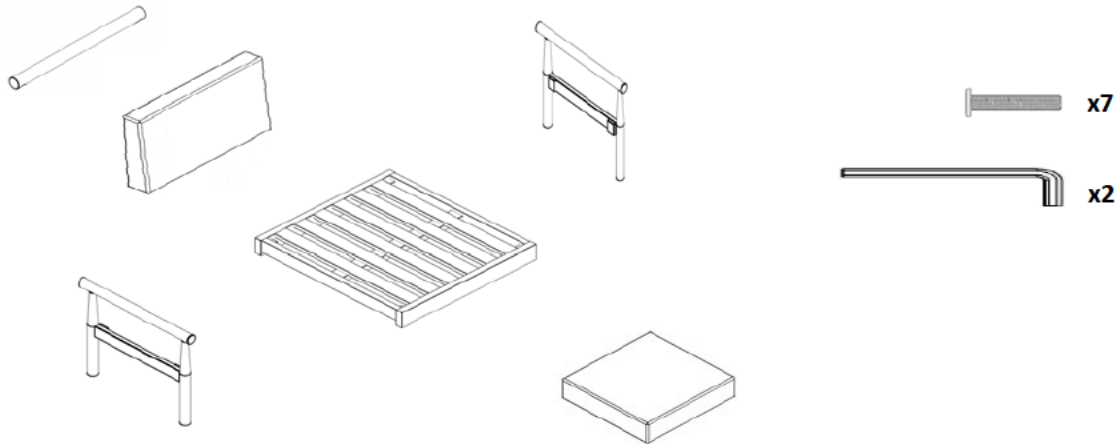
Label	Picture	Description	QTY
A		Backrest Panel	1
B		Seat Panel	1
C		Right Arm with Leg	1
D		Left Arm with Leg	1
E		Seat Cushion	1
F		Back Cushion	1






## Hardware

Label	Picture	Description	QTY
①		Bolt (M6 X 60mm)	7
②		Allen Wrench	2

## Assembly Preparation

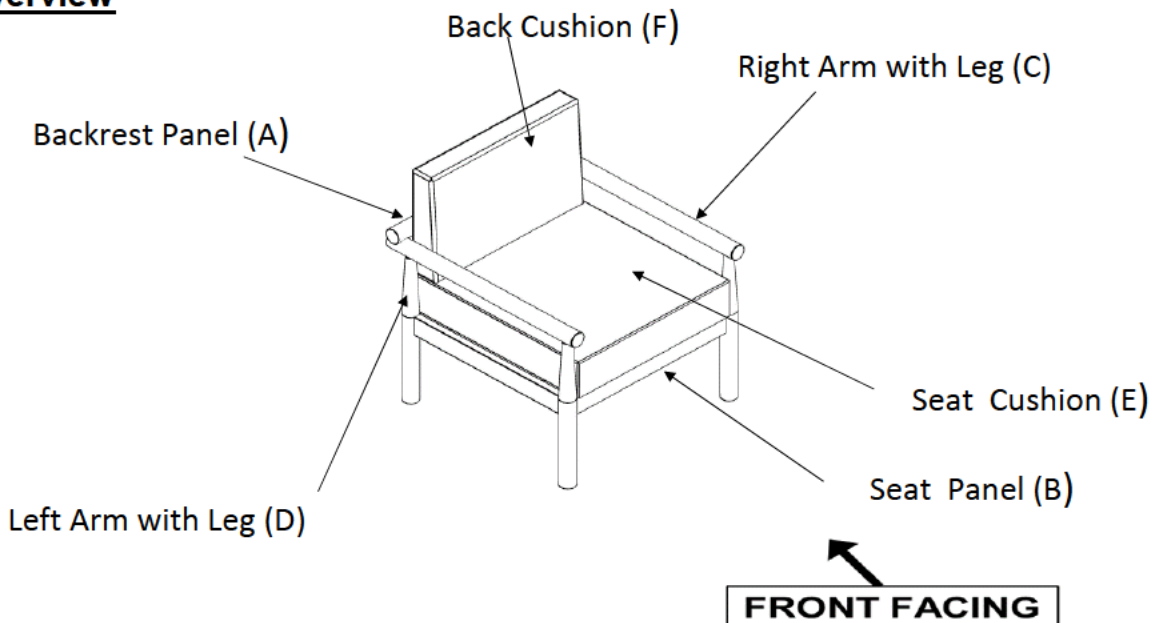
### Before Beginning Assembly:



-  • Read instructions, cover to cover-
-  • Have 2 adults on hand for assembly-
-  • Do not assemble on flooring or carpet-
-  • Assemble on a clean non-marring surface (packing foam)-
-  • Save all packaging until finished-

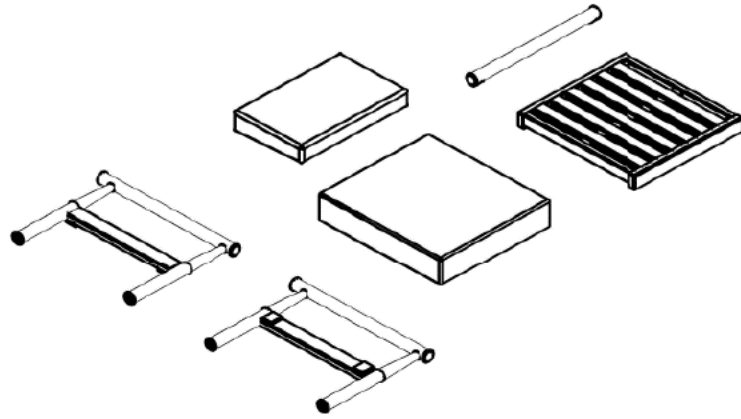
## Assembly Steps

### Overview



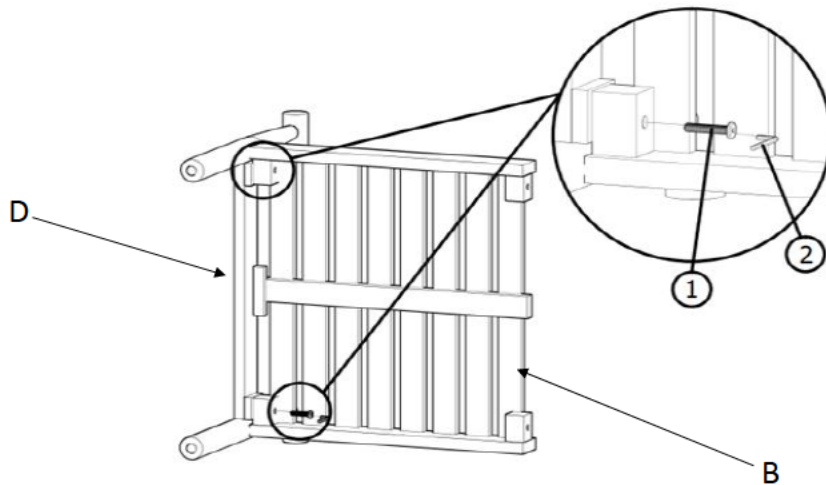
This Chair has multiple parts and may require up to 30 minutes to assemble. To give you an overview of the Chair, the above picture is to help you put the various parts into perspective. Please read through the instructions below to familiarise yourself with the parts and steps before assembly.

## Step 1



Unpack and place all parts on a clean, non-marring surface.

## Step 2

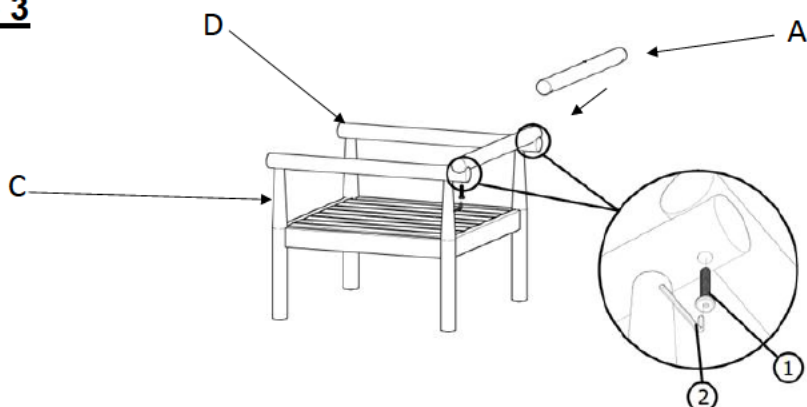


With the help of your adult partner, attach the Left Arm with Leg(D) to the Seat Panel(B) using Bolts(①) and the Allen Wrench(②) as shown above.

Repeat the same process with the Right Arm with Leg(C).

**Do not fully tighten the Bolts.**

## Step 3

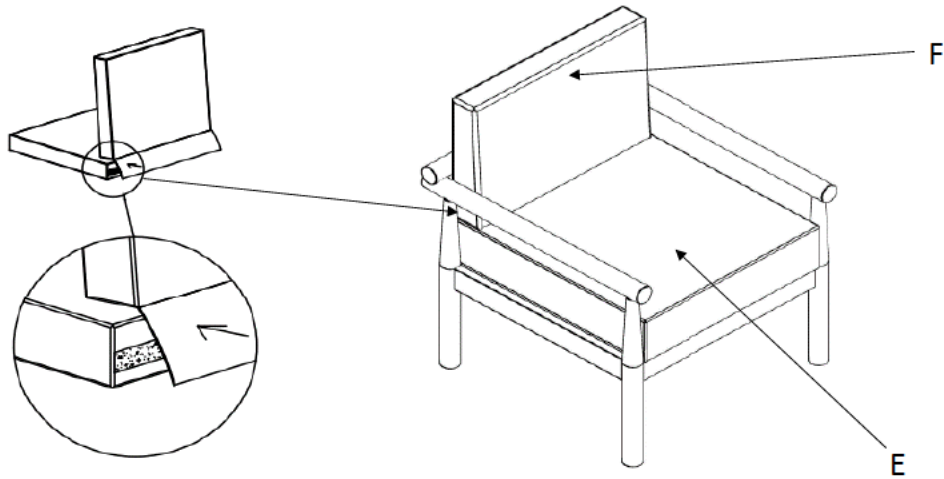


With the help of your adult partner, turn the assembled part on step 2 right side up.

Attach the Backrest Panel(A) into the Right Arm with Leg(C) and the Left Arm with Leg(D) of the assembled part in step 2, using Bolts(①) and the Allen Wrench(②) as shown above.

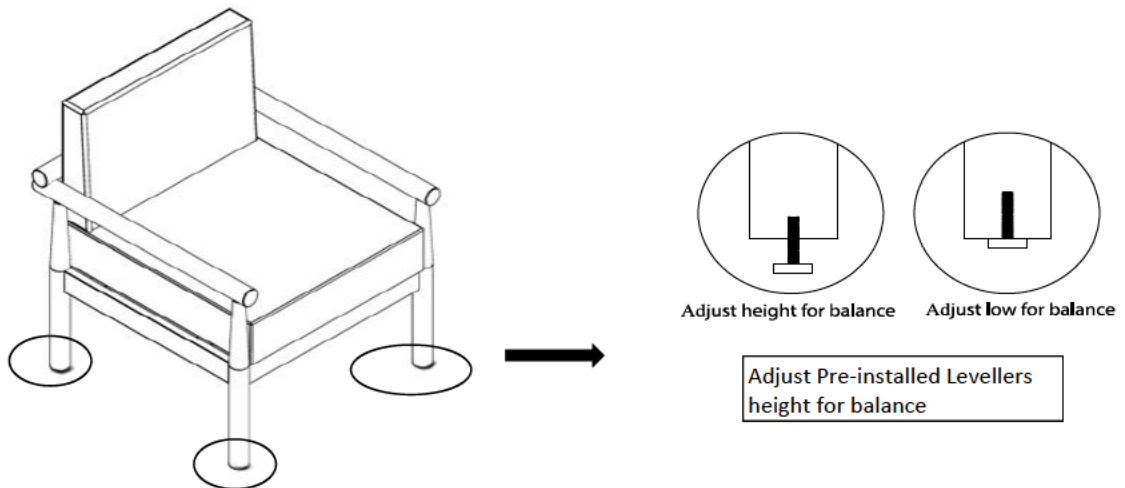
**Do not fully tighten the Bolts.**

## **Step 4**



Place the Seat Cushion(E) and the Back Cushion(F) onto the Chair as shown above.  
Connect the Back Cushion(F) to the Seat Cushion(E) as shown above.

## **Step 5**












Place the Chair on a **LEVEL SURFACE**.  
Inspect it and make sure all parts are adequately connected.  
Gently and gracefully, sit on the Chair.  
This will help align all the parts at all joint areas.  
Then get off the Chair and proceed to tighten the Bolts in a sequential manner.  
When tightening the Bolts tighten sequentially.  
**DO NOT** tighten any Bolt fully and then move on towards the next one.  
If there are any wobbles after tightening, loosen the Bolts and execute this same process.

Adjust the Levellers until the Chair is level with the ground.  
To adjust the Levellers, get assistance from an adult partner to lift/lean and hold the Chair while you are working.

**Your Chair is ready to be used.**

**This Chair can only be used on a flat, level surface.**

## Care & Maintenance

- ⊗  ● Do not put hot items directly on furniture surface.
- ⊗  ● Do not clean furniture with harsh cleansers or polish.
- ✓  ● To obtain the longest lifespan of your outdoor products, minimizing exposure to direct sunlight is recommended.
- ⊗  ● Children should not climb or jump on the furniture.
- ⊗  ● Do not write on furniture without a padded barrier to protect the surface.
- ✓  ● To obtain the longest lifespan of your outdoor products, avoid extended and lengthy exposure to rain, snow, and direct sunshine. Whenever possible cover the product and /or place under patio or awnings.
- ⊗  ● Not for commercial use. For residential use only.
- ⊗  ● Stains may be removed with mild soap solution and damp cloth.
- ✓  ● Dust and pick-up spills using a clean, non-colored, lint-free cloth .