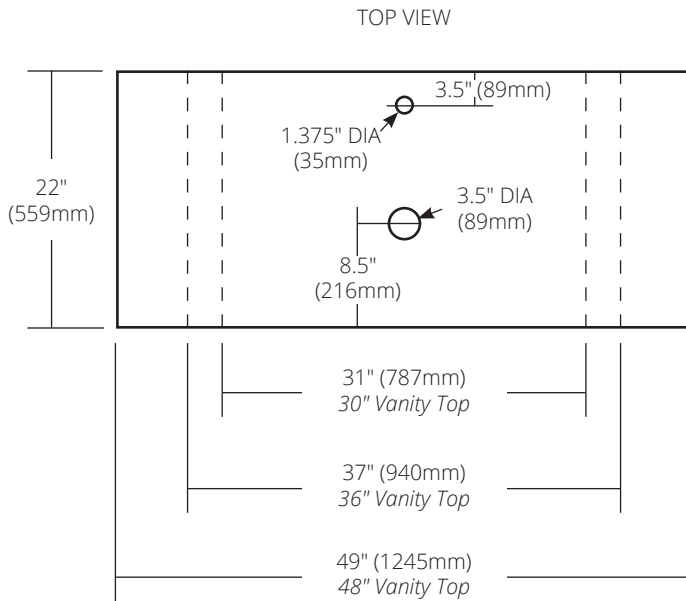


SPECIFICATIONS

**CARRARA MARBLE VANITY TOP**  
ALL SIZES - VESSEL WITH SINGLE FAUCET HOLE



**30" Vanity Top**

31"w x 22"d x .75"h (787mm x 559mm x 19mm)  
VNT30-CV1

**36" Vanity Top**

36"w x 22"d x .75"h (940mm x 559mm x 19mm)  
VNT36-CV1

**48" Vanity Top**

49"w x 22"d x .75"h (1245mm x 559mm x 19mm)  
VNT48-CV1

**PRODUCT DETAILS**

- Lightly polished Italian marble
- Pre-drilled with singlet faucet hole

**COORDINATING PRODUCTS**

- Pairs with most vessel sinks
- Drains: DR120, DR130 or DR150

**IMPORTANT**

Due to the handcrafted nature of this product, it will vary in finish, texture, and other details. Dimensions may vary up to ¼" (6mm).