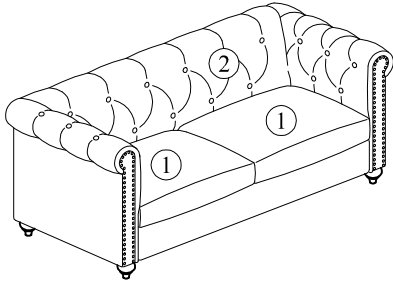


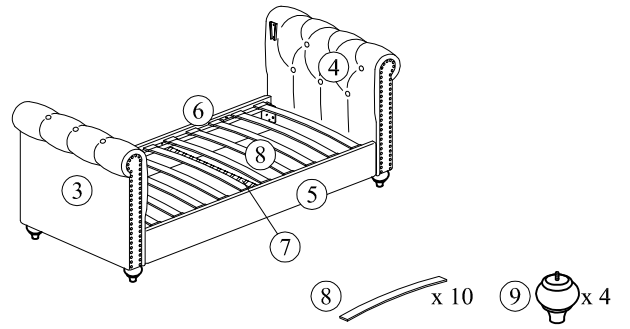
ASSEMBLY INSTRUCTION

CUSHION LIST



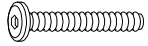
SOFA

PART LIST

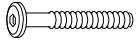


HARDWARE LIST

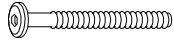
A) M8 x 50 8PCS



B) M6 x 50 2PCS



C) M6 x 80 2PCS



D) M5 ALLEN KEY 1PC



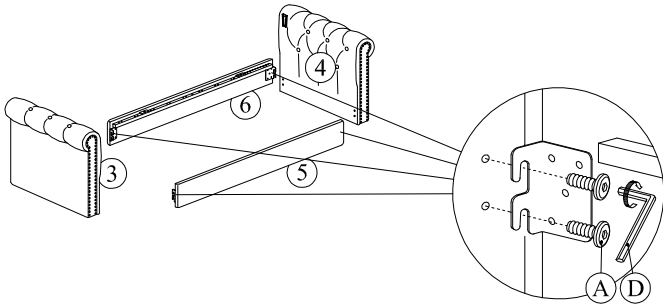
E) M4 ALLEN KEY 1PC



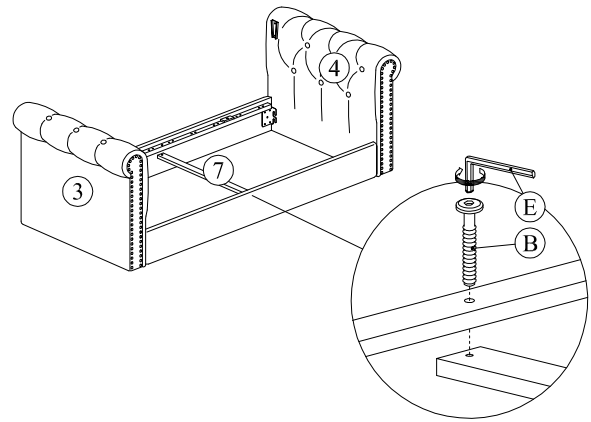
F) CAP 20PCS



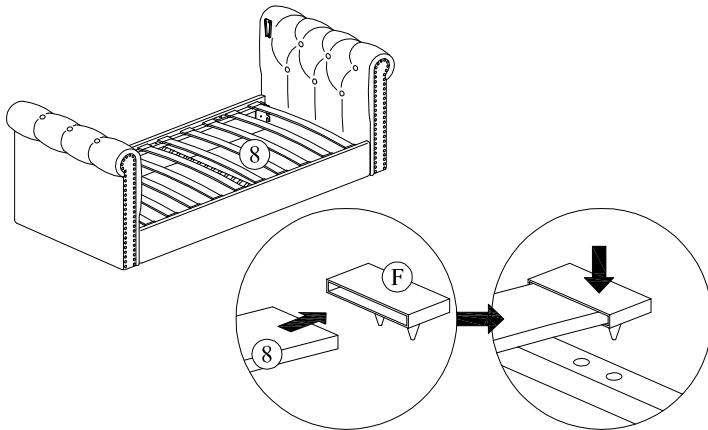
STEP 1



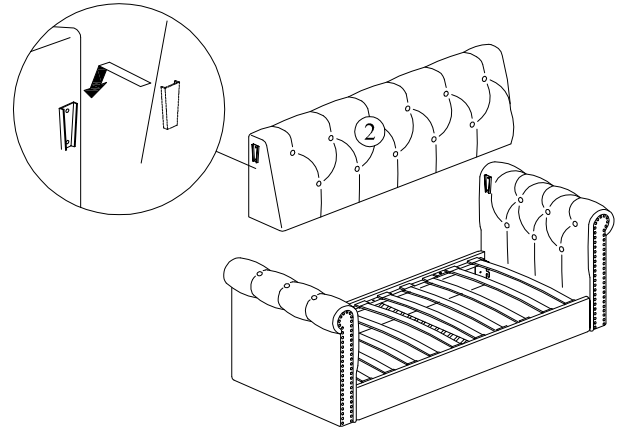
STEP 2



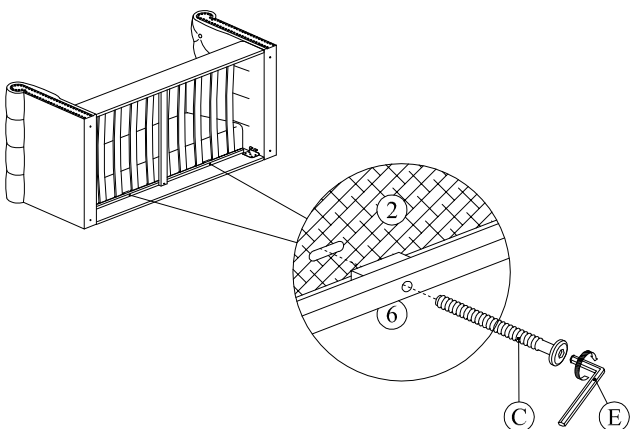
STEP 3



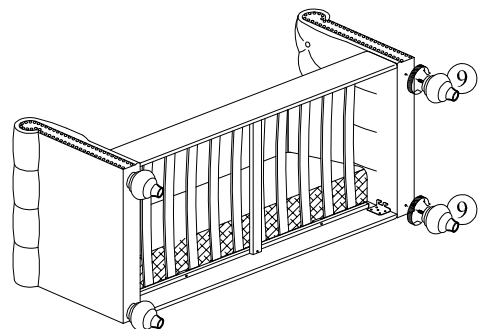
STEP 4



STEP 5



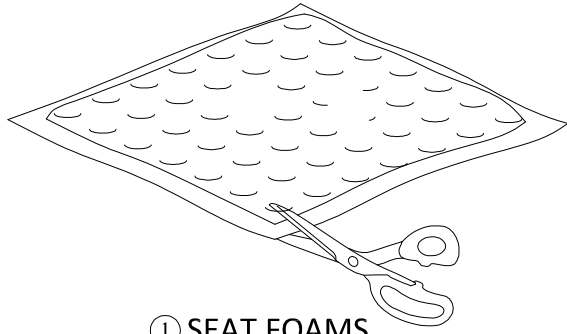
STEP 6



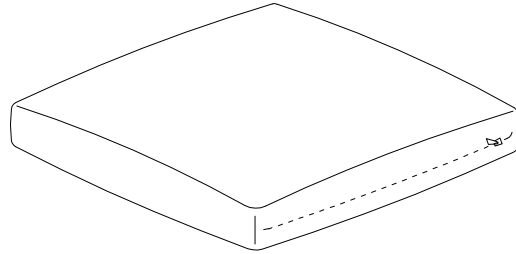
ASSEMBLY INSTRUCTION

STEP 7

Cut the vacuum packed (1) Seat Foams carefully and fluff all cushions to allow them to be filled. Put the (1)Seat Foams into the Seat Foam Covers before place them on the sofa .



① SEAT FOAMS



SEAT FOAM COVERS

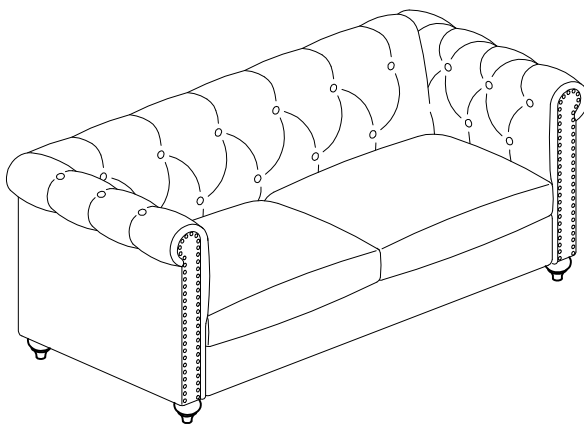
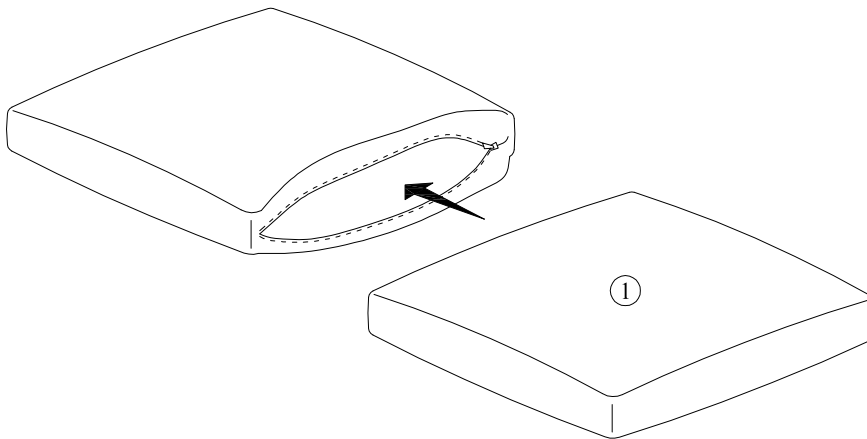


DIAGRAM 1



DIAGRAM 2

ATTENTION:

To close the zipper, please follow diagram 1. Failure to follow this could result in damage to the zipper.