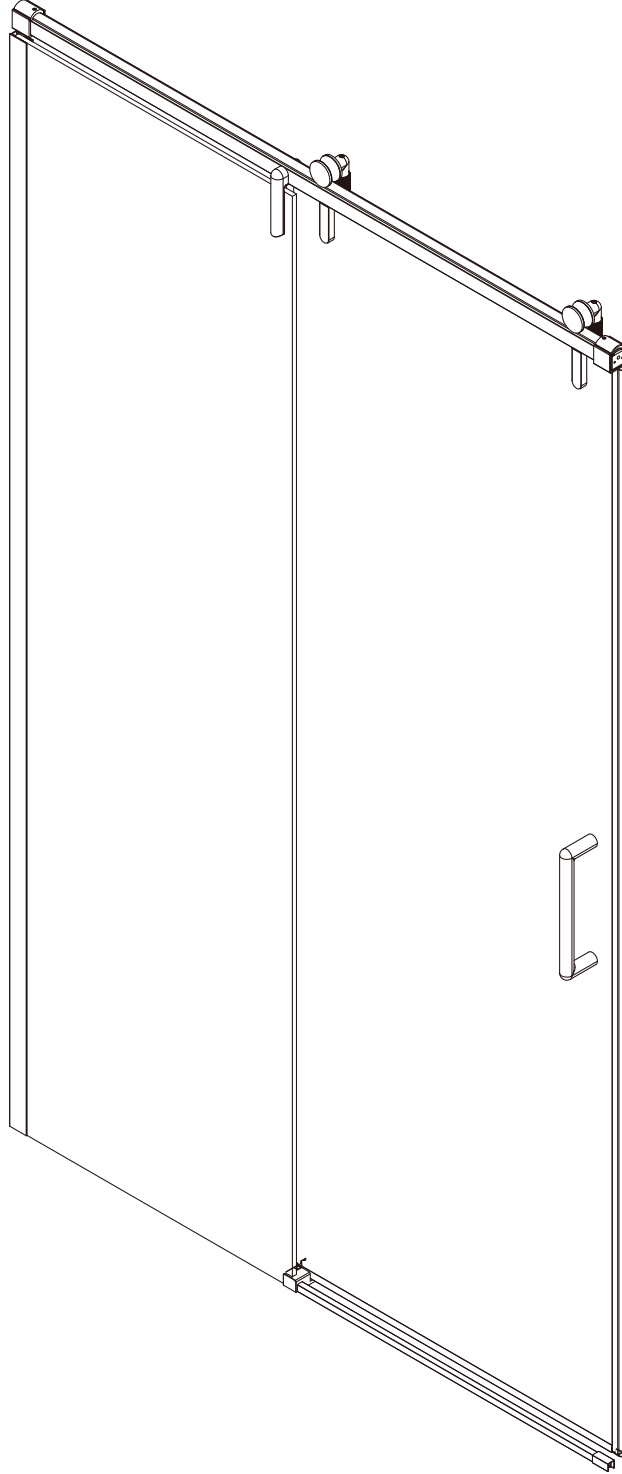


Sliding Shower Door Installation Instructions



Scan the QR code to
watch the installation video

CONTACT US

Thank you for purchasing our products!

We're delighted to enhance your living space with our offerings.


If you encounter any issues or have questions during installation or usage, don't hesitate to reach out. Our dedicated support team is available 24/7 to assist you and ensure your complete satisfaction.


 Email: BM@ZRSupport.com  Phone: 1 - 888 - 204 - 3326


 Online Support: [ZRSupport](#)


★ IMPORTANT SAFETY NOTICE


Before you start the installation, take the time to read these instructions thoroughly.

 When drilling into walls, exercise extreme caution to avoid hitting any hidden pipes or electrical wires.

 Remember, due to its weight, it's best to have two people for the installation process.

 Risk of serious injury. Do not cut tempered glass. Tempered glass will shatter if cut.

 Risk of serious injury. Always wear safety glasses while cutting and drilling.

 Risk of personal injury. Tempered glass should not contact hard surfaces or the glass may shatter. Do not touch the edge of the tempered glass panel with tools or any hard objects.

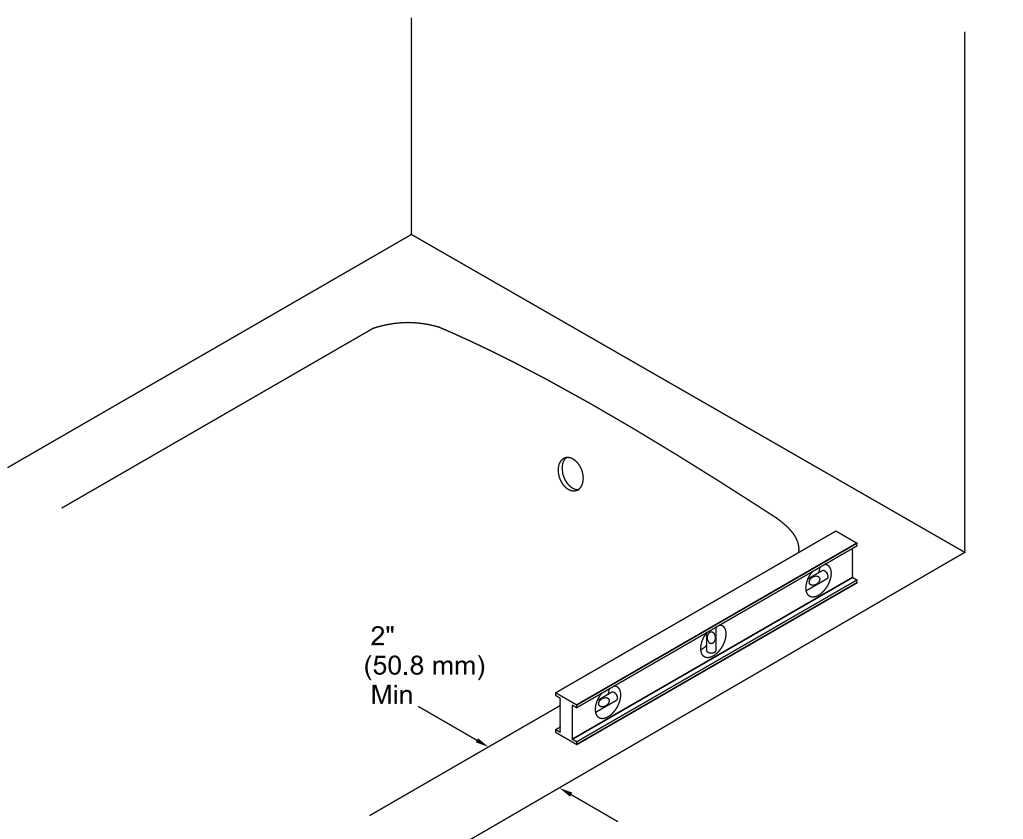
★ IMPORTANT SAFETY NOTICE

⚠ Risk of personal injury. Tempered glass may shatter. Wear long sleeves and protective clothing to prevent injury in the event of shattered glass.

⚠ Identify all parts before installation. Inspect for damage.

⚠ Follow the instructions applying 100% silicone sealant for the door. Sealing areas other than those shown in the installation instructions may cause leaking.

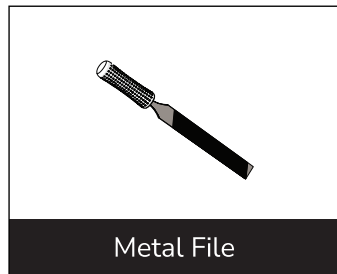
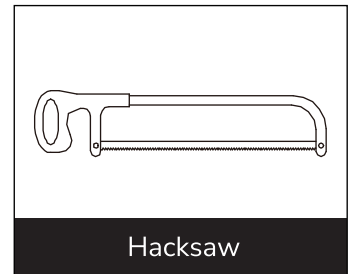
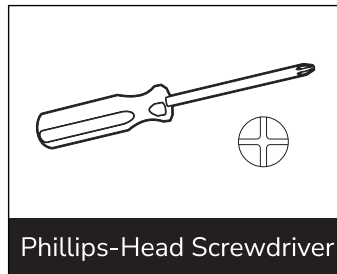
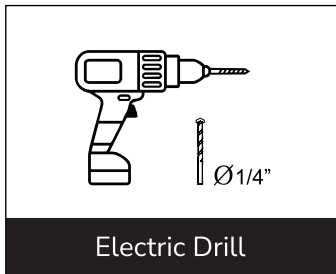
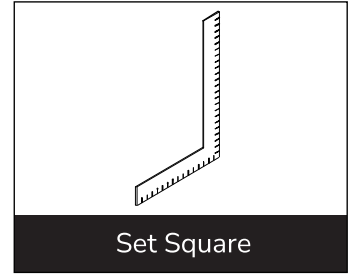
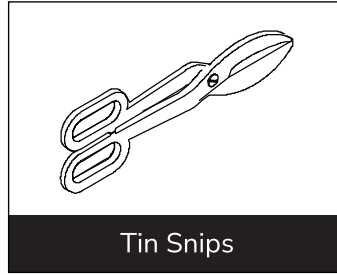
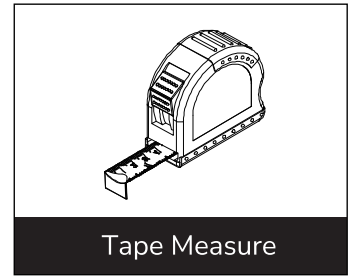
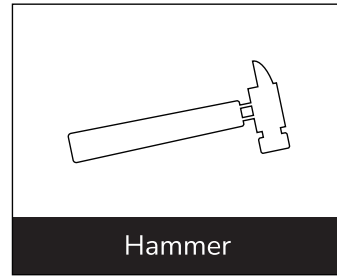
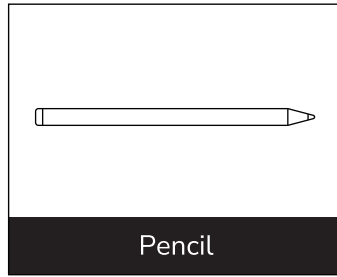
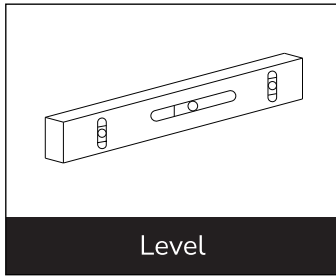
⚠ The threshold shall be level and have a minimum depth of 2 inches.



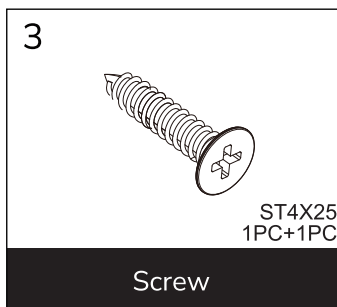
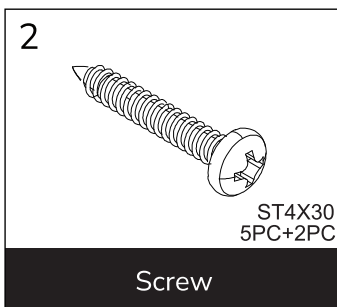
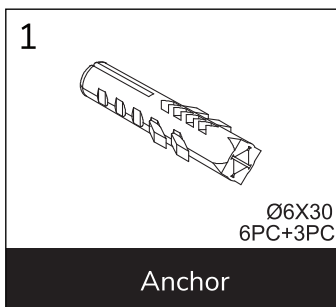
If you encounter any problems, feel free to drop us an email at

BM@ZRSupport.com

TOOLS REQUIRED



ACCESSORIES LIST

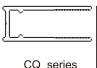


A

Positioning Plate

Make a remark in wall, and then drilling holes.

Align the plate with the profile edge

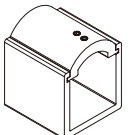


CQ series

1PC

Positioning Plate

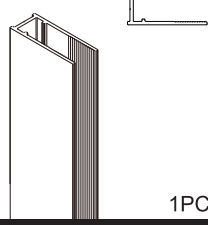
B



2SET

Header Cover

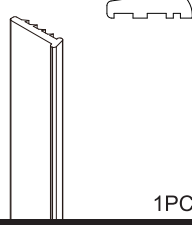
C



1PC

Fixed Panel Wall Jamb


D



1PC

Wall Jamb Seal


E



1PC

Fixed Panel Holder


F



1SET

Fixed Panel

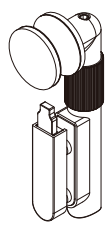
G



1SET

Sliding Panel

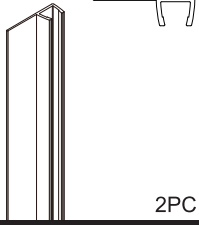
H



2SET

Roller

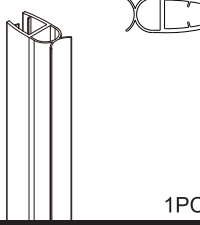
I



2PC

Shorter/Longer Wipe Seal


J



1PC

Bulb Seal

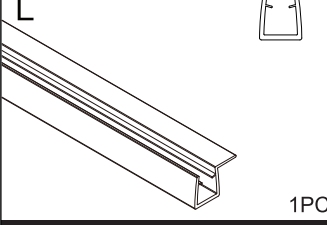
K



1PC

Handle

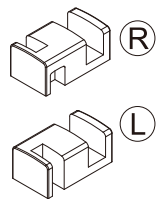
L



1PC

Bottom Seal

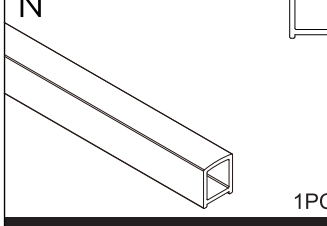
M



1+1PC

Centerguide

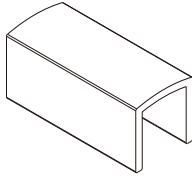
N



1PC

Threshold

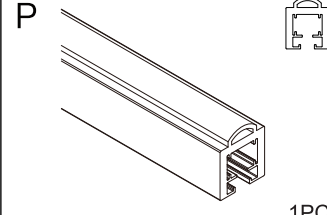
O



1PC

Threshold Cover


P



1PC

Header

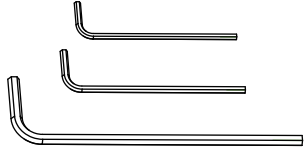
Q



1PC

Plastic Board

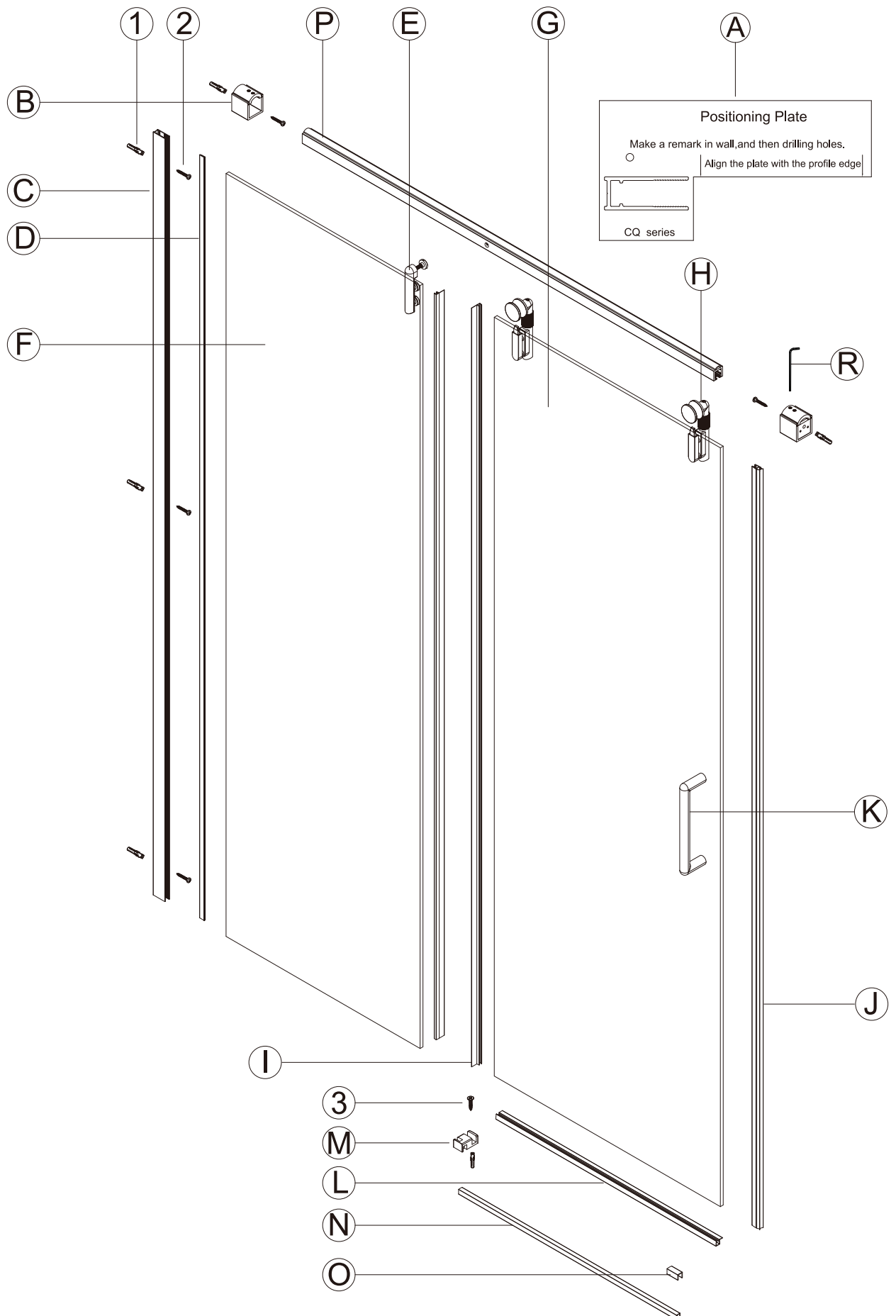
R



1+1+1PC

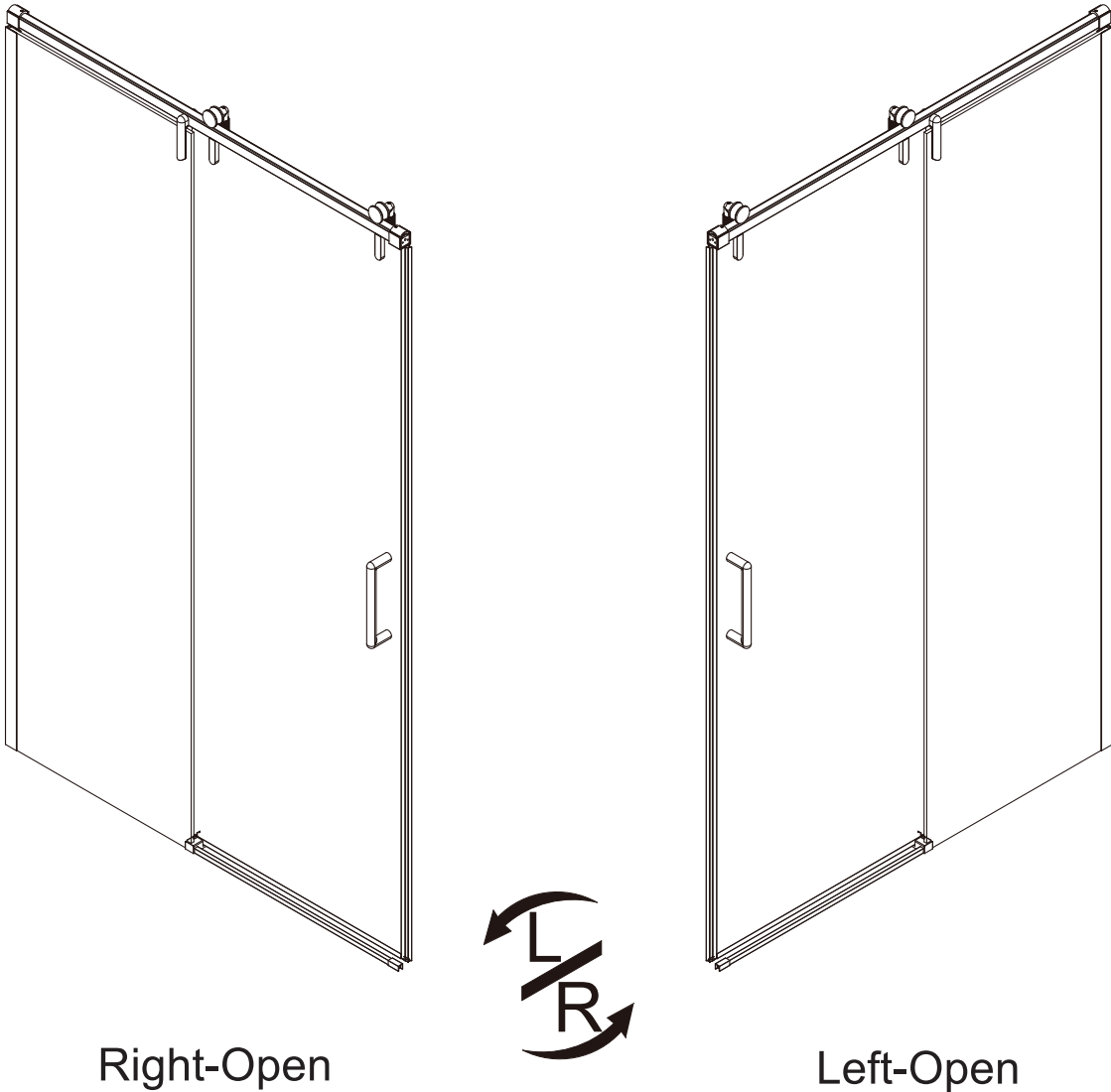
M4/M3/M2.5 Hex Wrenches

ASSEMBLY DRAWING



Before your start




Decide on the door - opening direction that suits your needs: right-open or left-open:

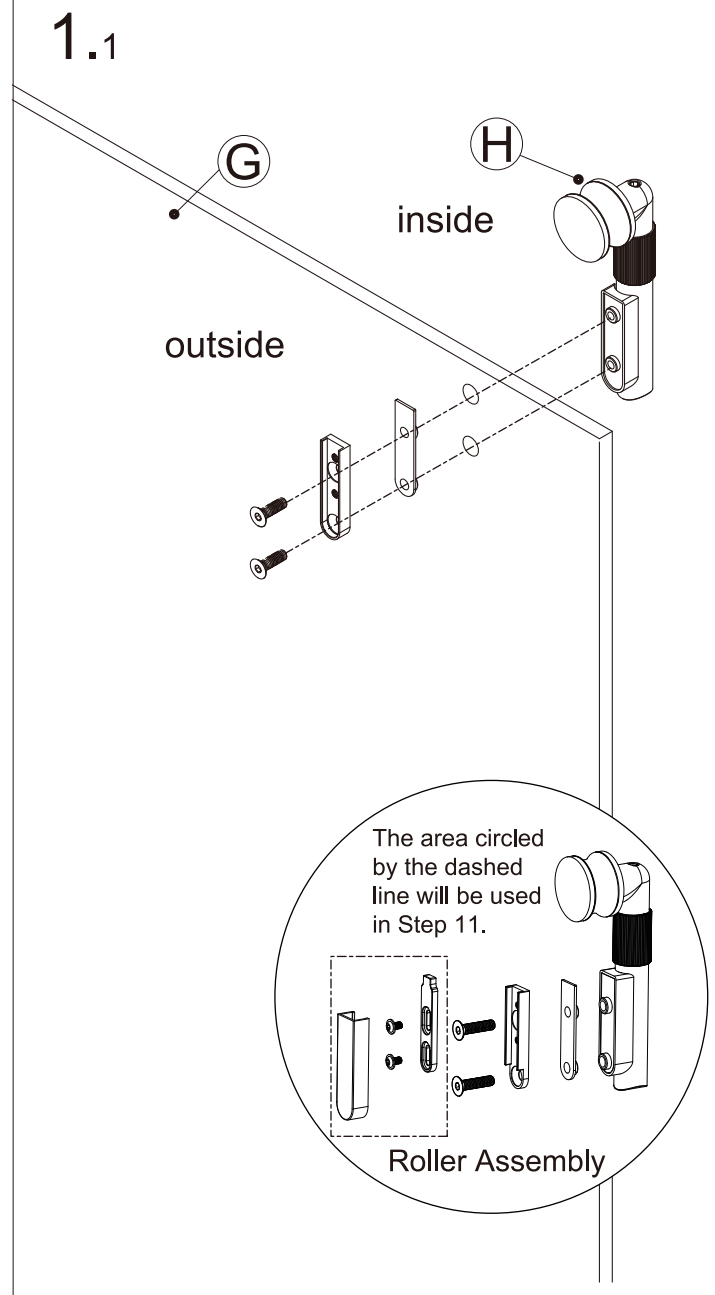
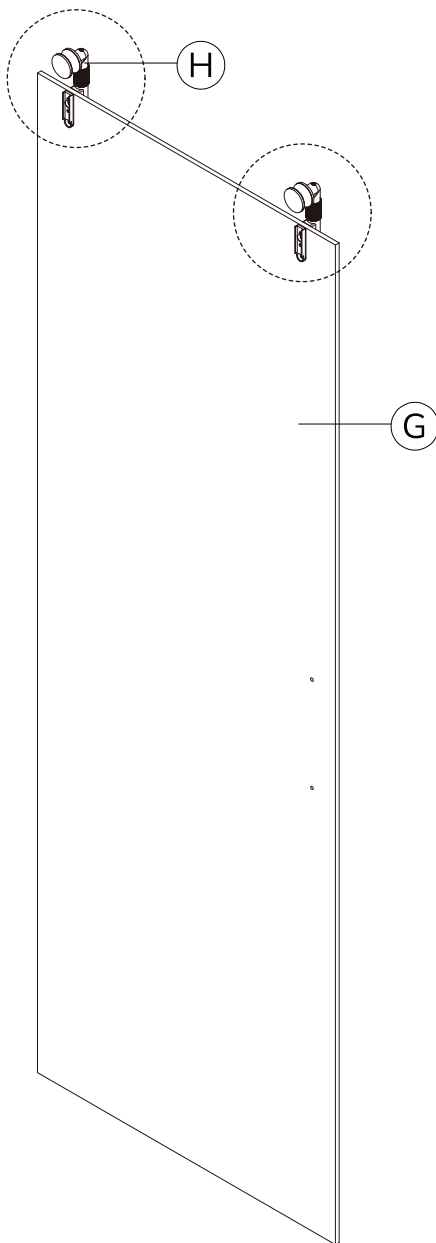


IMPORTANT! Right-Open configuration is shown in the installation steps unless otherwise indicated.


- Determine whether the door will be installed in a Right-Open or Left-Open configuration.
- Install the sliding panel on the same side of the shower as the showerhead.
- The outside fixed panel will be the furthest panel from the showerhead.

1




		
(G) x1	(H) x2	(R) x1

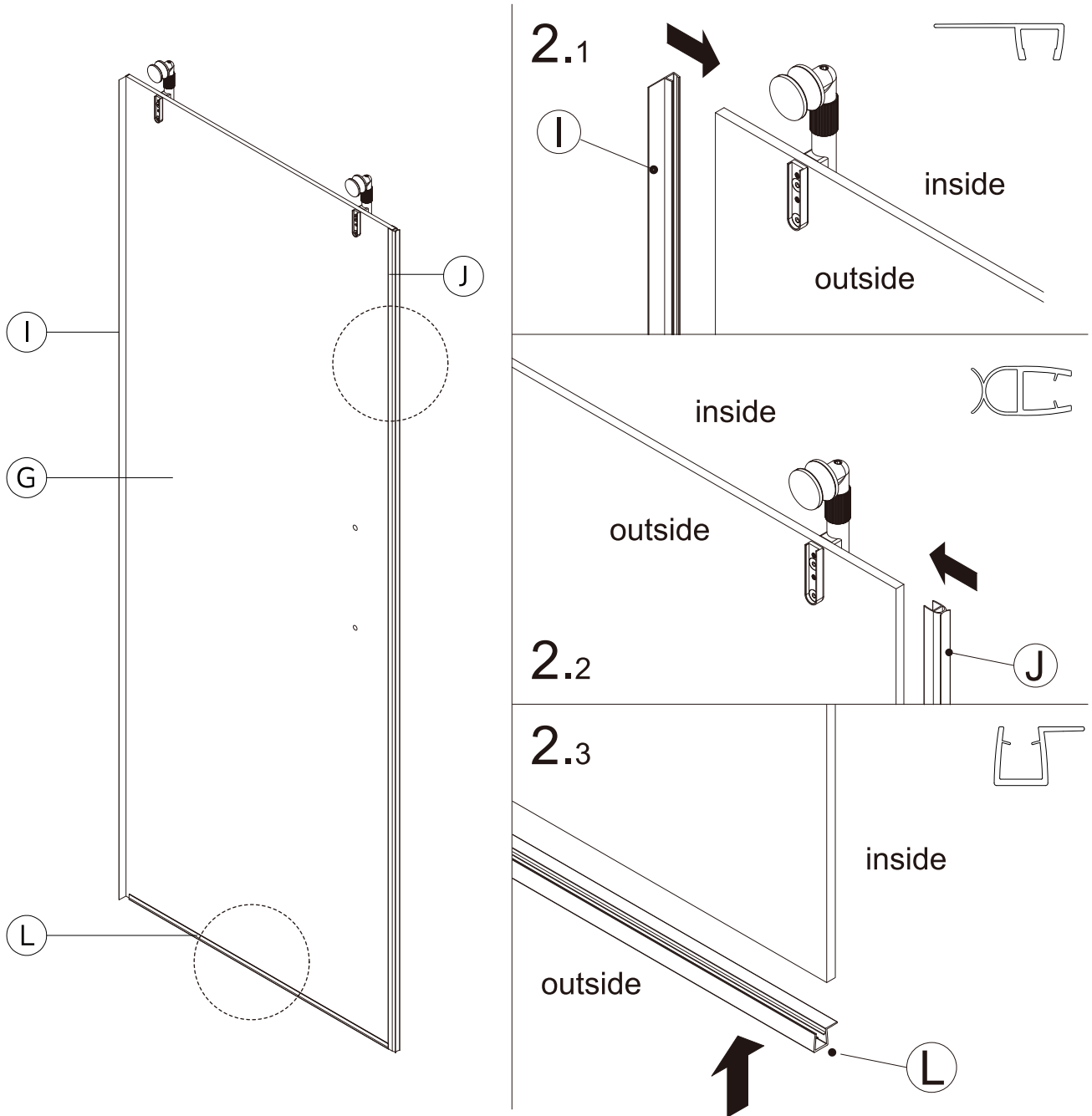


Install (H) according to the diagram.


 **Note:** This diagram illustrates a right opening door. Please note the opening direction of the glass door handle.

2




		
ⓐ x1(Longer)	ⓑ x1	ⓒ x1

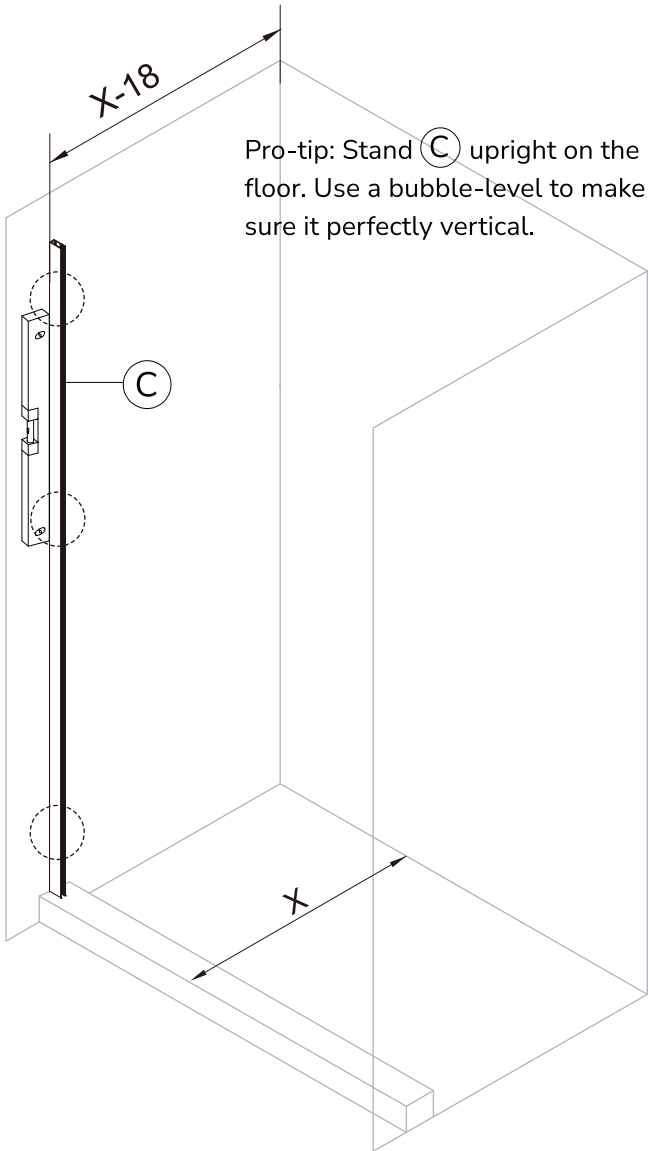


Install the seals (L), (J), (I) on the left, right and bottom side of the sliding panel (G). Place the sliding panel (G) inside the bathroom with a soft pad placed under its base.

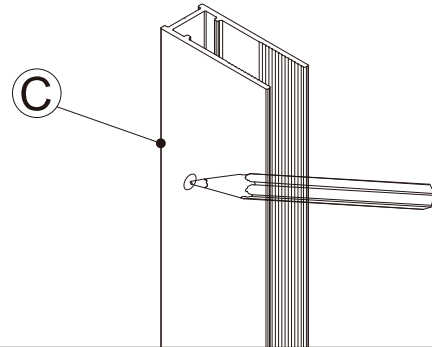
 Note: Take note of the seals direction.

3

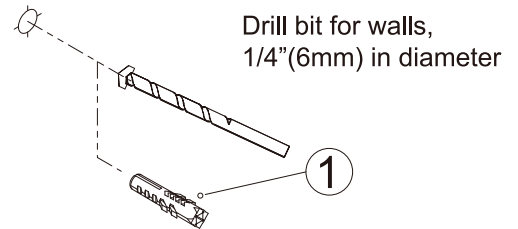
		
Ⓒ x1	① x3	② x3



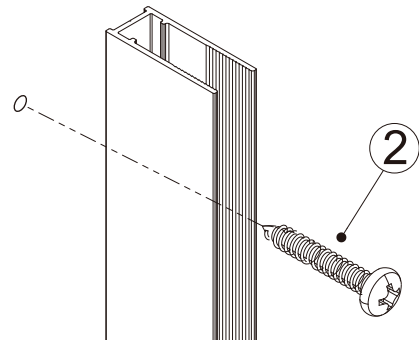
3.1



3.2



3.3




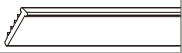

Mark the hole positions on the wall with a pencil. Using an electric drill, drill three holes (top, middle, and bottom) in the wall. Insert anchors ① into the holes, then secure Ⓒ to the wall using screws ② with the electric drill.

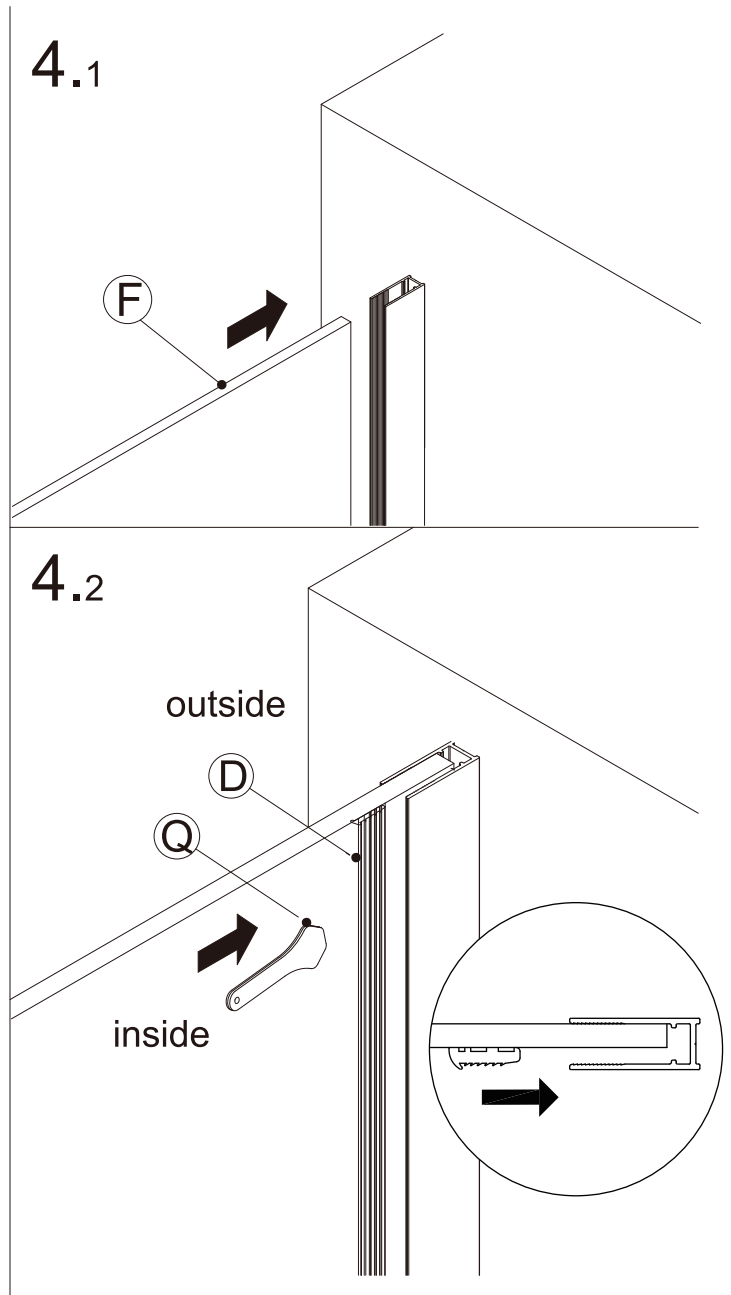
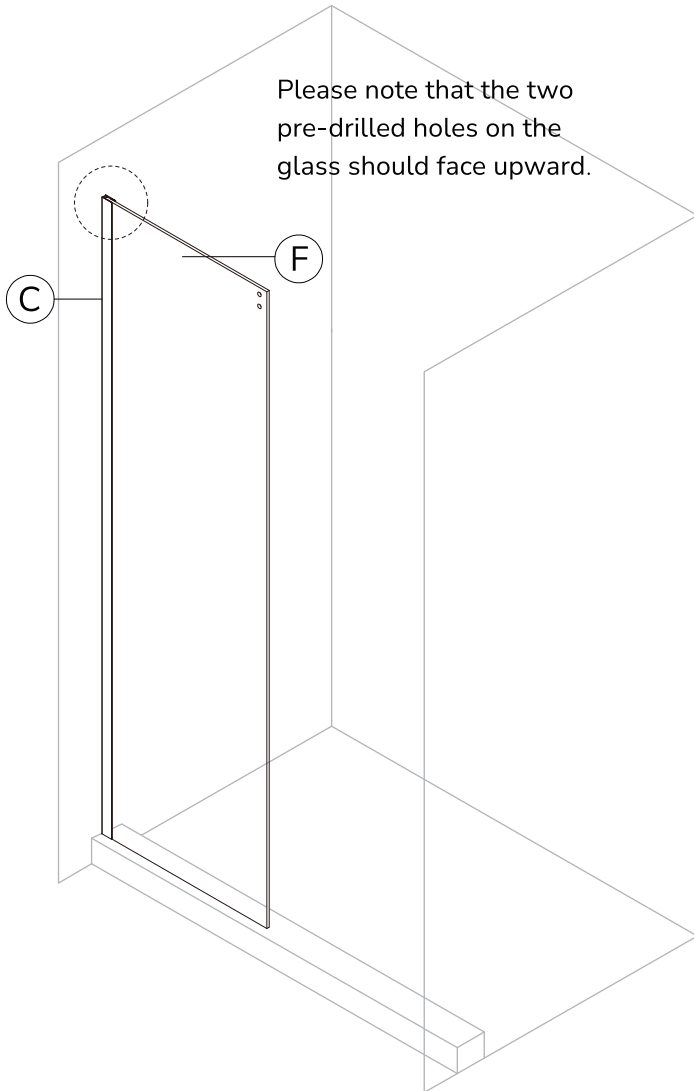


Tip:

1. Before installing the product, ensure that the shower tray are leveled, otherwise it will affect the installation and door damage.
2. Be sure all pilot holes are the correct size. Always use low torque and steady pressure when securing stainless steel screws to avoid stripping or breaking off the screw heads.

4

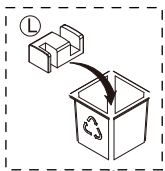
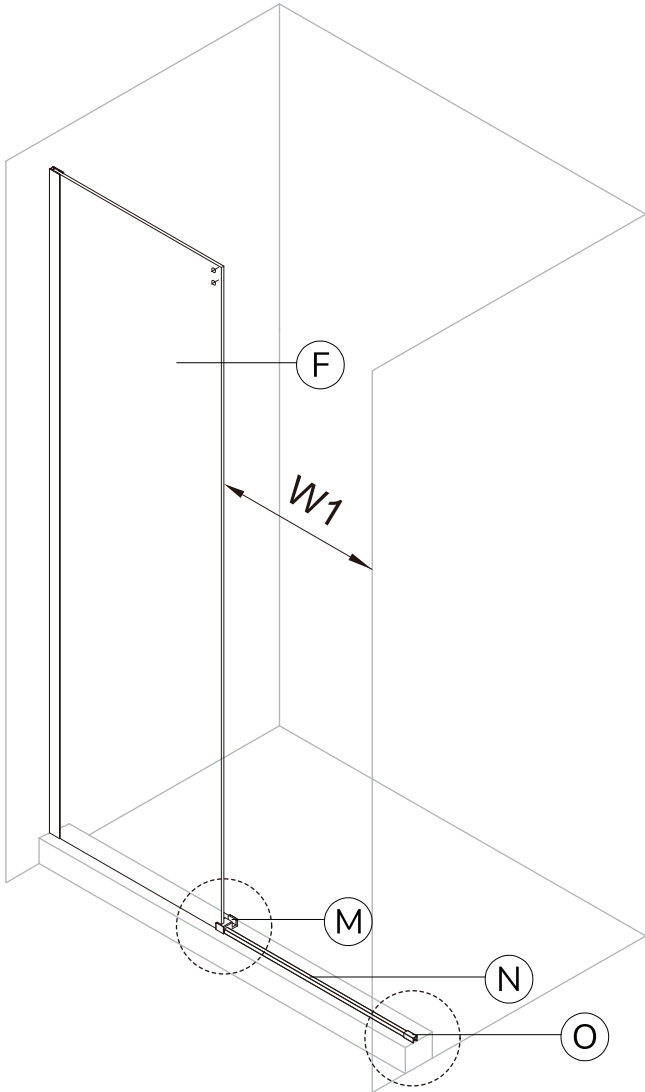
		
(F) x1	(D) x1	(Q) x1



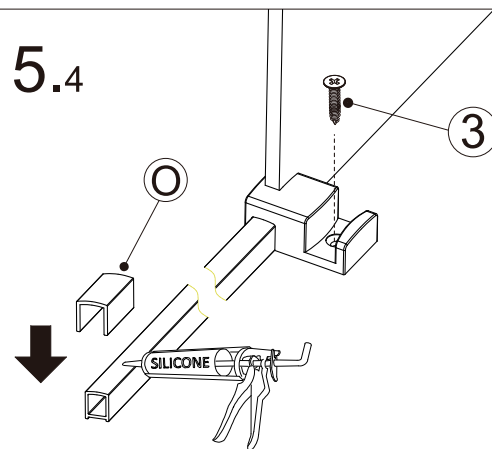
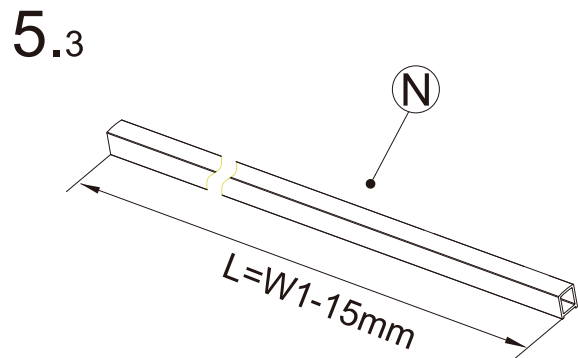
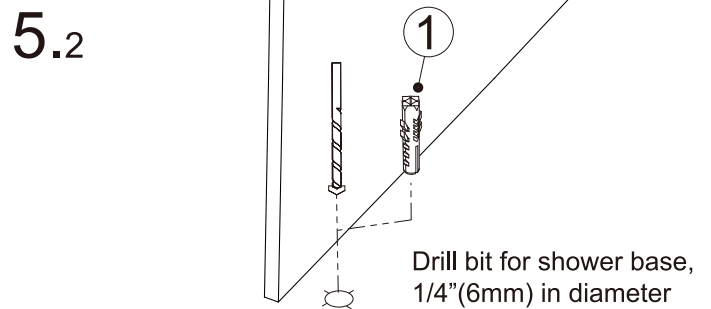
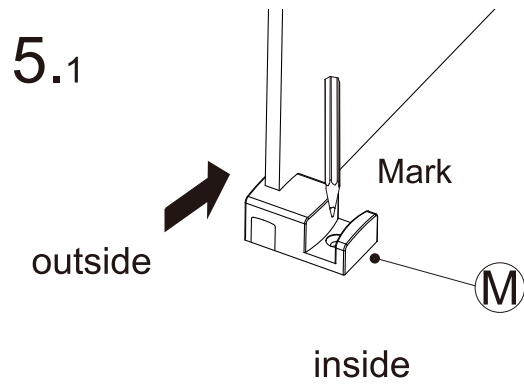
Insert fixed panel (F) into the fixed panel wall jamb (C) and push the wall jamb seal (D) into the glass gap using the plastic board (Q).

5

(M) x1+1	(N) x1	(O) x1	(1) x1
			(3) x1

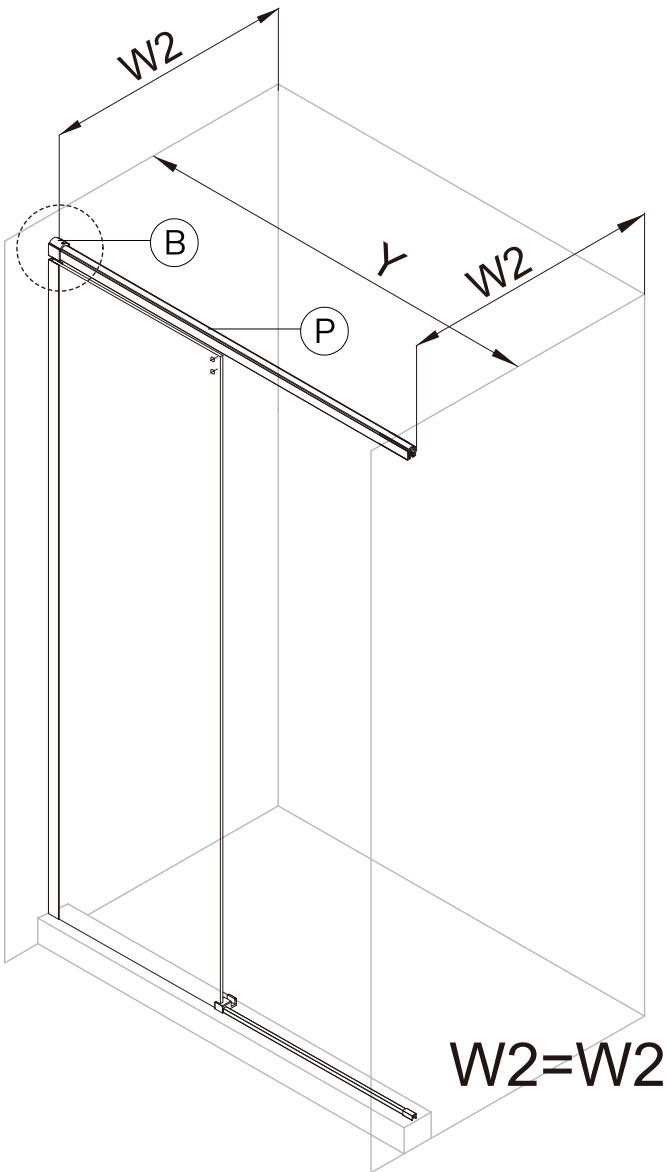


Please distinguish between the left and right centerguide during installation.

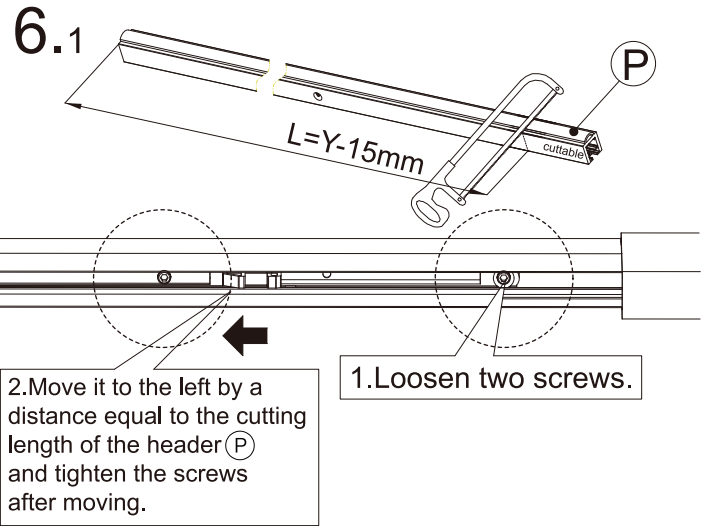


1. Mark the hole position on the ground with a pencil.
2. Using an electric drill, drill the hole in the ground. Insert anchor (1) into the hole.
3. Cut the threshold (N) to length(L). Peel off the adhesive strip at the bottom of (N), then snap (N) into (M), keeping it horizontally aligned with the fixed panel (F).
4. Secure (M) to the ground using screw (3) with the electric drill. Apply sealant to (O) and place (O) onto (N).

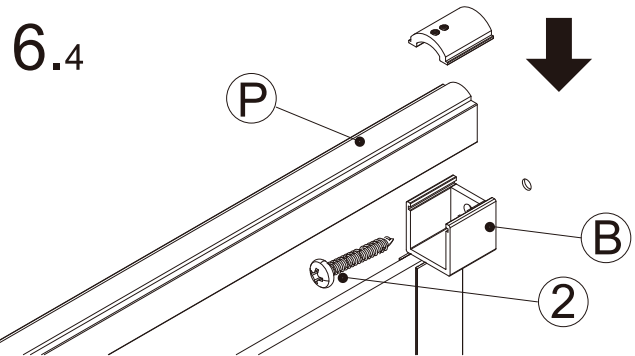
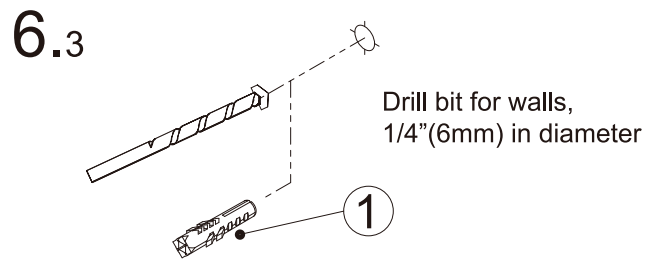
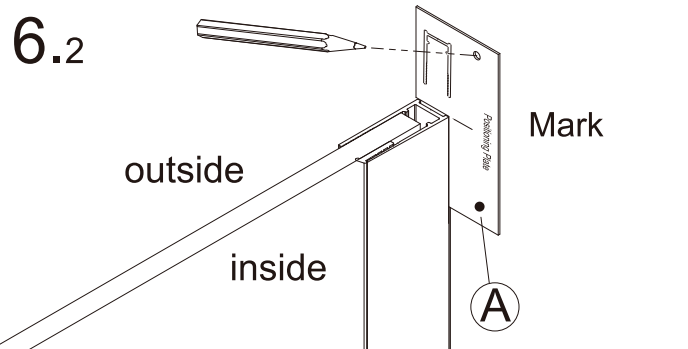
6



(A) x1	(B) x1	(1) x1
(2) x1	(P) x1	







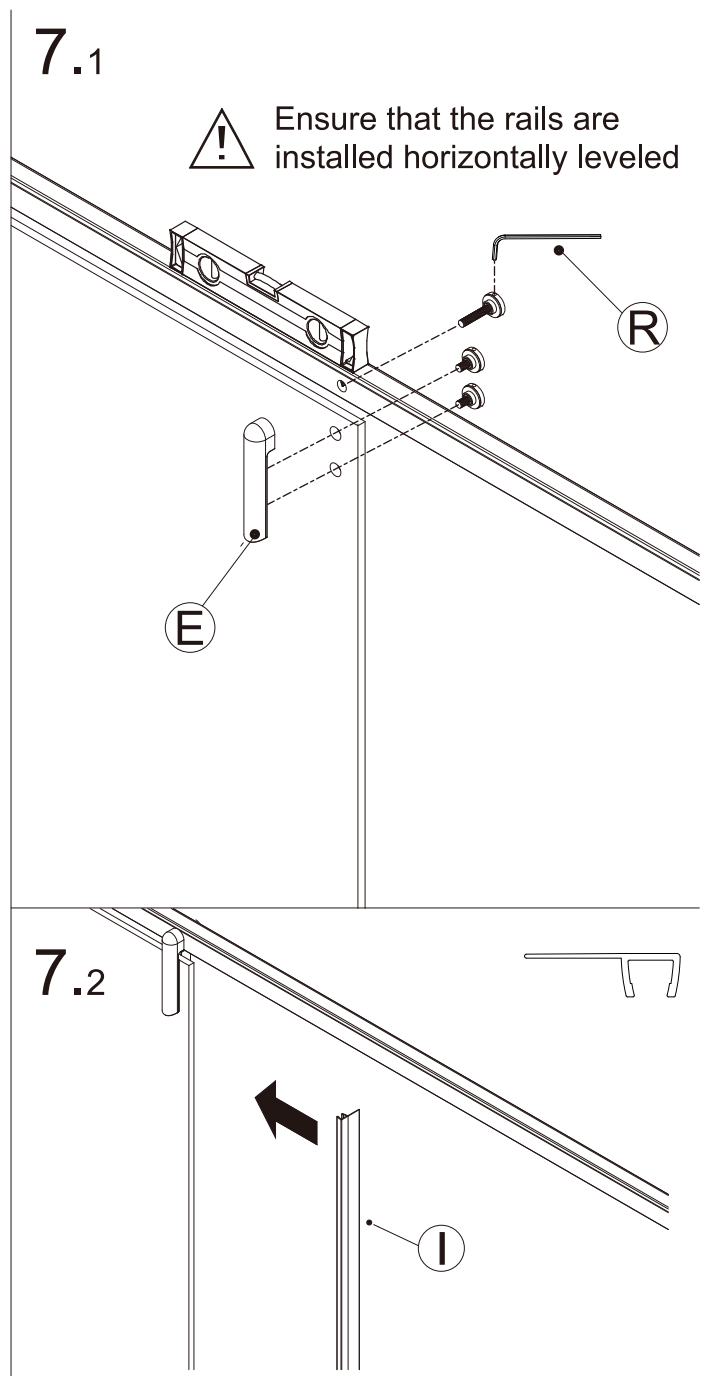
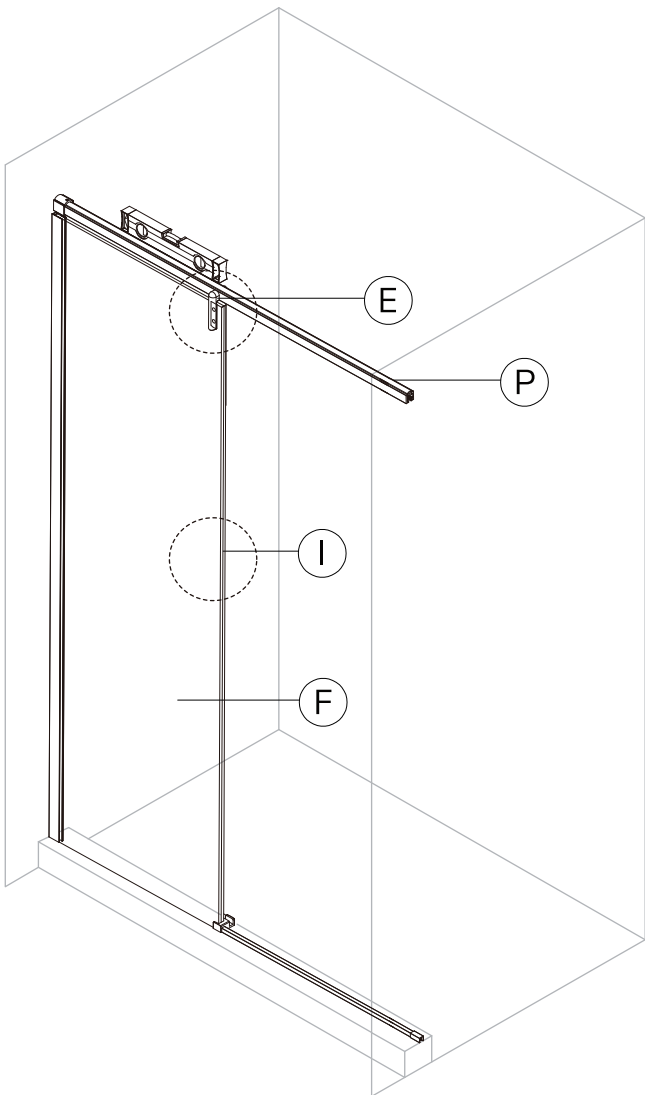
- ⚠ If cutting is required:
1. Adjust the buffer position as shown above.
 2. Cut the header (P) to length (L), ensuring the cut is made only from the end with the red paper.
- ⚠ If no cutting is required:
- No adjustment to the buffer is needed.



Cut the header (P) to length (L), then use positioning paper (A) for alignment. Mark the hole positions on the wall with a pencil. Using an electric drill, drill the holes in the wall. Insert anchors (1) into the holes, then secure (B) to the wall using screws (2) with the electric drill.






7

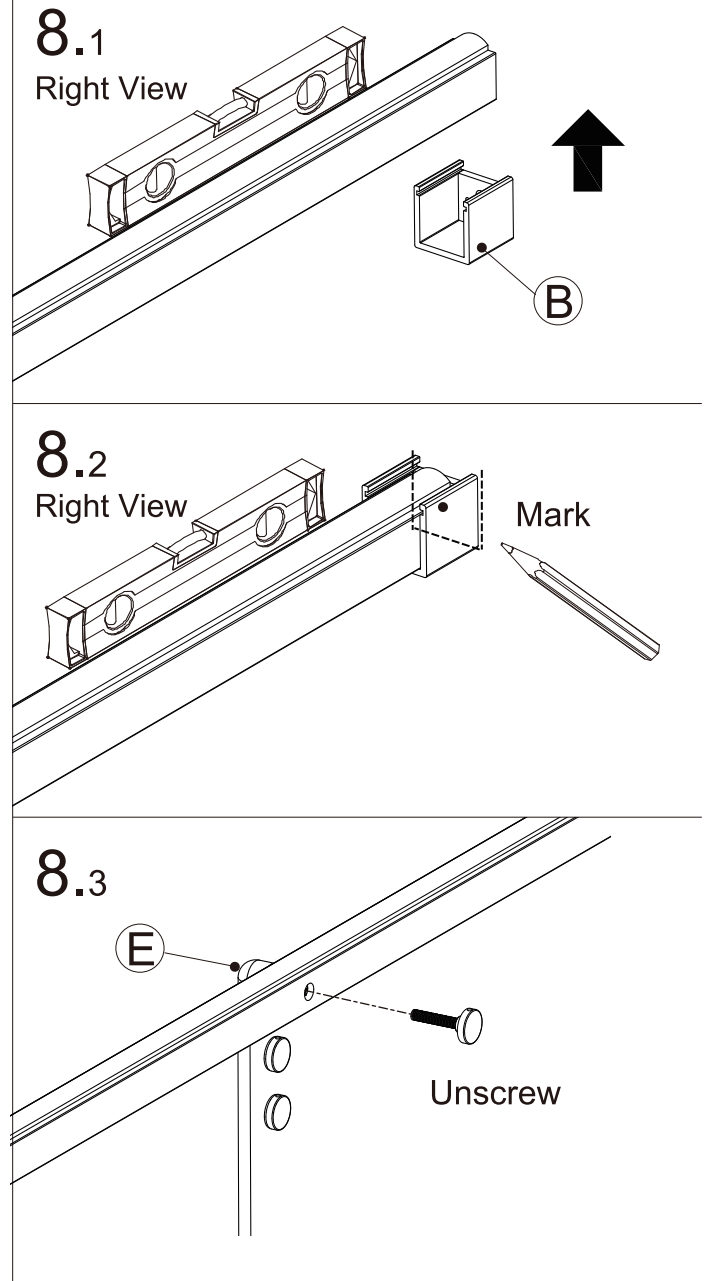
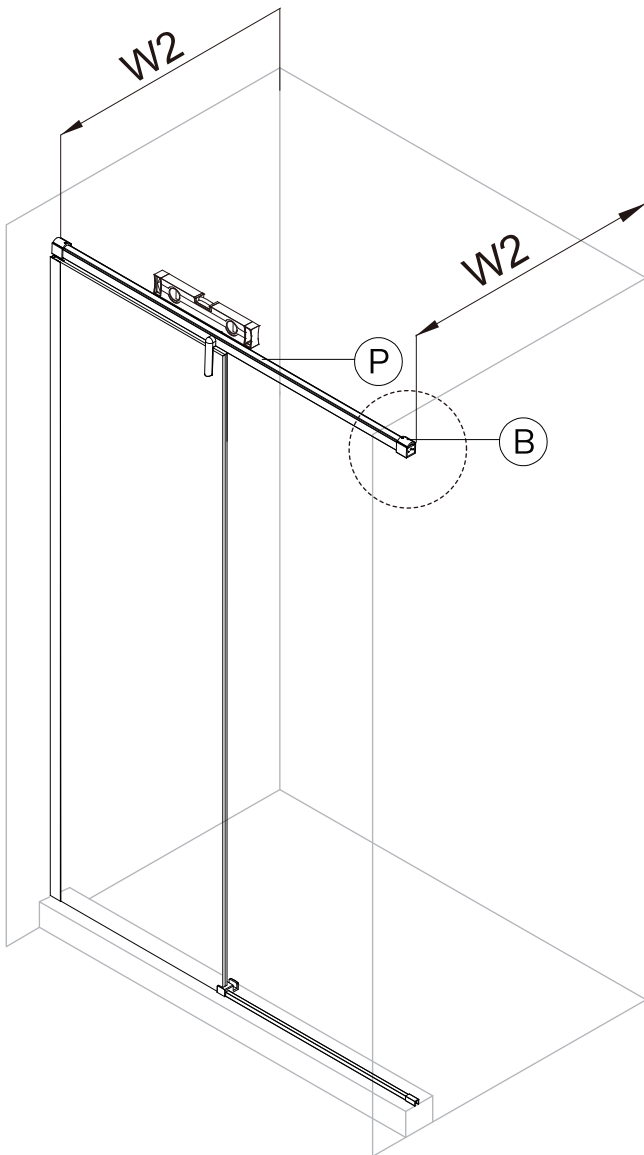
			
ⓐ x1 (Shorter)	ⓑ x1	ⓒ x1	ⓓ x1



1. Place the level on the header (P) and install part (E) as shown in the diagram.
2. Install the seals (I) on the fixed panel (F).

8

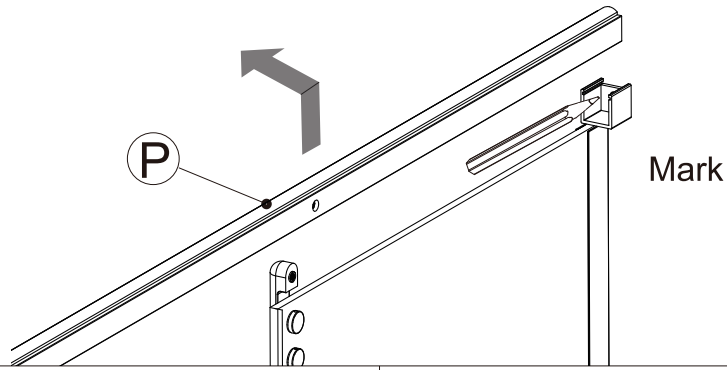
				
(B) x1	(1) x1	(2) x1	(P) x1	(R) x1



Place the level on the header (P), insert (B) into the right side of the header, trace the outline of (B) with a pencil, remove (B), then unscrew the screw at the top of (E).

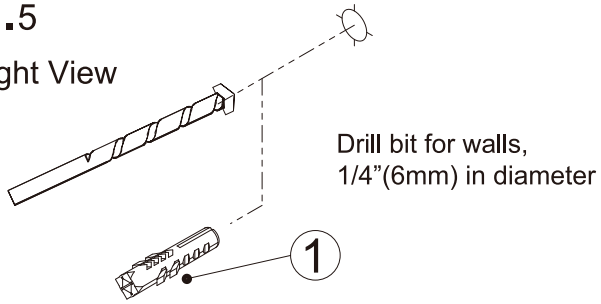
 Note: This step ensures the top rail is installed in a level position.

8.4



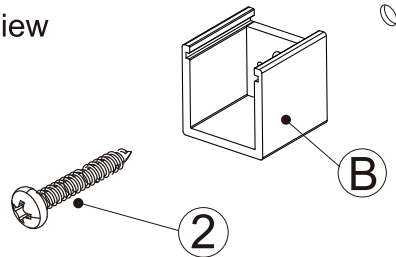
8.5

Right View

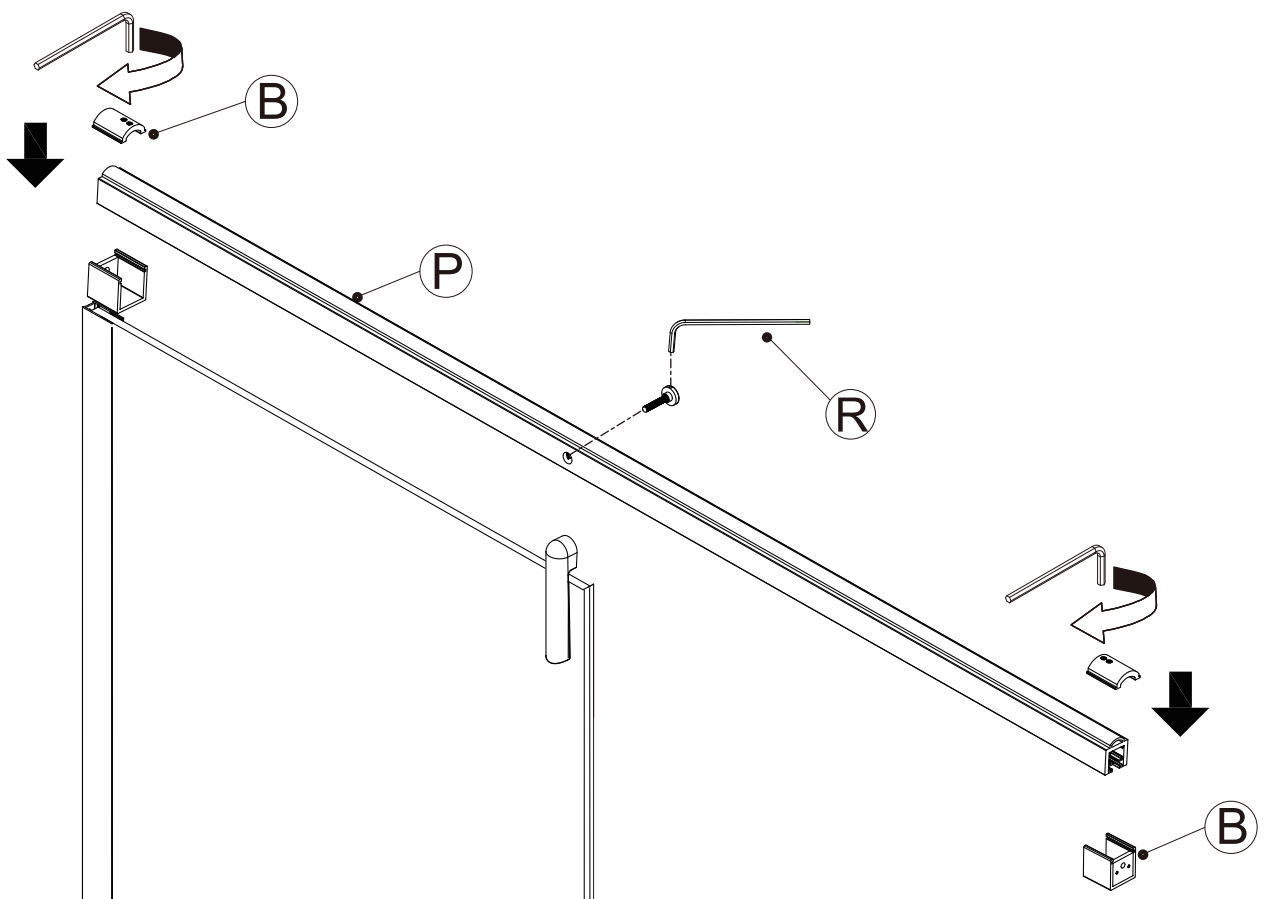


8.6

Right View

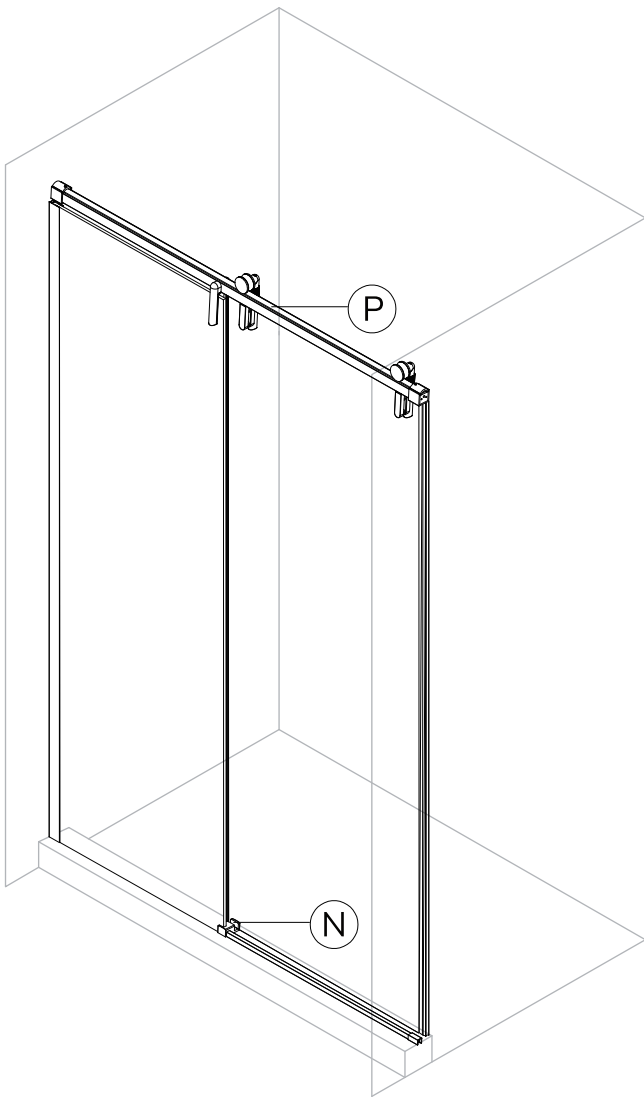


8.7

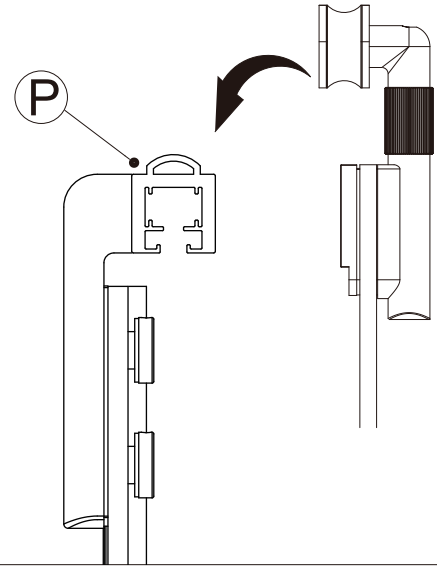


1. Remove the header (P). With an electric drill, drill hole in the wall, insert the anchors (1) into the wall holes and use an electric drill to fix (B) on the wall with screw (2).
2. Place the header (P) on top of (B), and finally use 2.5mm hex wrench (R) to secure (P) and (B) with screws.

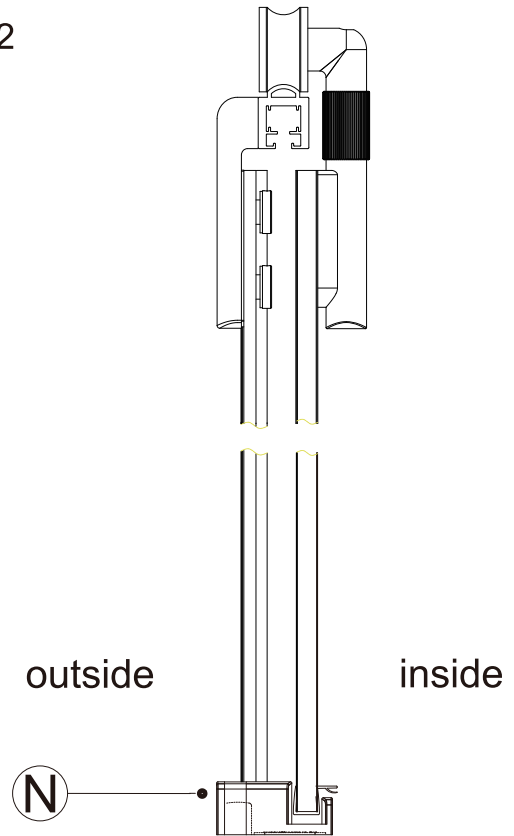
9



9.1

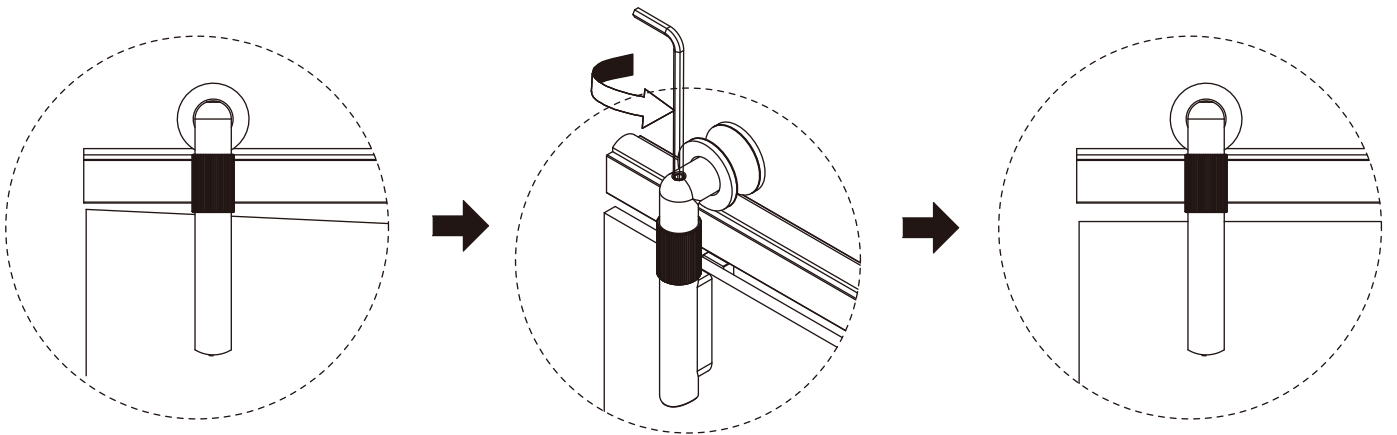
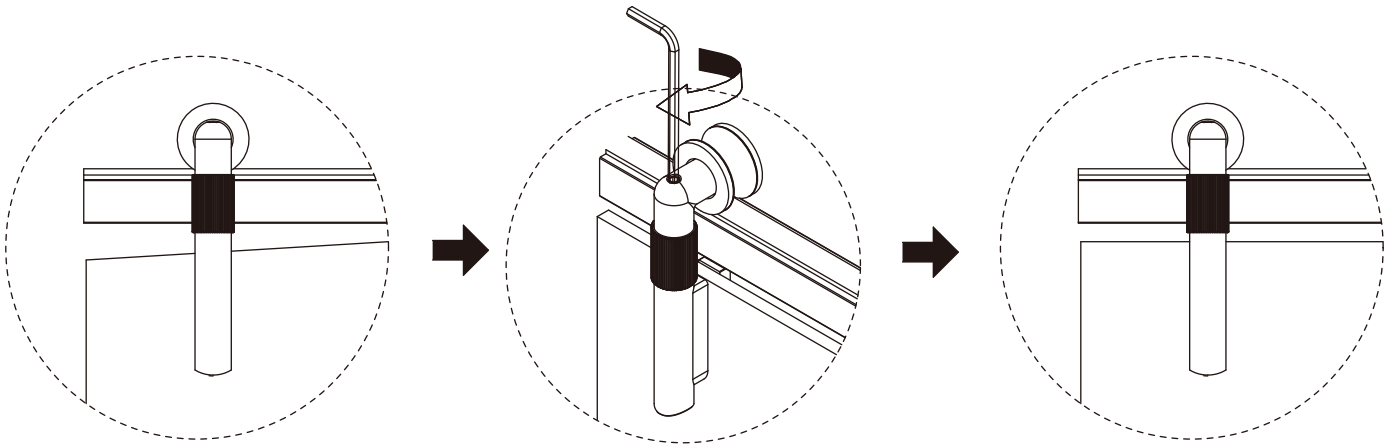


9.2

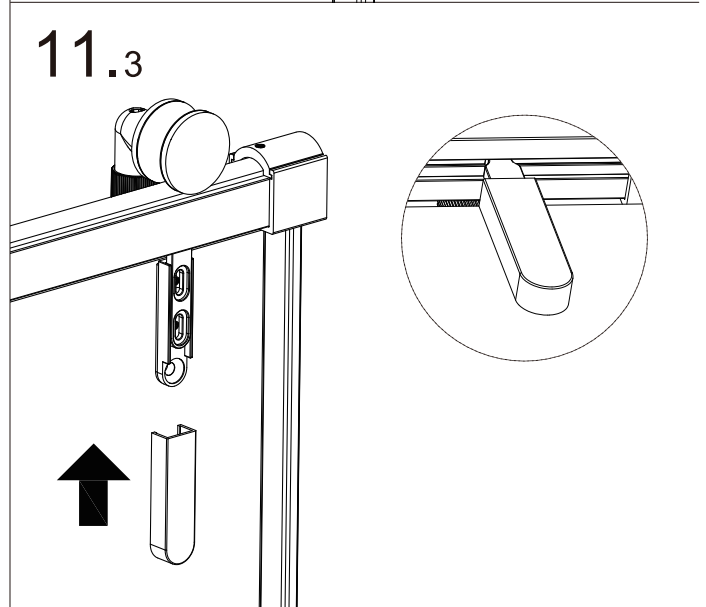
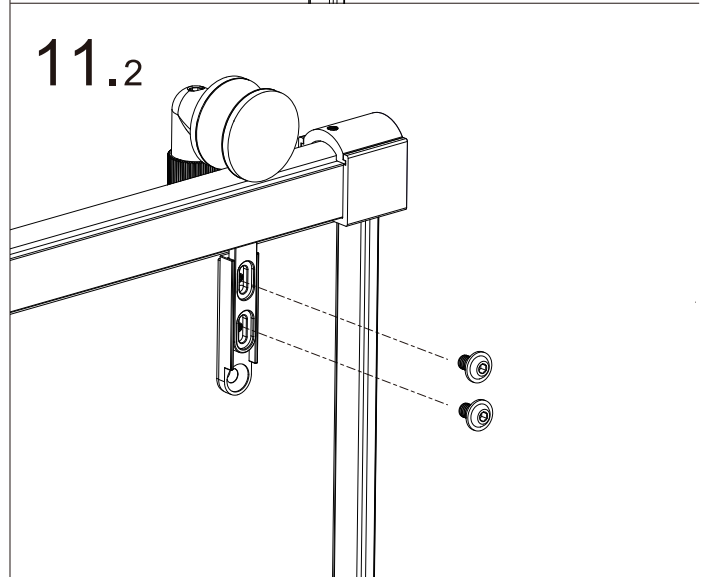
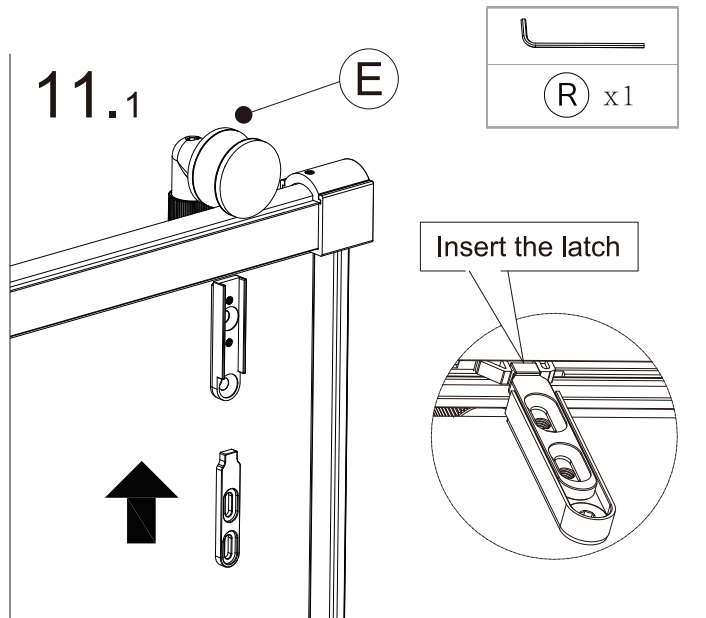
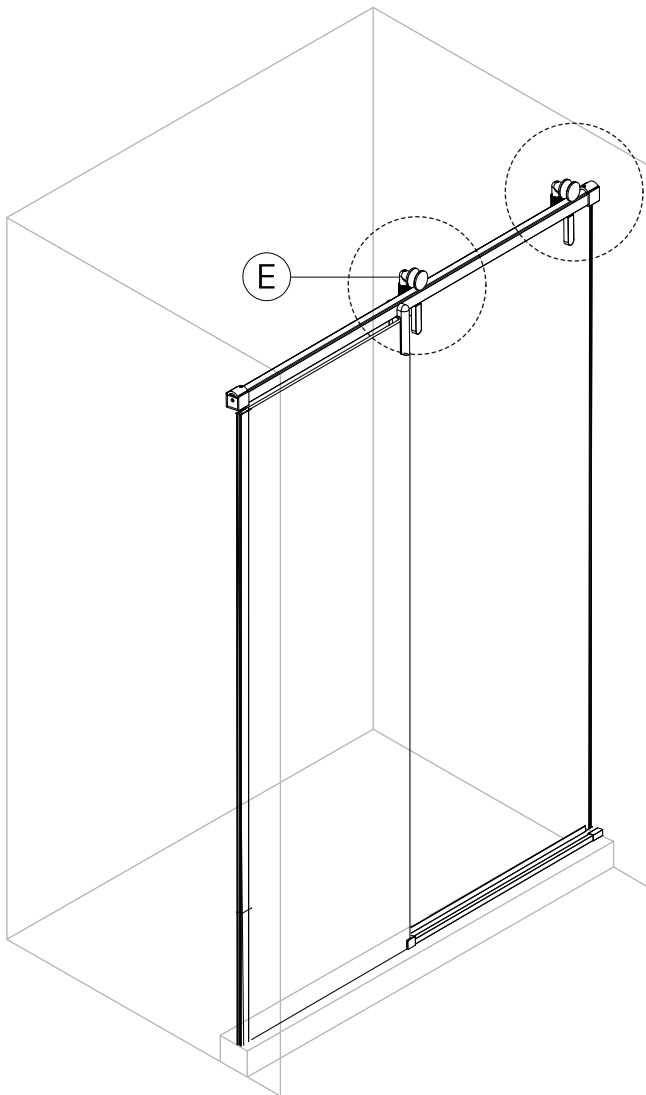


Place the sliding panel (G) assembled in Step 8 onto the centerguide (N) and the header (P) according to the diagram.

10 Adjust the Sliding Panel

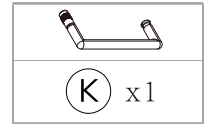


11

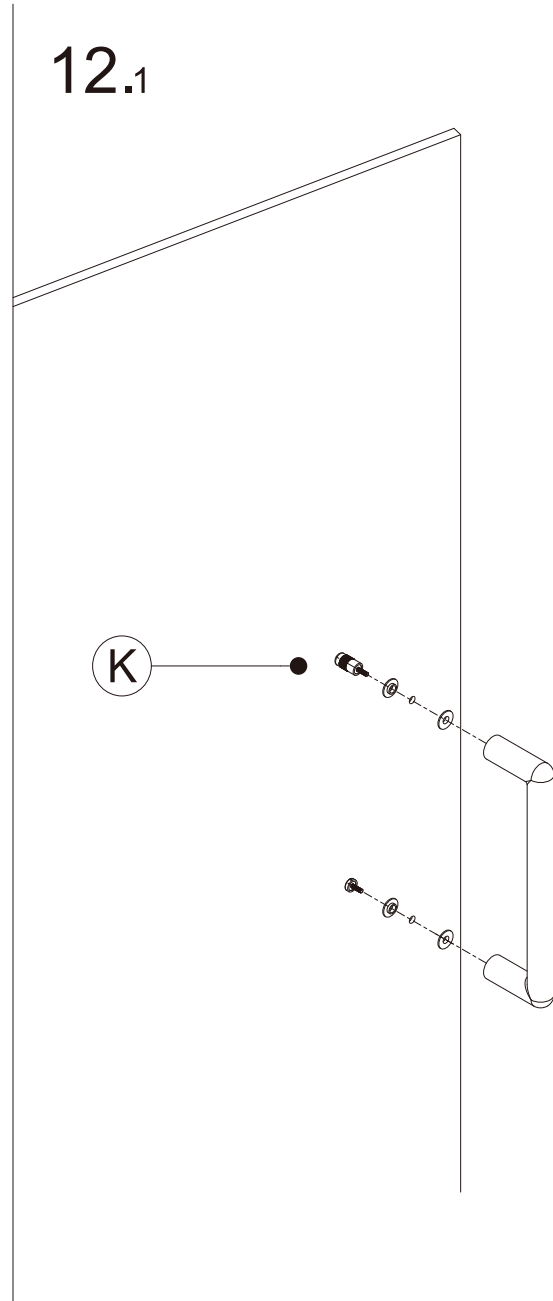
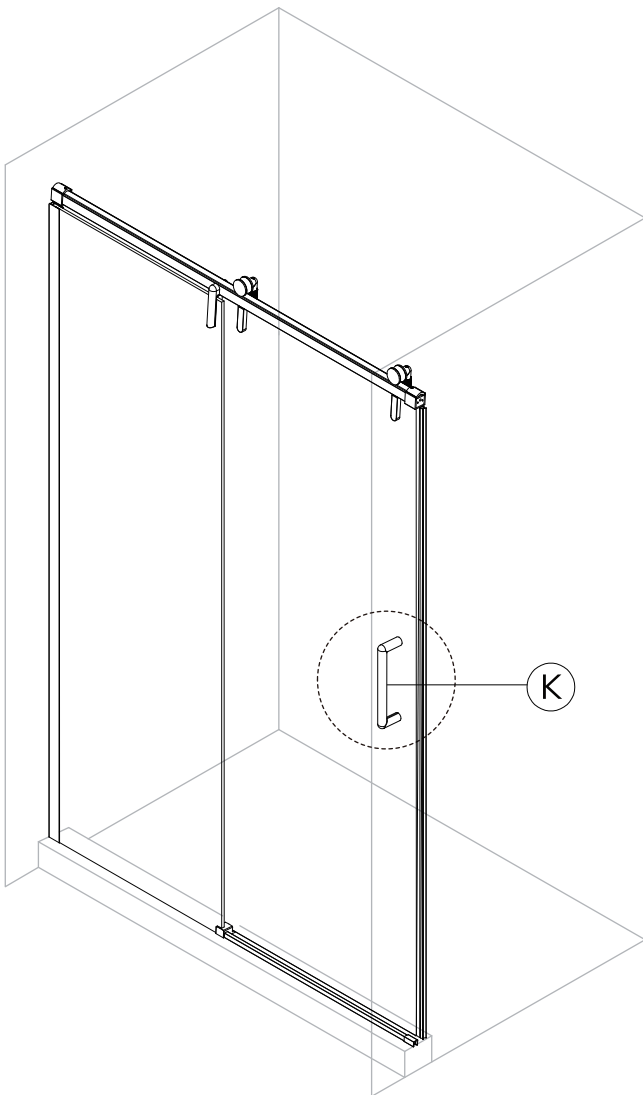


Adjust the buffer position and install part (E) according to the diagram.

12

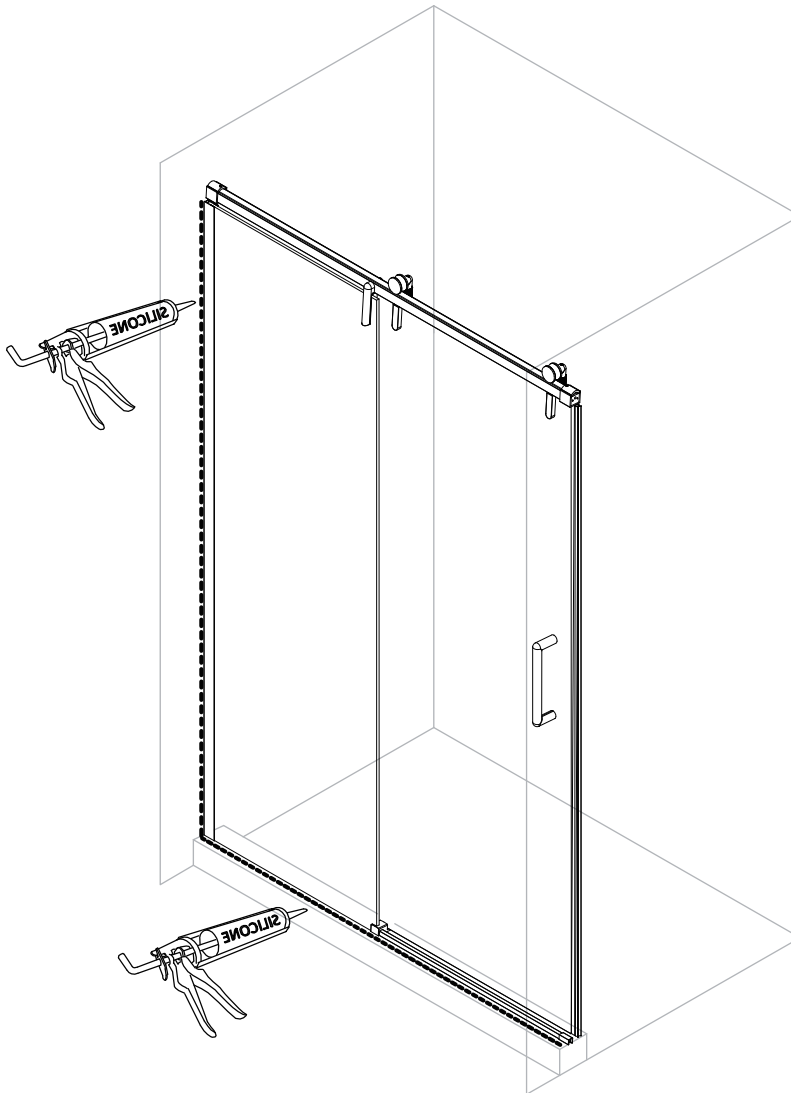


12.1



Install the handle (K) according to the diagram.

13



Apply a bead of silicone sealant along the left and bottom edges of the door. Let it cure for 24 hours. During this time, refrain from using the showerhead.