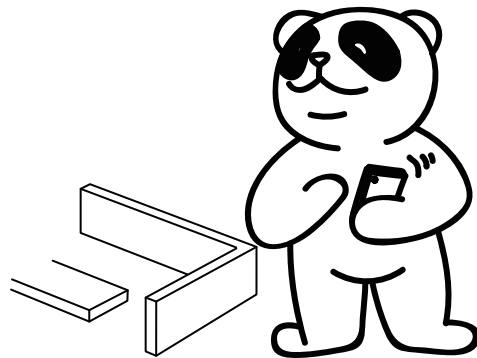
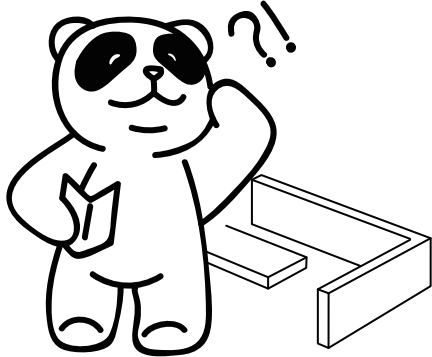
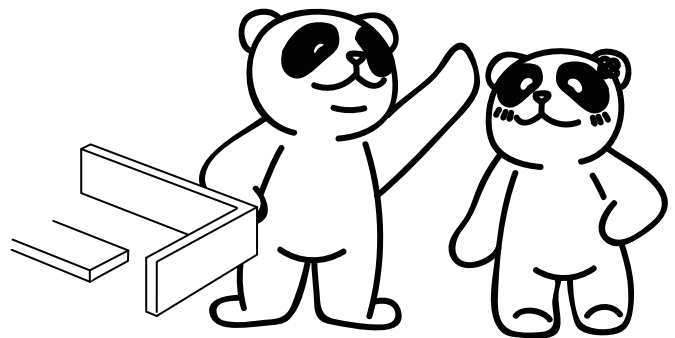
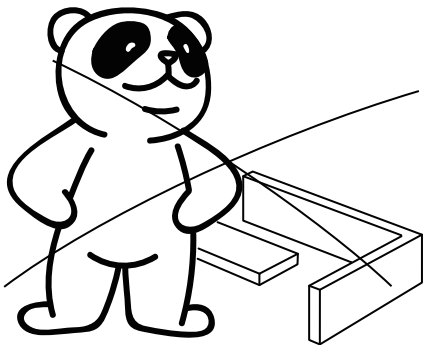


Violent installation is prohibited



Please call if you need help



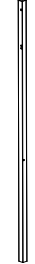
Multi-person cooperation is recommended

Assembly Instruction



1

x1



2

x1



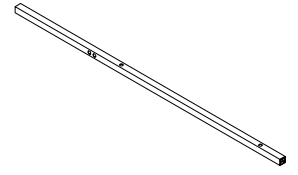
3

x1



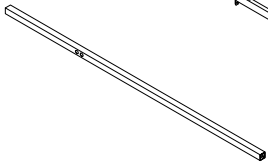
4

x1



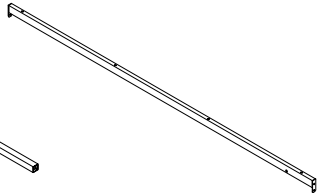
5

x1



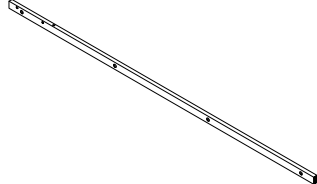
6

x1



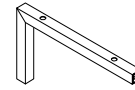
7

x1



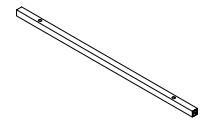
8

x1



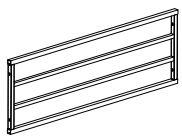
9

x1



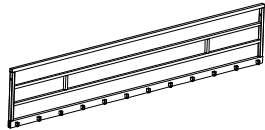
10

x3



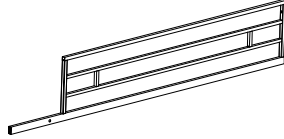
11

x2



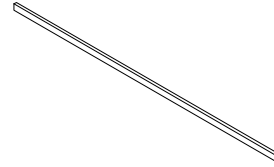
12

x1



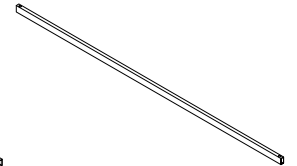
13

x1



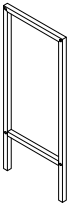
14

x10



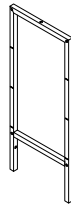
15

x2



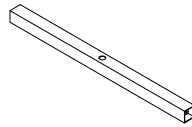
16

x1



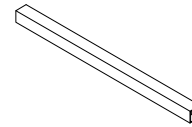
17

x1



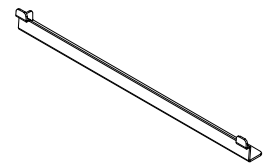
18

x1



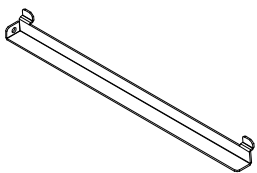
19

x3



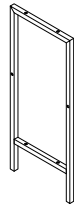
20

x3



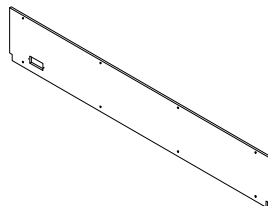
21

x3



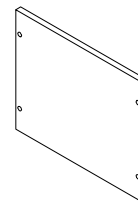
22

x1



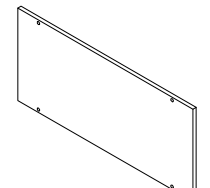
23

x1



24

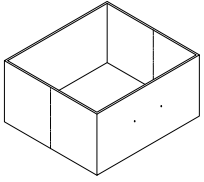
x1



25

x2

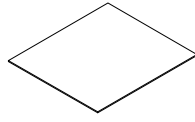
Assembly Instruction



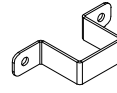
26
x3



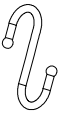
27
x3



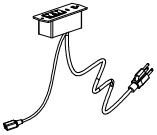
28
x3



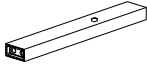
29
x2



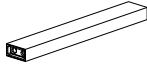
30
x5



31
x1



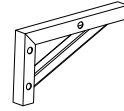
32
x1



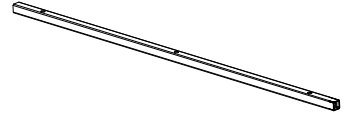
33
x3



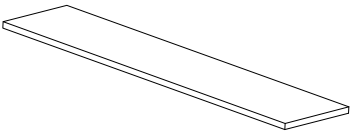
34
x1



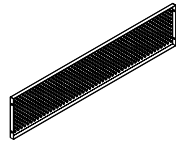
35
x2



36
x1



37
x1

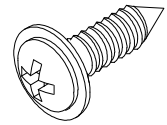


38
x1



39
x1

Hardware parts 2



Q
Ø4*10
x6

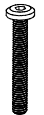
Hardware parts 1



A
M8*35
x15



B
M8*45
x2



C
M6*60
x9



D
M8*60
x26



E
M8*15
x1



F
M6*10
x10



G
M5*25
x4



H
M6*28
x15



I
M6*35
x21



J
M6*45
x4



K
Ø3*12
x2



L
x1



M
M5*30
x4



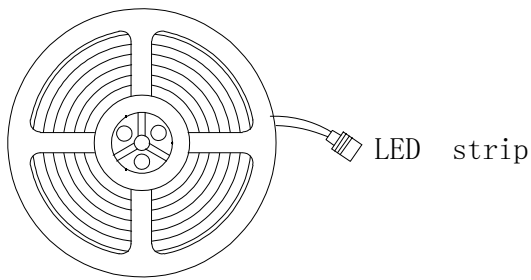
N
Ø8*40
x4



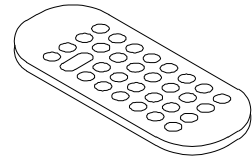
O
S4
x1

Assembly Instruction

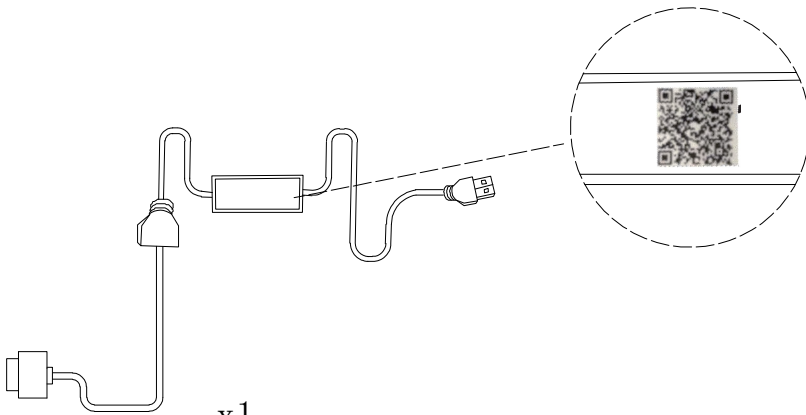
LED light strip electronic accessories list



x1
light bar



x1
Remote control

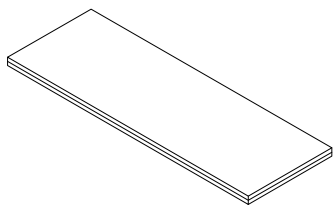


x1
Controller wire

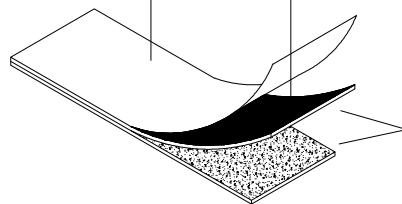
There is a two-dimensional code at the position of the power line. Scanning can download the APP for the control light

Anti stick paper

Gluing surface

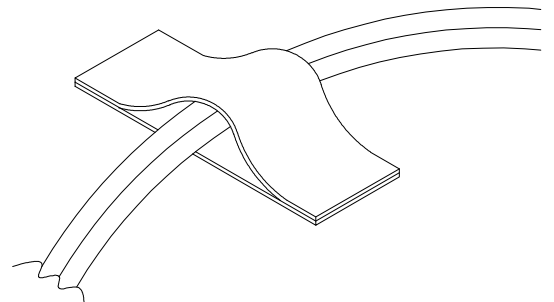


x5
Thread embedding buckle



velcro

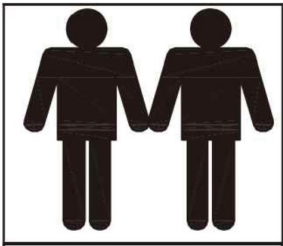
When the wires are disordered, tear off the anti stick paper, paste it on the place where the wires pass, and then bind the wires.



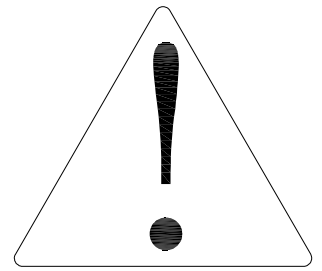
Assembly Instruction

Note:

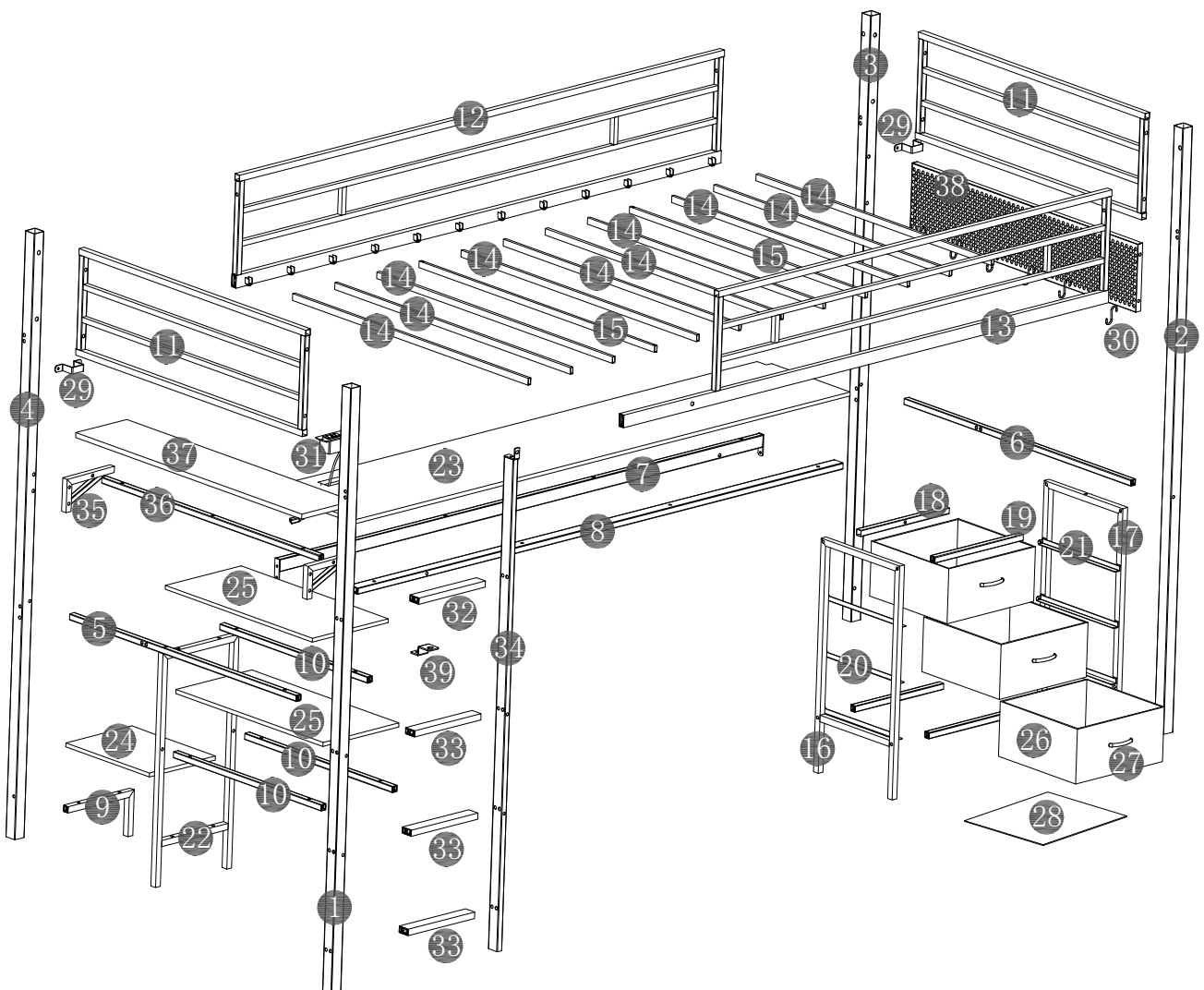
1. should be assembled on flat ground to keep balance.
2. Before completing the installation, do not tighten the screws.



It needs at least two people to install.

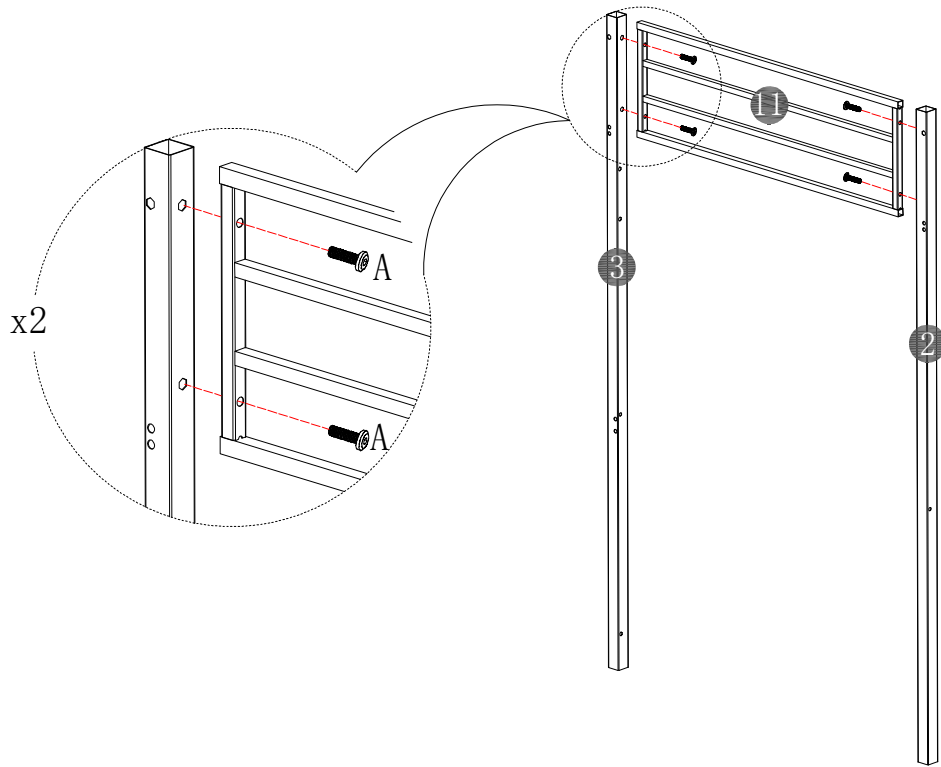


Before starting the assembly, you must read the whole manual and follow the instructions



Assembly Instruction

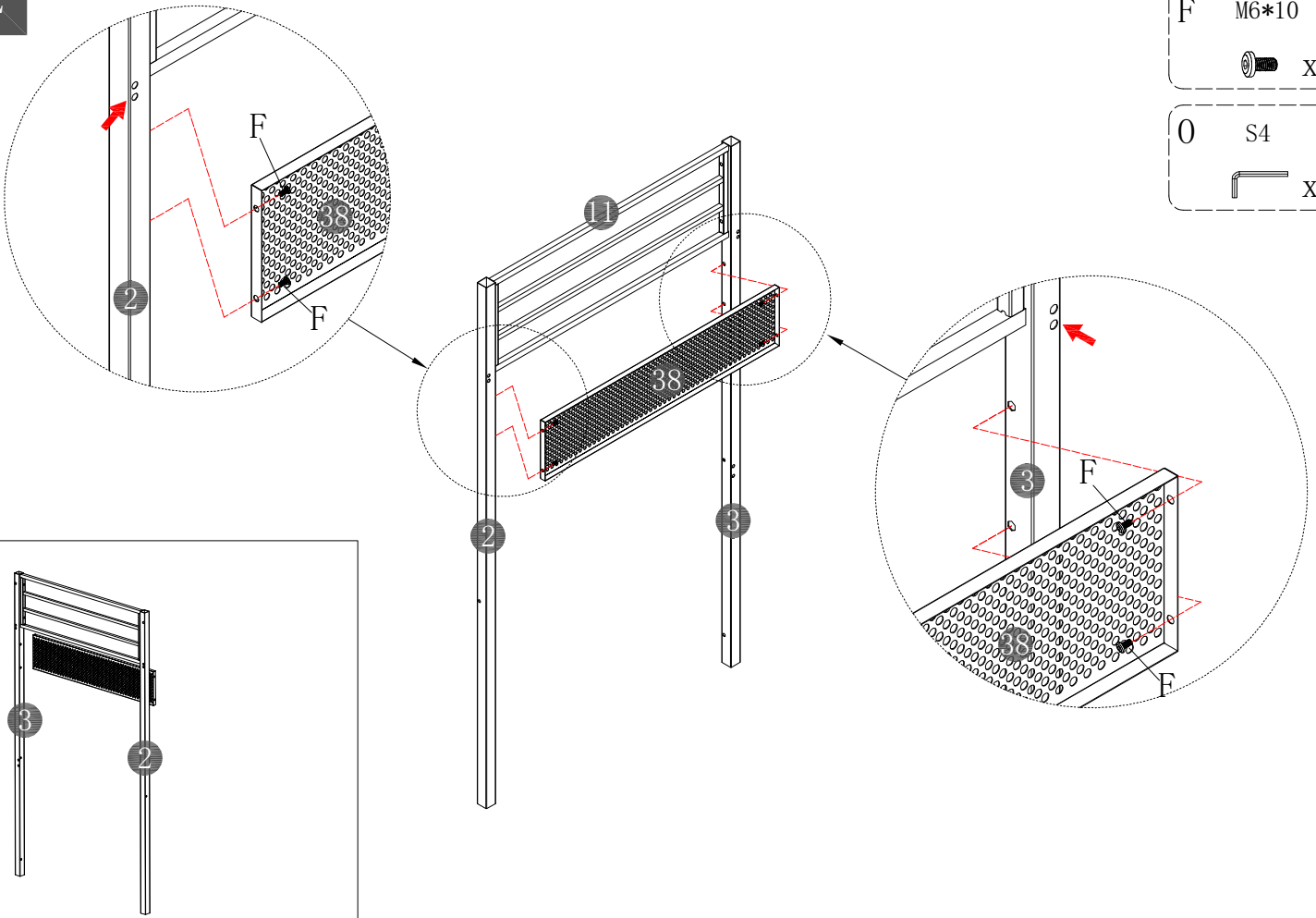
1



A M8*35
x4

O S4
x1

2



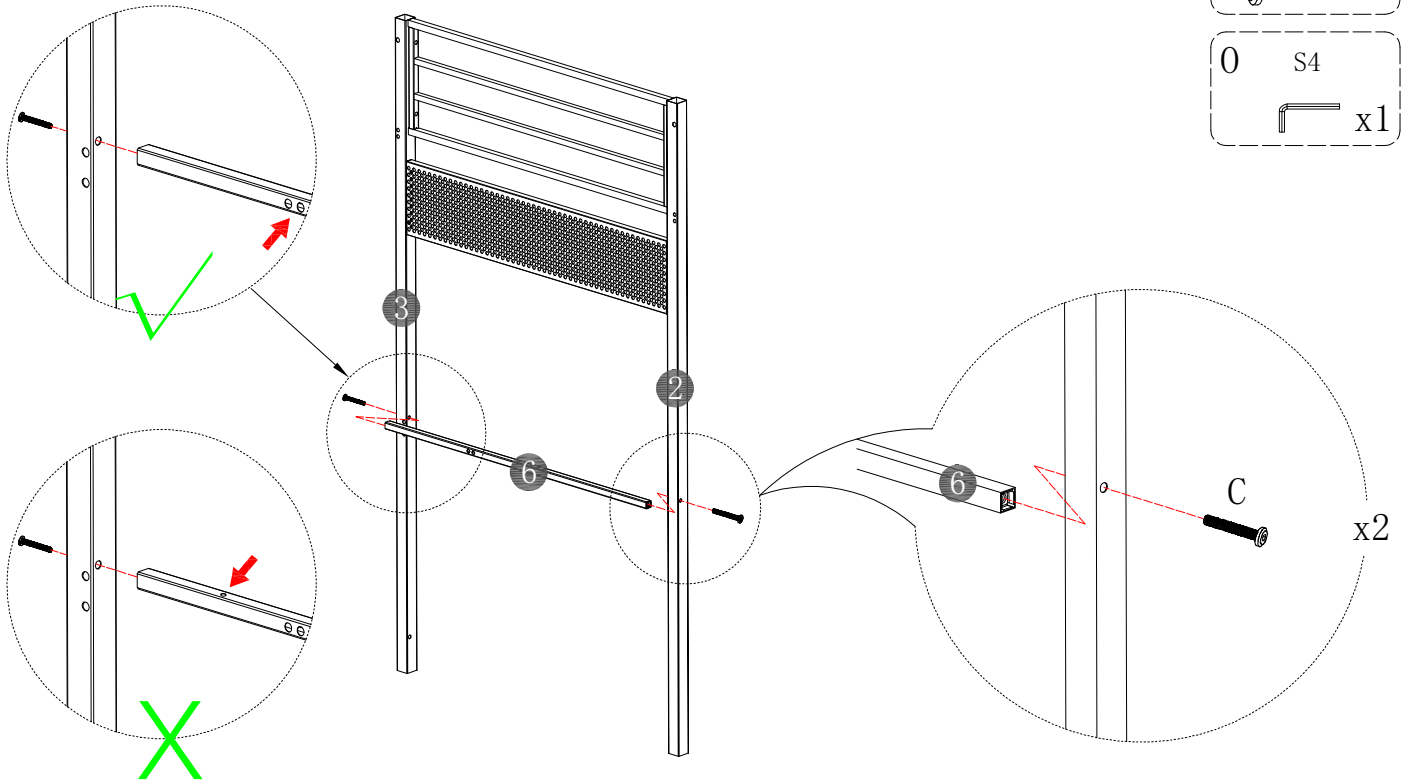
F M6*10
x4

O S4
x1

Assembly Instruction

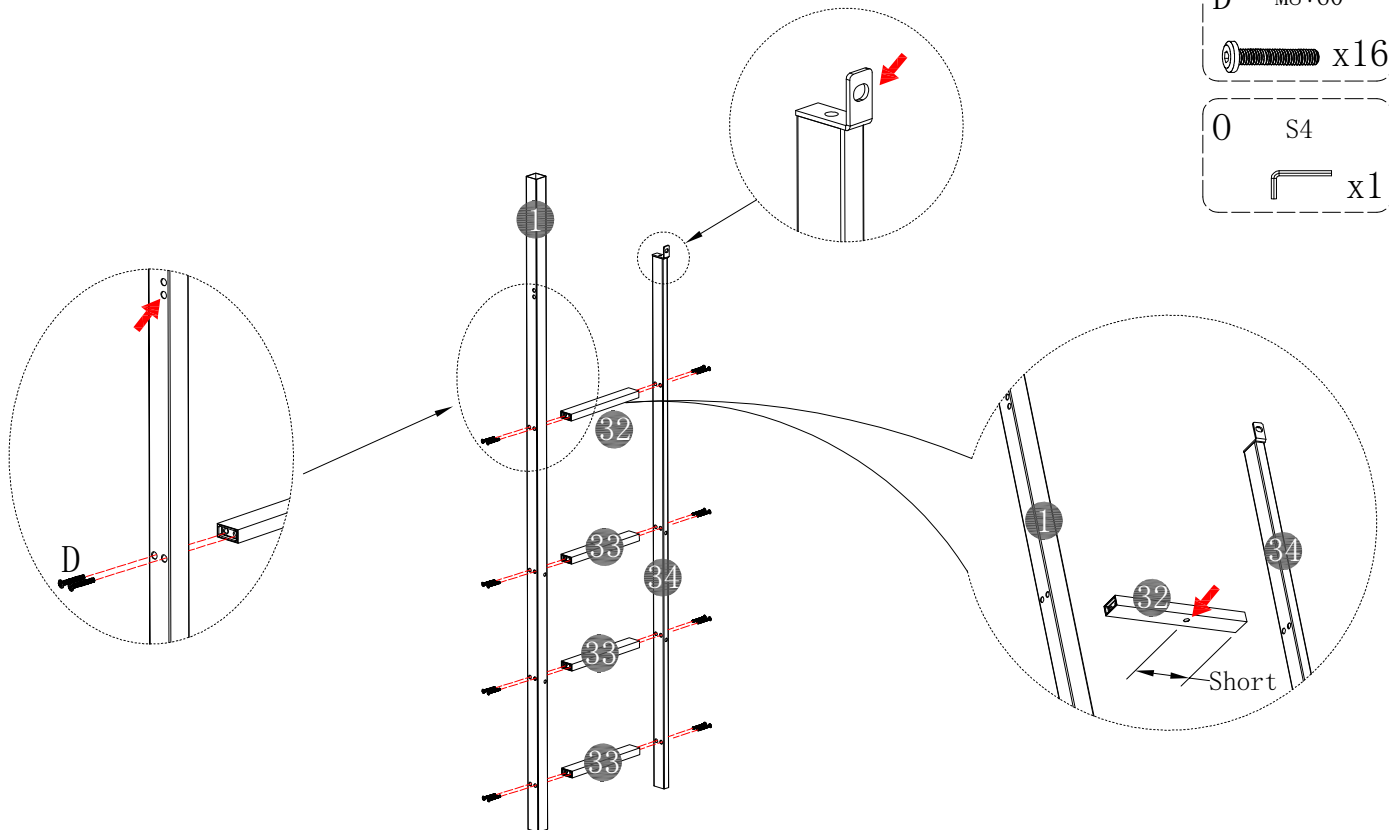
3

- C M6*60 x2
- O S4 x1



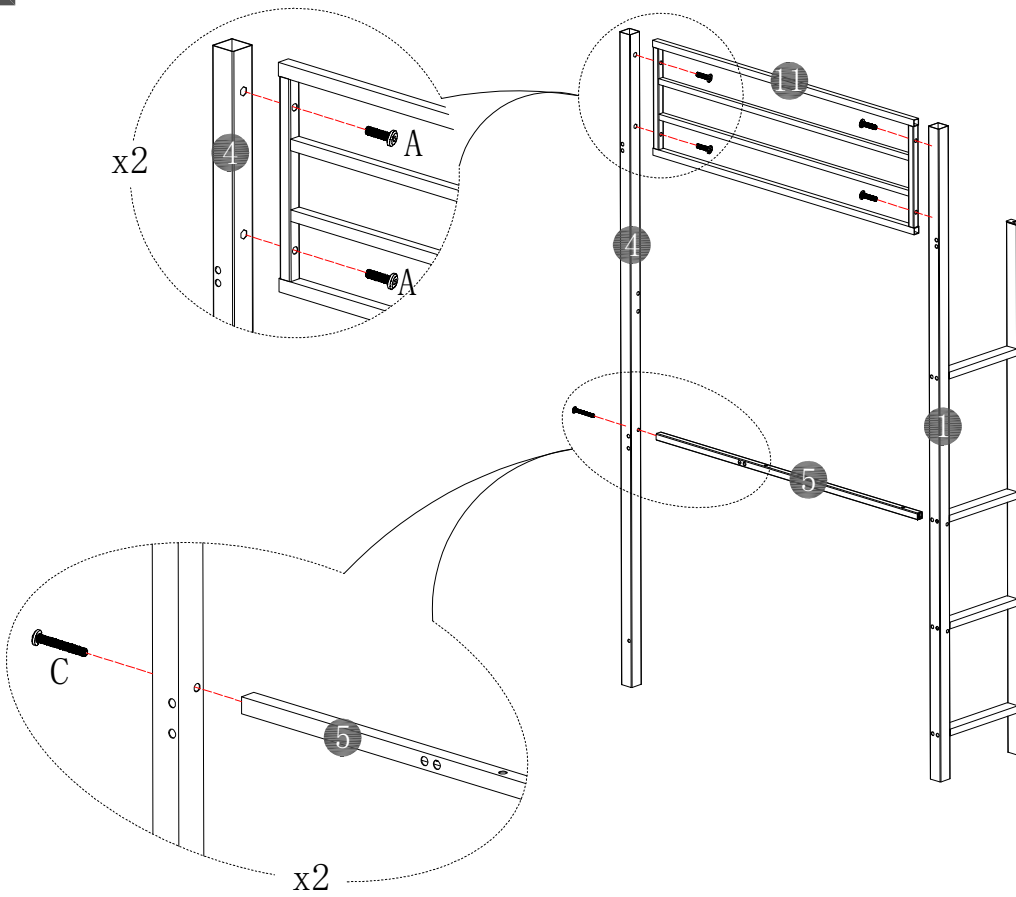
4

- D M8*60 x16
- O S4 x1



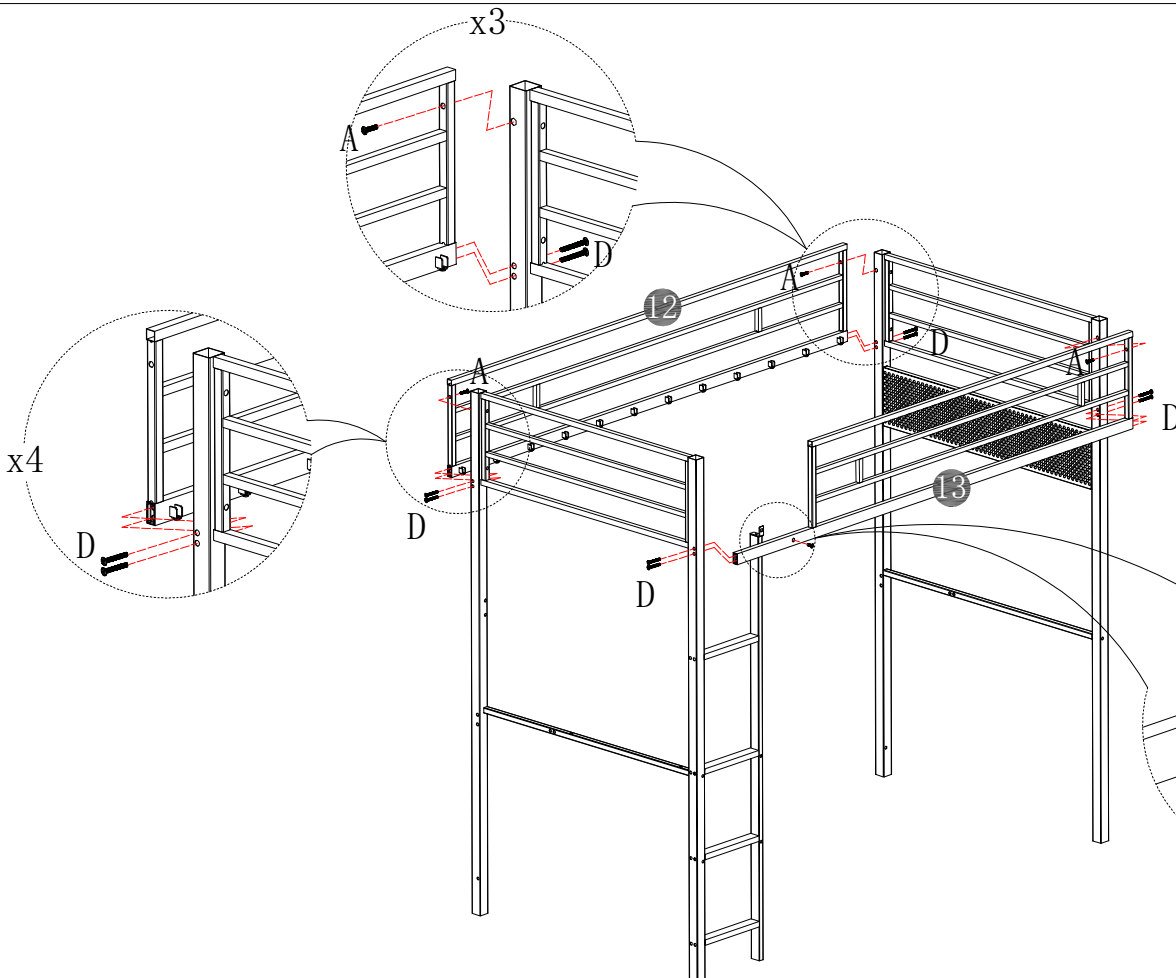
Assembly Instruction

5



- A M8*35
x4
- C M6*60
x2
- O S4
x1

6

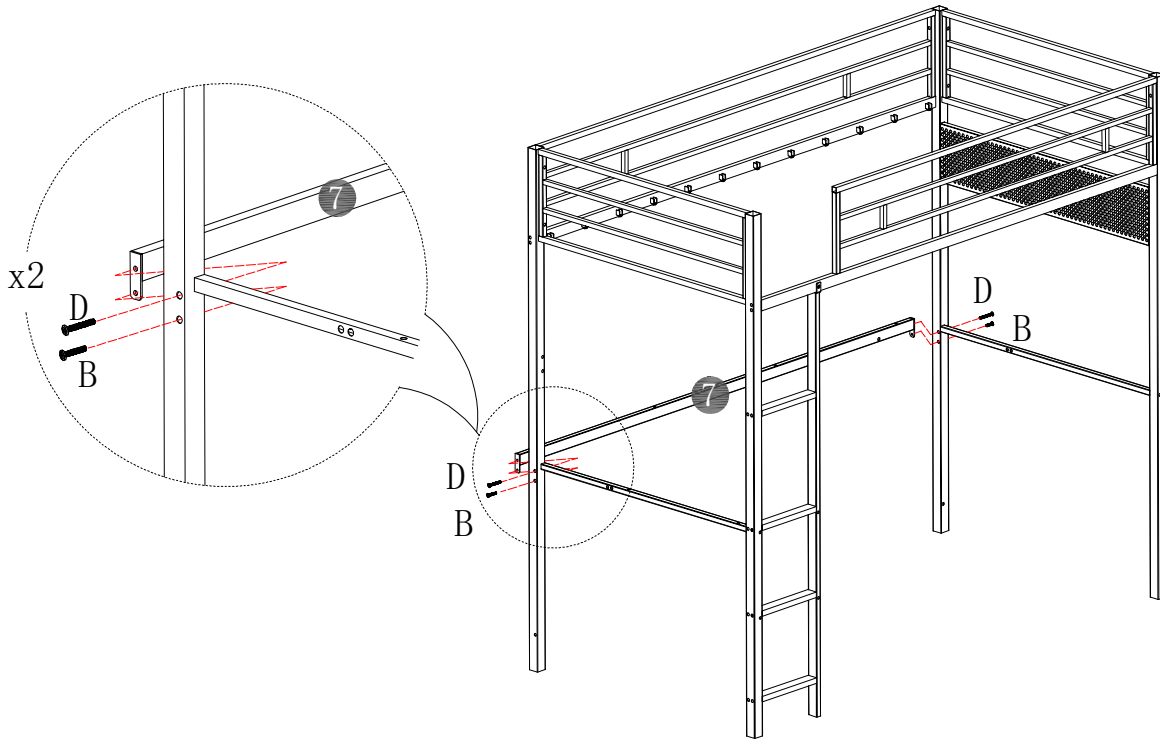


- A M8*35
x3
- D M8*60
x8
- E M8*15
x1
- O S4
x1

Do not tighten the screws, just fix them.

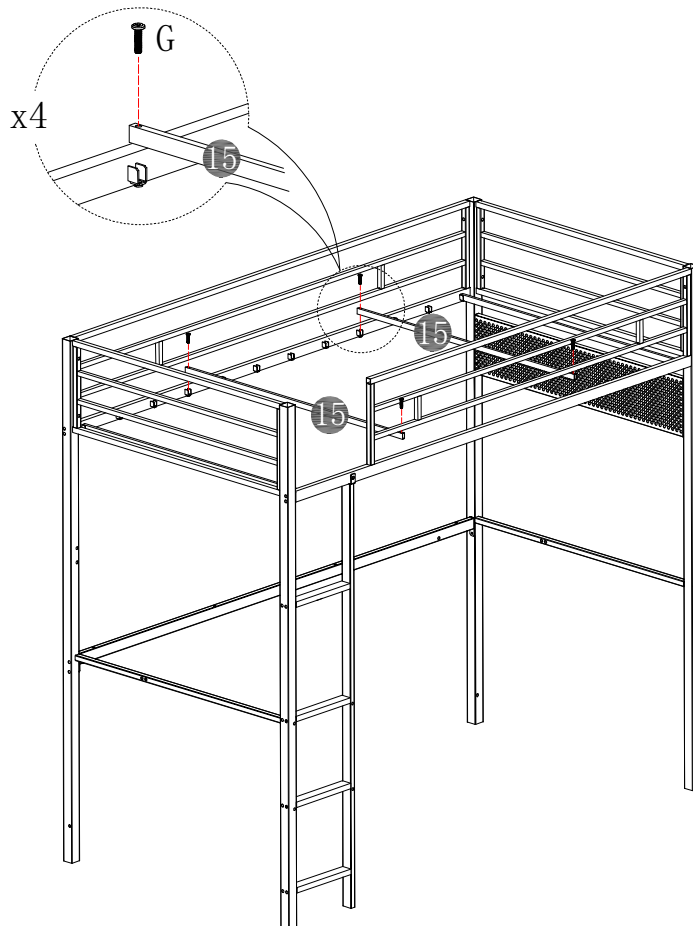
Assembly Instruction

7



- D M8*60 x2
- B M8*45 x2
- O S4 x1

8

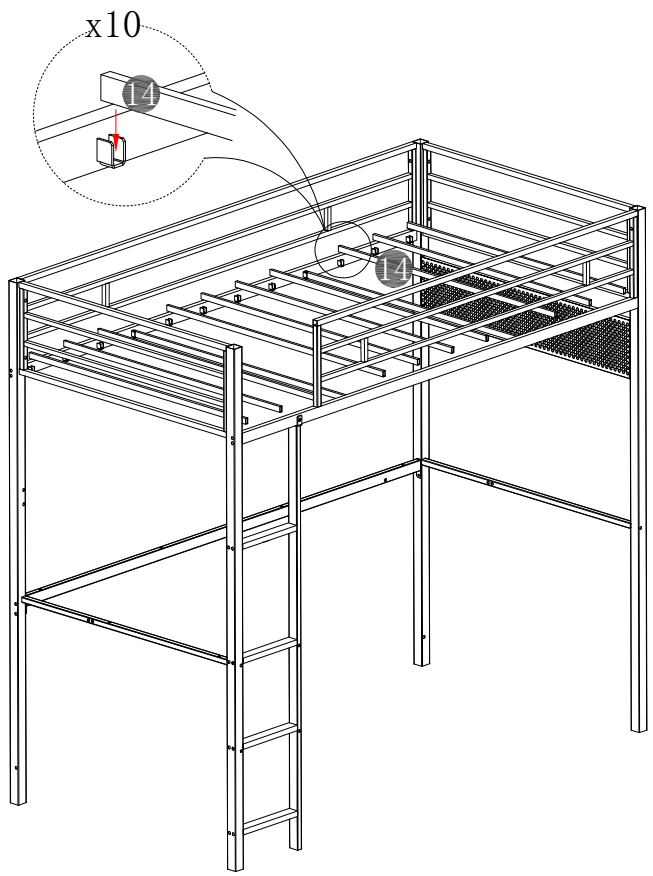


- G M5*25 x4
- O S4 x1

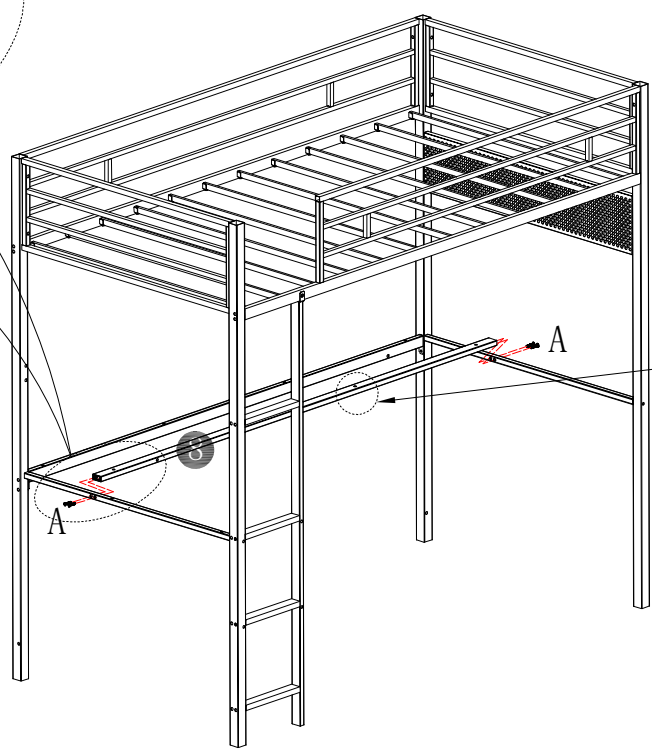
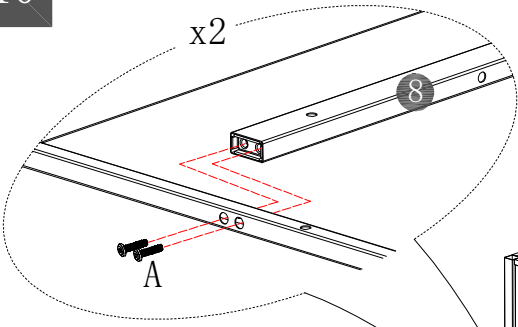
Tighten all the screws on it.

Assembly Instruction

9

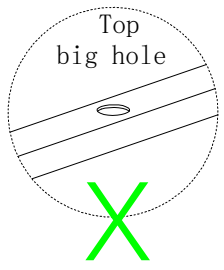
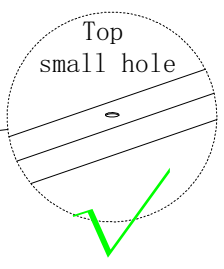


10



A M8*35
x4

O S4
x1



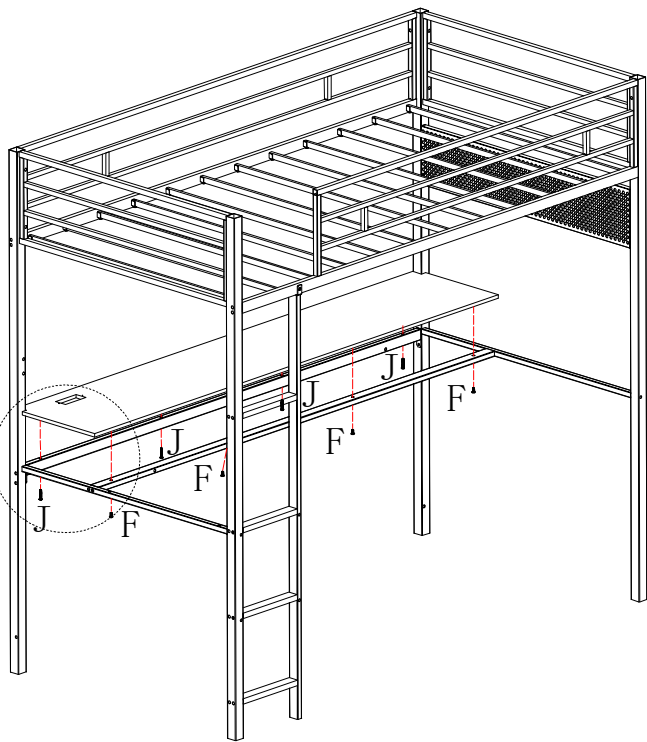
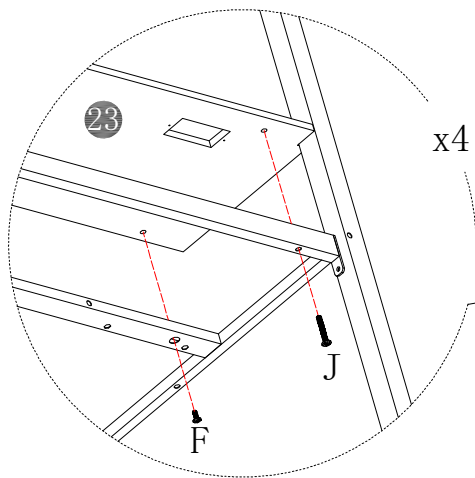
Assembly Instruction

11

F M6*10
x4

J M6*45
x4

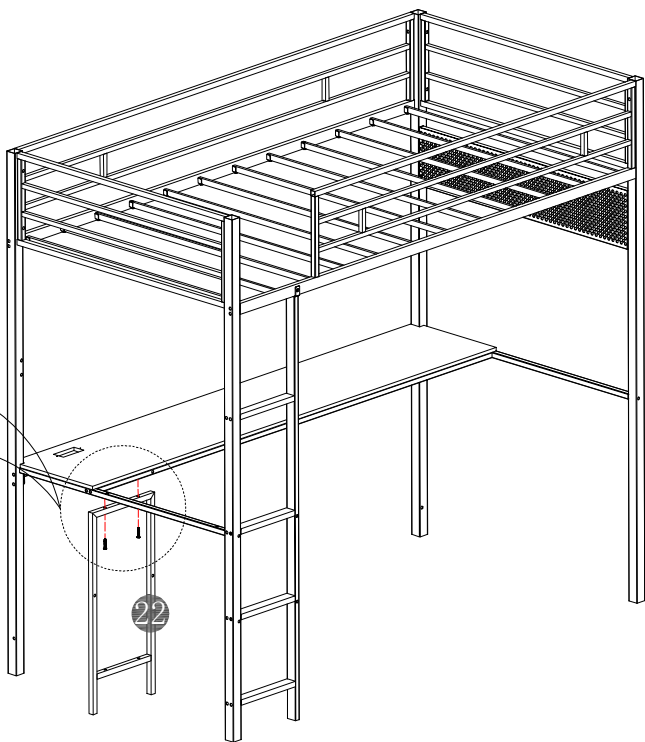
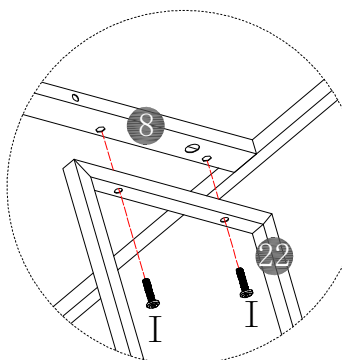
O S4
x1



12




I M6*35
x2

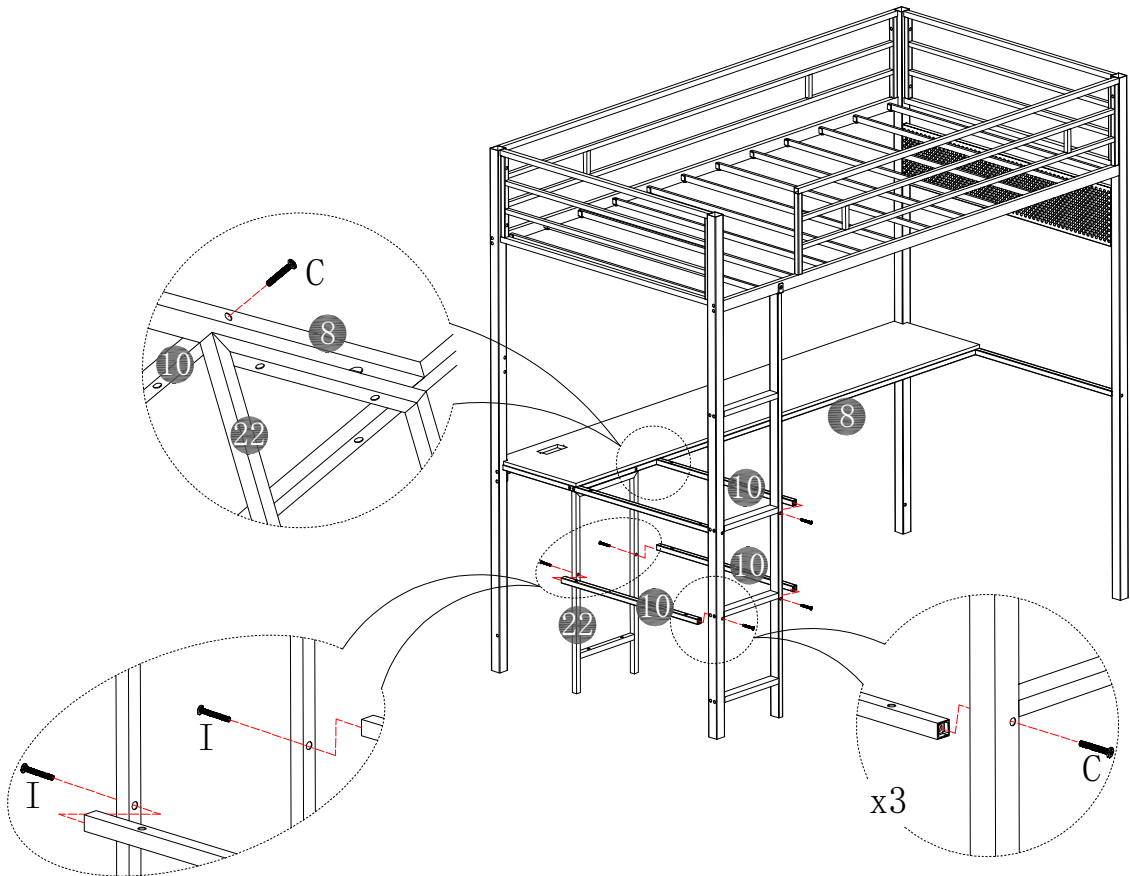
O S4
x1





Assembly Instruction

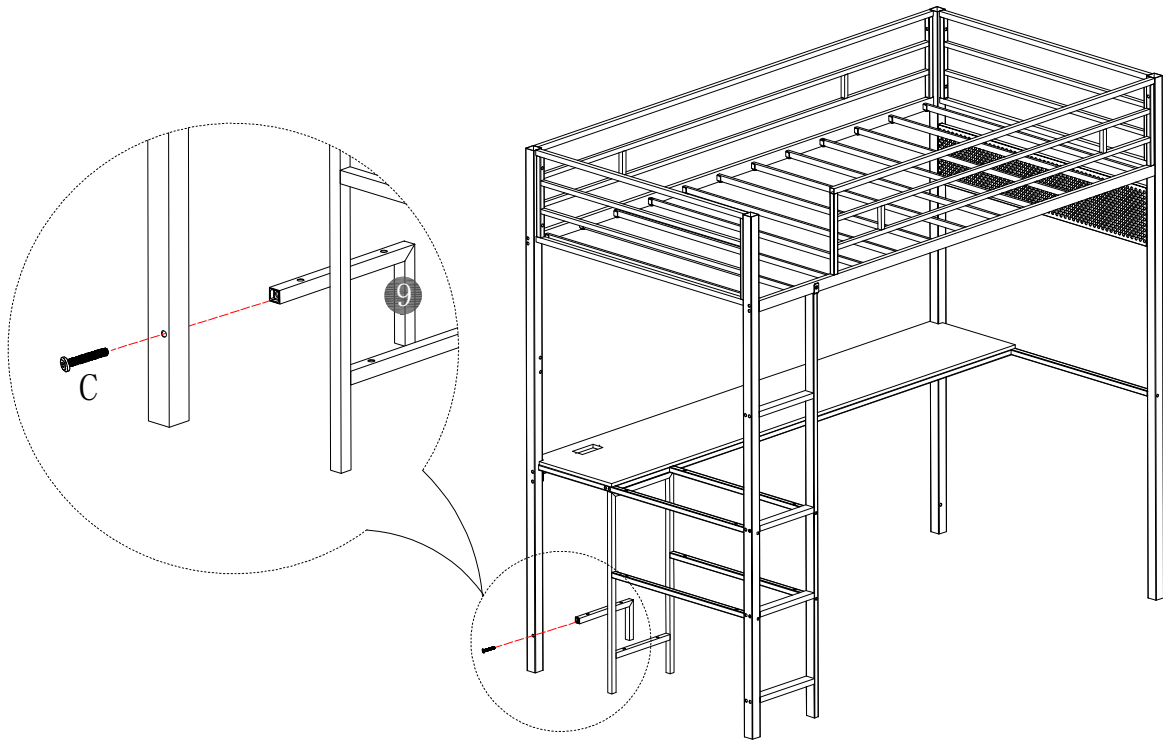
13

- I M6*35
 x2
- C M6*60
 x4
- O S4
 x1



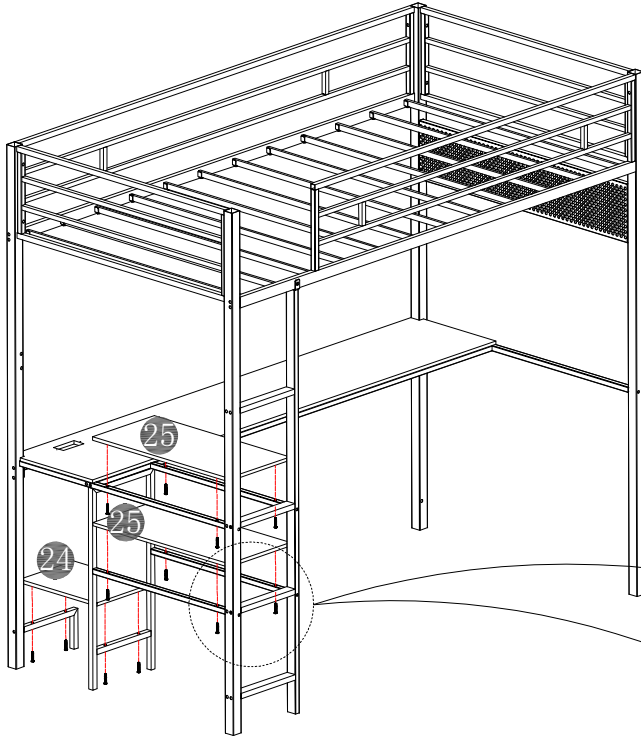
14

- C M6*60
 x1
- O S4
 x1



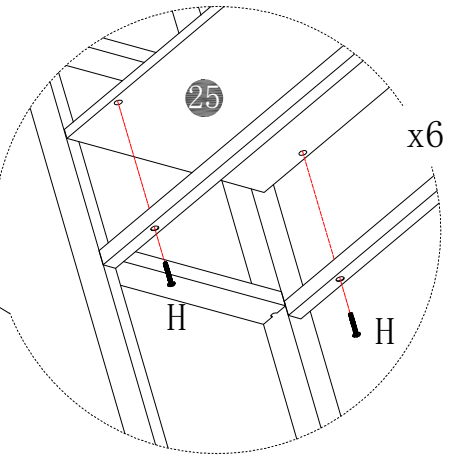
Assembly Instruction

15

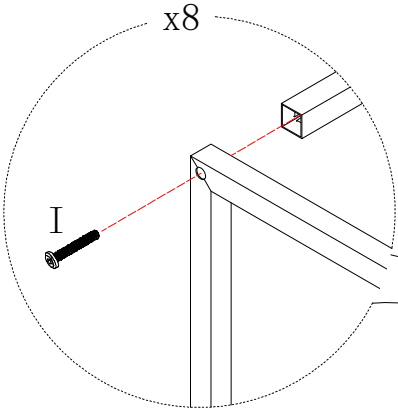


H M6*28
x12

O S4
x1

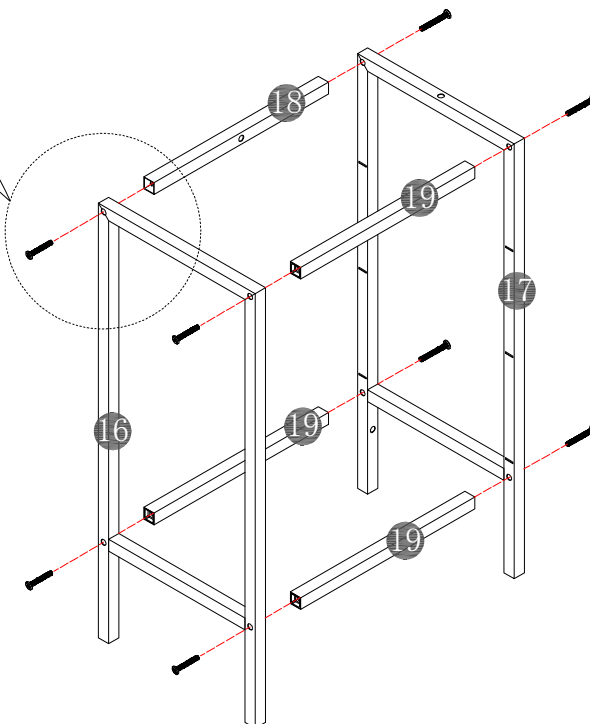


16



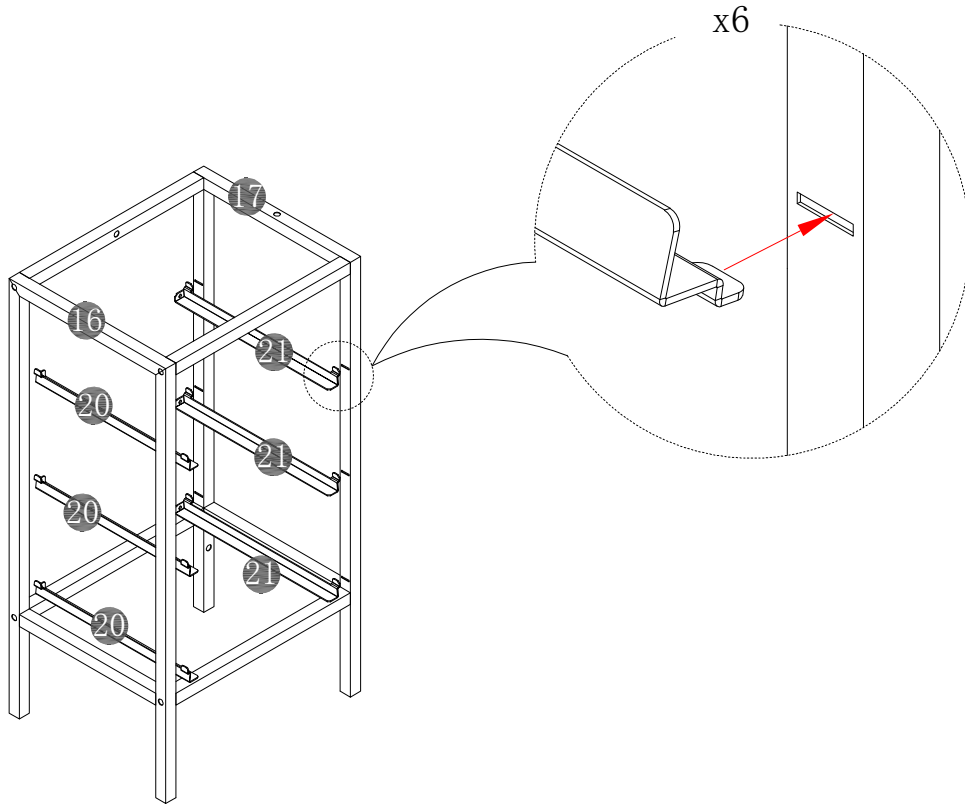
I M6*35
x8

O S4
x1

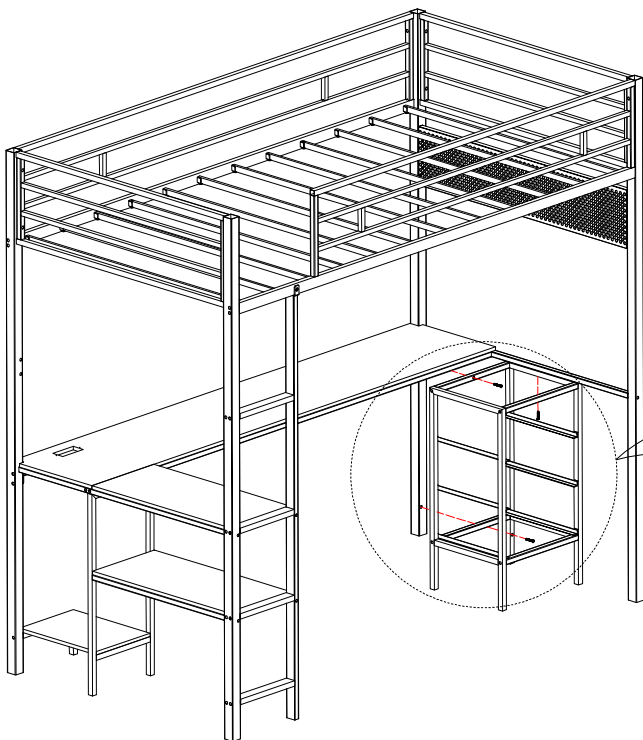


Assembly Instruction

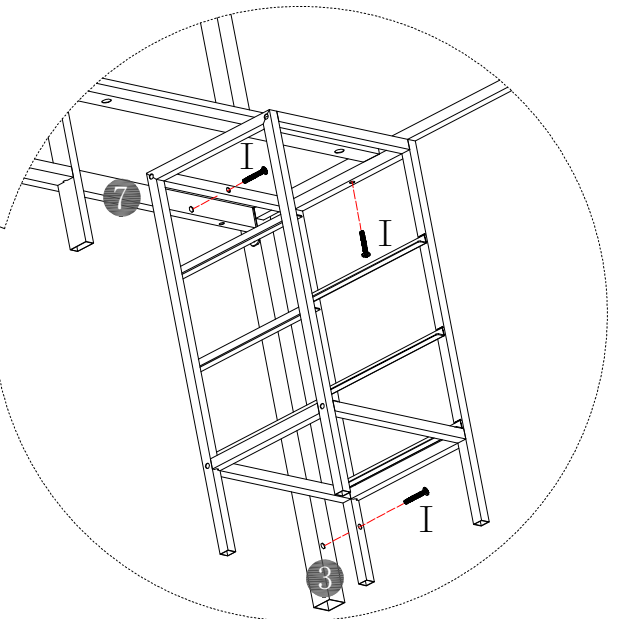
17



18

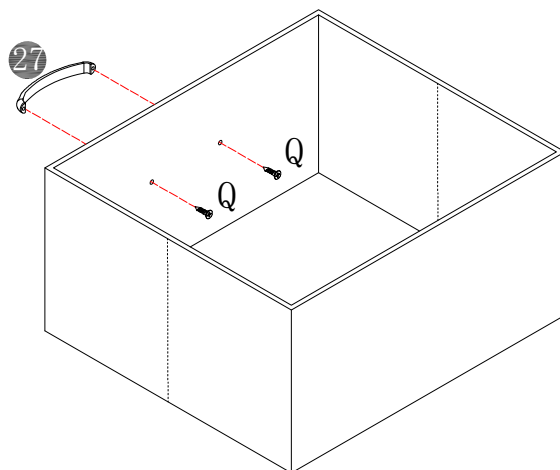
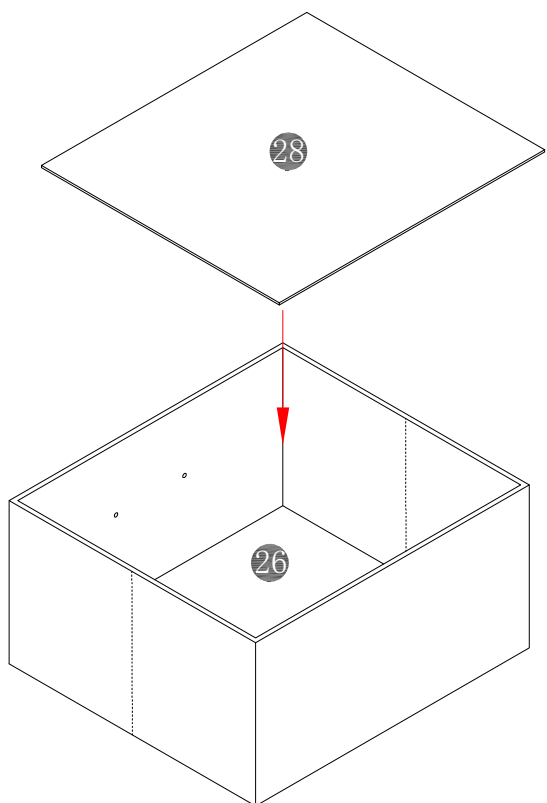
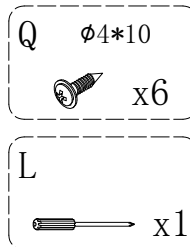


- I M6*35
x3
- O S4
x1



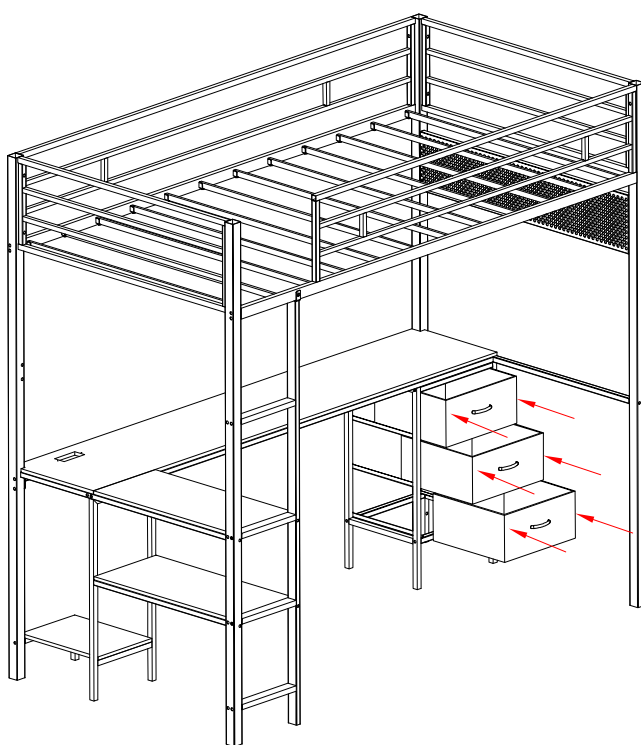
Assembly Instruction

19



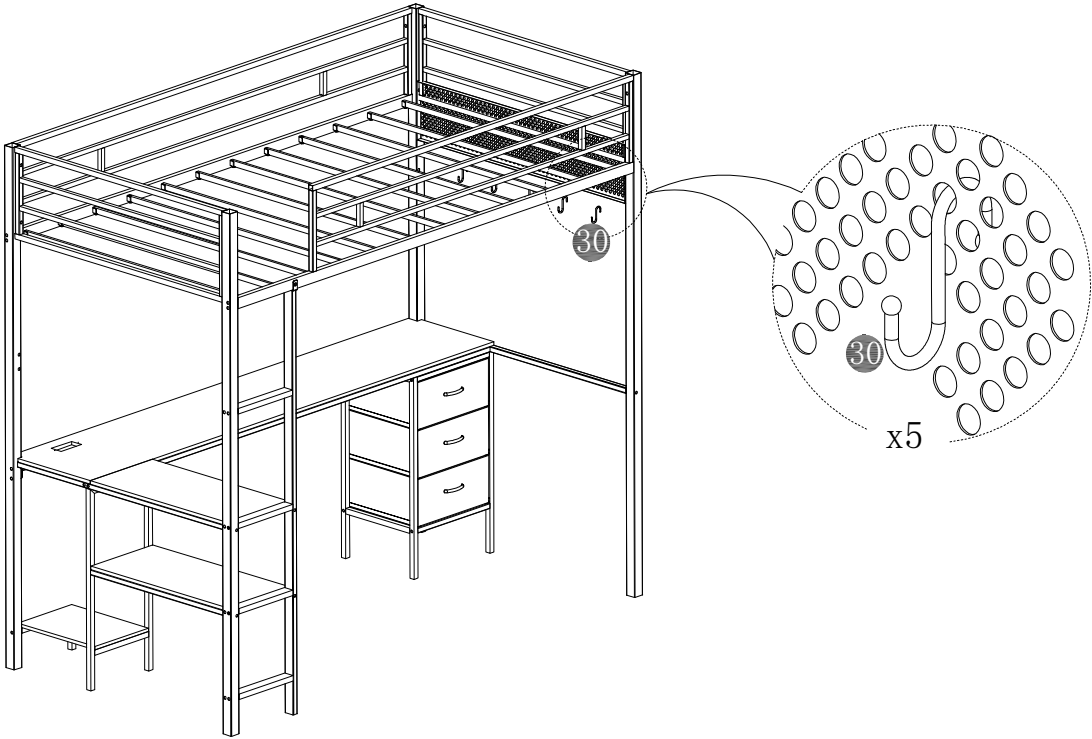
x3

20

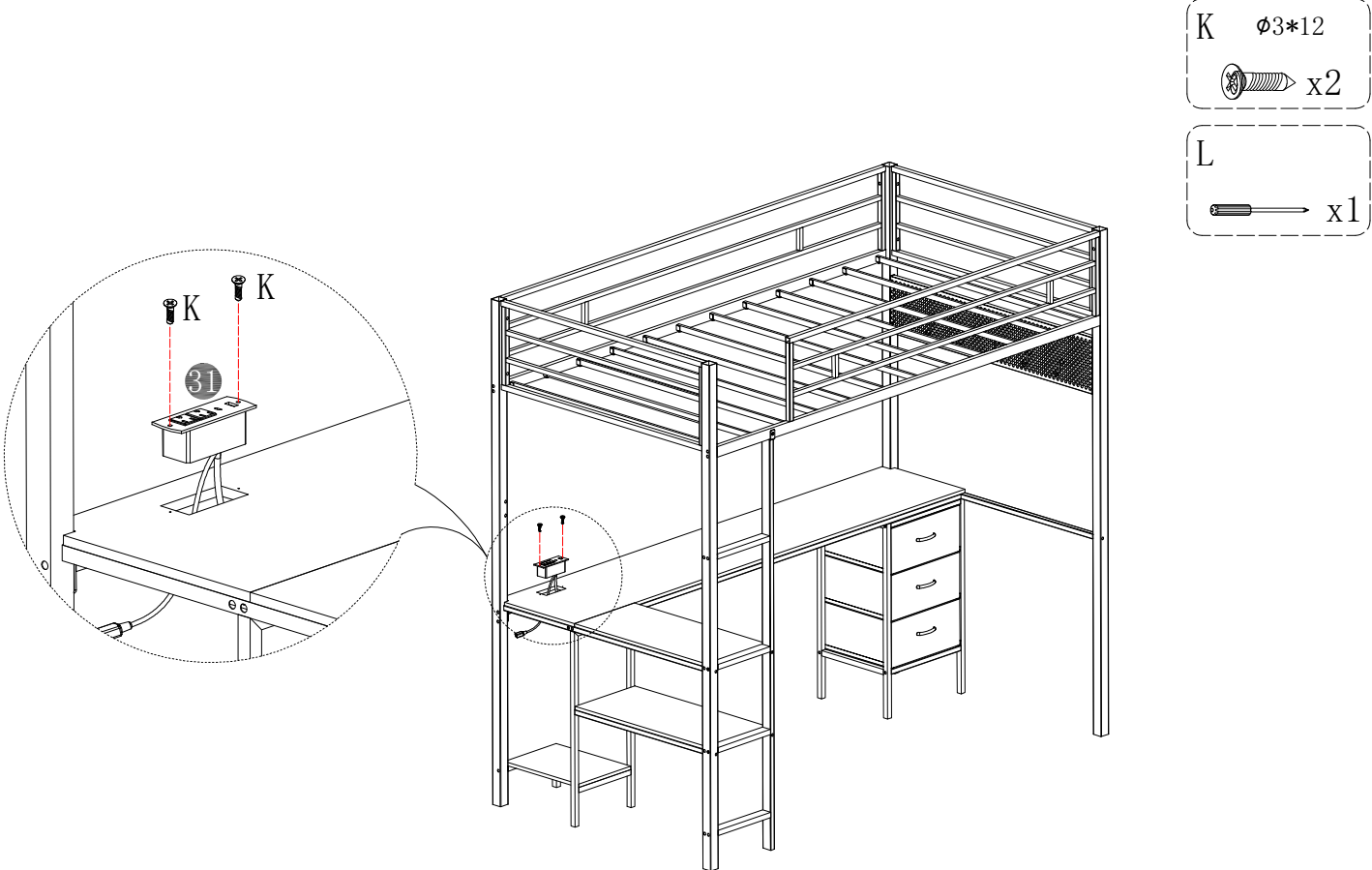


Assembly Instruction

21





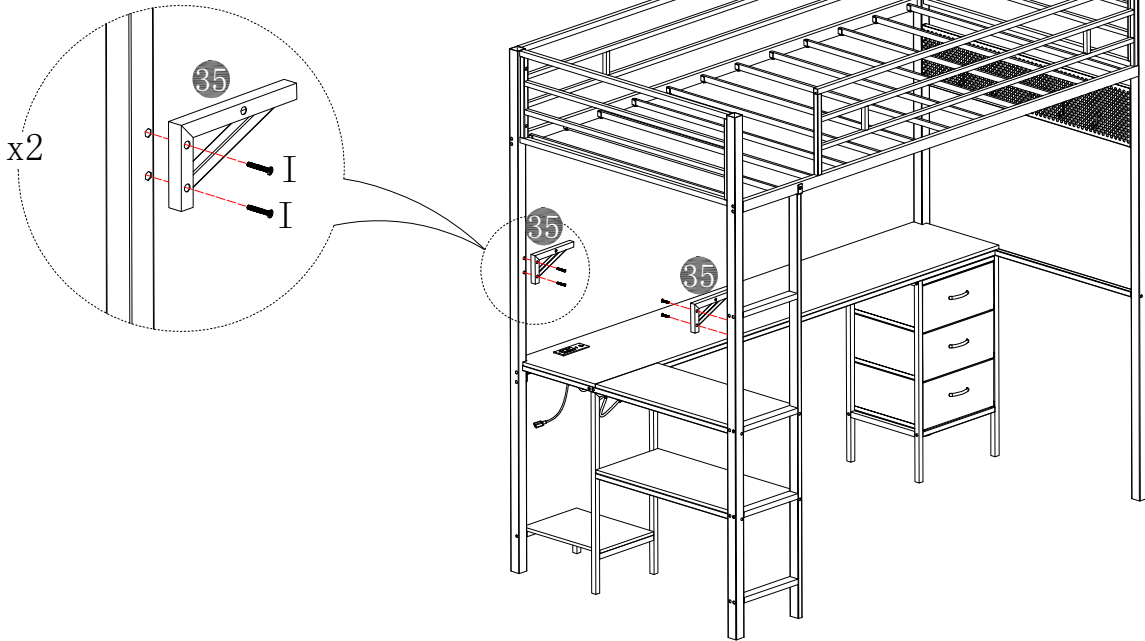
22





Assembly Instruction

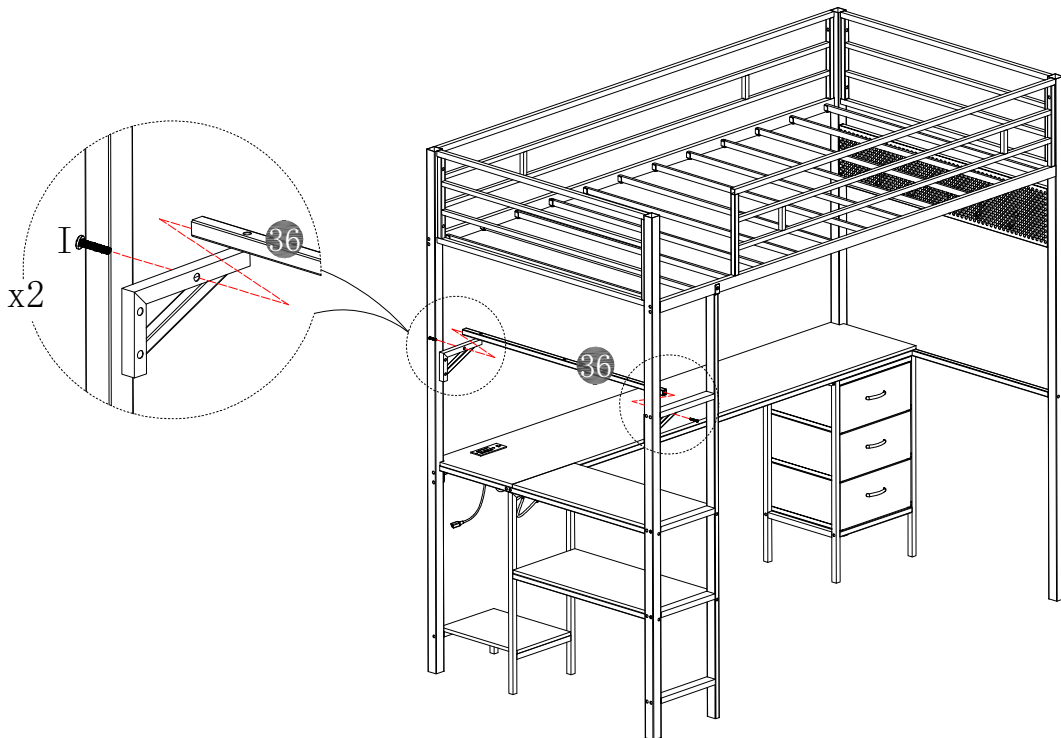
23

- I M6*35
 x4
- O S4
 x1



24


- I M6*35
 x2
- O S4
 x1




Assembly Instruction

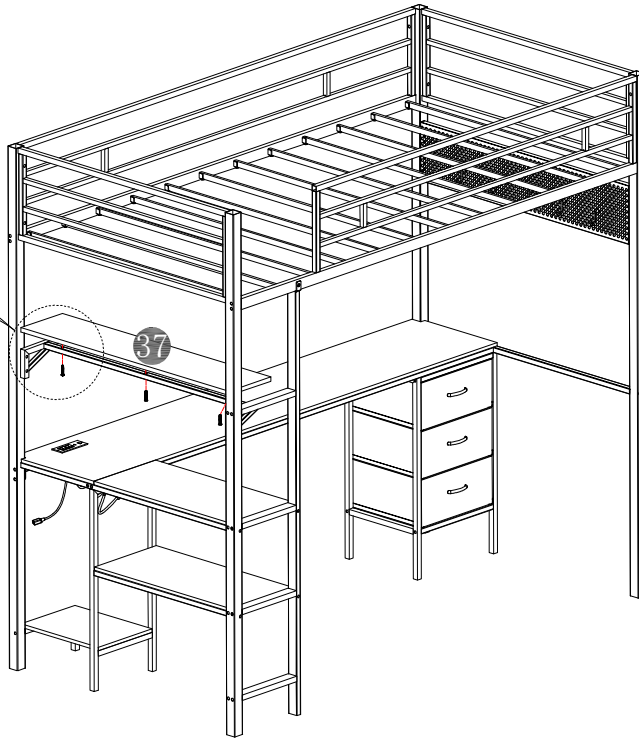
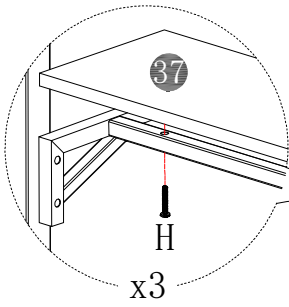
25

H M6*28

 x3


O S4

 x1




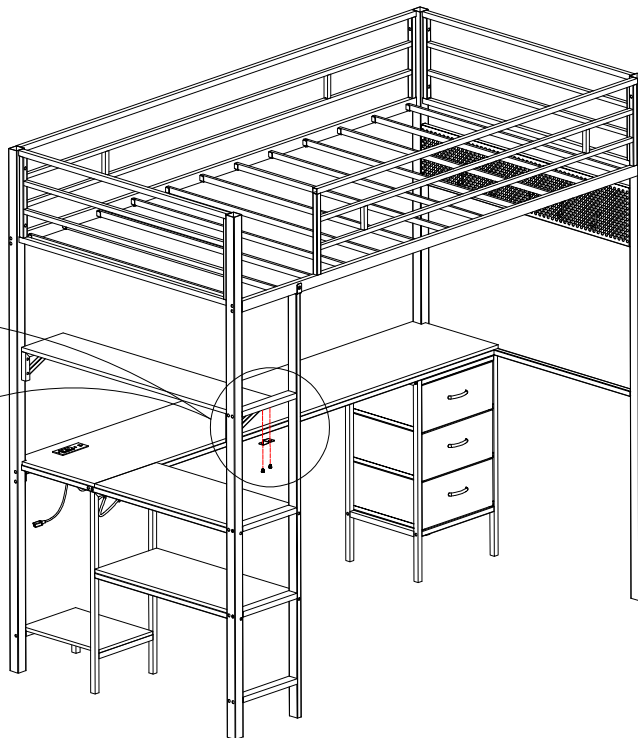
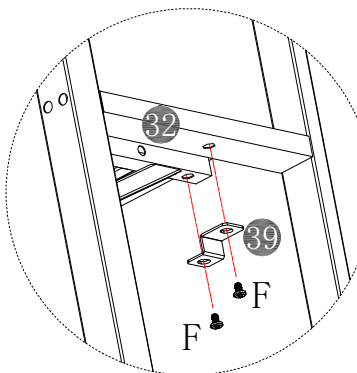
26

F M6*10

 x2

O S4

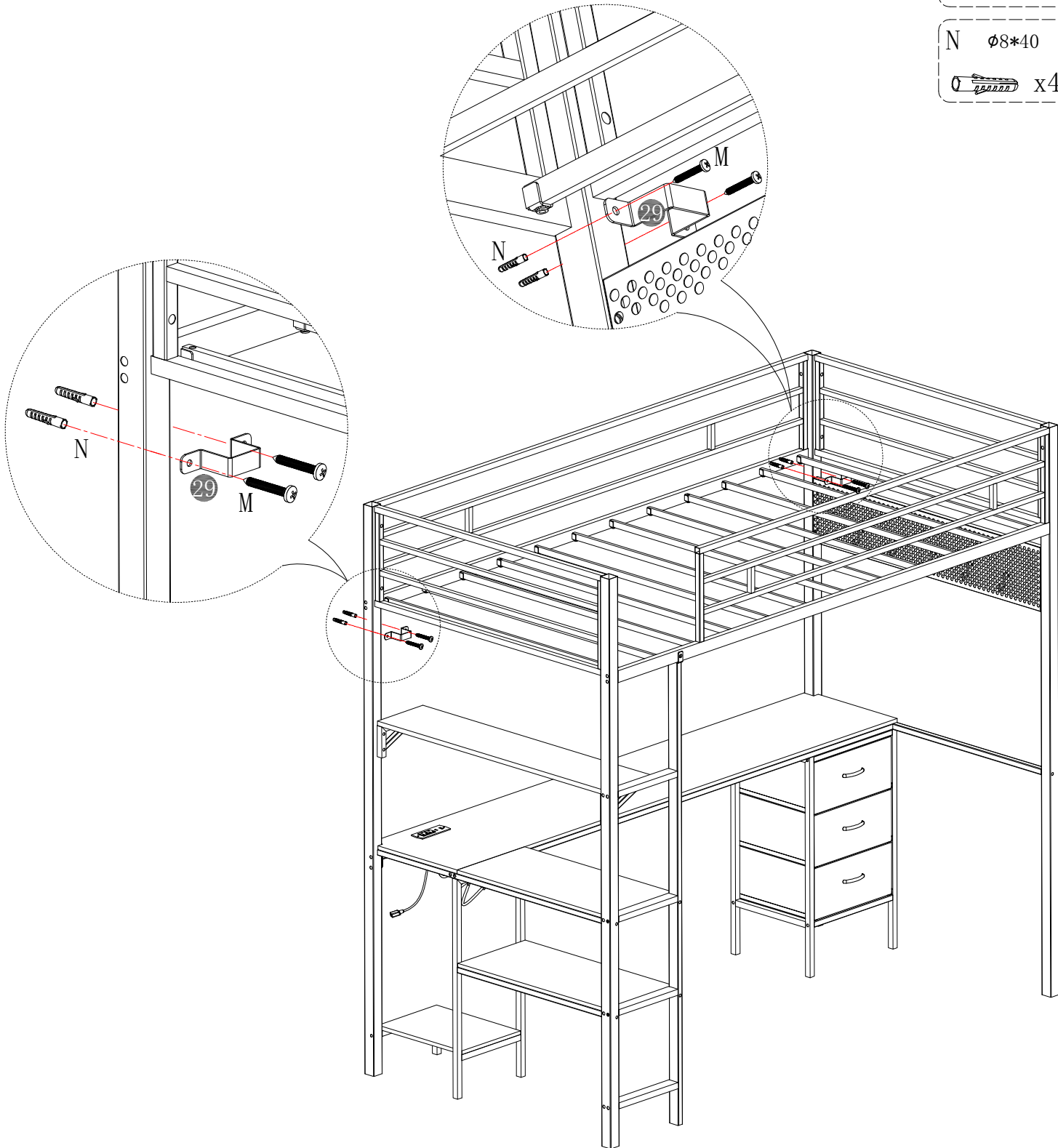
 x1



Assembly Instruction

M M5*30
x4

N Ø8*40
x4



Assembly Instruction

28

DIY LED

