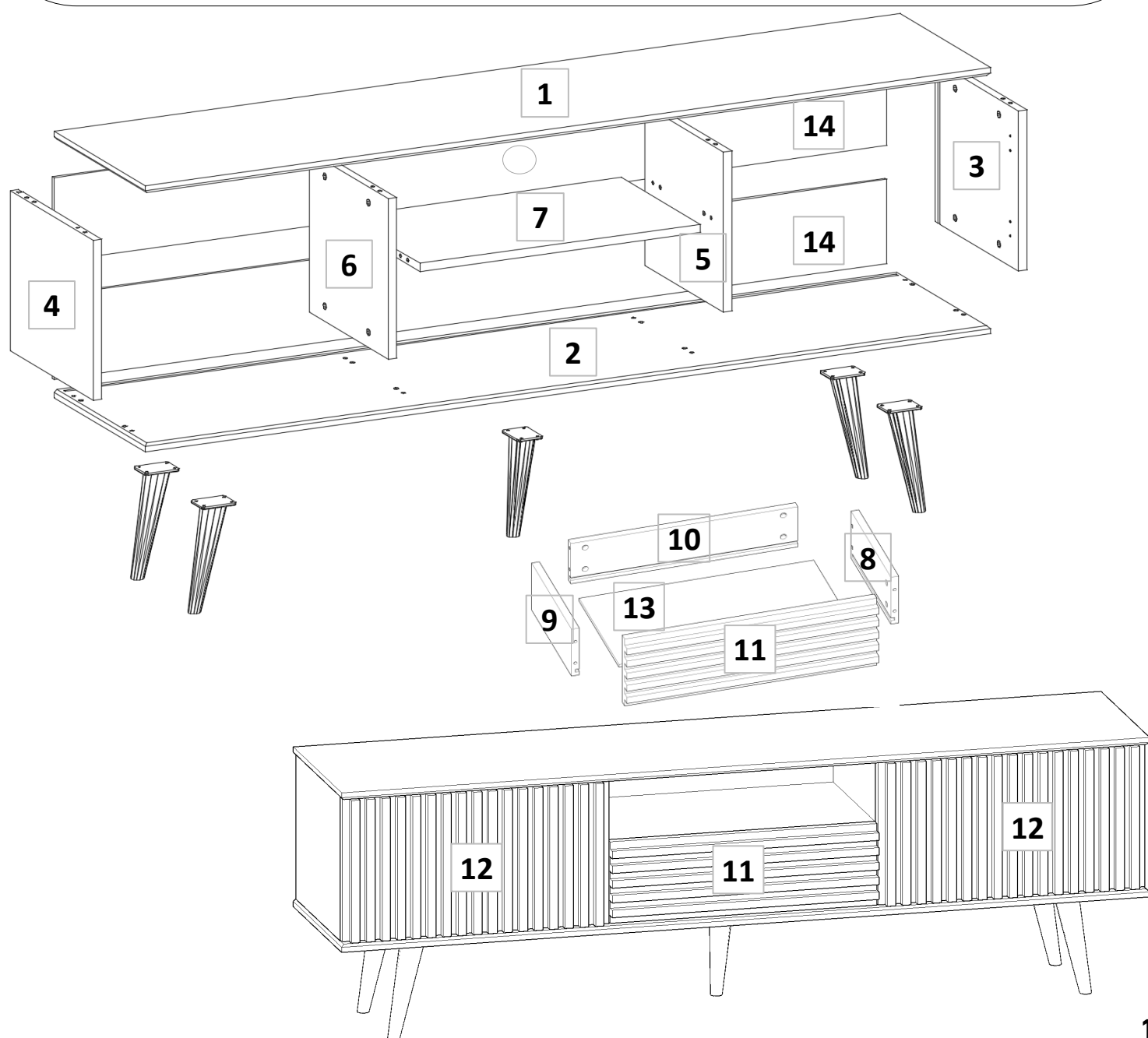


We're here to help - Do not return this product !

Call, email or find us online first !

- If you need help with assembly
- If you received a damaged or defective part
- If you are missing hardware



Read these assembly instructions carefully before beginning. Verify that you have in hands all the wood parts and hardware. Keep this document for future reference.



Two people are required to assemble and move this unit.



Safety First! Do not allow children to climb on or play with furniture.

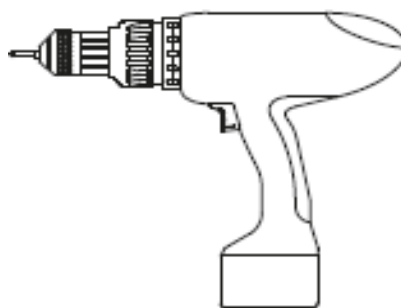
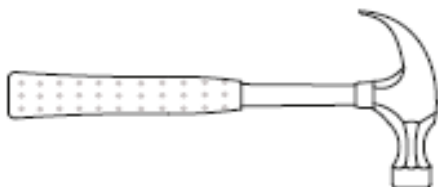
www.Jowis
Windows.com




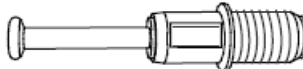

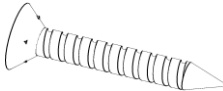
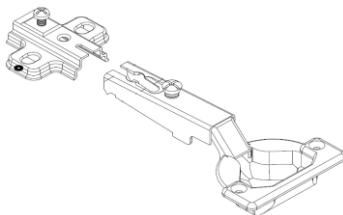
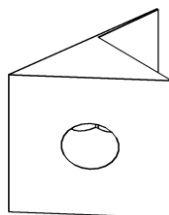
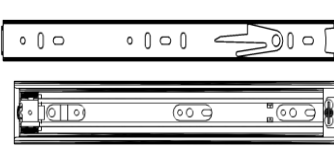
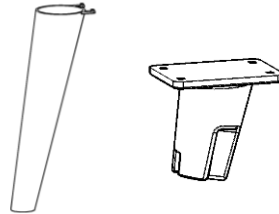

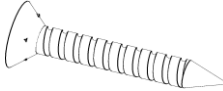
Never leave liquids or damp clothes on your furniture. Never use chemical product to clean your furniture. Do not place your furniture in direct sunlight.

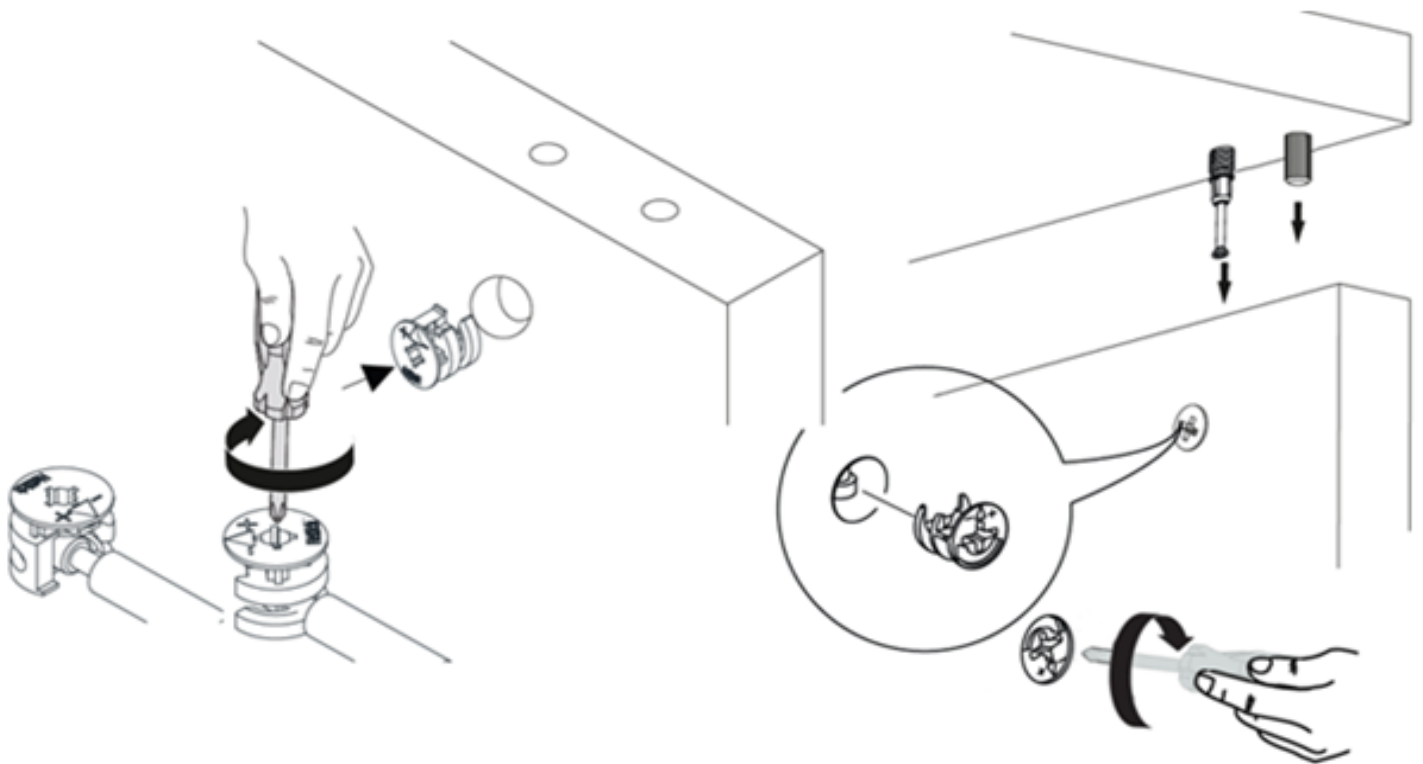
To clean your furniture, dampen a soft cloth with a mild solution of dishwashing liquid. Squeeze excess water. Clean unit and wipe it dry.

Tools required

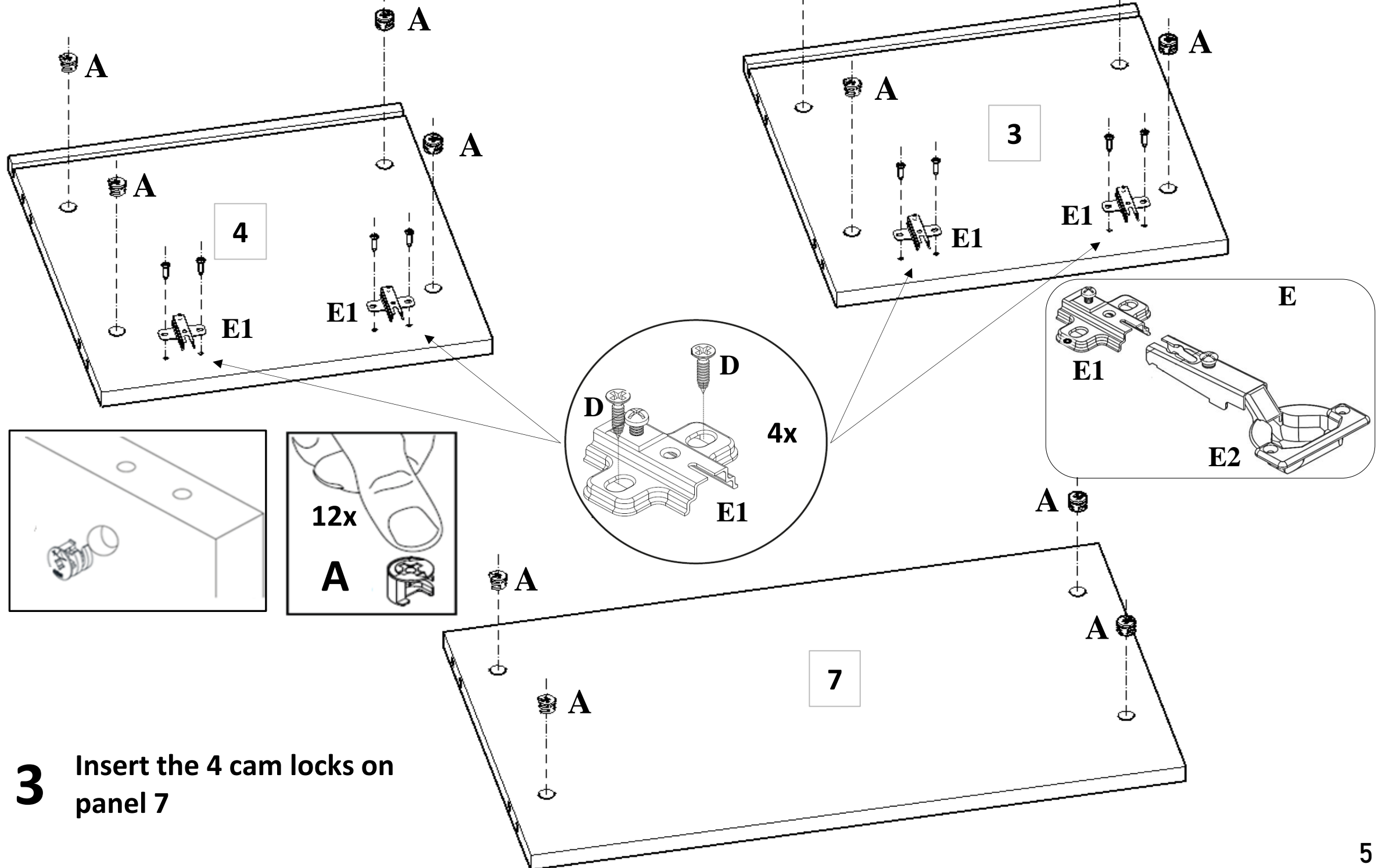


Hardware List

<p>28x</p> <p>A</p> 	<p>28x</p> <p>B</p> 	<p>20x</p> <p>C</p> 
<p>41x</p> <p>D</p> 	<p>4x</p> <p>E</p> 	<p>8x</p> <p>F</p> 
<p>1x</p> <p>G</p> 	<p>5x</p> <p>H</p> 	<p>28x</p> <p>J</p> 
<p>20x</p> <p>K</p> 		

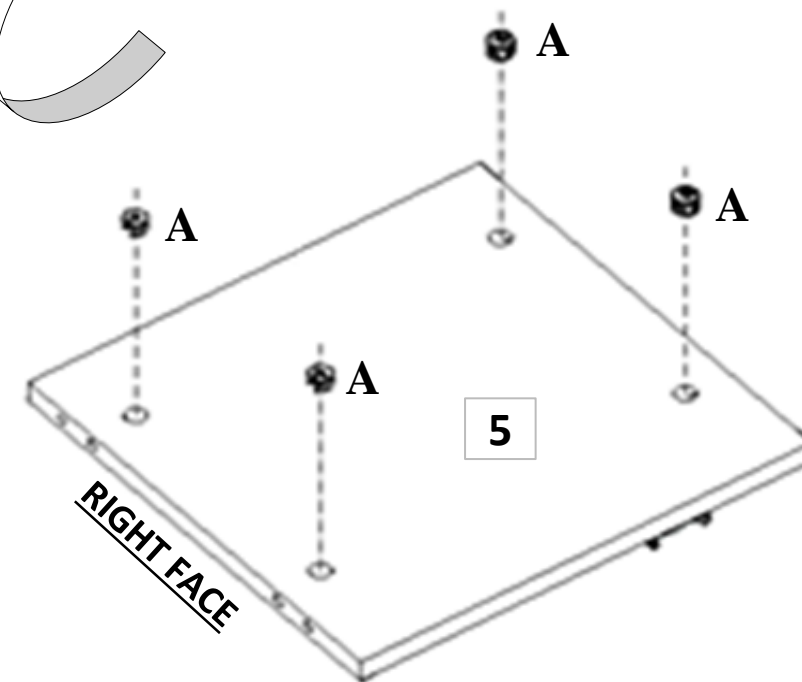
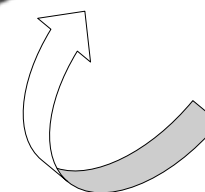
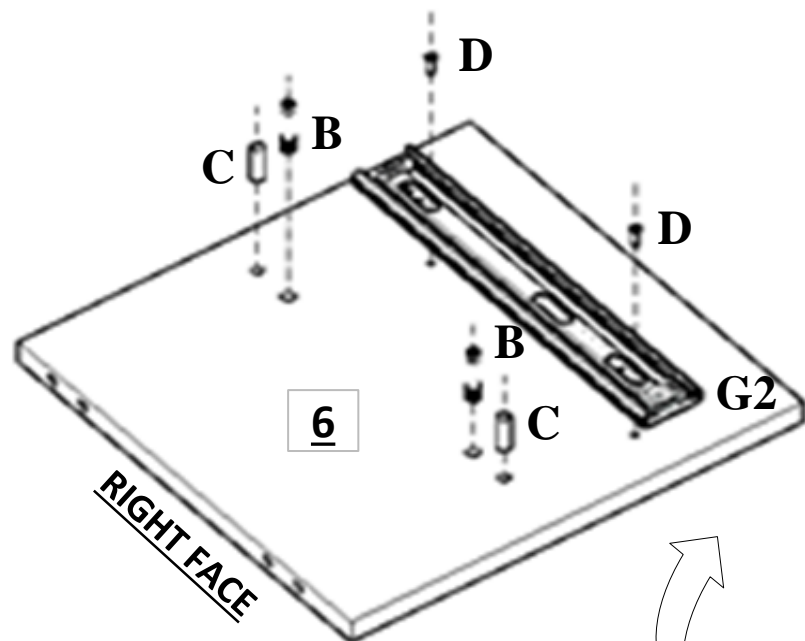
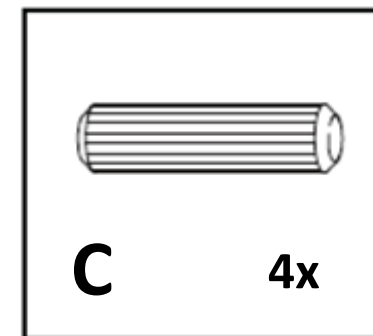
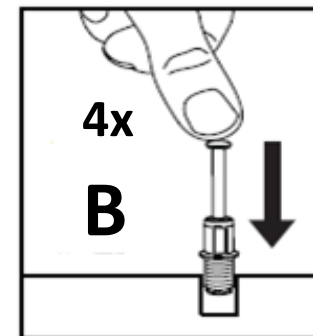
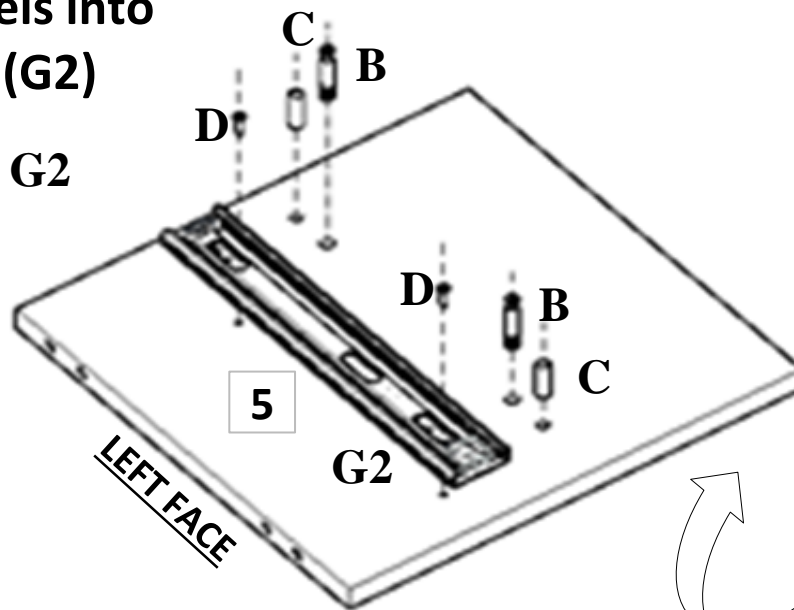
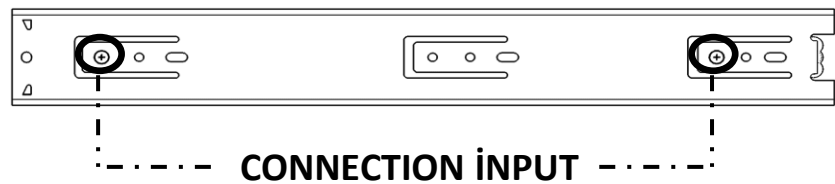


2 Insert the 8 cam locks into the panels 3,4 no and Fasten the 4 hinges (E1) to the panel 2

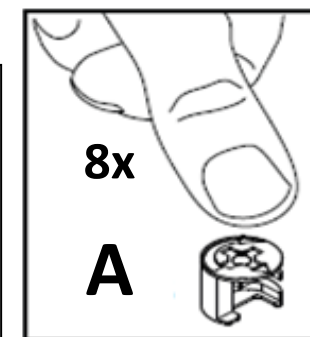
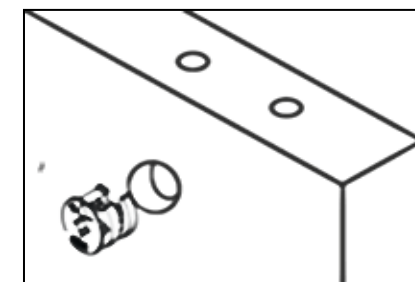
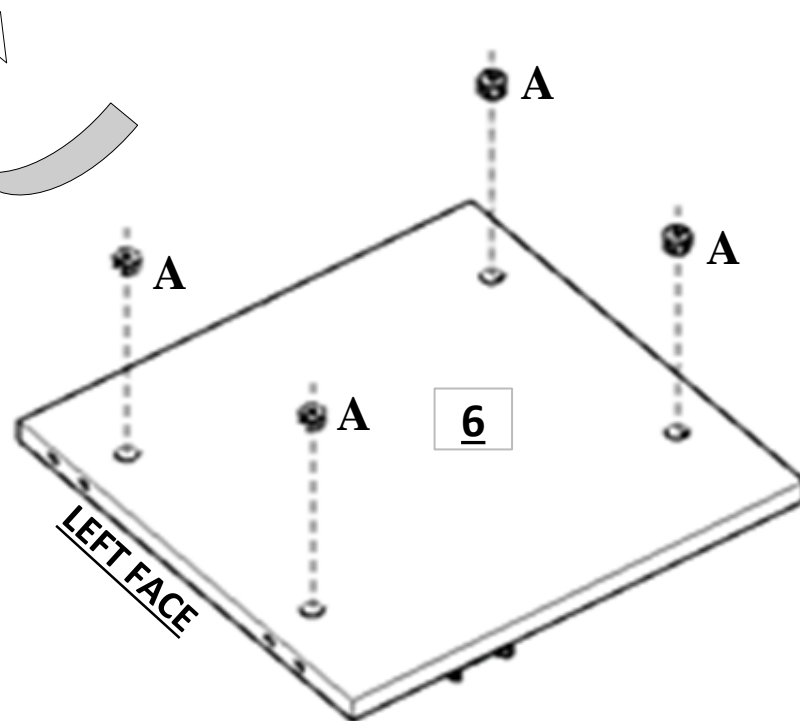


3 Insert the 4 cam locks on panel 7

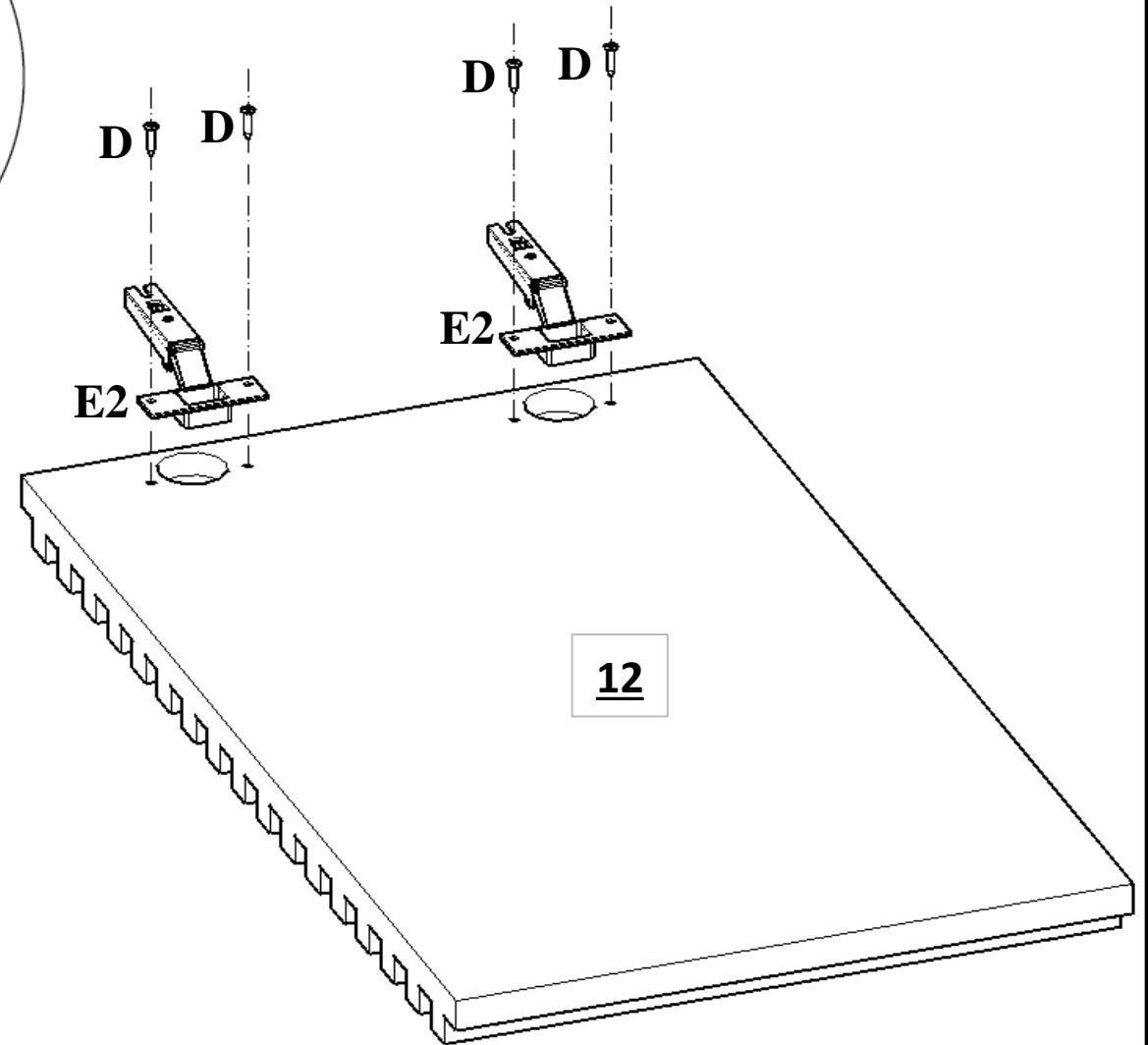
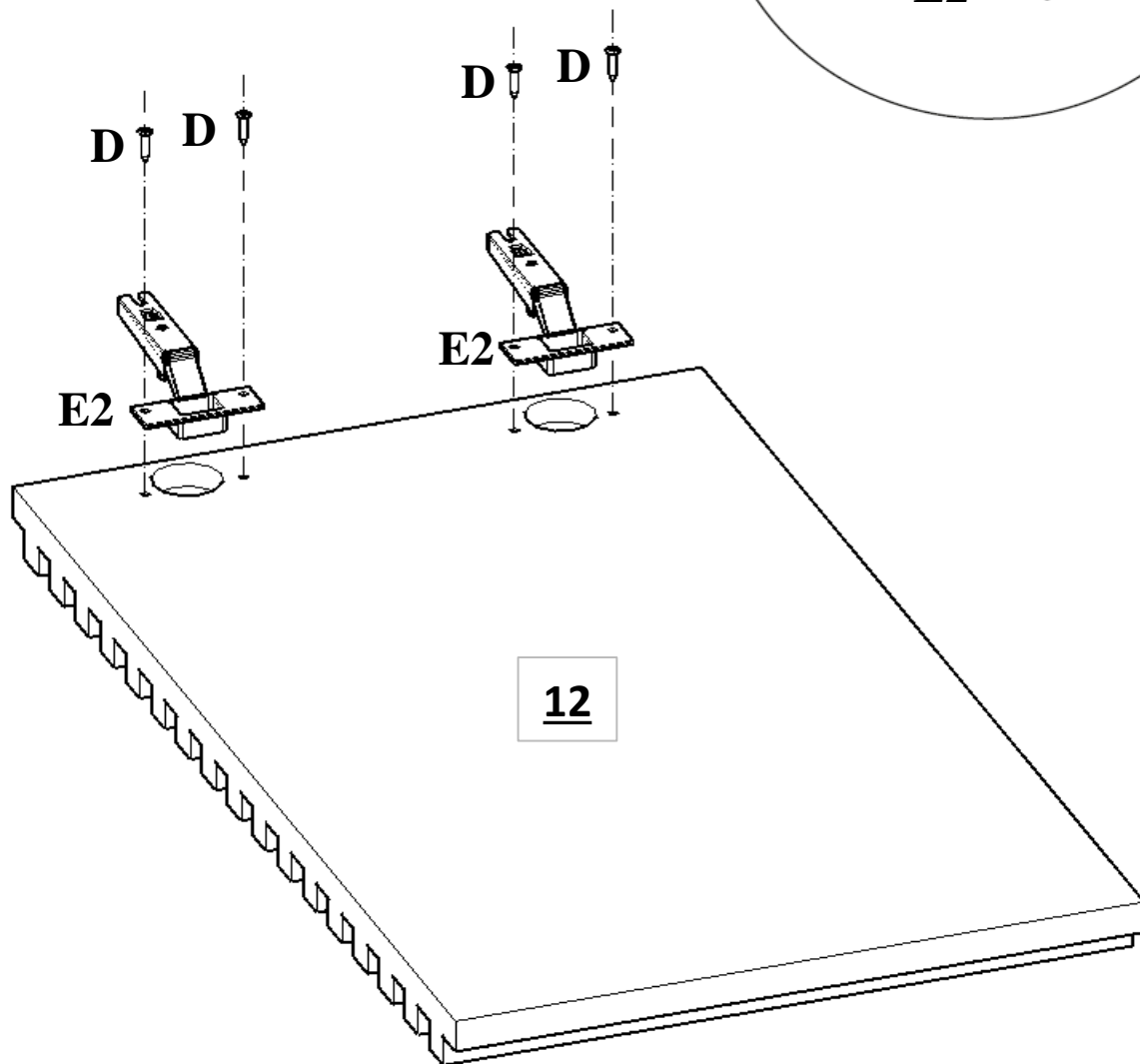
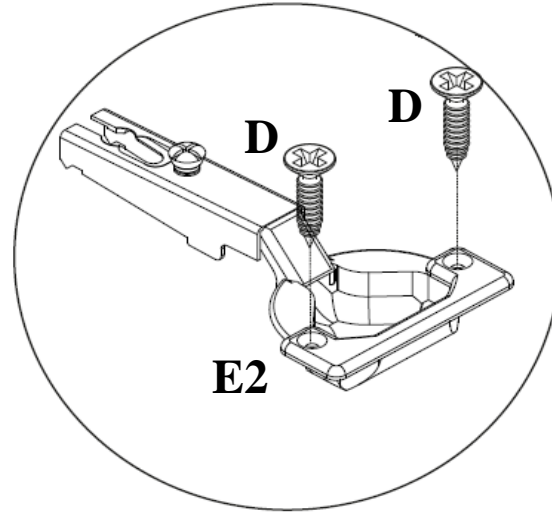
4 Install the 4 push bolts and 4 dowels into the panels 6,5 and install the rails (G2)



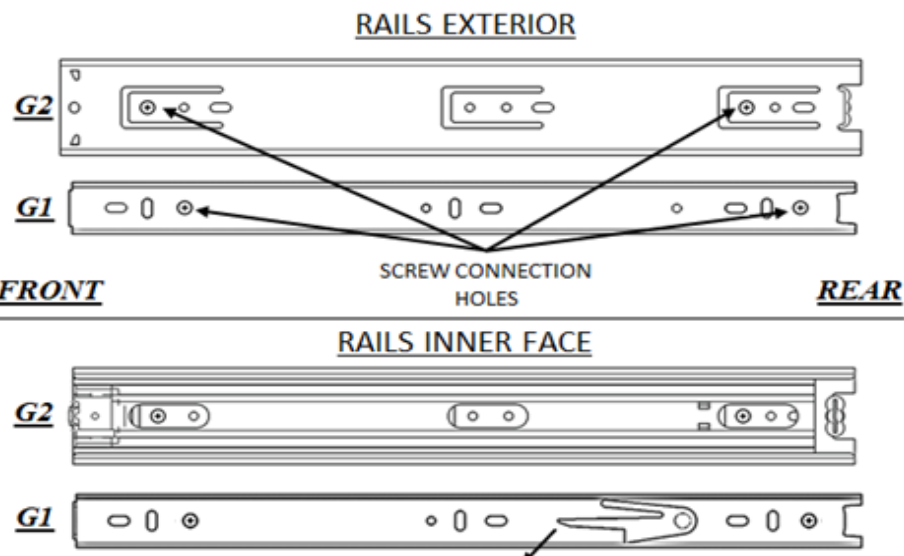
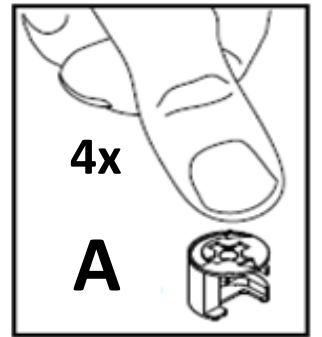
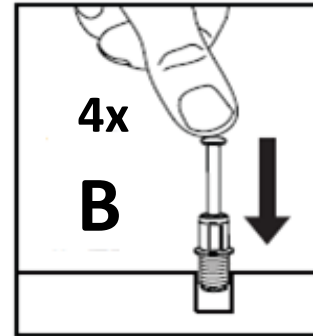
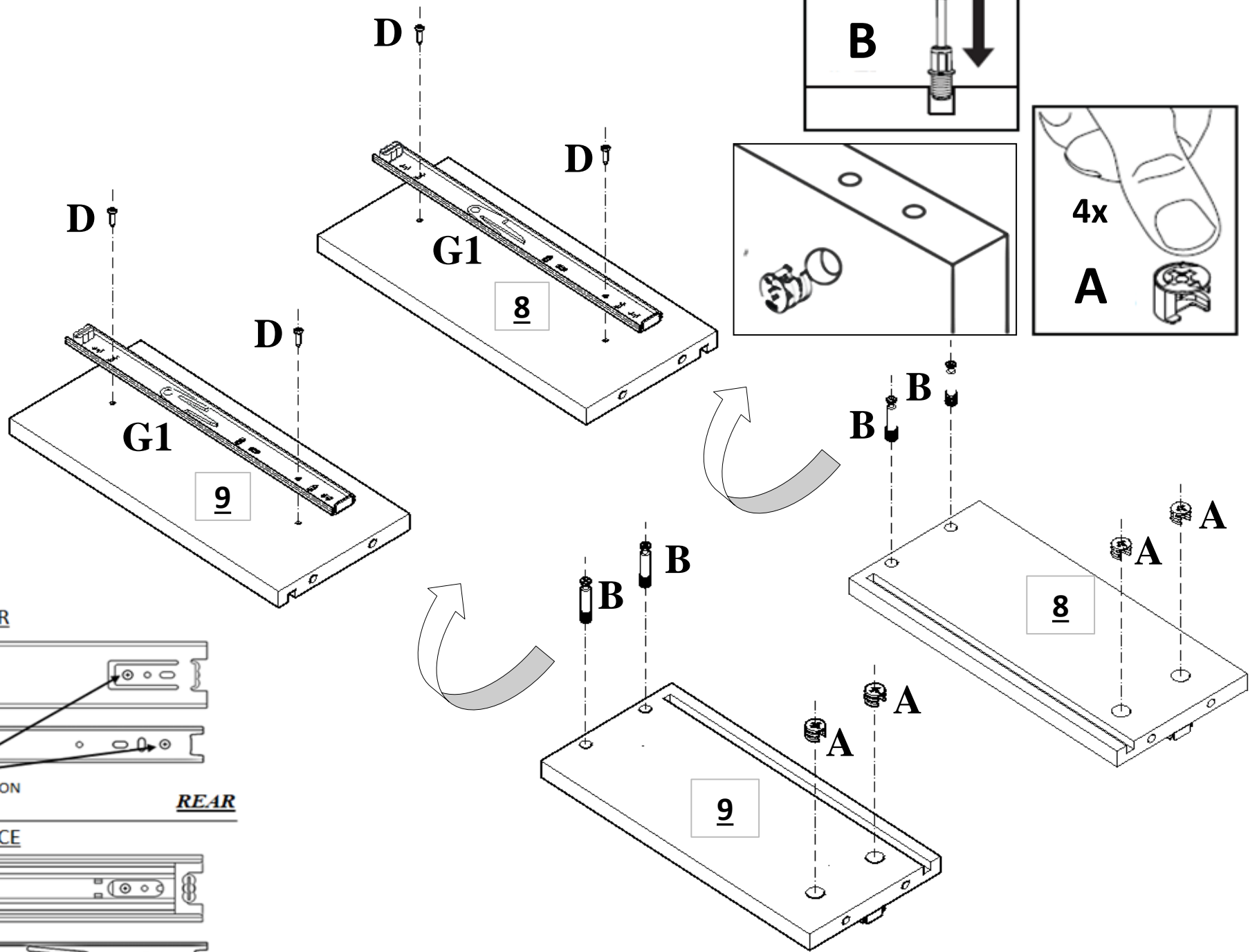
5 Insert the 8 cam locks on panels 6 and 5



6 Fasten the 4 hinges (E2) to a pair of 2 doors 12

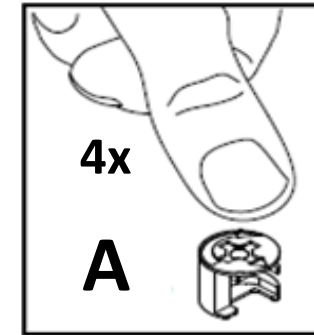
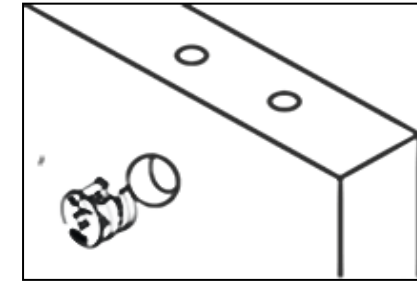
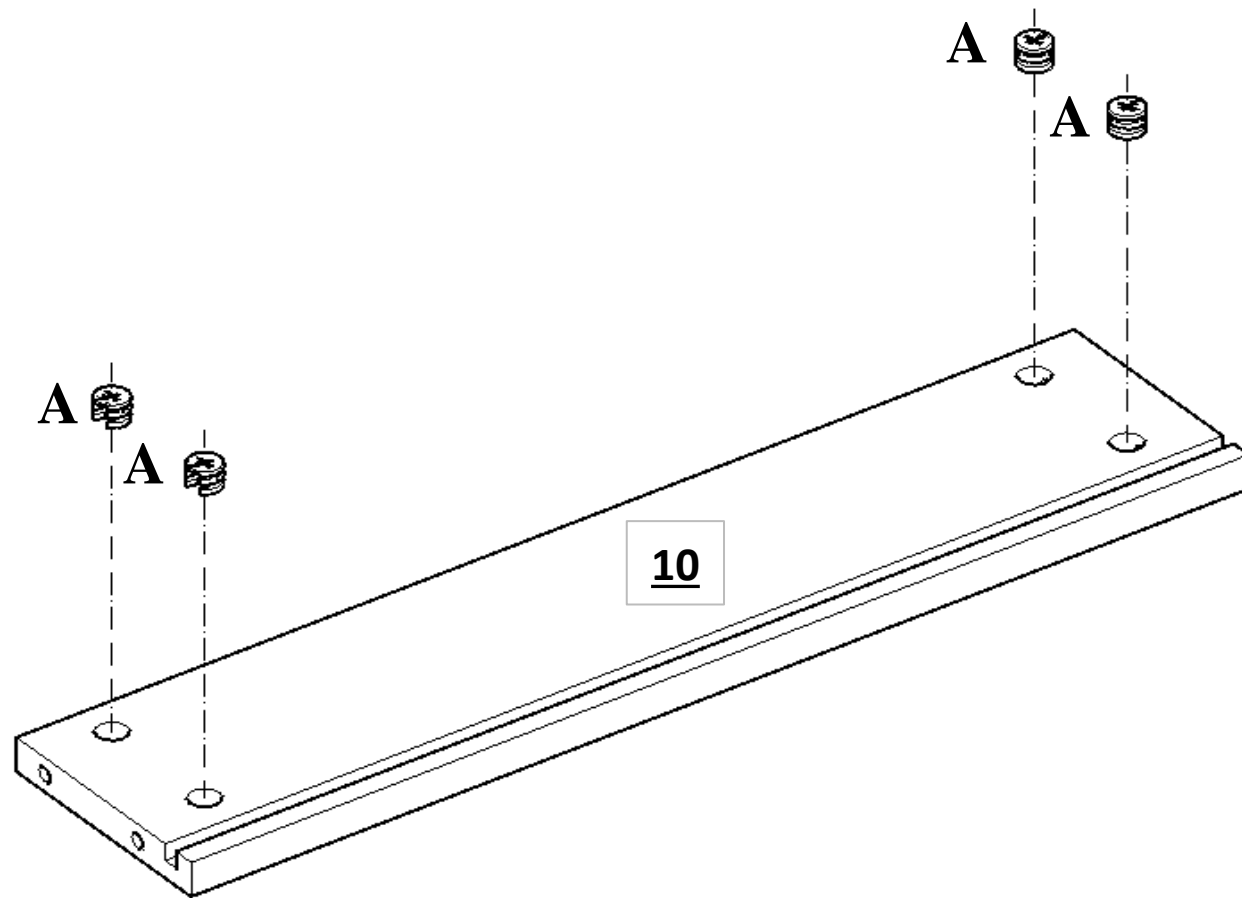


7 Attach the rails (G1) to the outer faces of panels 8 and 9. and, Install the 4 cam locks and the 4 camshafts on their inside faces.

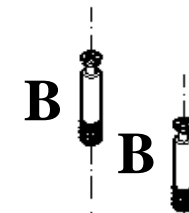
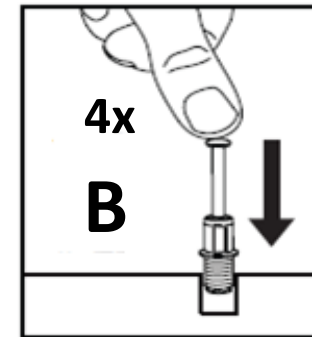
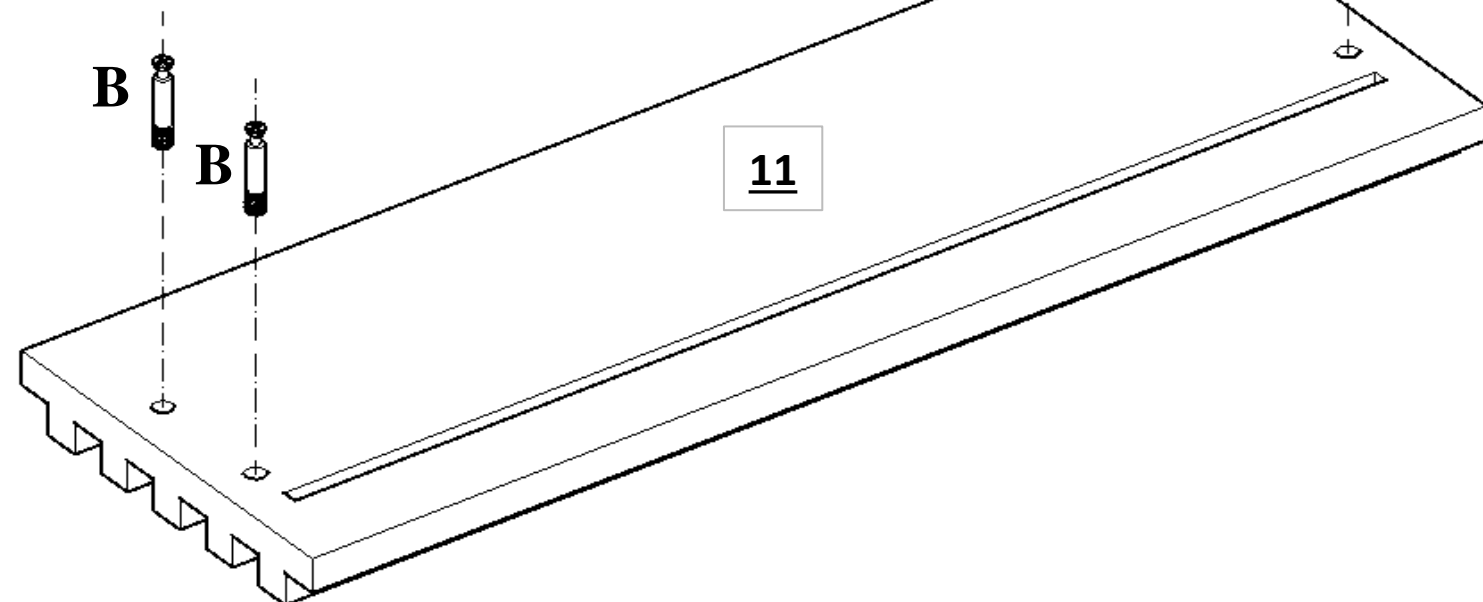


TO SEPERATE THE RAIL WHEN YOU OPEN TO THE END ; JUST PUSH THE LATCH DOWN.

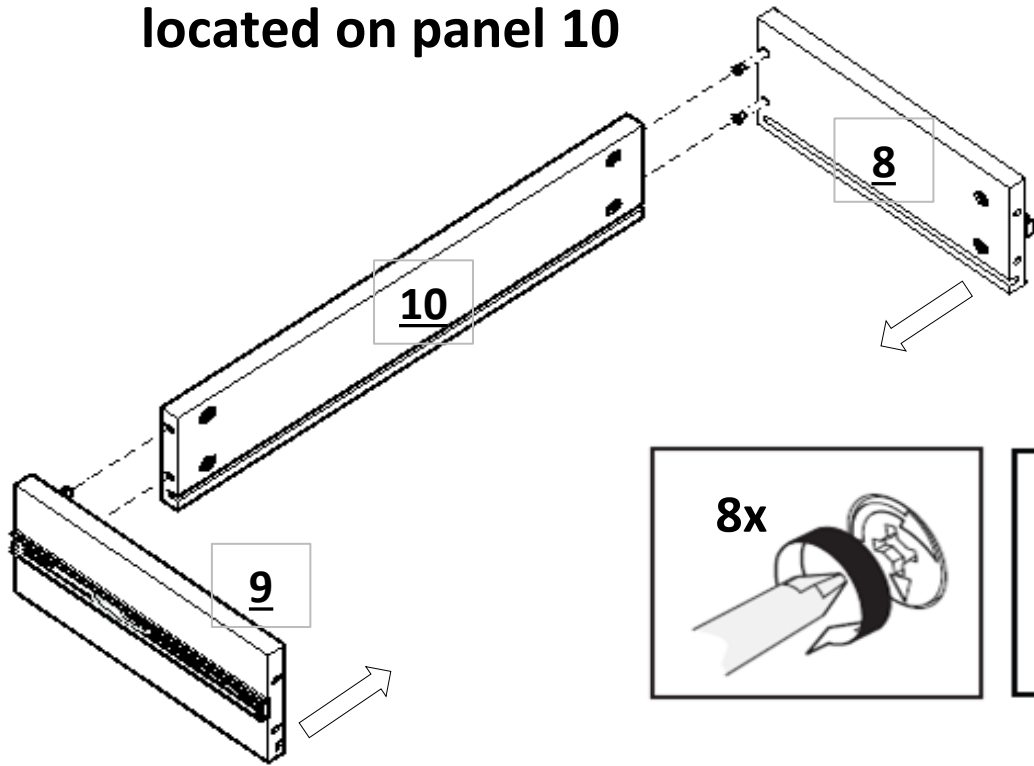
8 Insert the 4 cam locks into the panel 10.



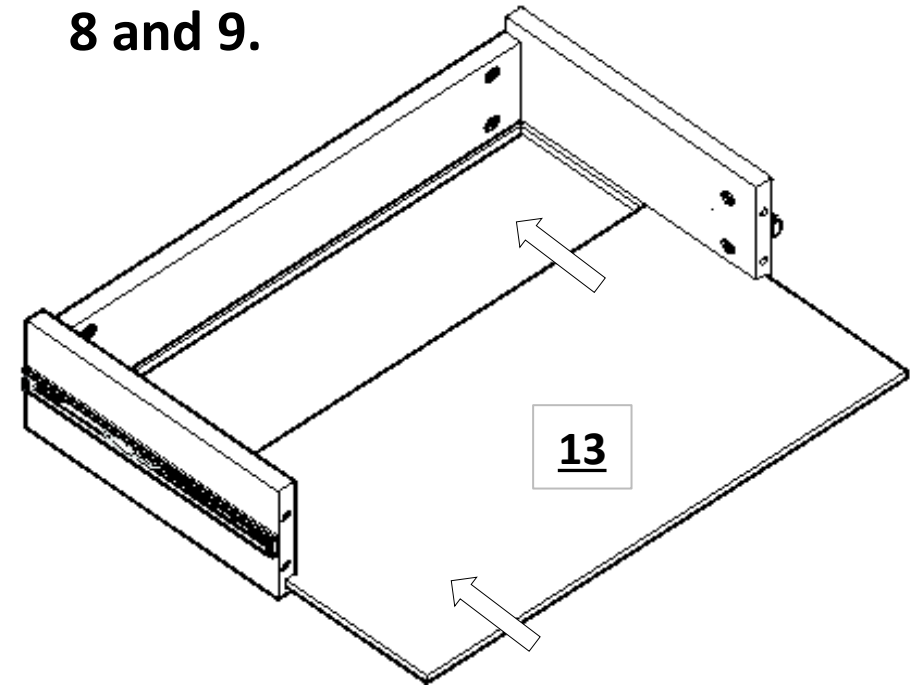
9 Install the 4 push bolts into the panel 11.



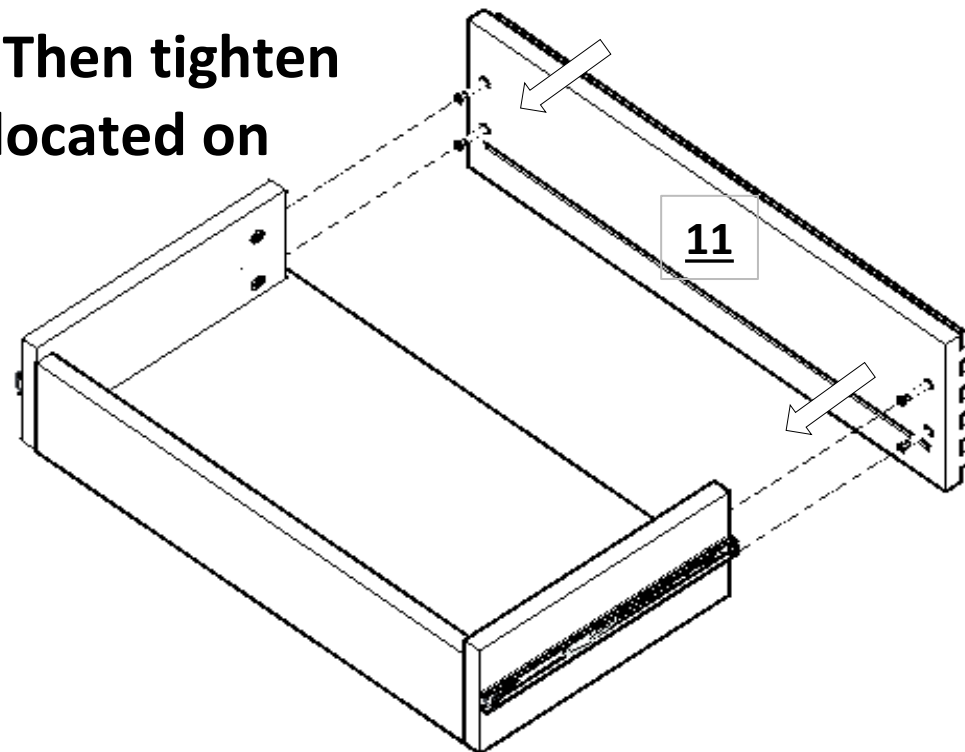
10 Fasten the panels 8 and 9 to the panel 10. Then tighten the 4 cam locks located on panel 10



11 Push panel 13 along the grooves at 8 and 9.



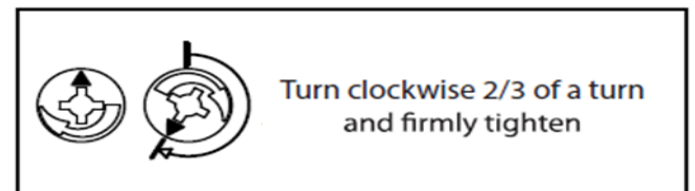
12 Install panel 11. Then tighten the 4 cam locks located on panels 8 and 9.



J

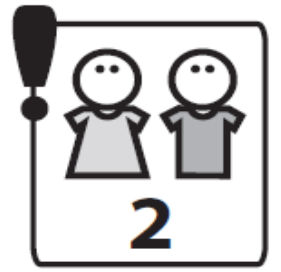
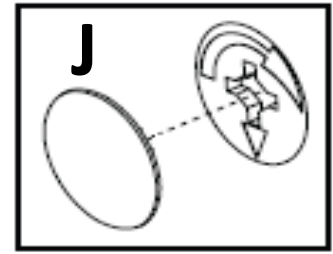
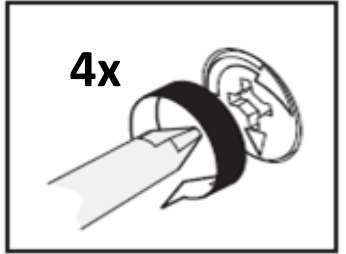
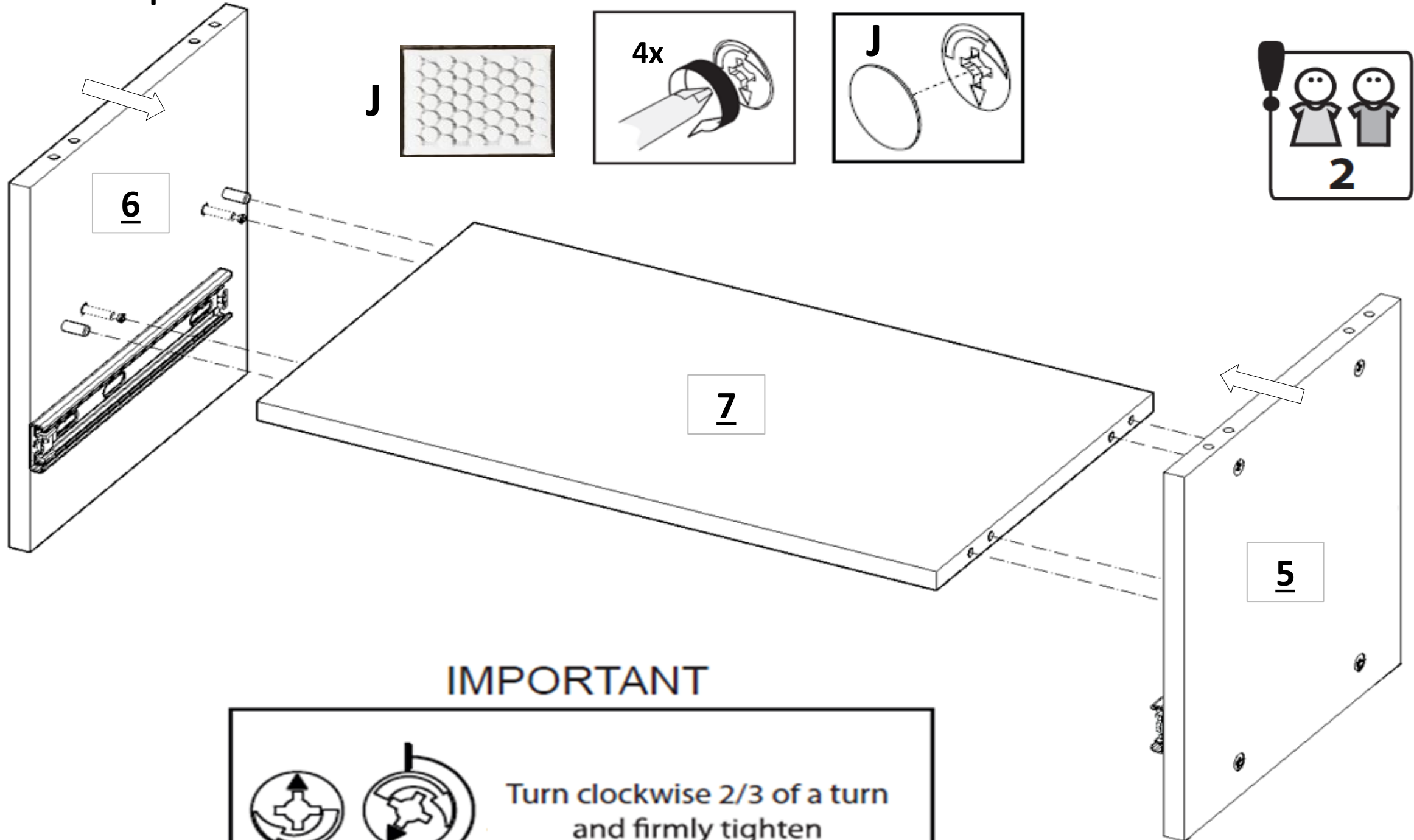


IMPORTANT

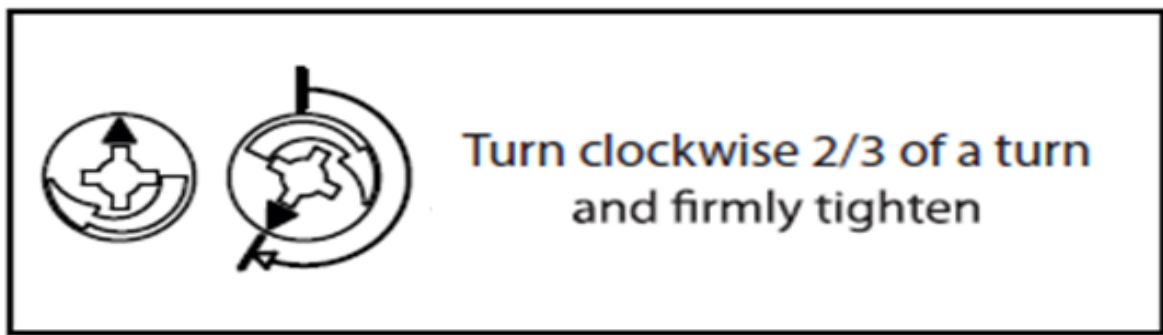


13

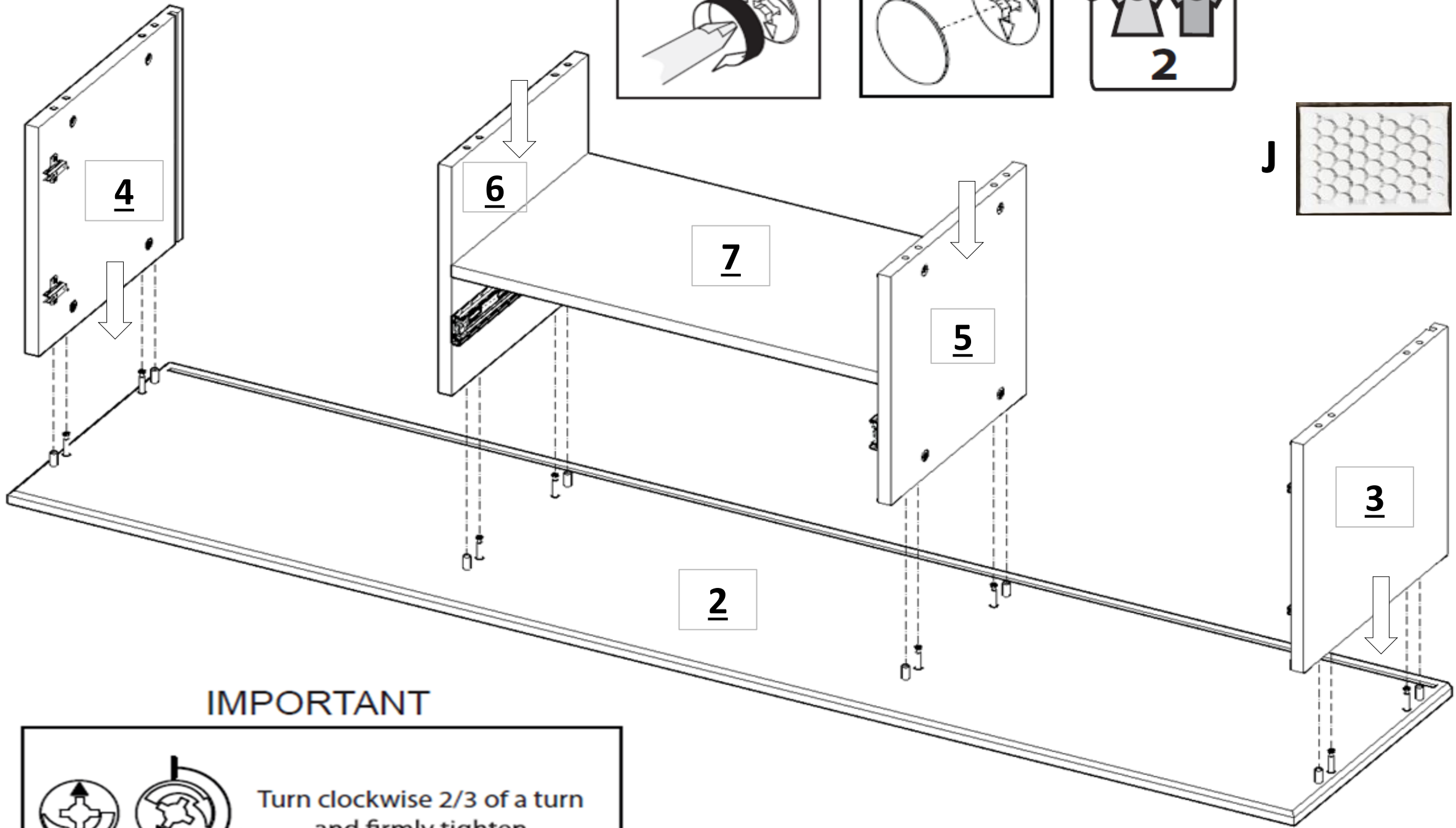
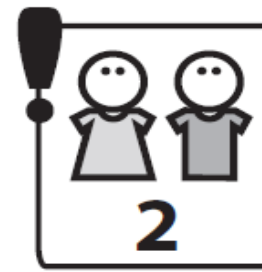
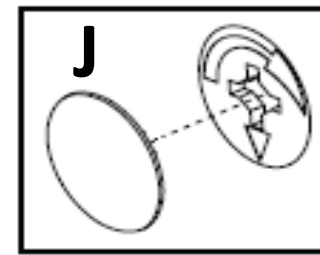
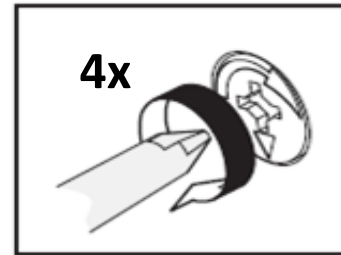
Fasten the panels 5 and 6 to the panel 7. Then tighten the 4 cam locks located on panel 7.



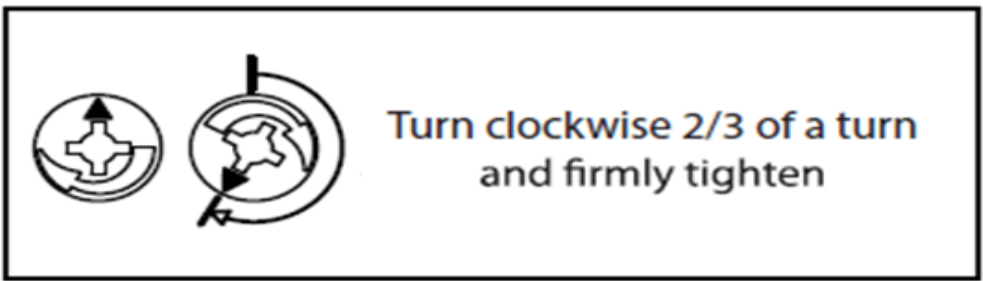
IMPORTANT



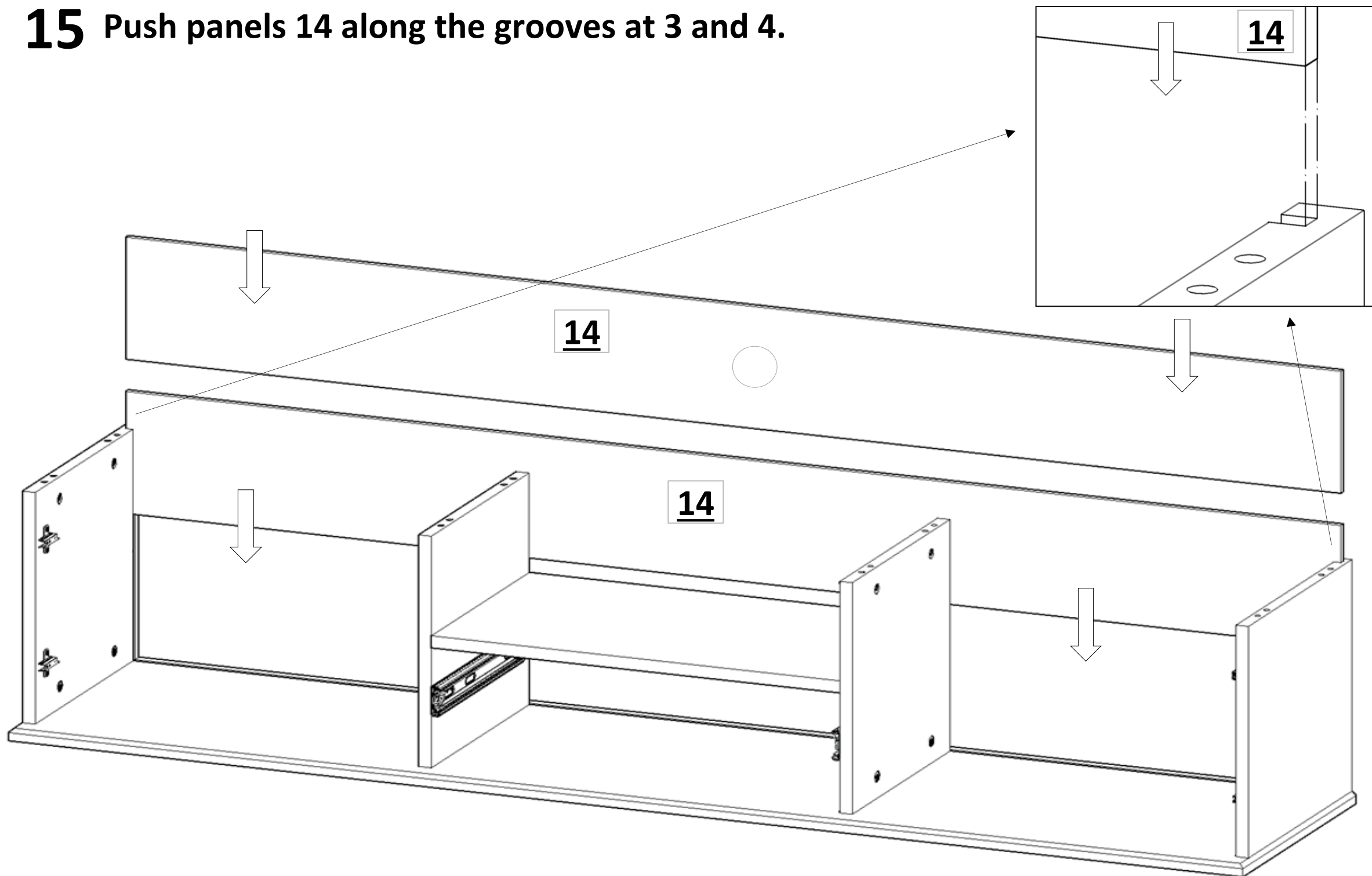
14 Fasten the panels 3,4,5 and 6 to the panel 2. Then tighten the 8 cam locks located on panels 3,4,5 and 6.



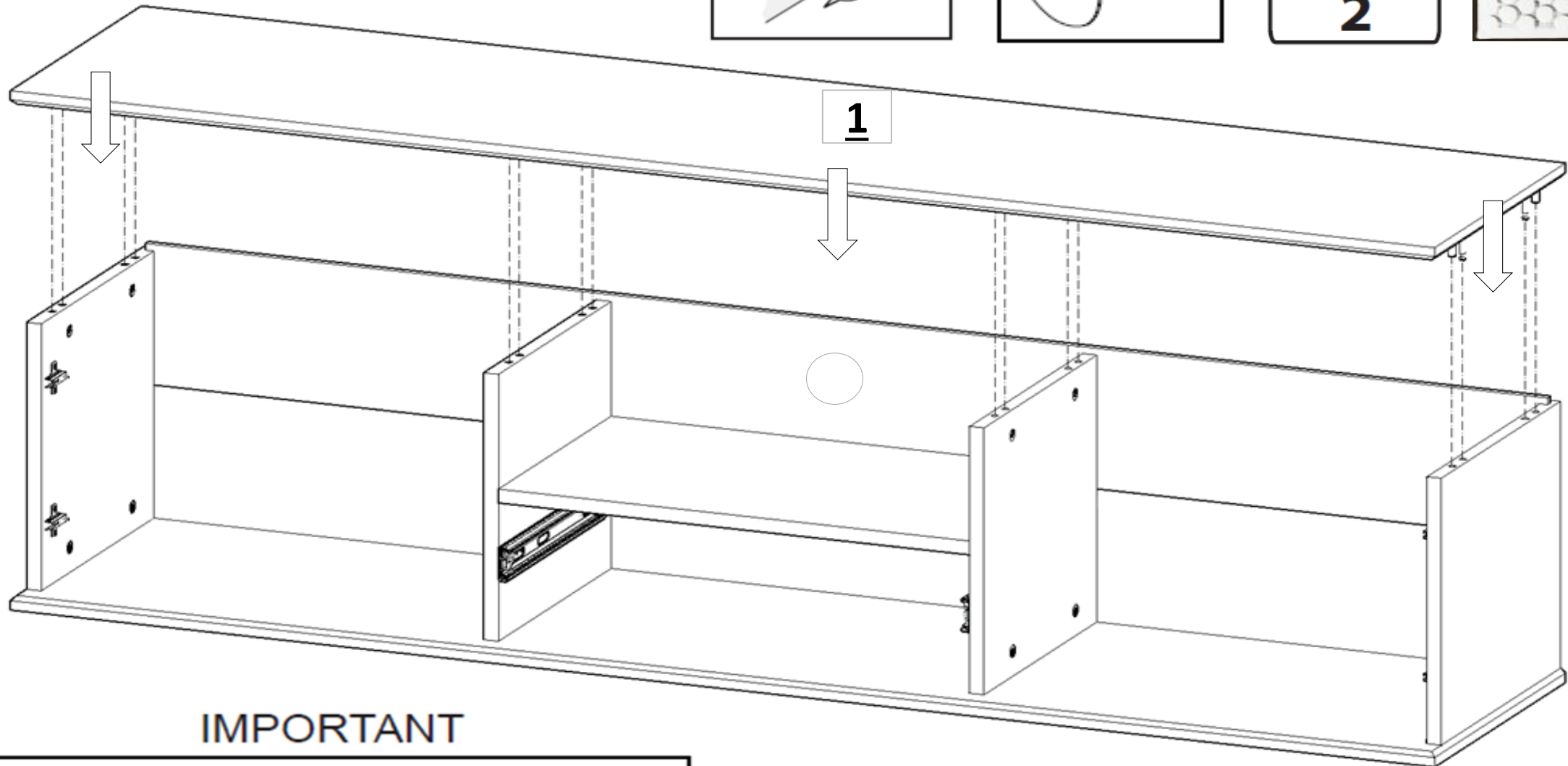
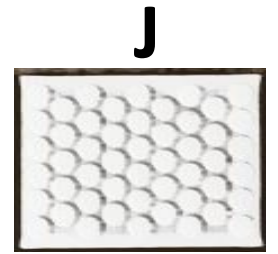
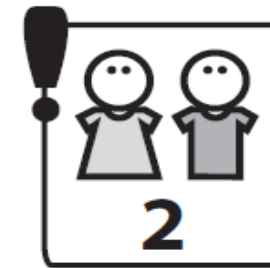
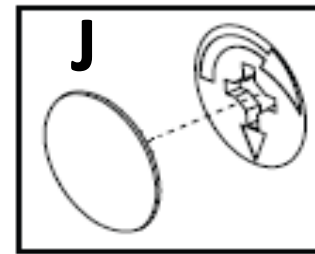
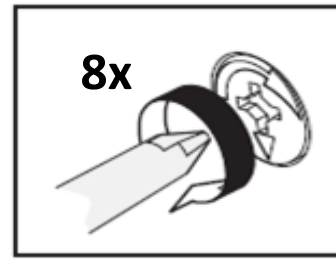
IMPORTANT



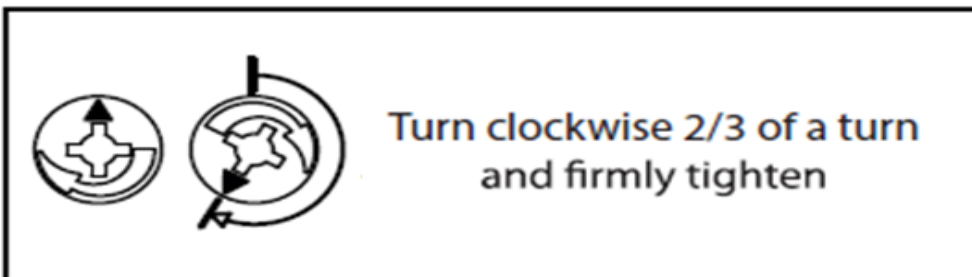
15 Push panels 14 along the grooves at 3 and 4.



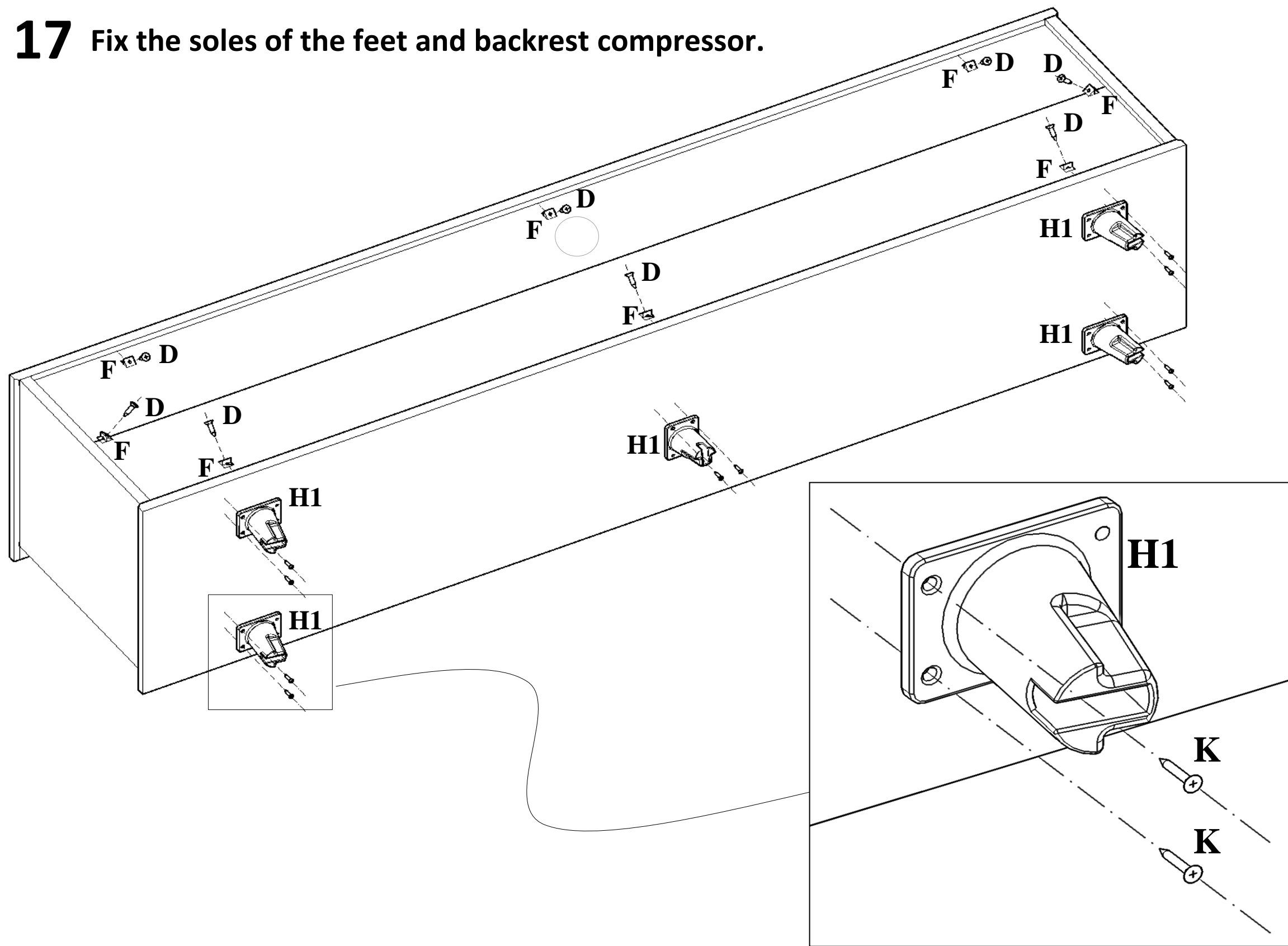
16 Fasten the panel 1 to panels 3,4,5 and 6. Then tighten the 8 cam locks located on panels 3,4,5 and 6.



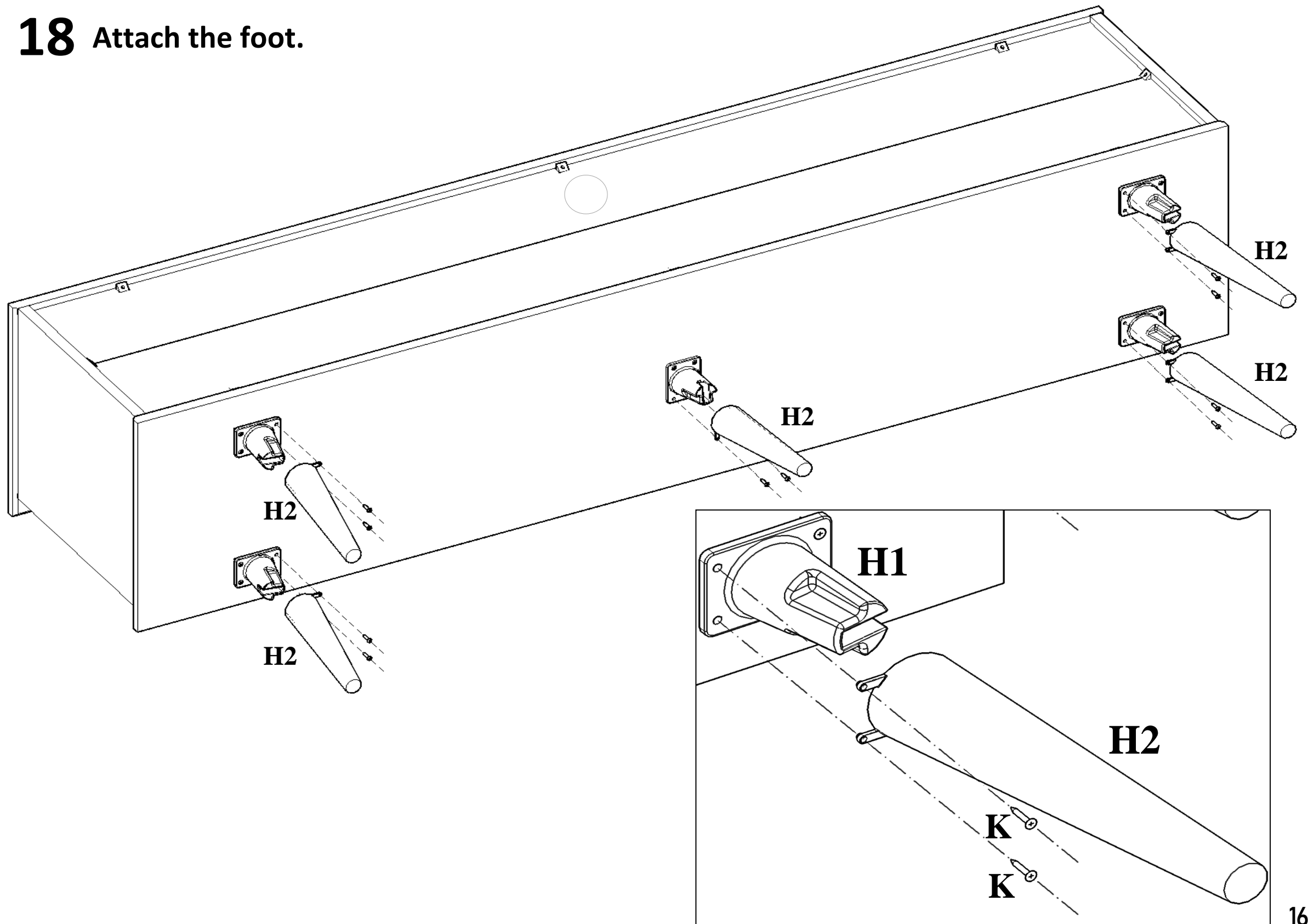
IMPORTANT



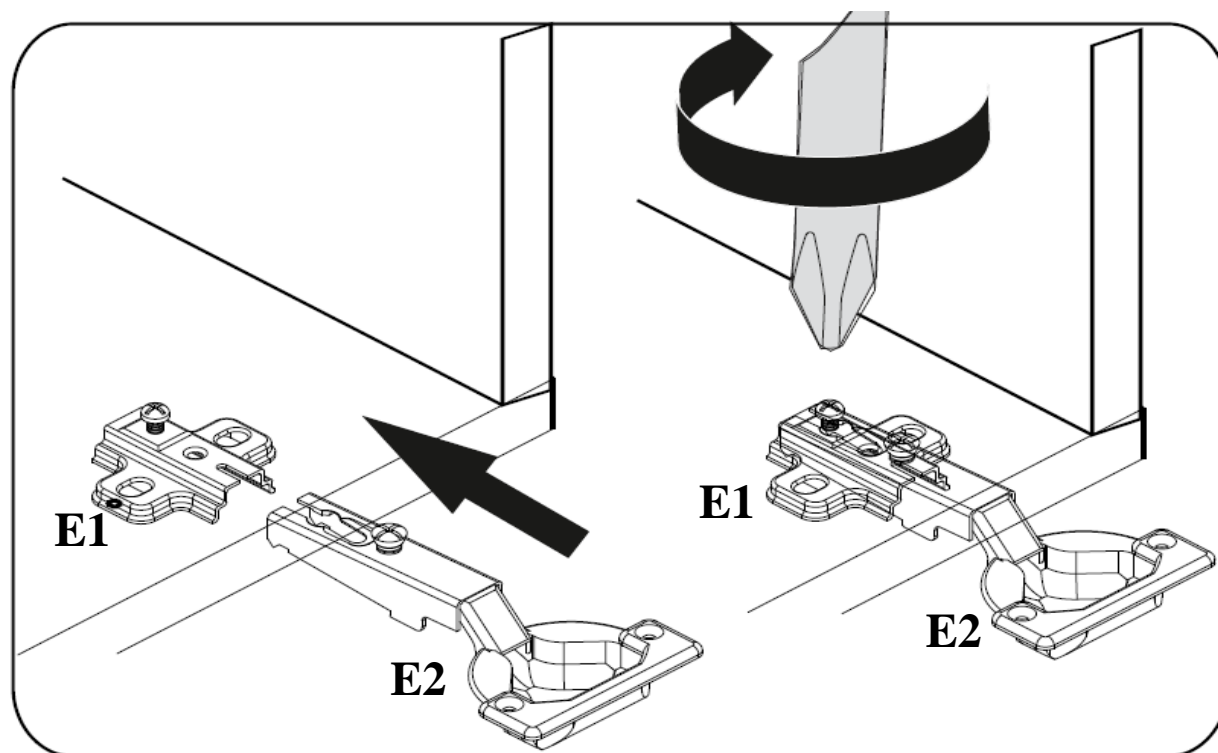
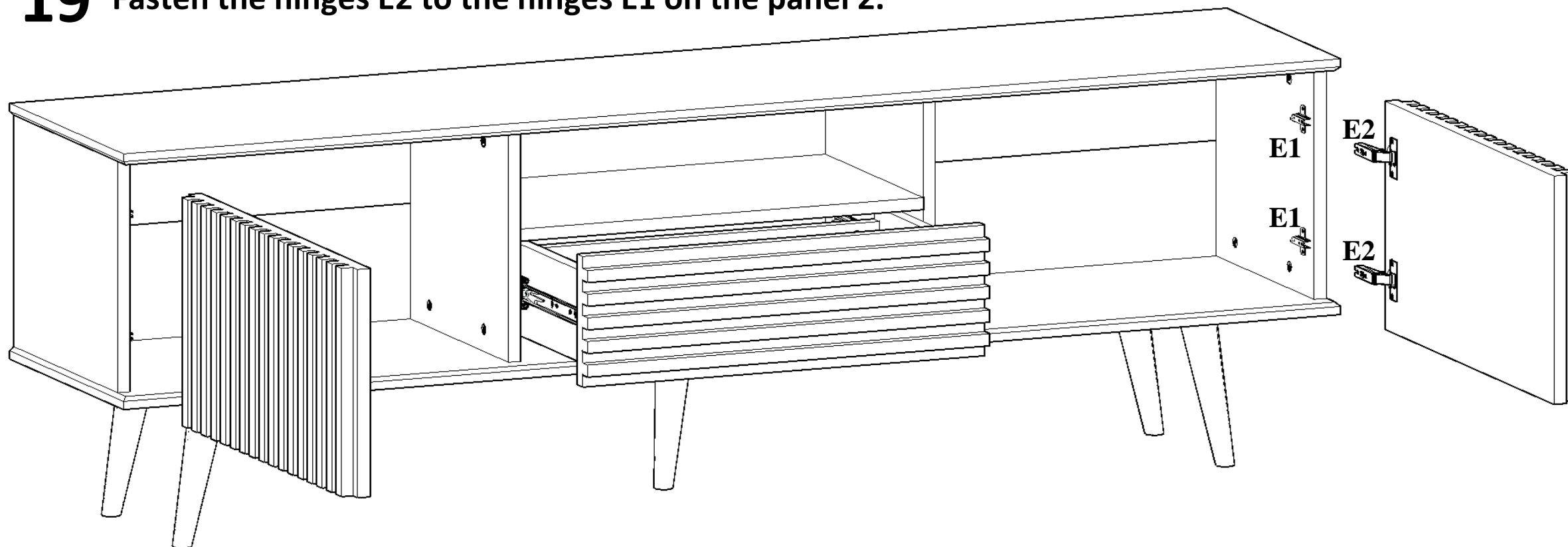
17 Fix the soles of the feet and backrest compressor.



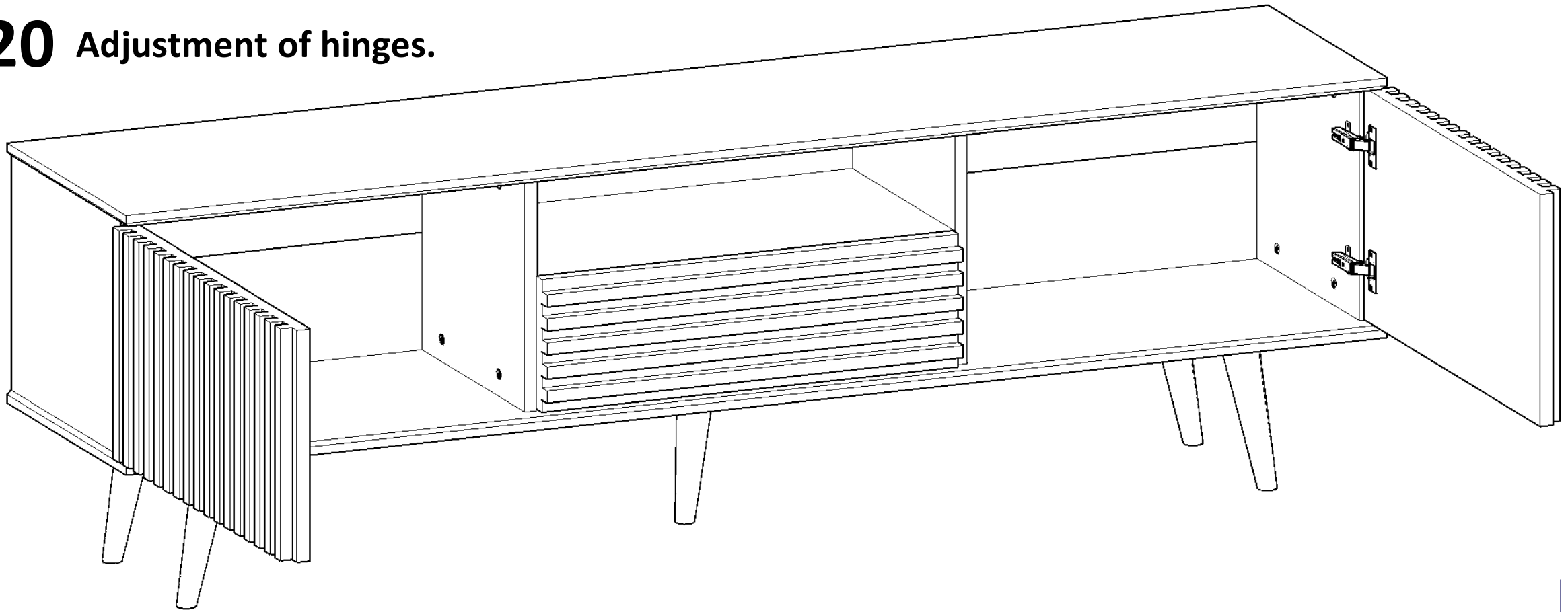
18 Attach the foot.



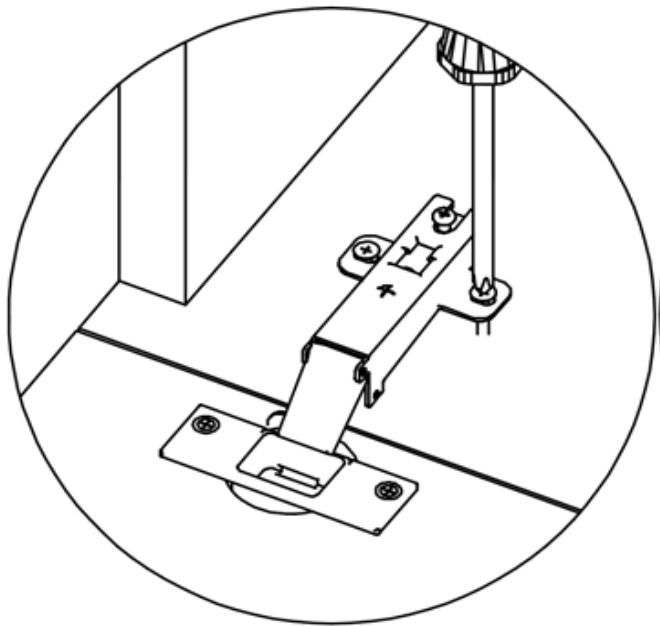
19 Fasten the hinges E2 to the hinges E1 on the panel 2.



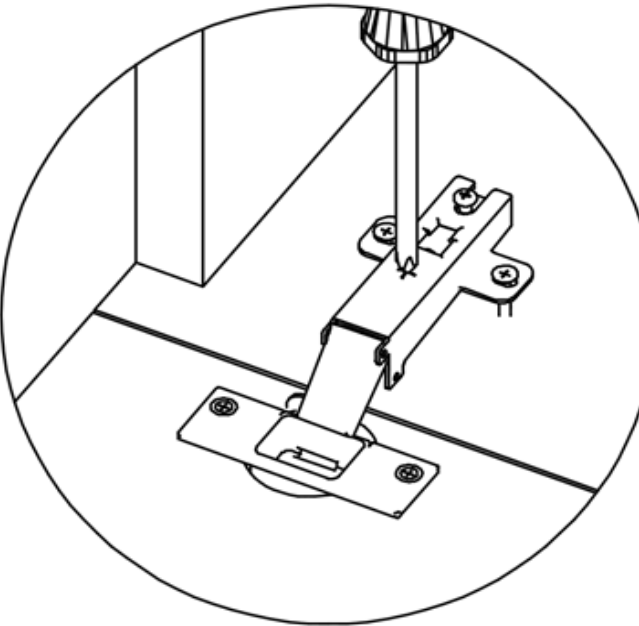
20 Adjustment of hinges.



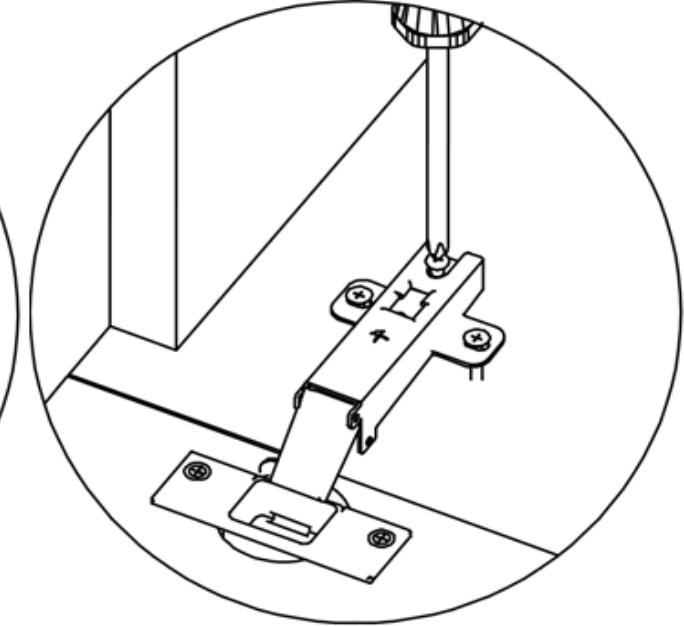
COVER ADJUSTMENTS



RIGHT - LEFT ADJUSTMENT



UP - DOWN ADJUSTMENT



FORWARD - BACK

