

Installation & Assembly

FOOTSTOOL



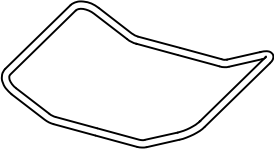
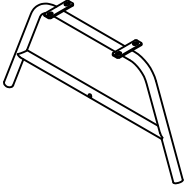
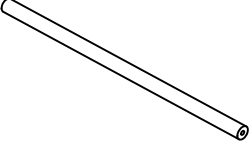
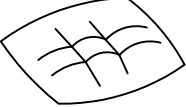
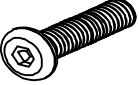



ATTENTION Section:

1. If you encounter any issues, such as missing accessories or damaged parts, please contact us immediately and include pictures.

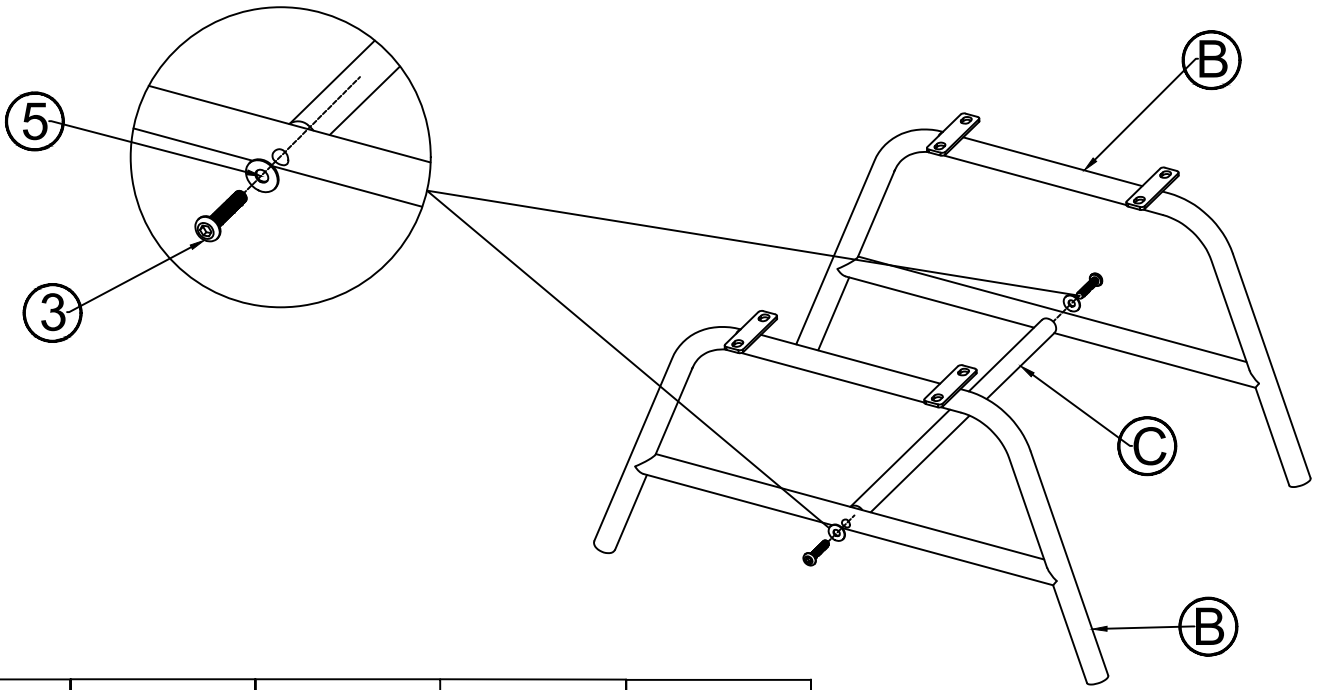
Assembly Instructions:

1. Assembly requires two people to complete.
2. For optimal assembly, we highly recommend using the provided Allen key. If using a power tool, please set it to a low speed to prevent any damage.
3. Do not fully tighten the screws until all screws are properly aligned with their holes.

PARTS LIST OF BOX A

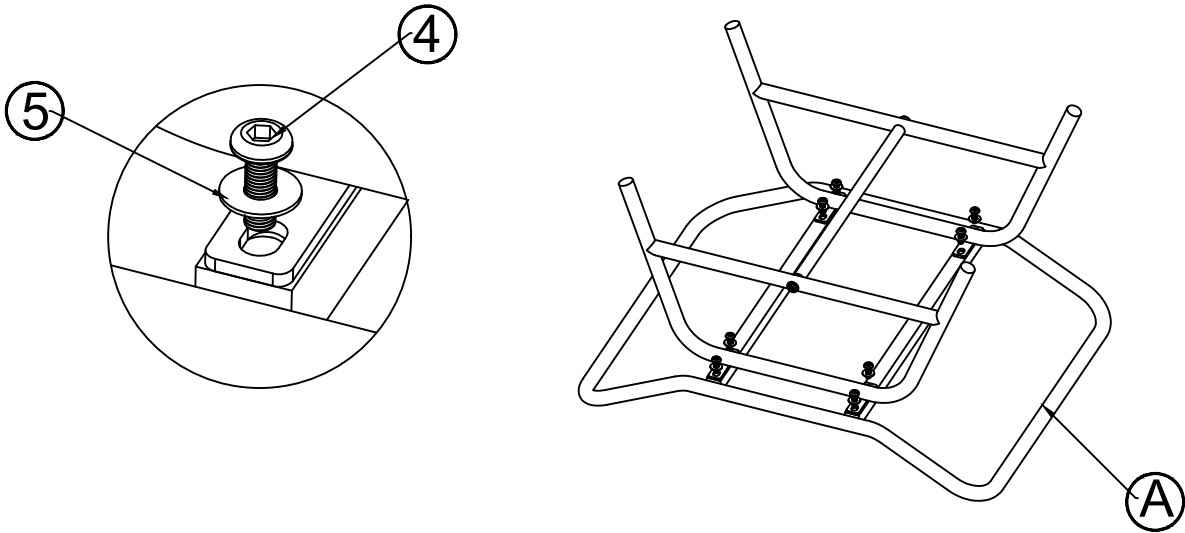
<p>A</p>  <p>PANEL OF FOOTSTOOL 1pc</p>	<p>B</p>  <p>LEGS OF FOOTSTOOL 2pcs</p>	<p>C</p>  <p>CROSSBAR 1pc</p>	<p>D</p>  <p>CUSHION OF FOOTSTOOL 1pc</p>
<p>3</p>  <p>M6*30 2pcs</p>	<p>4</p>  <p>M6*18 8pcs</p>	<p>5</p>  <p>M6 10pcs</p>	<p>7</p>  <p>M6 1pc</p>

STEP 1



B*2pcs	C*1pc	3*2pcs	5*2pcs	7*1pc
		M6*30	M6	ALLEN KEY M6

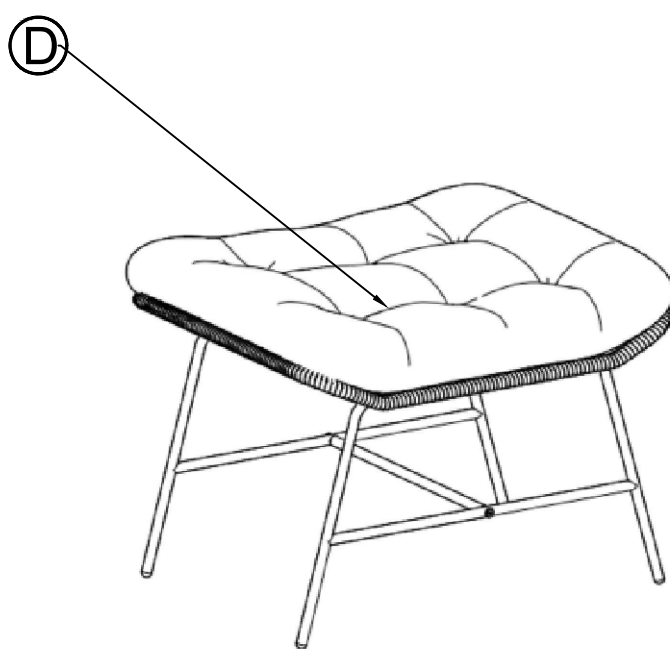
STEP 2



A*1pc	4*8pcs	5*8pcs	7*1pc
	M6*18	M6	ALLEN KEY M6

Do not fully tighten all screws until assembly is completed.

STEP 3



D*1pc



Do not fully tighten all screws until assembly is completed.