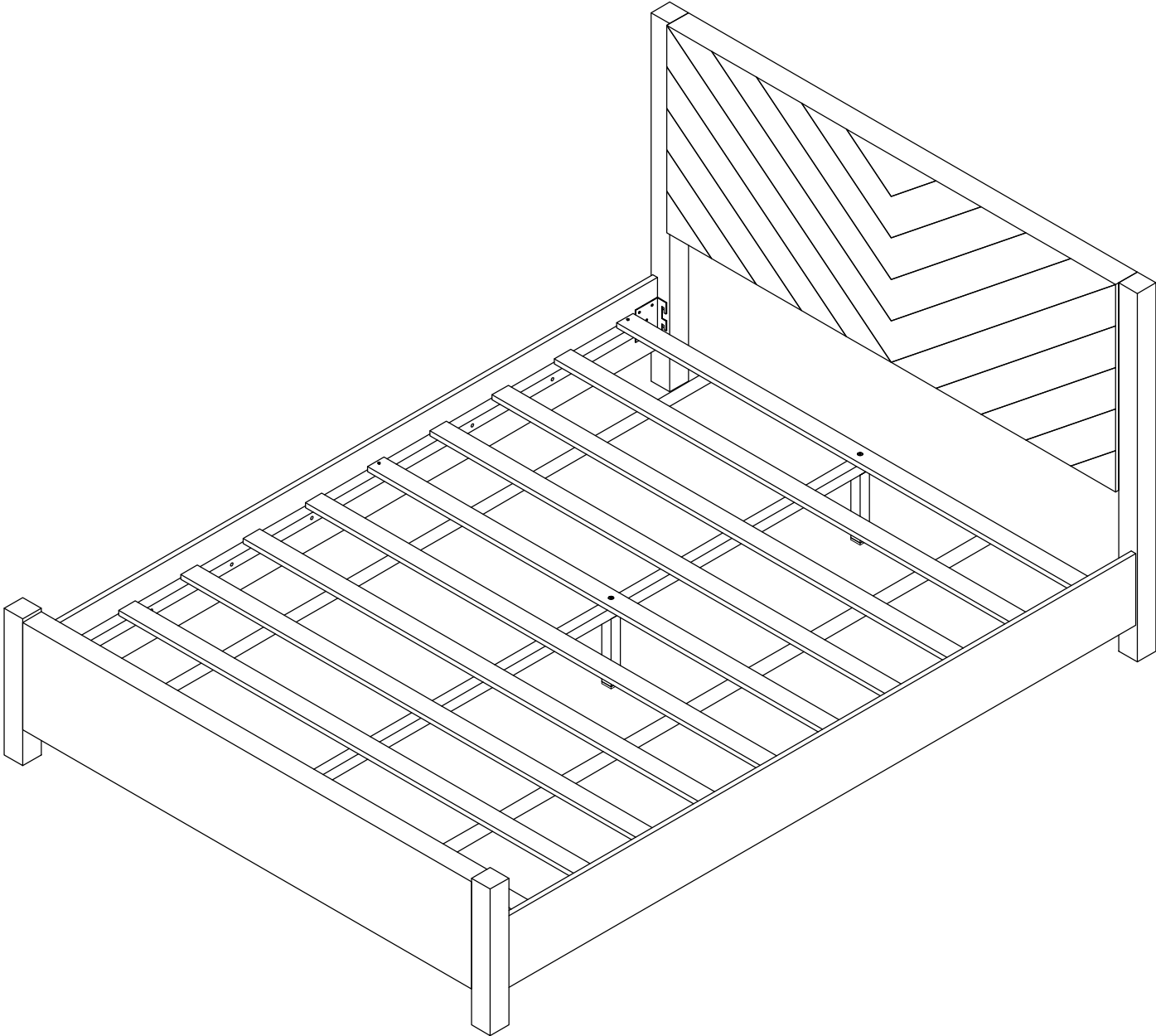
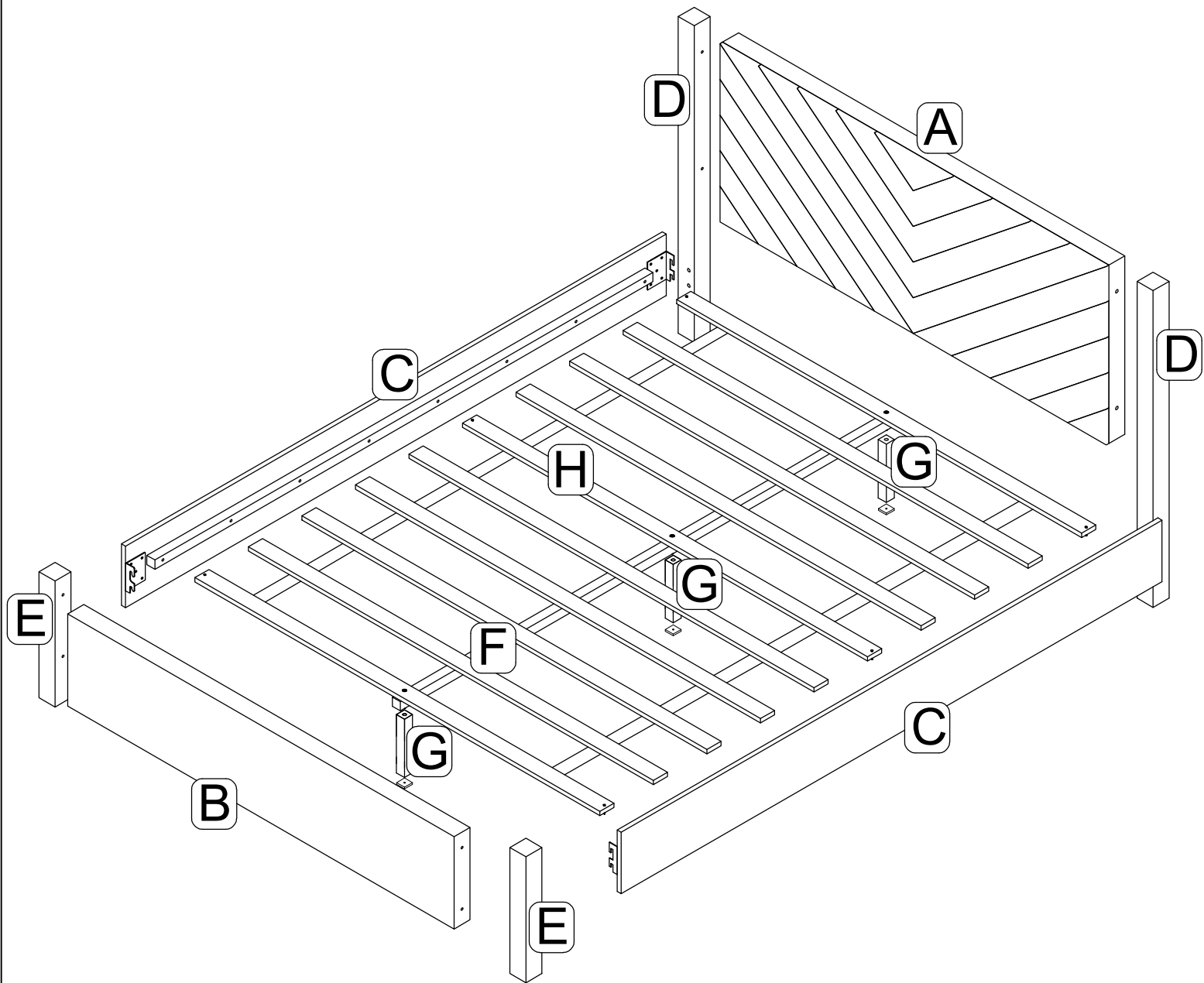


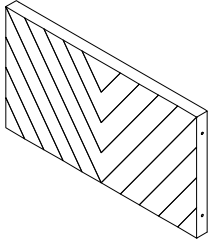
# ASSEMBLY INSTRUCTION





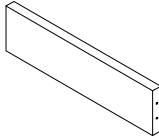
# Part List

**A**



HEADBOARD - 1pc

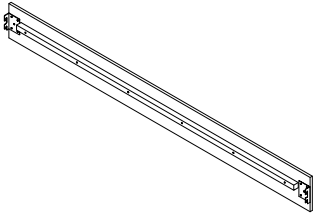
**B**



FOOTBOARD - 1pc

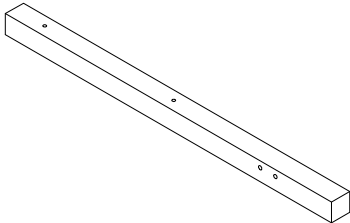
# Part List

**C**



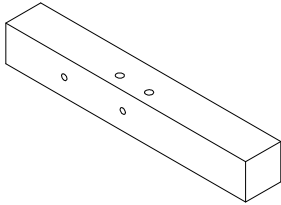
SIDE PANEL - 2pcs

**D**



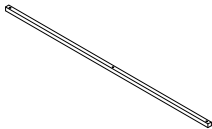
HEADBOARD LEG - 2pcs

**E**



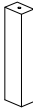
FOOTBOARD LEG - 2pcs

**F**



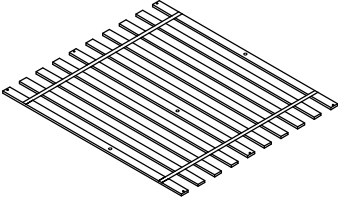
CENTER WOOD BASE - 1pc

**G**



WOODEN LEG - 3pcs

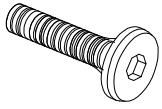
**H**



SLAT - 1set / 10pcs

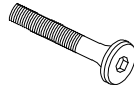
# Hardware List

1



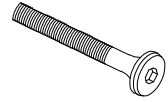
JBOW M8 x 16mm (8 pcs)

2



JBOW M6 x 35mm (11 pcs)

3



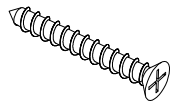
JBOW M6 x 60mm (3 pcs)

4



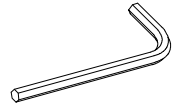
M6 Flat Washer (8 pcs)

5



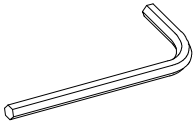
CSK SCREW M4 x 30mm (6 pcs)

6



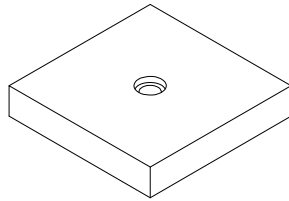
Allen Key M4 (1pc)

7



Allen Key M5 (1pc)

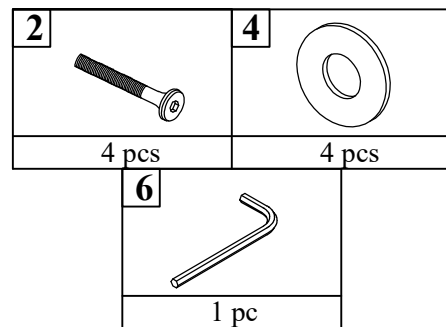
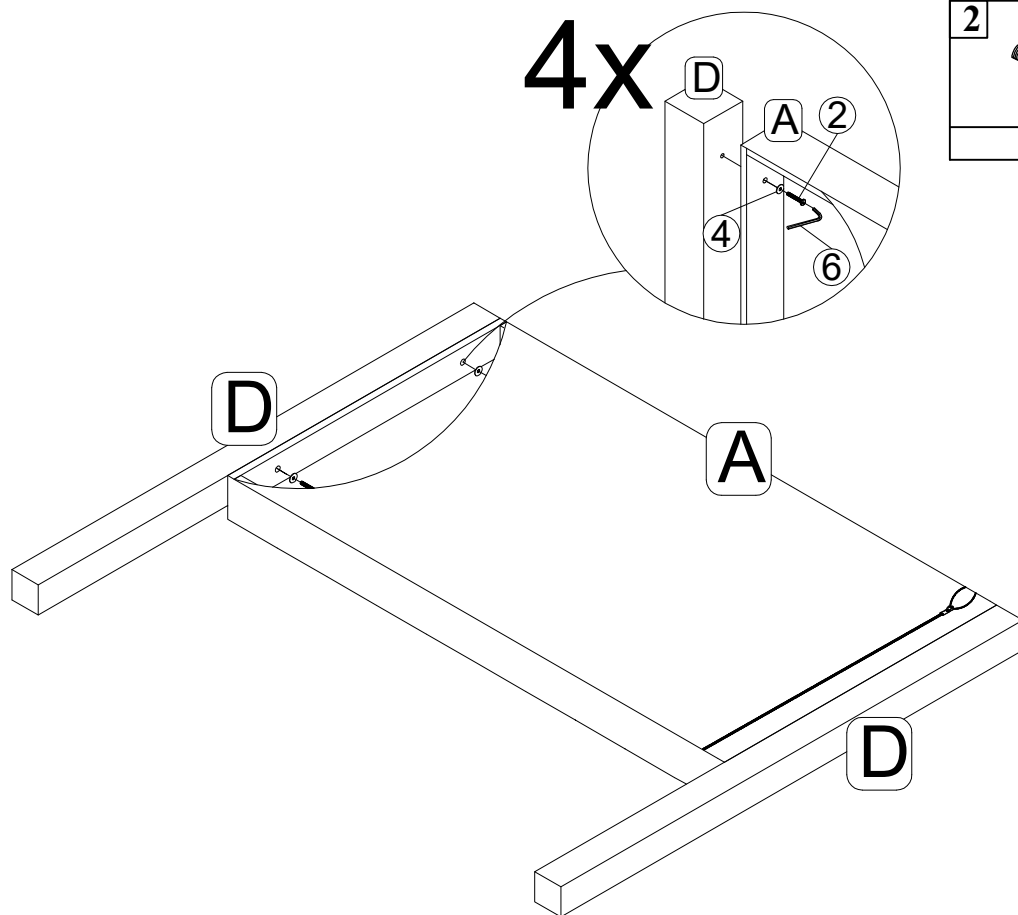
8



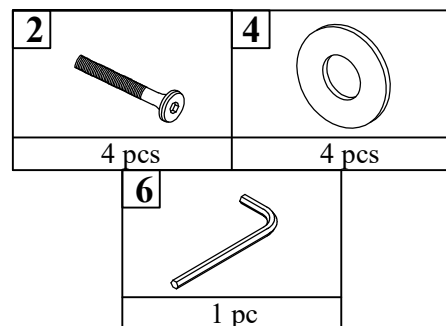
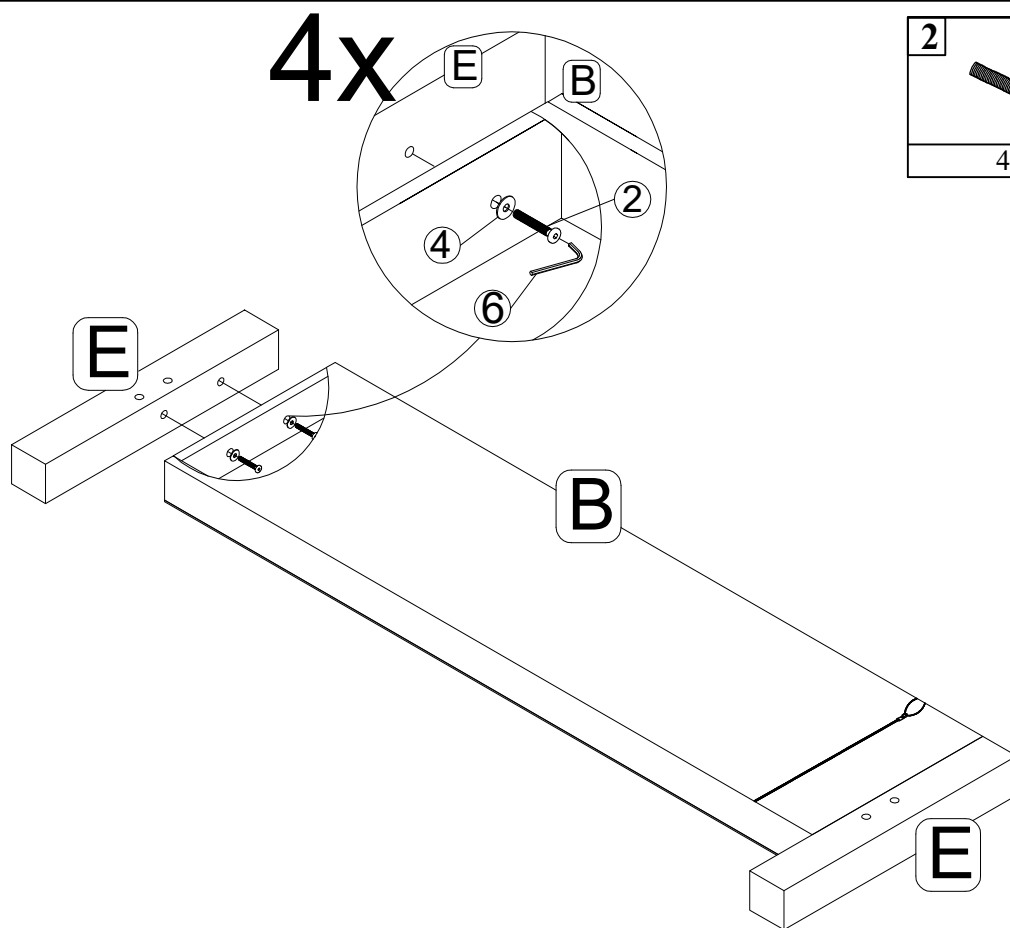
BASE SUPPORT (3pcs)

# Assembly Step

1

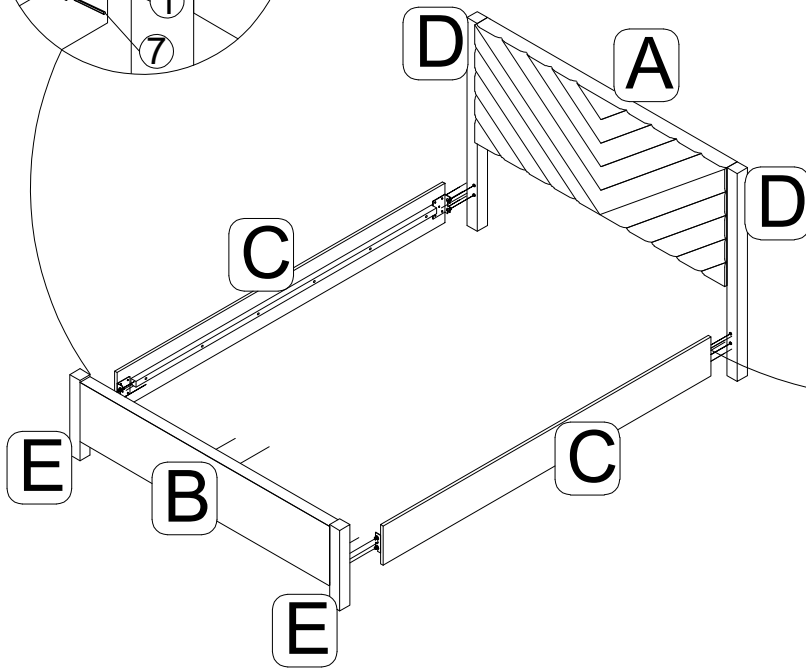
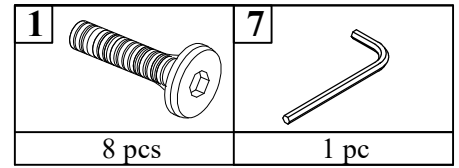
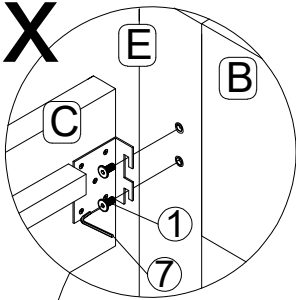


2

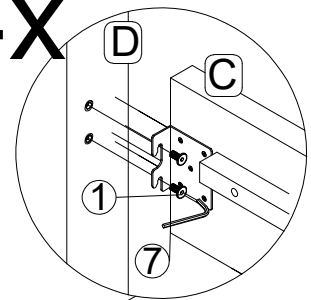


# Assembly Step

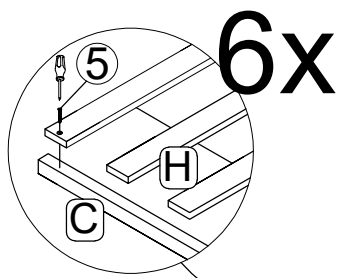
3  
4x



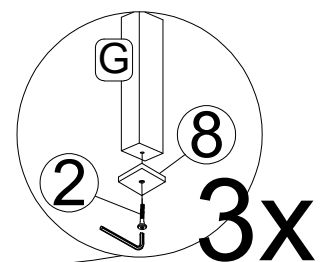
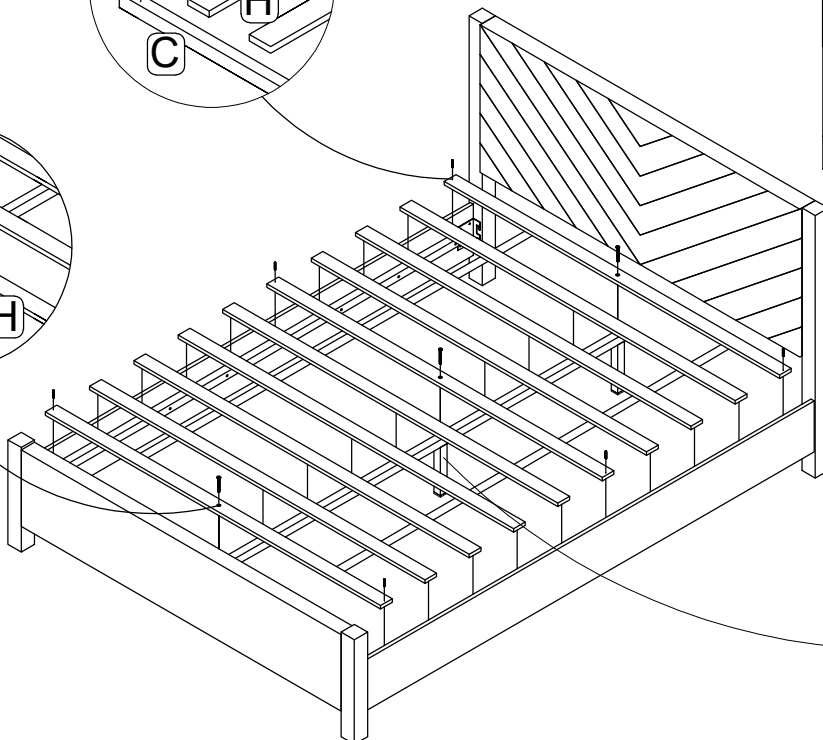
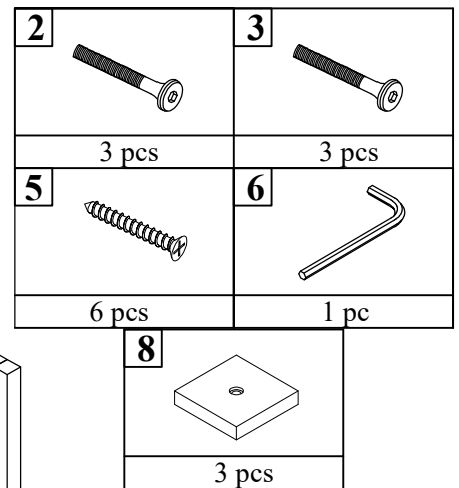
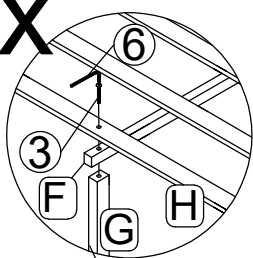
4x



4



3x



# FULLY COMPLETED ASSEMBLY

