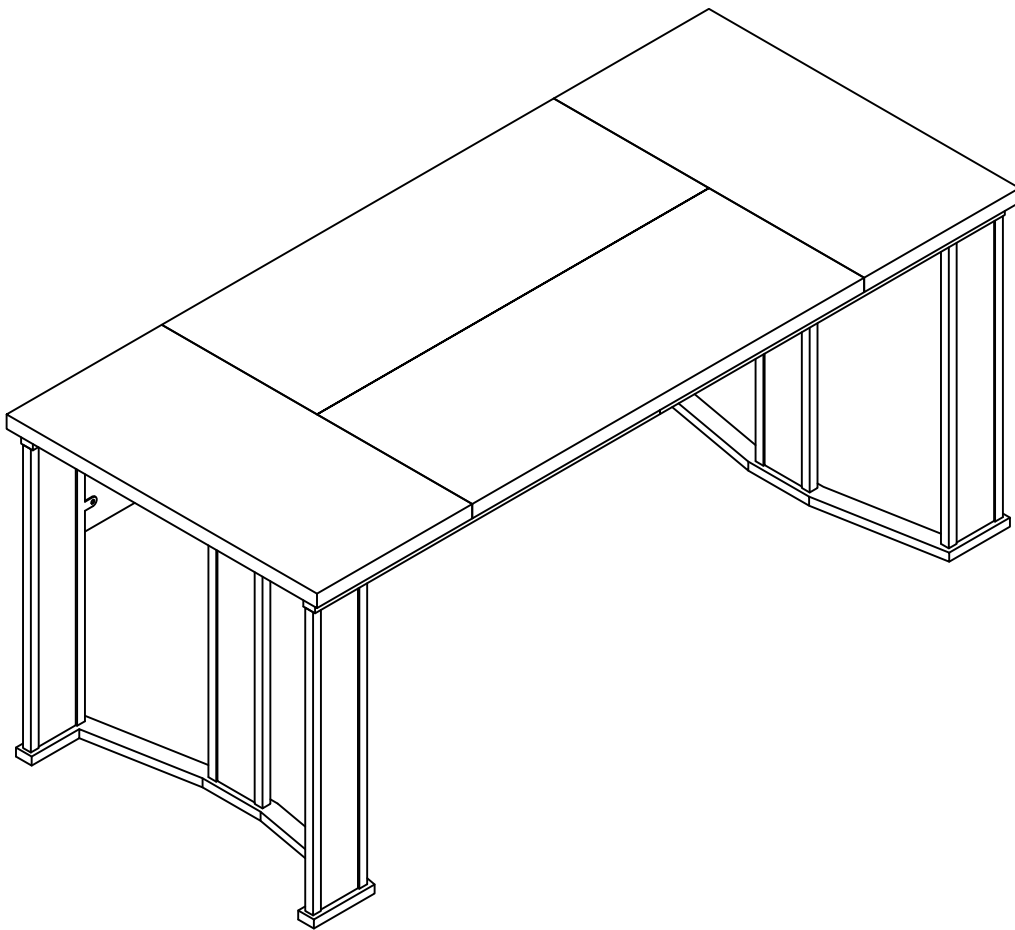


Tribesigns

Assembly Instructions



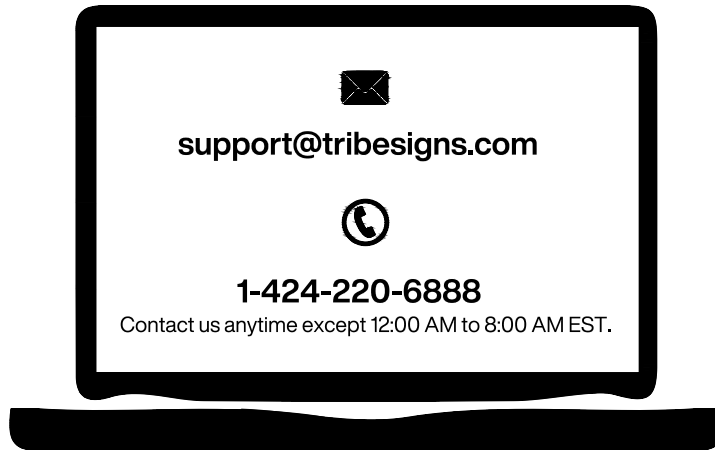
Boss Table

Model No.
HOGA-JW0900-A

www.tribesigns.com

Contact Us

We're here to help you.




Your satisfaction is our top priority. If you encounter any issues with this product, such as missing or damaged parts, we're here to help. Please retain the original packaging and take photos of the packaging and the product, then contact us as soon as possible.

Warm Tips

1. Carefully read these instructions and keep them for future reference.
2. Check the parts list and confirm everything's there before starting assembly.
3. When assembling, put all parts on a soft, smooth surface like a carpet to avoid scratches.
4. Don't fully tighten screws until all parts are confirmed in place to avoid misalignment.


How to Get the Assembly Video

Step 1 Scan the QR code.



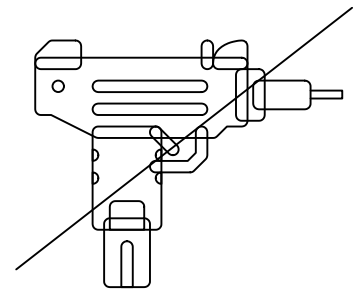
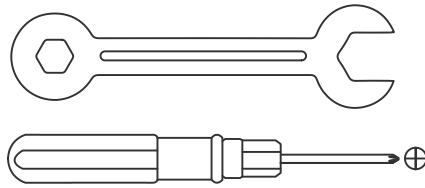
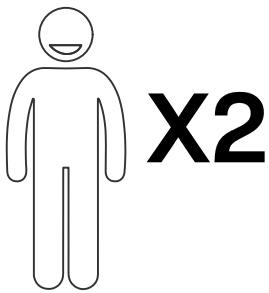
Installation Video

Step 2 Search with the Model No.
(on the bottom left corner of the title page)



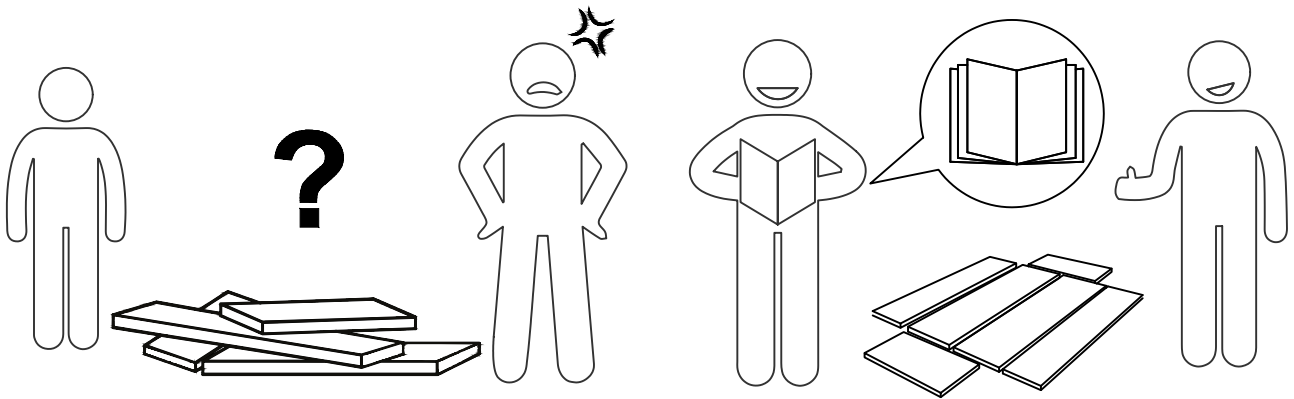
HOGA-JW0900-A

Note: If you can't find the assembly video, please contact us.



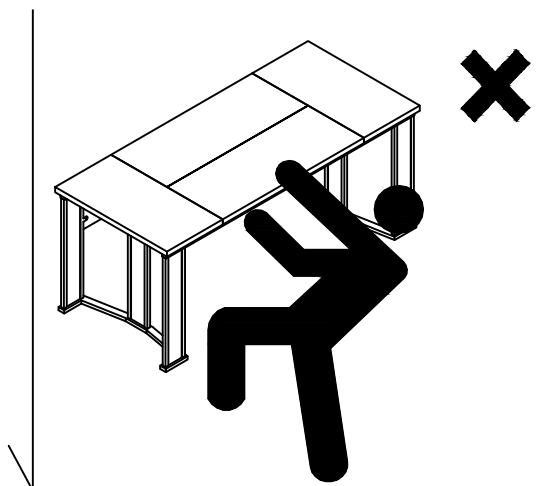
We recommend using hand tools for assembly.

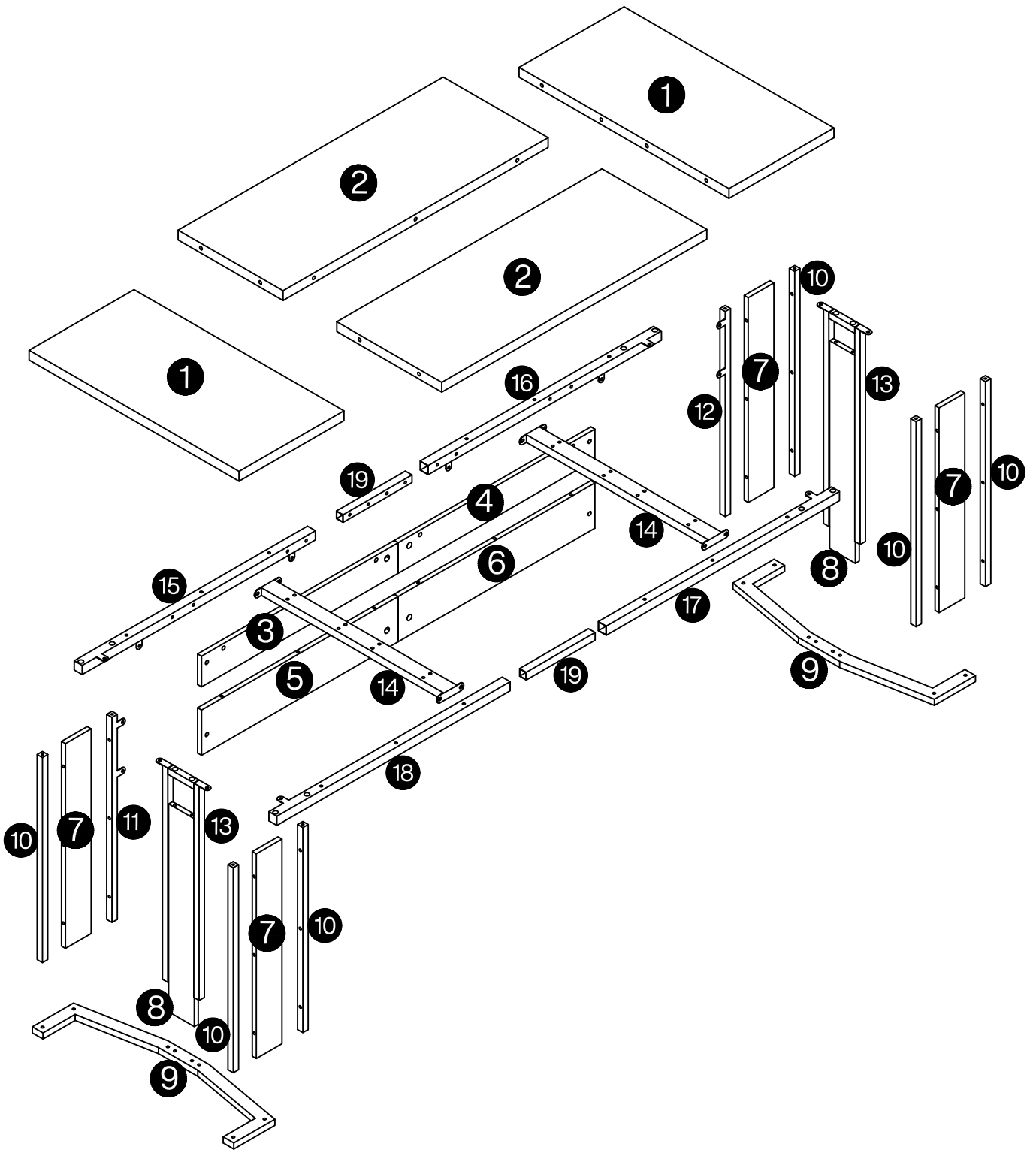
If an electric screwdriver is used, reduce power and torque to avoid damage to the product.



Install the Anti-Tip Straps

Using the anti-tip straps can reduce the risk of tipping over, but can not eliminate it.

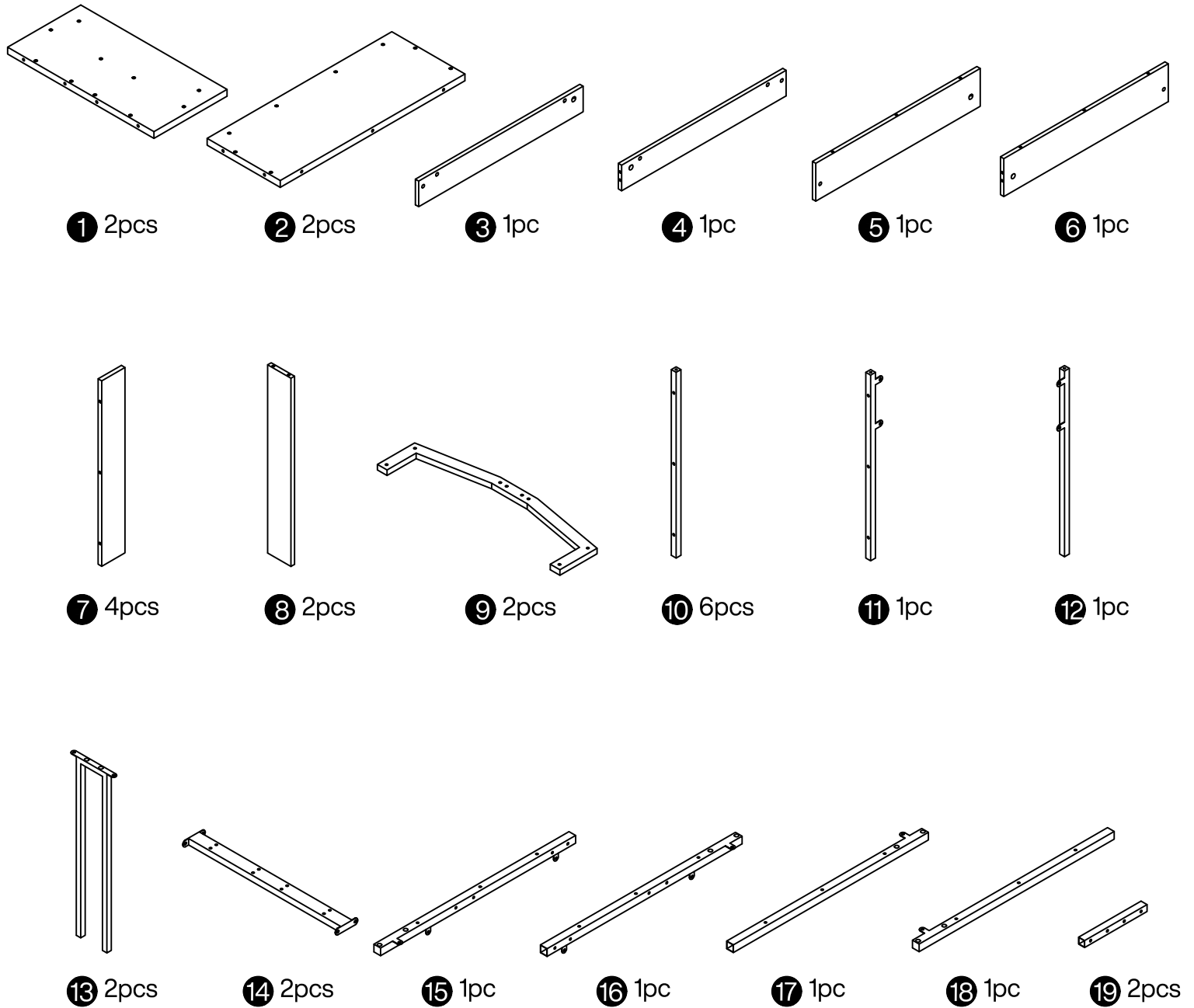




⚠ Caution

Make sure all parts are included. Most board parts are labeled or stamped on the raw edge. Contact us for a free replacement if you encounter any damaged or missing parts.

Parts List

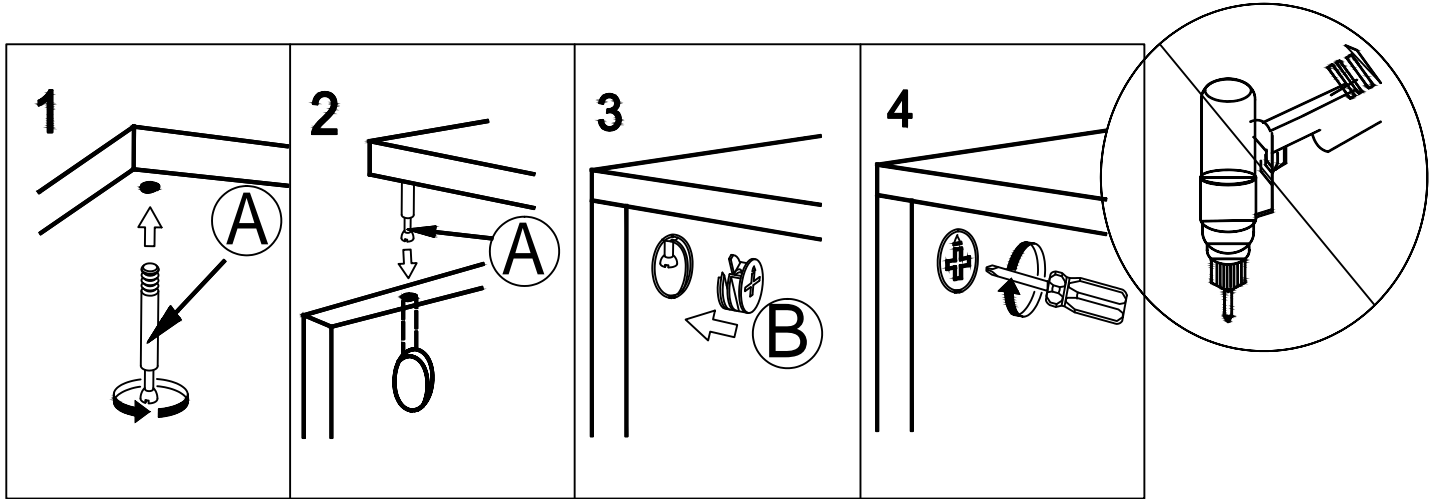


Hardware List

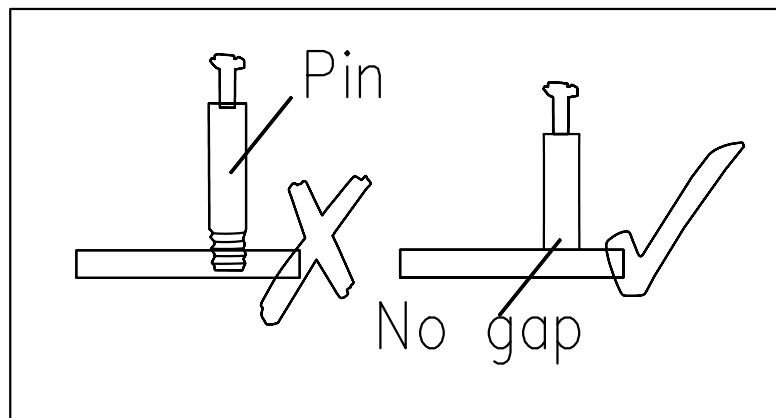
A	x2	B	x4+1	C	x32+1	D	x11+1	E	x28+1	F	x16+1
φ6x68		φ15x12		φ7.8x30		φ10x40		M6*12		M6*20	
G	x12+1	H	x28+1	I	x8+1	J	x6	K	x1		
M6x35		M6*45		φ7x38		M6*15		M4*65*30			

Installation of Cams and Pins

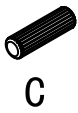
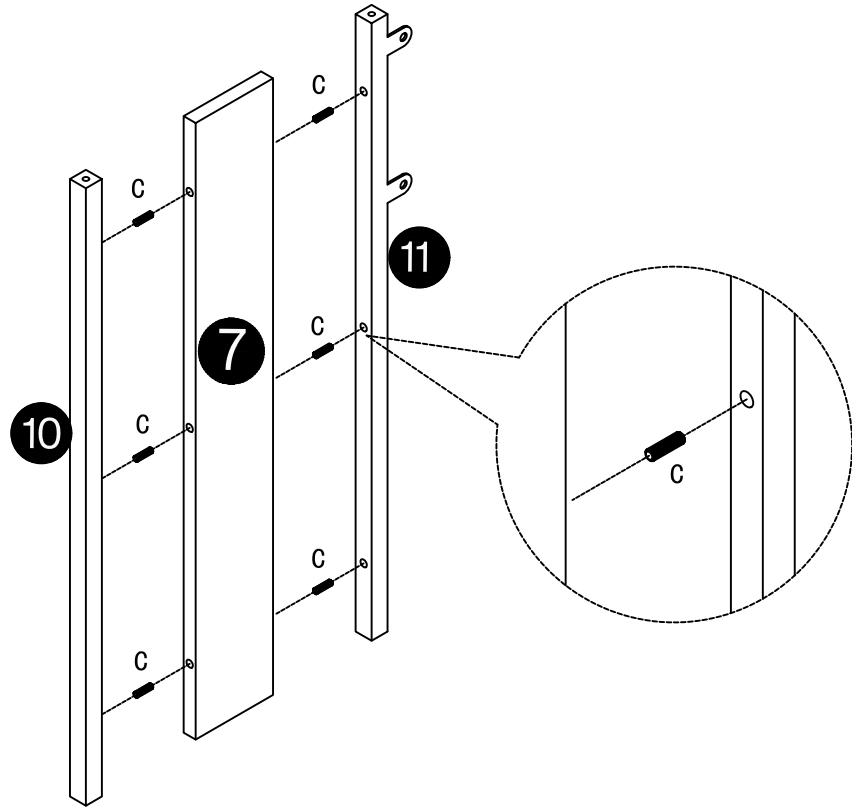
Screw the pin into the hole. To set the cams correctly, ensure that the arrow on the cam is opening to the hole of the pin it is locking. Lock the cam by turning the cam head with a screwdriver until it is tightened. Please do not use an electric screwdriver to assemble the unit.



Read each step carefully before starting. It is very important that each step of instruction is performed in the correct order. If these steps are not followed in sequence, assembly difficulties will occur.

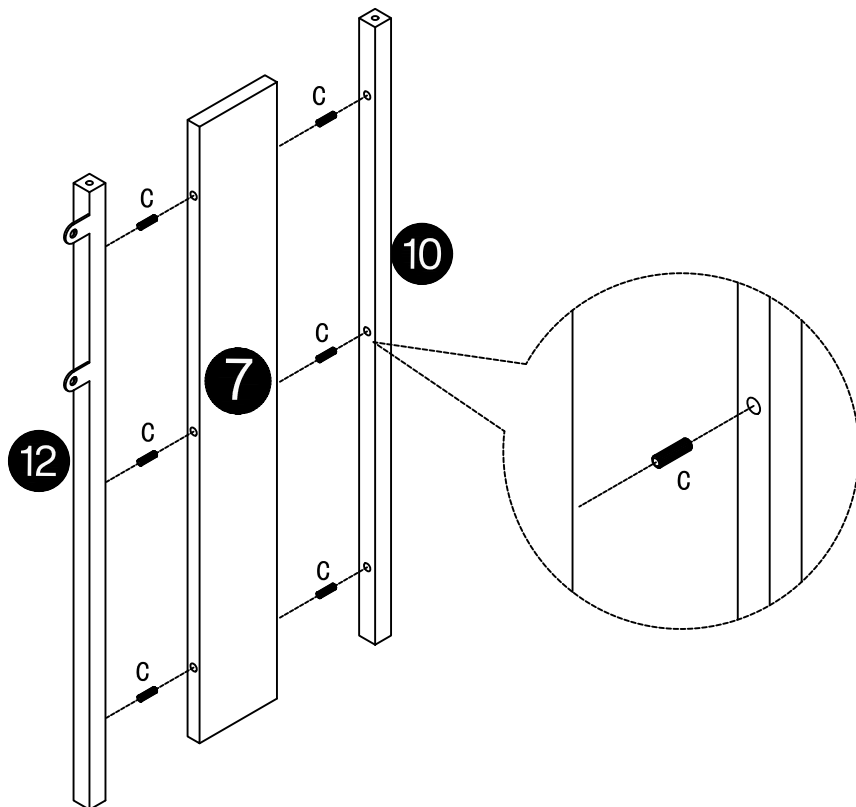


1



6pcs

2



6pcs

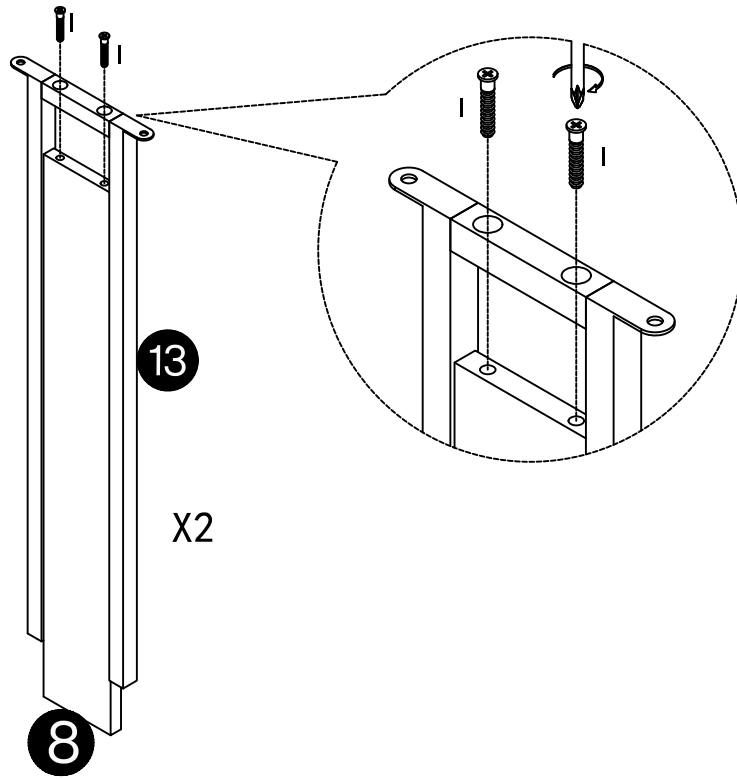
3

screw down  

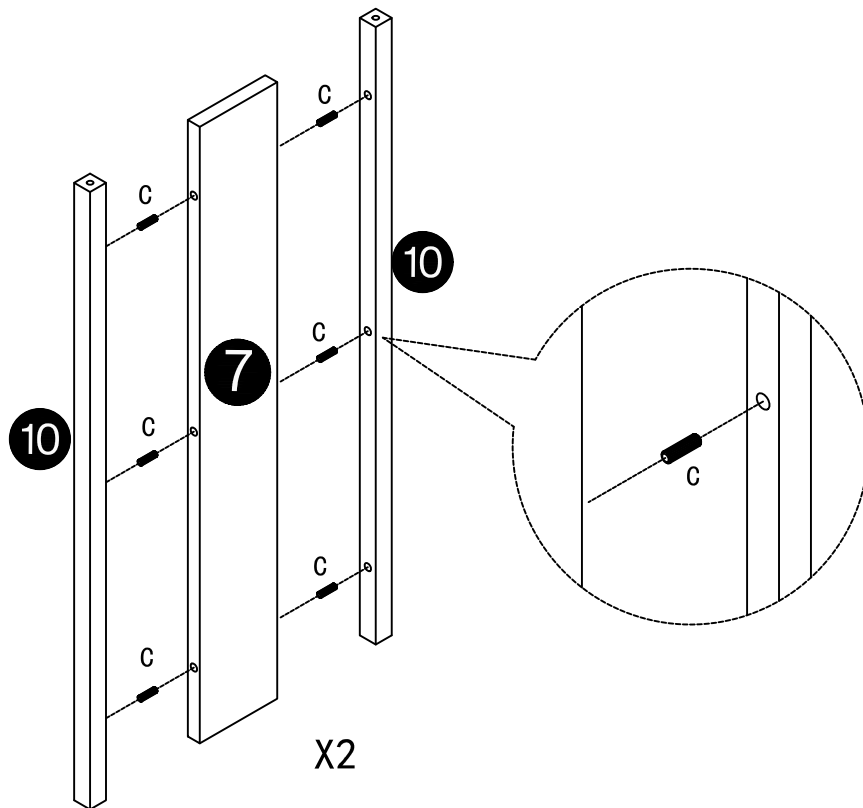


I

4pcs



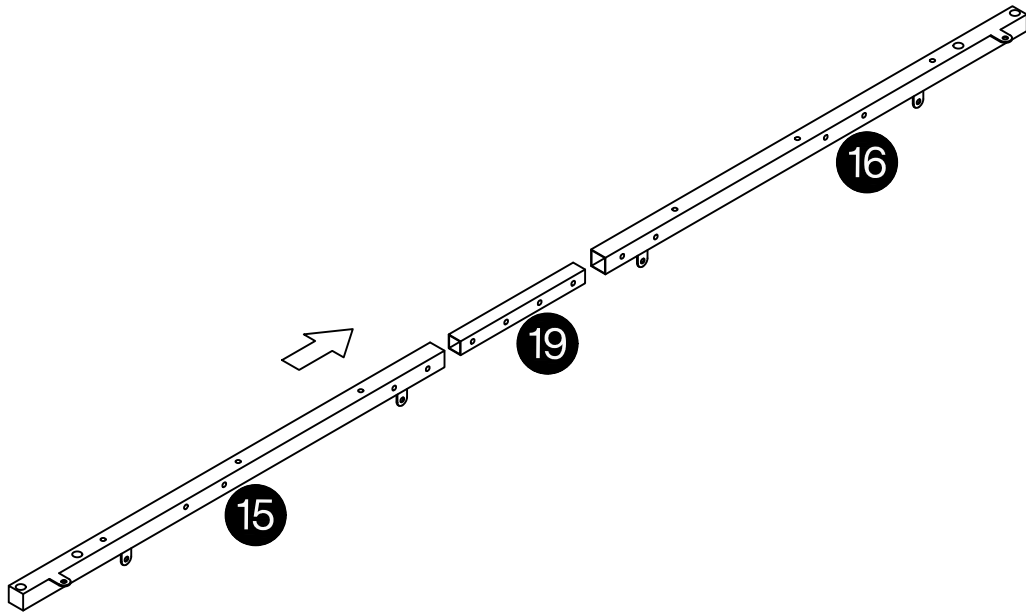
4



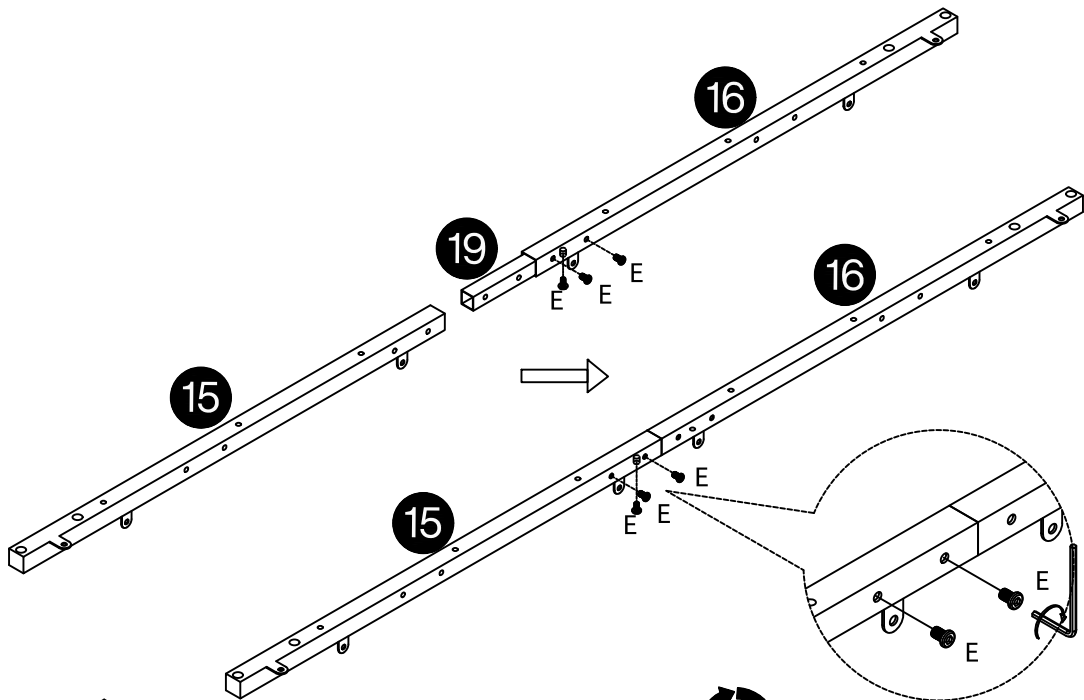
C

12pcs

7



8



E

D

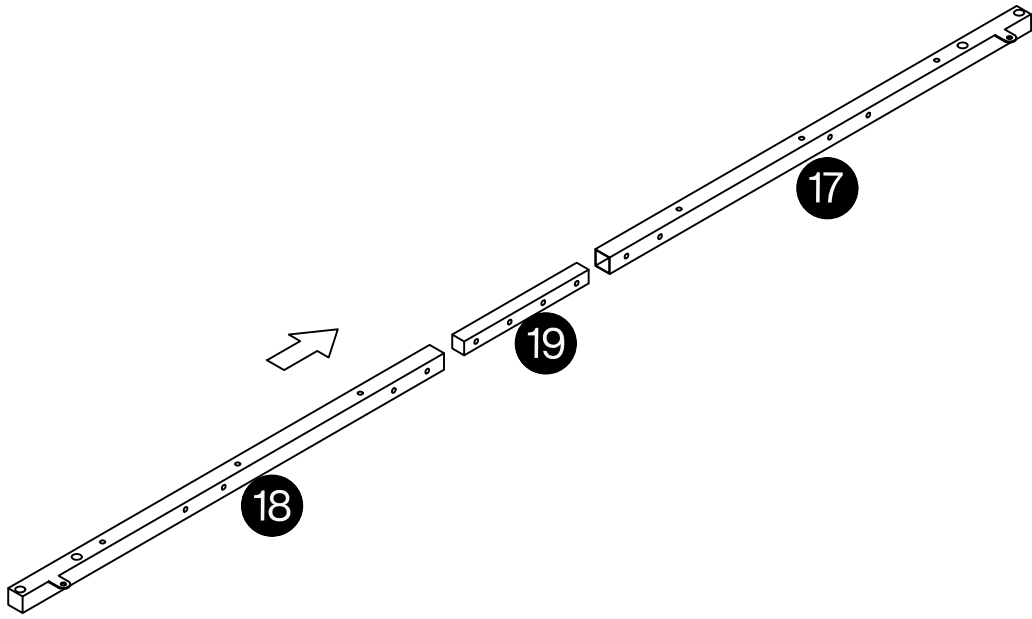
screw down



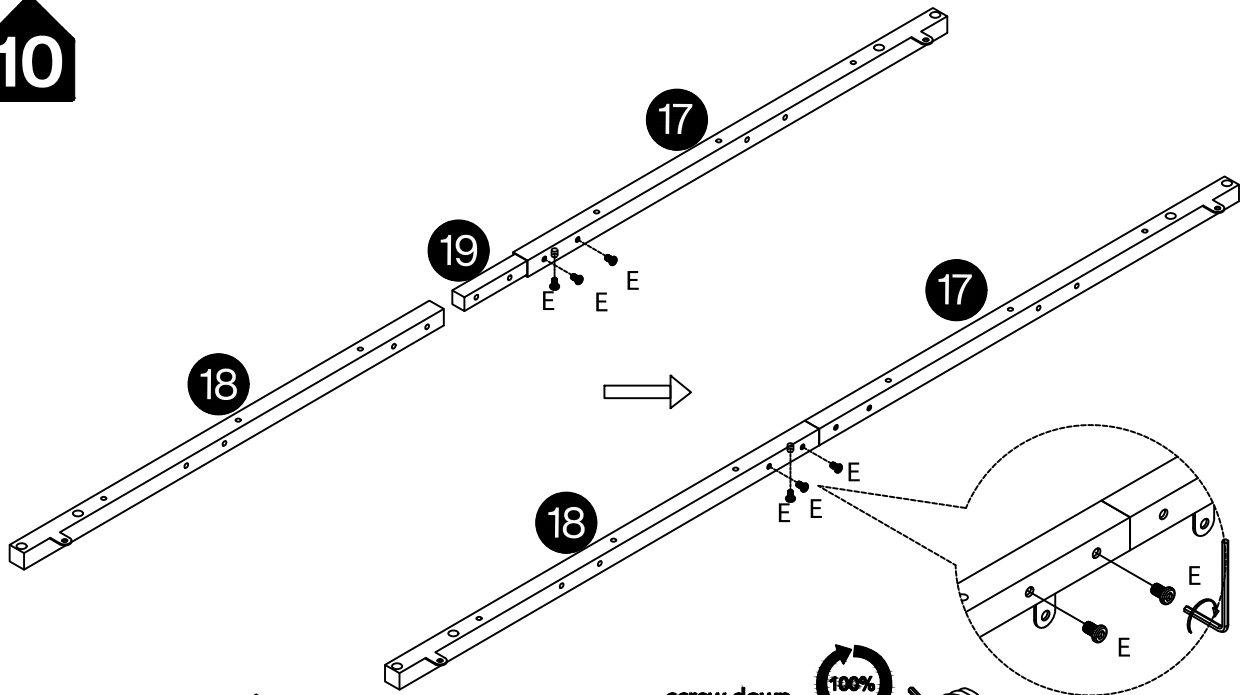
6pcs

1pc

9



10



E

D

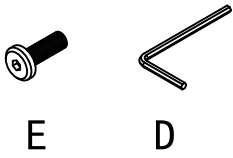
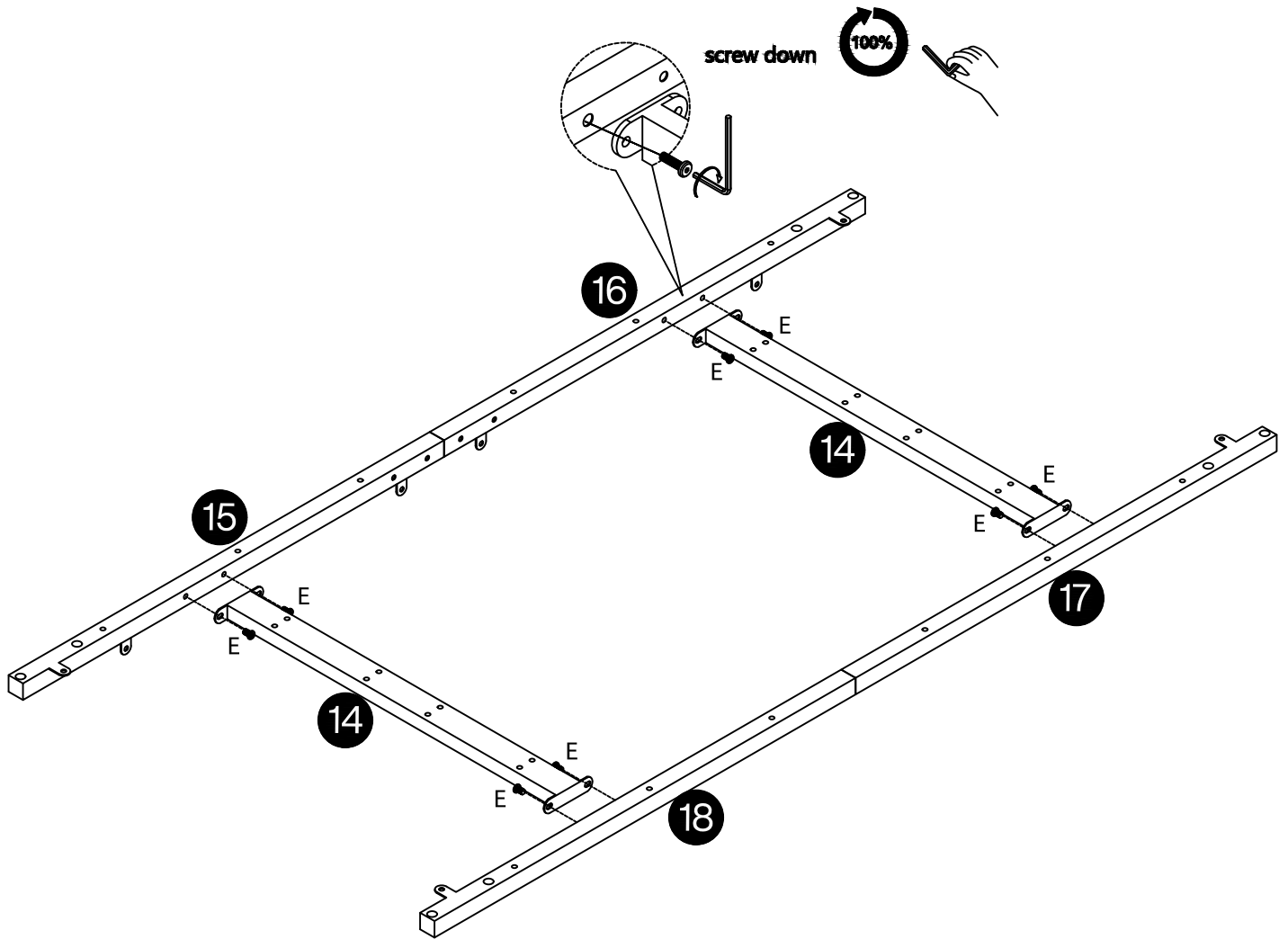
6pcs

1pc

screw down

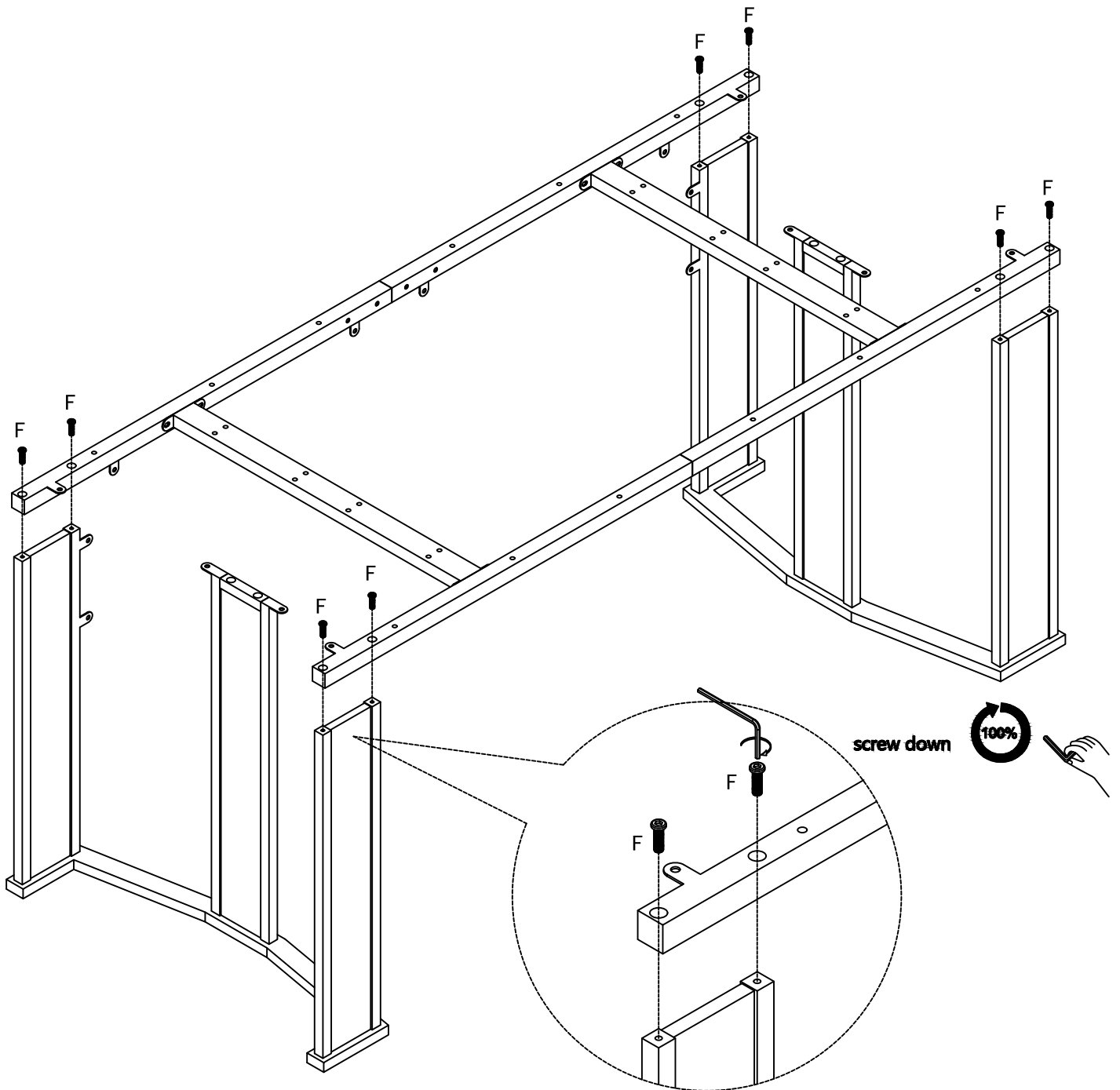


11



8pcs 1pc

12



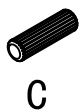
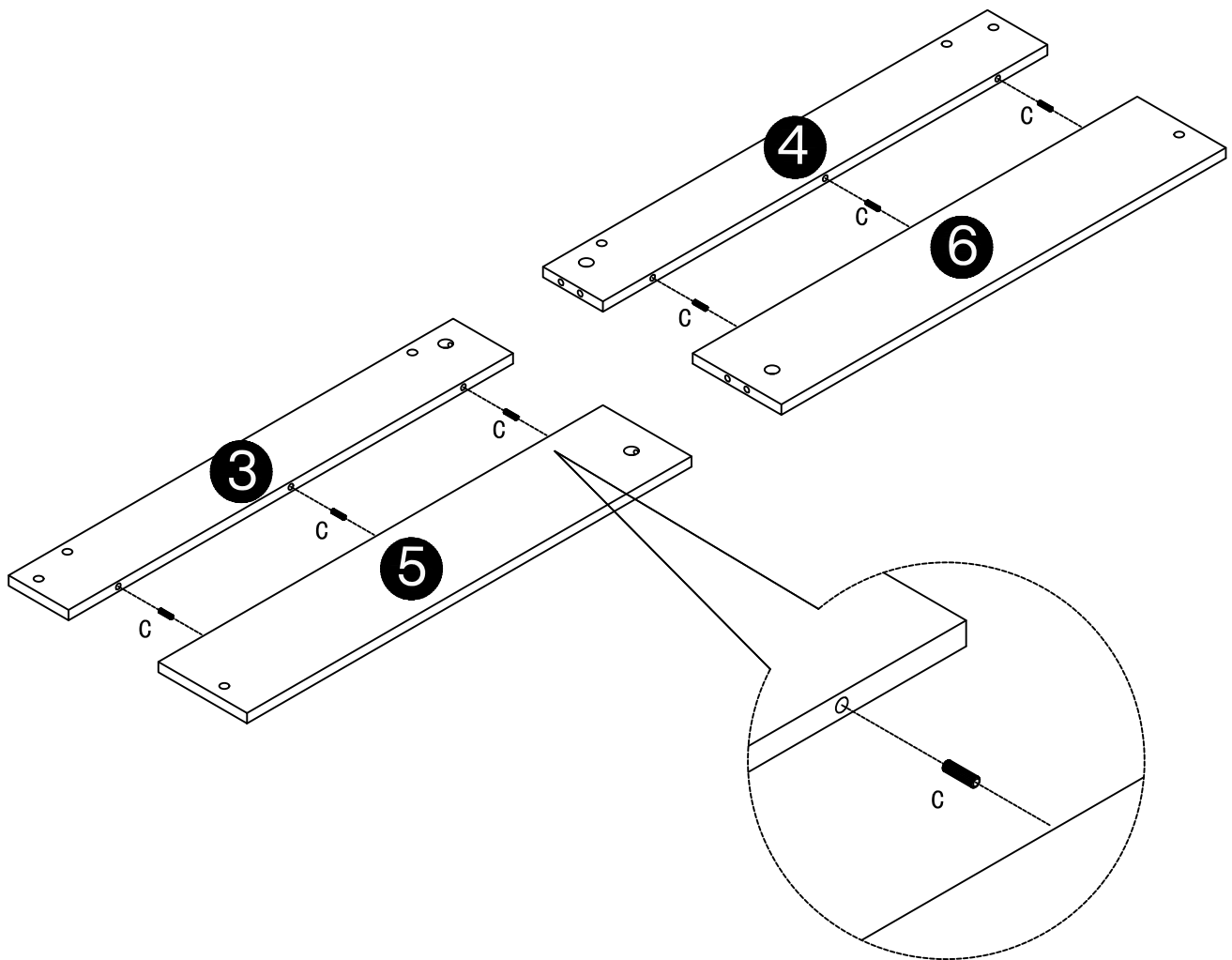
F

D

8pcs

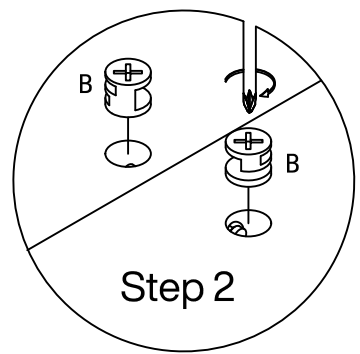
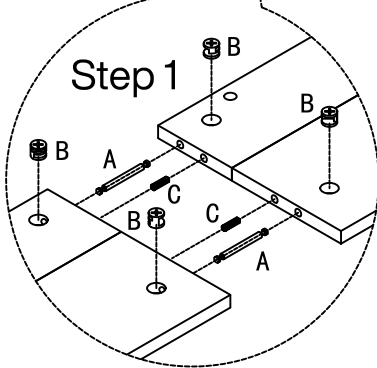
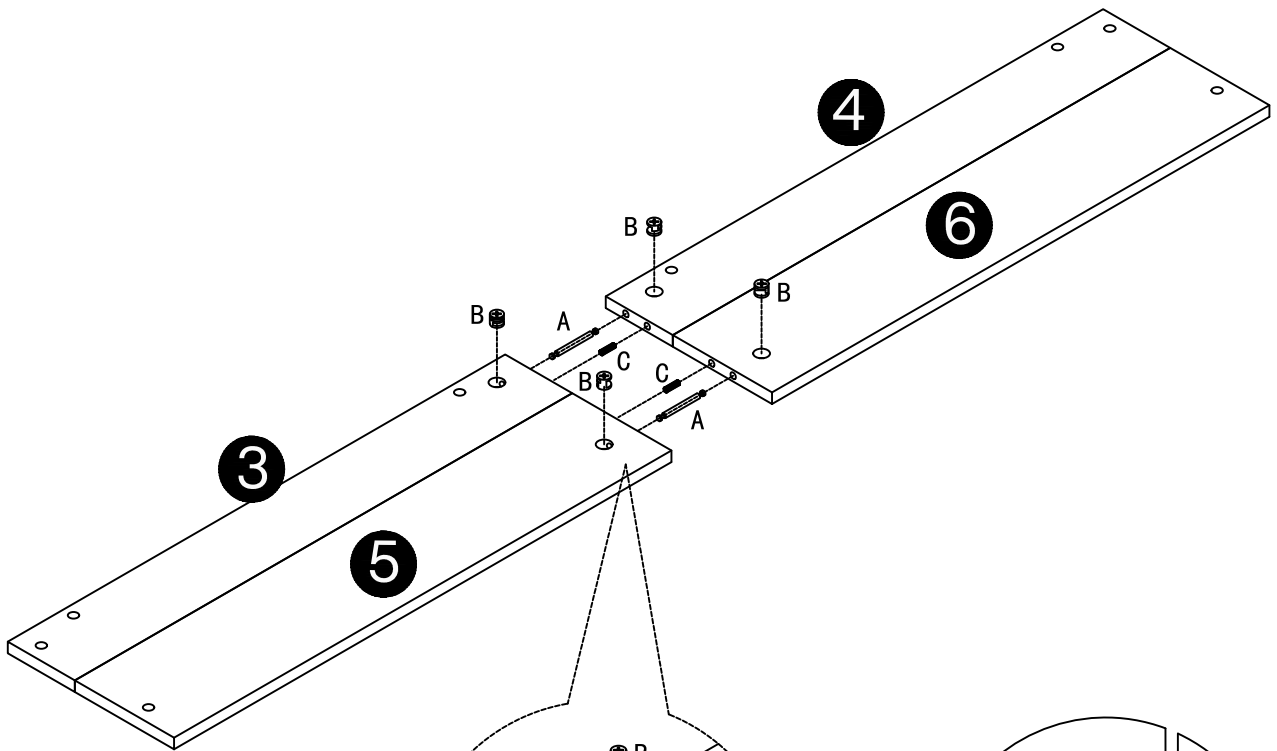
1pc

13



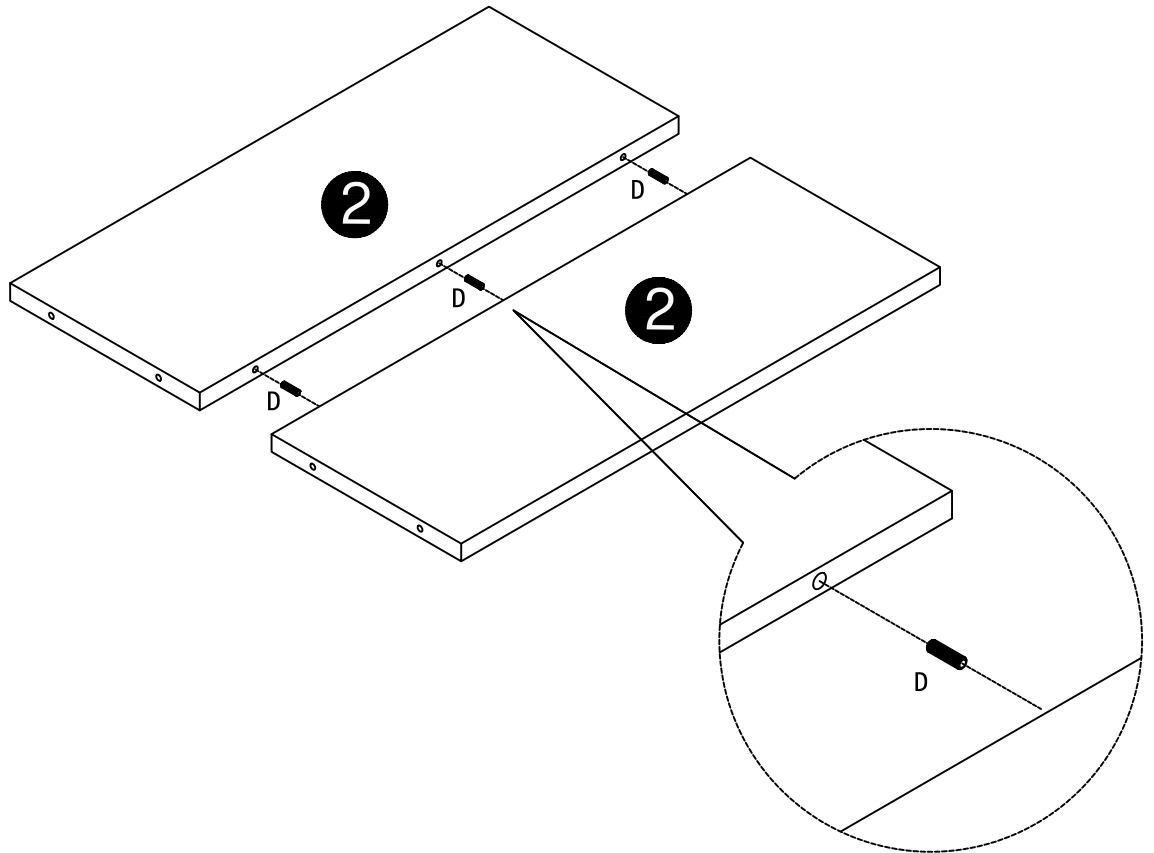
6pcs

14



- A 2pcs
- B 4pc
- C 2pc

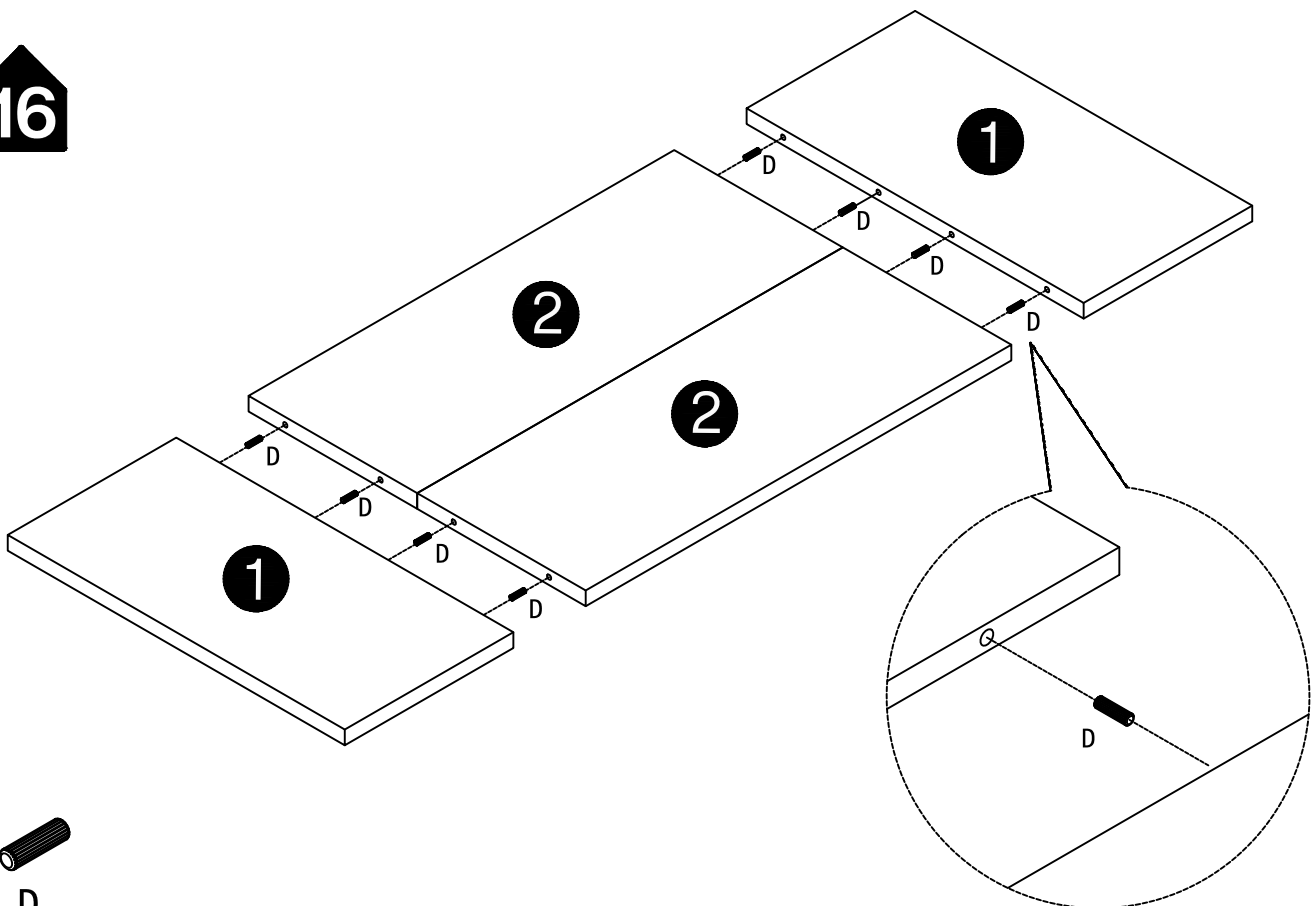
15



D

3pcs

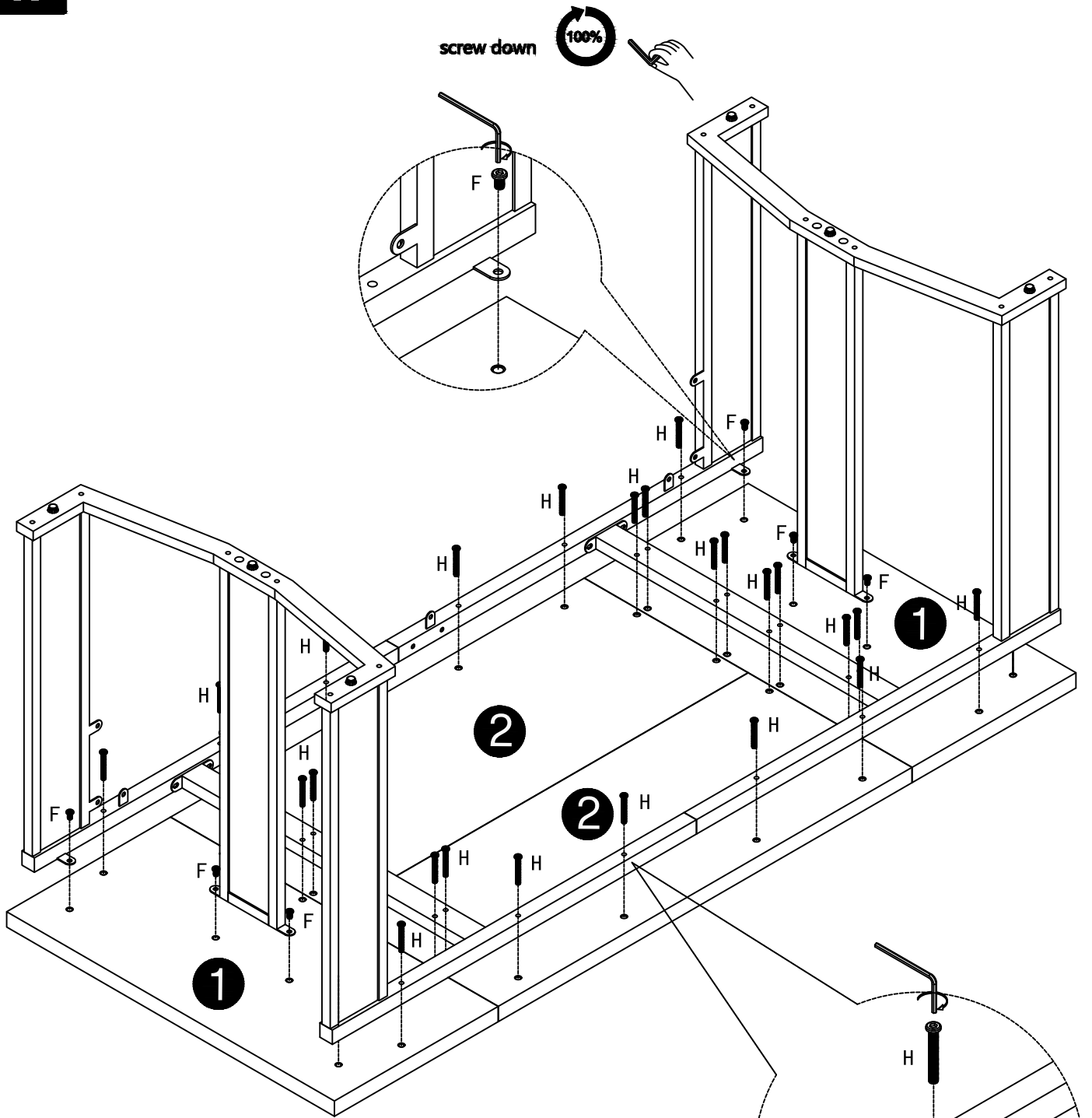
16



D

8pcs

17



screw down

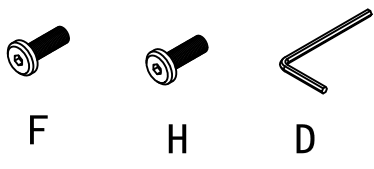


2

2

1

1



8pcs 28pcs 1pc

18



E

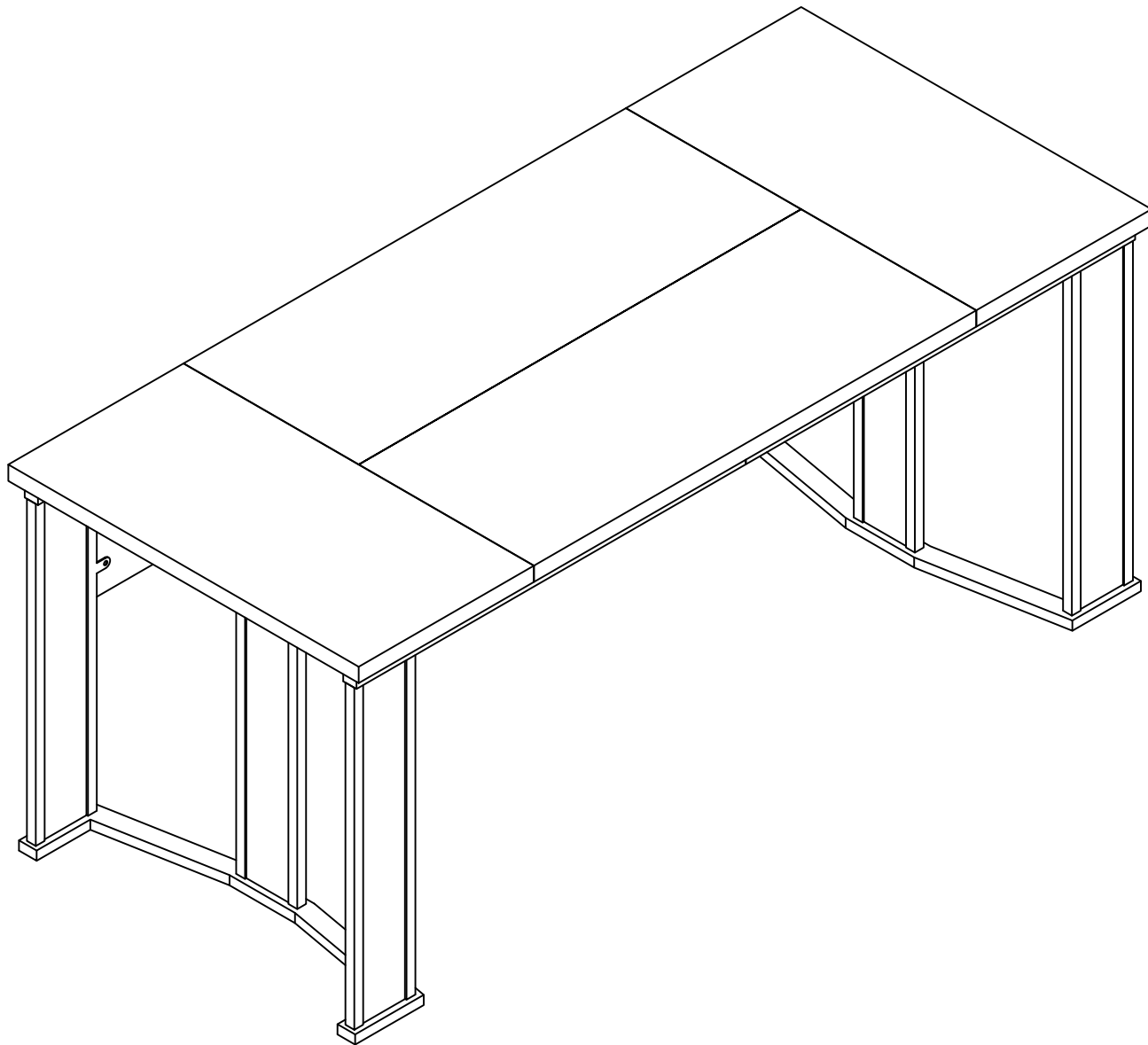
D

8pcs

1pc



Assembly Instructions



Contact our customer service team



support@tribesigns.com
www.tribesigns.com



1-424-220-6888
Contact us anytime except
12:00 AM to 8:00 AM EST.

Follow Tribesigns



Facebook



Instagram



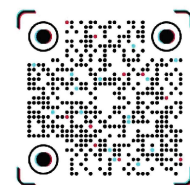
Pinterest



Twitter



YouTube



TikTok



WhatsApp