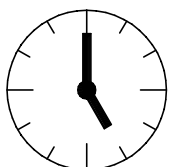
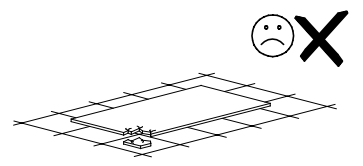
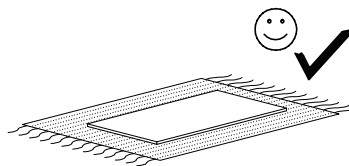
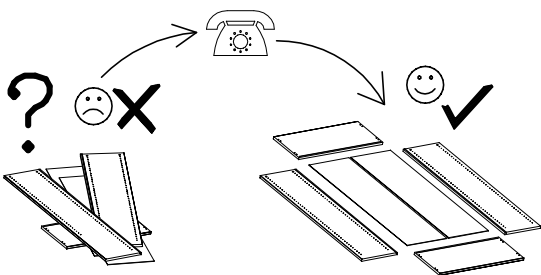
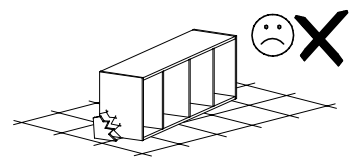
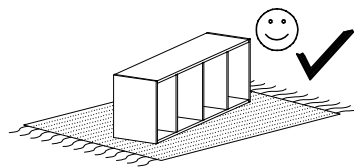
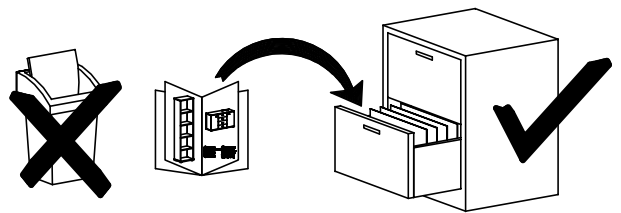
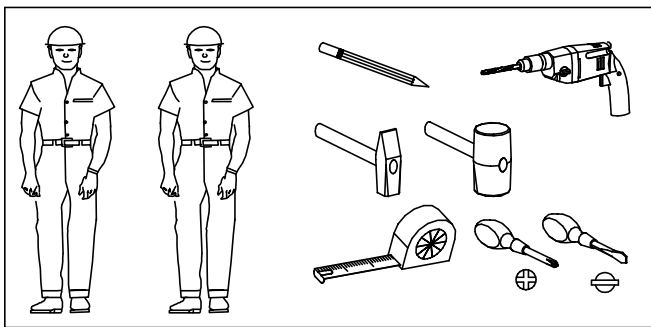
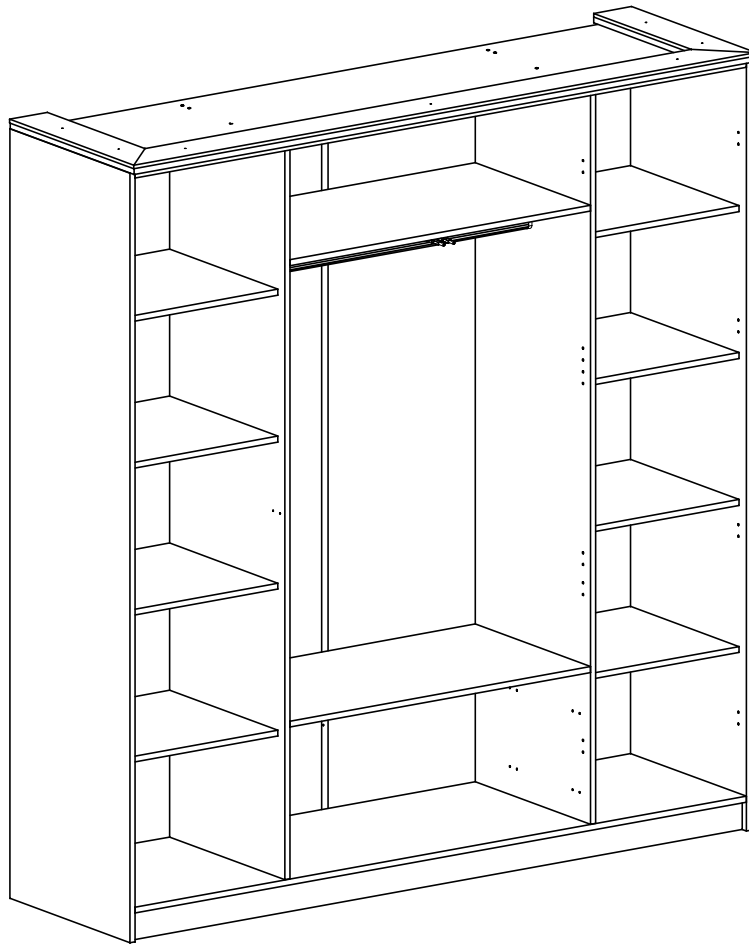
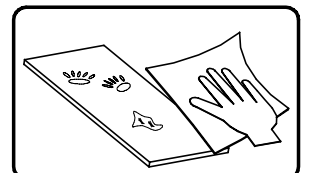
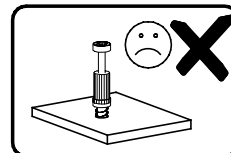
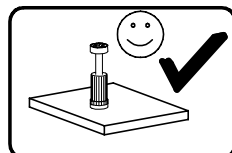
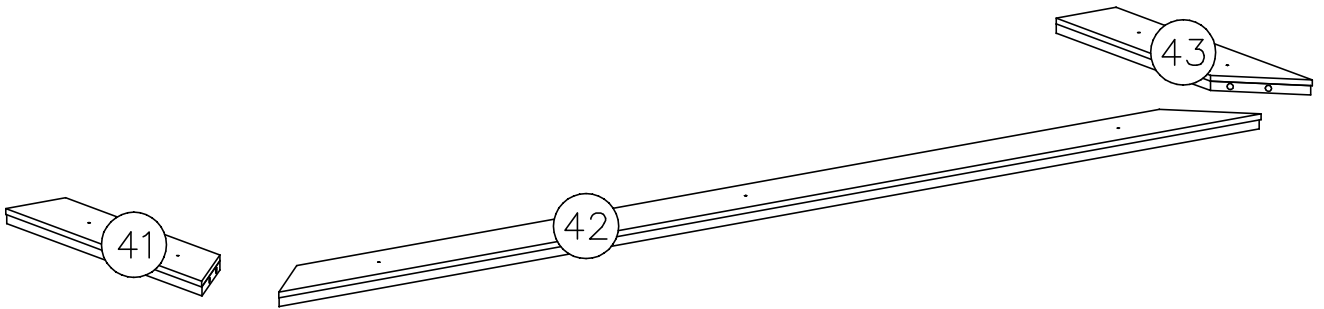
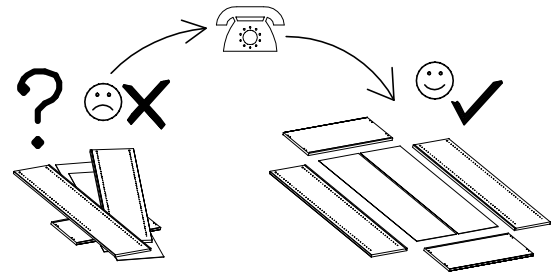
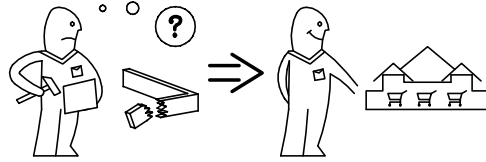
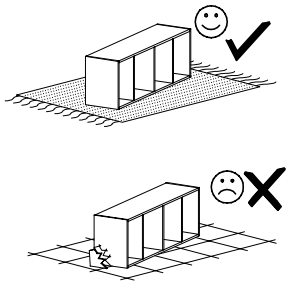





AURORA szafa korona



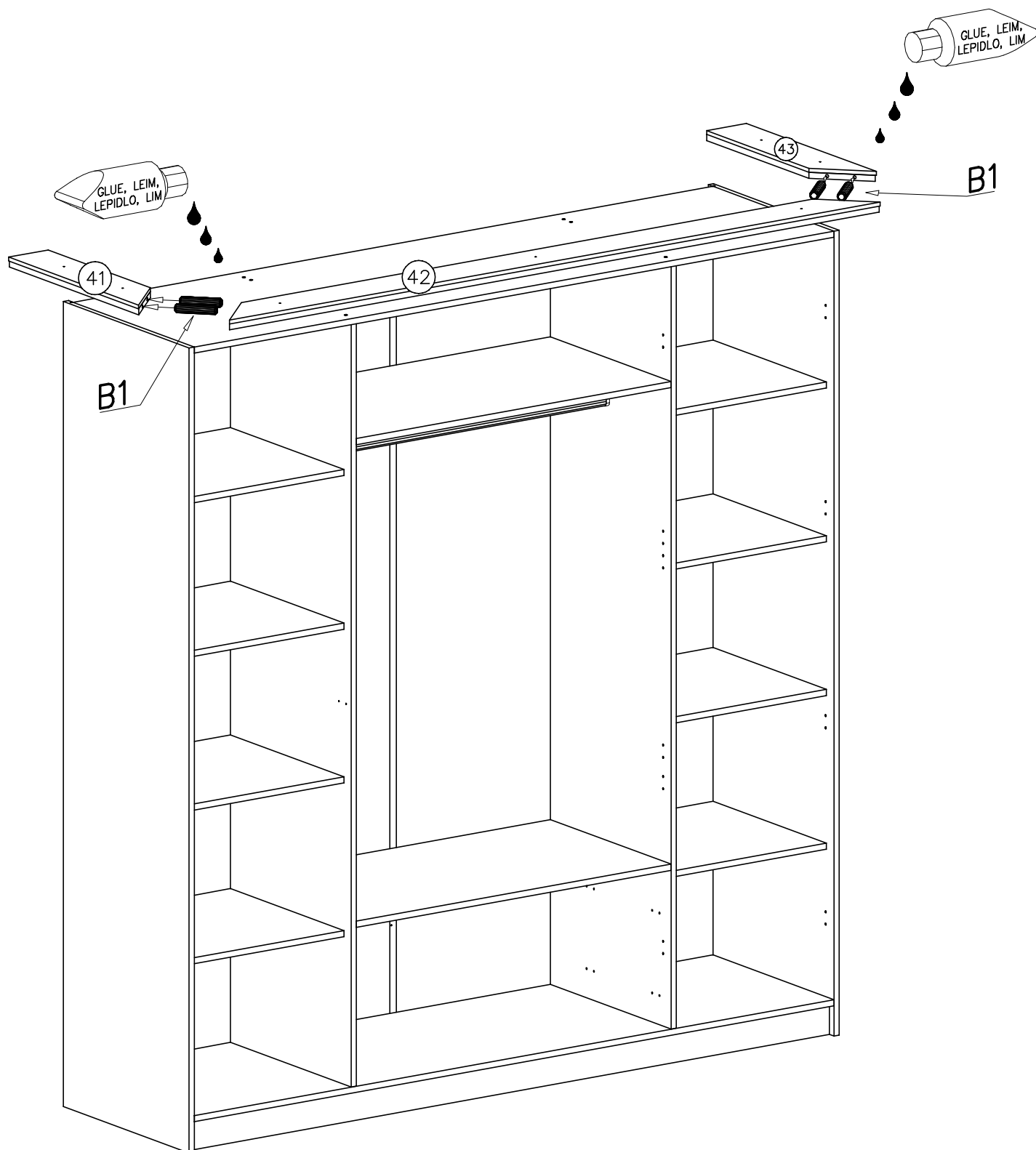
0,5h



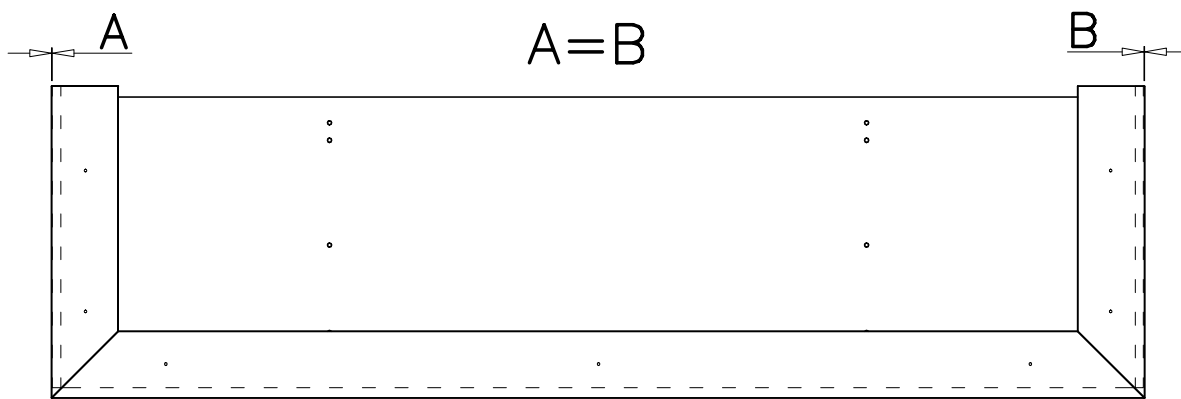


<p>W1</p>  <p>GLUE, LEIM, LEPIDLO, LIM</p> <p>x...(1)</p>	<p>B1</p>  <p>∅8x35 x...(4)</p>
<p>x...(1)</p>	<p>G23</p>  <p>4x40 x...(7)</p>

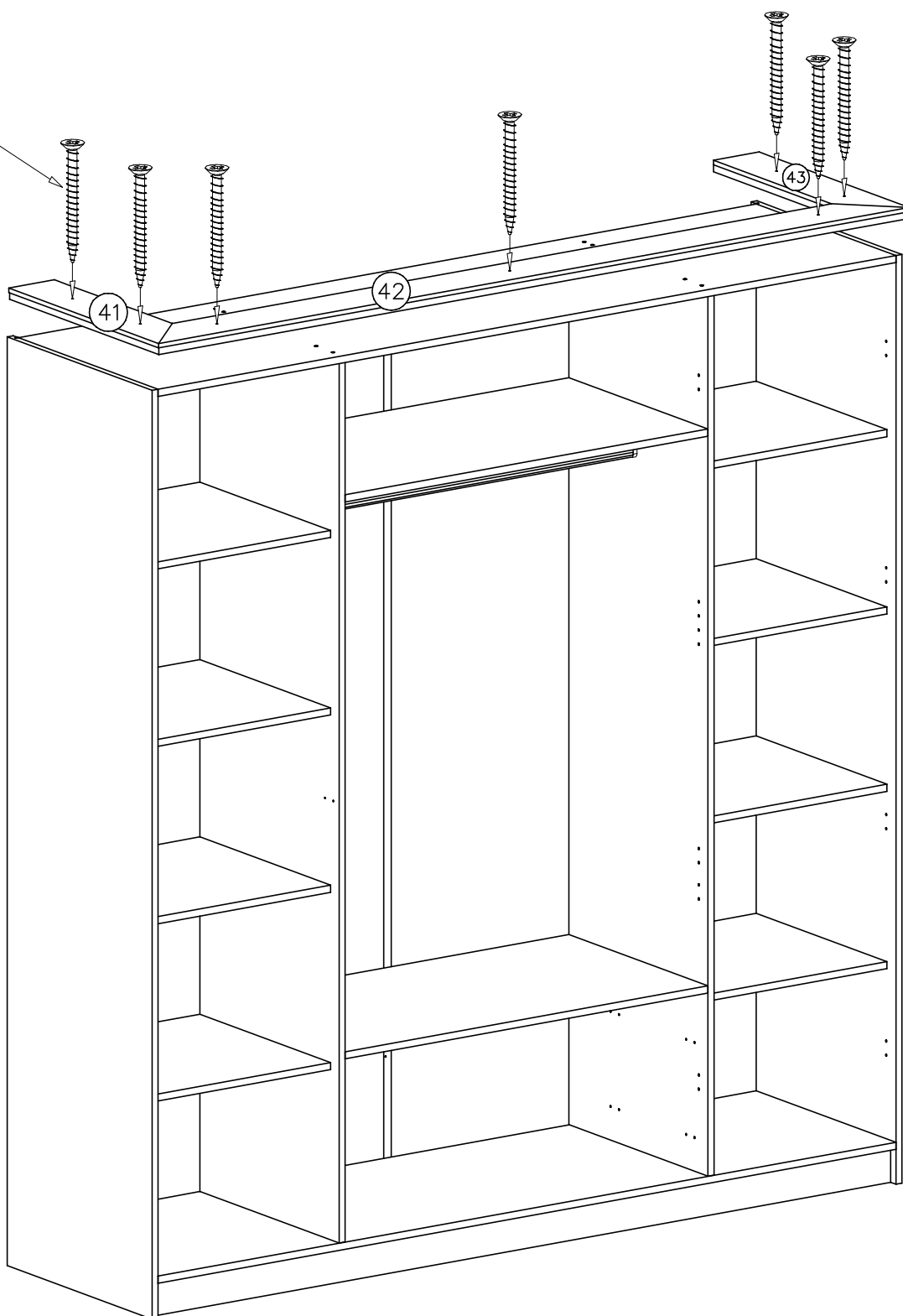
I



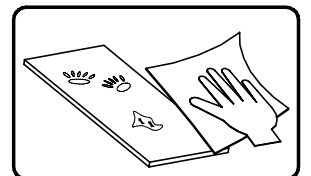
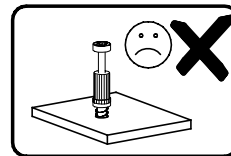
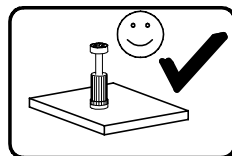
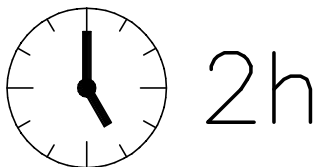
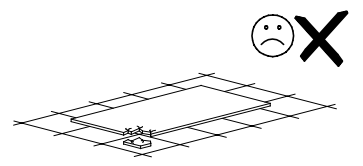
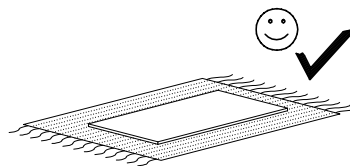
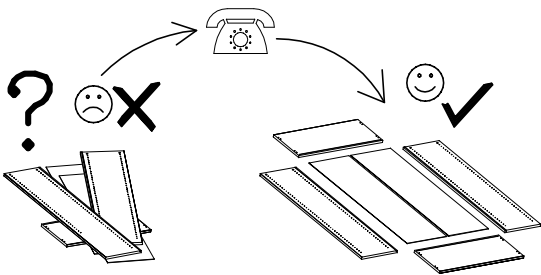
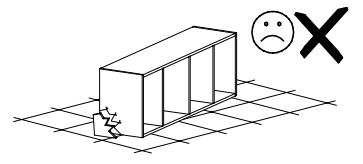
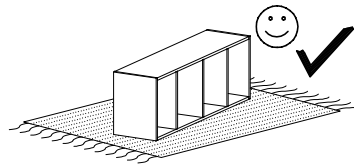
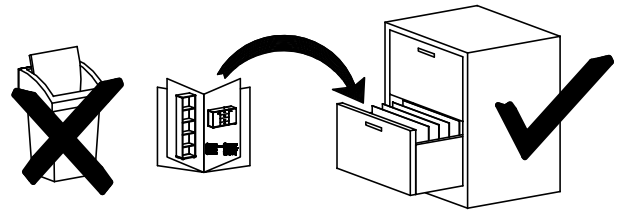
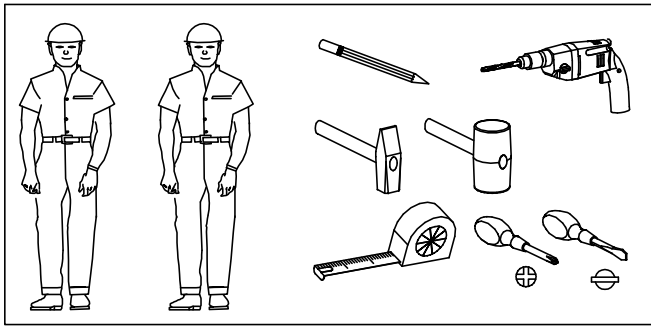
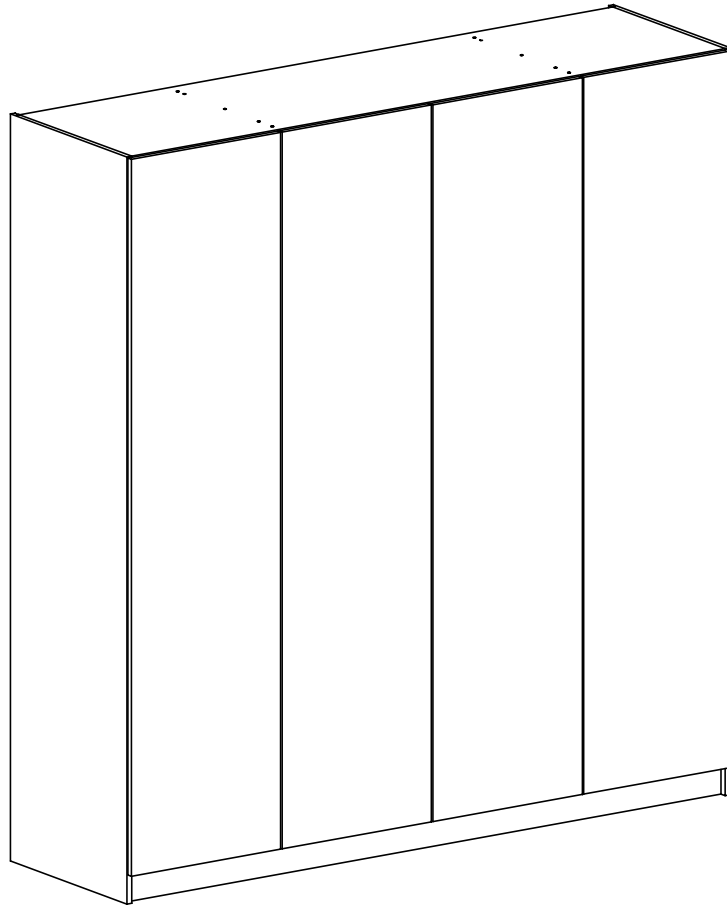
II



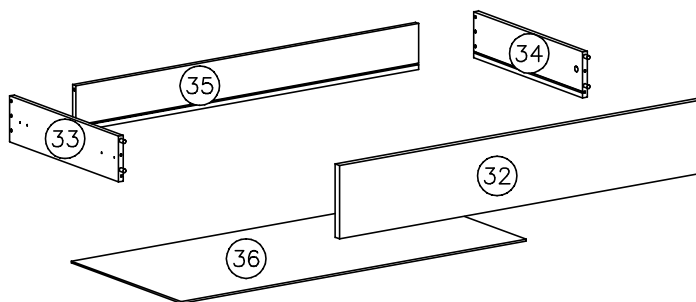
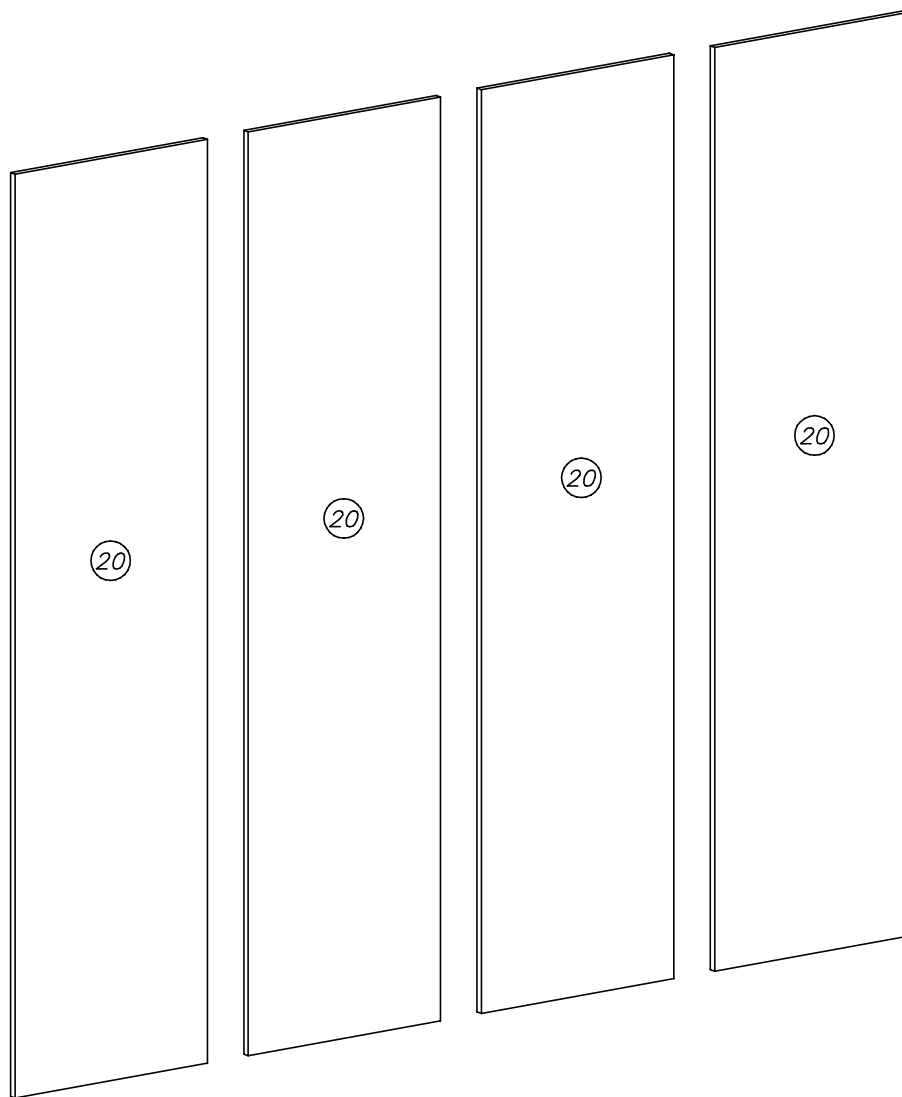
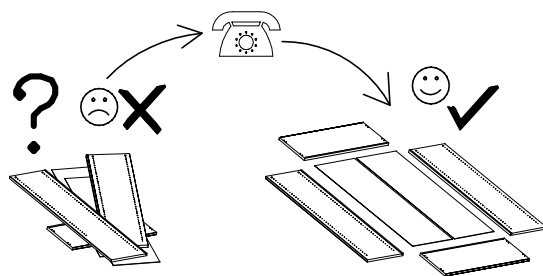
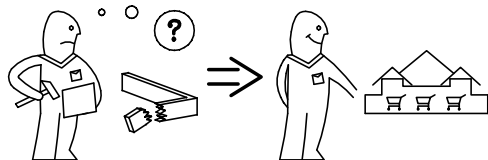
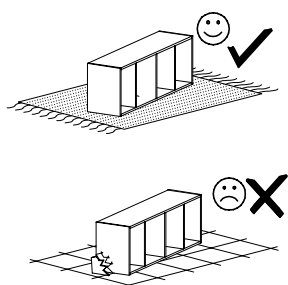
G23

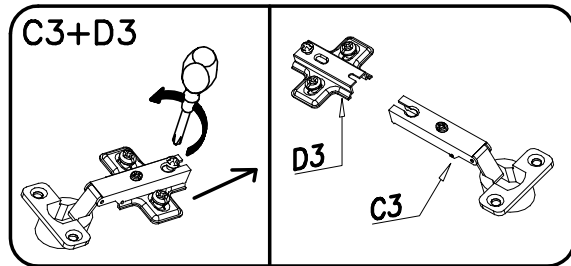
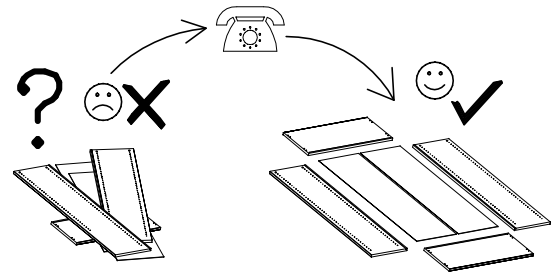
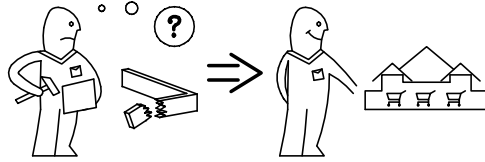
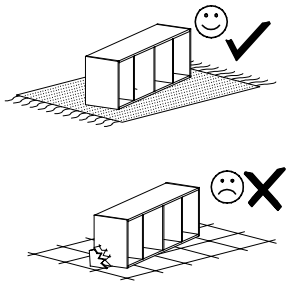


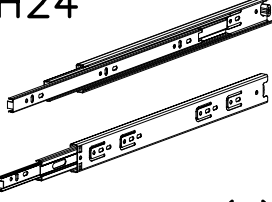
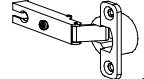


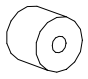
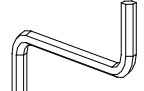

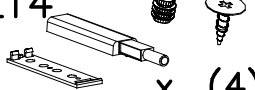
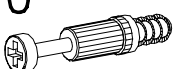

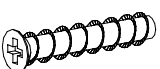



AURORA szafa 4D push



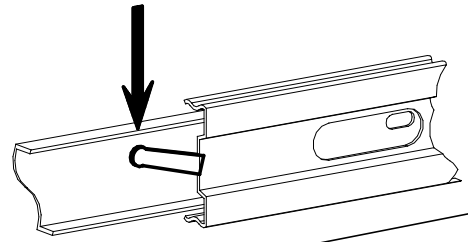
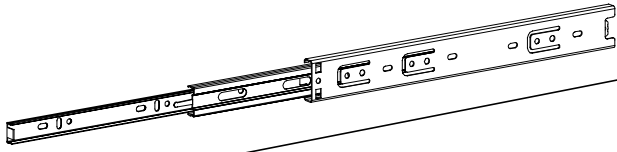
AURORA szafa 4D push



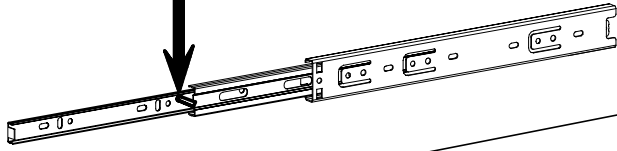


H24  H35-400mm x...(2)	C3  Z35PR x...(16) D3 H=2  PZ35PR x...(16)	G34  3,5x16 x...(36) I27  18mm x...(8)	W2  x...(1)	K4  ø12x10 x...(4) L14  x...(4)
K10  x...(4)	W1  x...(1)	G58  6x32 x...(8)	M8  400mm x...(2)	G20  5x11 x...(8)
		A6  ø7x40 x...(8)		

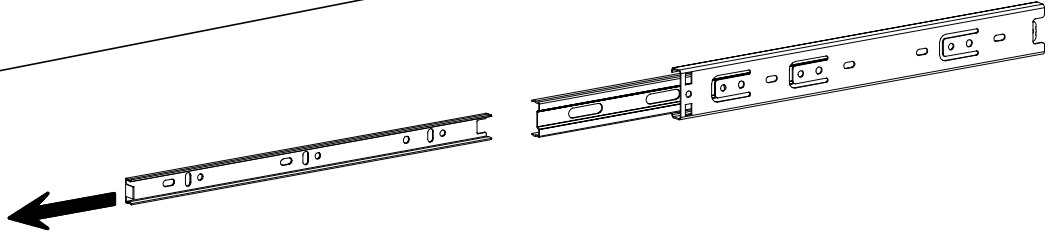
A



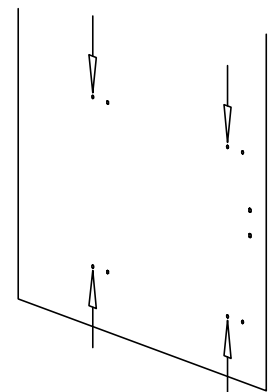
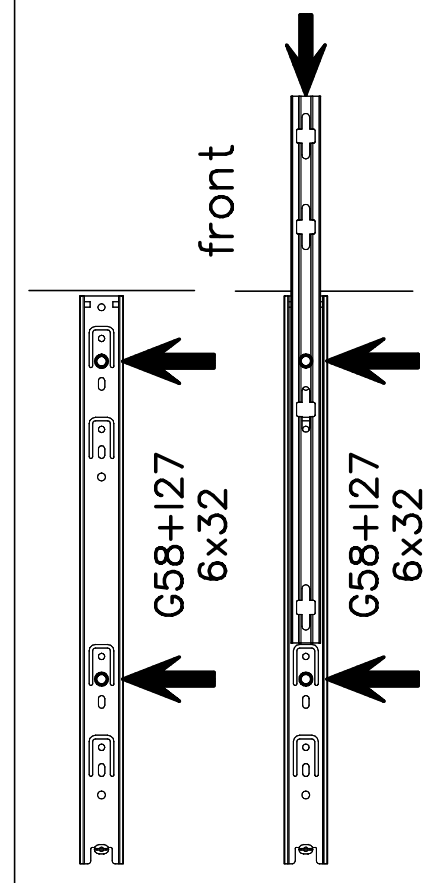
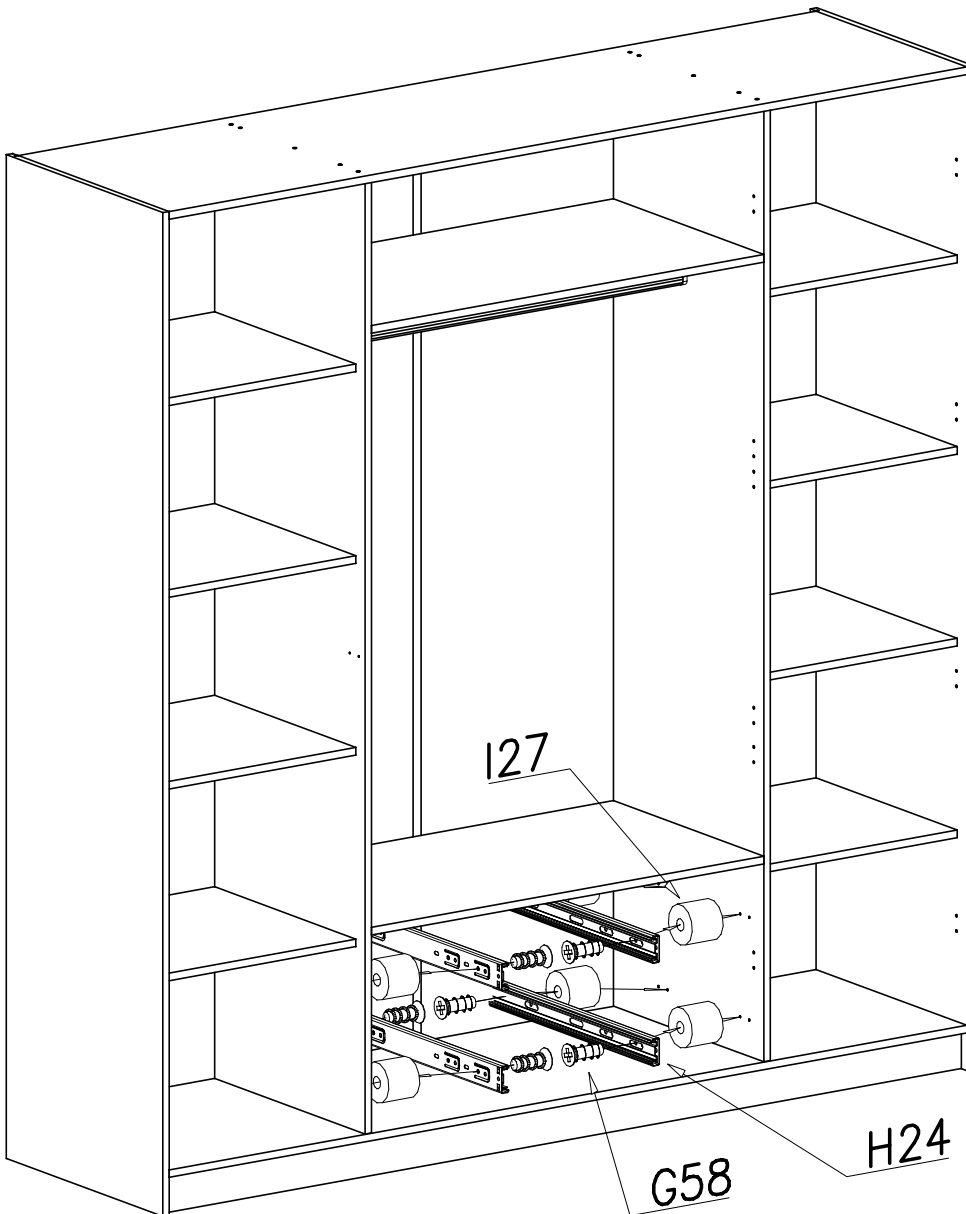
B



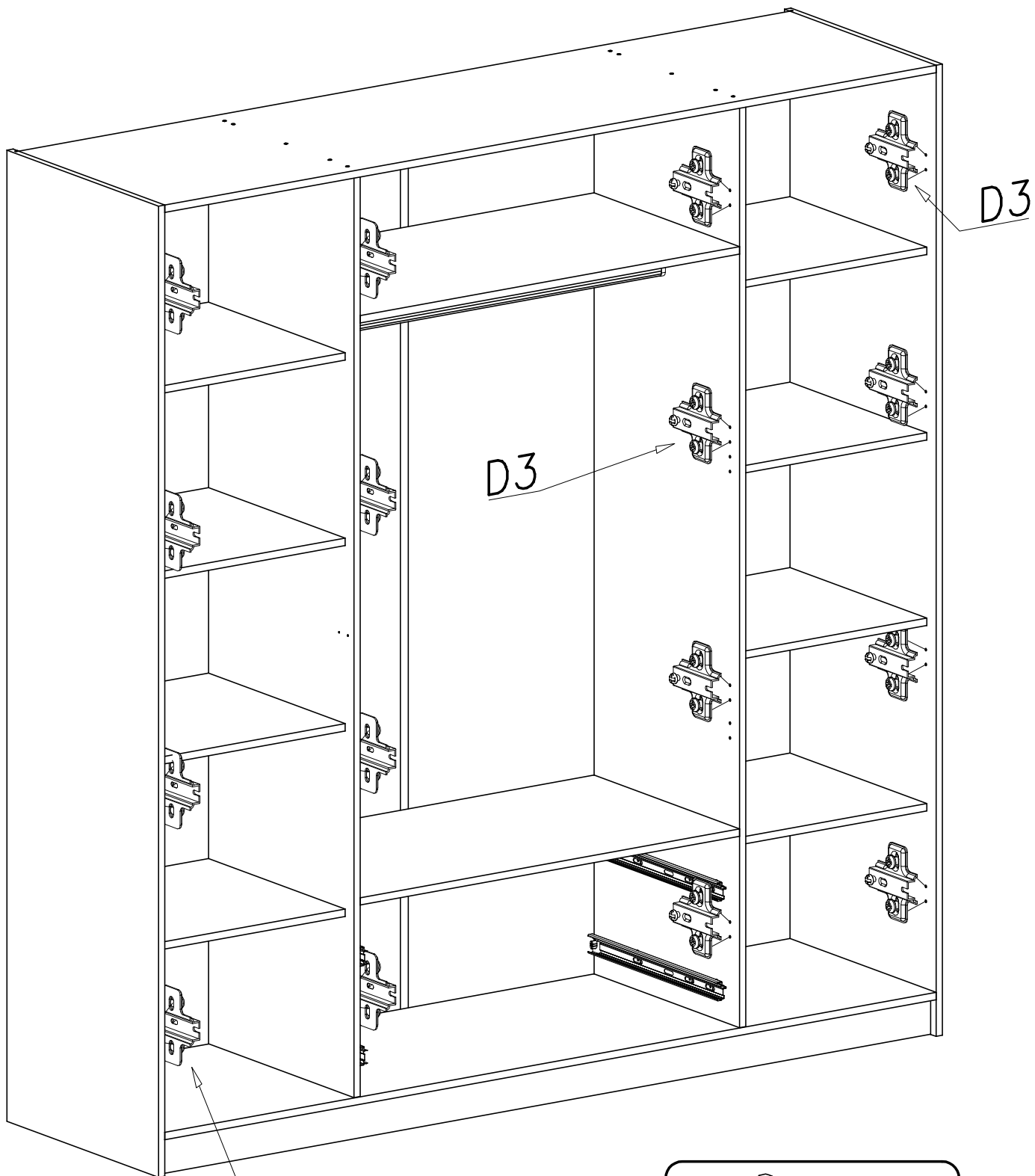
C



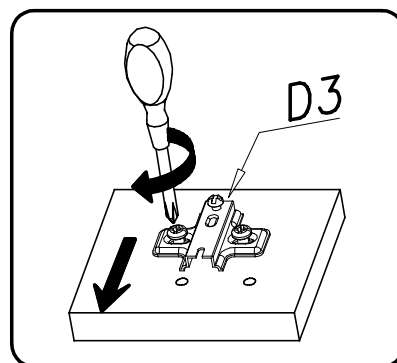
I



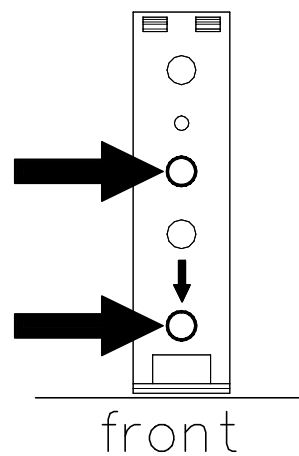
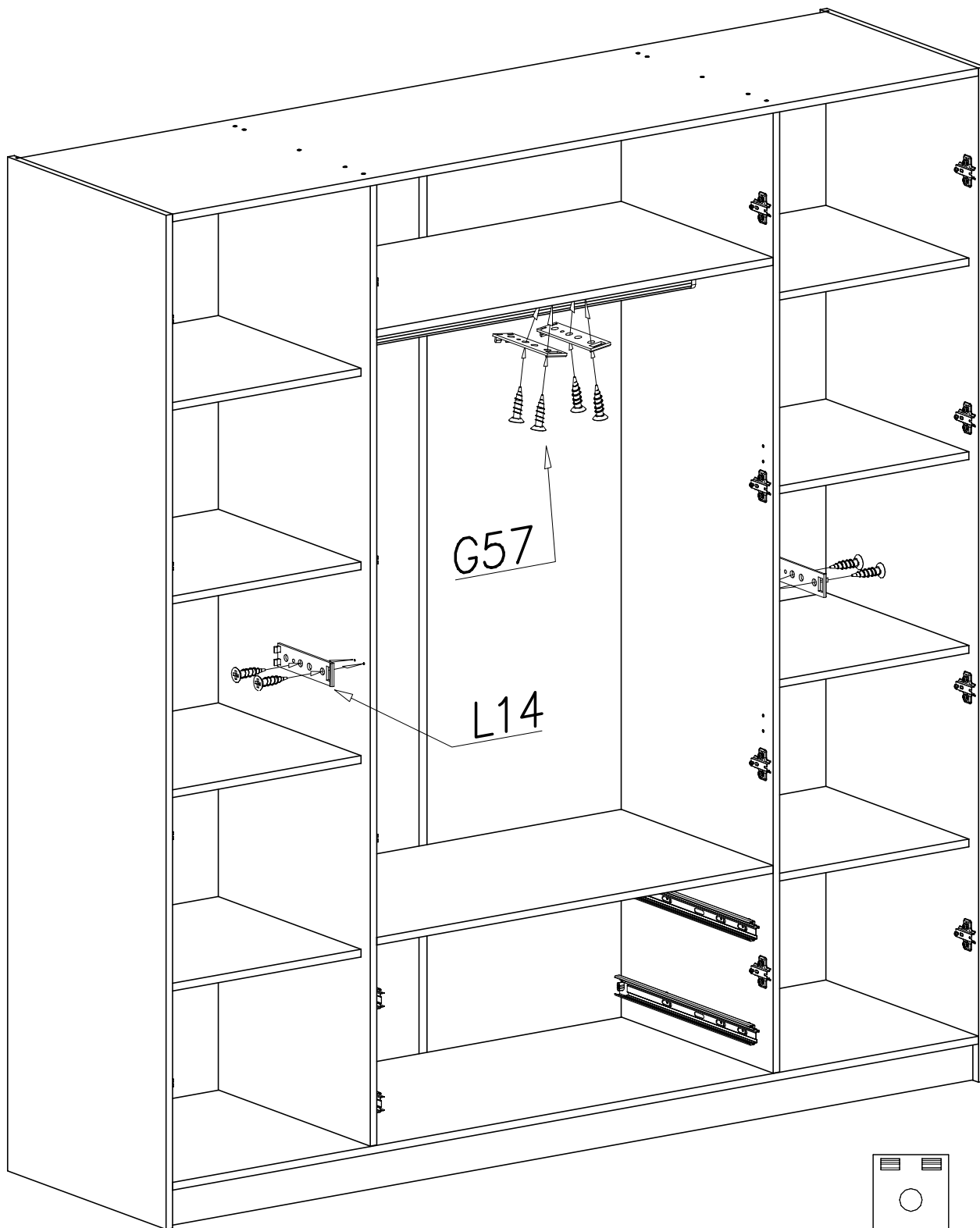
II



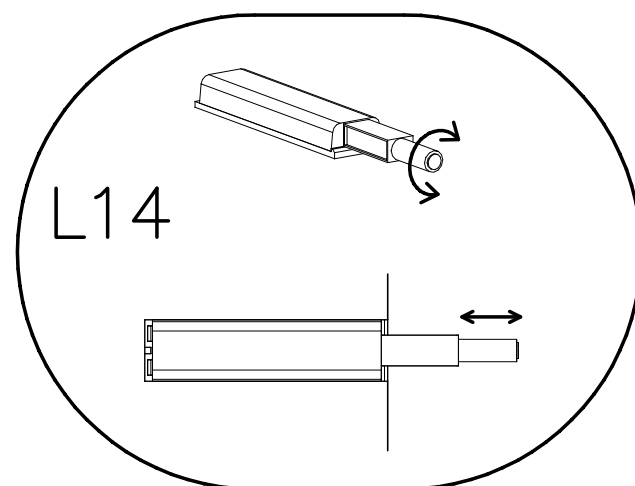
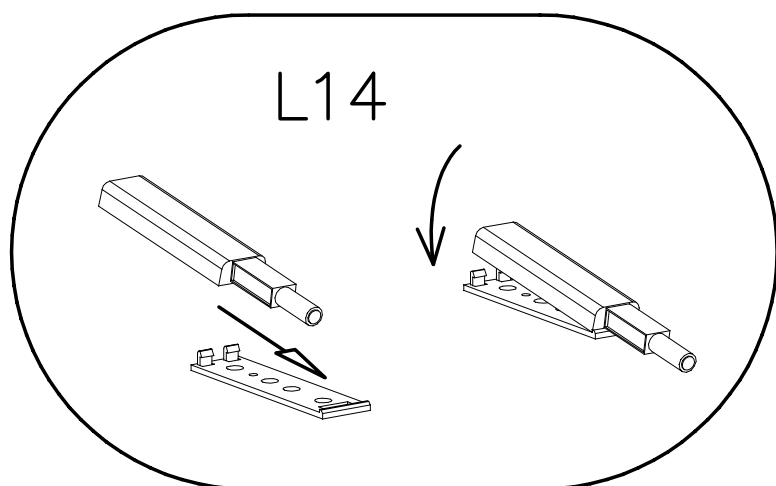
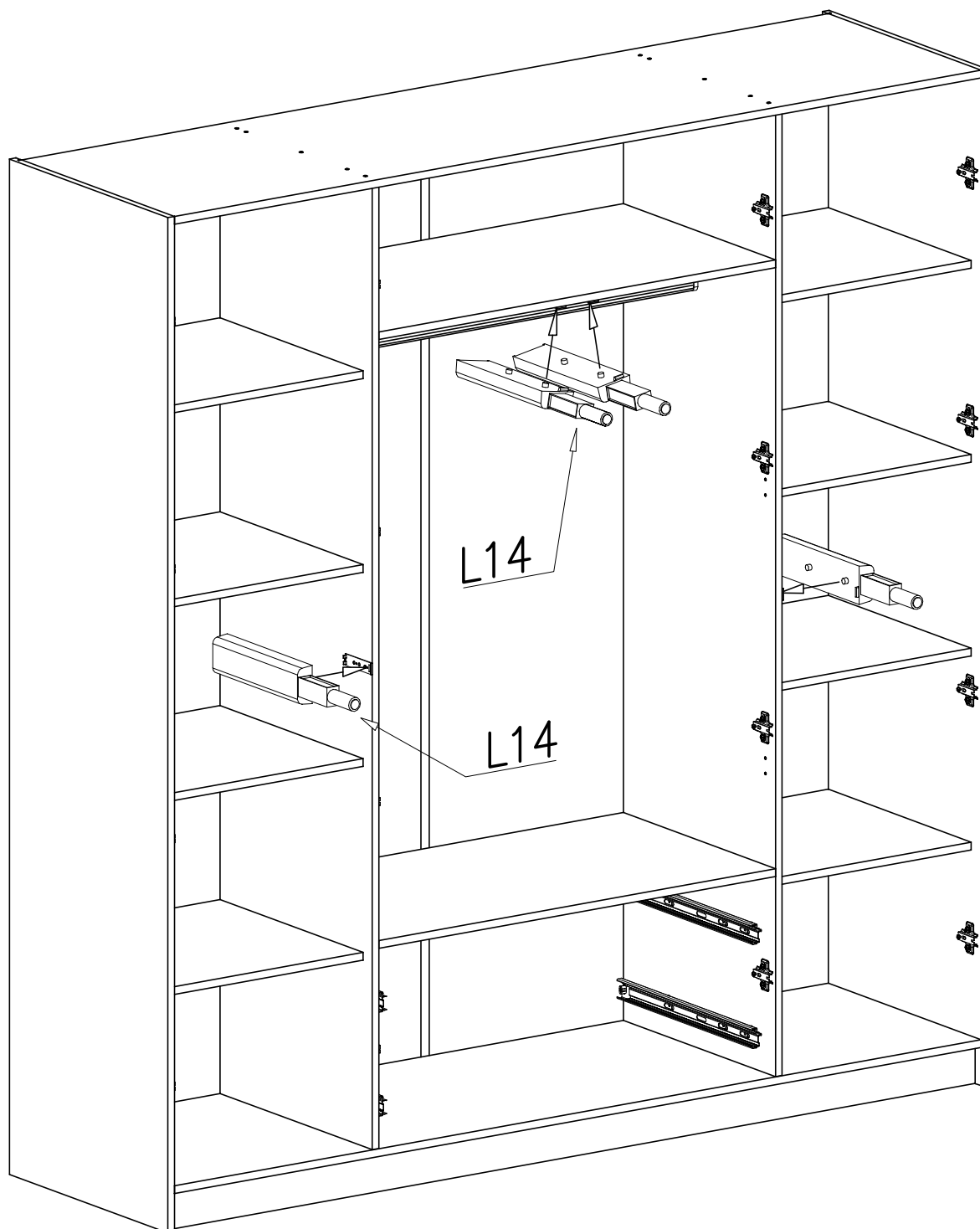
D3



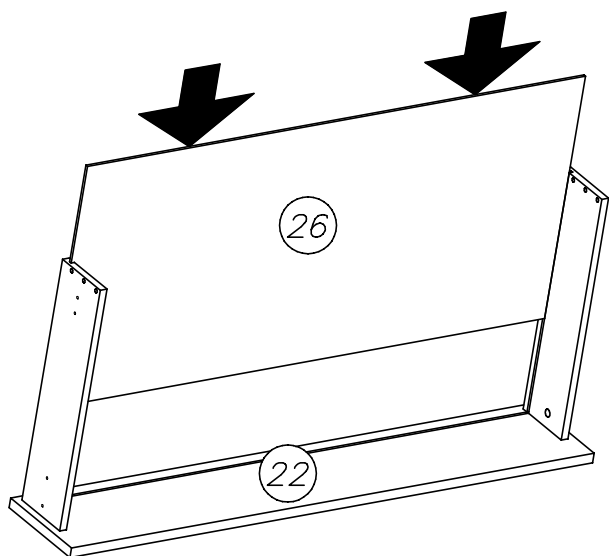
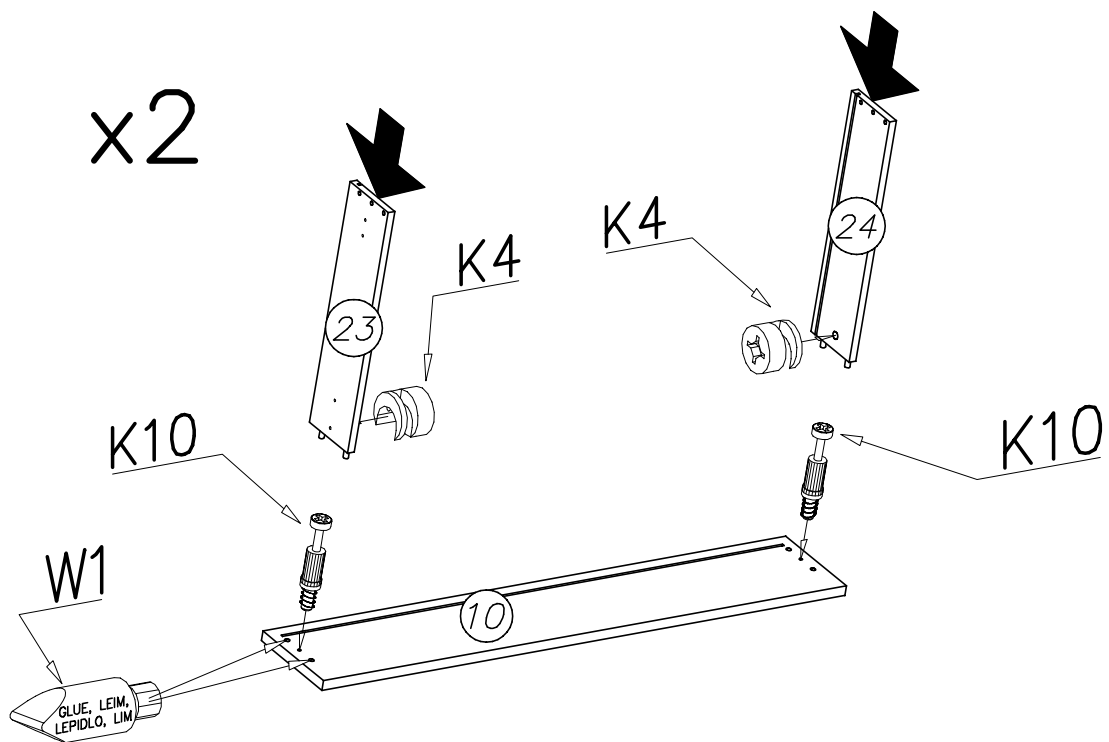
III



IV

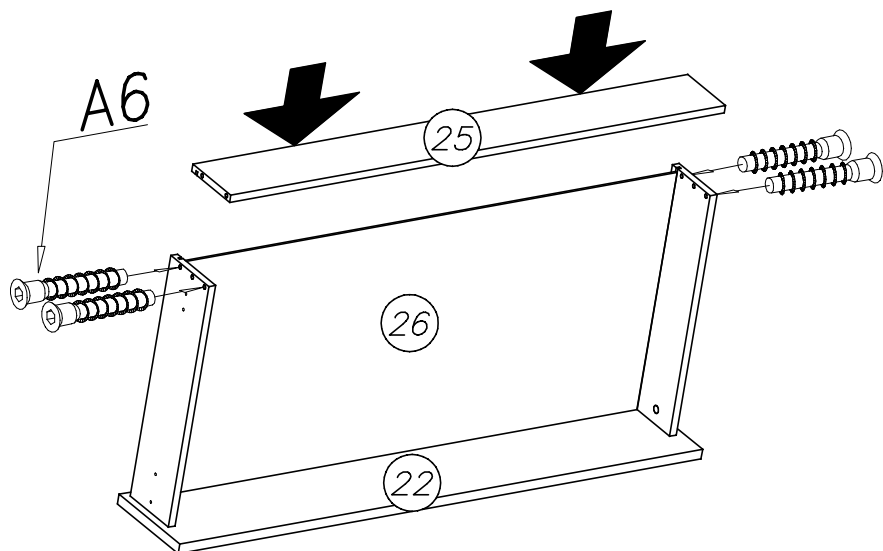


V

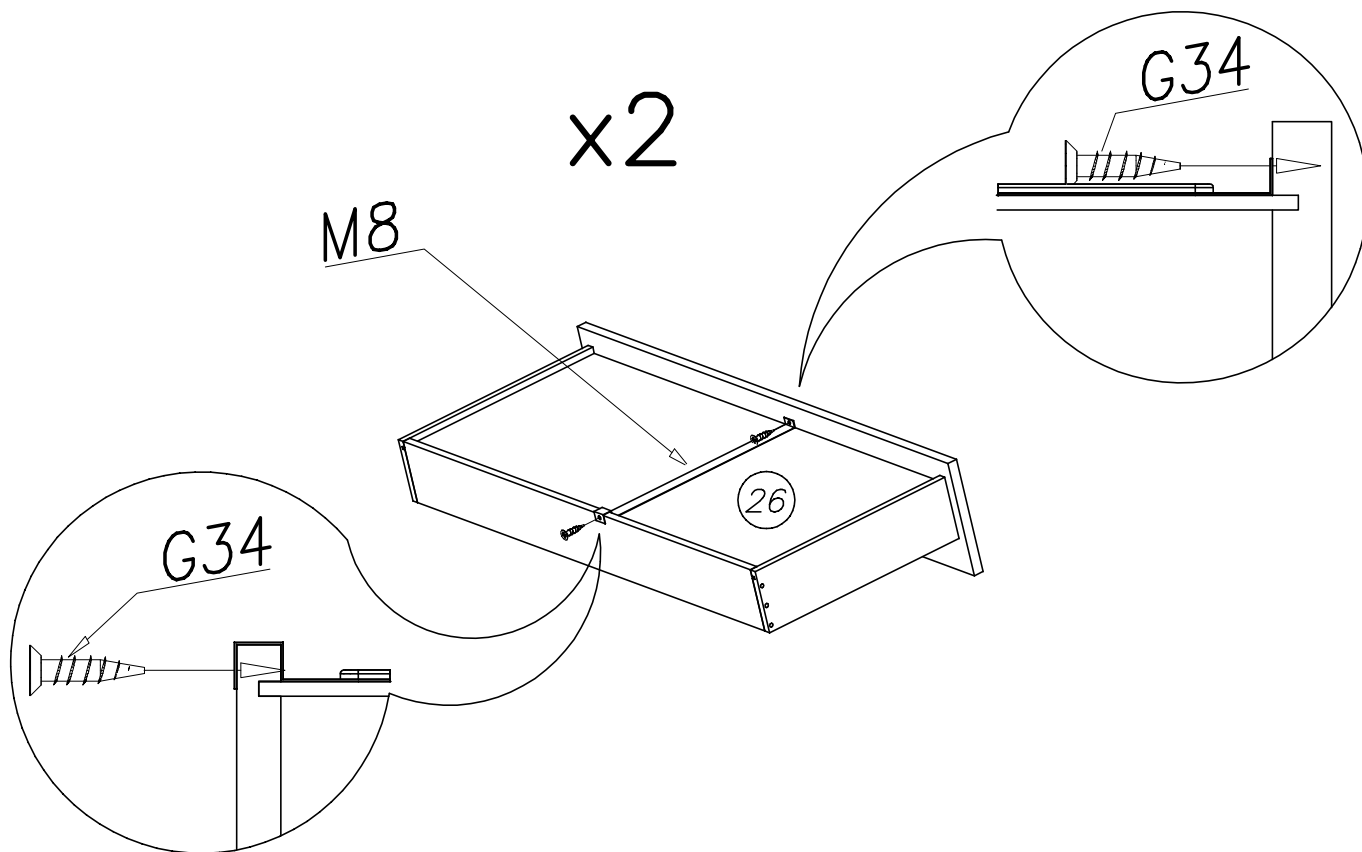


x2

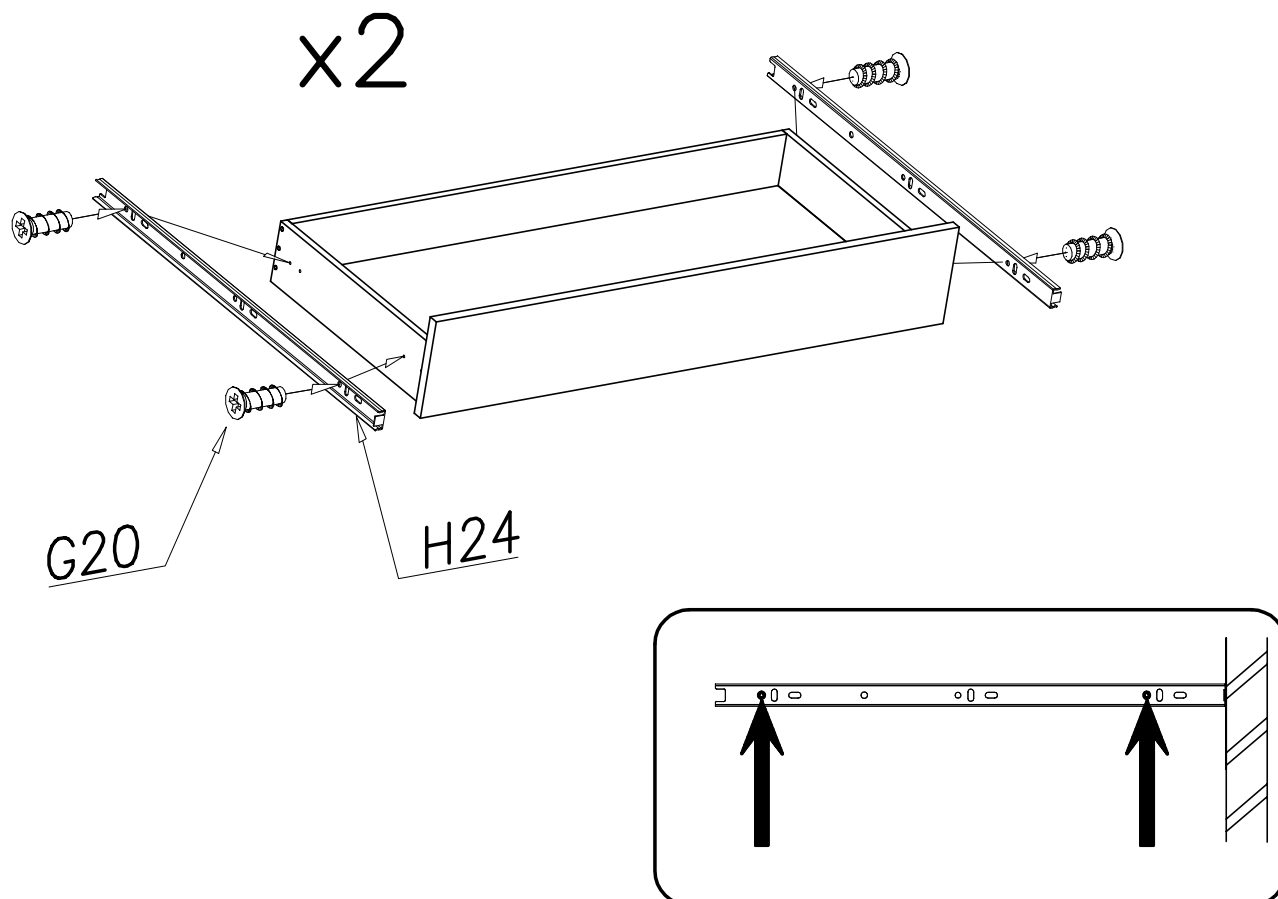
x2



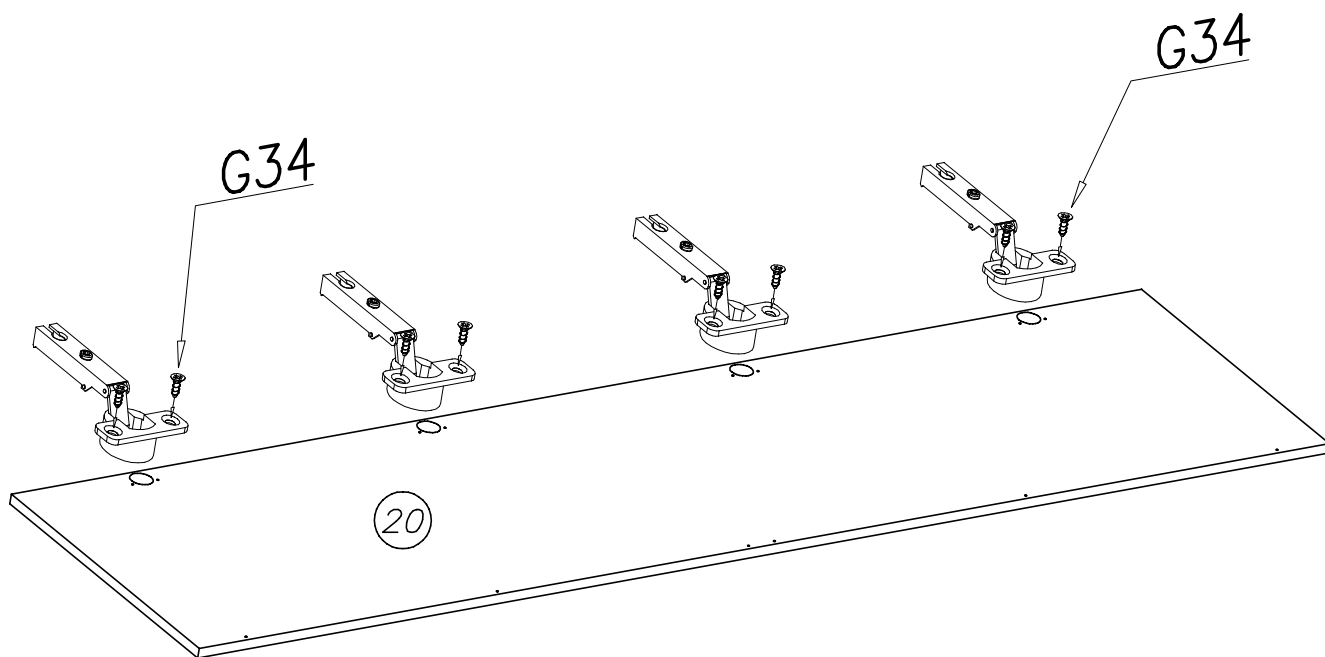
VI



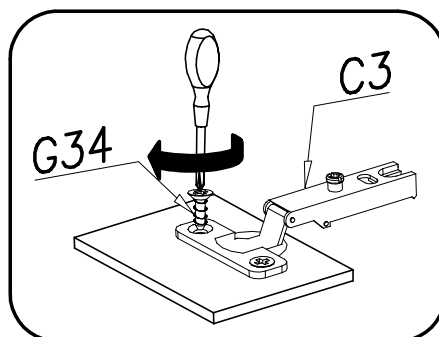
VII



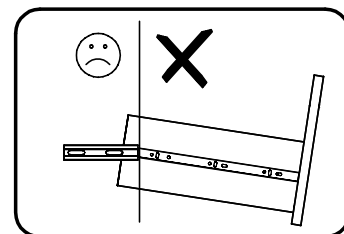
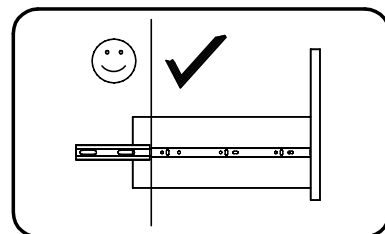
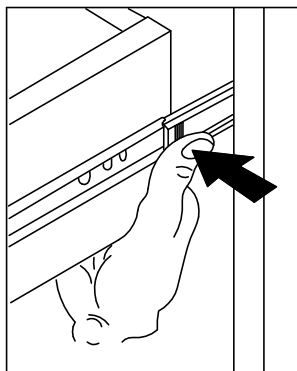
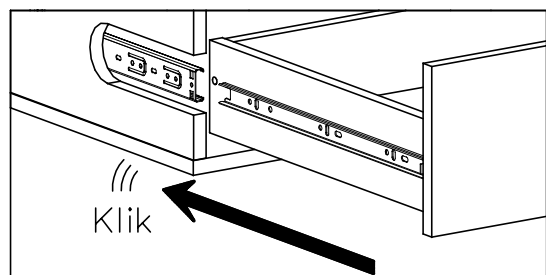
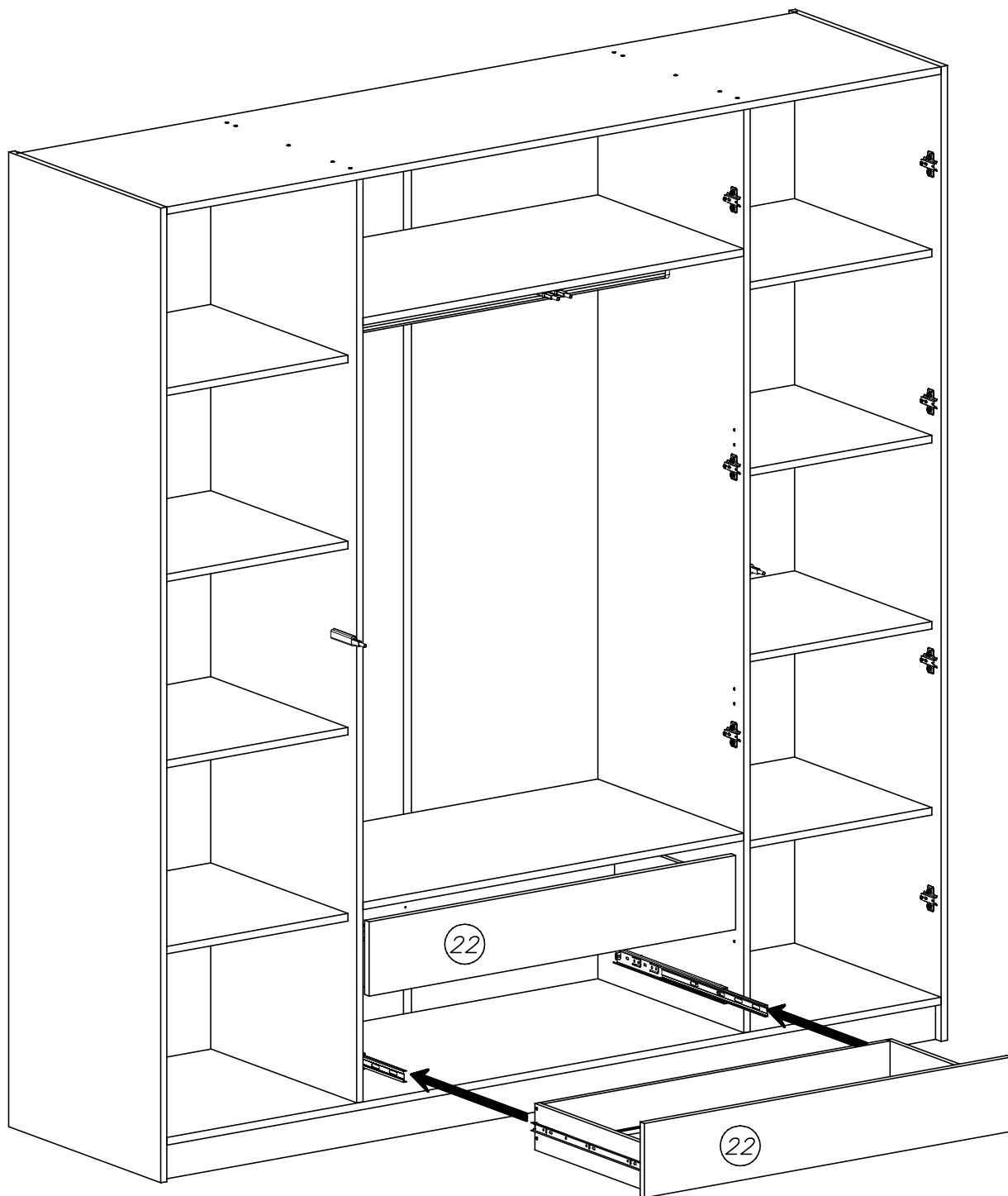
VIII



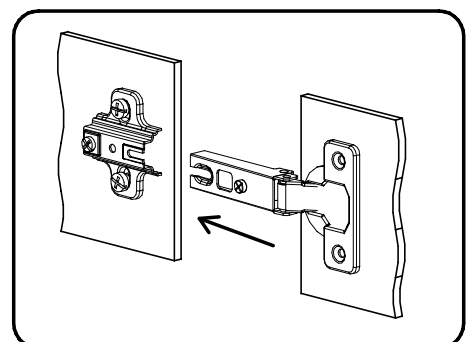
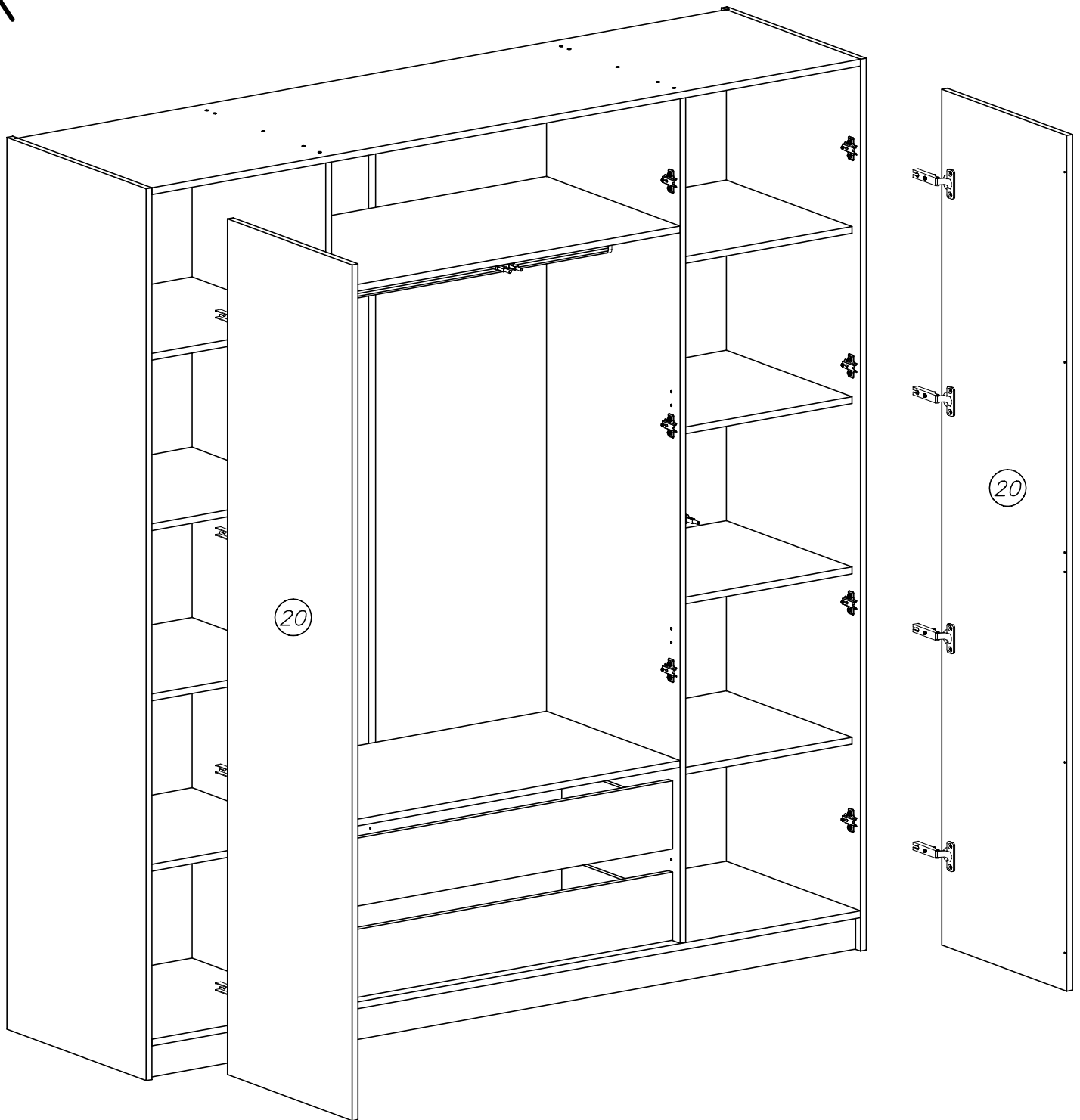
x4



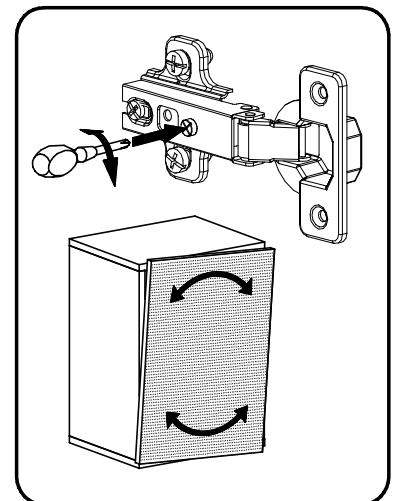
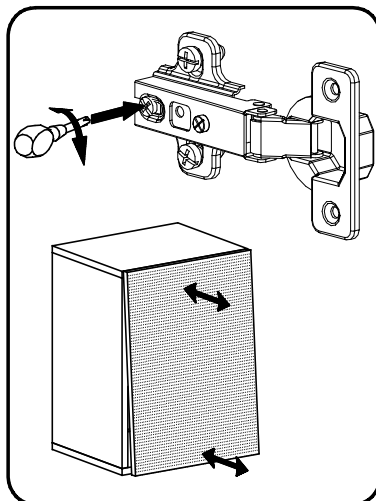
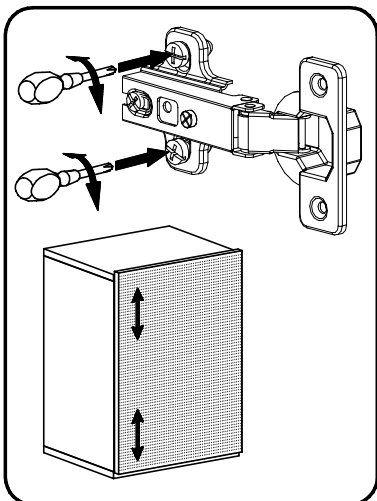
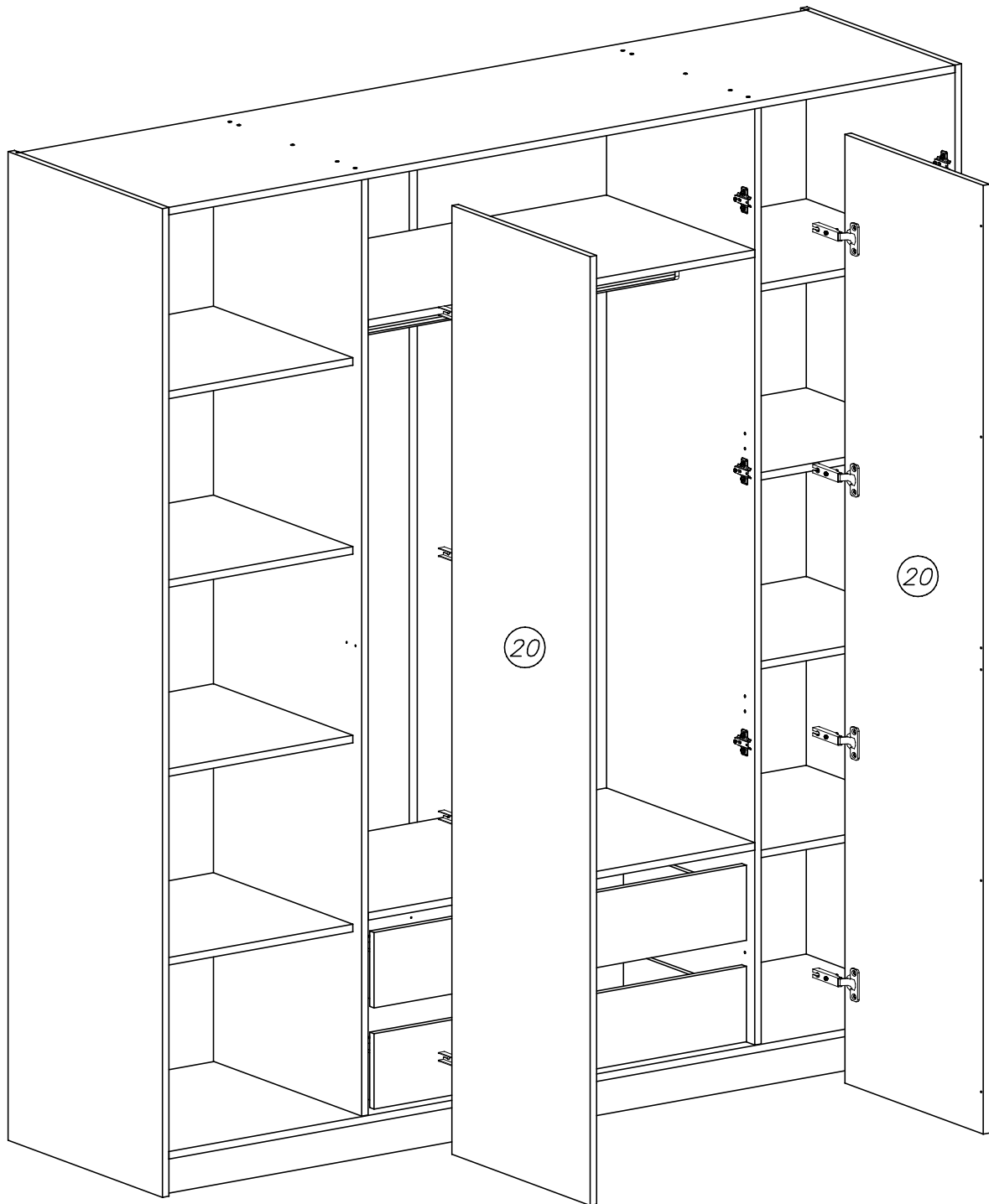
IX



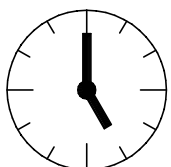
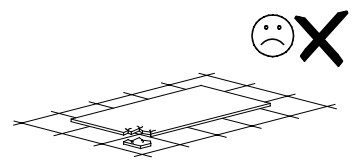
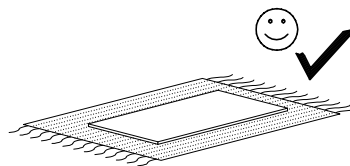
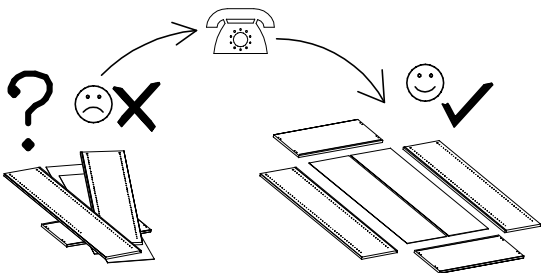
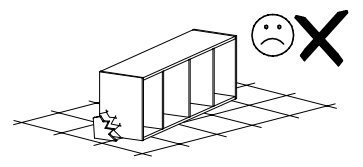
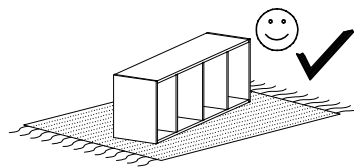
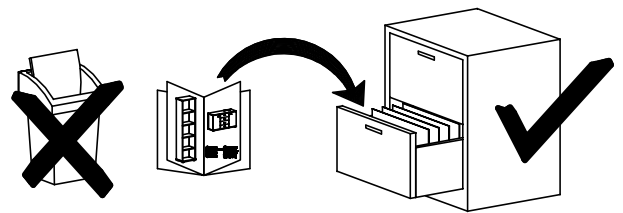
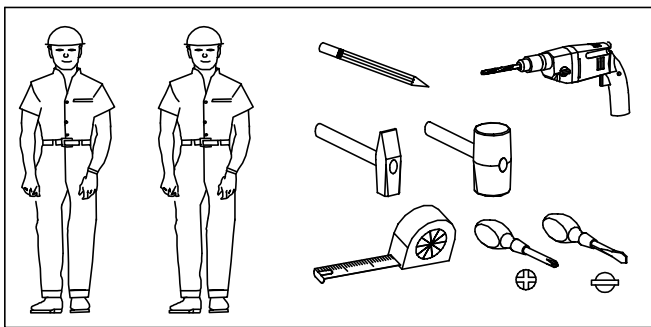
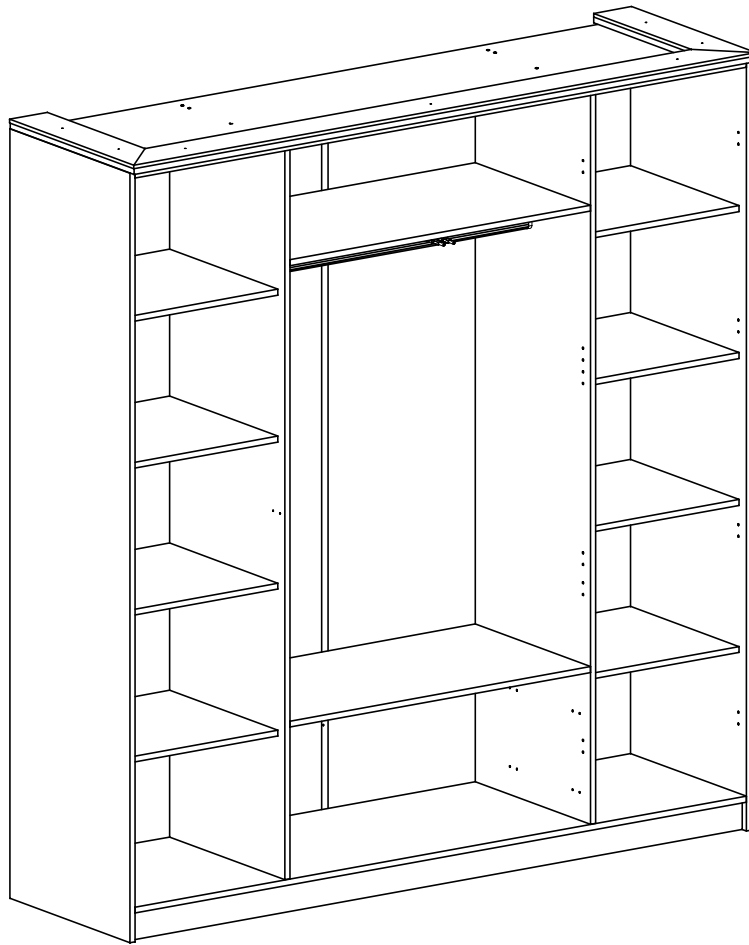
X



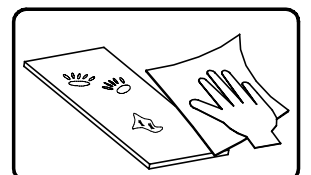
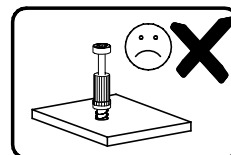
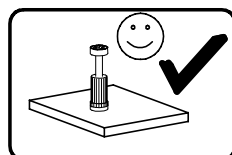
X

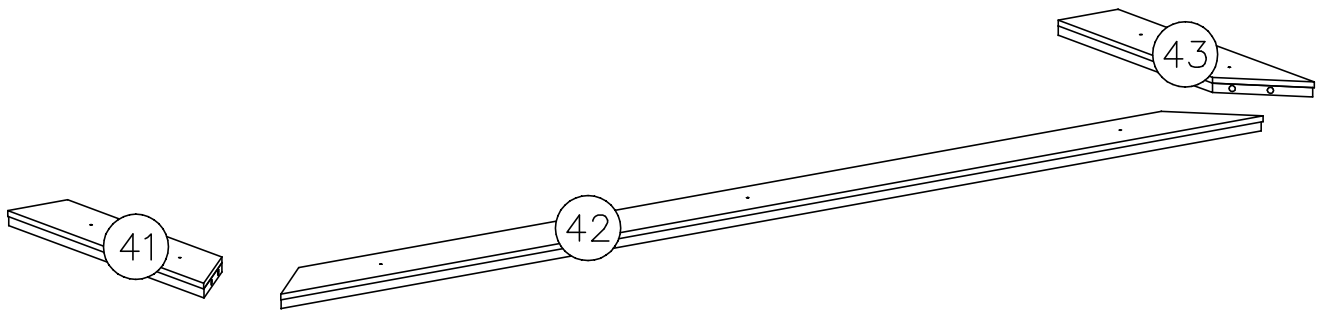
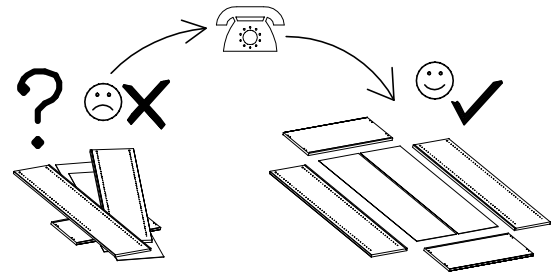
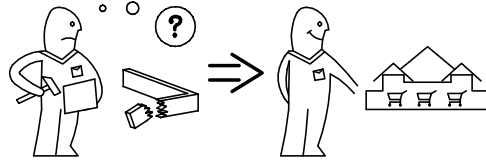
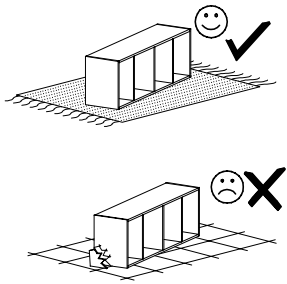





AURORA szafa korona



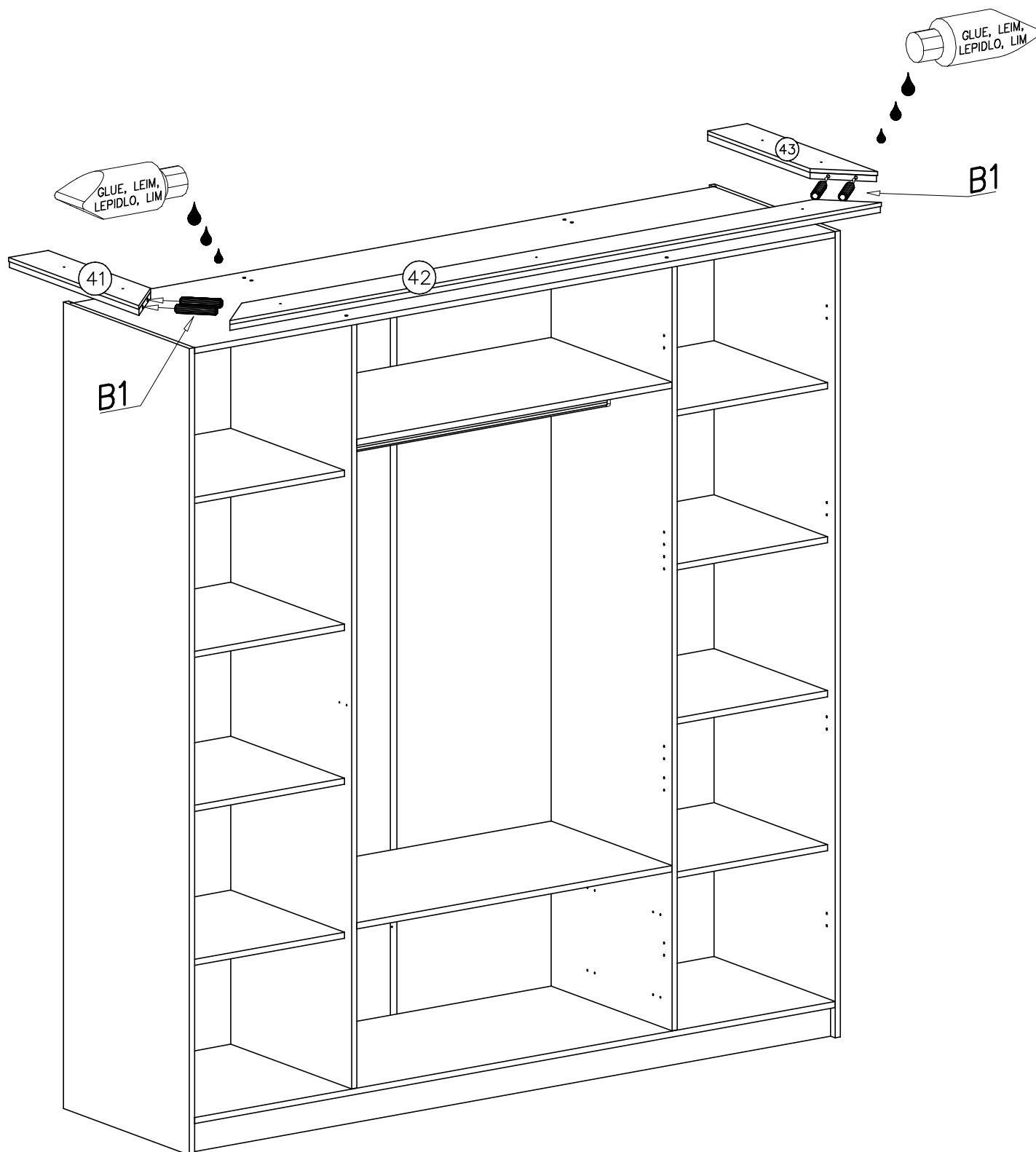
0,5h



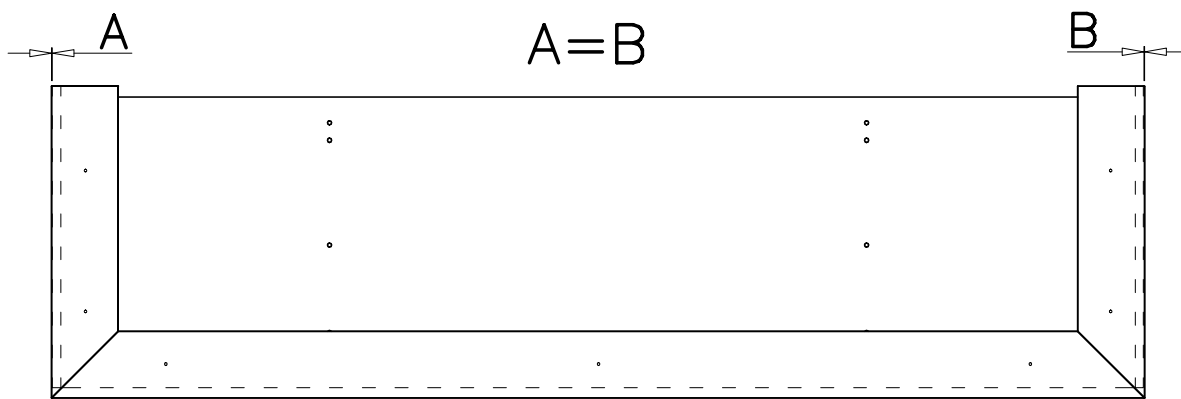


<p>W1</p>  <p>GLUE, LEIM, LEPIDLO, LIM</p> <p>x...(1)</p>	<p>B1</p>  <p>∅8x35 x...(4)</p>
<p>x...(1)</p>	<p>G23</p>  <p>4x40 x...(7)</p>

I



II



G23

