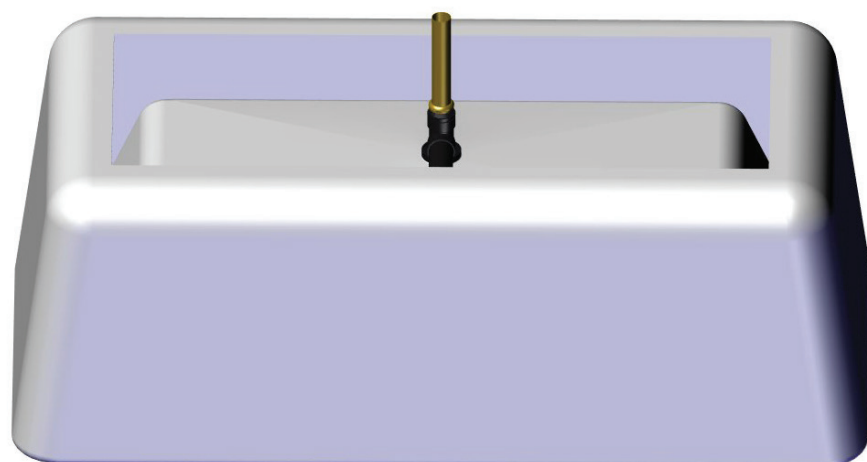
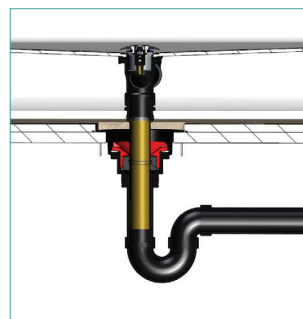


## Installation

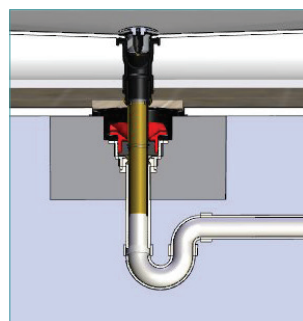


Underneath view of Tub



### Wood sub floor installation\*

1. Affix Island Tub Drain® to Sub Floor and connect to P-Trap
2. Test Cap is integral to product. Remove Cap upon completion of DWV system test (if applicable)
3. Attach Tailpiece (Supplied) to Bath Waste
4. Carefully lower Tub into Island Tub Drain®



### Slab on grade installation\*

1. Connect Island Tub Drain® to P-Trap
2. Test Cap is integral to product. Remove Cap upon completion of DWV system test (if applicable)
3. Pour Concrete around Island Tub Drain® and allow to dry
4. Attach Tailpiece (Supplied) to Bath Waste
5. Carefully lower Tub into Island Tub Drain®

\*For complete Installation Instructions please refer to the Instruction Sheet supplied with Island Tub Drain®

To see our videos:



[www.youtube.com/c/osbplumbing](http://www.youtube.com/c/osbplumbing)



Scan the QR Code

Island Tub Drain® is Patented in Canada (Patent # 2,813,010) and the United States of America (Patent # 9,551,138).  
ITD® and Island Tub Drain® are Registered Trademarks of Oakville Stamping and Bending Limited.  
The Red Drain™ is a Registered Trademark of Oakville Stamping and Bending Limited.  
OS&B® is a Registered Trademark of Oakville Stamping and Bending Limited (OS&B®).  
Total!™ is a Trademark of Oakville Stamping and Bending Limited.

**+osb**™ and done.

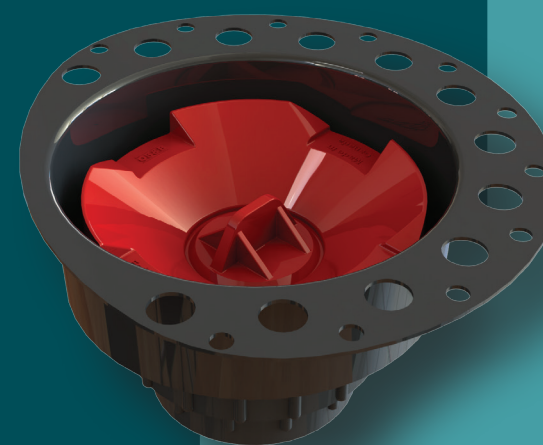
osb.ca  
osbplumbing.com

## The Red Drain®

The original testable Freestanding Tub Drain Rough-in featuring a snap off Test Cap and an asymmetrical Deck Plate designed not to interfere with a freestanding faucet rough-in.

Rough in a Freestanding Tub in advance.... Install a Freestanding Bath Tub in minutes.

**and done.**



**+osb**™ and done.

OSBITD-0425

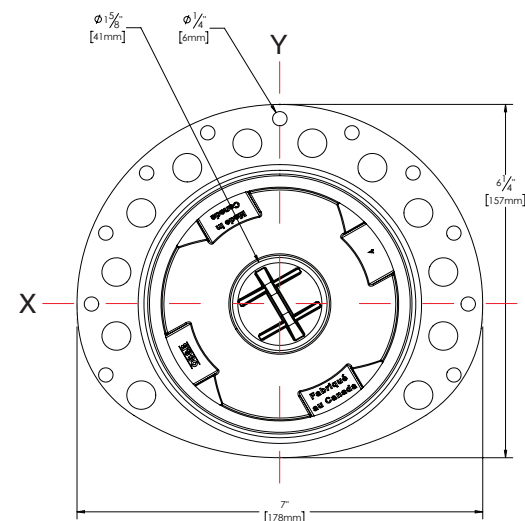


## PRODUCT BULLETIN Island Tub Drain® (Testable Rough-in)

# Asymmetrical design makes installation of a freestanding bath tub even easier...

Featuring a snap-off Test Cap and an Asymmetrical Deck Plate designed not to interfere with a freestanding faucet rough-in!

**and done.**



**Snap-off Test Cap**  
Keeps Debris out during construction. Snap off after testing. Will not fall in drain.

**Screw holes**  
Fixes Flange to subfloor. Screws not included.

**Mortar/Concrete setting holes**  
Fixes Flange to substrate.

**Deck Plate**  
18 Gauge Epoxy coated Metal Deck Flange

**Asymmetrical Design**  
Makes installation easier especially when installed next to a freestanding faucet rough-in or a wall.

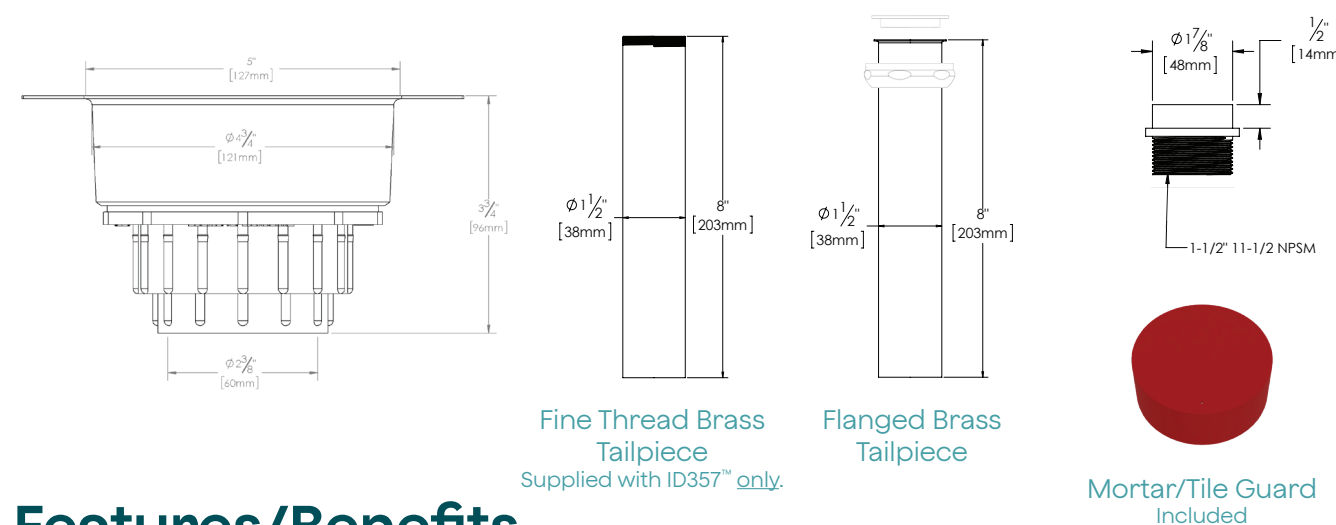
**2" x 1-1/2" ABS or PVC Reducing Bushing (installation optional)**  
On ITD35™ and ITD5135™ only.

**Choice of Base Materials**  
ABS: ITD35™  
PVC: ITD5135™  
Cast Iron: ID357™

ITD35™  
ABS model  
Shown

ITD5135™ PVC model

ID357™ Cast Iron model



## Features/Benefits

- Asymmetrical 18 Gauge Epoxy coated Metal Deck Flange - makes installation in tight spaces easier
- Built-in Snap-off Test Cap - allows for water/air/smoke testing (Rated to 30psi)
- Island Tub Drain® is a Freestanding Tub rough-in (install before tile installation) - access below fixture not required
- Low profile design - allows for installation in 8" joist space or greater

## Includes

- Fine Thread Brass Tailpiece (supplied with ID357™ only)
- Flanged Brass Tailpiece
- ABS or PVC Adapter Kit (ITD35™/ITD5135™ only). Attaches to ABS or PVC Bath Wastes
- Island Drain assembly
- 2" x 1-1/2" ABS or PVC Reducing Bushing (ITD35™/ITD5135™ only)
- Cutting template
- Mortar/Tile Guard

## Installation Tips

- NOTE: Island Tub Drain® IS NOT FOR USE with liquid applied or sheet membranes
- NOTE: Island Tub Drain® MUST BE INSTALLED in a dry area with no potential of water contact
- Use 5" hole saw to cut sub floor (not included). Cutting template included
- Secure Deck Flange with 6 screws (not included)
- Do not cut the brass Tailpiece as this may cause a leak

ITEM #	DESCRIPTION	BARCODE 7 75439	CTN QTY
ITD35™	ABS ISLAND TUB DRAIN®	06452 6	1
ITD5135™	PVC ISLAND TUB DRAIN®	06455 7	1
ID357™	CAST IRON ISLAND TUB DRAIN®	06462 5	1

## Certification\*



\*The "cSAUS Meets UPC & IPC Code" mark means the product conforms to the requirements of the NPC, UPC, IPC and IRC.

