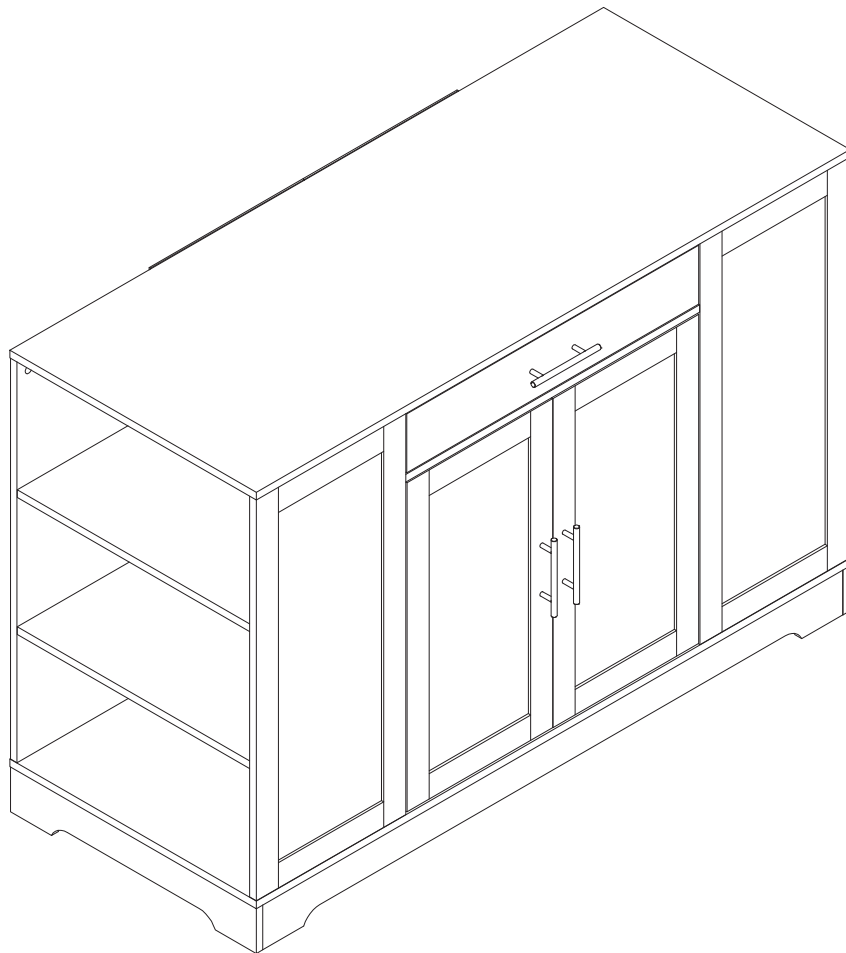
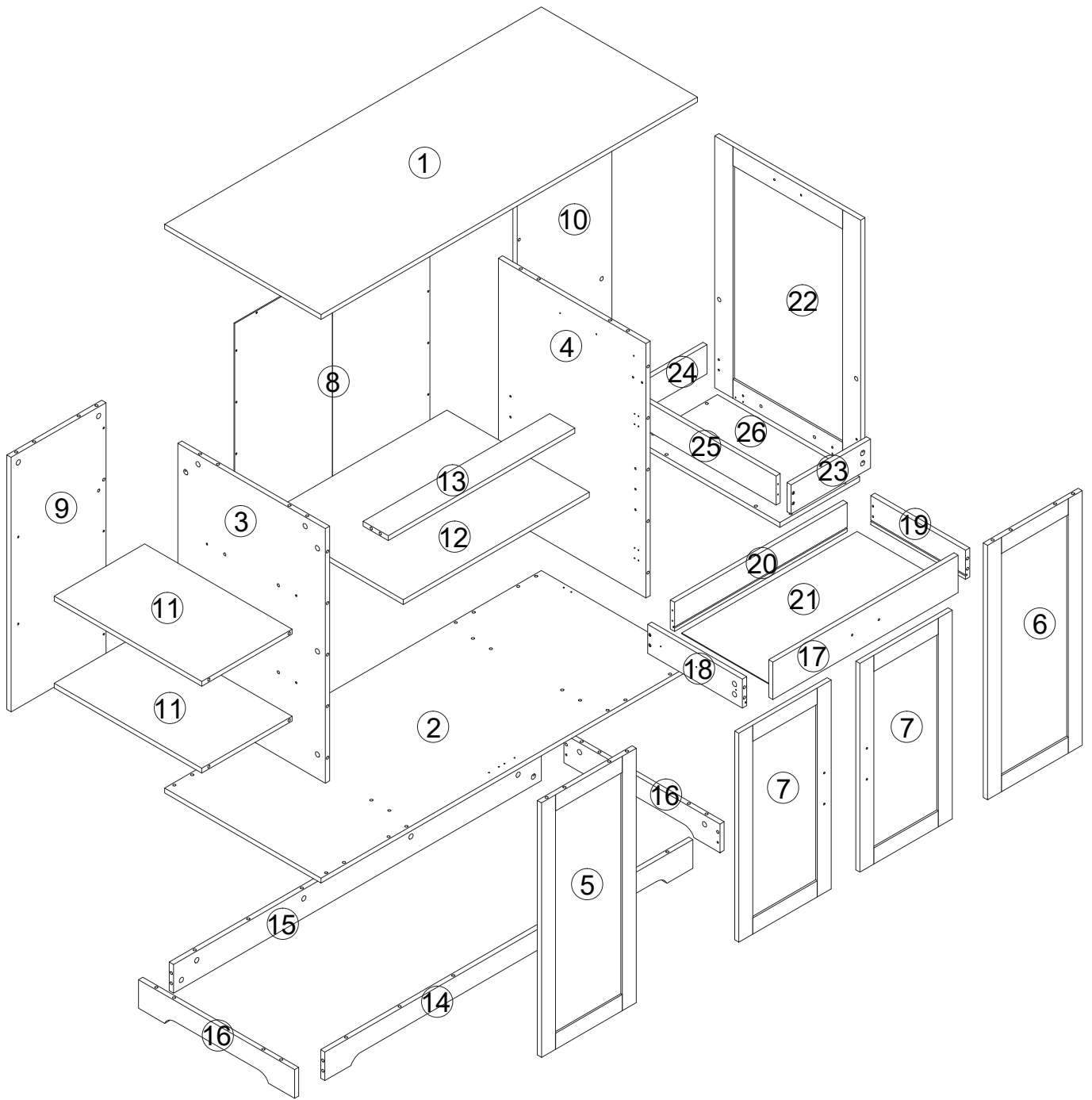


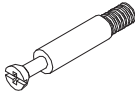



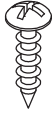
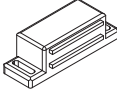
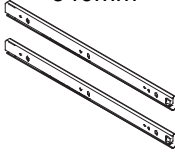


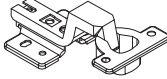
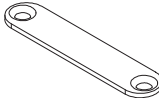
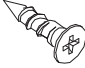
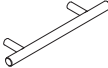

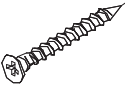
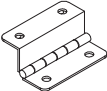


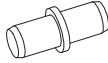
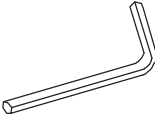
## Side Pull Single Bucket Trash Cabinet



User Manual

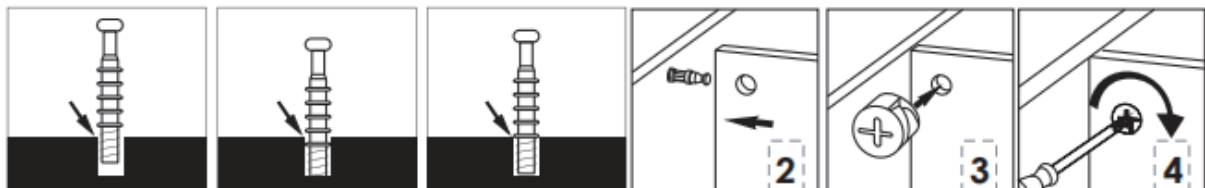
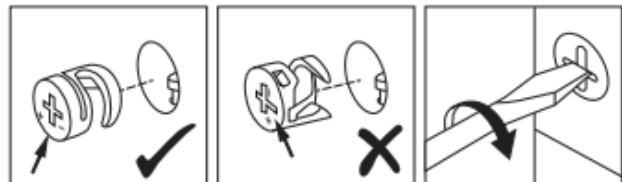
# Accessories List



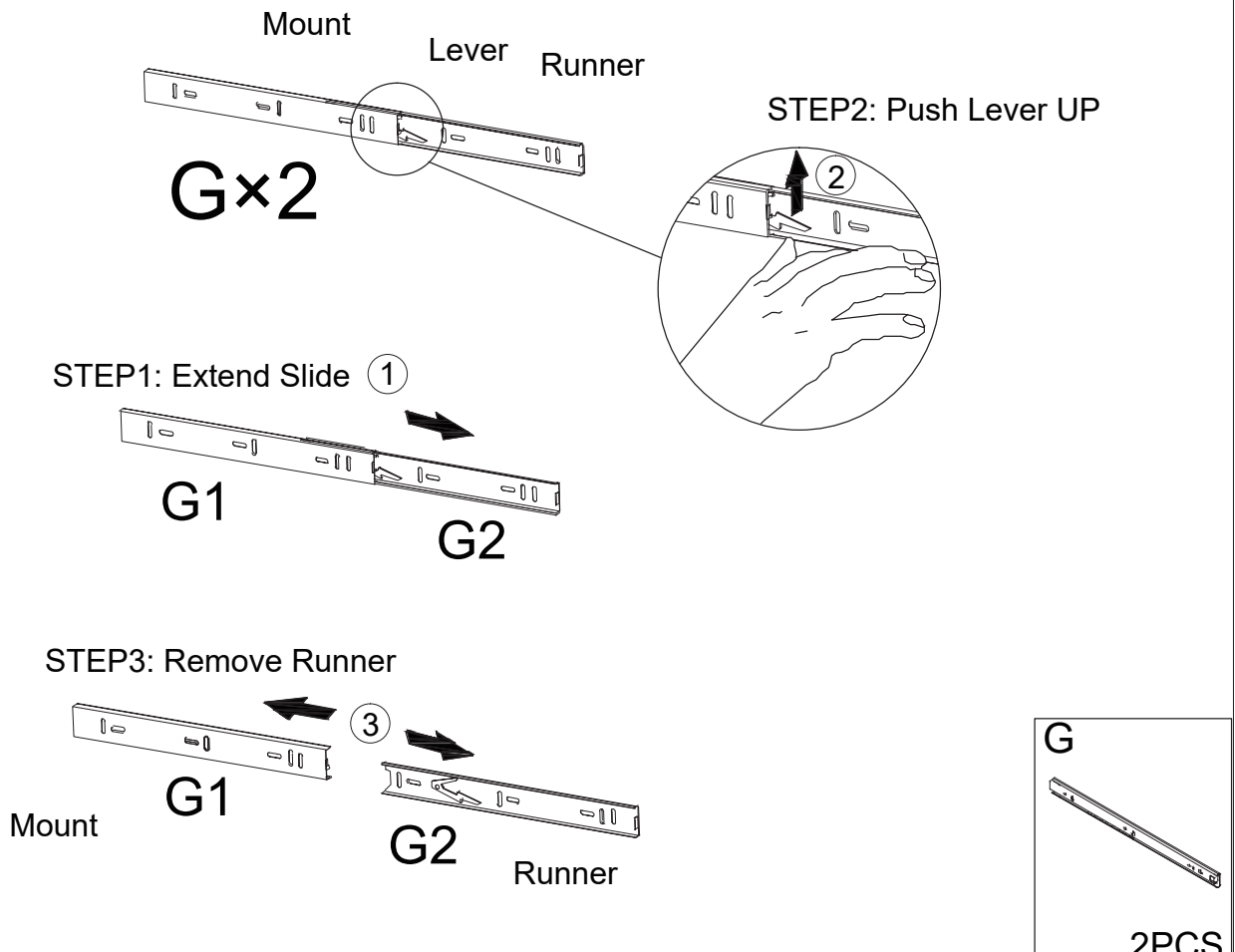
	Ø15×12mm 	Ø8×30mm 	Ø3.5×14mm 
<b>(A)</b> 66+2pcs Ø3*16	<b>(B)</b> 66+2pcs	<b>(C)</b> 50+2pcs 340mm	<b>(D)</b> 44+2pcs M7*40
			
<b>(E)</b> 10+1pcs Ø15*4	<b>(F)</b> 5pcs	<b>(G)</b> 1pc	<b>(H)</b> 18+1pcs Ø3*14
			
<b>(I)</b> 8+1pcs	<b>(J)</b> 4pcs M4*18	<b>(K)</b> 5pcs Ø4*35	<b>(L)</b> 30+2pcs
			
<b>(M)</b> 4pcs 200mm	<b>(N)</b> 8+1pcs M6*12	<b>(O)</b> 8+1pcs	<b>(P)</b> 2pcs M4
			
<b>(Q)</b> 2pcs	<b>(R)</b> 4pcs	<b>(S)</b> 4pcs	<b>(T)</b> 1pcs

## ⚠ NOTICE

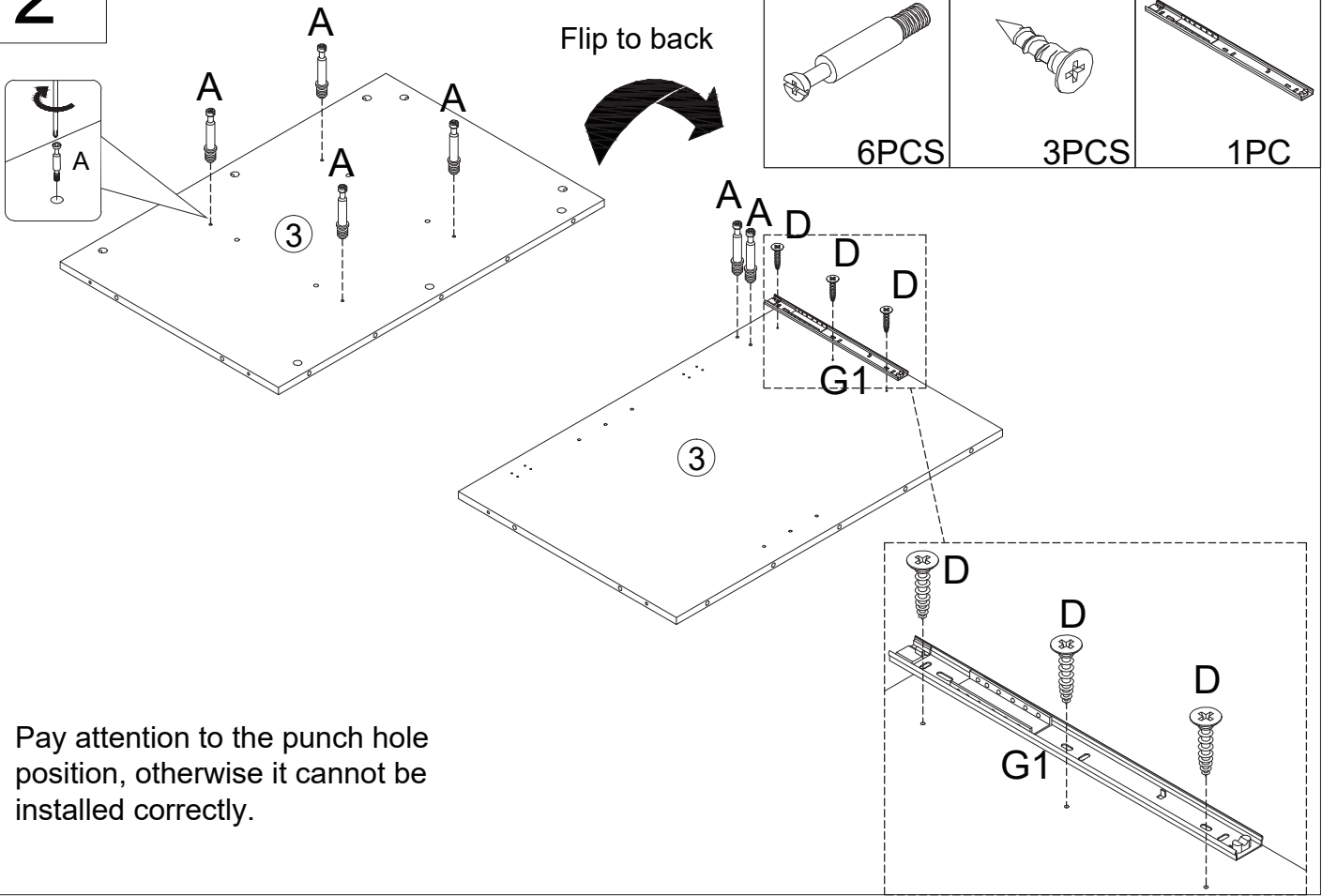
Installation method of three in one rod and buckle



1

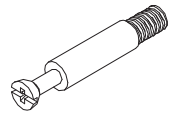
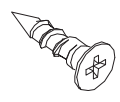
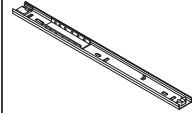


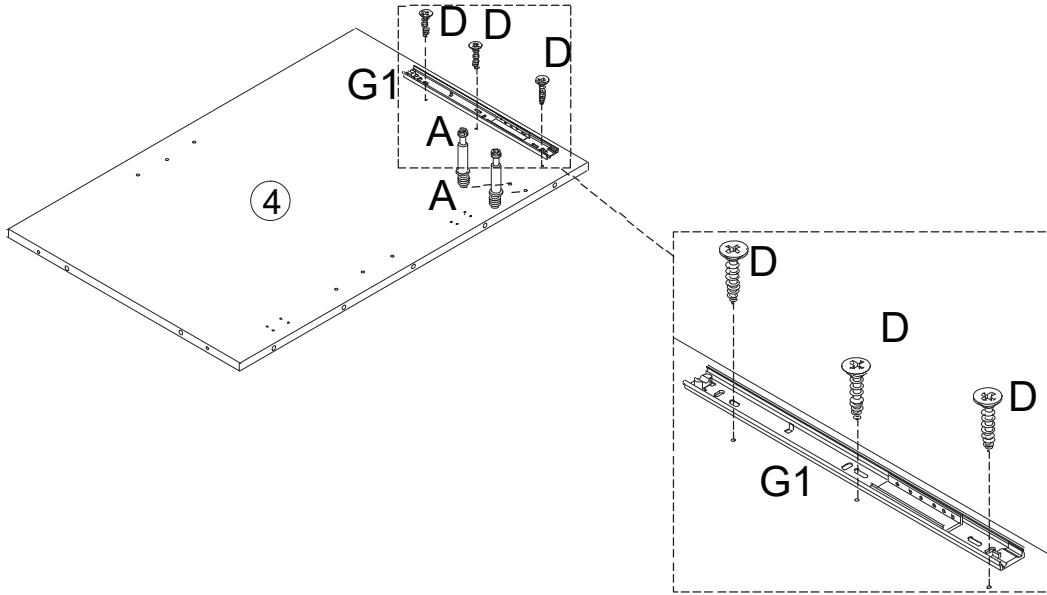
2



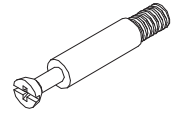
3

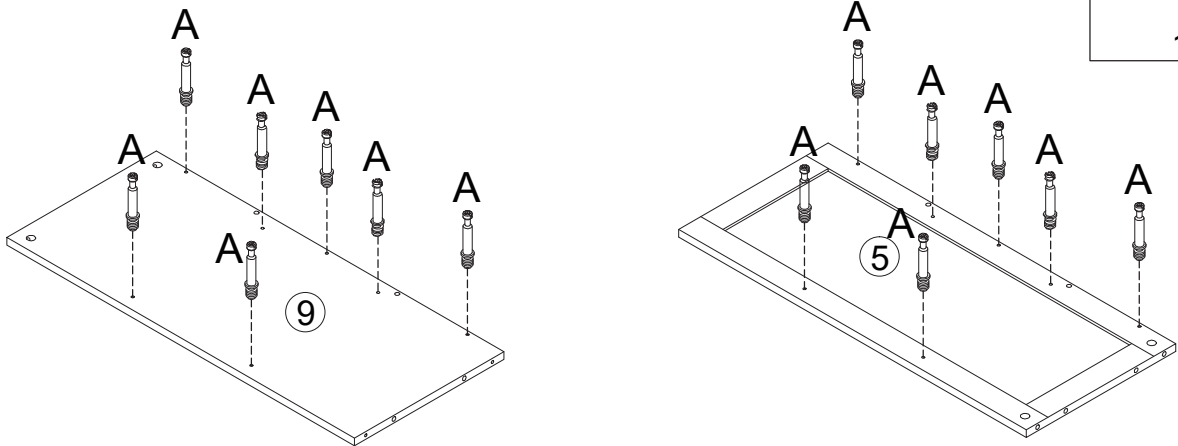
Pay attention to the punch hole position, otherwise it cannot be installed correctly.

A M6*35	D Ø3.5*14	G1
		
2PCS	3PCS	1PC



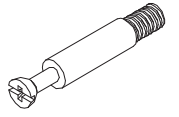
4

A M6*35

14PCS

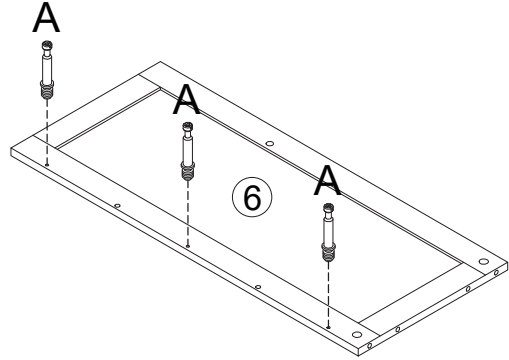
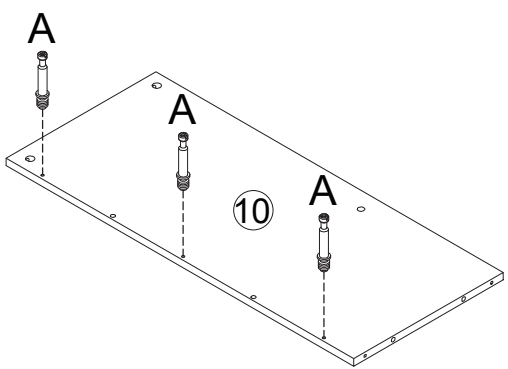


5

A M6\*35

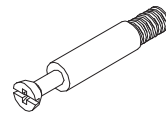


6PCS



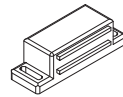
6

A M6\*35



12PCS

F

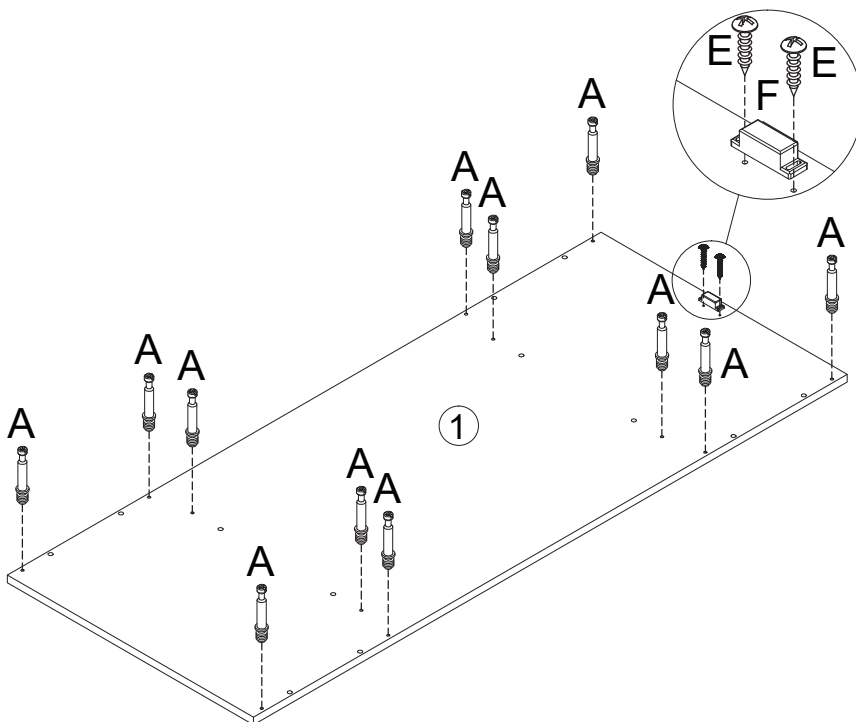


1PC

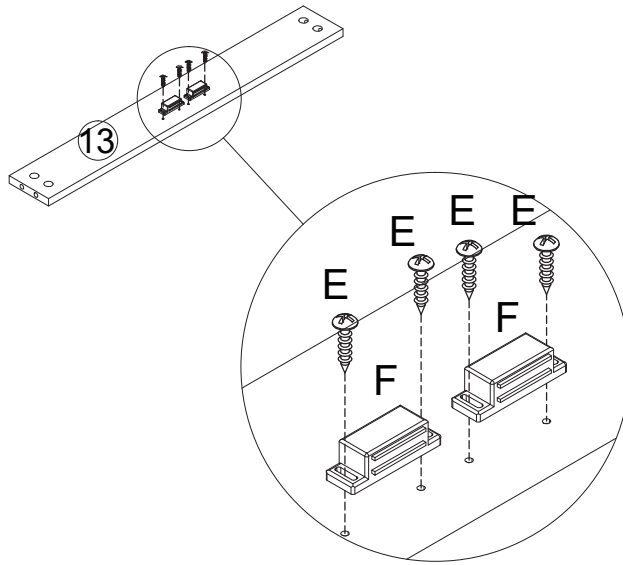
E Ø3\*16

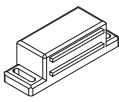



2PCS

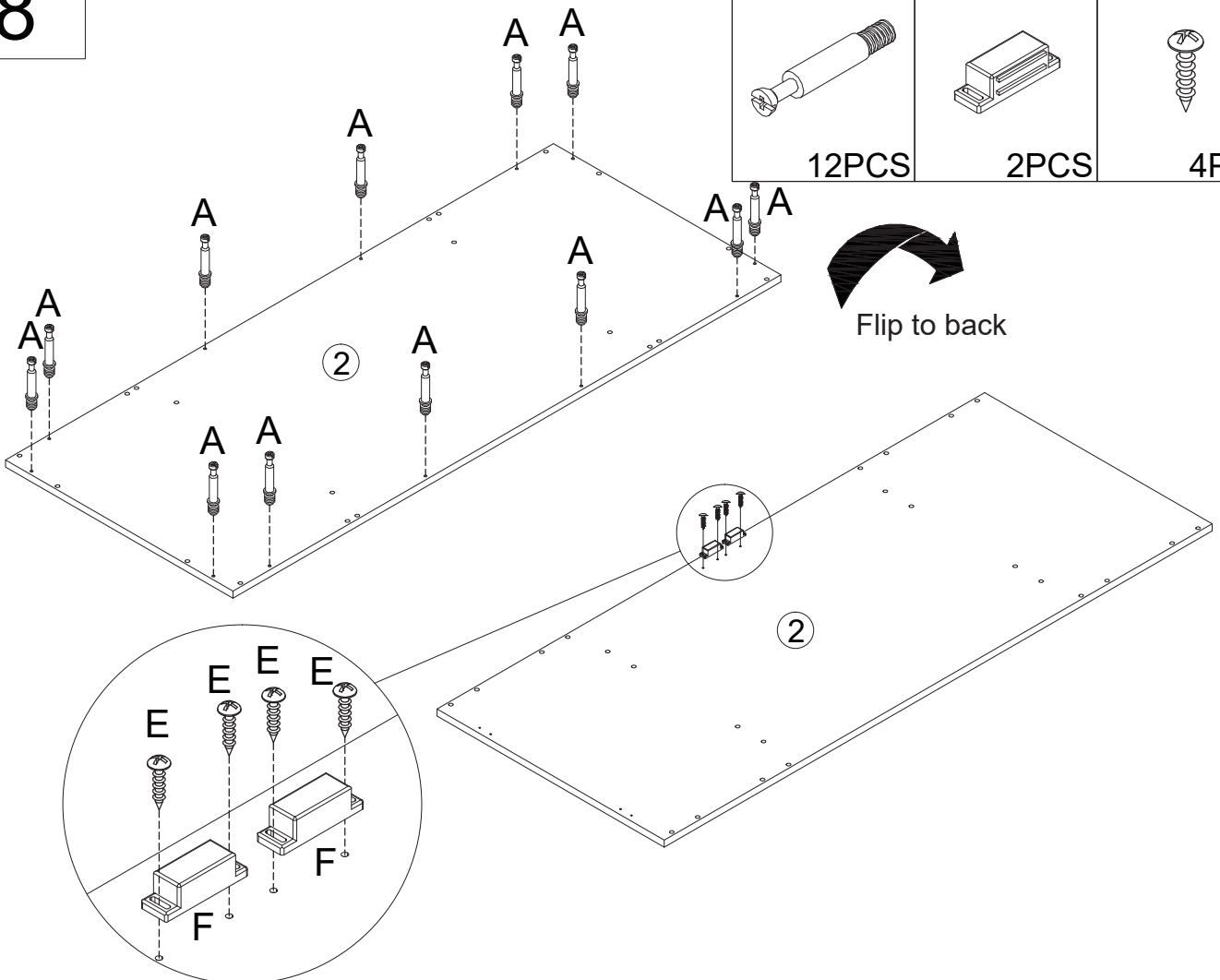


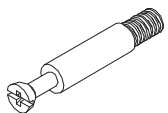
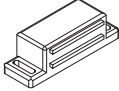

7



F	E
	
2PCS	4PCS



8

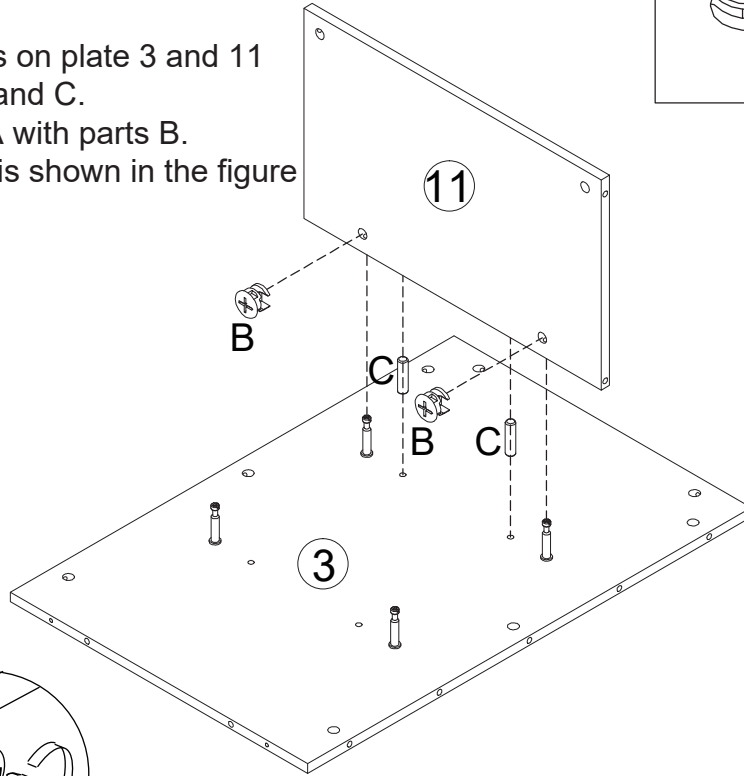
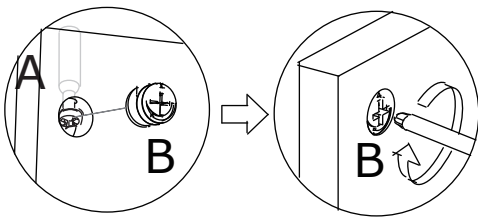


A	M6*35	F	E
			
12PCS		2PCS	4PCS



# 9

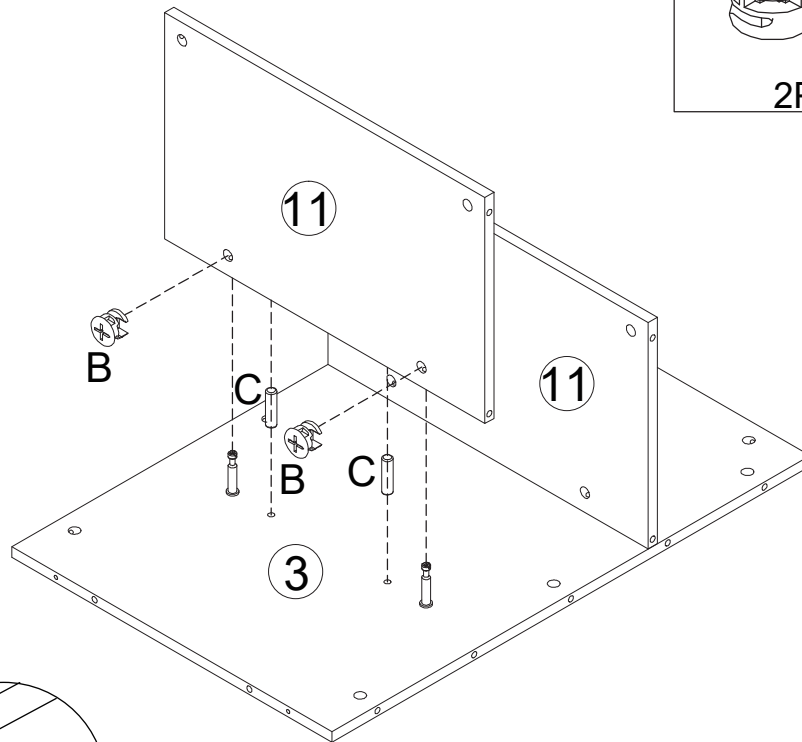
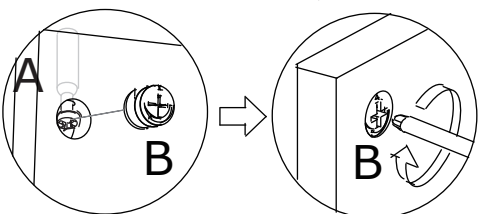
Insert C into reserved holes on plate 3 and 11  
Fix plates 3 and 11 with A and C.  
Lock three-in-one screws A with parts B.  
The orientation of plate 11 is shown in the figure

B Ø15*12	C Ø8*30
	
2PCS	2PCS





# 10

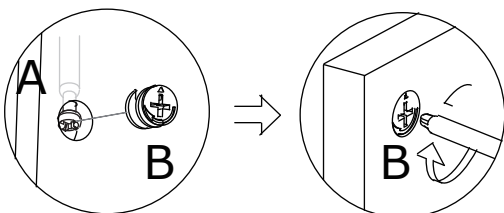
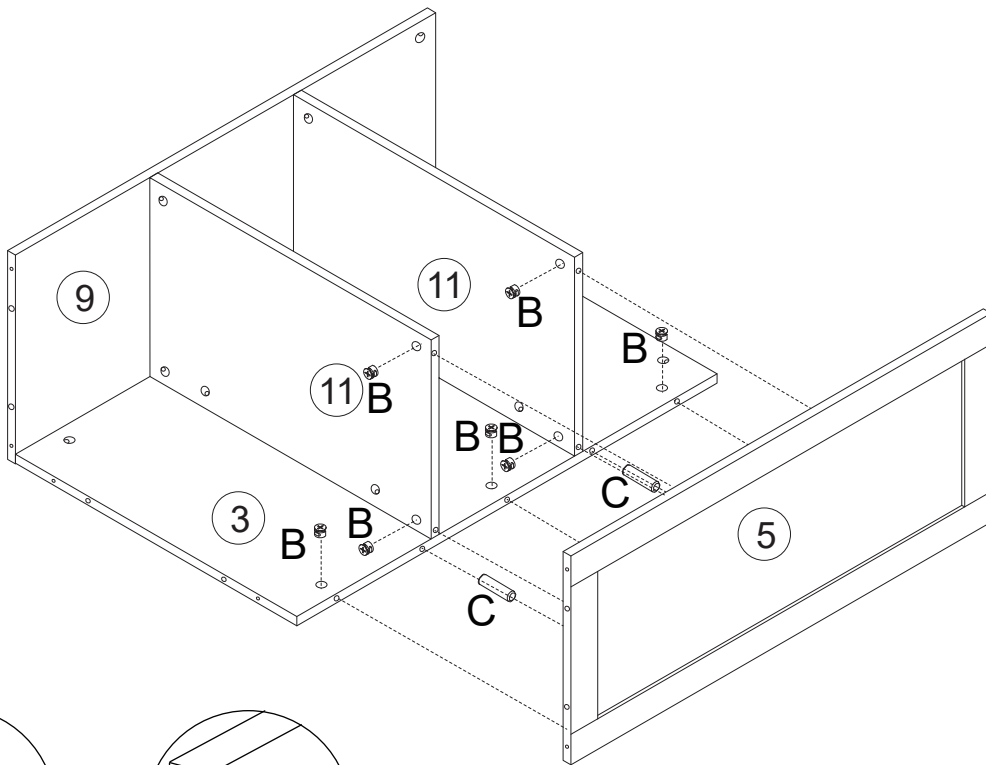
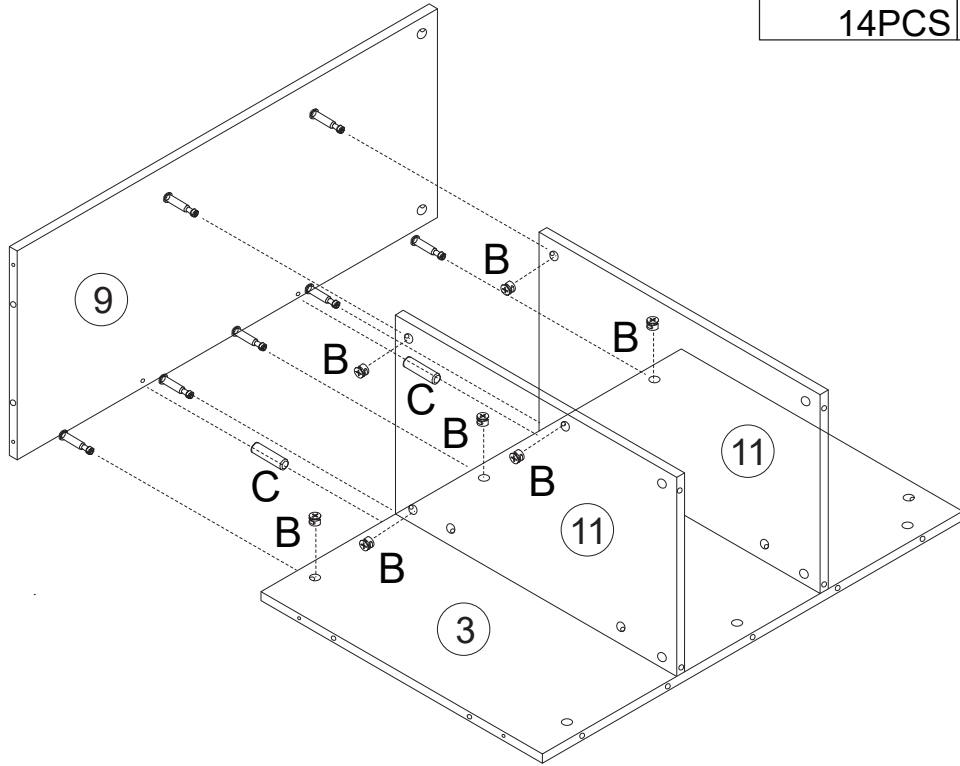
B Ø15*12	C Ø8*30
	
2PCS	2PCS



# 11

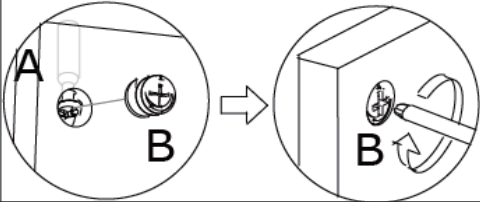
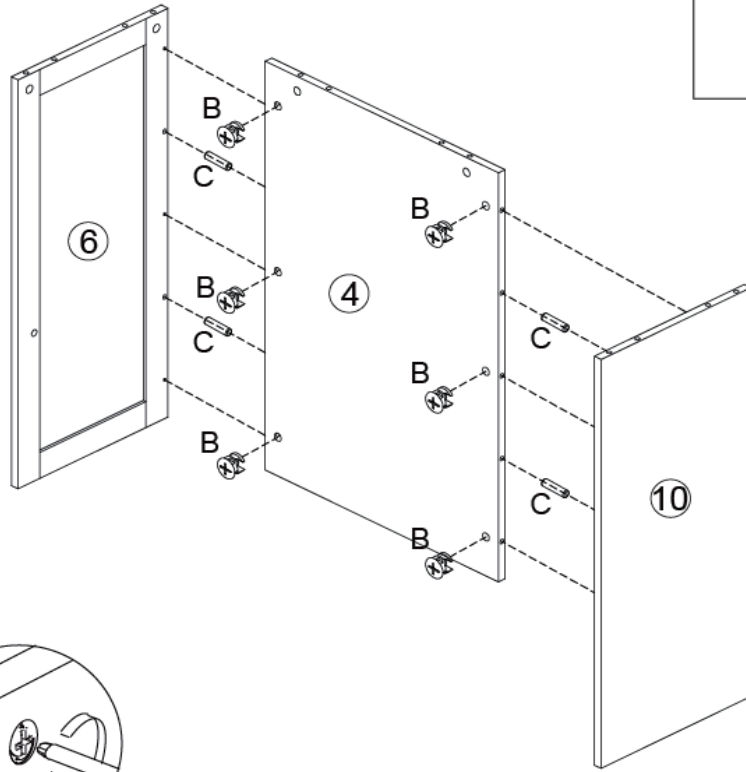
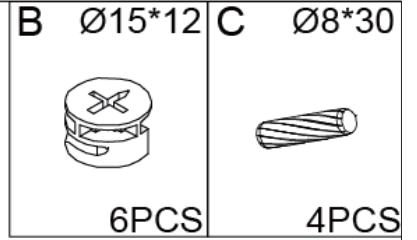
Insert C into reserved holes on plate 3 and 9  
Lock three-in-one screws A with parts B.  
The orientation of plate 9 is shown in the figure

<b>B</b> Ø15*12	<b>C</b> Ø8*30
	
14PCS	4PCS



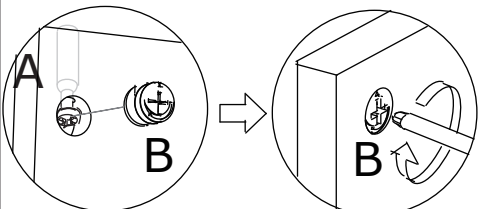
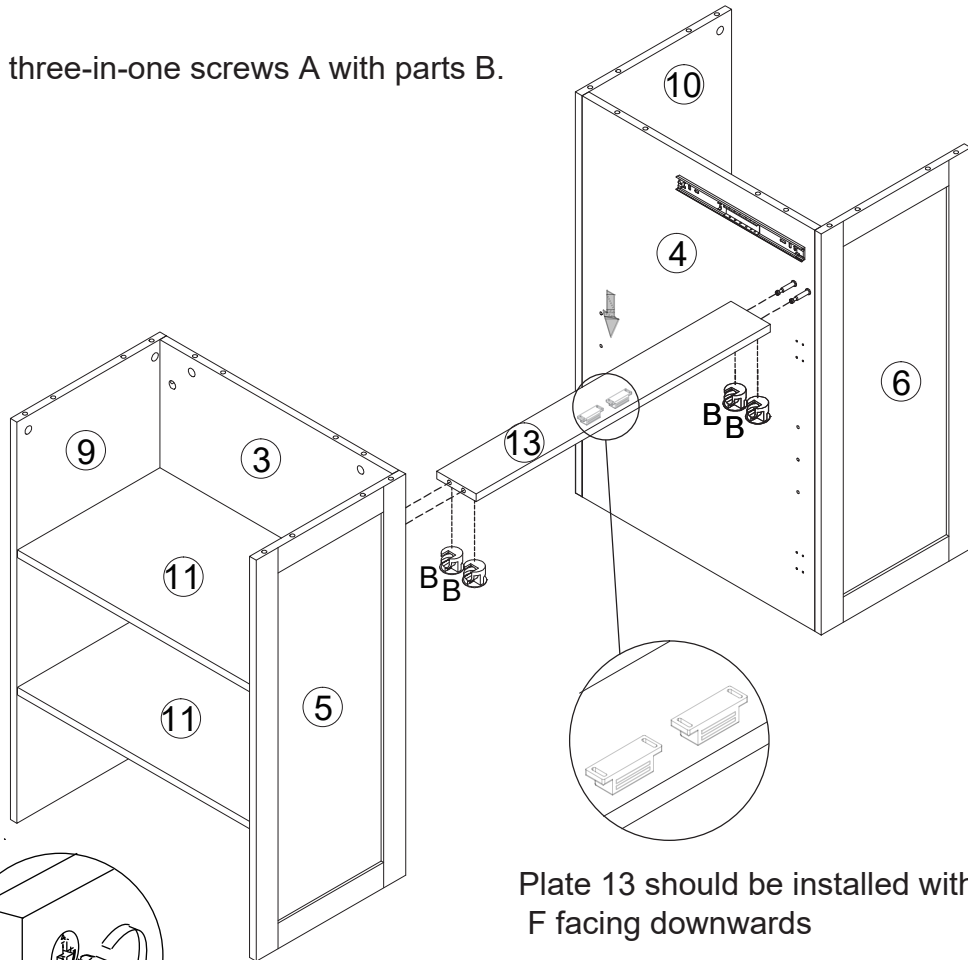
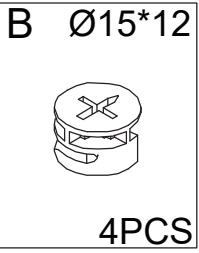
# 12

Insert C into reserved holes on plate  
Lock three-in-one screws A with parts B.  
The orientation of plate 6 and 10 is shown in the figure



# 13

Lock three-in-one screws A with parts B.



# 14

Insert C into reserved holes on plate  
Lock three-in-one screws A with parts B.

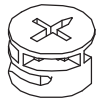

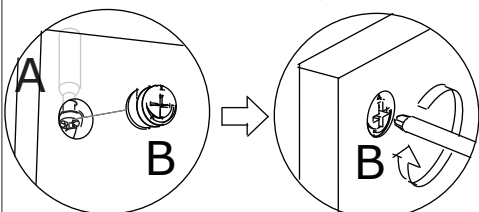
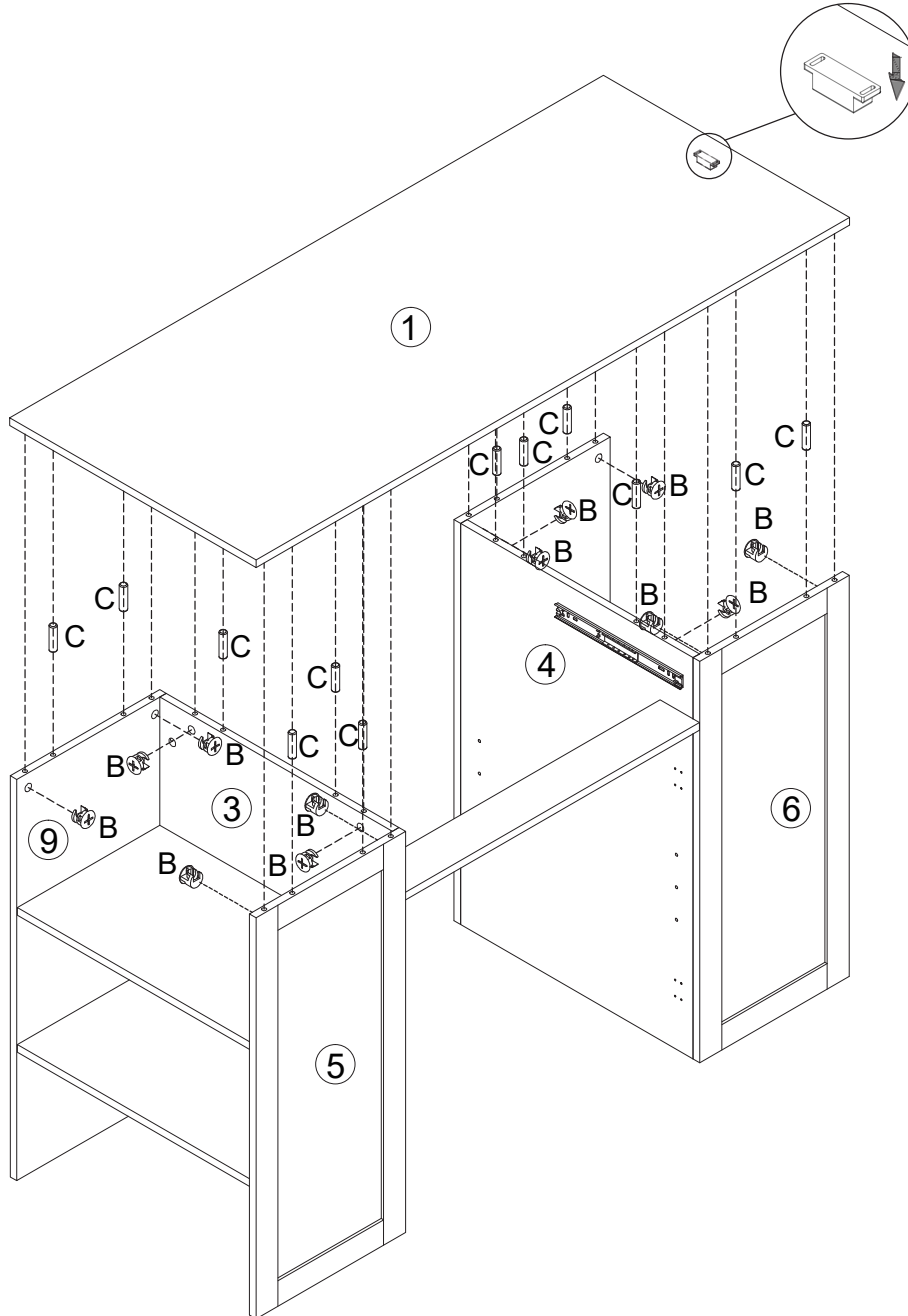
<b>B</b> Ø15*12	<b>C</b> Ø8*30
	
12PCS	12PCS

Plate 1 should be installed  
with F facing downwards



# 15

Turn the installed cabinet upside down and install the bottom plate 2



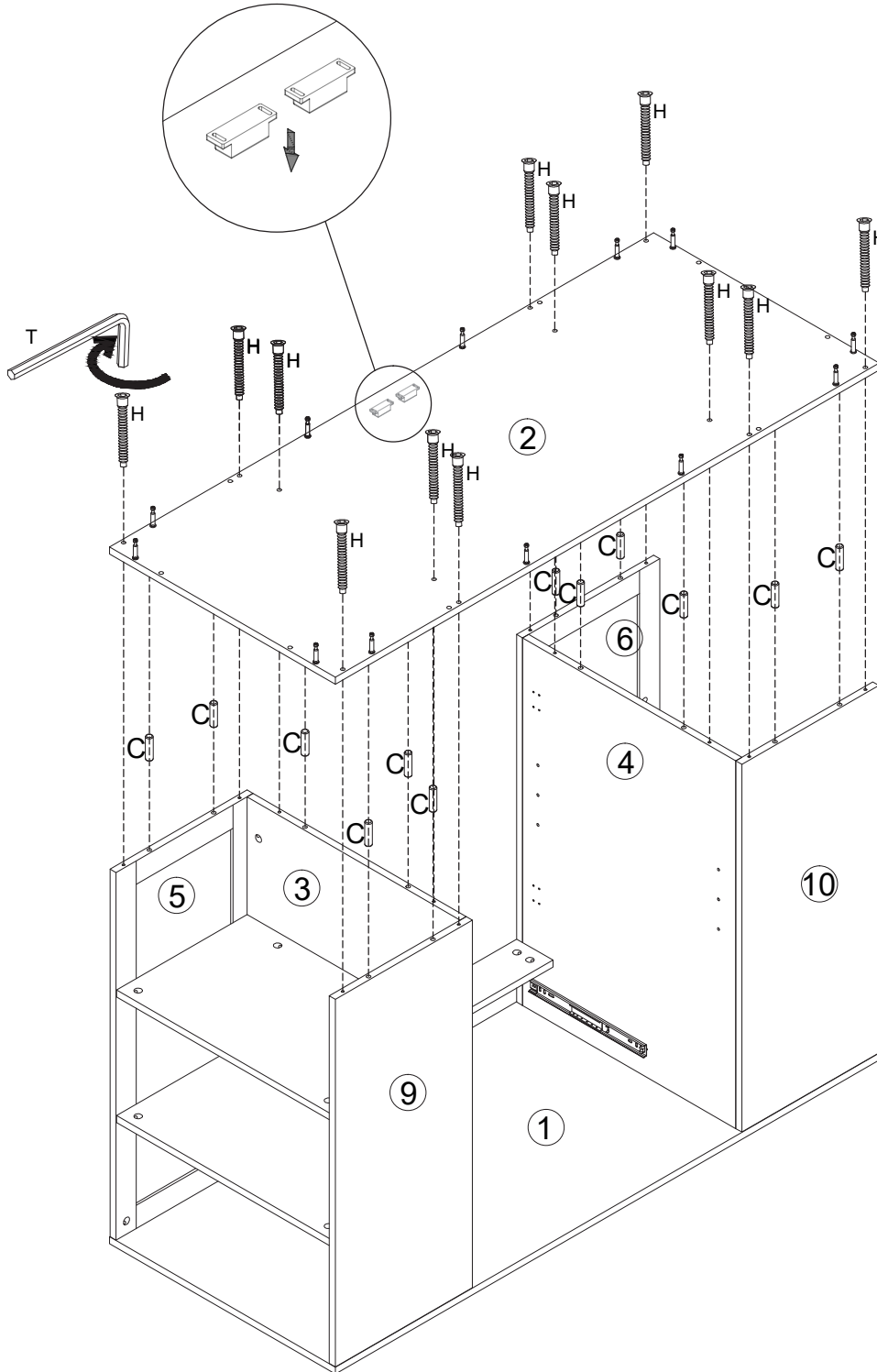
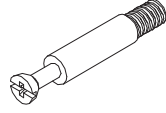


H	M7*40	C	Ø8*30
			
12PCS		12PCS	

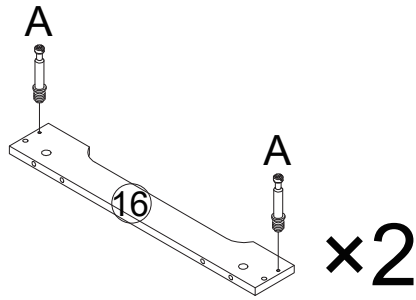
Plate 2 should be installed with F facing downwards



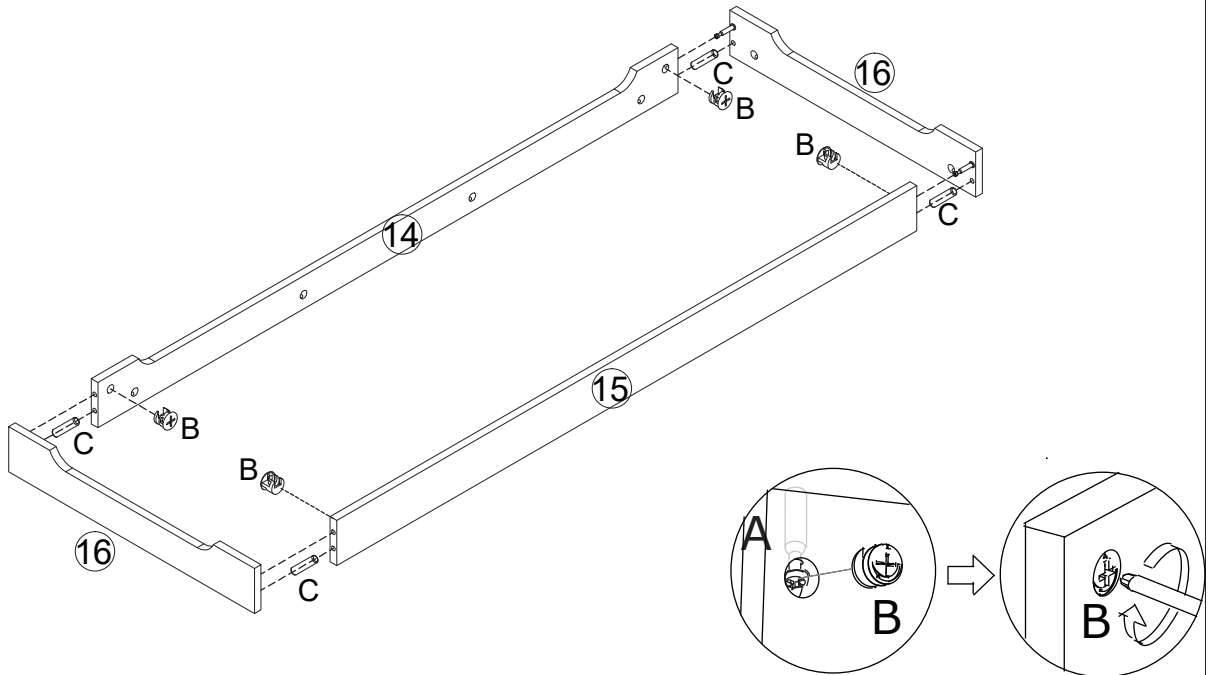
# 16

Insert C into reserved holes on plate  
Lock three-in-one screws A with parts B.

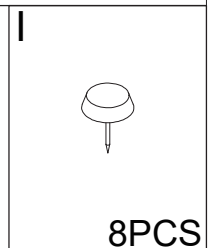
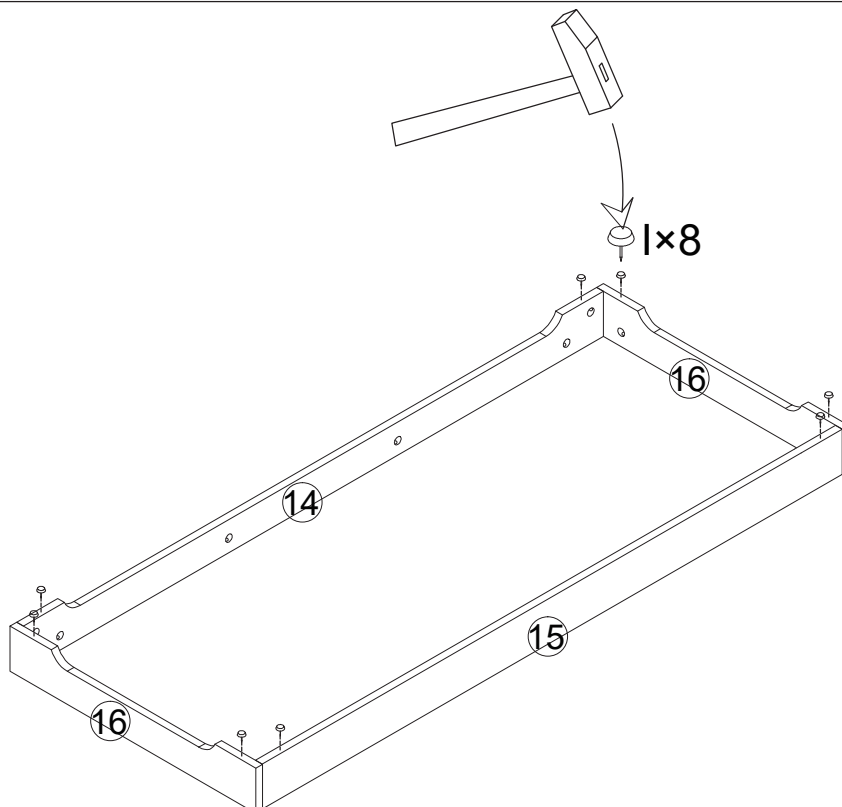
<b>A</b> M6*35	<b>B</b> Ø15*12	<b>C</b> Ø8*30
		
4PCS	4PCS	4PCS



Note that plates 14 and 16 should be oriented as shown in the figure, otherwise the installation will fail.

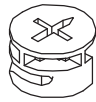



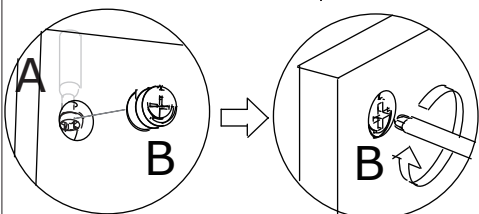
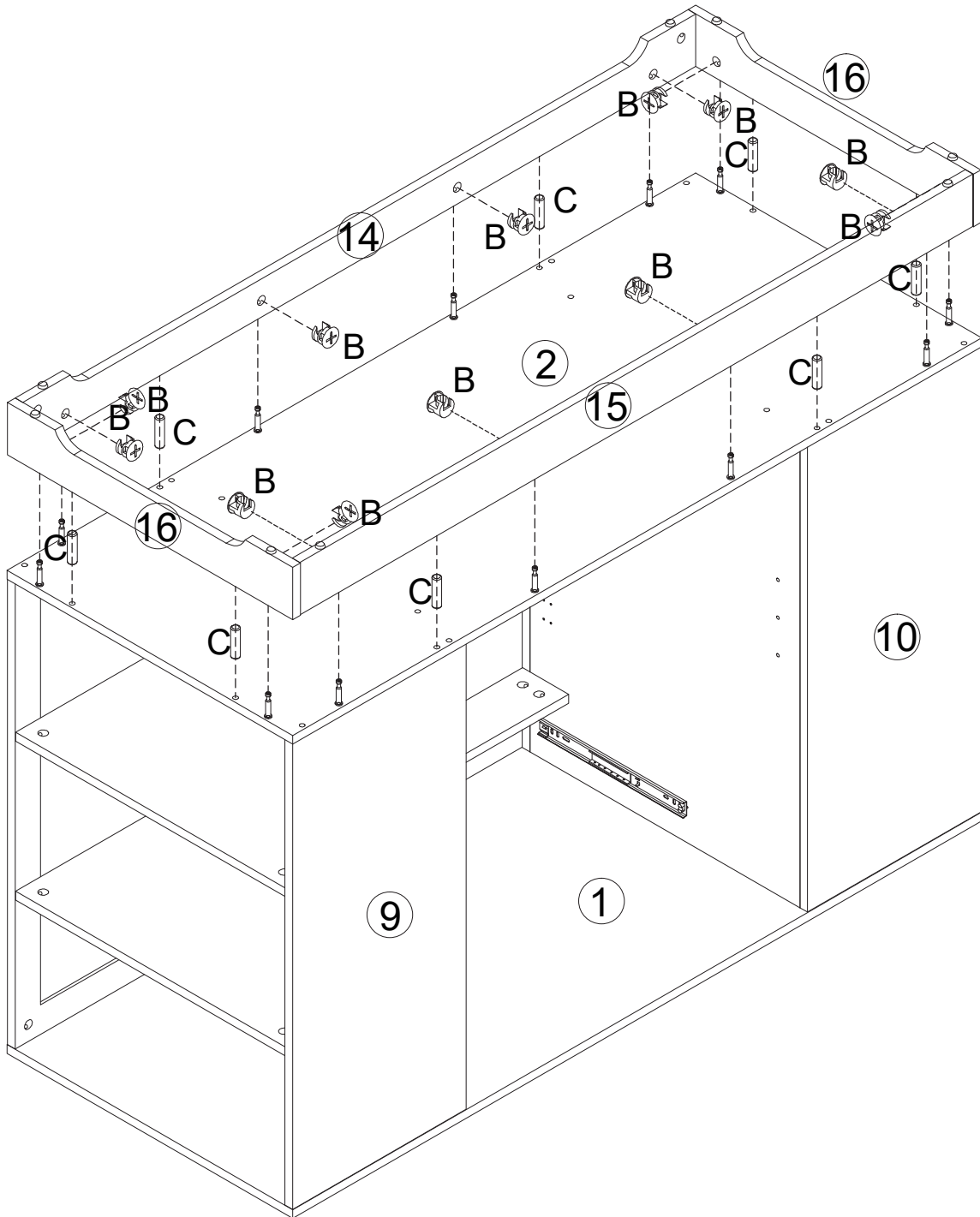
# 17



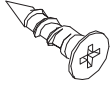
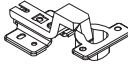
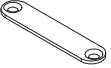


# 18

Insert C into reserved holes on plate  
Lock three-in-one screws A with parts B.

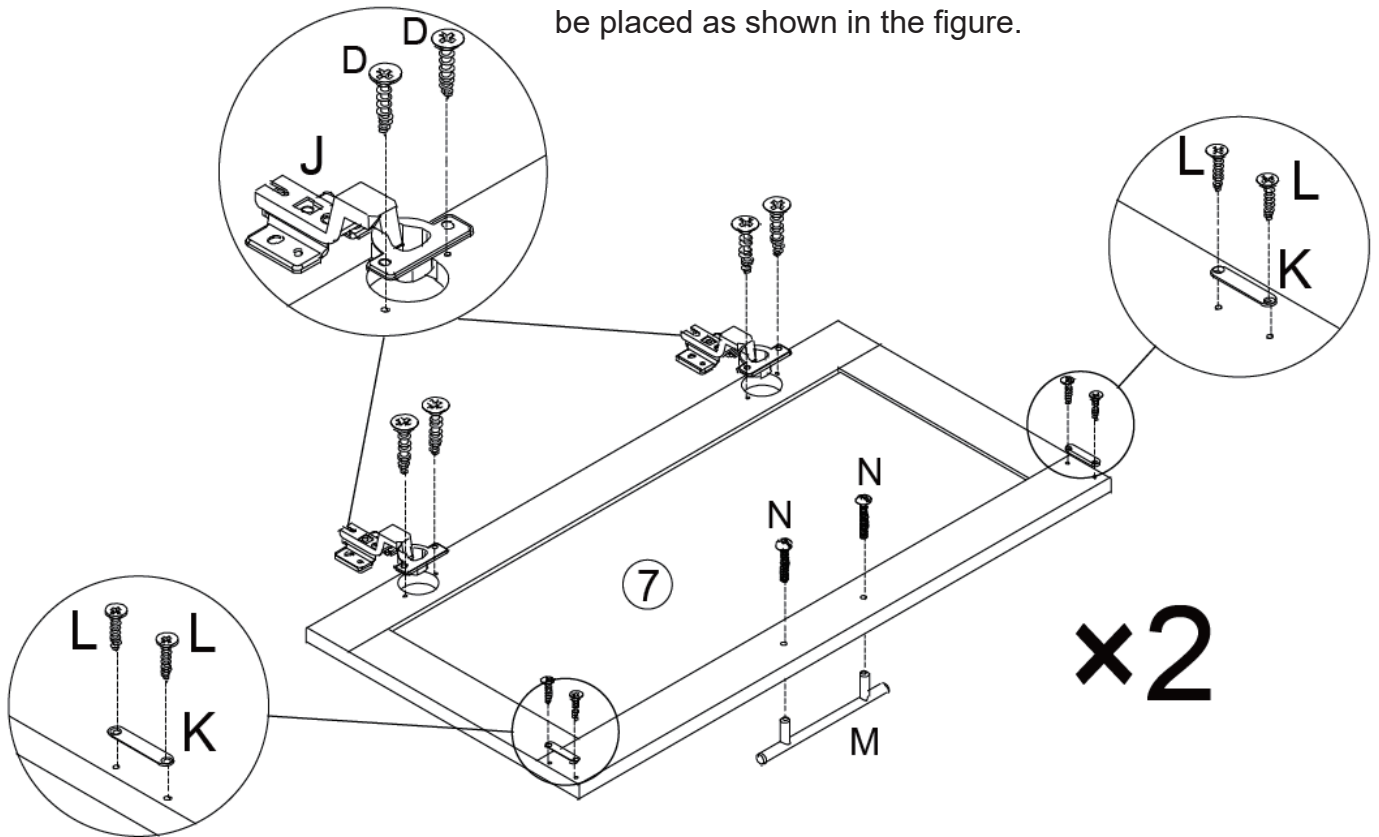
B Ø15*12	C Ø8*30
	
12PCS	8PCS



19

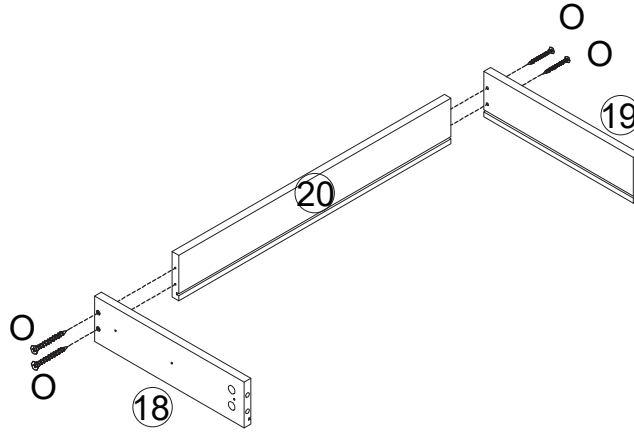
D	Ø3.5*14	J	K	L	Ø3*14	M	N	M4*18			
											
8PCS		4PCS		4PCS		8PCS		2PCS		4PCS	

Note that the directions of J and M should be placed as shown in the figure.

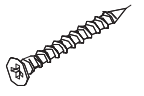


# 20

Note that the slots on plates 18, 19, and 20 are in the same direction.



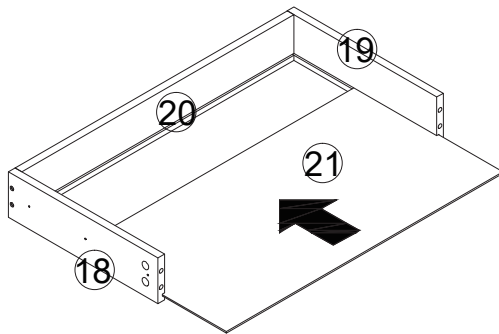
O  $\varnothing 4 \times 35$



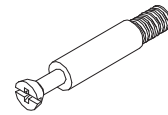
4PCS

# 21

Slot is below and facing towards. Insert board 21 along the slot.

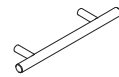


A M6\*35



4PCS

M



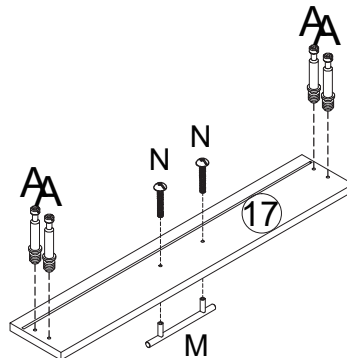
1PC

N

M4\*18

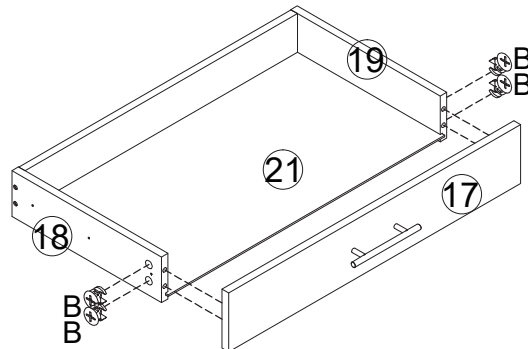


2PCS

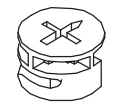


# 22

Lock three-in-one screws A with parts B.

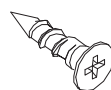
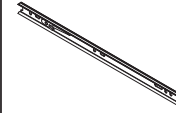


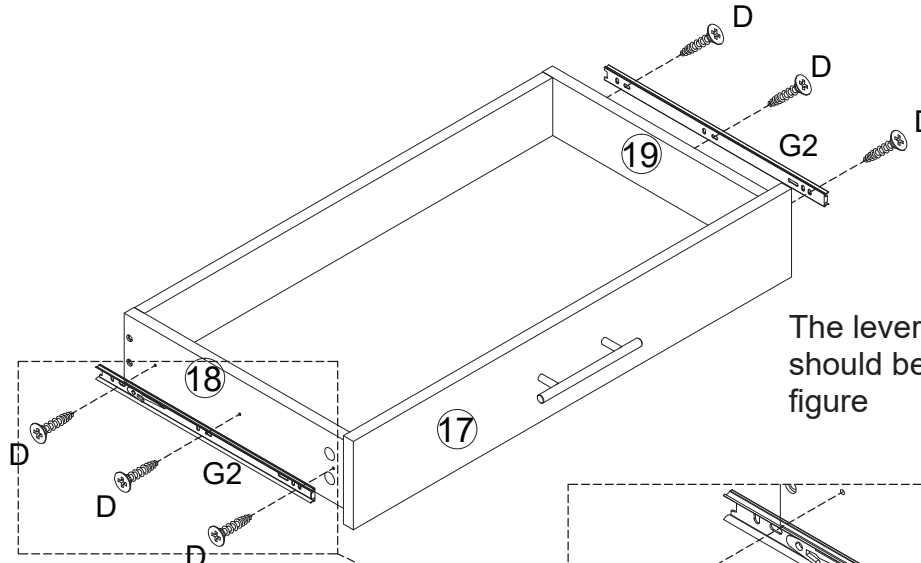
B  $\varnothing 15 \times 12$



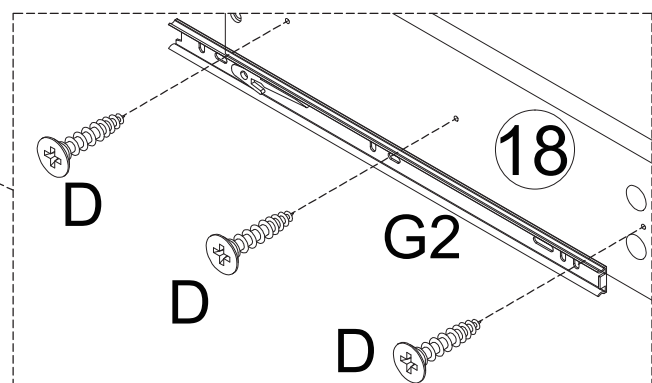
4PCS

23

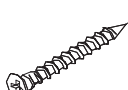
D	Ø3.5*14	G2
		
6PCS		1PC

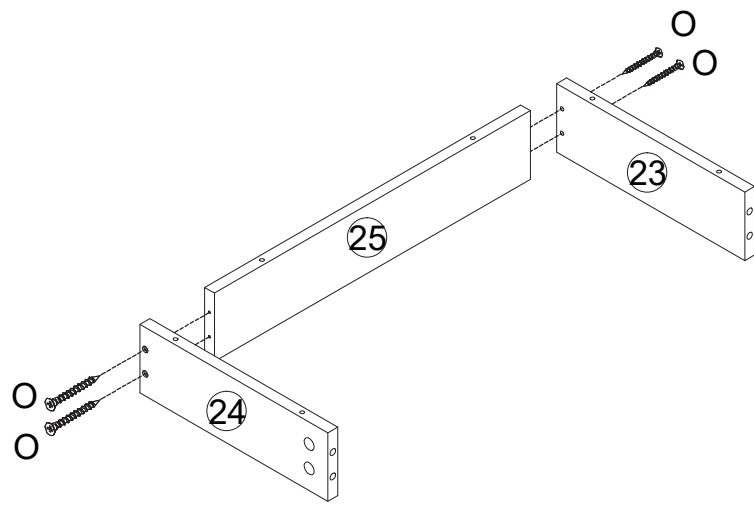


The lever direction of G2 should be as shown in the figure

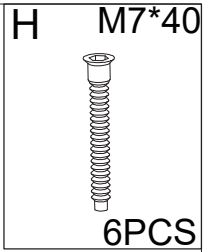
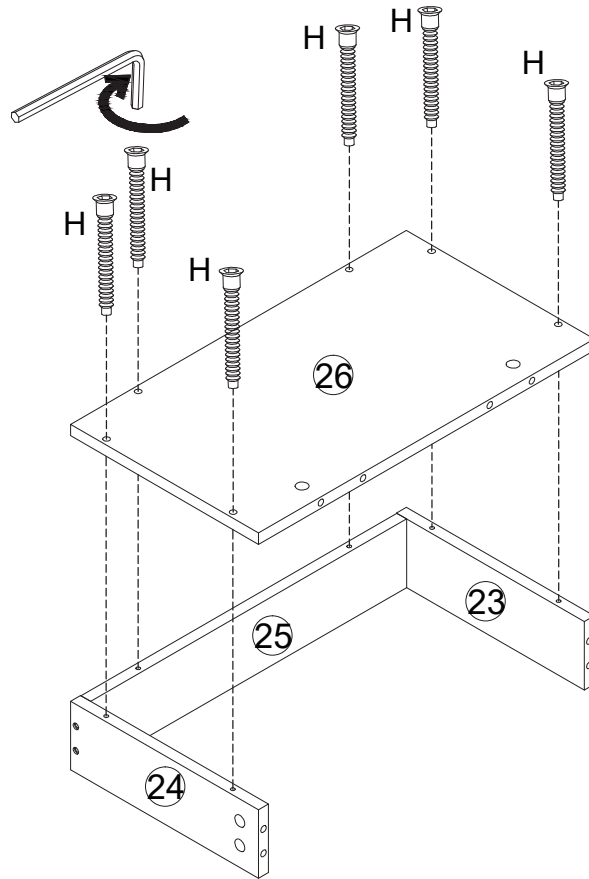


24

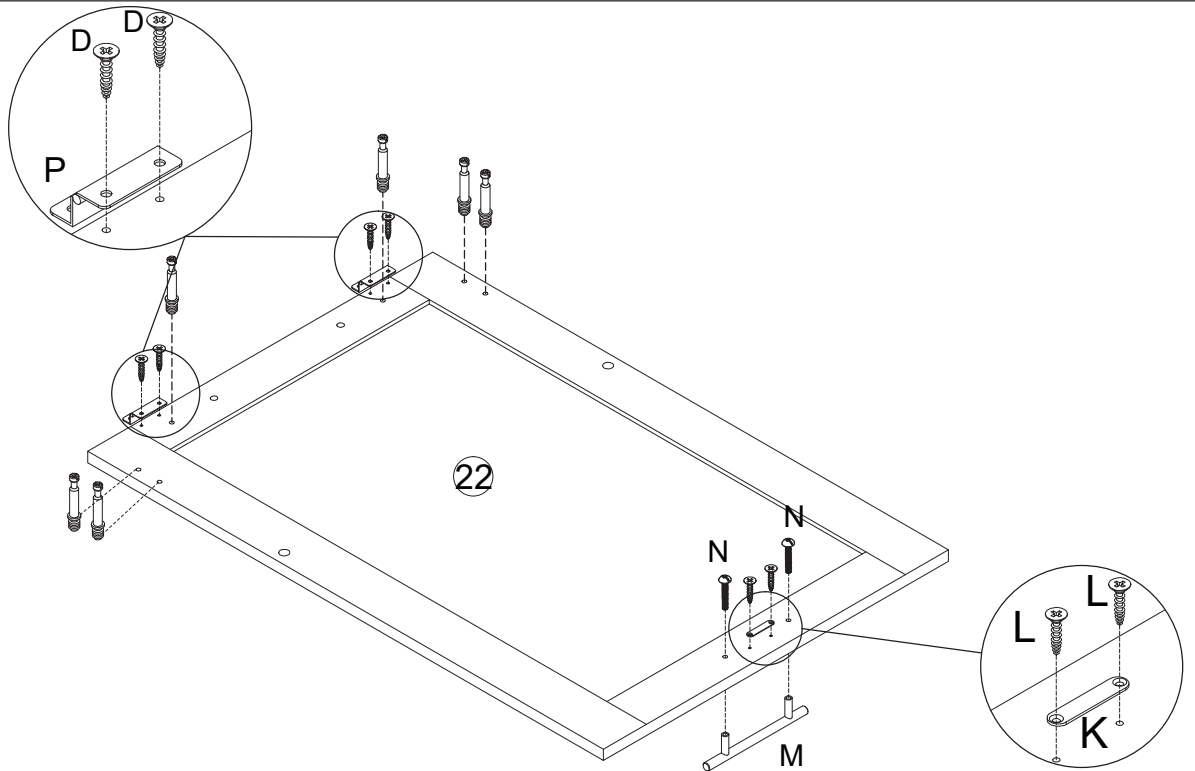
O	Ø4*35
	
4PCS	

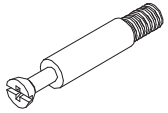
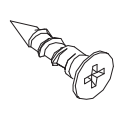
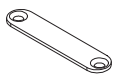
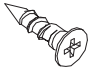
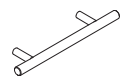

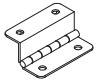


# 25



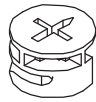

# 26

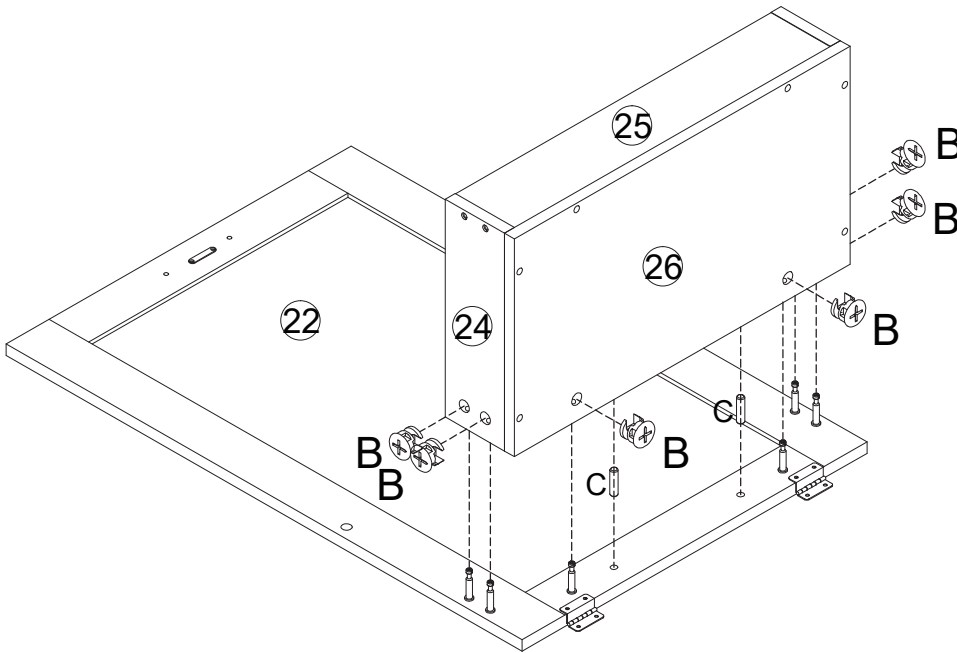


A	M6*35	D	Ø3.5*14	K	L	Ø3*14	M	N	M4*18	P
										
6PCS		4PCS		1PC	2PCS		1PC	2PCS		2PCS

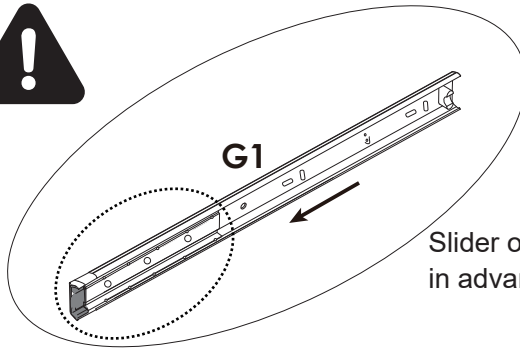
# 27

Insert C into reserved holes on plate  
Lock three-in-one screws A with parts B.

<b>B</b> Ø15*12	<b>C</b> Ø8*30
	
<b>6PCS</b>	<b>2PCS</b>



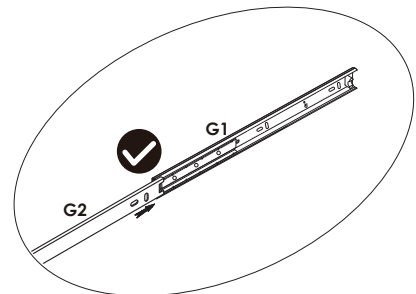
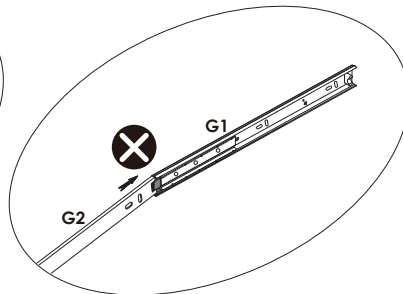
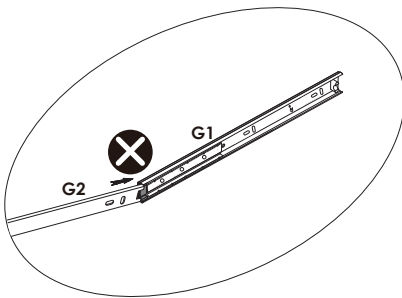
# 28



Slider on G1 needs to be slid to the front of G1 in advance. (the side closest to you)

Wrong: G1 and G2 are not be horizontally placed and pushed

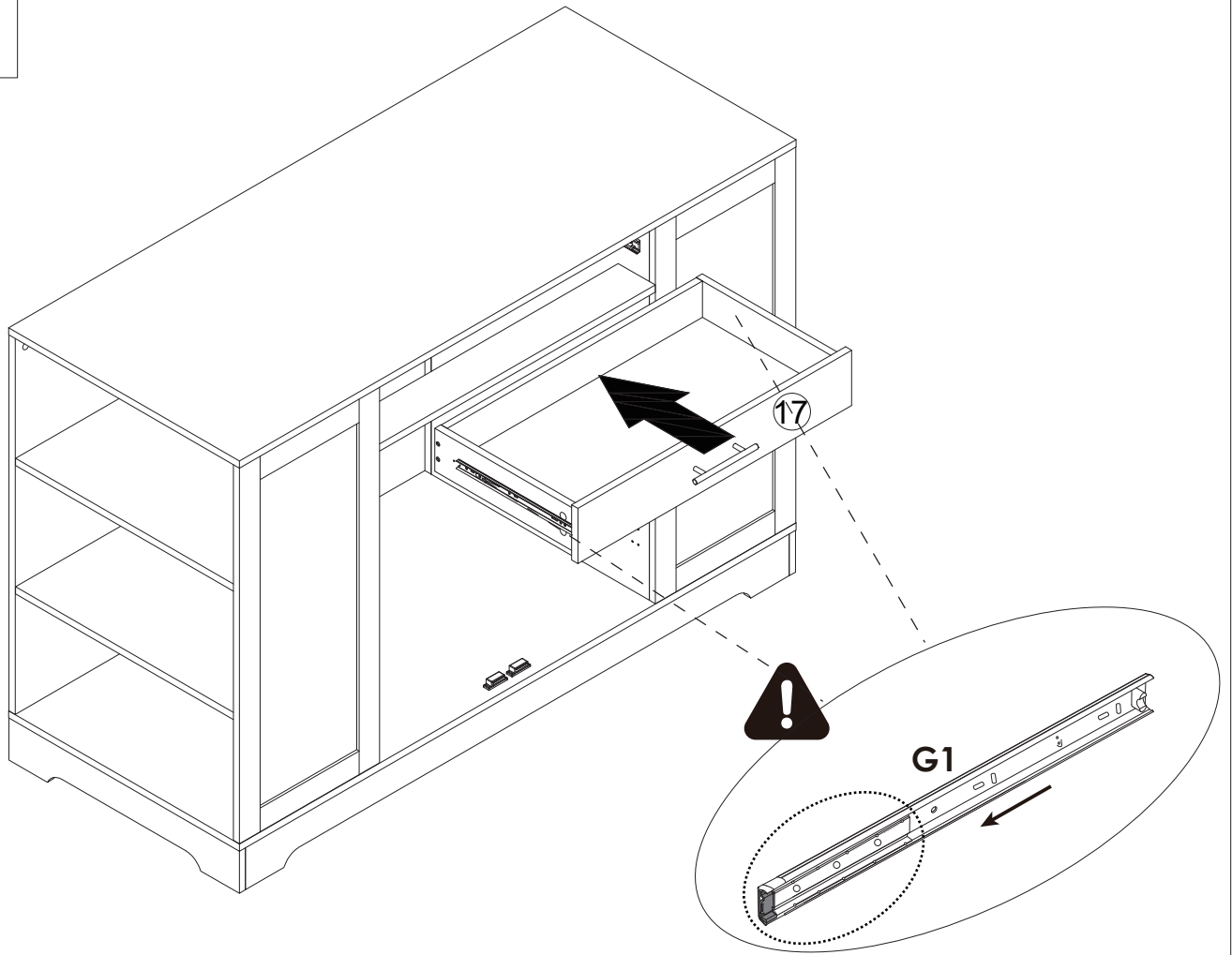
Right: Push G1 and G2 horizontally until you hear a "click"



1. Drawers must be horizontally put into the cabinet.
  2. Make sure both side sliders match well to avoid damage.
- Wrong: G1 and G2 are not be horizontally placed and pushed.

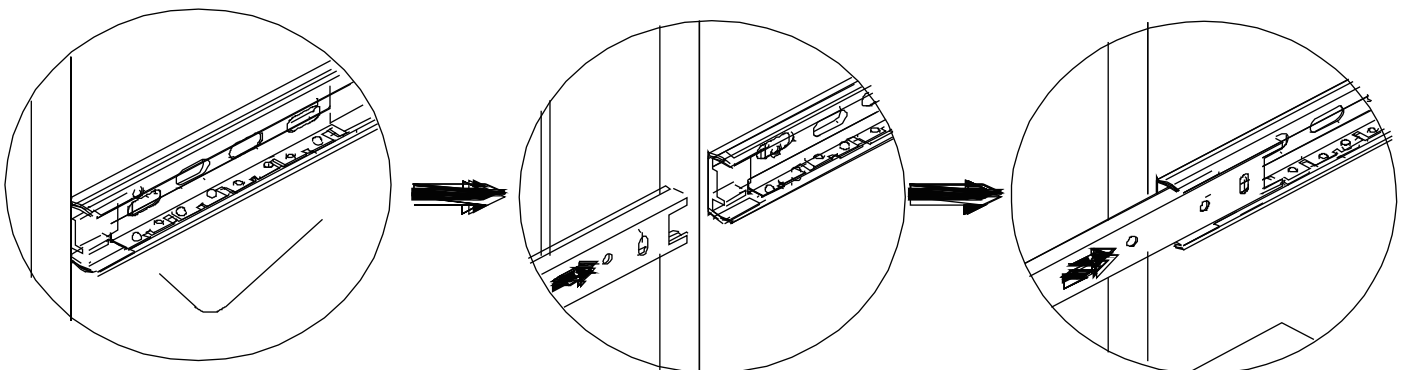
Right: Push G1 and G2 horizontally until you hear a "click".

29



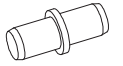
NOTE: If drawer cannot be installed smoothly, please use your fingers to press long plastic picks on G2 on both sides of drawer to completely remove drawer. Then check whether the sliders on G1 have been pre-slided to front end. Keep it level and slide drawer back in until you hear a "click".

NOTE: Please do not push or pull violently to avoid damaging the slide rails and drawer.



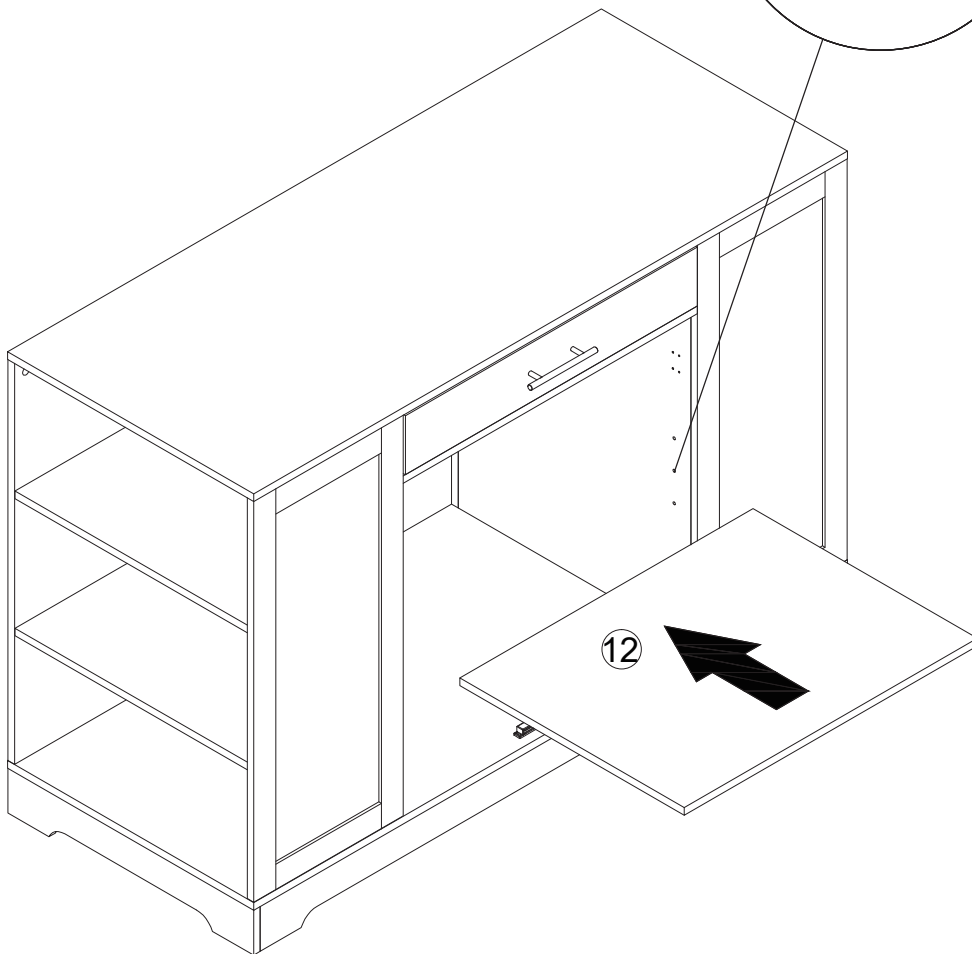
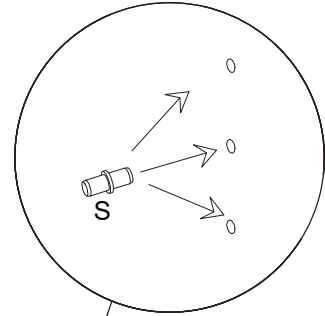
30

S



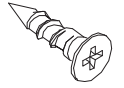
4PCS

Three-level adjustment, please make sure all four S are fixed in the same gear

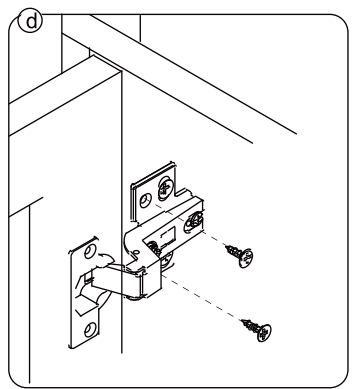
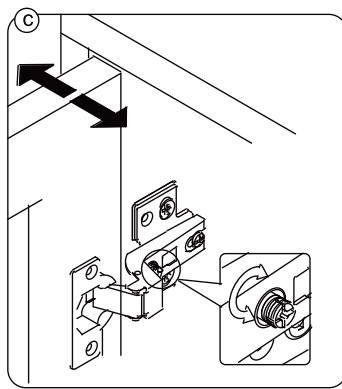
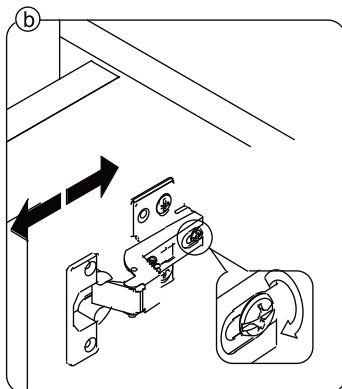
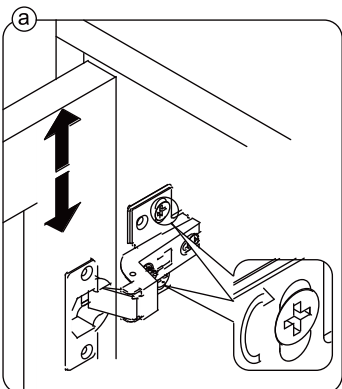
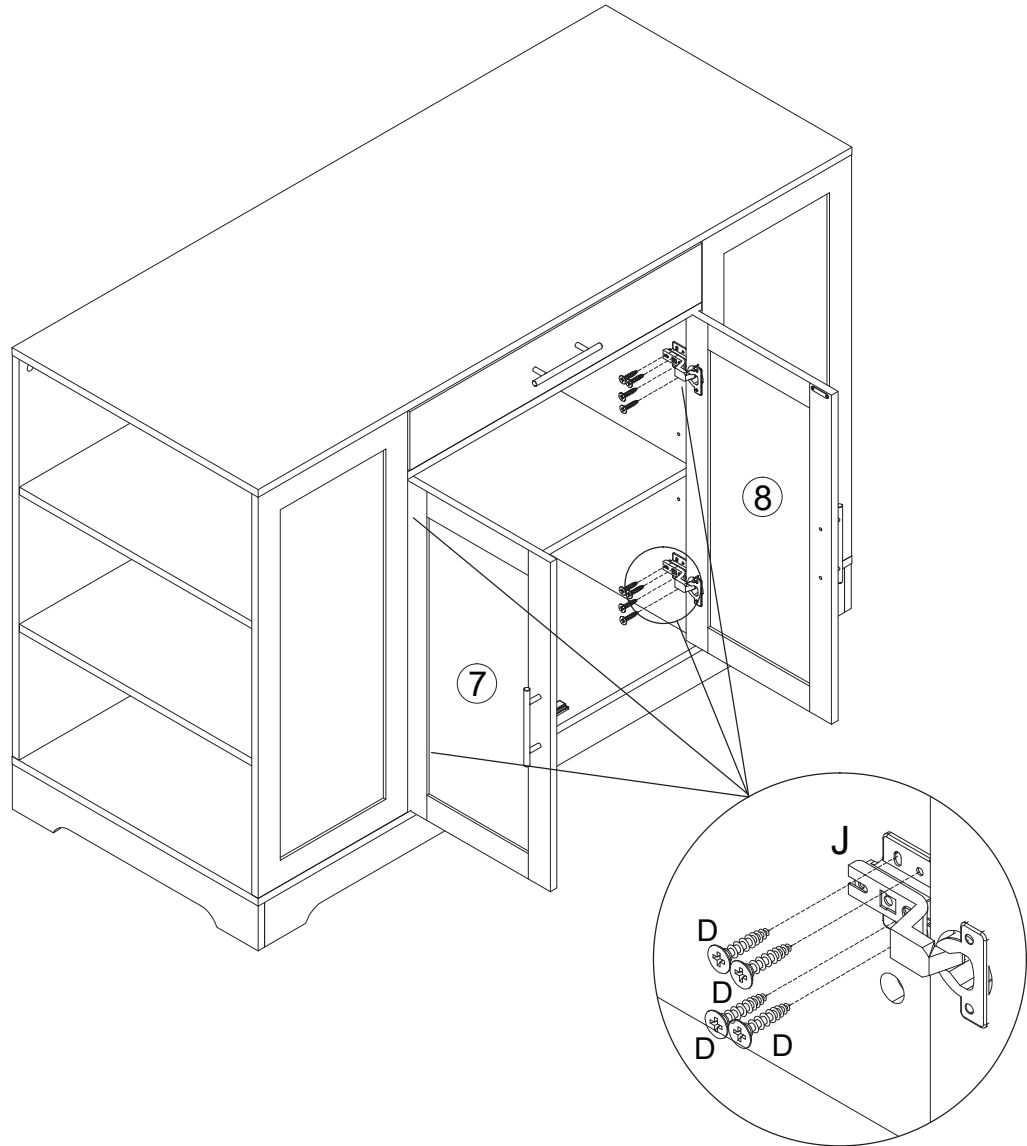


31

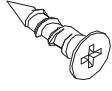

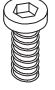
D Ø3.5\*14

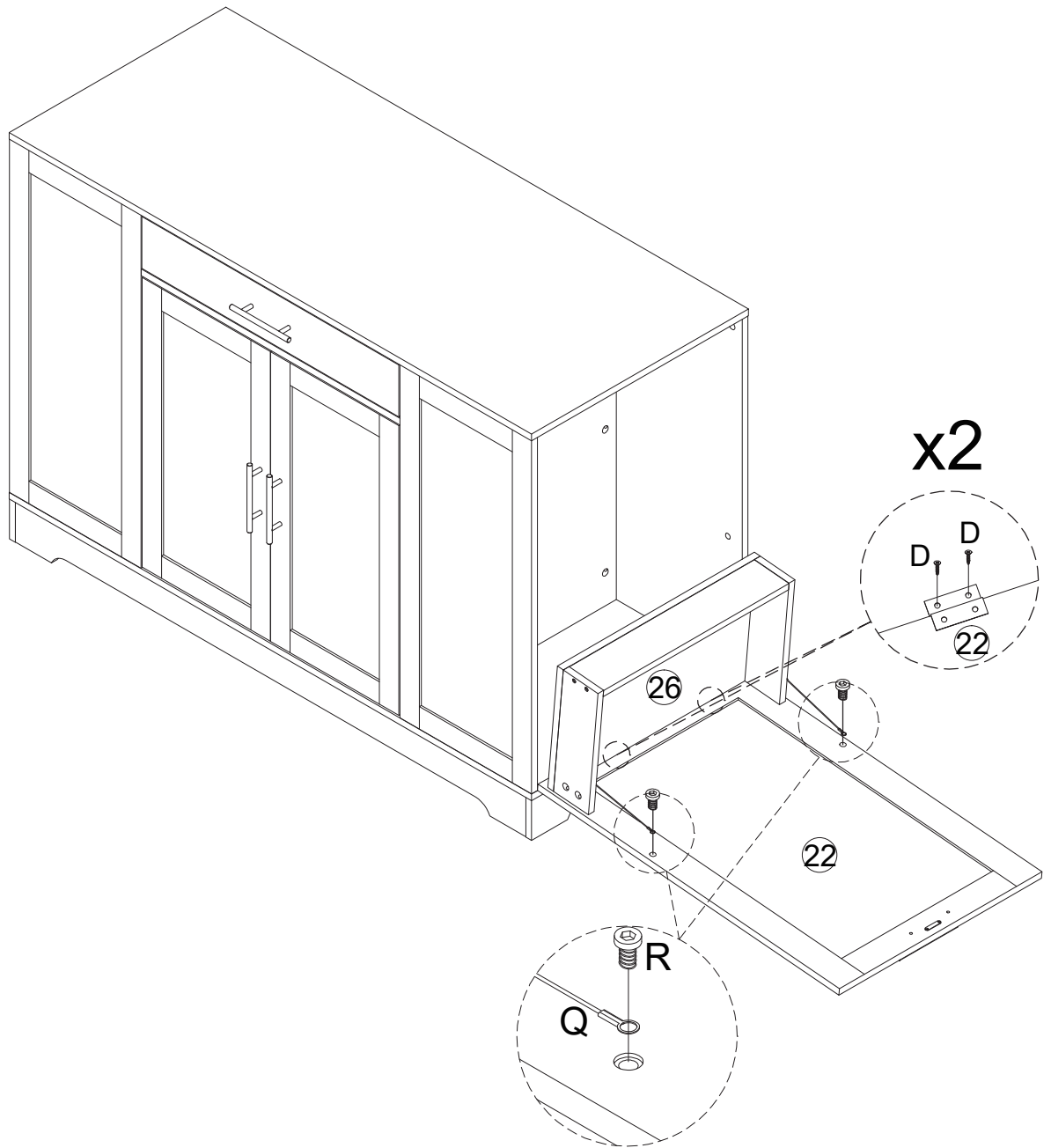


16PCS



32

D	Ø3.5*14	Q		R	M6*12
					
4PCS		2PCS		2PCS	

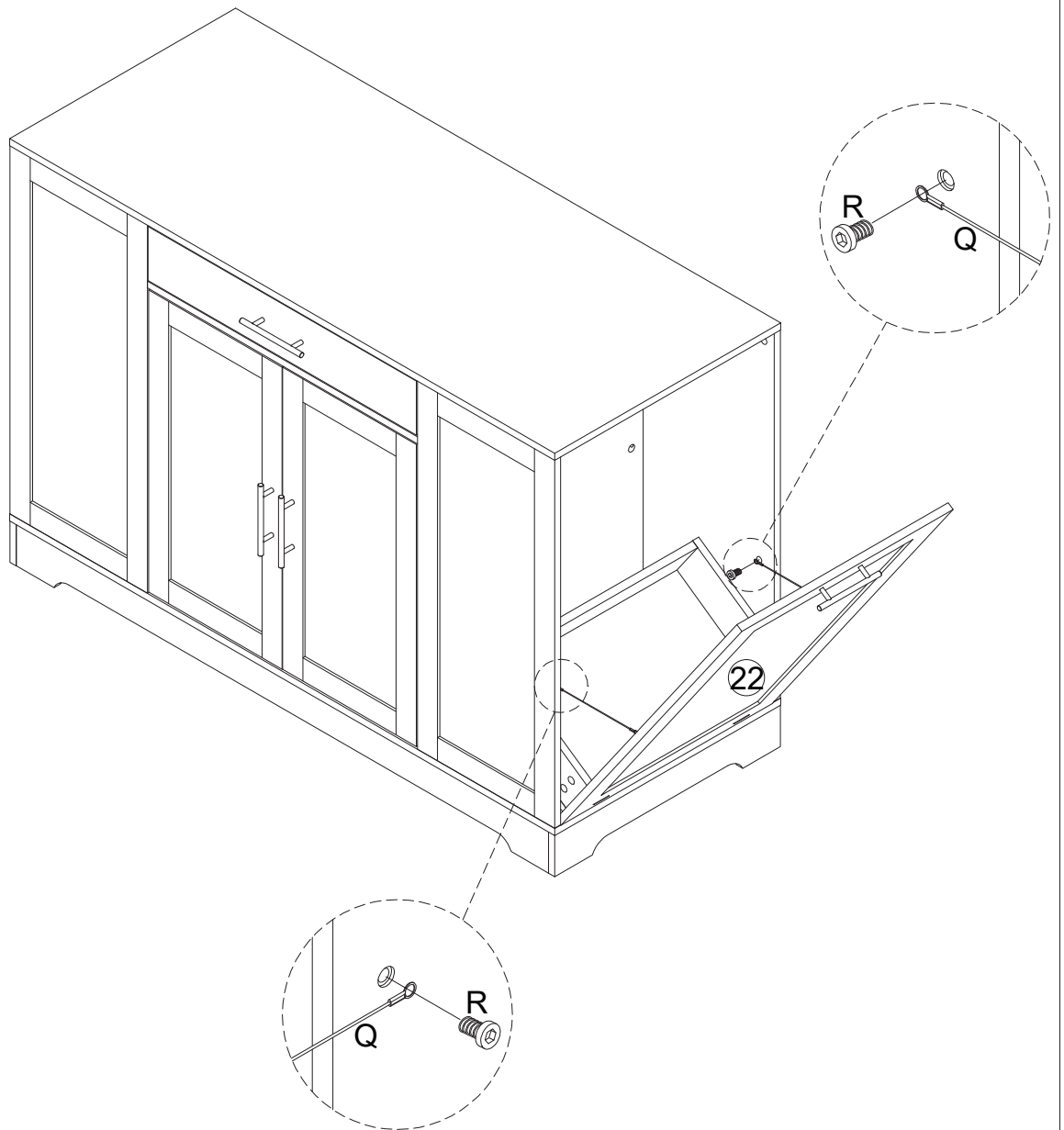


33

R M6\*12

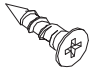


2PCS



34

L Ø3\*14



20PCS

